



Cage Unloading System



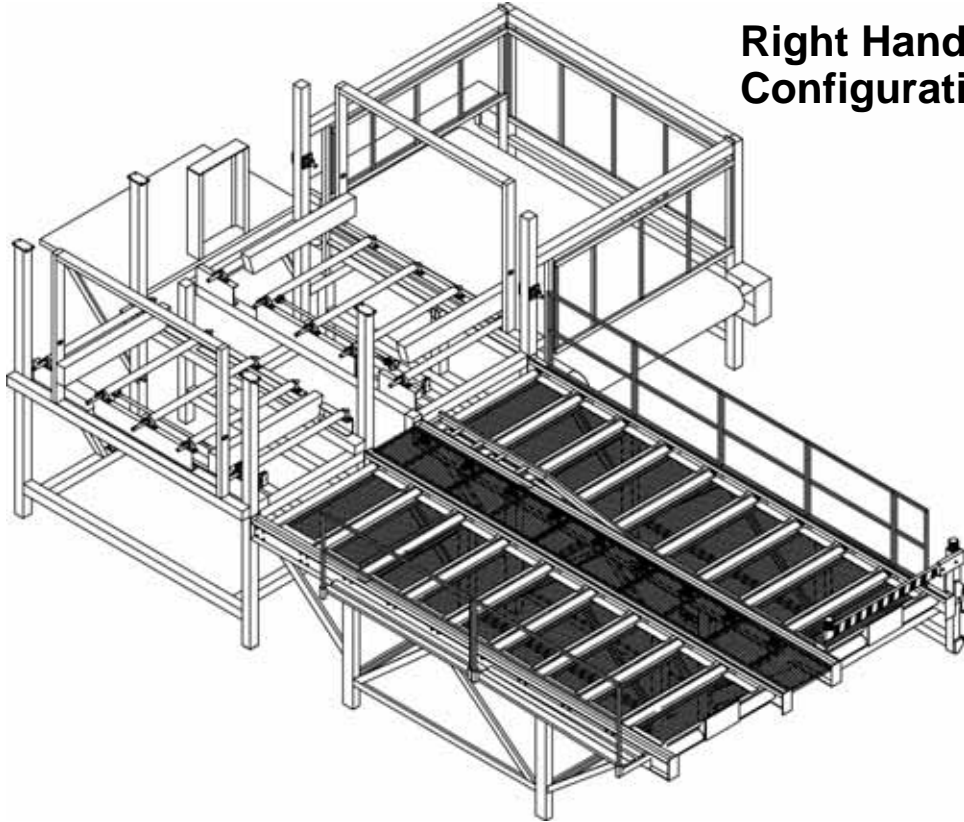
Parts Catalog

Bright Coop Inc.
803 W. Seale St.
Nacogdoches, TX 75964
Phone (936) 564-8378 Fax (936) 564-3281
Info@brightcoop.com



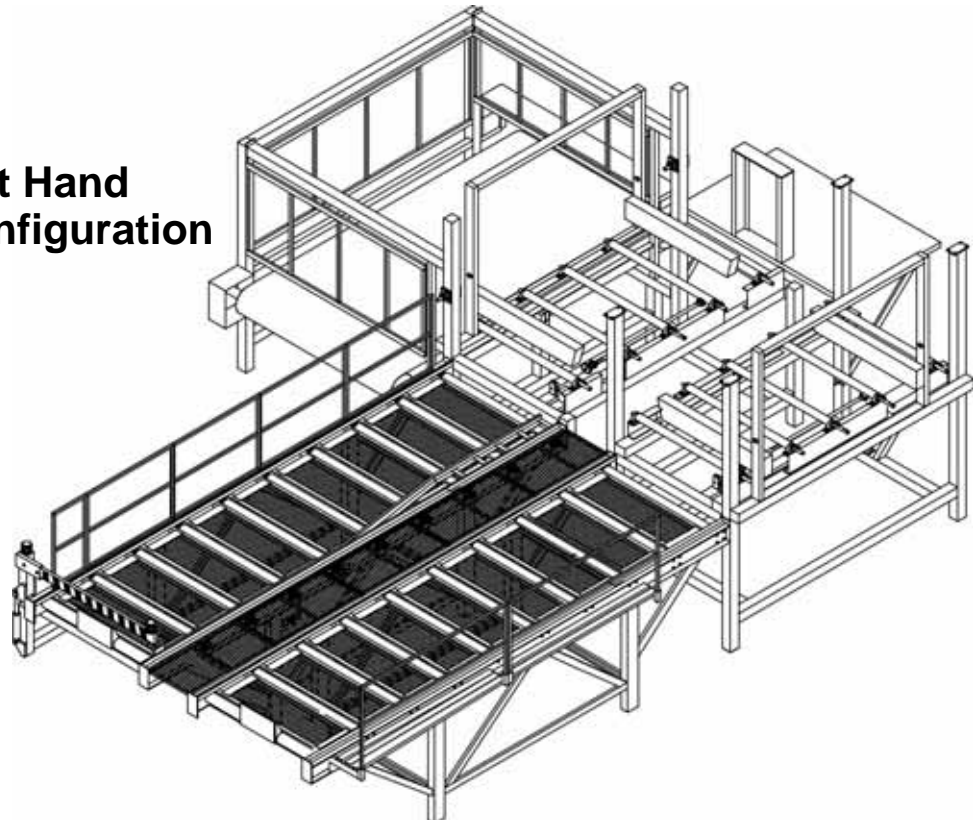
Cage Unloading System

CONFIGURATION



**Right Hand
Configuration**

**Left Hand
Configuration**



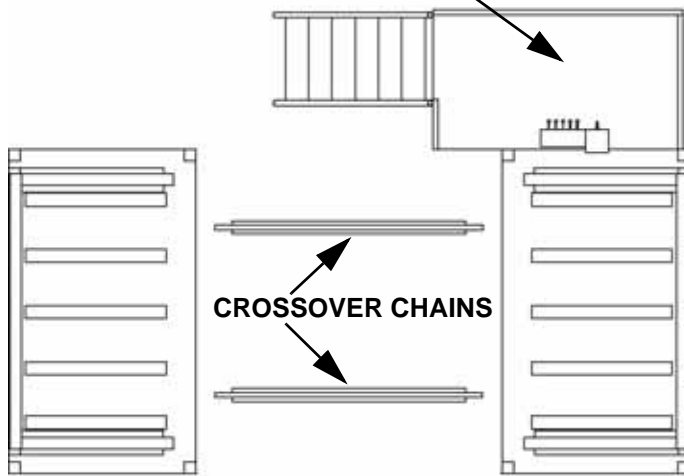


Cage Unloading System

Quick Reference

(Right Hand Side Unloading System Shown)

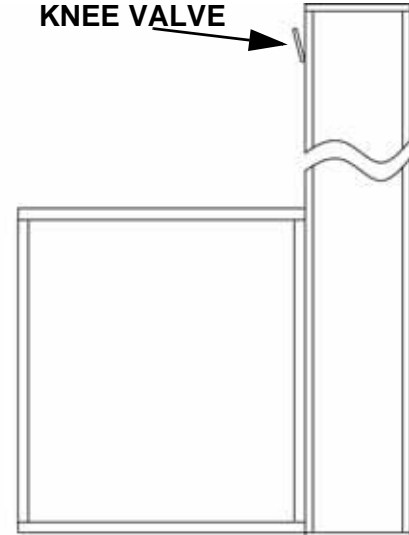
OPERATOR'S PLATFORM & CONSOLE



WASHER BOTTOM /
WASHER COMPLETE

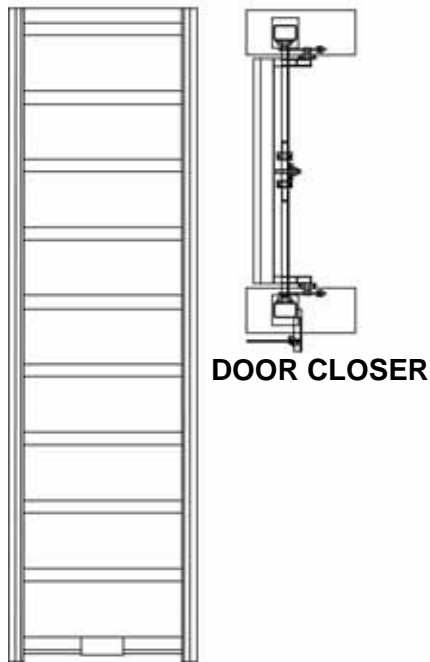
DUMPER SECTION

KNEE VALVE



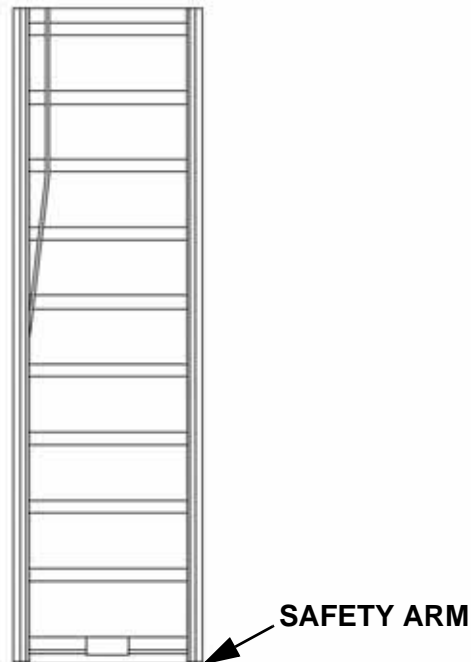
RECEIVING
BELT

HANGING
BELT



DOOR CLOSER

OUTGOING CONVEYOR



SAFETY ARM

INCOMING CONVEYOR



Cage Unloading System

Blank Page



Cage Unloading System

Tab Indexes

Parts Catalog



1	SECTION 1 INCOMING CONVEYOR
2	SECTION 2 DUMPER
3	SECTION 3 CROSSOVER CHAINS
4	SECTION 4 WASHER SYSTEM
5	SECTION 5 OUTGOING CONVEYOR
6	SECTION 6 RECEIVING & HANGING BELTS
7	SECTION 7 OPERATOR CONSOLE
8	SECTION 8 DOOR CLOSER
9	SECTION 9 SAFETY FENCE & GATES
10	SECTION 10 HYDRAULIC COMPONENTS
11	SECTION 11 SAFETY PLACARDS
12	SECTION 12 HYDRAULIC PUMPING UNIT

Bright Coop Inc.
803 W. Seale St.
Nacogdoches, TX 75964
Phone (936) 564-8378
Fax (936) 564-3281
Info@brightcoop.com



Cage Unloading System



Cage Unloading System



Section 1

Incoming Conveyor

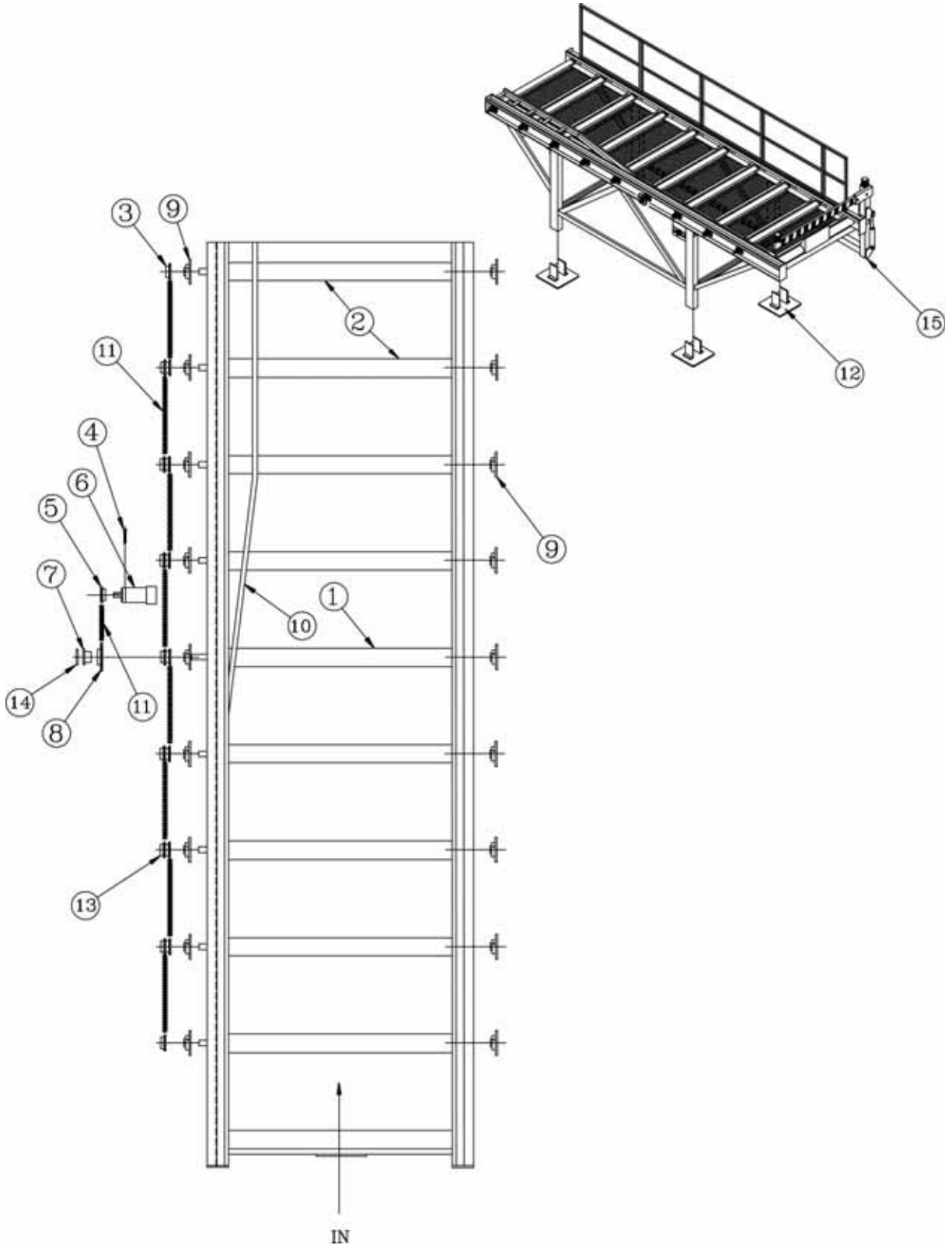
Contents

Incoming Conveyor	-----	2
Safety Arm	-----	4



Cage Unloading System

INCOMING CONVEYOR





Cage Unloading System

INCOMING CONVEYOR

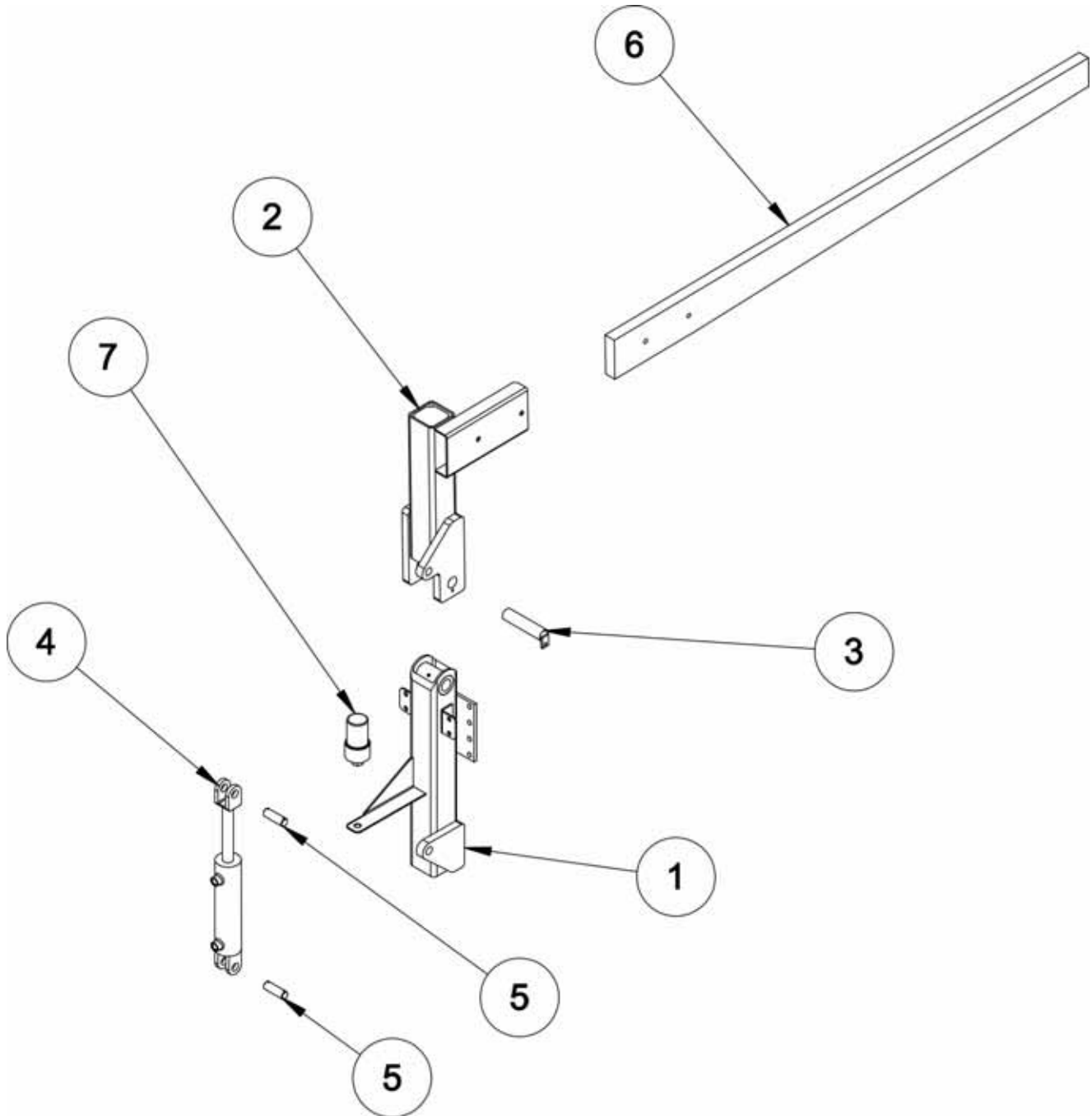
ITEM	PART NUMBER	DESCRIPTION	QTY	MODEL OR SERIAL #
1	091-00305	ROLLER, INCOMING DRIVE	1	
2	091-00306	ROLLER, INCOMING DRIVEN	8	
3	690-00005	SPROCKET, ROLLER	2	
4	210-00251	CHAIN DRIVE ADJUSTMENT, SQ. HD. SET SCREW	1	
5	690-00044	SPROCKET	1	
6	450-00004	MOTOR, HYDRAULIC	1	
7	690-00022	BUSHING, SK	1	
8	690-00014	SPROCKET	1	
9	030-00018	BEARING	18	
10	430-00046	WEAR STRIP, UHMW (OLD STYLE UNITS ONLY)	AS REQ'D	
11	110-00001	CHAIN, ROLLER	AS REQ'D	
	110-00002	MASTER LINK FOR ROLLER CHAIN	AS REQ'D	
12	410-00012	FOOT PADS, GALVANIZED, 6"	4	
13	690-00063	DOUBLE WELDED SPROCKET	7	
14	210-00364	WASHER RETAINING	1	
15	*091-10130	SAFETY ARM ASSEMBLY	1	

* See Page 4 Of This Section For Detail



Cage Unloading System

SAFETY ARM (091-10130)





Cage Unloading System

SAFETY ARM (091-10130)

ITEM	PART NUMBER	DESCRIPTION	QTY	MODEL OR SERIAL #
1	091-21803	LOWER ARM WELDMENT	1	
2	010-00086	UPPER ARM ASSEMBLY	1	
3	010-00091	ARM PIVOT PIN	1	
4	170-00002	HYDRAULIC CYLINDER	1	
5	170-00015	CYLINDER PIN	2	
6	010-00085	CROSS ARM	1	
7	190-00406	STROBE LIGHT	2	
8	190-00407	WARNING HORN (NOT SHOWN)	1	



Cage Unloading System



Cage Unloading System



Section 2

Dumper Section

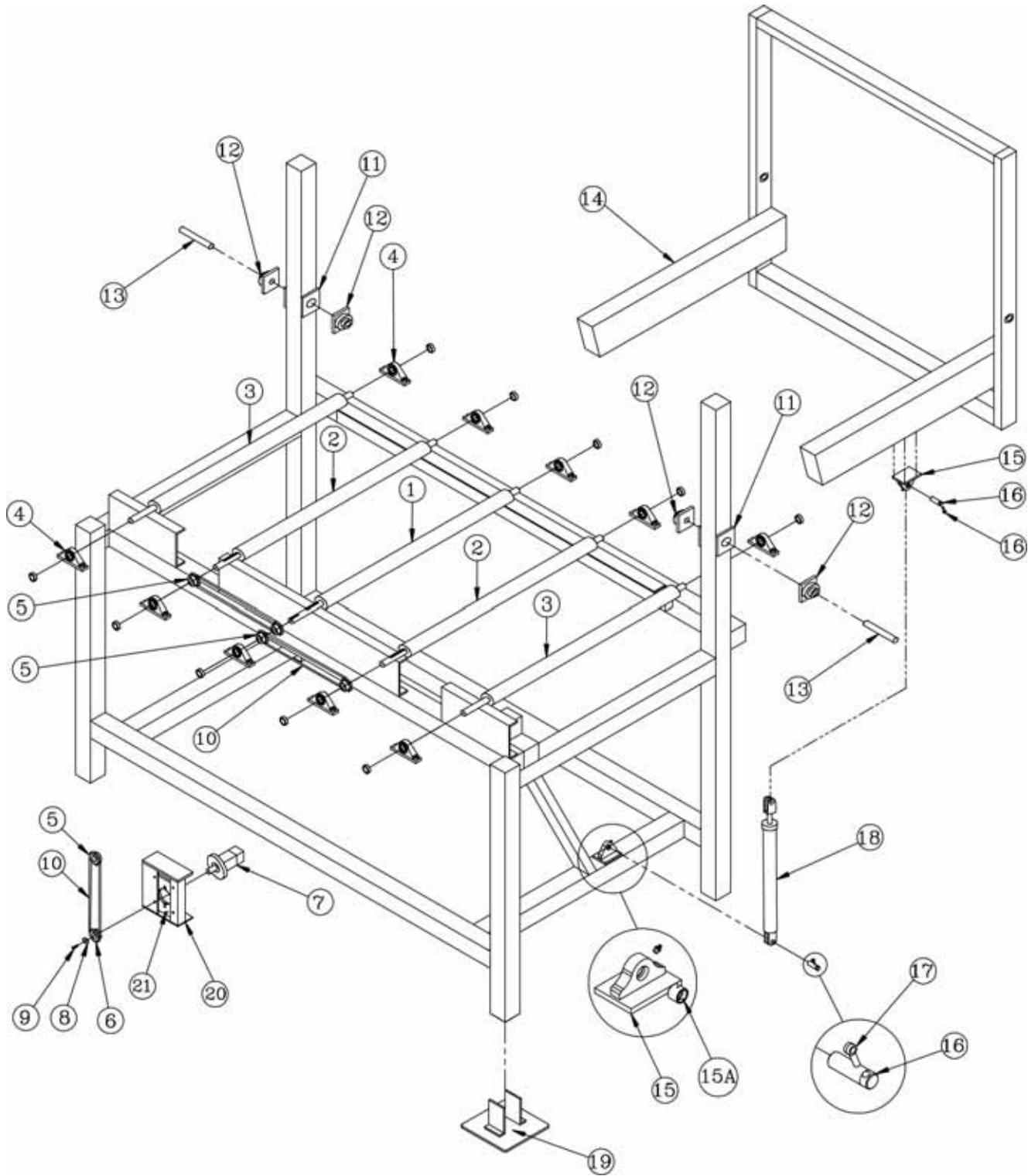
Contents

Dumper Section - - - - -	2
Dumper Slide Assembly (OLD STYLE Up to August 2011) - - - -	4
Dumper slide Assembly (NEW STYLE from October 2011) - - - -	6



Cage Unloading System

DUMPER SECTION





Cage Unloading System

DUMPER SECTION

ITEM	PART NUMBER	DESCRIPTION	QTY	MODEL OR SERIAL #
1	091-00304	ROLLER, DUMPER DRIVE 4" X 50" X 60-3/4"	1	
2	091-00309	ROLLER, DUMPER DRIVEN 4" X 50" X 58-3/4"	2	
3	091-00309	ROLLER, DUMPER IDLER 4" X 50" X 58-3/4"	2	
4	030-00021	BEARING, PILLOW BLOCK, 1-7/16"	10	
5	690-00004	SPROCKET, 60BS13 1-7/16" BORE, 3/8" KEY	5	
6	690-00003	SPROCKET, 60BS13 1-1/4" BORE, 5/16" KEY	1	
7	450-00004	MOTOR, HYDRAULIC	1	
8	210-00364	WASHER, RETAINING	1	
9	210-00078	BOLT, 3/8" X 1"	1	
10	110-00001	CHAIN, ROLLER, #60 (AS REQUIRED)		
11	410-00019	PLATE, BEARING MOUNT, FY 1-7/16" 4 BOLT FLANGE	4	
12	030-00018	BEARING, FY 1-7/16" 4 BOLT FLANGE	4	
13	670-00018	SHAFT, CRADLE HINGE PIN	2	
14	*010-00003	CRADLE, CAGE DUMP, WITH HINGE PINS (LEFT HAND ASSEMBLY)	1	
	*010-00004	CRADLE, CAGE DUMP, WITH HINGE PINS (RIGHT HAND ASSEMBLY)	1	
15	091-21235	CYLINDER ANCHOR ASSEMBLY (INCLUDES ITEM 15A)	4	
15A	091-20066	BUSHING	4	
16	098-01483	CYLINDER PIN	4	
17	098-01482	PIN HOLDER	4	
18	170-00001	CYLINDER, DUMP CRADLE, WC 2.5 X 24	2	
19	410-00011	FOOT PAD, GALVANIZED, 4"	2	
20	410-00016	MOTOR BOX	1	
21	410-00018	MOTOR PLATE	1	
32	810-00060	SUB-PLATE		

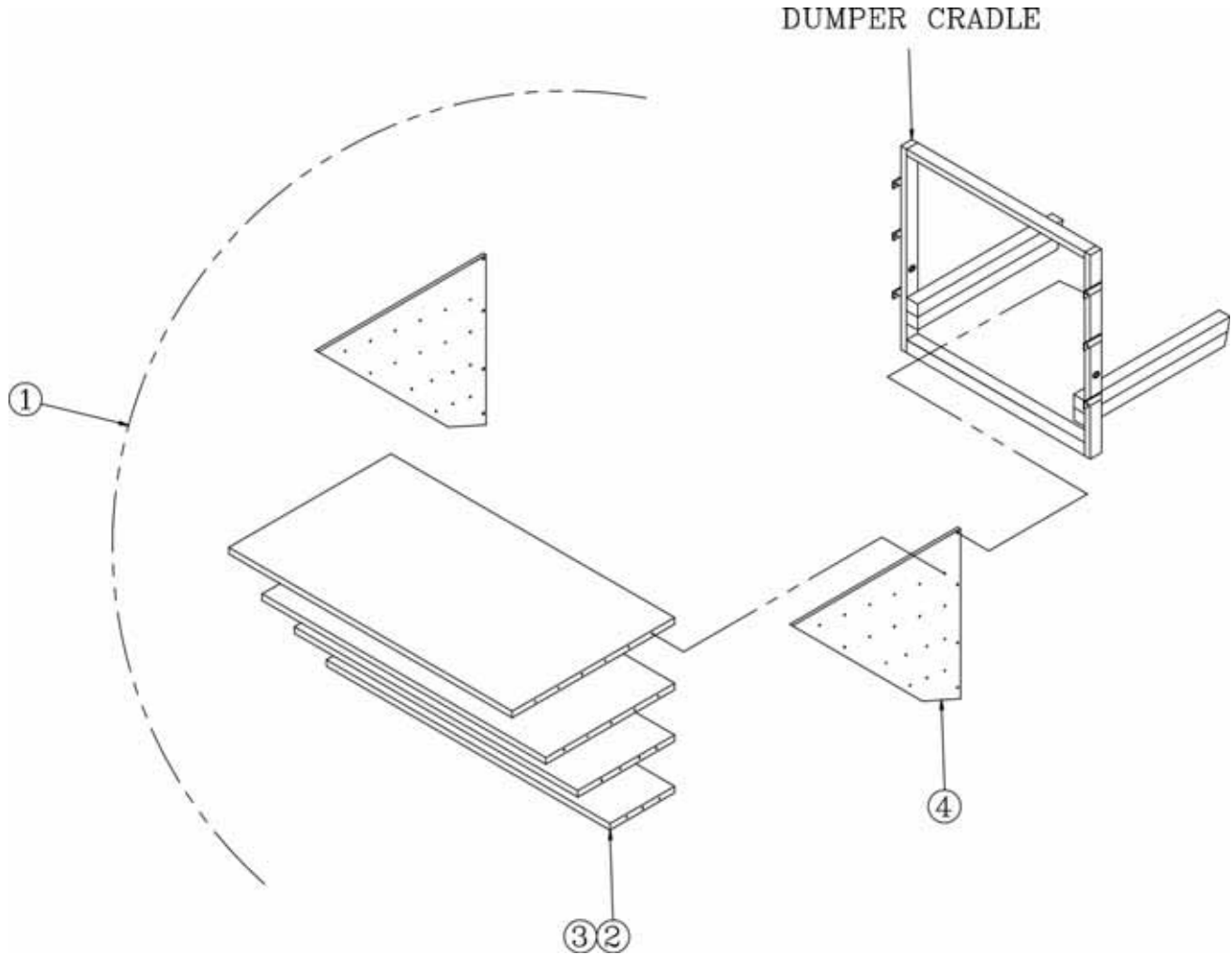
* See Unloading System Configuration For RHS or LHS

Note: See Section 10 for Anti-Shaking Device and/or Check Valves.



Cage Unloading System

DUMPER SLIDE ASSEMBLY (Old Style Up To August 2011)





Cage Unloading System

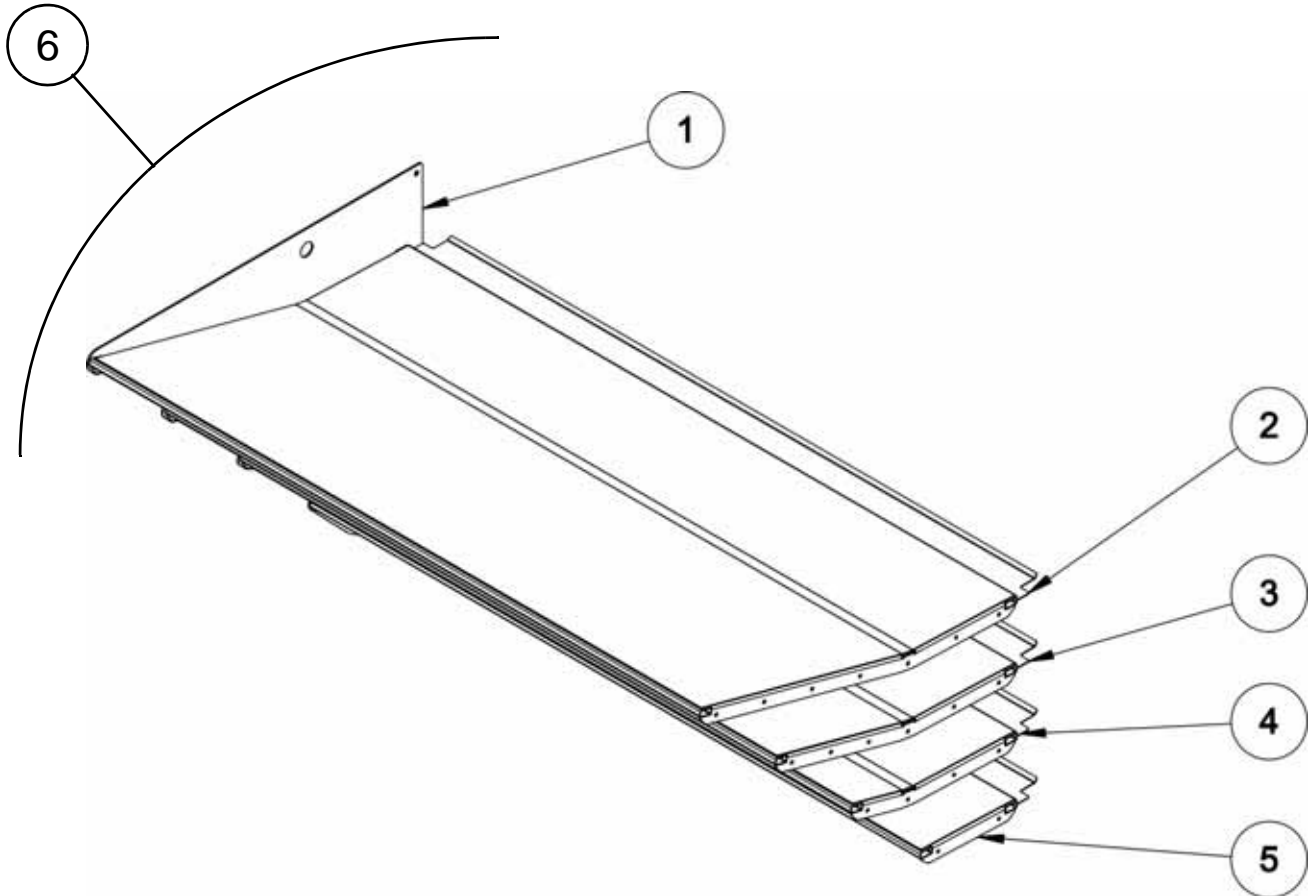
DUMPER SLIDE ASSEMBLY (Old Style Up To August 2011)

ITEM	PART NUMBER	DESCRIPTION	QTY	MODEL OR SERIAL #
1	091-11010	DUMPER STAINLESS STEEL SLIDE KIT (FRAME AND WINGS GALVANIZED) (INCLUDES ITEMS 2,3 & 4)	1	
2	091-11010A	SLIDE FRAME KIT (SET OF 4)	1	
3	091-11010B	STAINLESS STEEL SLIDE KIT (SET OF 4)	1	
4	091-11010C	SLIDE WING KIT (SET OF 2)	1	



Cage Unloading System

DUMPER SLIDE ASSEMBLY (from October 2011)





Cage Unloading System

DUMPER SLIDE ASSEMBLY (from October 2011)

ITEM	PART NUMBER	DESCRIPTION	QTY	MODEL OR SERIAL #
1	091-20333	WING FOR 45° TILT SLIDES	2	
2	091-21241	FIRST SLIDE (TOP)	1	
3	091-21242	SECOND SLIDE	1	
4	091-21243	THIRD SLIDE	1	
5	091-21244	FOURTH SLIDE (BOTTOM)	1	
6	091-21240	SLIDES AND WING ASSEMBLY (COMPLETE)	1	



Cage Unloading System



Cage Unloading System



Section 3

Crossover Chains

Contents

Crossover Chain Assembly	- - - - -	2
Crossover Chain Drive	- - - - -	4



Cage Unloading System

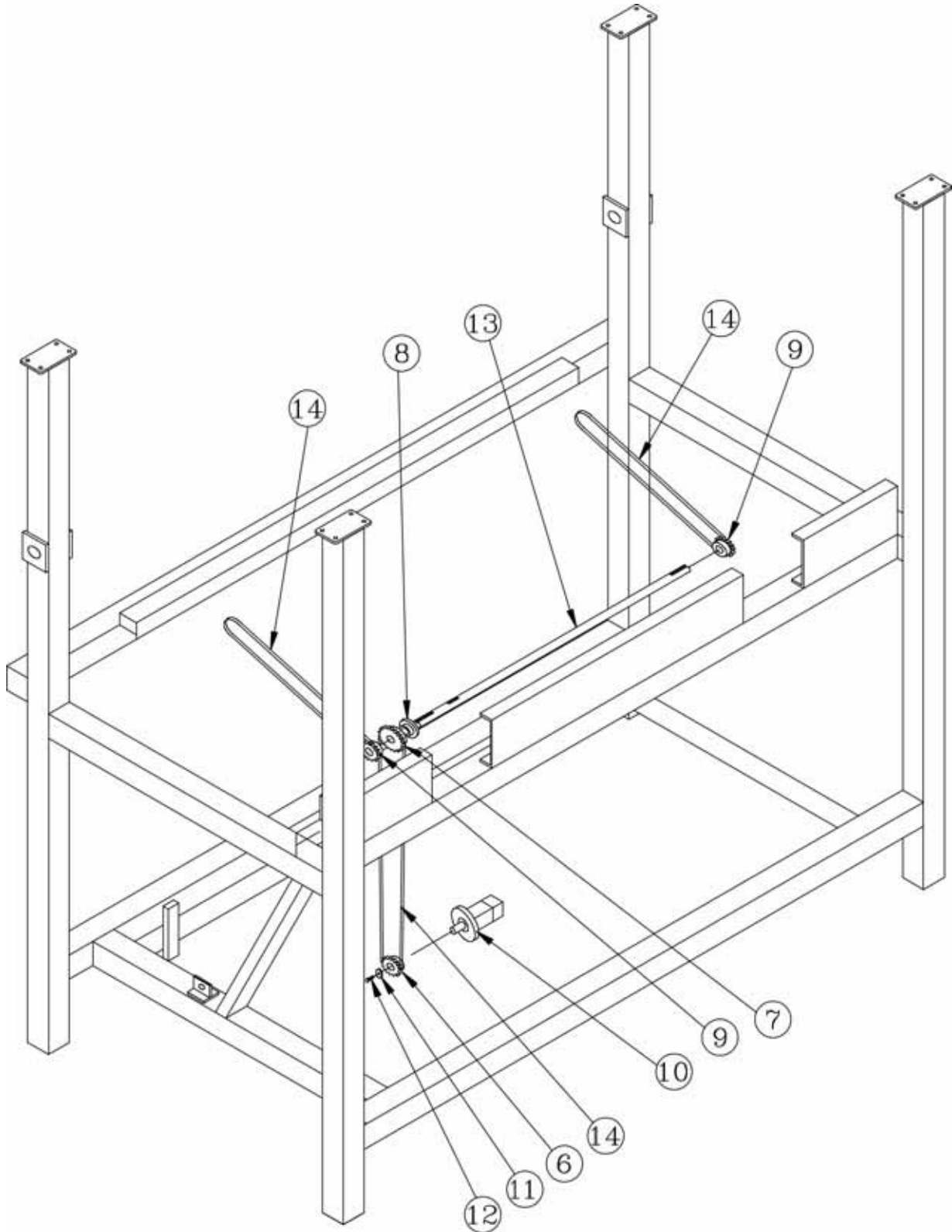
CROSSOVER CHAIN ASSEMBLY (*010-00007)

ITEM	PART NUMBER	DESCRIPTION	QTY	MODEL OR SERIAL #
1	670-00025	SHAFT, CROSSOVER IDLER	1	
2	670-00017	SHAFT, CROSSOVER DRIVE	1	
3	370-00007	KEY, 3/8" X 2"	2	
4	370-00013	KEY, 3/8" X 1-1/4"	1	
5	690-00016	SPROCKET, MODIFIED 80C21M	2	
6	030-00019	BEARING, FLANGE	4	
7	690-00005	SPROCKET, 60BS15, 1-7/16" BORE, 3/8" KEY	1	
8	110-00008	MASTER LINK, C2080H	2	
9	110-00030	M1 LINK, 2.5 LUG, AND PIN	2 SETS	
10	110-00022	LINK, M1	2	
11	110-00011	PIN, 3/8" X 2"	2	
12	110-00010	LUG, CROSSOVER CHAIN	2	
13	110-00006	CHAIN, C2080H	100LINKS, STD	
14	210-00253	SCREW, ADJUSTING, SQUARE HEAD 1/2" X 4"	2	
15	210-00160	NUT, JAMB, 1/2"	2	
16	410-00116	CROSSOVER CHAIN ADJUSTING LUG	2	
17	010-00140	ADJUSTABLE BEARING CARRIER PLATE	2	
17A	091-21411	ADJUSTABLE BEARING CARRIER PLATE	SET OF 2	
18	091-10320	CROSSOVER CHAIN FRAME	SET OF 2	
	*010-00007	CROSSOVER CHAIN ASSEMBLY *CROSSOVER CHAIN ASSEMBLY CONSIST OF A SET OF TWO	SET OF 2	



Cage Unloading System

CROSSOVER CHAIN DRIVE





Cage Unloading System

CROSSOVER CHAIN DRIVE

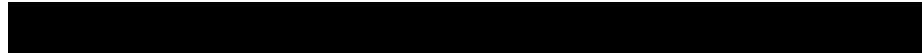
ITEM	PART NUMBER	DESCRIPTION	QTY	MODEL OR SERIAL #
6	609-00003	SPROCKET, 60 BS 13	1	
7	690-00006	SPROCKET, 60 DS 20	1	
8	690-00021	QD BUSHING SDS 1-7/16"	1	
9	690-00005	SPROCKET 60 BS 15	2	
10	450-00004	MOTOR, HYDRAULIC	1	
11	210-00364	WASHER, RETAINER	1	
12	210-00078	BOLT, 3/8" X 1"	1	
13	670-00010	SHAFT, 1-7/16" X 52"	1	
14	110-00001	CHAIN, ROLLER #60	AS REQ'D	



Cage Unloading System



Cage Unloading System



Section 4

Washer Bottom / Washer System

Contents

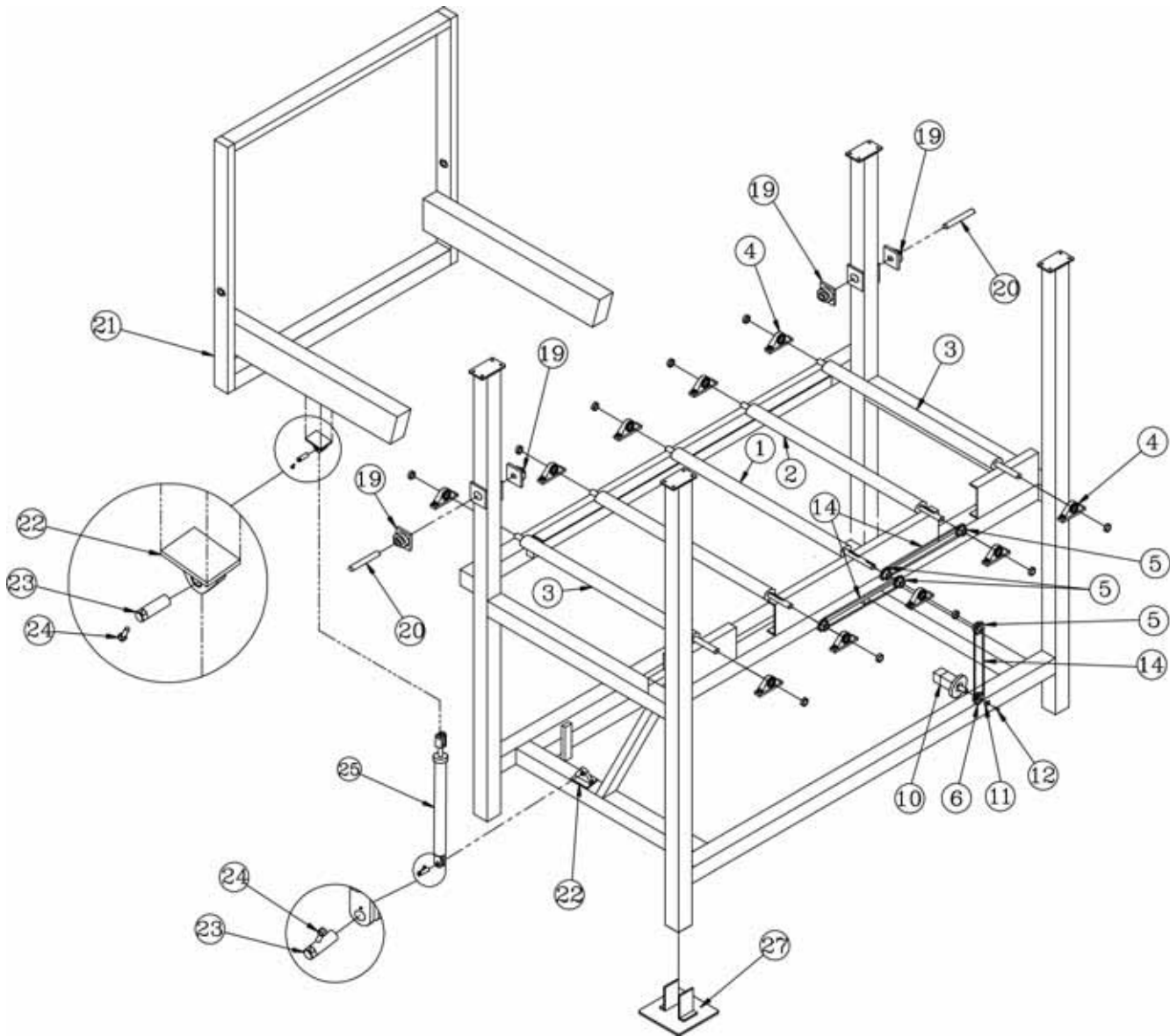
Washer Bottom - - - - -	2
Washer System - - - - -	4
Washer Mechanism Detail - - - - -	6
Washer Carriage Assembly - - - - -	8
Spray Pipe Assembly - - - - -	10
Water Pump And Tank Parts - - - - -	12

Note: See Section 10 For Hydraulic Valves.



Cage Unloading System

WASHER BOTTOM





Cage Unloading System

WASHER BOTTOM

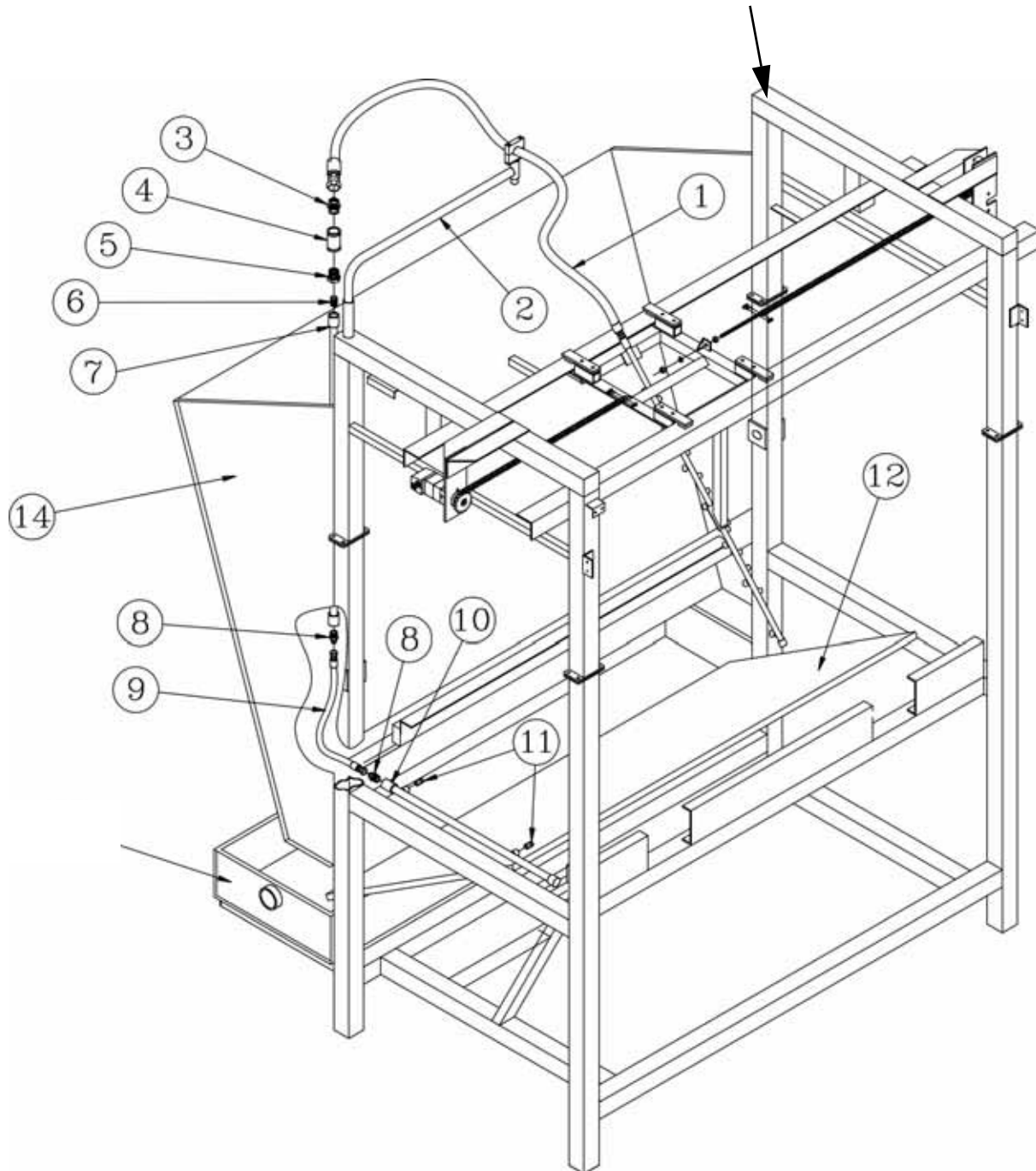
ITEM	PART NUMBER	DESCRIPTION	QTY	MODEL OR SERIAL #
1	091-00304	ROLLER, DUMPER DRIVE 4" X 50" X 60-3/4"	1	
2	091-00309	ROLLER, DUMPER DRIVEN 4" X 50" X 58-3/4"	2	
3	091-00309	ROLLER, DUMBER IDLER 4" X 50" X 58-3/4"	2	
4	030-00021	BEARING, PILLOW BLOCK, 1-7/16"	10-12	
5	690-00004	SPROCKET, 60BS13, 1-7/16" BORE, 3/8" KEY	5	
6	690-00003	SPROCKET, 60BS13, 1-1/4" BORE, 5/16" KEY	1	
10	450-00004	MOTOR, HYDRAULIC	1	
11	210-00364	WASHER, RETAINING	1	
12	210-00078	BOLT, 3/8" X 1"	1	
	210-00315	LOCK WASHER, 3/8"	2	
14	110-00001	CHAIN, ROLLER, #60	AS REQ'D	
19	030-00018	BEARING, FY 1-7/16" 4 BOLT FLANGE	4	
20	670-00018	SHAFT, CRADLE HINGE PIN	2	
21	010-00142	CRADLE, LH WASHER, WITH HINGE PINS (LEFT HAND ASSEMBLY)	1	
	101-00143	CRADLE, RH WASHER, WITH HINGE PINS (RIGHT HAND ASSEMBLY)	1	
22	091-21235	CYLINDER ANCHOR ASSEMBLY	4	
22A	091-20066	BUSHING	4	
23	098-01483	CYLINDER PIN	4	
24	098-01482	PIN HOLDER	4	
25	170-00001	CYLINDER, DUMP CRADLE	2	
27	410-00011	FOOT PADS, GALVANIZED, 4"	4	



Cage Unloading System

WASHER SYSTEM

See Washer
Mechanism Detail





Cage Unloading System

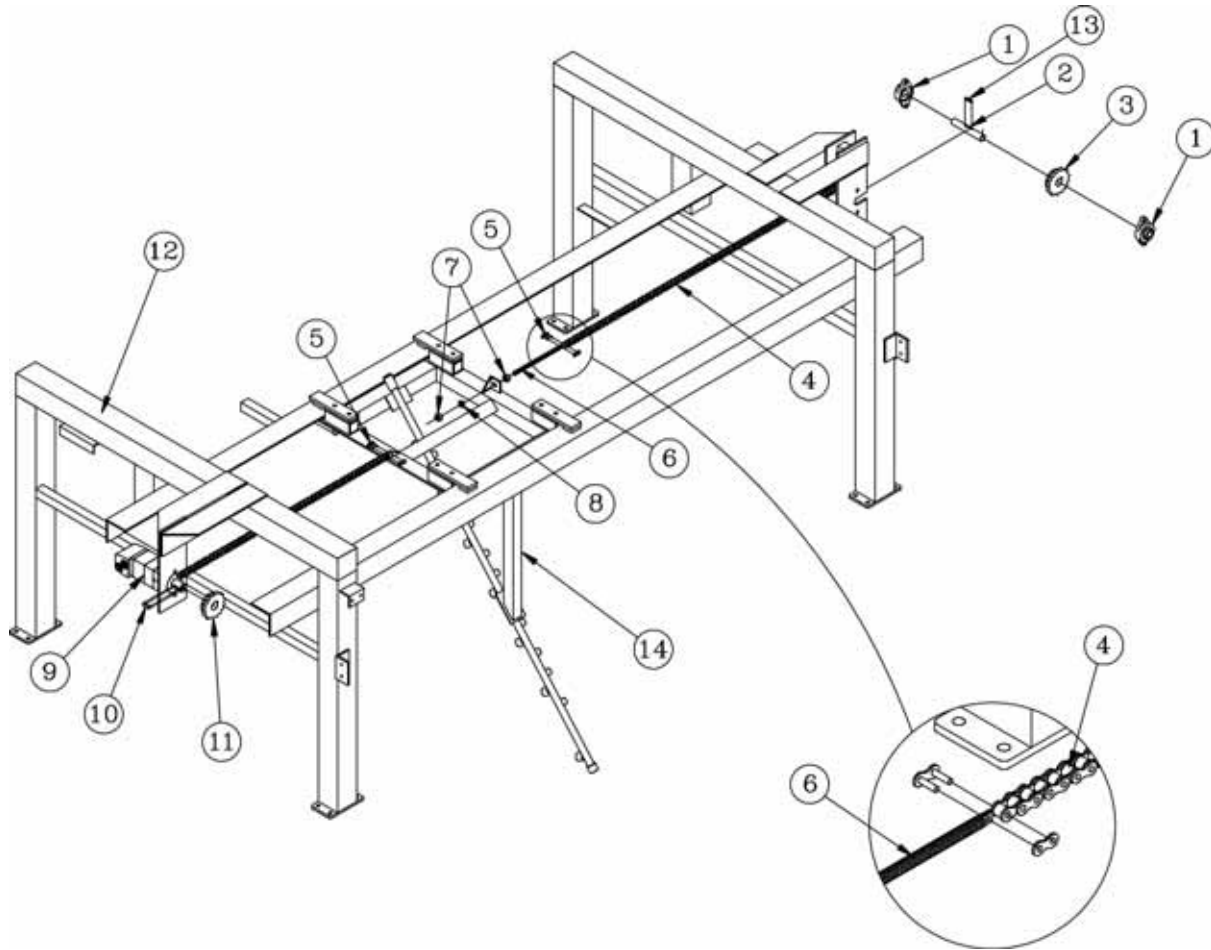
WASHER SYSTEM

ITEM	PART NUMBER	DESCRIPTION	QTY	MODEL OR SERIAL #
1	340-00020	WASHER CARRIAGE HOSE	1	
2	010-00094	HOSE SUPPORT	1	
3	330-00013	1 1/2" MPT X JIC HOSE ADAPTER	1	
4	510-00096	1 1/2" TEE	1	
5	510-00010	1 1/2" X 1" BUSHING	1	
6	510-00062	1" NIPPLE	1	
7	010-00095	VERTICAL PIPE ASSEMBLY	1	
8	330-00040	1" MPT X 3/4" JIC ADAPTER	2	
9	340-00004	BOTTOM SPRAY PIPE CONNECTOR HOSE ASSEMBLY	1	
10	010-00096	BOTTOM SPRAY PIPE	1	
11	510-00076	FORK TUBE SPRAY NOZZLES	2	
12	010-00097	BOTTOM WATER SHIELD ASSEMBLY	1	
13	010-00099	TROUGH	1	
14	010-00098	SPLASH SHIELD ASSEMBLY	1	



Cage Unloading System

WASHER MECHANISM DETAIL





Cage Unloading System

WASHER MECHANISM DETAIL

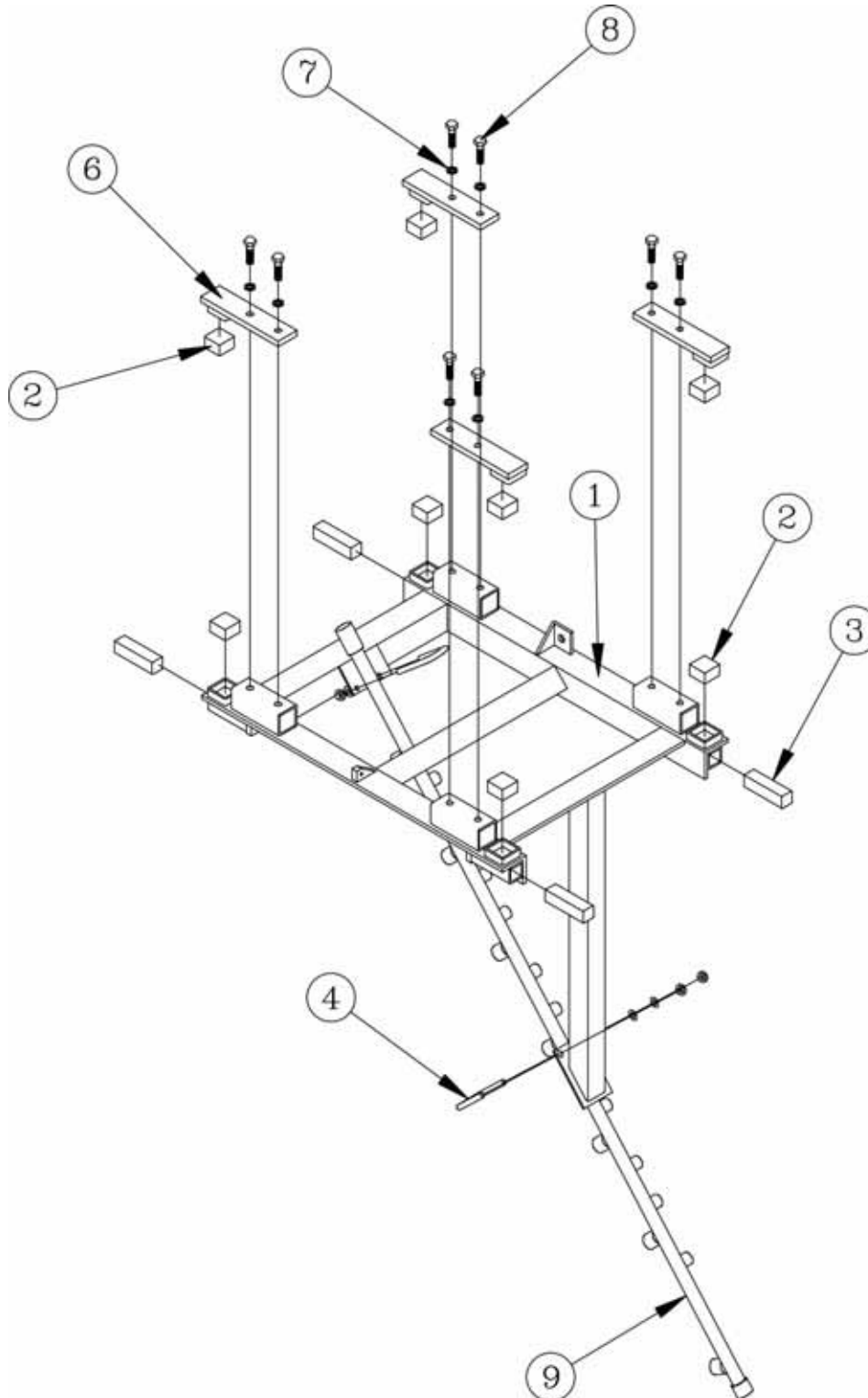
ITEM	PART NUMBER	DESCRIPTION	QTY	MODEL OR SERIAL #
1	030-00025	BEARING, 2 BOLT FLANGE	2	
2	410-00207	IDLER SHAFT, WASHER	1	
3	690-00045	IDLER SPROCKET	1	
4	110-00001	DRIVE CHAIN	AS REQUIRED	
5	110-00002	CONNECT LINK	2	
6	410-00208	ADJUSTMENT ROD	1	
7	210-00179	NUT	2	
8	210-00322	LOCK WASHER	1	
9	450-00004	HYDRAULIC MOTOR	1	
10	370-00017	KEY	1	
11	690-00044	DRIVE SPROCKET	1	
12	010-00030	WASHER TOP, COMPLETE	AS REQUIRED	
13	370-00016	KEY	1	
14	010-00010	CARRIAGE ASSEMBLY WITH OUT SPRAY PIPE	1	

* See Carriage Assembly For Detail



Cage Unloading System

WASHER CARRIAGE ASSEMBLY





Cage Unloading System

WASHER CARRIAGE ASSEMBLY

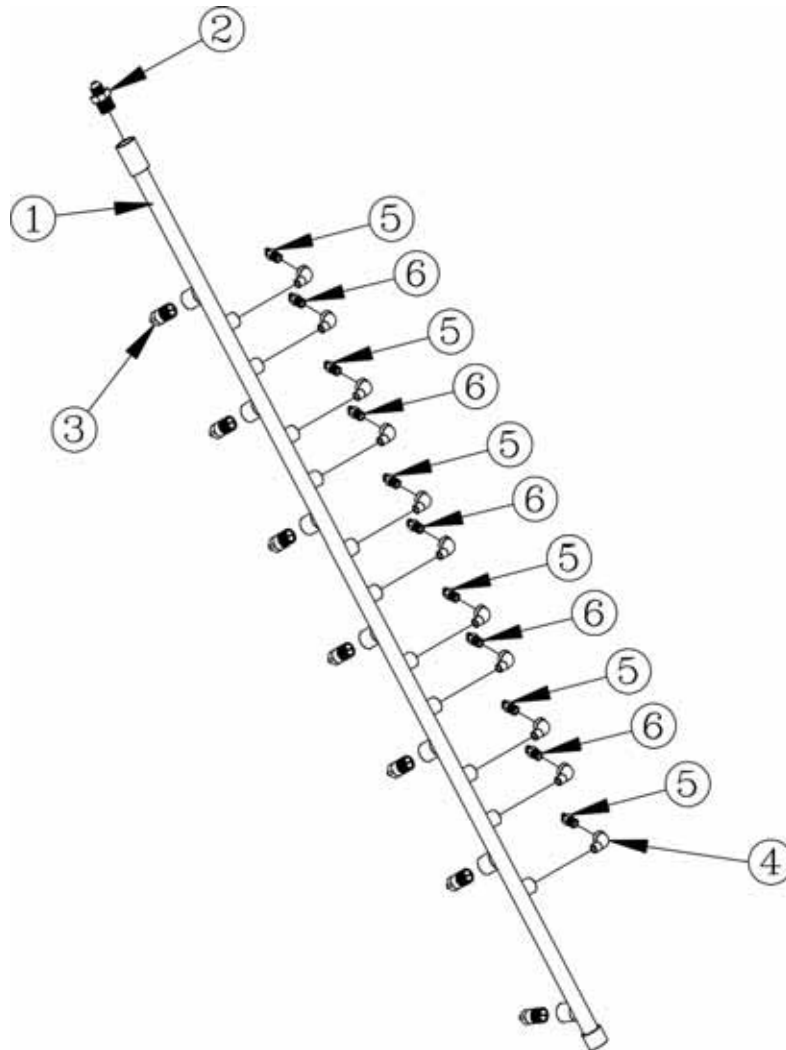
ITEM	PART NUMBER	DESCRIPTION	QTY	MODEL OR SERIAL #
1	010-00100	CARRIAGE ASSEMBLY, COMPLETE NO SPRAY PIPE	1	
2	410-00266	UHMW WEAR PAD	8	
3	410-00267	UHMW THRUST BLOCK	4	
4	210-00386	U-BOLT	2	
6	010-00102	TOP ARM	4	
7	210-00308	LOCK WASHER	8	
8	210-00019	BOLT	8	
9*	010-00101A	SPRAY PIPE ASSEMBLY	1	

* See Spray Pipe Assembly For Detail



Cage Unloading System

SPRAY PIPE ASSEMBLY





Cage Unloading System

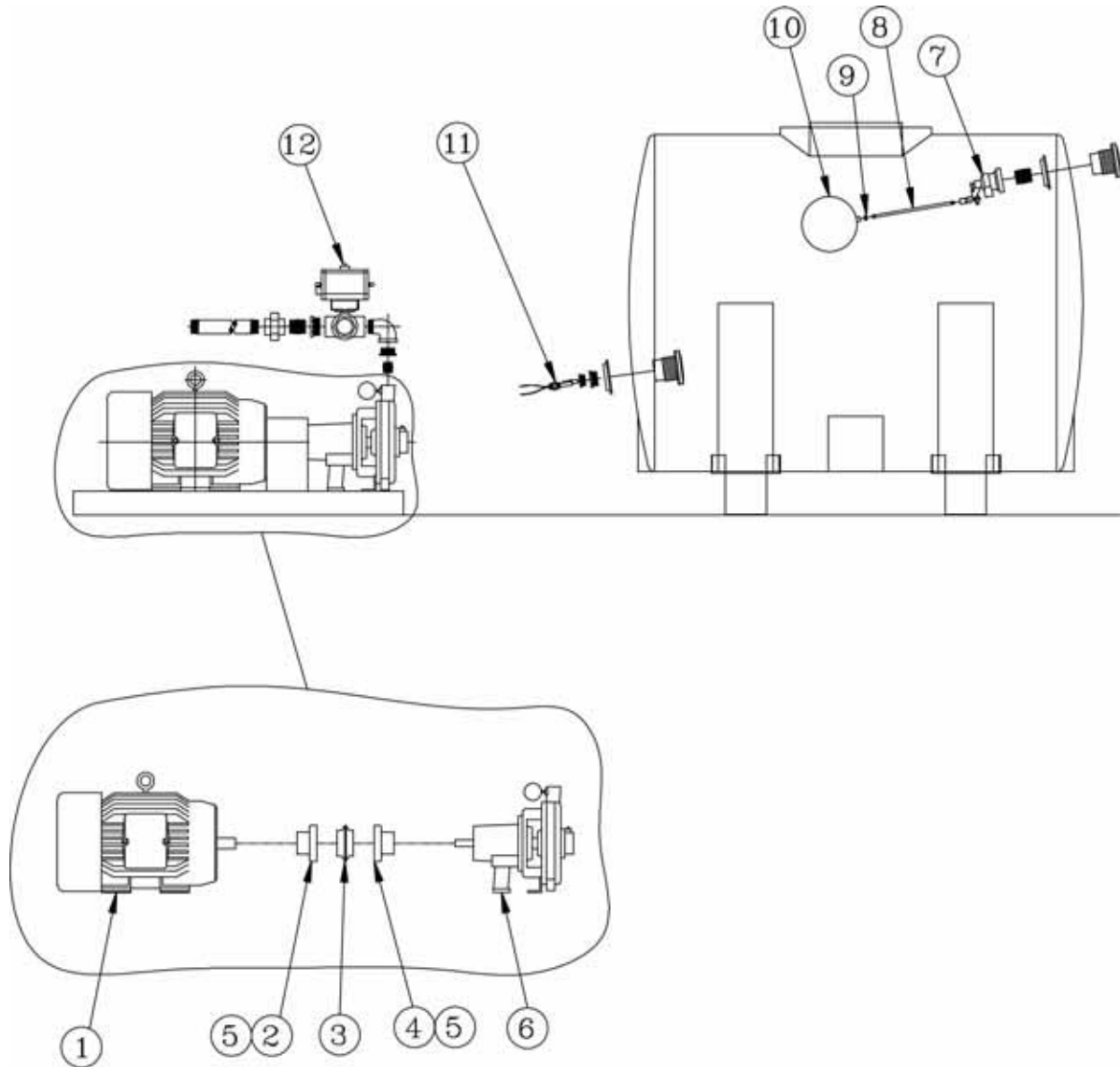
SPRAY PIPE ASSEMBLY

ITEM	PART NUMBER	DESCRIPTION	QTY	MODEL OR SERIAL #
1	010-00101A	SPRAY PIPE, COMPLETE	AS REQUIRED	
1	010-00101	SPRAY PIPE WITH ANVILETTES - NO NOZZLES OR ELLS	AS REQUIRED	
2	330-00013	MPT X JIC ADAPTER	1	
3	510-00076	FULL JET NOZZLE	7	
4	510-00093	STREET ELL	11	
5	510-00078	NOZZLE, FAN PATTERN	6	
6	510-00077	NOZZLE, CONICAL PATTERN	5	



Cage Unloading System

WATER PUMP AND TANK PARTS





Cage Unloading System

WATER PUMP AND TANK PARTS

ITEM	PART NUMBER	DESCRIPTION	QTY	MODEL OR SERIAL #
1	450-00056	30HP BALDOR MOTOR	1	
2	530-00022	HUB (MOTOR SIDE)	1	
3	530-00023	RUBBER INSERT FOR COUPLING	1	
4	530-00021	HUB (PUMP SIDE)	1	
5	530-00020	FLANGE FOR COUPLING	2	
6	530-00032	WATER PUMP	1	
7	430-00111	2" FLOAT VALVE	1	
8	430-00113	FLOAT ROD (1/8" NPT X 12" LG)	8	
9	430-00114	BRASS PIPE FITTING 3/8" X 1/8" NPT	1	
10	430-00112	FLOAT (3/8" NPT X 8" SPHERICAL)	1	
11	250-00003	LIQUID LEVEL SWITCH	1	
12	810-00162	3 WAY VALVE	1	



Cage Unloading System



Cage Unloading System



Section 5

Outgoing Conveyor

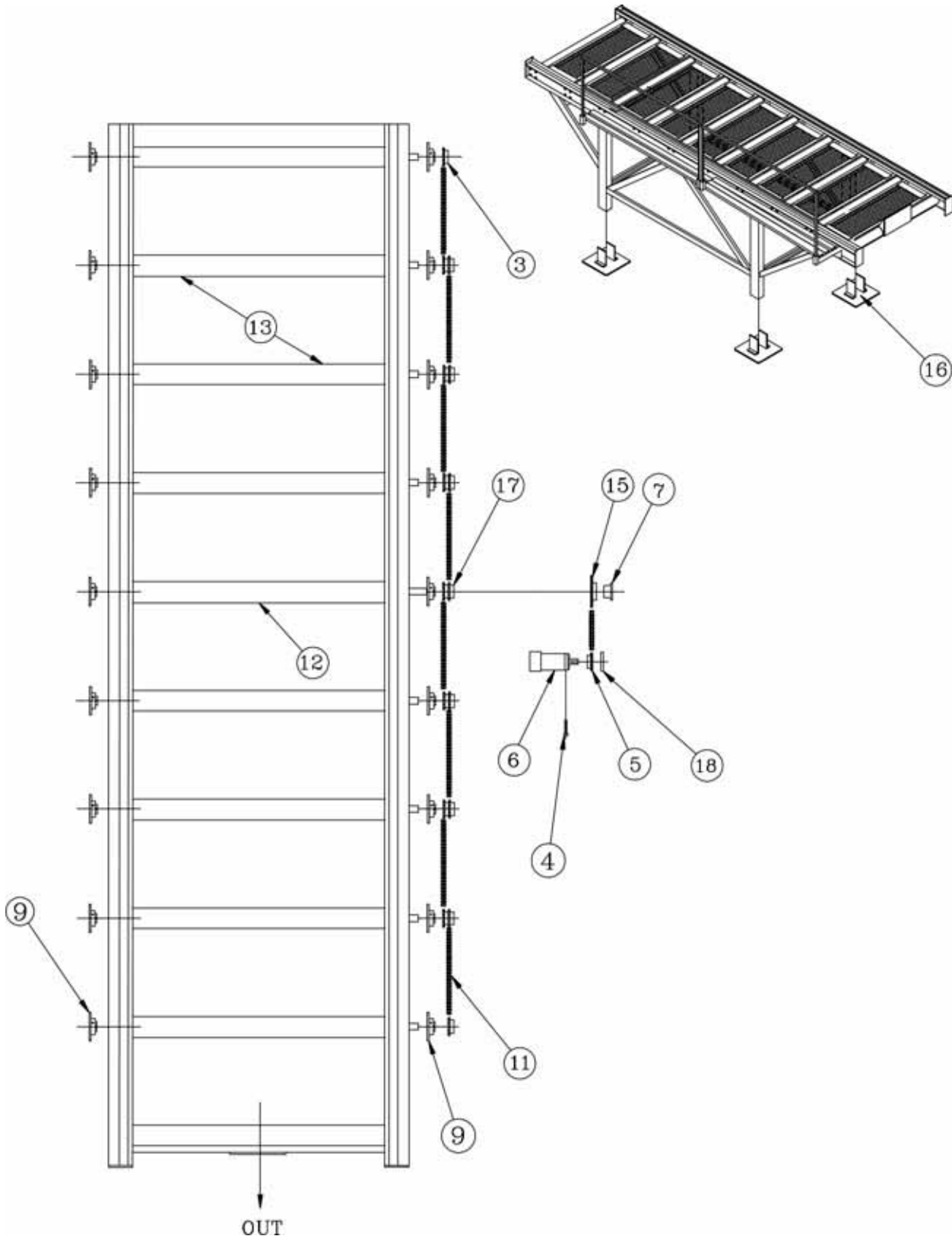
Contents

Outgoing Conveyor - - - - -	2
Outgoing Safety Stop - - - - -	4



Cage Unloading System

OUTGOING CONVEYOR





Cage Unloading System

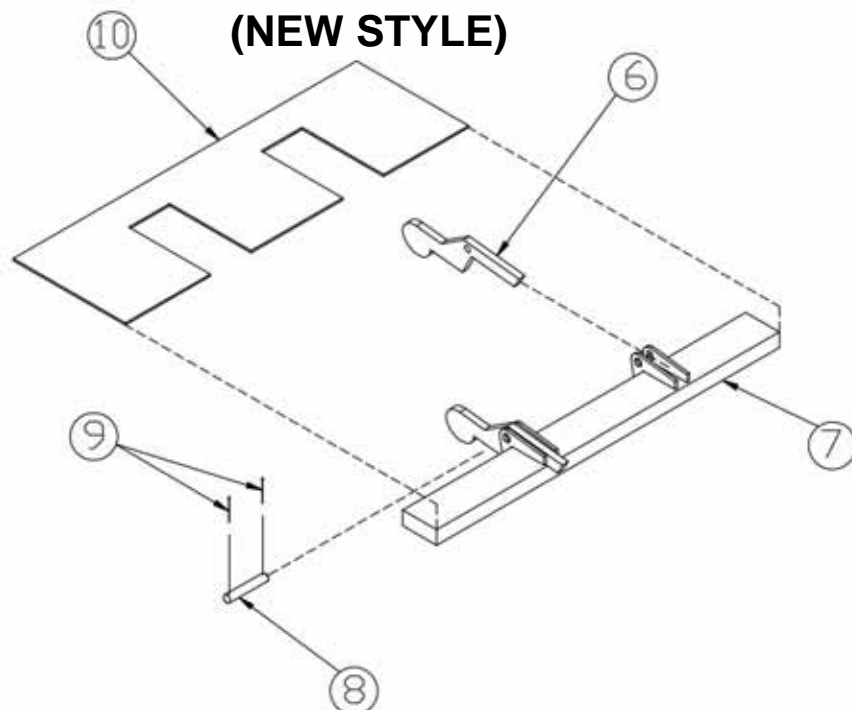
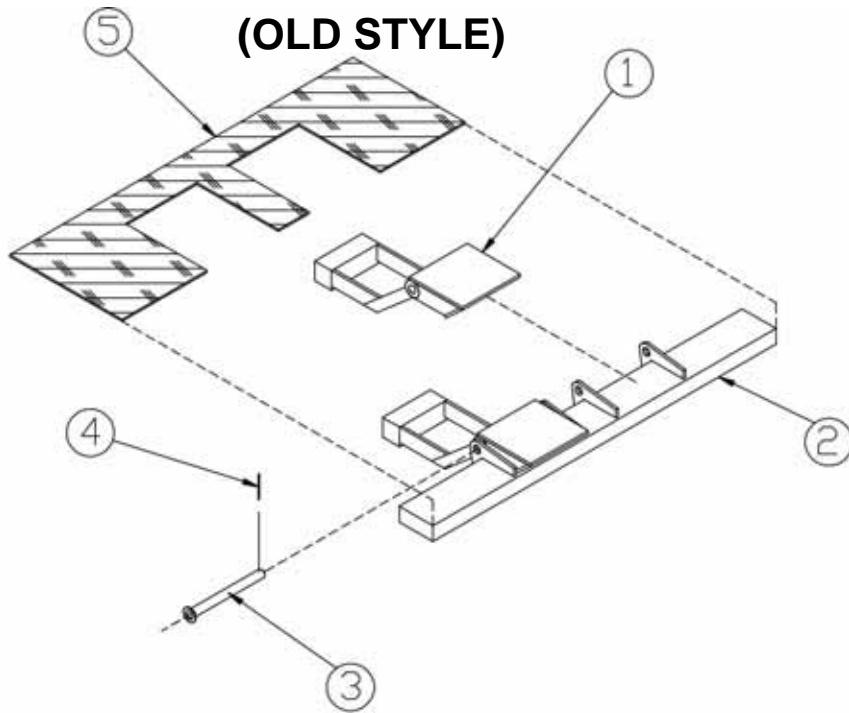
OUTGOING CONVEYOR

ITEM	PART NUMBER	DESCRIPTION	QTY	MODEL OR SERIAL #
3	690-00005	SPROCKET	2	
4	210-00251	CHAIN DRIVE ADJUSTMENT, SQ. HD. SET SCREW	1	
5	690-00044	SPROCKET	1	
6	450-00004	MOTOR, HYDRAULIC	1	
7	690-00021	BUSHING SDS	1	
9	030-00018	BEARING	18	
11	110-00001	CHAIN, ROLLER	AS REQ'D	
	110-00002	MASTER LINK FOR ROLLER CHAIN	AS REQ'D	
12	091-00307	ROLLER, OUTGOING DRIVE	1	
13	091-00308	ROLLER, OUTGOING DRIVEN	8	
15	690-00006	60 SDS 20	1	
16	410-00012	FOOT PADS, GALVANIZED, 6"	4	
17	690-00063	DOUBLE WELDED SPROCKET	7	
18	210-00364	WASHER RETAINING	1	



Cage Unloading System

OUTGOING SAFETY STOP





Cage Unloading System

OUTGOING SAFETY STOP

ITEM	PART NUMBER	DESCRIPTION	QTY	MODEL OR SERIAL #
1	010-00105	SAFETY STOP	2	
2	010-00104	SUPPORT	1	
3	670-00054	PIN	2	
4	210-00147	COTTER PIN	2	
5	010-00106	FLOOR PLATE	1	
6	D 70014	SAFETY STOP	2	
7		SUPPORT	1	
8	170-00015	PIN	2	
9	210-00147	COTTER PIN	2	
10	D 20014	FLOOR PLATE	1	



Cage Unloading System



Cage Unloading System

Section 6

Receiving and Hanging Belts

Contents

Receiving Belt

88" INTRALOX [®] Belt - - - - -	2
108" INTRALOX [®] Belt- - - - -	4
88" PVC Belt - - - - -	6
2 INTRALOX [®] BELTS- - - - -	8
2 PVC BELTS- - - - -	10

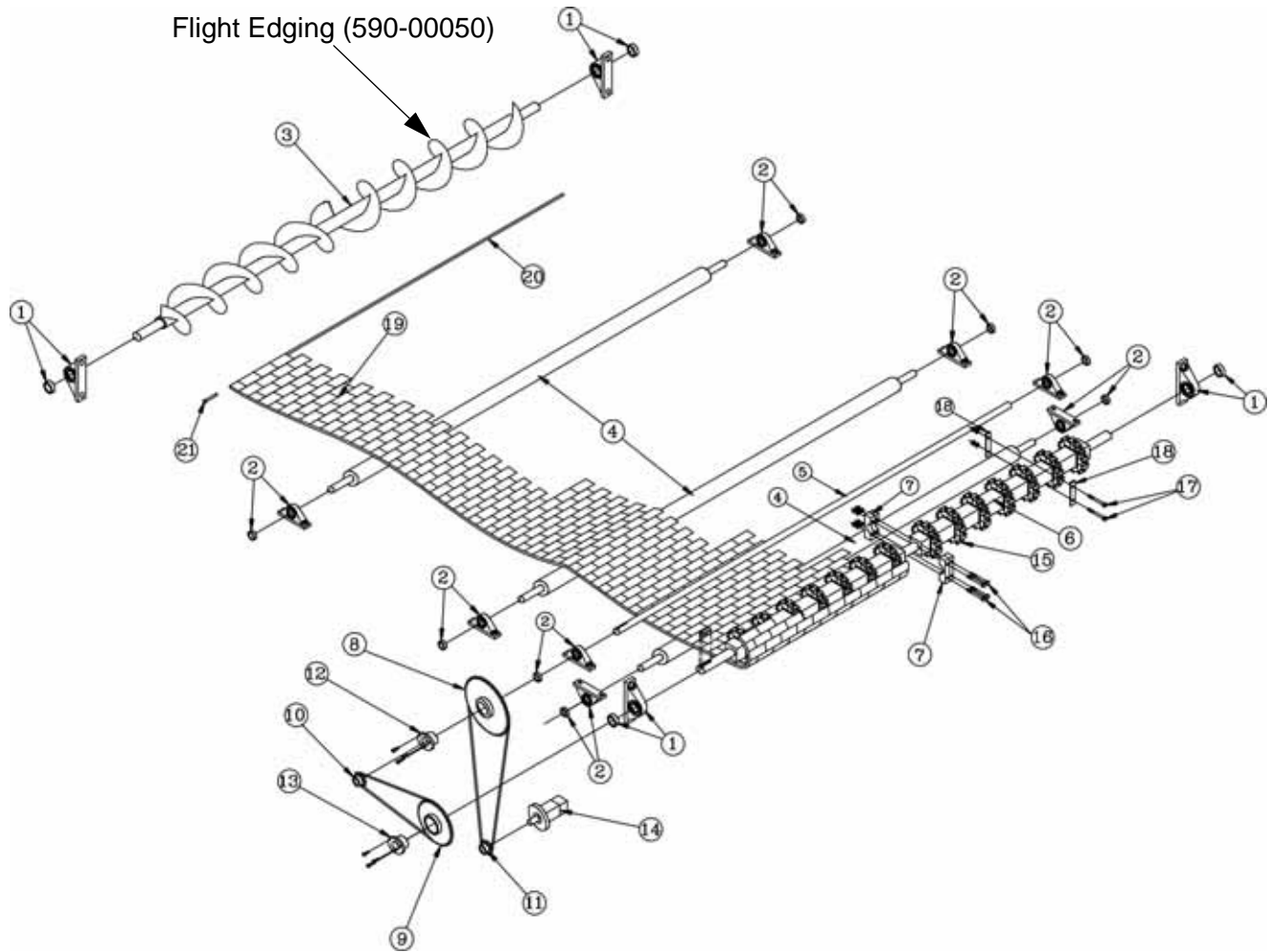
Hanging Belt

INTRALOX [®] Belt - - - - -	12
INTRALOX [®] Belt - - - - -	14
PVC Belt and Stainless Steel Frame - - - - -	16
PVC Belt and Stainless Steel Frame - - - - -	18
PVC Belt and Galvanized Frame - - - - -	20
PVC Belt and Galvanized Frame - - - - -	22



Cage Unloading System

RECEIVING BELT WITH 88" INTRALOX® BELT





Cage Unloading System

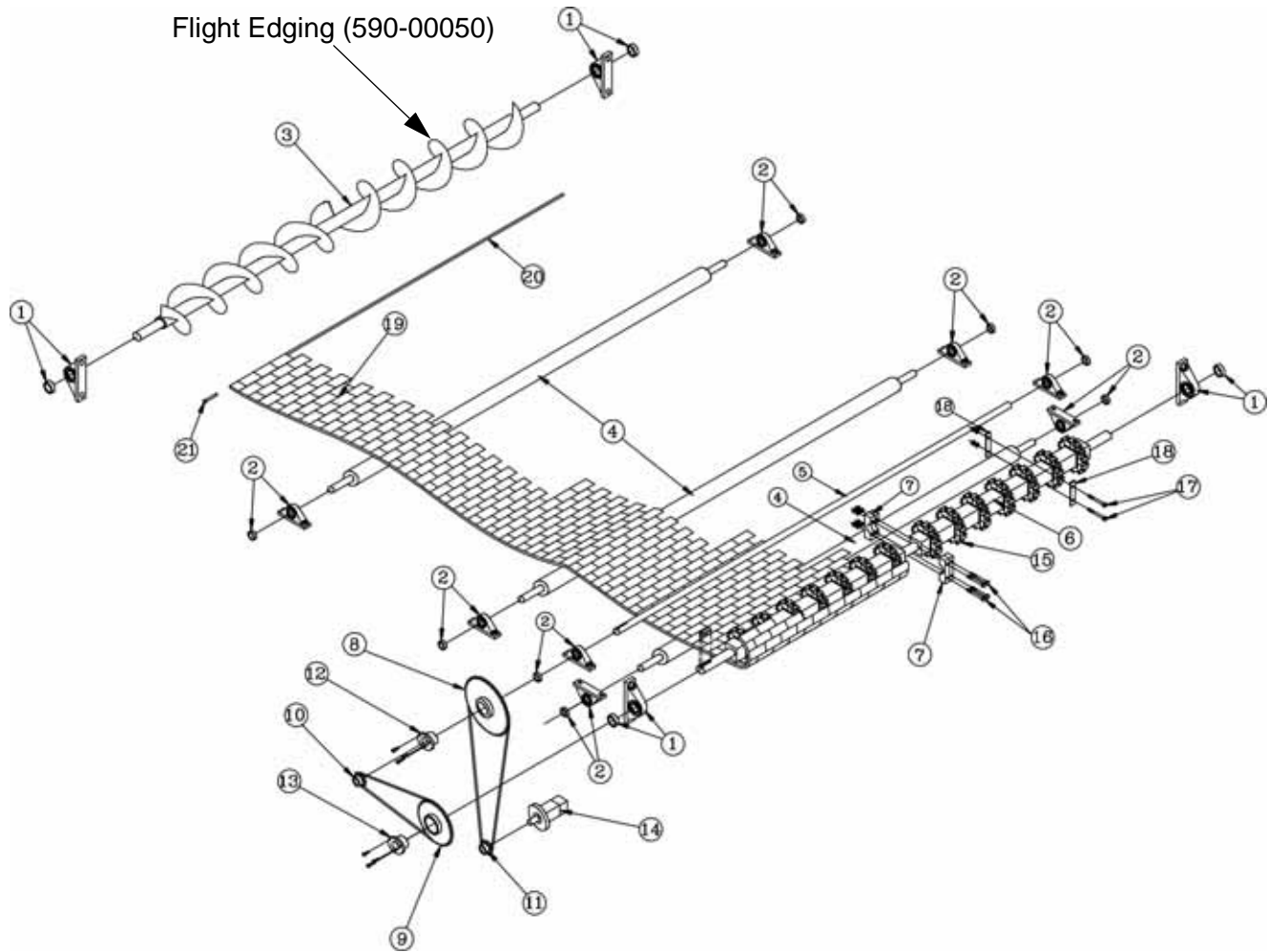
RECEIVING BELT WITH 88" INTRALOX® BELT

ITEM	PART NUMBER	DESCRIPTION	QTY	MODEL OR SERIAL #
1	030-00020	BEARING, PILLOW BLOCK, VAK 1-15/16"	4	
2	030-00021	BEARING, PILLOW BLOCK, VAK 1-7/16"	4	
3	050-00020	STAINLESS STEEL SCROLL, 9" X 101"	1	
4	590-00024	IDLE ROLLER, INTRALOX BELTING, 3" PIPE	3	
5	670-00009	SHAFT, COUNTER, 1-7/16" X 104"	1	
6	670-00028	SHAFT, SQUARE STAINLESS STEEL DRIVE (2.5" X 104")	1	
7	410-00029	BEARING, UHMW (SET, 4 PIECES) DRIVE CENTER BEARING (1-1/16" BORE)	1	
7A	410-00029.1	BEARING, UHMW (SET, 4 PIECES) DRIVE CENTER BEARING (2-3/8" BORE)	1	
8	690-00011	SPROCKET, 60SF60 - 60SFF45	1	
9	690-00009	SPROCKET, 60SF45	1	
10	690-00004	SPROCKET, 60BS13, 1-7/16", 3/8"K	1	
11	690-00003	SPROCKET, 60BS13, 1-1/4", 5/16"K	1	
12	690-00043	BUSHING, SF, 1-7/16"	1	
13	030-00057	BUSHING, SF, 1-15/16"	1	
14	450-00004	MOTOR, HYDRAULIC, 104-1028	1	
15	050-00071	SPROCKET, INTRALOX, SH72SAO, 7.7 WITH 2.5" SQ. BORE (12 TOOTH)	14	
16	210-00504	BOLT	AS REQ'D	
17	210-00088	BOLT	AS REQ'D	
18	410-00025	PLASTIC SPROCKET RETAINER (PER SET OF 2)	AS REQ'D	
19	050-00028	BELTING, 88" INTRALOX (SERIES 800)	AS REQ'D	
20	050-00078	RODS, ABRASION RESISTANT	AS REQ'D	
21	050-00076	RODLETS, ABRASION RESISTANT	AS REQ'D	



Cage Unloading System

RECEIVING BELT WITH 108" INTRALOX® BELT





Cage Unloading System

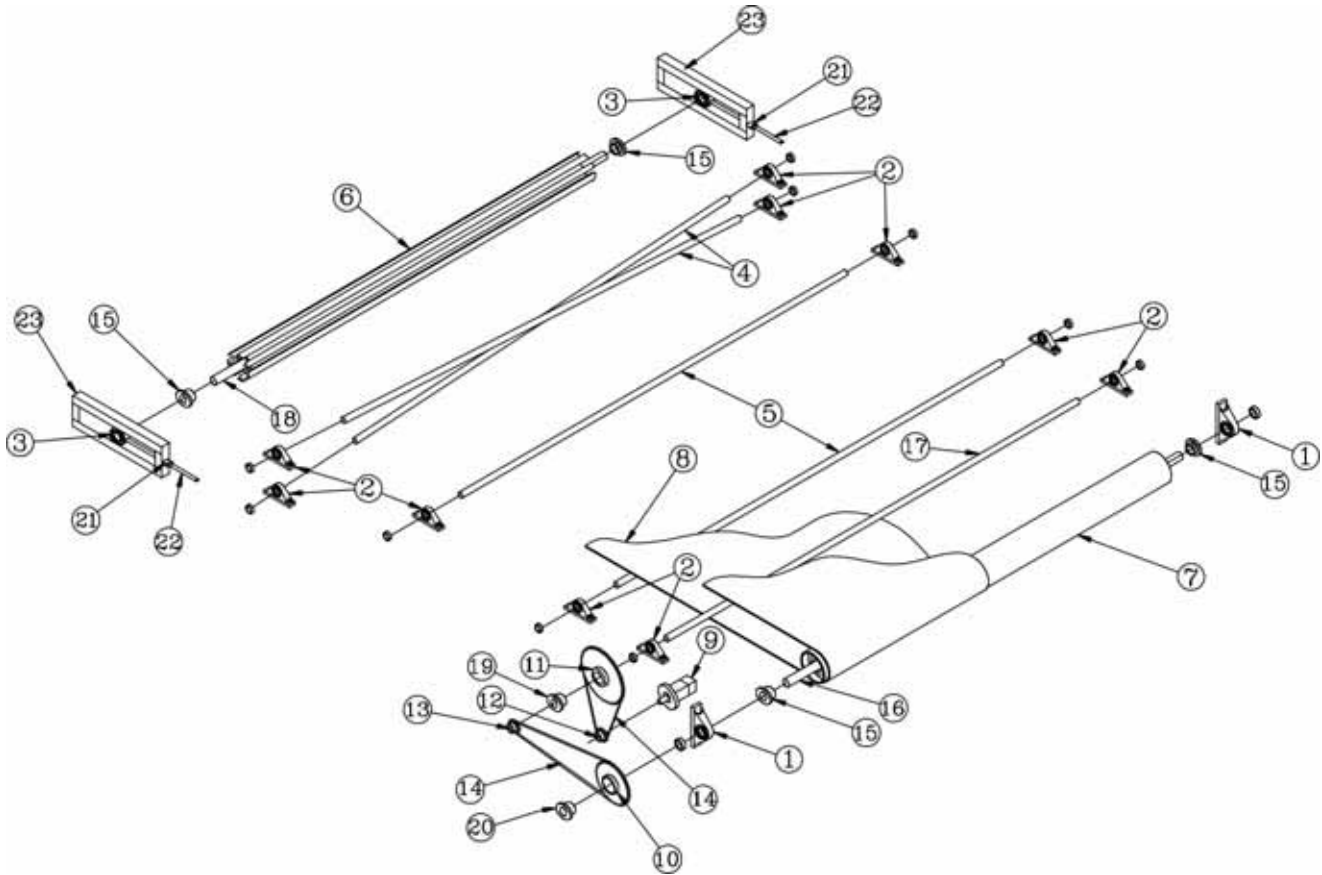
RECEIVING BELT WITH 108" INTRALOX® BELT

ITEM	PART NUMBER	DESCRIPTION	QTY	MODEL OR SERIAL #
1	030-00020	BEARING, PILLOW BLOCK, VAK 1-15/16"	4	
2	030-00021	BEARING, PILLOW BLOCK, VAK 1-7/16"	4	
3	050-00131	STAINLESS STEEL SCROLL, 9" X 120"	1	
4	590-00062	IDLE ROLLER, INTRALOX BELTING, 3" PIPE	3	
5	670-00060	SHAFT, COUNTER, 1-7/16" X 124"	1	
6	670-00058	SHAFT, SQUARE STAINLESS STEEL DRIVE (2.5" X 124")	1	
7	410-00029	BEARING, UHMW (SET, 4 PIECES) DRIVE CENTER BEARING (1-1/16" BORE)	2	
7A	410-00029.1	BEARING, UHMW (SET, 4 PIECES) DRIVE CENTER BEARING (2-3/8" BORE)	1	
8	690-00011	SPROCKET, 60SF60 - 60SFF45	1	
9	690-00009	SPROCKET, 60SF45	1	
10	690-00004	SPROCKET, 60BS13, 1-7/16", 3/8"K	1	
11	690-00003	SPROCKET, 60BS13, 1-1/4", 5/16"K	1	
12	690-00043	BUSHING, SF, 1-7/16"	1	
13	030-00057	BUSHING, SF, 1-15/16"	1	
14	450-00004	MOTOR, HYDRAULIC, 104-1028	1	
15	050-00071	SPROCKET, INTRALOX, SH72SAO, 7.7 WITH 2.5" SQ. BORE (12 TOOTH)	18	
16	210-00504	BOLT	AS REQ'D	
17	210-00088	BOLT	AS REQ'D	
18	410-00025	PLASTIC SPROCKET RETAINER (PER SET OF 2)	AS REQ'D	
19	050-00130	BELTING, 108" INTRALOX (SERIES 800)	AS REQ'D	
20	050-00140	RODS, ABRASION RESISTANT	AS REQ'D	
21	050-00076	RODLETS, ABRASION RESISTANT	AS REQ'D	



Cage Unloading System

RECEIVING BELT WITH 88" PVC BELT





Cage Unloading System

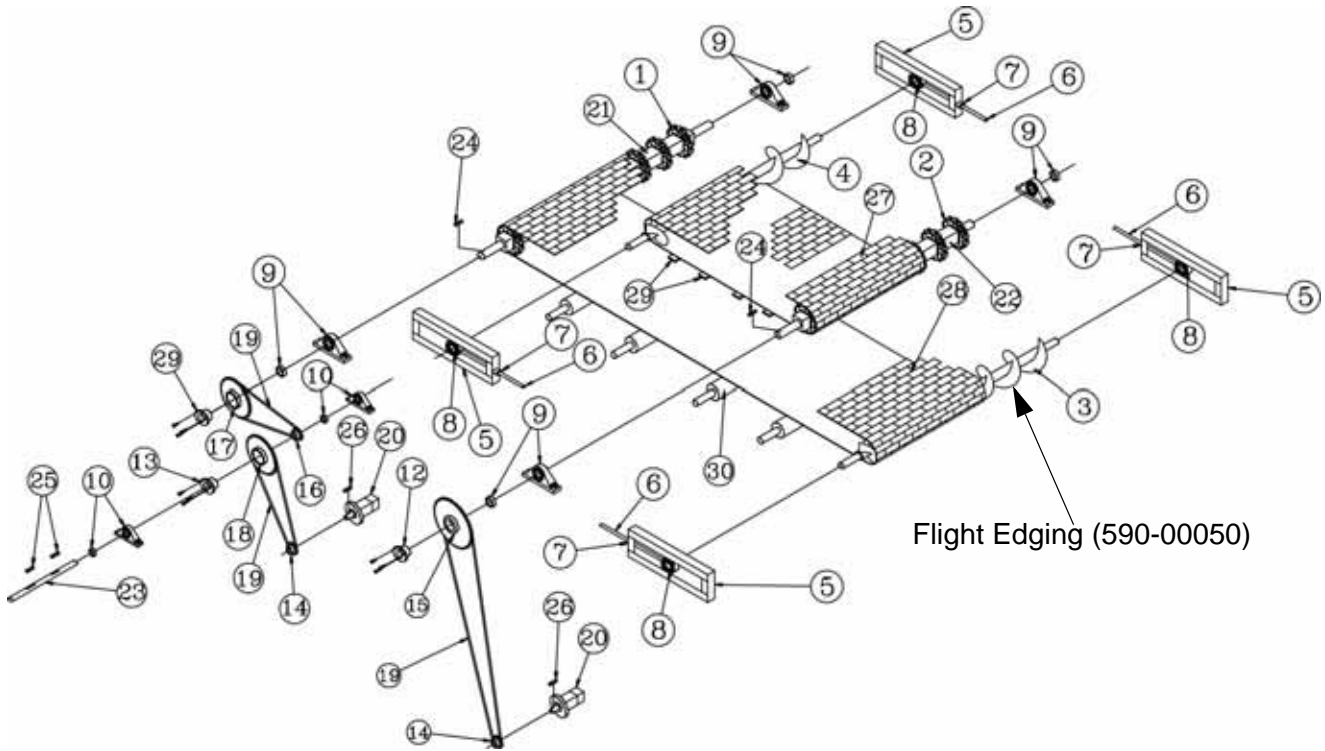
RECEIVING BELT WITH 88" PVC BELT

ITEM	PART NUMBER	DESCRIPTION	QTY	MODEL OR SERIAL #
1	030-00020	BEARING, PILLOW BLOCK, VAK 1-15/16"	2	
2	030-00021	BEARING, PILLOW BLOCK, VAK 1-7/16"	10	
3	030-00016	TAKE-UP BEARING	2	
4	590-00023	SHAFT	2	
5	670-00037	SHAFT, WITH PIPE SLEEVE	2	
6	590-00027	PADDLE WHEEL WITH BUSHING	1	
7	590-00015	CROWN ROLLER WITH BUSHING	1	
8	050-00008	PVC BELT	1	
9	450-00004	HYD. MOTOR	1	
10	690-00009	(60SF45) SPROCKET	1	
11	690-00011	(60SF60) SPROCKET	1	
12	690-00003	(60BS13) 1-1/4" SPROCKET	1	
13	690-00004	(60BS13) 1-7/16" SPROCKET	1	
14	110-00001	# 60 CHAIN	1	
15	690-00047	BUSHING HE-25, 1-15/16"	4	
16	670-00013	DRIVE SHAFT	AS REQ'D	
17	670-00009	SHAFT, COUNTER SHAFT 1-7/16" X 104"	AS REQ'D	
18	670-00021	PADDLE WHEEL SHAFT	AS REQ'D	
19	690-00043	SF BUSHING	AS REQ'D	
20	030-00057	BUSHING SF 1-15/16"	AS REQ'D	
21	210-00210	TAKE-UP NUT	AS REQ'D	
22	410-00027	TAKE-UP ROD (15" LG)	2	
	410-00026	TAKE-UP ROD (12" LG)	2	
	091-21323	TAKE-UP ROD (22" LG)	2	
	091-21320	TAKE-UP ROD (25" LG)	2	
23	091-21320	TAKE-UP ASSEMBLY (INCLUDES 3, 21, 22)	2	



Cage Unloading System

RECEIVING BELT WITH 2 INTRALOX® BELTS





Cage Unloading System

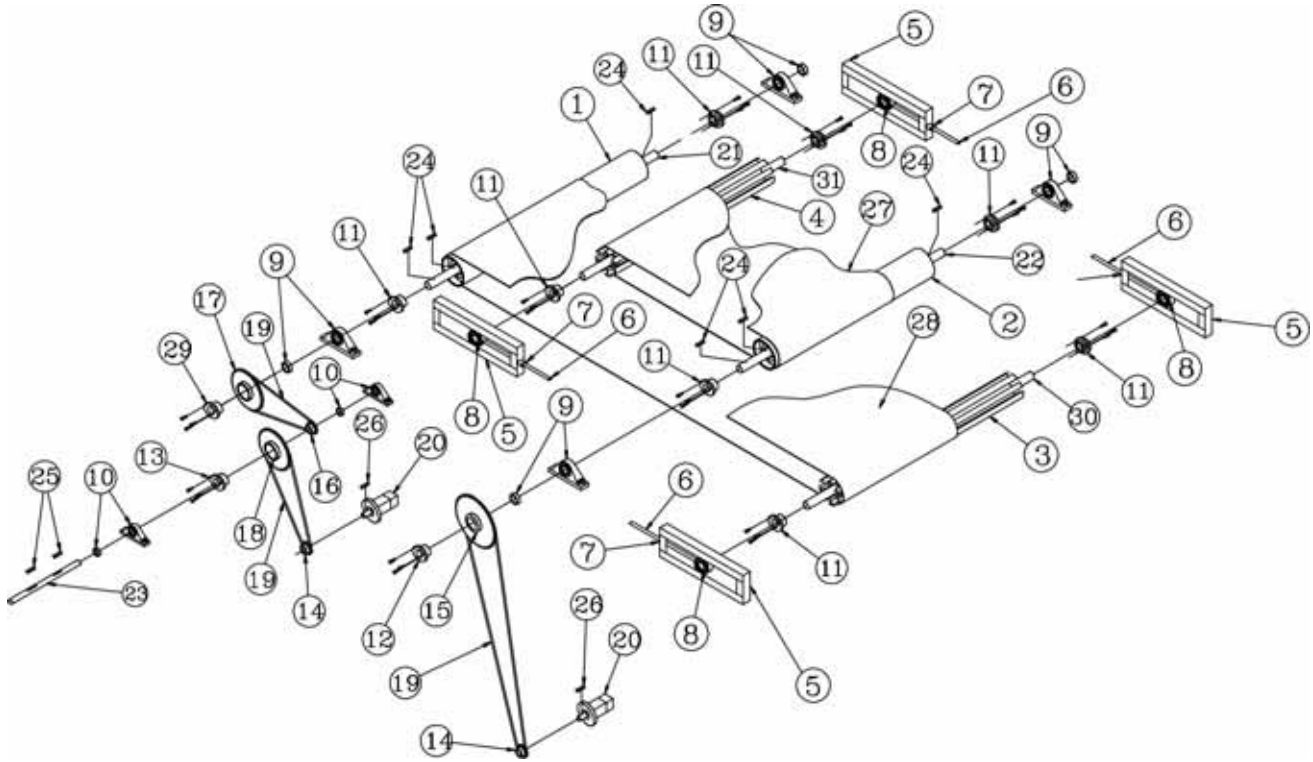
RECEIVING BELT WITH 2 INTRALOX® BELTS

ITEM	PART NUMBER	DESCRIPTION	QTY	MODEL OR SERIAL #
1	050-00120	SPROCKET, 7.7 WITH 2-1/2" SQ. BORE, SPLIT METAL PLATE (3/8")	1	
2	050-00119	SPROCKET, 5.2 WITH 2-1/2" SQ. BORE, SPLIT METAL PLATE (3/8")	1	
3	050-00017	STAINLESS STEEL SCROLL (48" BELT) 9" X 61" INTRALOX 400 (800SERIES)	1	
4	050-00016	STAINLESS STEEL SCROLL, 6" X 57" INTRALOX 400 (800 SERIES)	1	
5	091-21320	TAKE-UP ASSEMBLY (25" LG) (INCLUDES 6, 7, 8)	4	
6	410-00027	TAKE-UP ROD	4	
7	210-00210	TAKE-UP NUT	4	
8	030-00016	TAKE-UP BEARING	4	
9	030-00021	BEARING, PILLOW BLOCK, VAK 1-7/16"	4	
10	030-00021	BEARING, PILLOW BLOCK, VAK 1-7/16"	2	
11	690-00047	BUSHING HE-25, 1-15/16"	4	
12	030-00057	BUSHING SF 1-15/16"	2	
13	690-00022	BUSHING SK 1-7/16"	1	
14	690-00003	60BS13, 1-1/4"	2	
15	690-00011	SPROCKET 60SF60	1	
16	690-00005	SPROCKET 60BS15, 1-7/16"	1	
17	690-00015	SPROCKET 60SK30	1	
18	690-00015	SPROCKET 60SK30	1	
19	110-00001	#60 CHAIN	3	
20	450-00004	HYD. MOTOR 104-1028	2	
21	670-00033	SHAFT (SQ. SS MACHINED CENTER, 2.5" X 63"	2	
22	670-00052	SHAFT (SQ. SS MACHINED CENTER, 2.5" X 57" (42" BELT, PAINTED FRAME)	2	
23	670-00008	SHAFT (BOTTOM BELT COUNTER SHAFT)	1	
24	370-00008	3/8" X 3" KEY	6	
25	370-00007	3/8" X 2" KEY	2	
26	370-00013	3/8" X 1-1/4", (SPROCKET) KEY	2	
27	050-00005	42" INTRALOX BELT (800 SERIES) (24'-6")	1	
28	050-00006	48" INTRALOX BELT (800 SERIES) (33')	1	
29	690-00060	BUSHING SK 1-15/16"	1	



Cage Unloading System

RECEIVING BELT WITH 2 PVC BELTS





Cage Unloading System

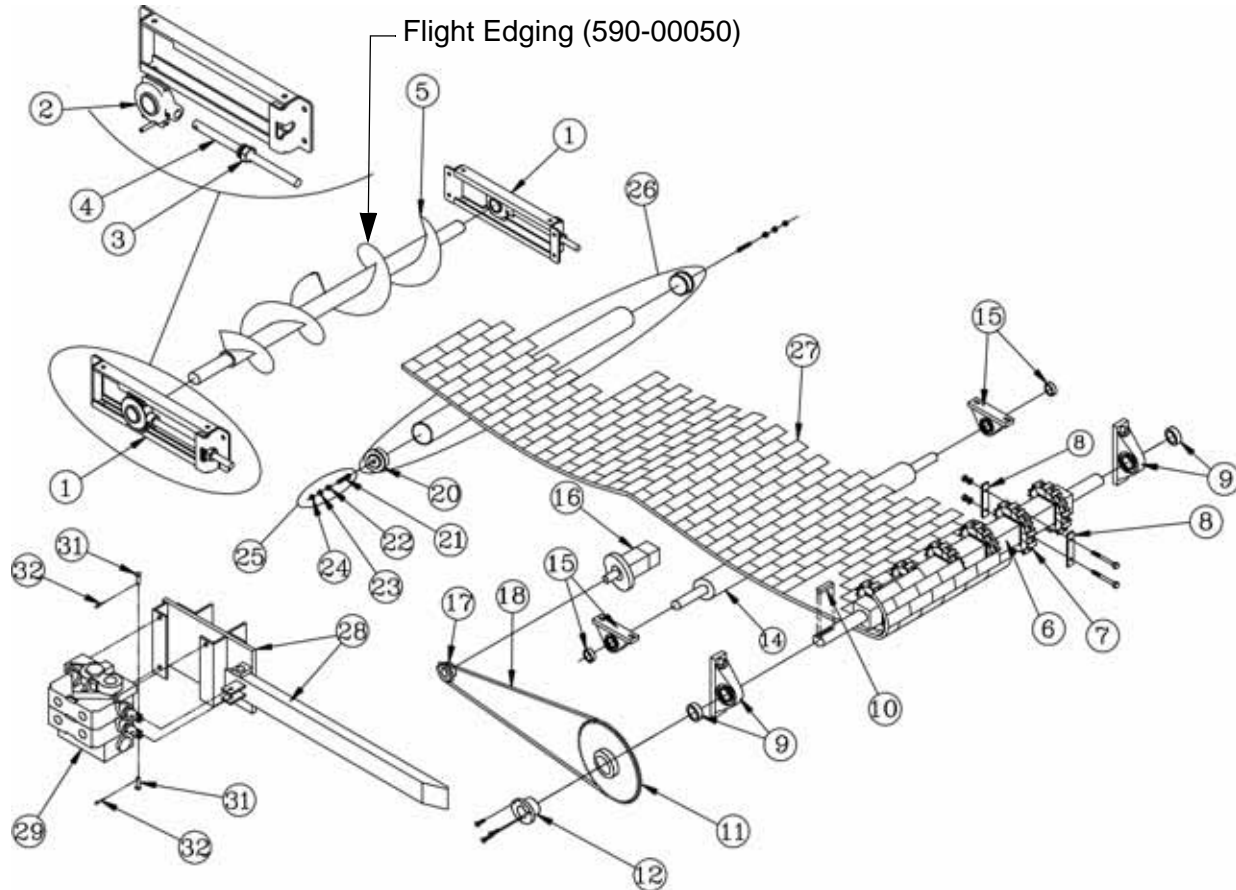
RECEIVING BELT WITH 2 PVC BELTS

ITEM	PART NUMBER	DESCRIPTION	QTY	MODEL OR SERIAL #
1	590-00016	CROWN ROLLER (BOTTOM BELT) 8" X 51" WITH BUSHING	1	
2	590-00019	CROWN ROLLER (TOP BELT) 6" X 44" WITH BUSHING (DRIVE OR IDLER)	1	
3	590-00016	(BOTTOM BELT) 8" X 51" WITH BUSHING (PADDLE WHEEL)	1	
4	590-00019	(TOP BELT) 6" X 44" WITH BUSHING (DRIVE OR IDLER) (PADDLE WHEEL)	1	
5	091-21320	TAKE-UP ASSEMBLY (25" LG)	4	
6	410-00027	TAKE-UP ROD	4	
7	210-00210	TAKE-UP NUT	4	
8	030-00016	TAKE-UP BEARING	4	
9	030-00021	BEARING, PILLOW BLOCK, VAK 1-15/16"	4	
10	030-00021	BEARING, PILLOW BLOCK, VAK 1-7/16"	2	
11	690-00047	BUSHING HE-25, 1-15/16"	4	
12	030-00057	BUSHING SF 1-15/16"	2	
13	690-00022	BUSHING SK 1-7/16"	1	
14	690-00003	60BS13, 1-1/4"	2	
15	690-00011	SPROCKET 60SF60	1	
16	690-00005	SPROCKET 60BS15, 1-7/16"	1	
17	690-00015	SPROCKET 60SK30	1	
18	690-00015	SPROCKET 60SK30	1	
19	110-00001	#60 CHAIN	3	
20	450-00004	HYD. MOTOR 104-1028	2	
21	670-00012	SHAFT (DRIVE-BOTTOM BELT)	2	
22	670-00014	SHAFT (DRIVE-TOP BELT)	2	
23	670-00008	SHAFT (BOTTOM BELT COUNTER SHAFT)	1	
24	370-00008	3/8" X 3" KEY	6	
25	370-00007	3/8" X 2" KEY	2	
26	370-00013	3/8" X 1-1/4", (SPROCKET) KEY	2	
27	050-00005	PVC BELT	1	
28	050-00006	PVC BELT	1	
29	690-00060	BUSHING SK 1-15/16"	1	
30	670-00020	IDLE BOTTOM BELT SHAFT	1	
31	670-00022	IDLE TOP BELT SHAFT	1	



Cage Unloading System

HANGING BELT WITH INTRALOX® BELT





Cage Unloading System

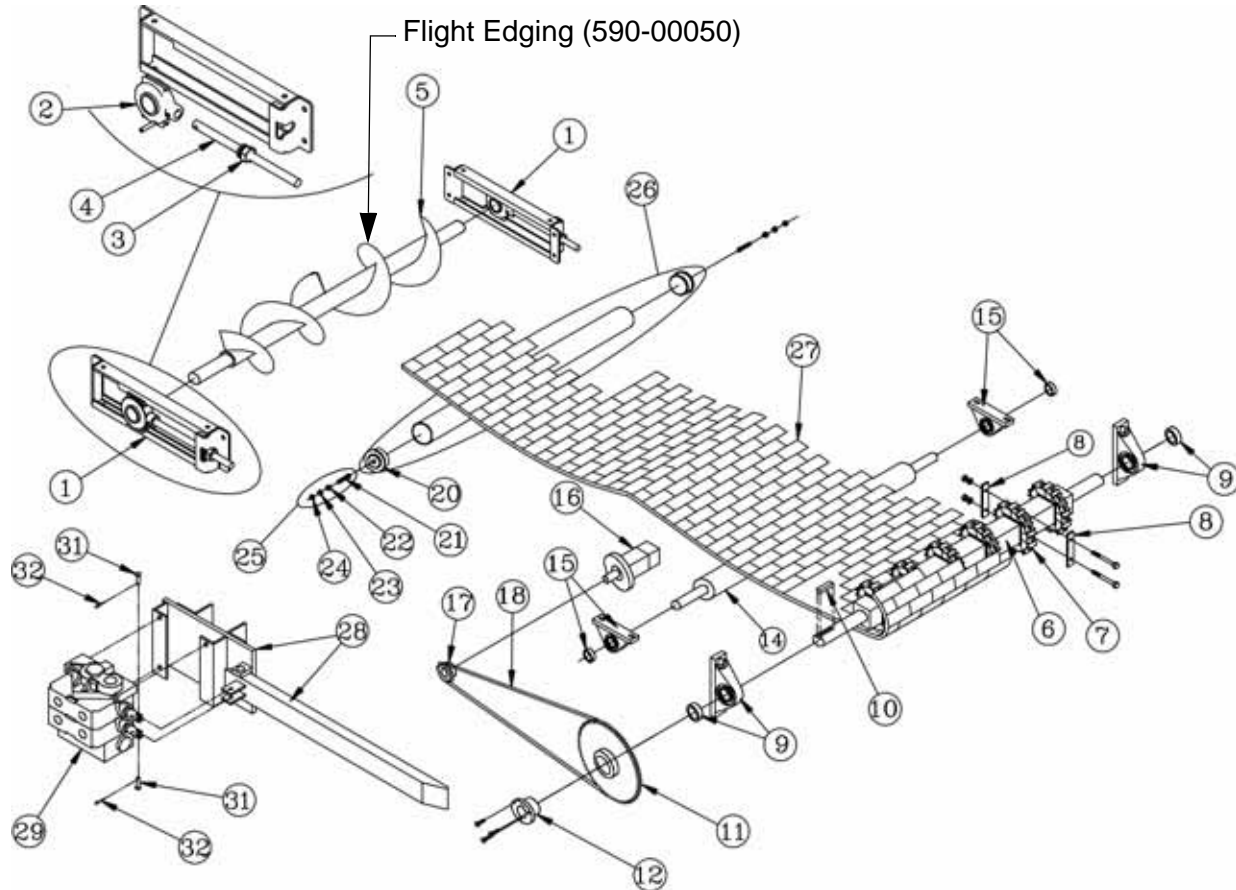
HANGING BELT WITH INTRALOX® BELT

ITEM	PART NUMBER	DESCRIPTION	QTY	MODEL OR SERIAL #
1	091-21320	TAKE-UP, COMPLETE ASSY W/ ROD AND NUT	2	
2	030-00016	TAKE-UP, BEARING UNIT ONLY	2	
3	210-00210	TAKE-UP, ADJUSTING NUT	2	
4	410-00027	TAKE-UP, THREADED ROD, 15"	2	
5	050-00018	SCROLL, 2' HANGING BELT	1	
	050-00019	SCROLL, 3' HANGING BELT	1	
	050-00017	SCROLL, 4' HANGING BELT	1	
6	670-00029	STAINLESS STEEL DRIVE SHAFT, 2' HANGING BELT, S.S. CONSTRUCTION	1	
	670-00030	STAINLESS STEEL DRIVE SHAFT, 3' HANGING BELT, S.S. CONSTRUCTION	1	
	670-00032	STAINLESS STEEL DRIVE SHAFT, 4' HANGING BELT, S.S. CONSTRUCTION	1	
7	050-00073	10.3 INTRALOX SPROCKET, 2 1/2" SQUARE BORE	AS REQUIRED	
8	410-00025	PLASTIC SPROCKET RETAINER (2 STRAPS PER SET)	AS REQUIRED	
9	030-00020	PILLOW BLOCK BEARING, 1 15/16"	2	
10	370-00014	KEY, 1/2" X 4"	1	
11	690-00011	SPROCKET, 60 SF 60	1	
12	030-00057	BUSHING, SF 1 15/16"	1	
14	590-00051	ROLLER, FORCED WRAP, 2' S.S. HANGING BELT	1	
	590-00052	ROLLER, FORCED WRAP, 3' S.S. HANGING BELT	1	
	590-00053	ROLLER, FORCED WRAP, 4' S.S. HANGING BELT	1	
15	030-00023	PILLOW BLOCK BEARING, 1"	2	
16	450-00004	MOTOR, CHAR-LYNN	1	
17	690-00044	SPROCKET, 60 BS 15 - 1 1/4" BORE	1	
18	110-00001	CHAIN, #60	AS REQUIRED	
20	590-00055	PLUG, PLASTIC	AS REQUIRED	
22	210-00172	NUT, 3/8" S.S.	AS REQUIRED	
23	210-00314	LOCK WASHER, 3/8" S.S.	AS REQUIRED	
24	210-00186	NUT, 3/8" S.S. JAMB	AS REQUIRED	



Cage Unloading System

HANGING BELT WITH INTRALOX® BELT





Cage Unloading System

HANGING BELT WITH INTRALOX® BELT

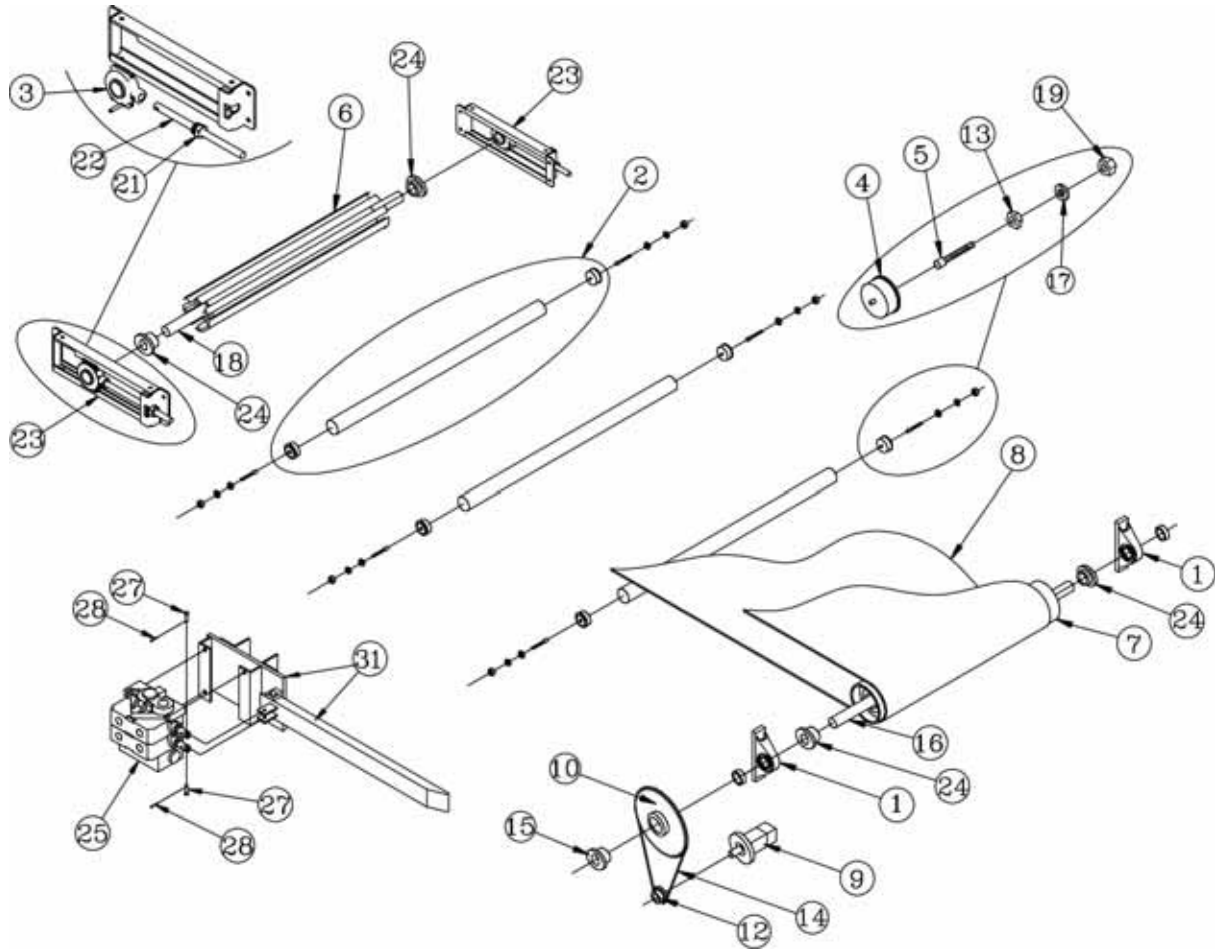
ITEM	PART NUMBER	DESCRIPTION	QTY	MODEL OR SERIAL #
25	590-00022	BALL STUD, KIT (INCLUDES 2 STUDS, 2 NUTS, 2 L.W., & 2 JAMB NUTS)	AS REQUIRED	
26	STAINLESS STEEL CONSTRUCTION			
	590-00008	2 3/8" X 24 1/2" ROLLER, COMPLETE (2' BELT)	AS REQUIRED	
	590-00004	2 3/8" X 35 1/2" ROLLER, COMPLETE (3' BELT)	AS REQUIRED	
	590-00054	2 3/8" X 47 1/2" ROLLER, COMPLETE (4' BELT)	AS REQUIRED	
26	GALVANIZED CONSTRUCTION			
	590-00006	2 3/8" X 17" ROLLER, COMPLETE (2' BELT)	AS REQUIRED	
	590-00007	2 3/8" X 29" ROLLER, COMPLETE (3' BELT)	AS REQUIRED	
	590-00005	2 3/8" X 41" ROLLER, COMPLETE (4' BELT)	AS REQUIRED	
27	050-00032	INTRALOX SERIES 800 BELTING (PER FOOT), 2' BELT	AS REQUIRED	
	050-00031	INTRALOX SERIES 800 BELTING (PER FOOT), 3' BELT	AS REQUIRED	
	050-00029	INTRALOX SERIES 800 BELTING (PER FOOT), 4' BELT	AS REQUIRED	
*28	010-00164	KNEE LEVER ASSEMBLY (WELDMENT ONLY, NO VALVE)	1	
*29	810-00084	HANGING BELT VALVE (SPECIFY NO. OF SECTIONS, 2 SECTION SHOWN)	1	
31	210-00136	CLEVIS PIN	AS REQUIRED	
32	210-00437	COTTER PIN	AS REQUIRED	

* Note: See Section 10 for more detail



Cage Unloading System

**HANGING BELT WITH PVC BELT
for STAINLESS STEEL FRAME**





Cage Unloading System

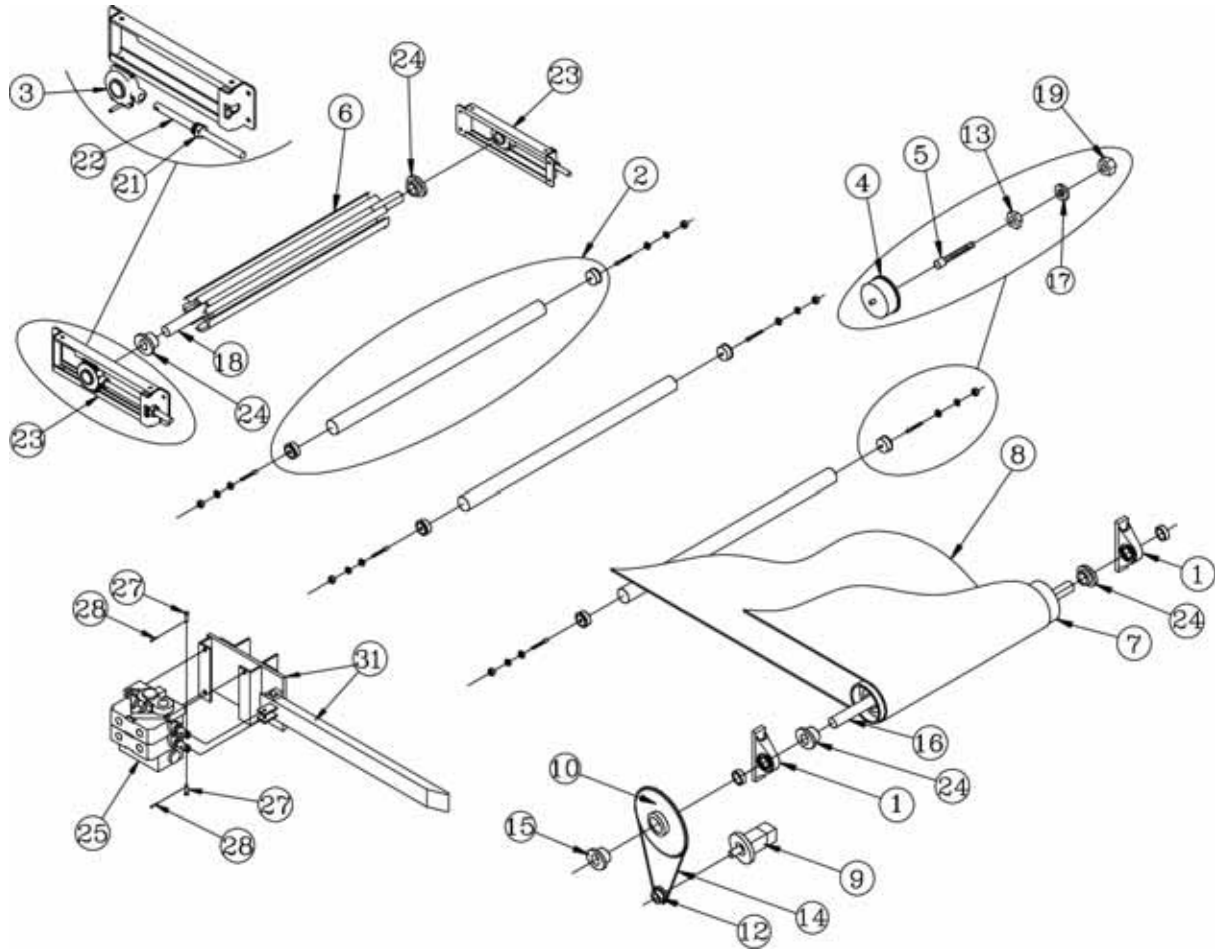
HANGING BELT WITH PVC BELT for STAINLESS STEEL FRAME

ITEM	PART NUMBER	DESCRIPTION	QTY	MODEL OR SERIAL #
1	030-00020	BEARING, PILLOW BLOCK, VAK 1 15/16"	2	
2	590-00008	2 3/8" X 24 1/2" ROLLER COMPLETE (2' BELT)	AS REQUIRED	
	590-00004	2 3/8" X 35 1/2" ROLLER COMPLETE (3' BELT)	AS REQUIRED	
	590-00054	2 3/8" X 47 1/2" ROLLER COMPLETE (4' BELT)	AS REQUIRED	
3	030-00016	TAKE-UP BEARING UNIT	2	
4	590-00055	BEARING 2" EMT (BLUE)	AS REQUIRED	
5	590-00022	3/8" S.S. STUD	AS REQUIRED	
6	PADDLE WHEEL, WINGED PULLEY			
	590-00058	10" X 26"	1	
	590-00025	10" X 38"	1	
	590-00061	10" X 51"	1	
7	CROWN ROLLER			
	590-00009	10" X 26"	1	
	590-00011	10" X 38"	1	
	590-00012	10" X 51"	1	
8	PVC BELT			
	050-00008	88" BELT	1	
	050-00003	24" BELT	1	
	050-00004	36" BELT	1	
	050-00006	48" BELT	1	
9	450-00004	MOTOR, HYDRAULIC	1	
10	690-00009	SPROCKET, 60SF45, 60SF60	1	



Cage Unloading System

**HANGING BELT WITH PVC BELT
for STAINLESS STEEL FRAME**





Cage Unloading System

HANGING BELT WITH PVC BELT for STAINLESS STEEL FRAME

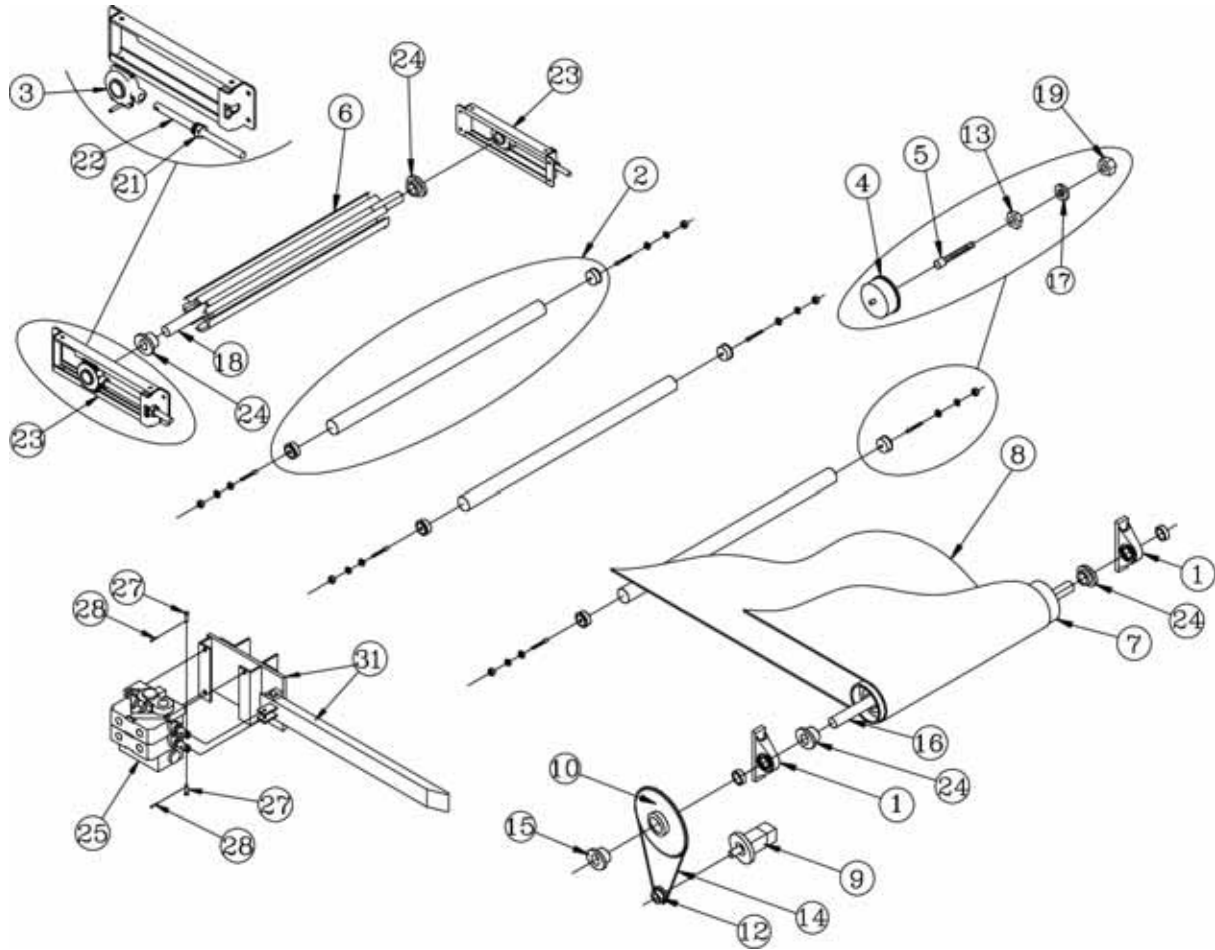
ITEM	PART NUMBER	DESCRIPTION	QTY	MODEL OR SERIAL #
12	690-00003	SPROCKET, 60BS13-1 1/4, 5/16K	1	
13	210-00186	3/8" JAM NUT	AS REQUIRED	
14	110-00001	DRIVE CHAIN, # 60	AS REQUIRED	
15	030-00057	BUSHING, SF 1 15/16	1	
16		SHAFT, DRIVE CROWN ROLL OR PADDLE WHEEL		
	670-00015	1-15/16" X 40"	1	
	670-00016	1-15/16" X 52-1/2"	1	
	670-00012	1-15/16" X 66"	1	
17	210-00314	3/8" LOCK WASHER	AS REQUIRED	
18		SHAFT, PADDLE WHEEL IDLER		
	670-00021	1-15/16" X 40"	1	
	670-00024	1-15/16" X 50"	1	
	670-00020	1-15/16" X 63"	1	
19	210-00172	3/8" NUT	AS REQUIRED	
21	210-00210	NUT, TAKE-UP	2	
22	410-00027	ROD, TAKE-UP (15" LG)	2	
23	091-21320	FRAME, TAKE-UP W/ ROD AND NUT	2	
24	690-00047	BUSHING, HE-25 1 15/16	4	
*25	810-00084	HANGING BELT VALVE (SPECIFY NO. OF SECTIONS, 2 SECTIONS SHOWN)	1	
27	210-00136	CLEVIS PIN	AS REQUIRED	
28	210-00437	COTTER PIN	AS REQUIRED	
*31	010-00164	KNEE LEVER ASSEMBLY (WELDMENT ONLY, NO VALVE)	1	

* See Section 10 for more Details



Cage Unloading System

**HANGING BELT WITH PVC BELT
for GALVANIZED FRAME**





Cage Unloading System

HANGING BELT WITH PVC BELT for GALVANIZED FRAME

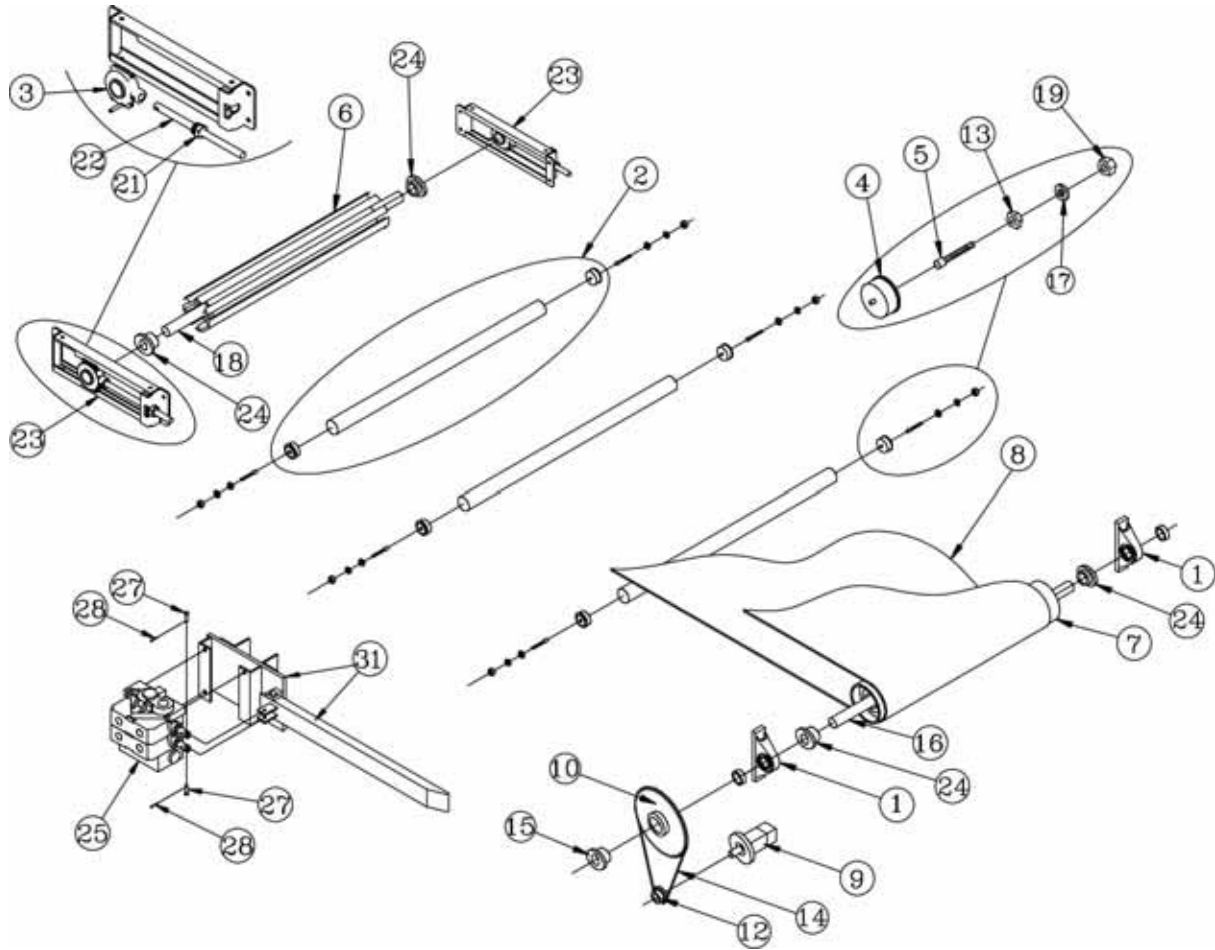
ITEM	PART NUMBER	DESCRIPTION	QTY	MODEL OR SERIAL #
1	030-00020	BEARING, PILLOW BLOCK, VAK 1 15/16"	2	
2	590-00006	2-3/8" X 17" ROLLER COMPLETE (2' BELT)	AS REQUIRED	
	590-00007	2-3/8" X 29" ROLLER COMPLETE (3' BELT)	AS REQUIRED	
	590-00005	2-3/8" X 41" ROLLER COMPLETE (4' BELT)	AS REQUIRED	
3	030-00016	TAKE-UP BEARING UNIT	2	
4	590-00055	BEARING 2" EMT (BLUE)	AS REQUIRED	
5	590-00022	3/8" S.S. STUD HARDWARE SET	AS REQUIRED	
6	PADDLE WHEEL, WINGED PULLEY			
	590-00058	10" X 26"	1	
	590-00025	10" X 38"	1	
	590-00061	10" X 51"	1	
7	CROWN ROLLER			
	590-00009	10" X 26"	1	
	590-00011	10" X 38"	1	
	590-00012	10" X 51"	1	
8	PVC BELT			
	050-00003	24" BELT	1	
	050-00004	38" BELT	1	
	050-00006	48" BELT	1	
9	450-00004	MOTOR, HYDRAULIC	1	
10	690-00009	SPROCKET, 60SF45, 60SF60	1	
12	690-00003	SPROCKET, 60BS13, 1-1/4, 5/16K	1	
13	210-00186	3/8" JAM NUT	AS REQUIRED	
14	110-00001	DRIVE CHAIN, # 60	AS REQUIRED	
15	030-00057	BUSHING, SF 1 15/16	1	
16	SHAFT, DRIVE CROWN ROLL OR PADDLE WHEEL			
	670-00015	1-15/16" X 40"	1	
	670-00016	1-15/16" X 52-1/2"	1	
	670-00012	1-15/16" X 66"	1	

* See section 10 for more detail



Cage Unloading System

HANGING BELT WITH PVC BELT for GALVANIZED FRAME





Cage Unloading System

HANGING BELT WITH PVC BELT for GALVANIZED FRAME

ITEM	PART NUMBER	DESCRIPTION	QTY	MODEL OR SERIAL #
17	210-00314	3/8" LOCK WASHER	AS REQUIRED	
18		SHAFT, PADDLE WHEEL IDLER		
	670-00021	1-15/16" X 40"	1	
	670-00024	1-15/16" X 50"	1	
	670-00020	1-15/16" X 63"	1	
19	210-00172	3/8" NUT	AS REQUIRED	
21	210-00210	NUT, TAKE-UP	2	
22	410-00027	ROD, TAKE-UP (15" LG)	2	
23	091-21320	FRAME, TAKE-UP W/ ROD AND NUT	2	
24	690-00047	BUSHING, HE-25 1 15/16	4	
*25	810-00084	HANGING BELT VALVE (SPECIFY NO. OF SECTIONS, 2 SECTIONS SHOWN)	1	
27	210-00136	CLEVIS PIN	AS REQUIRED	
28	210-00437	COTTER PIN	AS REQUIRED	
*31	010-00164	KNEE LEVER ASSEMBLY (WELDMENT ONLY, NO VALVE)	1	

* See section 10 for more detail



Cage Unloading System



Cage Unloading System

Section 7

Operator Console

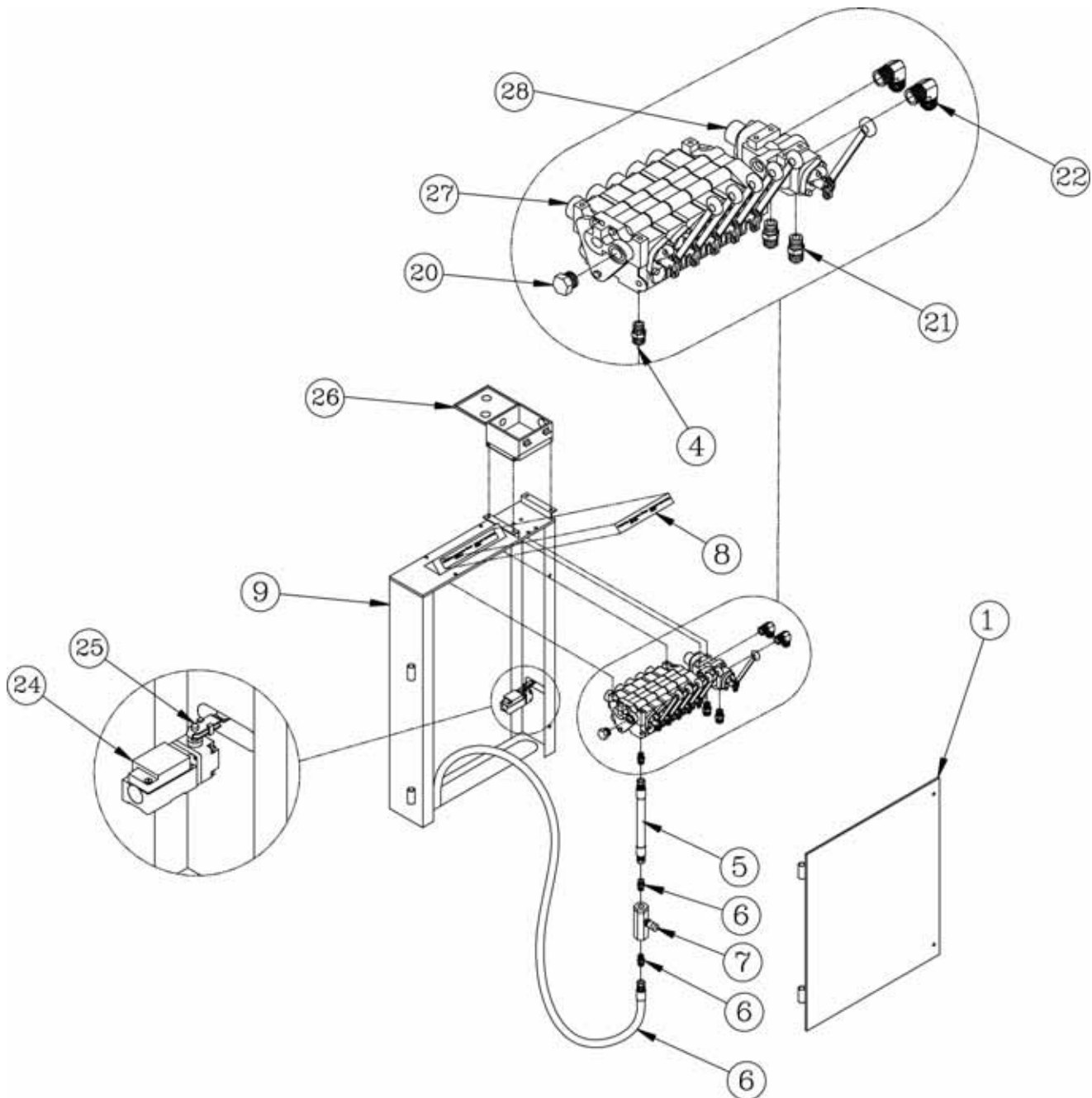
Contents

OPERATOR CONSOLE - - - - -	2
CONTROL BOX DETAIL	
STYLE "A"	
Cage Unloading System Without Door Closer And Washer - - -	4
STYLE "B"	
Cage Unloading System With Door Closer And Without Washer	6
STYLE "C"	
Cage Unloading System With Door Closer And With Washer - -	8



Cage Unloading System

OPERATOR CONSOLE





Cage Unloading System

OPERATOR CONSOLE

ITEM	PART NUMBER	DESCRIPTION	QTY	MODEL OR SERIAL #
1	410-00069	REMOVABLE COVER PLATE HINGED	1	
4	330-00036	ADAPTER, O-RING BOSS	AS REQ'D	
5	340-00003	HYDRAULIC HOSE, 1/2" X 10"	4	
6	330-00020	ADAPTER, MALE PIPE	8	
7	330-00144	FLOW CONTROL	4	
8	360-00086	CONSOLE DATA PLATE	1	
9	010-00048	CONSOLE FRAME	1	
20	330-00049	PLUG, O-RING BOSS	3	
21	330-00009	MALE PIPE TO MALE JIC	2	
22	330-00085	ELBOW, MALE PIPE TO MALE JIC	1	
24	190-00450	LIMIT SWITCH	1	
25	190-00451	LIMIT SWITCH ASSEMBLY	1	
26	*190-00451	CONTROL BOX ASSEMBLY	1	
27	**810-00080	5 SECTIONS CONTROL VALVE ASSEMBLY	1	
28	**810-00056	DUMPER STOP BELT VALVE ASSEMBLY	1	

* See control box detail in this section

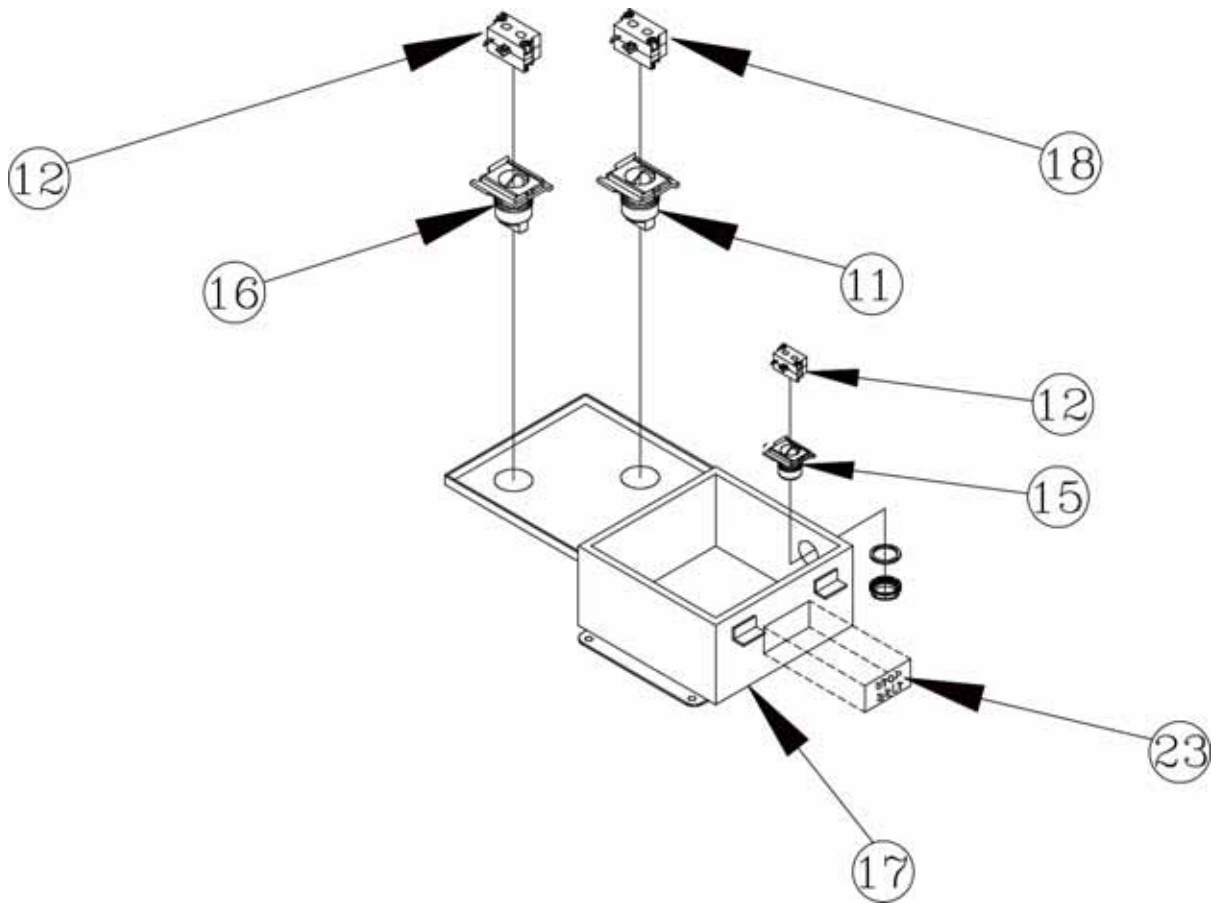
** See Hydraulic detail in section (10)



Cage Unloading System

CONTROL BOX DETAIL (STYLE "A")

Cage Unloading System Without Door Closer And Washer





Cage Unloading System

CONTROL BOX DETAIL (STYLE "A")

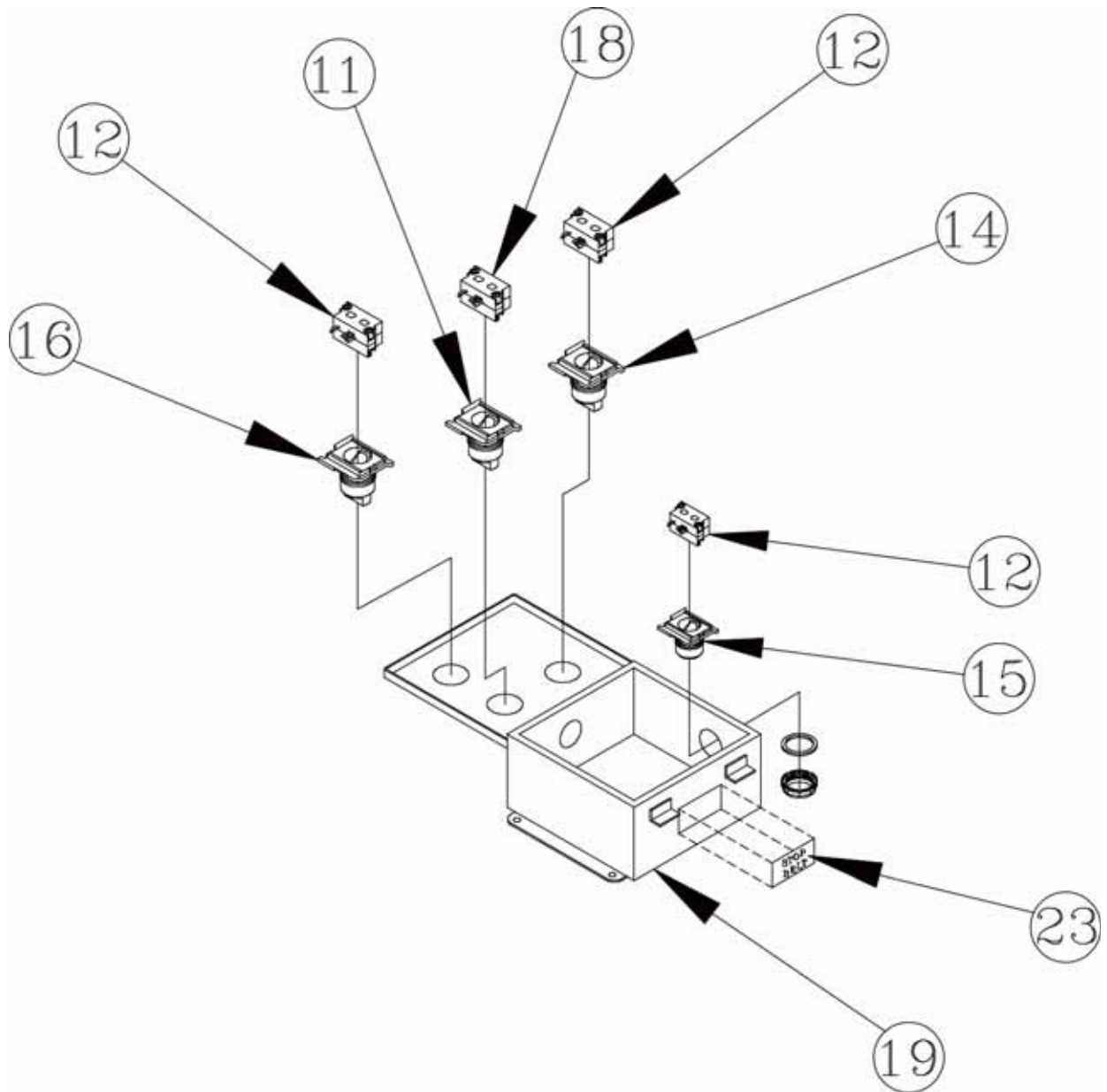
ITEM	PART NUMBER	DESCRIPTION	QTY	MODEL OR SERIAL #
11	190-00015	SELECTOR, 3 POSITION	1	
12	190-00026	CONTACT BLOCK	2	
15	190-00497	YELLOW PUSH BUTTON	1	
16	430-00152	KEY SWITCH	1	
17	190-00119	OPERATOR CONTROL BOX, STYLE "A" (BOX ONLY)	1	
18	190-00018	CONTACT BLOCK	1	
23	360-00085	DATA TAG (STOP BELT)	1	



Cage Unloading System

CONTROL BOX DETAIL (STYLE "B")

Cage Unloading System With Door Closer And Without Washer





Cage Unloading System

CONTROL BOX DETAIL (STYLE "B")

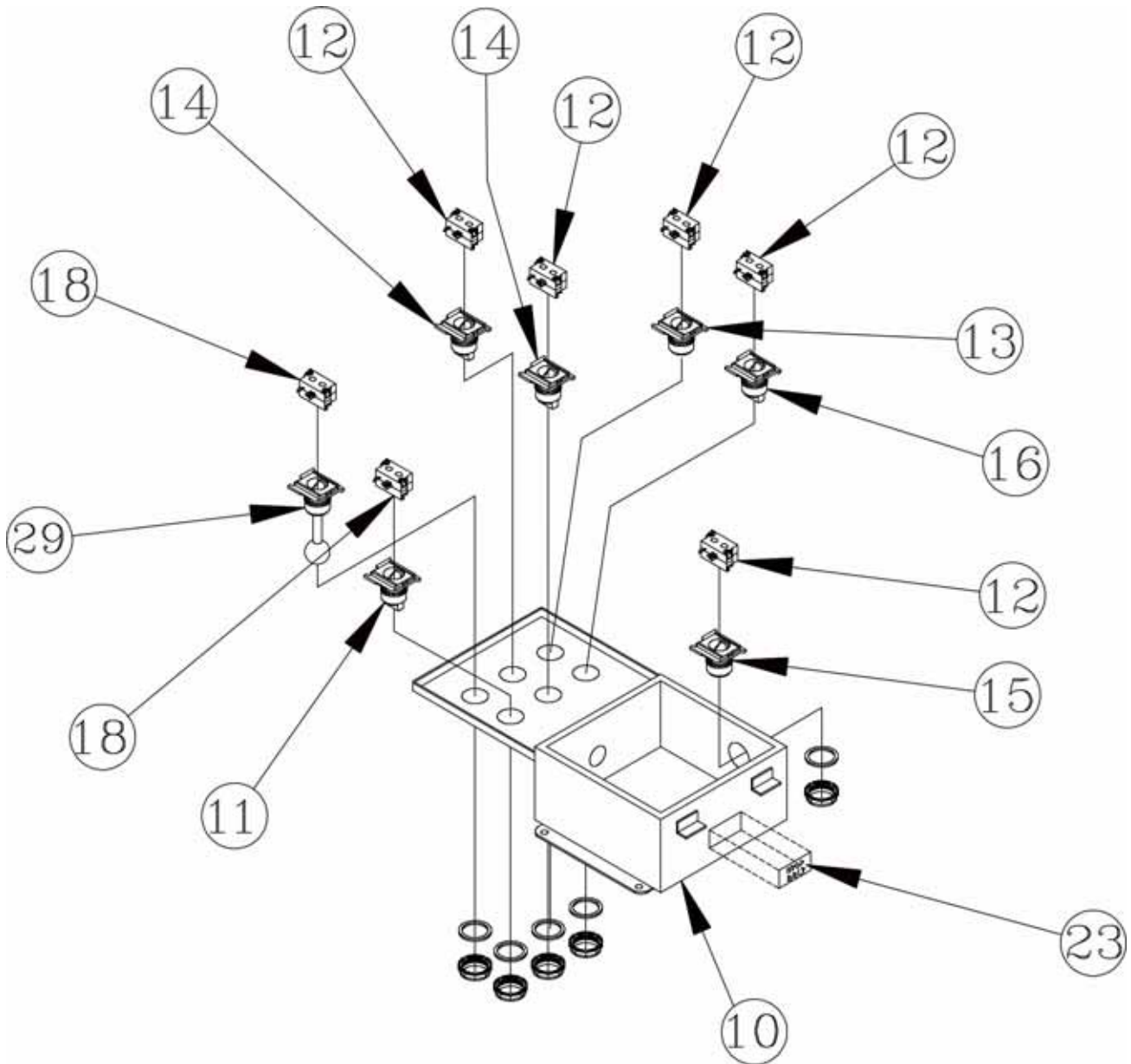
ITEM	PART NUMBER	DESCRIPTION	QTY	MODEL OR SERIAL #
11	190-00015	SELECTOR, 3 POSITION	1	
12	190-00026	CONTACT BLOCK	3	
14	190-00014	SELECTOR, 2 POSITION	1	
15	190-00497	YELLOW PUSH BUTTON	1	
16	430-00152	KEY SWITCH	1	
18	190-00018	CONTACT BLOCK	1	
23	360-00085	DATA TAG (STOP BELT)	1	



Cage Unloading System

CONTROL BOX DETAIL (STYLE "C")

Cage Unloading System With Door Closer And With Washer





Cage Unloading System

CONTROL BOX DETAIL (STYLE "C")

ITEM	PART NUMBER	DESCRIPTION	QTY	MODEL OR SERIAL #
10	190-00074	OPERATOR CONTROL BOX, STYLE "C" (BOX ONLY)	1	
11	190-00015	SELECTOR, 3 POSITION	1	
12	190-00026	CONTACT BLOCK	5	
13	190-00013	MUSHROOM HEAD PUSH BUTTON GREEN	1	
14	190-00014	SELECTOR, 2 POSITION	2	
15	190-00497	YELLOW PUSH BUTTON	1	
16	430-00152	KEY SWITCH	1	
18	190-00018	CONTACT BLOCK, WASHER TILT AND PUMP 1 & 2	AS REQ'D	
23	360-00085	DATA TAG (STOP BELT)	1	
29	190-00022	JOYSTICK	1	



Cage Unloading System



Cage Unloading System



Section 8

Door Closer

Contents

Door Closer (Free Standing Style)- - - - -	2
Door Closer (Gantry Style) - - - - -	4
Door Closer Mechanism Detail (Gantry Style) - - - - -	6

Notes: See Section 10 For Hydraulic Valve



Cage Unloading System

DOOR CLOSER (Free Standing Style)

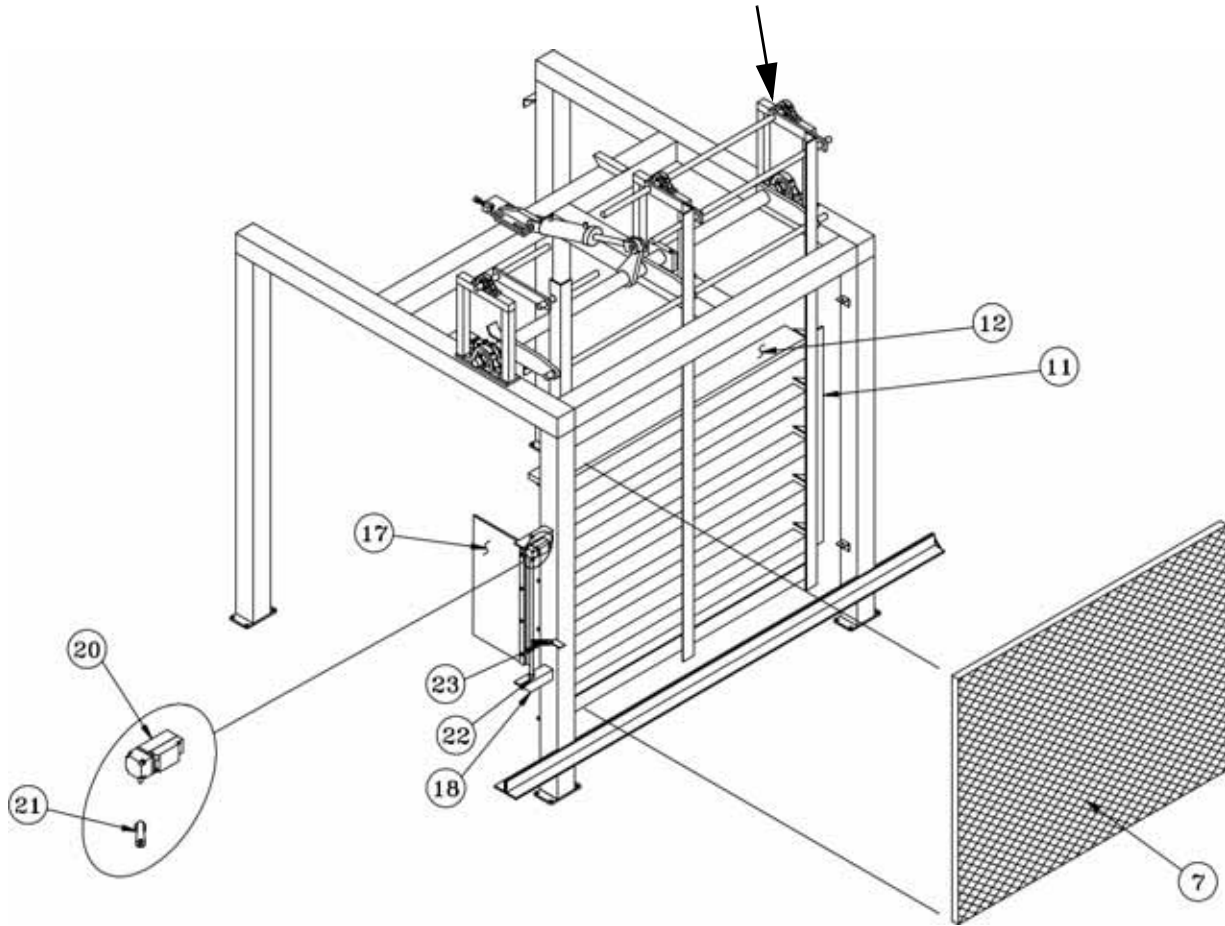
ITEM	PART NUMBER	DESCRIPTION	QTY	MODEL OR SERIAL #
1	010-00040	CYLINDER ADJUSTMENT ASSEMBLY	1	
2	170-00002	LIFT CYLINDER	1	
3	010-00161	MAIN LIFT SHAFT ASSEMBLY	1	
4	010-00043	DOOR PADDLE ASSEMBLY	1	
4A	410-00030	THERMOPLASTIC SWITCH FLAP (3/8" X 9-1/2" X 25-1/2")	1	
5	370-00006	SET COLLAR, DOOR PADDLE	2	
6	190-00450	LIMIT SWITCH	2	
7	190-00451	LIMIT SWITCH ARM	2	
8	410-00324	DOOR PADDLE SPRING	1	
9	010-00163	UHMW BEARING (TOP AND BOTTOM HALF)	2	
10	410-00062	THERMOPLASTIC PADS	AS REQUIRED	
11	030-00018	FLANGE BEARING (1-7/16" WITH 4 BOLTS)	8	
12	010-00183	CYLINDER UPPER PIN	1	
13	030-00092	BEARING	1	
14	690-00059	BUSHING	4	
15	091-00341L	LOWER STUB SHAFT ASSEMBLY	1	
16	091-00341R	LOWER STUB SHAFT ASSEMBLY	1	



Cage Unloading System

DOOR CLOSER (Gantry Style)

See Door Closer
Mechanism Detail





Cage Unloading System

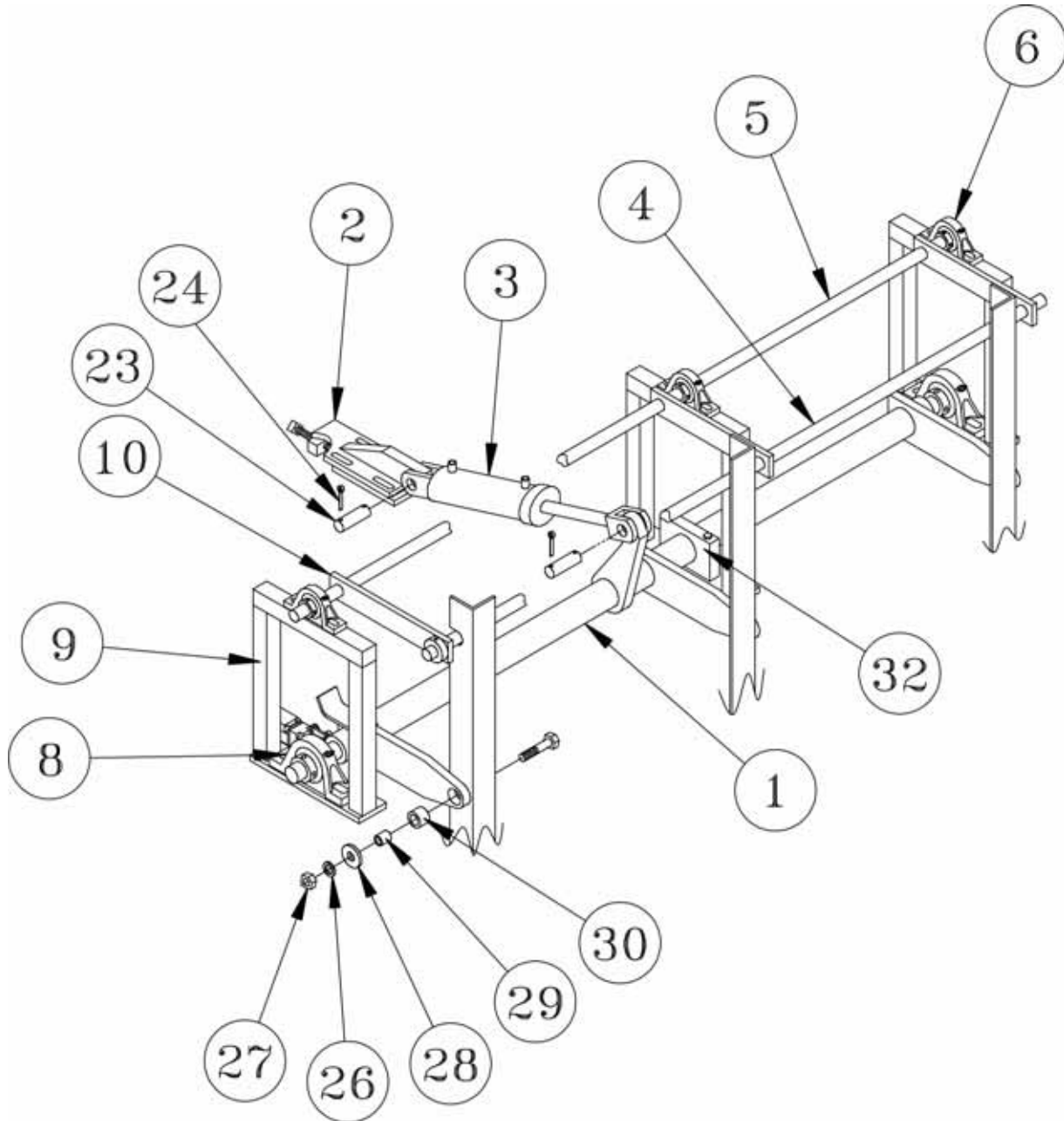
DOOR CLOSER (Gantry Style)

ITEM	PART NUMBER	DESCRIPTION	QTY	MODEL OR SERIAL #
7	010-00041	SAFETY GUARD	1	
11	010-00044	DOOR LIFT ASSEMBLY (COMPLETE)	1	
12	410-00062	THERMOPLASTIC PAD	AS REQUIRED	
17	010-00043	DOOR PADDLE ASSEMBLY	1	
17A	410-00030	THERMOPLASTIC SWITCH FLAP	1	
18	010-00045	DOOR PADDLE MOUNT BRACKET	2	
20	190-00450	LIMIT SWITCH	2	
21	190-00451	LIMIT SWITCH ARM	2	
22	370-00006	SET COLLAR, DOOR PADDLE	2	
23	410-00324	DOOR PADDLE SPRING	1	



Cage Unloading System

DOOR CLOSER MECHANISM DETAIL (Gantry Style)





Cage Unloading System

DOOR CLOSER MECHANISM DETAIL (Gantry Style)

ITEM	PART NUMBER	DESCRIPTION	QTY	MODEL OR SERIAL #
3	170-00002	LIFT CYLINDER	1	
4	670-00011	CANTILEVER SHAFT	1	
5	670-00011	PIVOT SHAFT	1	
6	030-00023	PILLOW BLOCK BEARING, UPPER	6	
8	030-00021	PILLOW BLOCK BEARING, LOWER	2	
9	010-00042	BEARING SUPPORT BRACKET	3	
10	410-00061	PIVOT ARM	3	
23	670-00007	CYLINDER PIN	2	
24	210-00147	CYLINDER PIN RETAINERS (COTTER PINS)	4	
25	210-00118	LIFT ARM AXLE BOLT	3	
26	210-00317	LIFT ARM AXLE LOCK	3	
27	210-00178	LIFT ARM AXLE NUT	3	
28	410-00065	LIFT ARM BEARING RETAINER WASHER	3	
29	030-00007	BEARING INNER RACE	3	
30	030-00009	BEARING OUTER RACE	3	
32	410-00134	UHMW DOOR CLOSER BEARING	1	



Cage Unloading System



Cage Unloading System



Section 9

Safety Fence and Gates

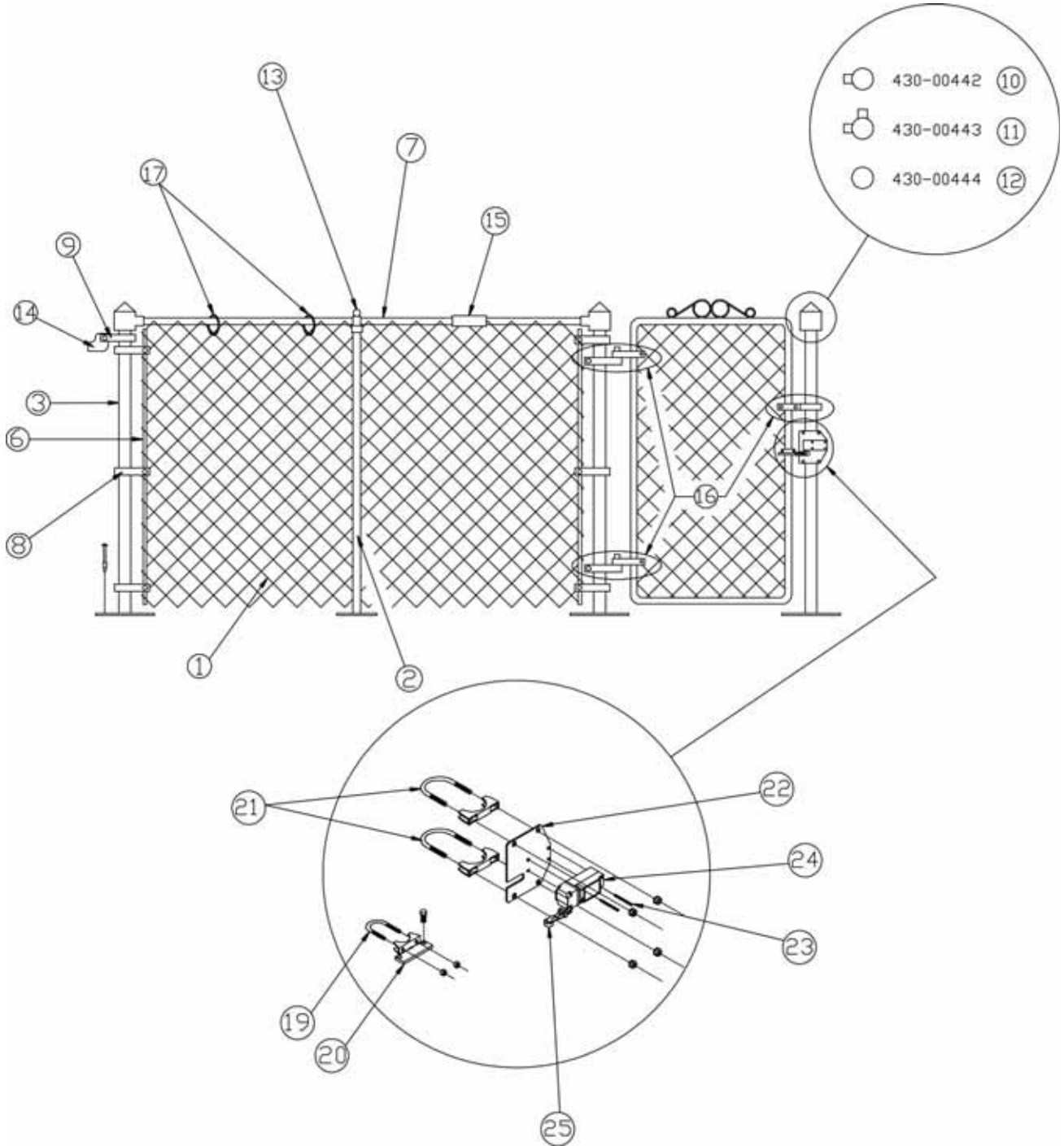
Contents

Safety Fence And Gates - - - - - 2



Cage Unloading System

SAFETY FENCE AND GATES





Cage Unloading System

SAFETY FENCE AND GATES

ITEM	PART NUMBER	DESCRIPTION	QTY	MODEL OR SERIAL #
1	430-00433	CHAIN LINK FABRIC 2-1/4" X 11.5GA X 60"(FT)	AS REQ'D	
2	430-00434	POST 1-5/8" X .047 X 5'-6"	AS REQ'D	
3	430-00435	POST 2-3/8" X .047 X 5'-6"	AS REQ'D	
4	430-00436	WALK THRU GATE BF 5' X 39"	AS REQ'D	
5	430-00437	WALK THRU GATE BF 5' X 60"	AS REQ'D	
6	430-00438	TENSION BAR 3/16" X 5/8" X 59"	AS REQ'D	
7	430-00439	TOP RAILS (PIPE) 1-3/8" X .047 X 21' (PER FT)	AS REQ'D	
8	430-00440	TENSION BAND 2-3/8" (LST-4)	AS REQ'D	
9	430-00441	BRACE BAND 2-3/8" (MSB-4)	AS REQ'D	
10	430-00442	1-WAY PT 2-3/8" (PTT-411)	AS REQ'D	
11	430-00443	2-WAY PT 2-3/8" (PTT-412)	AS REQ'D	
12	430-00444	PLAIN TOP PT 2-3/8" (PTT-4)	AS REQ'D	
13	430-00445	LINE POST TOPS 1-5/8" X 1-3/8" (ELT-21)	AS REQ'D	
14	430-00446	OFF-SET ALUMINUM RAIL ENDS 1-3/8" (LREO-1)	AS REQ'D	
15	430-00447	RAIL SLEEVE 1-3/8" X 6" (TS-1)	AS REQ'D	
16	430-00448	WALK GATE HINGE SET (WCS-4)	AS REQ'D	
17	430-00449	ALUMINUM #13 WIRE TIE 9 GA. X 6-1/2"	AS REQ'D	
18	430-00450	CARRIAGE BOLT WITH NUTS, GALV. 5/16" X 1-1/4"	AS REQ'D	
19	210-00581	1-1/4" MUFFLER CLAMP	1	
20	410-00314	SAFETY GATE LIMIT SWITCH TRIP PLATE	1	
21	430-00320	2-1/4" MUFFLER CLAMP	2	
22	410-00331	SAFETY GATE LIMIT SWITCH MOUNT PLATE	1	
23	210-00248	SCREW, RH MACHINE 10-32 X 2"	2	
24	190-00450	LIMIT SWITCH	1	
25	190-00451	LIMIT SWITCH ARM	1	



Cage Unloading System



Cage Unloading System



Section 10

Hydraulic Components

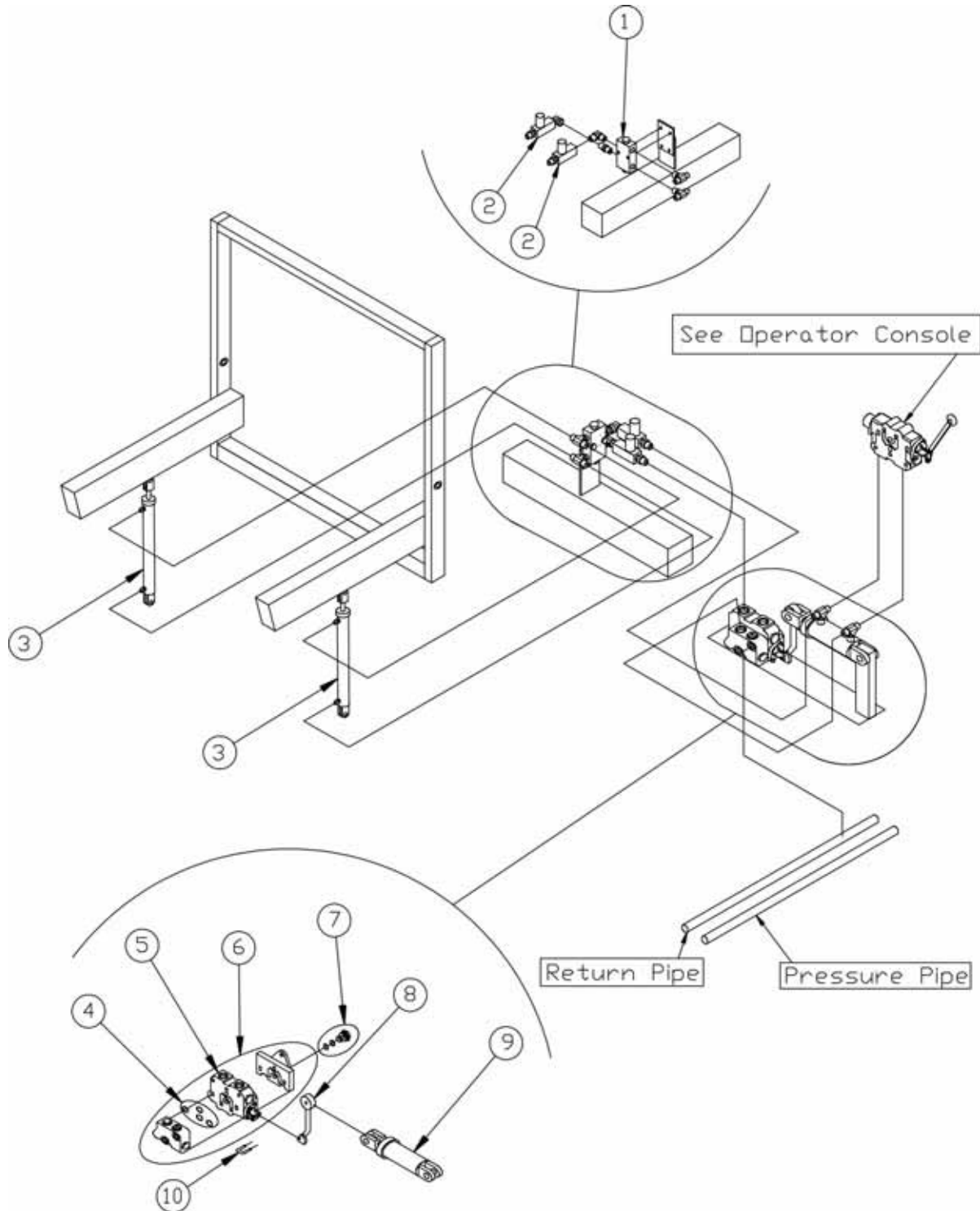
Contents

Anti-Shaking Device and Tilt Check Valves- - - - -	2
Hydraulic Control Valves (Manual) - - - - -	4
Hydraulic Control Valves (Electric) - - - - -	6



Cage Unloading System

ANTI-SHAKING DEVICE AND TILT CHECK VALVES





Cage Unloading System

ANTI-SHAKING DEVICE AND TILT CHECK VALVES

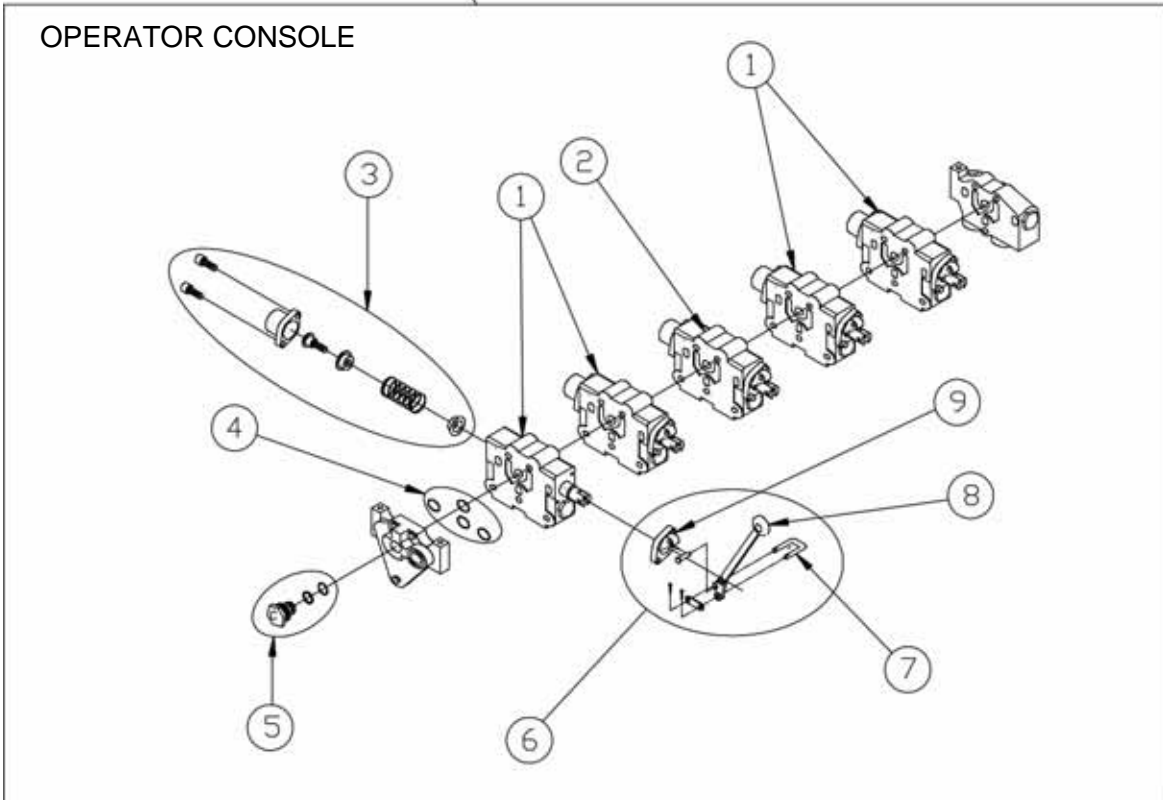
ITEM	PART NUMBER	DESCRIPTION	QTY	MODEL OR SERIAL #
1	810-00020	DOUBLE PILOTED CHECK VALVE	1	
2	330-00144	FLOW CONTROL VALVE	2	
3	170-00001	HYDRAULIC CYLINDER	2	
4	630-00018	SEAL KIT BETWEEN SECTIONS	2	
5	810-00014	WORK SECTION FOR CRADLE TILT	1	
6	810-00085	CONTROL VALVE (ANTI-SHAKE)	1	
7	810-00143	VALVE CENTER PLUG	1	
8	810-00042	ANTI-SHAKE VALVE SPECIAL LEVER	1	
9	170-00003	ANTI-SHAKE CYLINDER	1	
10	810-00004	CONNECTING LINK	1	



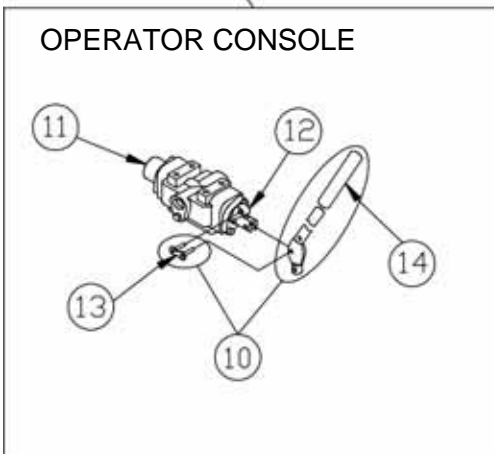
Cage Unloading System

HYDRAULIC CONTROL VALVE (Manual)

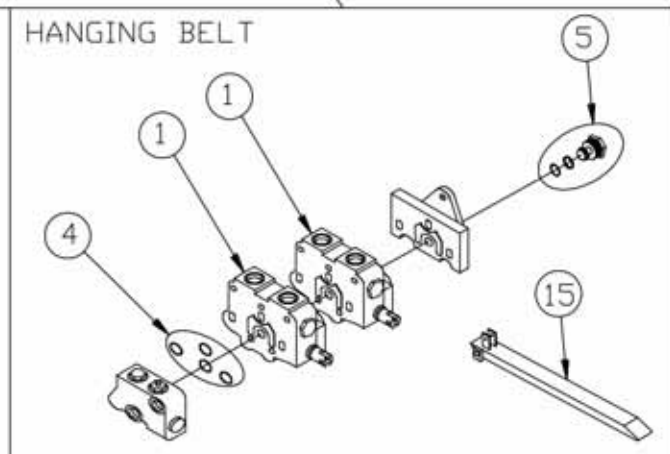
810-00080



810-00056



810-00084





Cage Unloading System

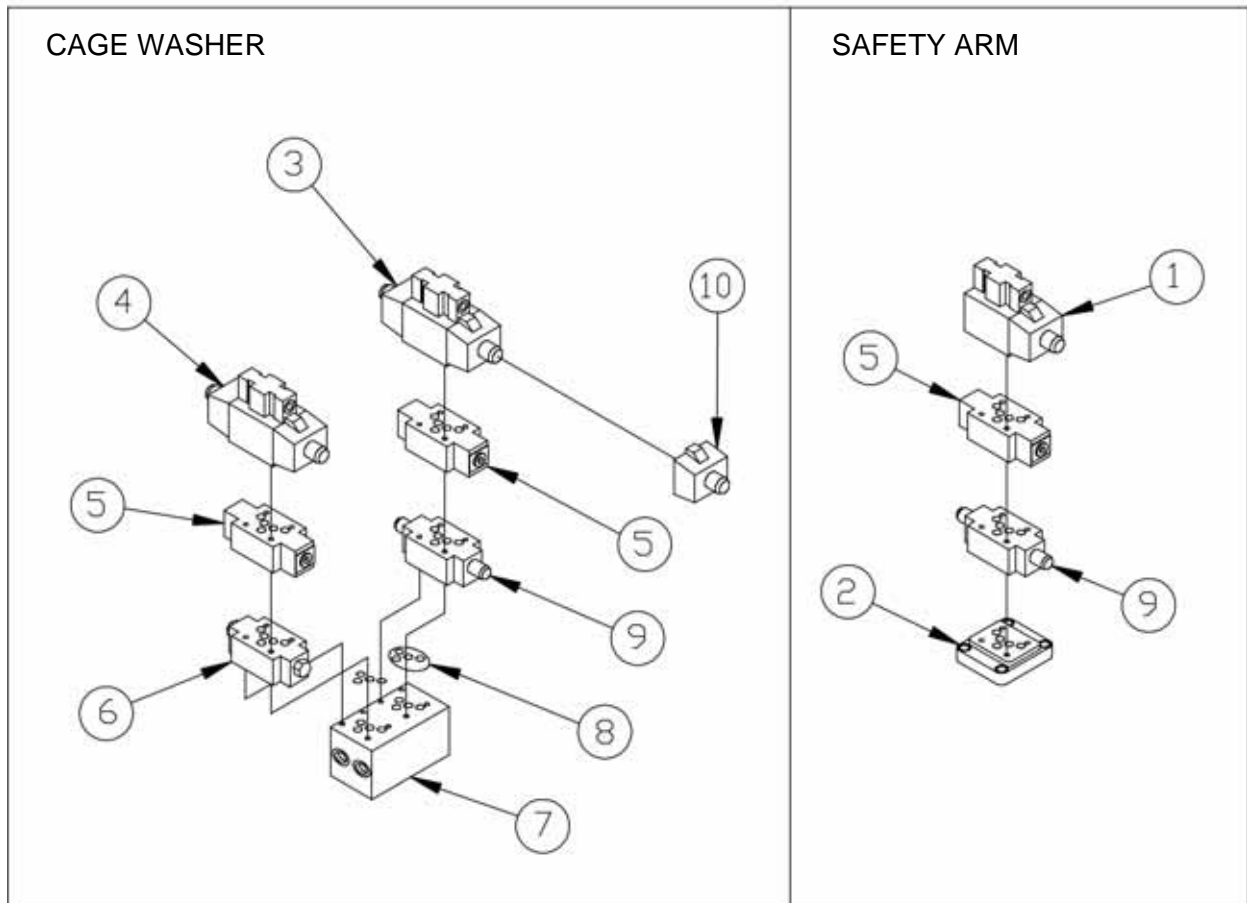
HYDRAULIC CONTROL VALVE (Manual)

ITEM	PART NUMBER	DESCRIPTION	QTY	MODEL OR SERIAL #
1	810-00013	WORK SECTION FOR MOTOR	6	
2	810-00014	WORK SECTION FOR CRADLE TILT	1	
3	810-00128	END CUP	7	
4	630-00018	SEAL KIT BETWEEN SECTIONS	AS REQ'D	
5	810-00143	VALVE CENTER PLUG	2	
6	810-00021	HANDLE KIT	5	
7	810-00004	CONNECTING LINK	7	
8	N/A	ORDER ITEM 6		
9	810-00062	HANDLE BRACKET	5	
10	810-00041	HANDLE KIT	1	
11	810-00048	END CAP	1	
12	810-00062	HANDLE BRACKET	1	
13	810-00003	CONNECTING LINK	1	
14	810-00044	HANDLE GRID	1	
15	810-00086	KNEE VALVE LEVER	1	



Cage Unloading System

HYDRAULIC VALVES (Electric)





Cage Unloading System

HYDRAULIC VALVES (Electric)

ITEM	PART NUMBER	DESCRIPTION	QTY	MODEL OR SERIAL #
1	810-00022	SOLENOID VALVE (SINGLE COIL)	2	
2	810-00060	SUB-PLATE	2	
3	810-00024	SOLENOID VALVE (DOUBLE COIL)	1	
4	810-00025	SOLENOID VALVE (DOUBLE COIL)	1	
5	810-00098	FLOW CONTROL	3	
6	810-00097	DOUBLE PILOTED CHECK VALVE	1	
7	810-00015	MANIFOLD BLOCK	1	
8		SEAL KIT (SANDWICH)		
9	810-00096	RELIEF VALVE	2	
10	810-00152	COIL		
11	091-20315	COIL	2	
12	091-20317	CARTRIDGE VALVE	2	
13	09120316	MANIFOLD BLOCK	2	



Cage Unloading System



Cage Unloading System

Section 11

Safety Placards

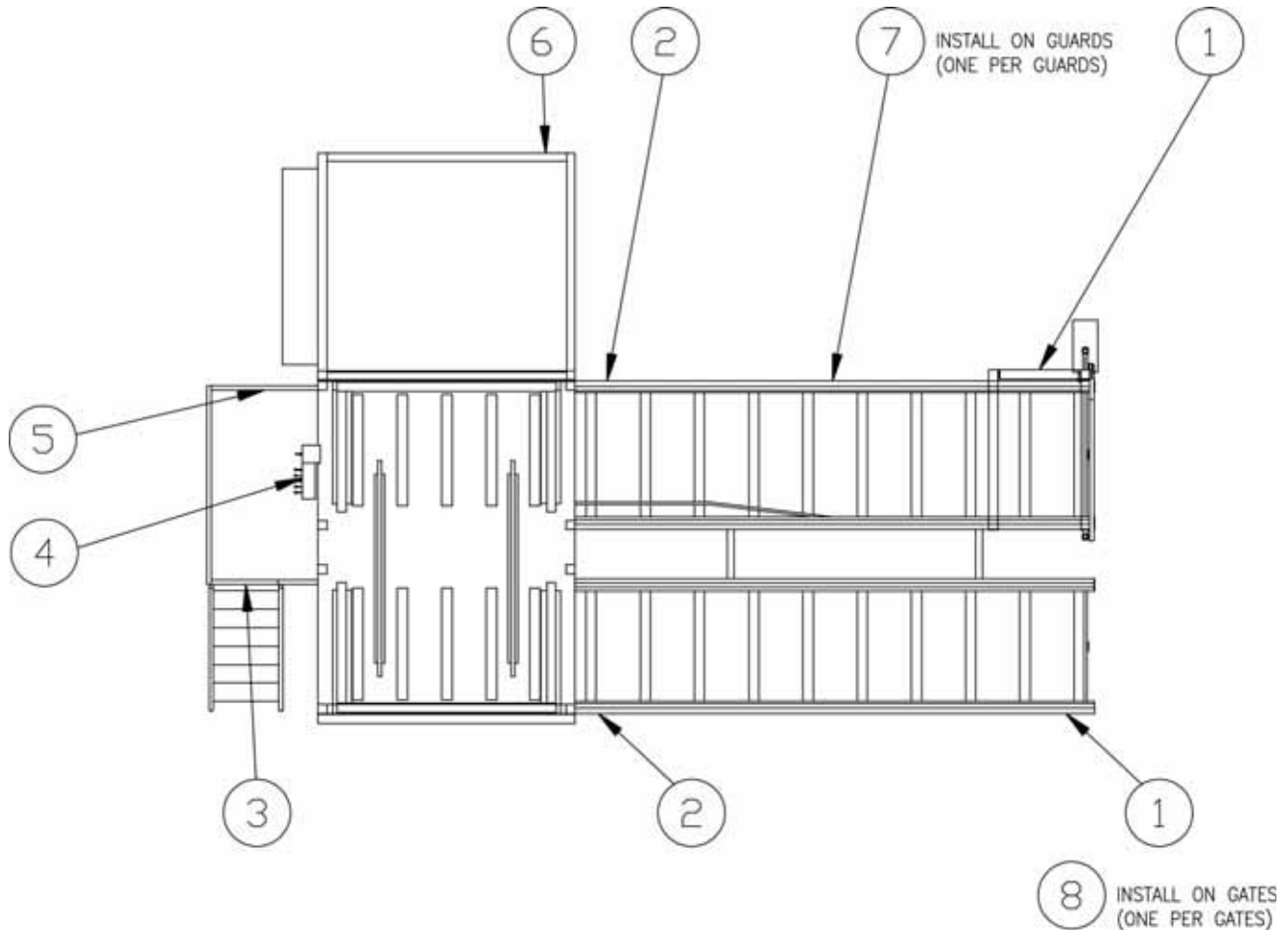
Contents

Safety Placards -	2
Safety Placards -	4



Cage Unloading System

SAFETY PLACARDS





Cage Unloading System

SAFETY PLACARDS

ITEM	PART NUMBER	DESCRIPTION	QTY	MODEL OR SERIAL #
1	360-00019	CAUTION STAND CLEAR WHILE MACHINE IN OPERATION	2	
2	360-00018	CAUTION DO NOT MAKE ADJUSTMENTS	2	
3	360-00015	CAUTION ONLY 1 PERSON ON CONTROL PLATFORM	1	
4	360-00020	SAFETY FIRST FAILURE TO READ AND UNDERSTAND	1	
5	360-00024	DANGER IT IS THE OPERATOR'S RESPONSIBILITY	1	
6	360-00023	WARNING THIS BELT CAN TRAP AND INJURE FINGERS	1	
7	360-00016	CAUTION DO NOT ATTEMPT TO REMOVE GUARDS	AS REQ'D	
8	360-00017	DANGER DO NOT ENTER WHILE MACHINE IS IN OPERATION	3	



Cage Unloading System

SAFETY PLACARDS



360-00015



360-00016



360-00017



360-00018



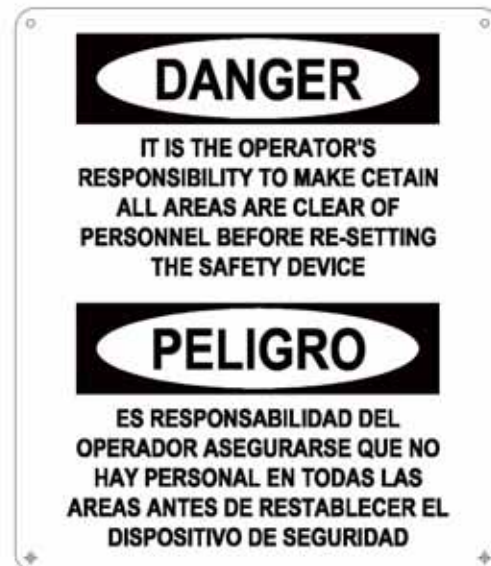
360-00019



360-00020



360-00023



360-00024



Cage Unloading System

SAFETY PLACARDS

ITEM	PART NUMBER	DESCRIPTION	QTY	MODEL OR SERIAL #
	360-00015	CAUTION ONLY 1 PERSON ON CONTROL PLATFORM	1	
	360-00016	CAUTION DO NOT ATTEMPT TO REMOVE GUARDS	AS REQ'D	
	360-00017	DANGER DO NOT ENTER WHILE MACHINE IS IN OPERATION	3	
	360-00018	CAUTION DO NOT MAKE ADJUSTMENTS	2	
	360-00019	CAUTION STAND CLEAR WHILE MACHINE IN OPERATION	2	
	360-00020	SAFETY FIRST FAILURE TO READ AND UNDERSTAND	1	
	360-00023	WARNING THIS BELT CAN TRAP AND INJURE FINGERS	1	
	360-00024	DANGER IT IS THE OPERATOR'S RESPONSIBILITY	1	



Cage Unloading System



Cage Unloading System



Section 12

Hydraulic Power Unit

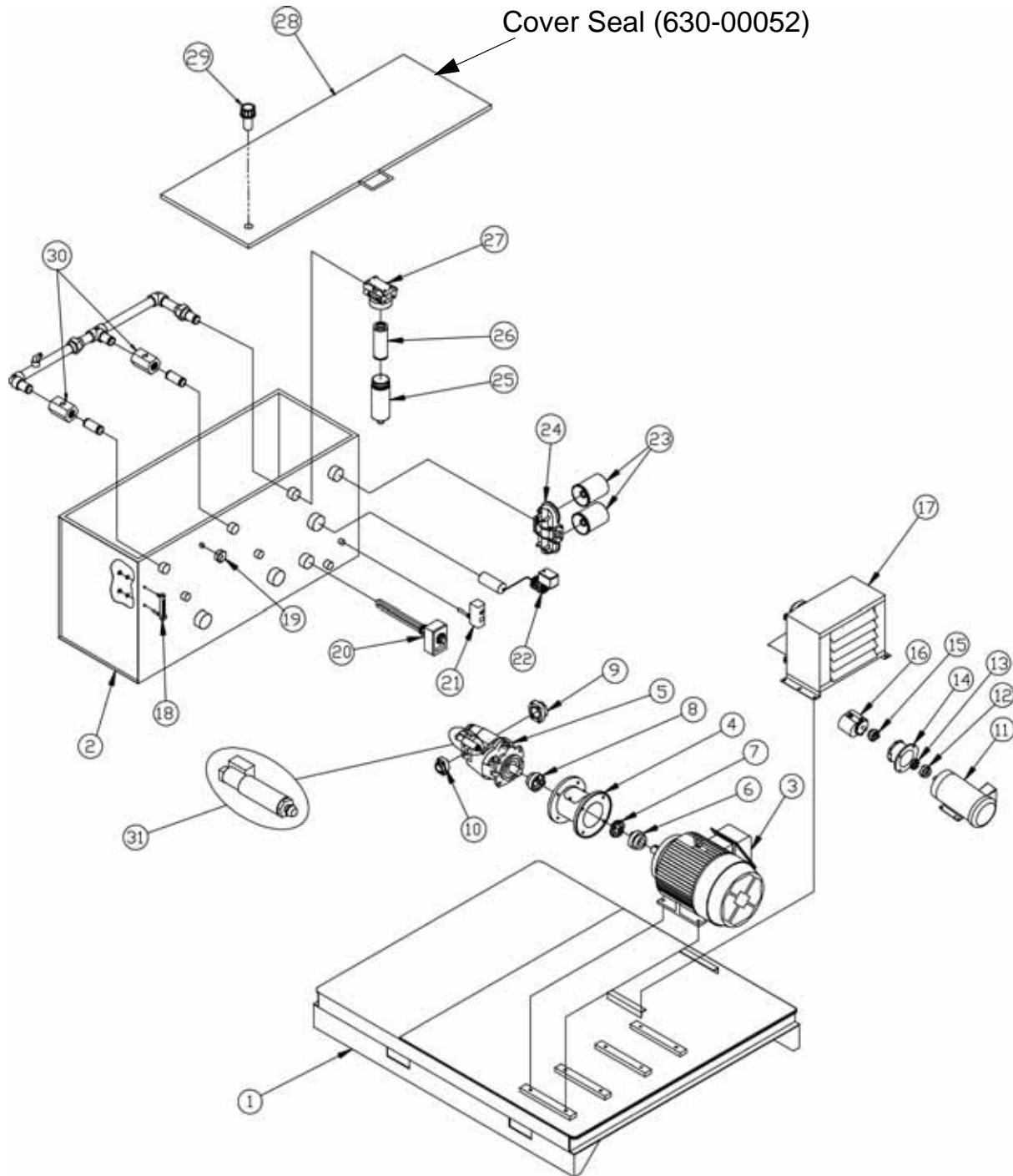
Contents

Hydraulic Power Unit (Up to August 2011) - - - - -	2
Hydraulic Power Unit (Up to August 2011) - - - - -	4
Hydraulic Power Unit (September 2011 and Up) - - - - -	6
Hydraulic Power Unit (September 2011 and Up) - - - - -	8
Hydraulic Tank (September 2011 and Up) - - - - -	10
12 GPM Kidney Loop Detail (September 2011 and Up)- - - - -	12



Cage Unloading System

HYDRAULIC POWER UNIT (UP to August 2011)





Cage Unloading System

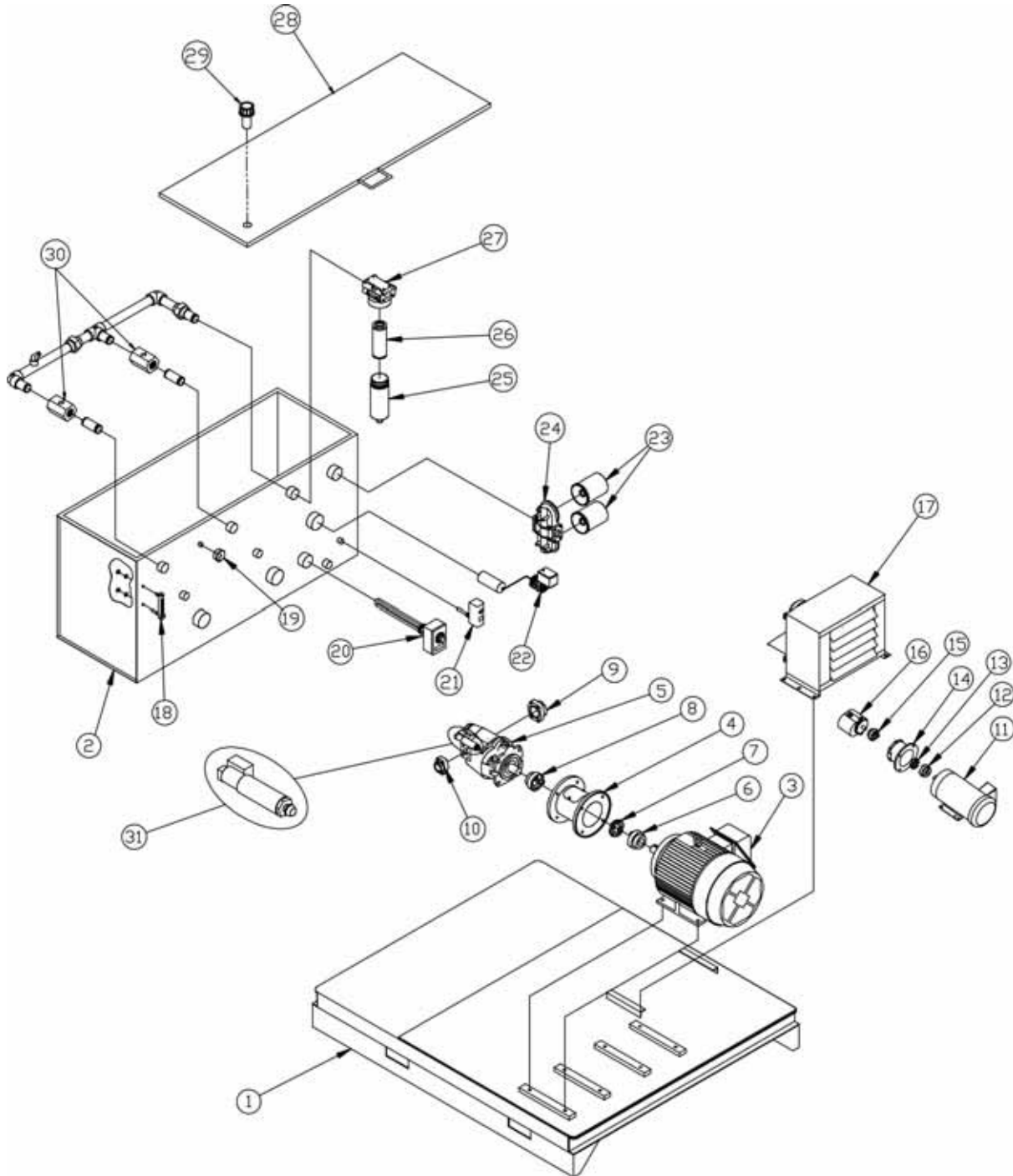
HYDRAULIC POWER UNIT (UP to August 2011)

ITEM	PART NUMBER	DESCRIPTION	QTY	MODEL OR SERIAL #
1	010-00092	HYDRAULIC BASE	1	
2	010-00093	HYDRAULIC TANK	1	
3	450-00042	HIGH EFFICIENCY 40HP BALDOR MOTOR	2	
3A	450-00028	HIGH EFFICIENCY 30HP BALDOR MOTOR	2	
4	450-00041	COUPLING HOUSING FOR 40HP MOTOR ("C" FLANGE)	2	
4A	450-00040	COUPLING HOUSING FOR 30HP MOTOR ("C" FLANGE)	2	
4B	450-00005	COUPLING HOUSING FOR 30HP MOTOR ("D" FRANGE)	2	
5	530-00026	60 GPM PUMP (PVM 131- "C" FLANGE)	2	
5A	530-00029	65 GPM PUMP (PVM 141 - "C" FLANGE)	2	
5B	530-00001	60 GPM PUMP (PUM 131 -"D" FLANGE)	2	
6	150-00044	COUPLING HALF MOTOR SIDE (2-1/8" - 40HP)	2	
6A	150-00003	COUPLING HALF MOTOR SIDE (1-7/8" - 30HP)	2	
7	150-00007	COUPLING INSERT (40HP)	2	
7A	150-00004	COUPLING INSERT (30HP)	2	
8	150-00056	COUPLING HALF PUMP SIDE (1-1/2" (60 GPM-40HP))	2	
8A	150-00043	COUPLING HALF PUMP SIDE (1-1/2" (60 GPM-30HP))	2	
8B	150-00045	COUPLING HALF PUMP SIDE (1-1/4" (65 GPM-40HP))	2	
8C	150-00002	COUPLING HALF PUMP SIDE (1-3/4" (60 GPM -30HP))	2	
9	150-00018	FLANGE FOR SUCTION PORT (2-1/2")	2	
10	150-00019	FLANGE FOR PRESSURE PORT (1-1/4")	2	
11	010-00190	1 HP BALDOR MOTOR	1	
12	530-00034.1	COUPLING HALF MOTOR SIDE (7/8"	1	
13	530-00034.3	COUPLING INSERT	1	
14	530-00034.5	COUPLING HOUSING	1	
15	530-00034.2	COUPLING HALF PUMP SIDE (5/8")	1	
16	530-00034.4	PUMP (3 GPM)	1	
17	310-00001	OIL COOLER (AIR - OIL)	1	
17A	310-00006	OIL COOLER (WATER - OIL)	1	
18	290-00003	SIGHT GAUGE WITH THERMOMETER	1	
19	290-00020	PRESSURE GAUGE (3000 PSI)	1	
20	190-00066	OIL HEATER	1	
21	190-00211A1	TEMPERATURE CONTROLLER	1	
	190-00211A2	CLIP-ON COPPER WELL	1	
22	190-00070	LIQUID LEVEL SWITCH	1	
23	230-00060	RETURN FILTER WITH GLASS MEDIA	4	
24	230-00022	RETURN FILTER HEAD	2	
25	230-00015	PRESSURE FILTER (CAN ONLY)	1	



Cage Unloading System

HYDRAULIC POWER UNIT (UP to August 2011)





Cage Unloading System

HYDRAULIC POWER UNIT (UP to August 2011)

ITEM	PART NUMBER	DESCRIPTION	QTY	MODEL OR SERIAL #
26	230-00016	PRESSURE FILTER (ELEMENT ONLY)	1	
27	230-00017	PRESSURE FILTER (HEAD ONLY)	1	
28		INCLUDE WITH ITEM 2		
29	230-00030	FILLER CAP	1	
30	810-00073	CHECK VALVE	2	
31	010-00073	COMPENSATOR KIT (VICKERS PUMP)	1	
	010-000162	COMPENSATOR KIT (REXROTH PUMP)	1	



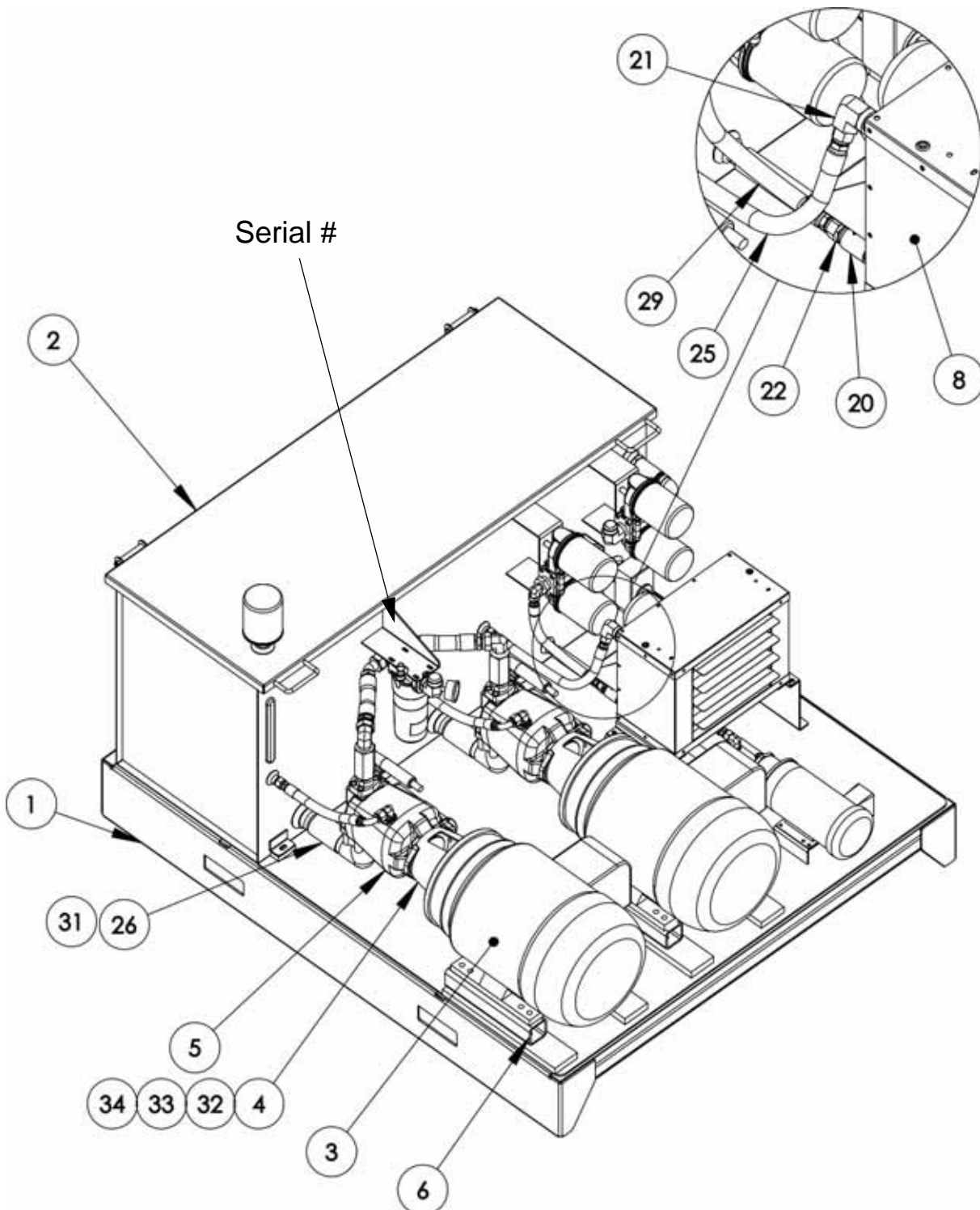
Cage Unloading System

HYDRAULIC POWER UNIT (September 2011 and Up)

60 GPM & 40 HP-(091-22200)

60 GPM & 30 HP-(091-22201)

65 GPM & 40 HP-(091-22202)





Cage Unloading System

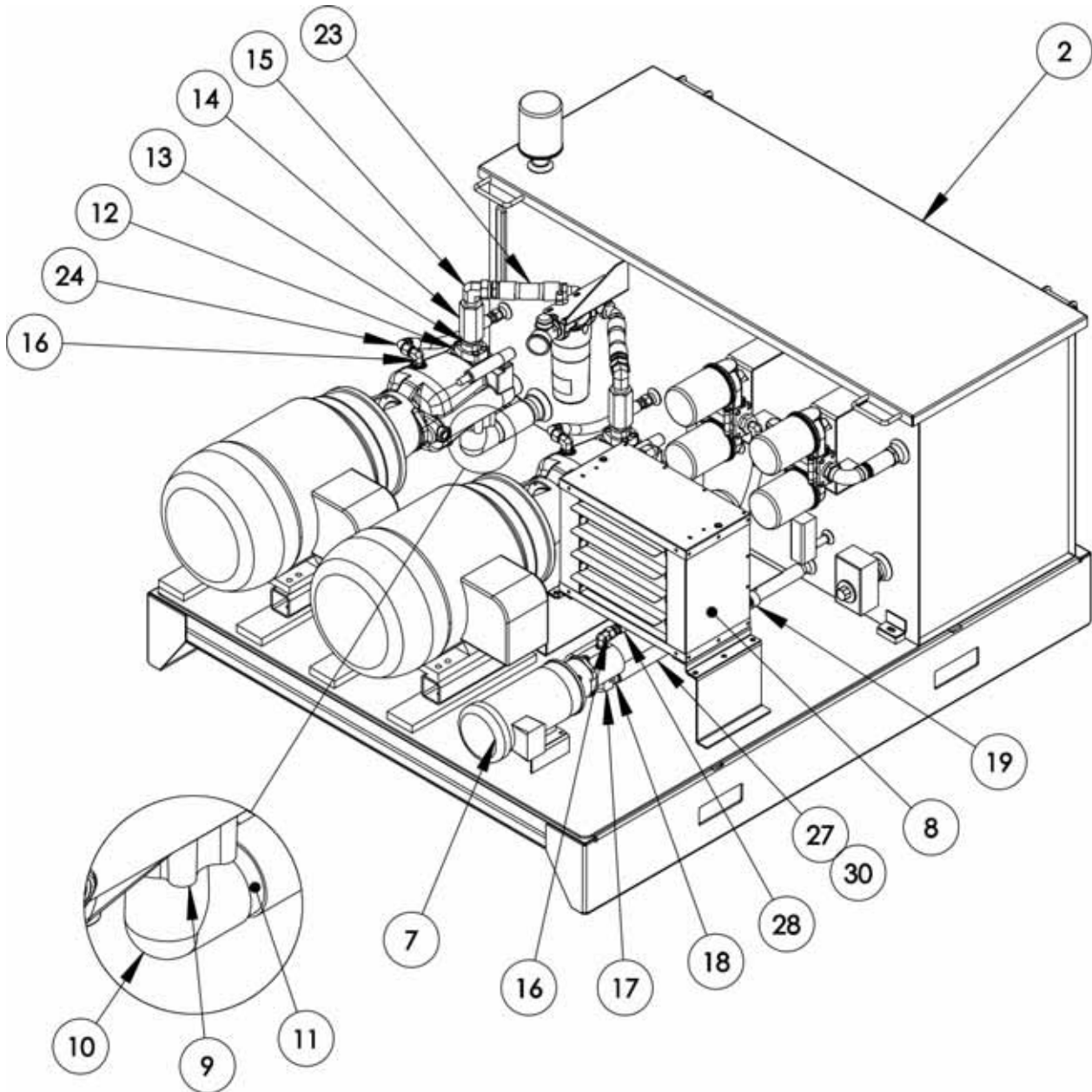
HYDRAULIC POWER UNIT (September 2011 and Up)

ITEM	PART NUMBER	DESCRIPTION	QTY	MODEL OR SERIAL #
1	091-22100	POWER UNIT BASE WELDMENT	1	
2	091-22200	HYDRAULIC TANK ASSEMBLY	1	
3	450-00042	HIGH EFFICIENCY 40 HP BALDOR MOTOR	2	
3A	450-00028	HIGH EFFICIENCY 30 HP BALDOR MOTOR	2	
4	450-00041	MAGNALOY COUPLING HOUSING FOR 40 HP MOTOR	2	
4A	450-00040	MAGNALOY COUPLING HOUSING FOR 30 HP MOTOR	2	
5	530-00026	PRESSURE COMPENSATED 60 GPM PUMP (PVM-131 "C" FLANGE)	2	
5A	530-00029	PRESSURE COMPENSATED 65 GPM PUMP (PVM-141 "C" FLANGE)	2	
6	091-20184	MOUNTING SPACER (40 HP MOTOR)	4	
6A	091-20183R	MOUNTING SPACER R HS (30 HP MOTOR)	2	
6B	091-20183L	MOUNTING SPACER L HS (30 HP MOTOR)	2	
8	310-00001	OIL COOLER	1	
20	510-00036	COUPLING STEEL STD. PIPE	1	
21	330-00378	FEMALE ELBOW (1" NPT FEMALE 12 JIC MALE)	1	
22	330-00011	MALE CONNECTOR (1" NPT 12 JIC)	1	
25	091-20191	RETURN HOSE 3/4" (OIL COOLER TO HYDRAULIC TANK)	1	
26	330-00576	SUCTION HOSE 2-3/4" ID X 4-3/4" LG	2	
29	091-20192	RETURN HOSE 3/4" (FILTER TO COOLER)	1	
31	370-00023	T-BOLT CLAMP	4	
32	150-00044	COUPLING HALF MOTOR SIDE (2-1/8" HUB) (40 HP)	2	
32A	150-00003	COUPLING HALF MOTOR SIDE (1-7/8" HUB) (30 HP)	2	
33	150-00007	COUPLING INSERT (NEOPRENE) (40 HP)	2	
33A	150-00004	COUPLING INSERT (NEOPRENE) (30 HP)	2	
34	150-00056	COUPLING HALF PUMP SIDE (1-1/2" HUB) (60 GPM / 40 HP)	2	
34A	150-00043	COUPLING HALF PUMP SIDE (1-1/2" HUB) (60 GPM / 30 HP)	2	
34B	150-00045	COUPLING HALF PUMP SIDE (1-1/4" HUB) (60 GPM / 40 HP)	2	



Cage Unloading System

HYDRAULIC POWER UNIT (September 2011 and Up)





Cage Unloading System

HYDRAULIC POWER UNIT (September 2011 and Up)

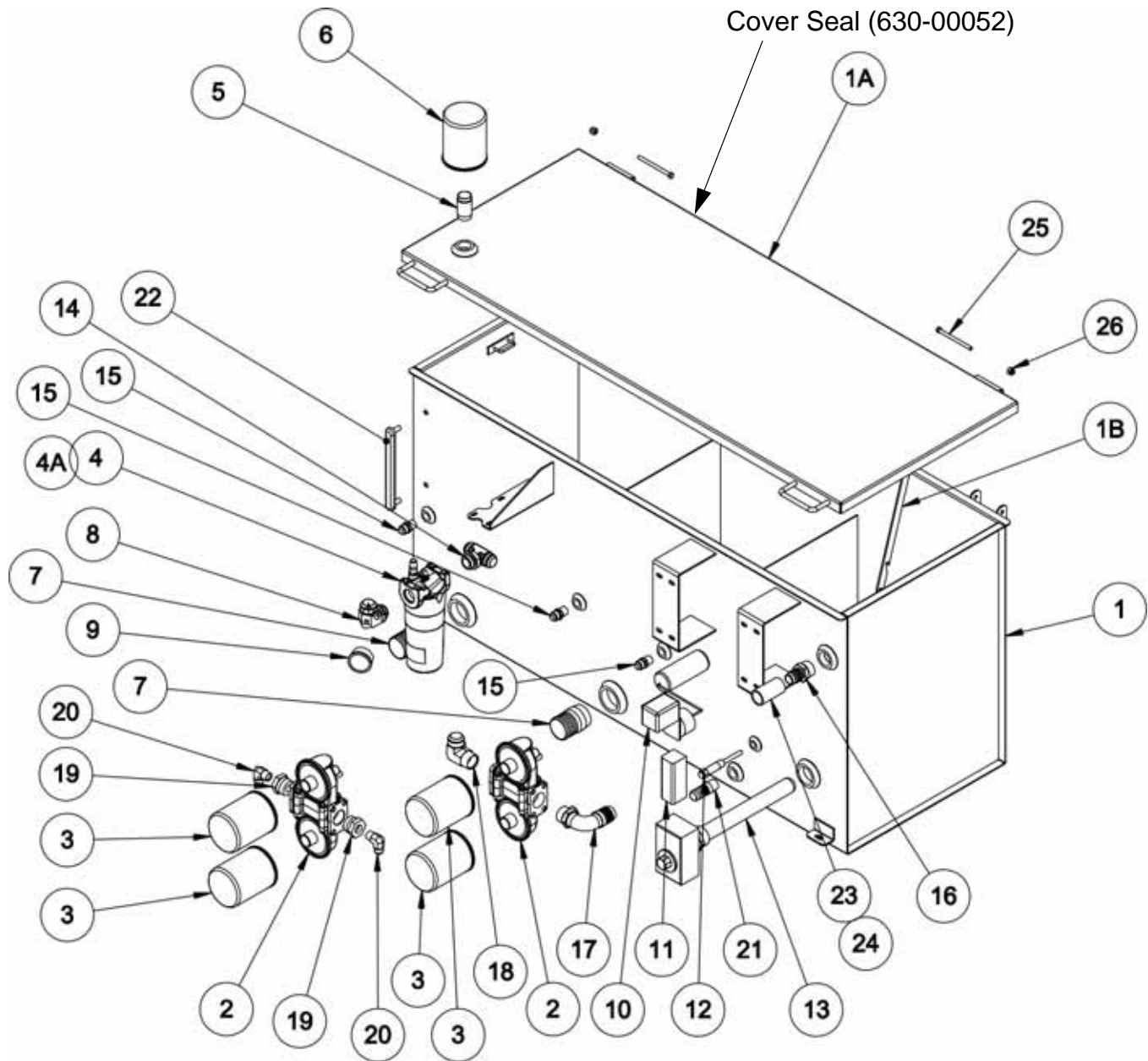
ITEM	PART NUMBER	DESCRIPTION	QTY	MODEL OR SERIAL #
2	091-22200	HYDRAULIC TANK	1	
7	530-00038	12 GPM FOR KIDNEY LOOP (*NOTE BELOW)	1	
8	310-00001	OIL COOLER	1	
9	150-00018	FLANGE, 4 BOLT 2-1/2" (SUCTION PORT) FOR 131 & 141 PUMPS	2	
10	510-00058	ELBOW STREET	2	
11	510-00192	SPECIAL HOSE BARB 4" LG (2-1/2" NPT, 1-3/4" BARB)	2	
14	810-00072	CHECK VALVE 1-1/4" NPT	2	
15	330-00088	MALE ELBOW (1-1/4" NPT JIC)	2	
16	330-00106	STRAIGHT THREAD ELBOW (10 ORB-12 JIC)	3	
17	330-00753	FEMALE PIPE ELBOW (16 ORB 1" NPT)	1	
18	330-00746	HOSE BARB ADAPTER (1" NPT, 1-1/4" BARB)	1	
19	510-00027	THREADED CAP 1" NPT (3000 PSI)	1	
23	091-20181	PRESSURE HOSE 1-1/4" (PUMP TO PRESSURE FILTER)	2	
24	091-20190	DRAIN HOSE 3/4" (PUMP DRAIN TO HYDRAULIC TANK)	2	
27	330-00303	RETURN HOSE 1-1/4" ID X 29-1/2" LG	1	
28	091-20192	RETURN HOSE 3/4" (KIDNEY LOOP PUMP TO FILTER)	1	
30	330-00324	T-BOLT CLAMP	2	

* See 12 GPM Kidney Loop Detail for Replacement Parts.



Cage Unloading System

HYDRAULIC TANK (091-22210) (September 2011 and Up)





Cage Unloading System

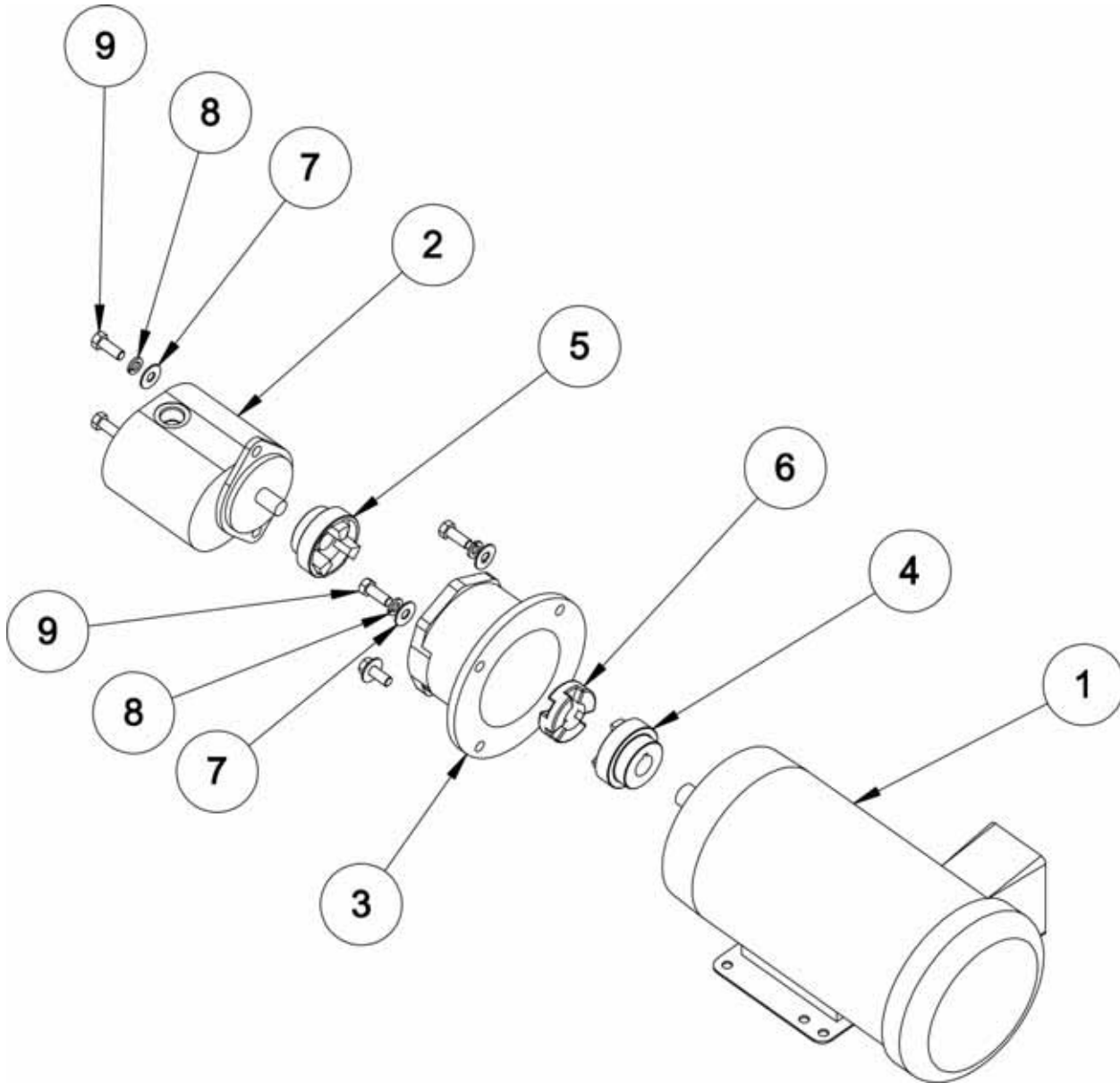
HYDRAULIC TANK (091-22210) (September 2011 and Up)

ITEM	PART NUMBER	DESCRIPTION	QTY	MODEL OR SERIAL #
1	091-22210	STEEL HYDRAULIC TANK WELDMENT (INCLUDE ITEMS 1A & 1B)	1	
	091-22211	STAINLESS STEEL HYD. TANK (INCLUDES ITEMS 1A-SS & 1B-SS)	1	
1A	091-20168	STEEL HYDRAULIC TANK LID	1	
1A-SS	091-20219SS	STAINLESS STEEL TANK LID	1	
1B	091-20175	STEEL LATCH	1	
1B-SS	091-20175SS	STAINLESS STEEL LATCH	1	
2	230-00022	RETURN FILTER HEAD	2	
3	230-00060	RETURN FILTER WITH GLASS MEDIA	4	
4	230-00064	PRESSURE FILTER (INCLUDE ITEM 4A)	1	
4A	230-00064.1	PRESSURE FILTER ELEMENT	1	
5	330-00750	TANK BREATHER ADAPTER	1	
6	230-00020	TANK BREATHER WITH PAPER MEDIA	1	
7	510-00192	SPECIAL HOSE BARB 4" LG (2-1/2" NPT, 2-3/4" BARB)	2	
8	091-20180	FITTING WITH TEST PORT	1	
9	290-00020	PRESSURE GAUGE 3000 PSI	1	
10	190-00070	LIQUID LEVEL FLOAT SWITCH	1	
11	190-00211A1	TEMPERATURE CONTROLLER FOR OIL COOLER FAN	1	
12	190-00211A2	CLIP-ON COPPER WELL 1/2" NPT	1	
13	190-00066	OIL HEATER	1	
14	330-00749	STRAIGHT THREAD BRANCH TEE (20ORB-20JIC-20JIC)	1	
15	330-00008	MALE CONNECTOR (3/4" NPT, 12 JIC)	3	
16	330-00748	STRAIGHT HOSE BARB ADAPTER (1-1/2" NPT 1-1/2" BARB)	1	
17	330-00747	90° HOSE BARB ADAPTER (1-1/2" NPT 1-1/2" BARB)	1	
18	330-00089	MALE ELBOW (1-1/2" NPT, 24 JIC)	1	
19	510-00012	BUSHING 1-1/4" X 3/4"	2	
20	330-00085	MALE ELBOW (3/4" NPT, 12 JIC)	2	
21	330-00746	HOSE BARB ADAPTER (1" NPT, 1-1/4" BARB)	1	
22	290-00019	SIGHT GAUGE (HYD.)	1	
23	330-00293	RETURN HOSE 1-1/2" ID X 3-1/2" LG	1	
24	370-00021	T-BOLT CLAMP	2	
25	REF	SCREW CAP HEX HD NC GR5	2	
26	REF	NUT ESNA 3/8"	2	



Cage Unloading System

12 GPM KIDNEY LOOP (530-00038) (September 2011 and Up)





Cage Unloading System

12 GPM KIDNEY LOOP (530-00038) (September 2011 and Up)

ITEM	PART NUMBER	DESCRIPTION	QTY	MODEL OR SERIAL #
1	010-00190	1 HP BALDOR MOTOR	1	
2	530-00038.4	GEAR PUMP 12 GPM	1	
3	530-00034.5	MAGNALOY COUPLING MO56352A	1	
4	530-00034.1	MAGNALOY 7/8" KW 3/16" HUB	1	
5	530-00038.2	MAGNALOY 3/4" KW 3/16" HUB	1	
6	530-00034.3	MAGNALOY NEOPRENE INSERT (M170N6)	1	
7	REF	FLATWASHER 3/8"	6	
8	REF	LOCKWASHER 3/8"	6	
9	REF	SCREW CAP HEX HD NC GR5, 3/8" X 1"	6	



Cage Unloading System
