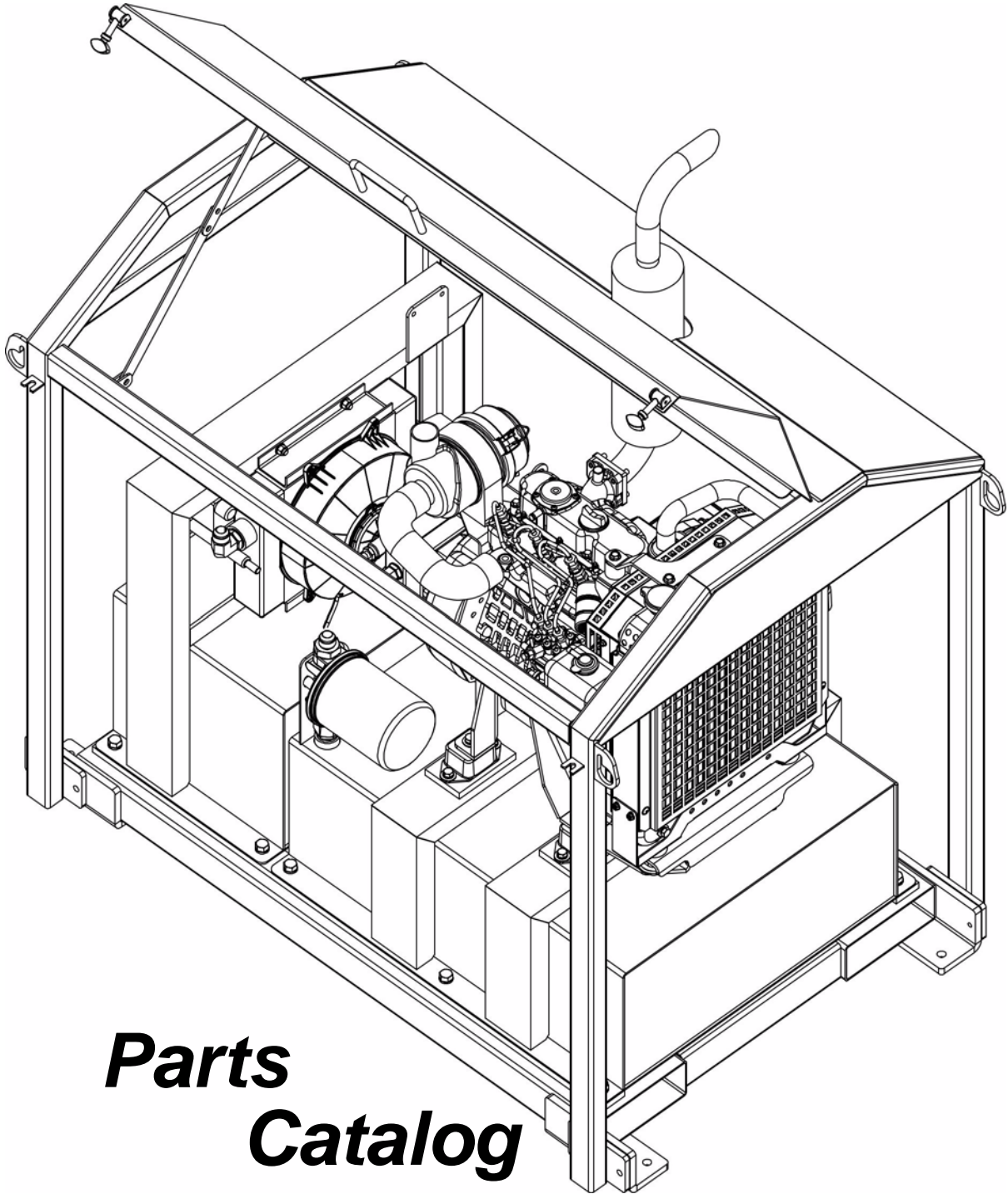




Turkey Harvester's

21.5 Hp Diesel Powered Hydraulic Unit



Parts Catalog

Bright Coop Inc.

803 W. Seale St.

Nacogdoches, TX 75964

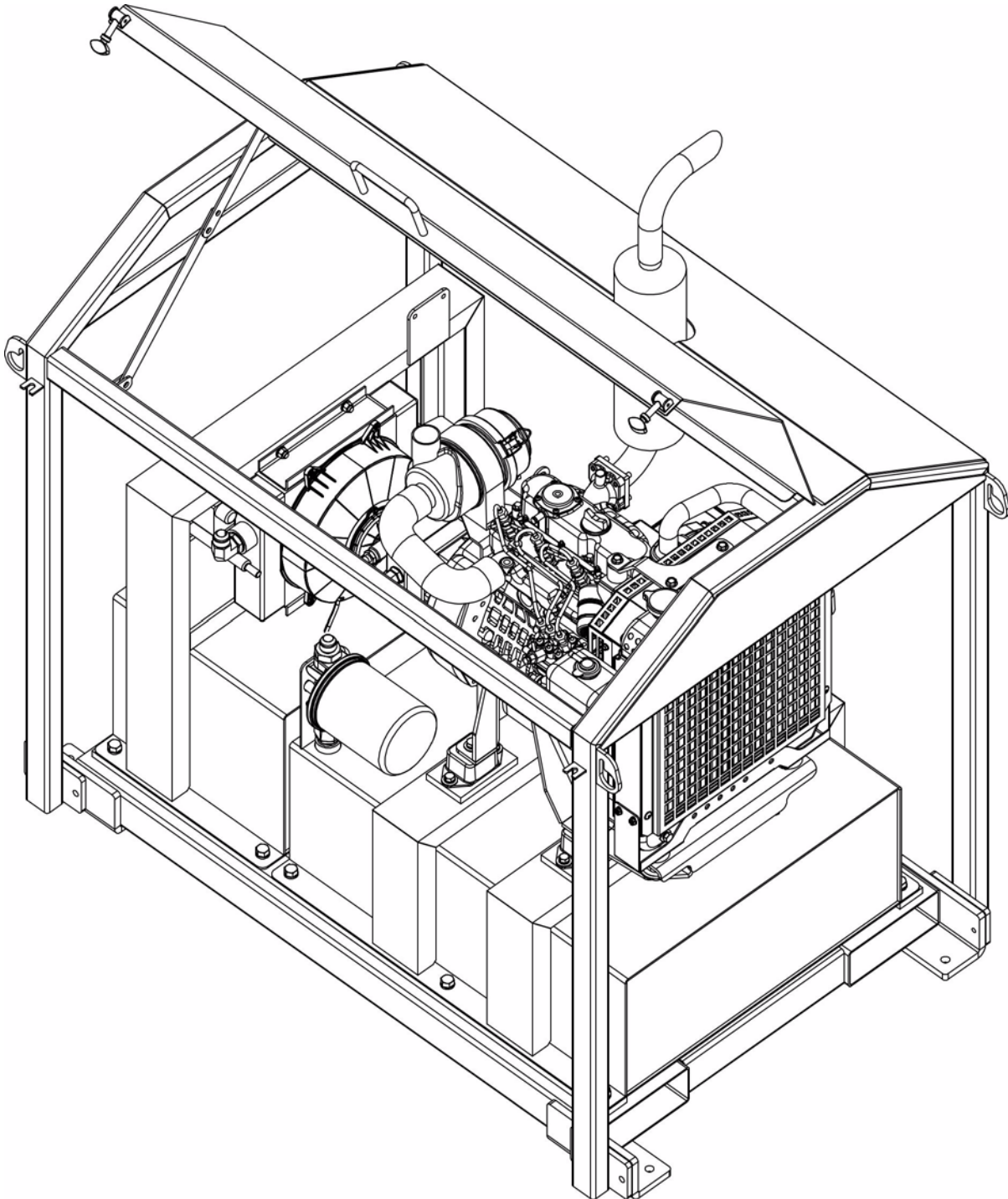
Phone (936) 564-8378 Fax (936) 564-3281

Info@brightcoop.com



Turkey Harvester's

21.5 Hp Diesel Powered Hydraulic Unit



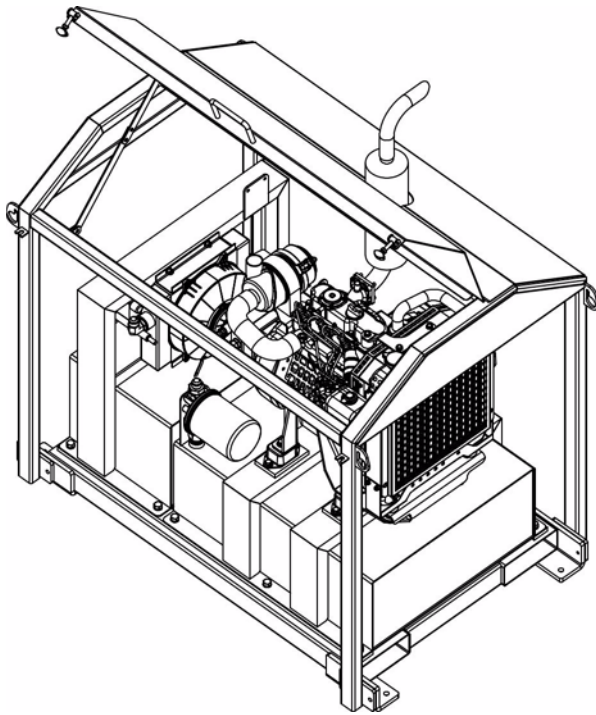


Turkey Harvester's

21.5 Hp Diesel Powered Hydraulic Unit

Tab Indexes

Parts Catalog



1	SECTION 1 DIESEL PUMPING UNIT
2	SECTION 2 HYDRAULIC CIRCUIT
3	SECTION 3 HYDRAULIC TANK ASS'Y
4	SECTION 4 FUEL CIRCUIT
5	SECTION 5 FUEL TANK ASS'Y
6	SECTION 6 ELECTRICAL CIRCUIT
7	SECTION 7 SAFE CAGE WITH HOOD
8	SECTION 8 HYDRAULIC SCHEMATIC

Bright Coop Inc.
803 W. Seale St.
Nacogdoches, TX 75964
Phone (936) 564-8378
Fax (936) 564-3281
Info@brightcoop.com



Turkey Harvester's

21.5 Hp Diesel Powered Hydraulic Unit



Turkey Harvester's

21.5 Hp Diesel Powered Hydraulic Unit

Section 1

Diesel Pumping Unit

Contents

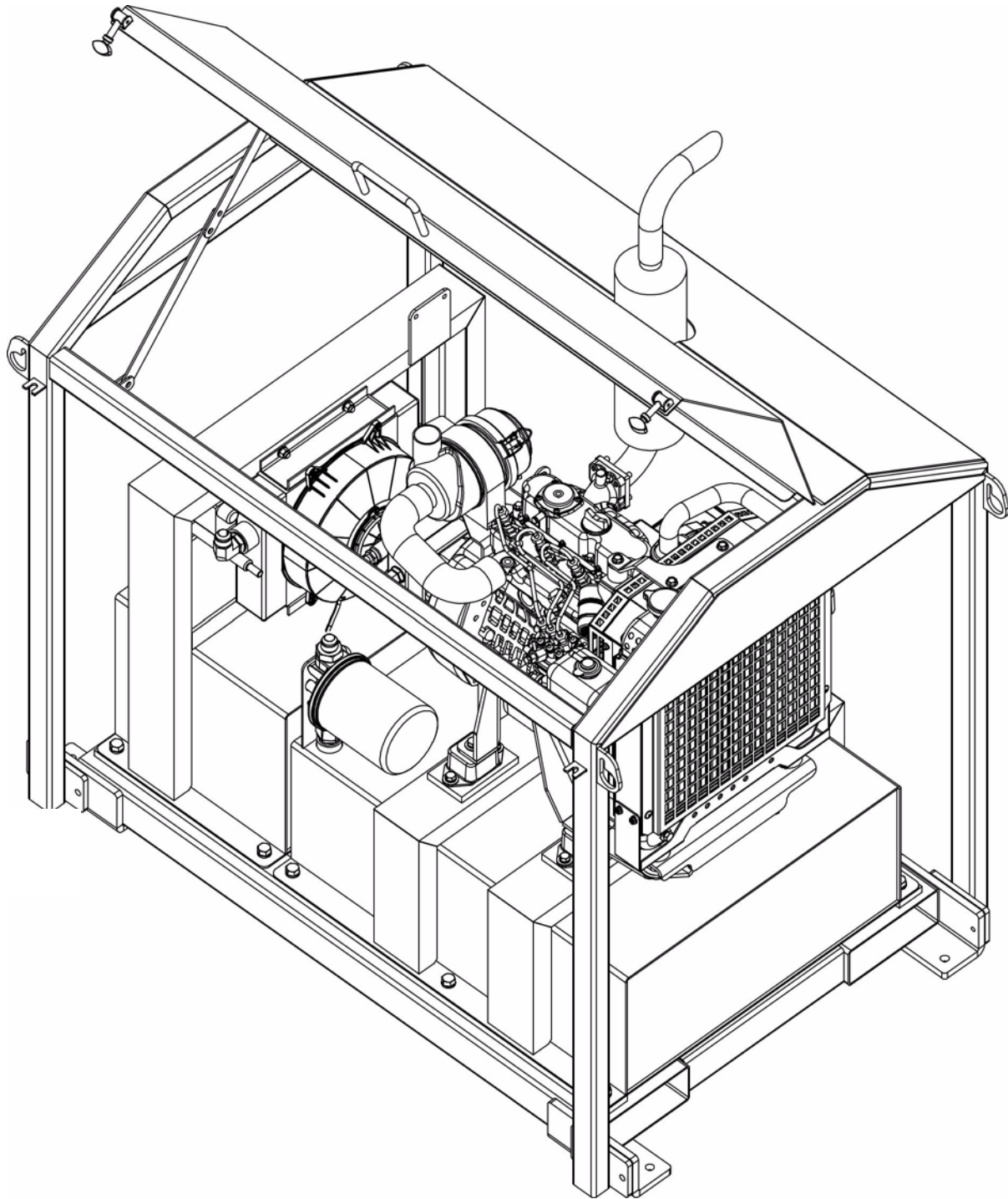
Diesel Pumping Unit Assembly - - - - - 2-3



Turkey Harvester's

21.5 Hp Diesel Powered Hydraulic Unit

DIESEL PUMPING UNIT ASSEMBLY (790-60000)





Turkey Harvester's

21.5 Hp Diesel Powered Hydraulic Unit

DIESEL PUMPING UNIT ASSEMBLY (790-60000)

ITEM	PART NUMBER	DESCRIPTION	QTY	MODEL OR SERIAL #
	790-60100	MAIN FRAME WELDMENT	1	
	790-60200	HYDRAULIC CIRCUIT FOR DIESEL PUMPING UNIT	1	
	790-60300	FUEL CIRCUIT FOR DIESEL PUMPING UNIT	1	
	790-60400	ELECTRICAL CIRCUIT FOR DIESEL PUMPING UNIT	1	
	790-60501	SAFETY CAGE WITH HOOD	1	
	790-60601	KUBOTA D902 ENGINE KIT	1	
	430-00279	ENGINE MOUNT	4	
	790-60656	ENGINE OIL FILTER	1	
	790-60657	ENGINE AIR FILTER	1	
	790-60658	ENGINE FUEL FILTER	1	



Turkey Harvester's

21.5 Hp Diesel Powered Hydraulic Unit



Turkey Harvester's

21.5 Hp Diesel Powered Hydraulic Unit

Section 2

Hydraulic Circuit

Contents

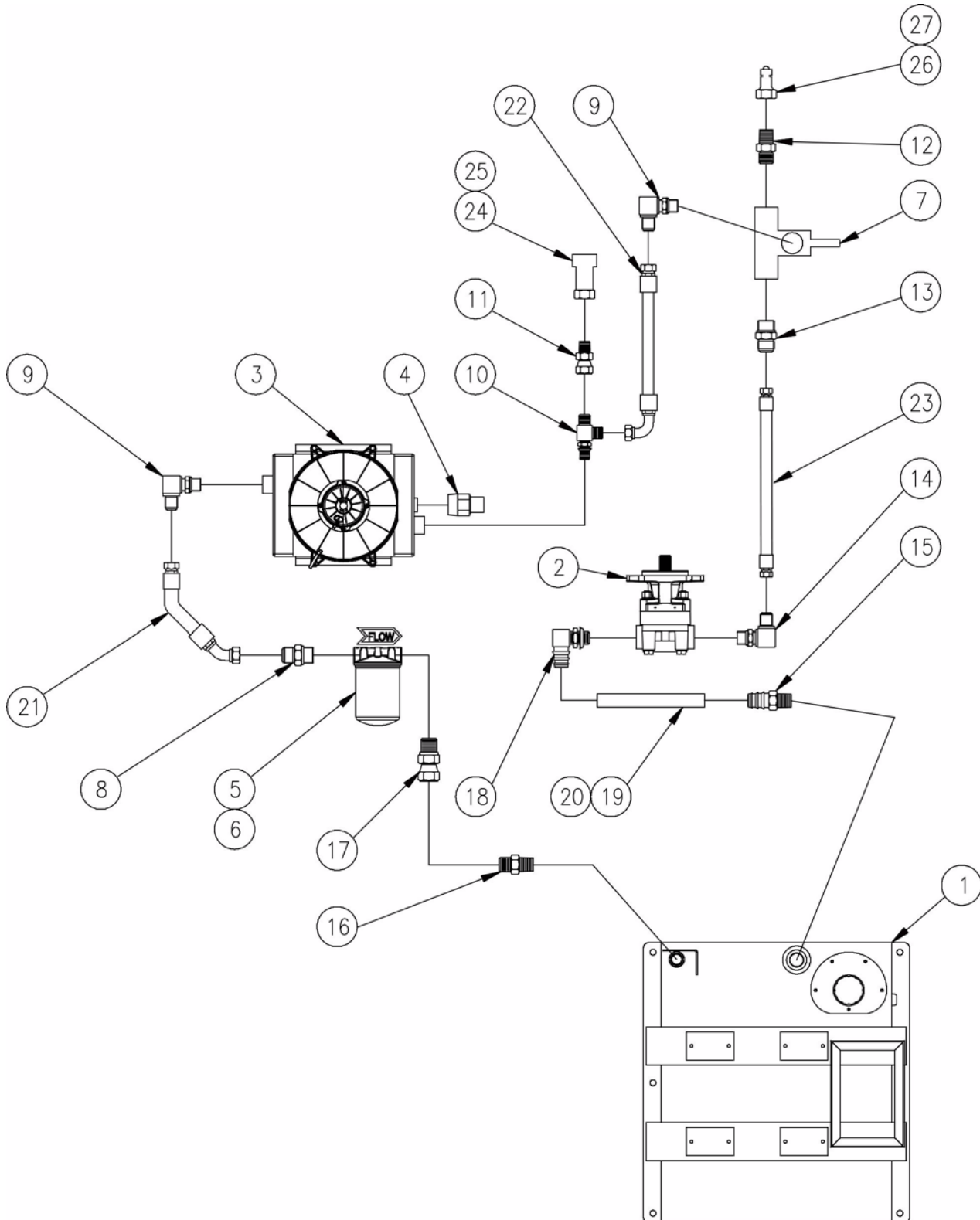
Hydraulic Circuit- 2-3



Turkey Harvester's

21.5 Hp Diesel Powered Hydraulic Unit

HYDRAULIC CIRCUIT (790-60200)





Turkey Harvester's

21.5 Hp Diesel Powered Hydraulic Unit

HYDRAULIC CIRCUIT (790-60200)

ITEM	PART NUMBER	DESCRIPTION	QTY	MODEL OR SERIAL #
1	790-60202	HYDRAULIC TANK ASSEMBLY	1	
2	792-60600	HYDRAULIC PUMP (12 GPM)	1	
3	097-20288	OIL COOLER (12V FAN)	1	
4	097-20289	TEMPERATURE SWITCH	1	
5	097-20194	RETURN FILTER HEAD	1	
6	230-00060	RETURN FILTER ELEMENT (GLASS MEDIA)	1	
7	790-60636	MAIN RELIEF VALVE	1	
8	330-00040	STRAIGHT THREAD CONNECTOR (JIC-12 / ORB-16)	1	
9	330-00108	STRAIGHT THREAD ELBOW CONNECTOR (JIC-12 / ORB-12)	2	
10	330-00733	STRAIGHT THREAD TUN TEE (JIC-12 / ORB-12 / 12)	1	
11	330-00734	SWIVEL CONNECTOR (JIC-12 / NPT-12)	1	
12	330-00735	MALE PIPE ADAPTER (ORB-12 / NPT-12)	1	
13	330-00039	STRAIGHT THREAD CONNECTOR (JIC-08 / ORB-12)	1	
14	330-00107	STRAIGHT THREAD ELBOW (JIC-08 / ORB-10)	1	
15	330-00736	MALE NPT PIPE - RIGID (NPT-20 / BARB-20)	1	
16	330-00012	MALE CONNECTOR (JIC-16 / M[T-16)	1	
17	330-00737	SWIVEL STRAIGHT THREAD CONNECTOR (JIC-16 / ORB-16)	1	
18	330-00738	STRAIGHT THREAD - RIGID - 90° ELBOW (ORB-20 / BAR-20)	1	
19	330-00303	SUCTION HOSE (1-1/4" X 9" LG)	1	
20	330-00324	T-BOLT CLAMP FOR 1-1/4" HOSE	2	
21	790-60649	3/4" HOSE -FROM OIL COOLER TO RETURN FILTER	1	
22	790-60650	3/4" HOSE - FROM RELIEF VALVE TO TEE ON COOLER	1	
23	790-60651	1/2" HOSE -FROM PUMP TO RELIEF VALVE	1	
24	790-60629	3/4" QUICK COUPLER FEMALE	1	
25	330-00729	RUBBER PLUG FOR 3/4" QUICK COUPLER	1	
26	790-60628	3/4" QUICK COUPLER MALE	1	
27	330-00728	RUBBER CAP FOR 3/4" QUICK COUPLER	1	



Turkey Harvester's

21.5 Hp Diesel Powered Hydraulic Unit



Turkey Harvester's

21.5 Hp Diesel Powered Hydraulic Unit

Section 3

Hydraulic Tank Assembly

Contents

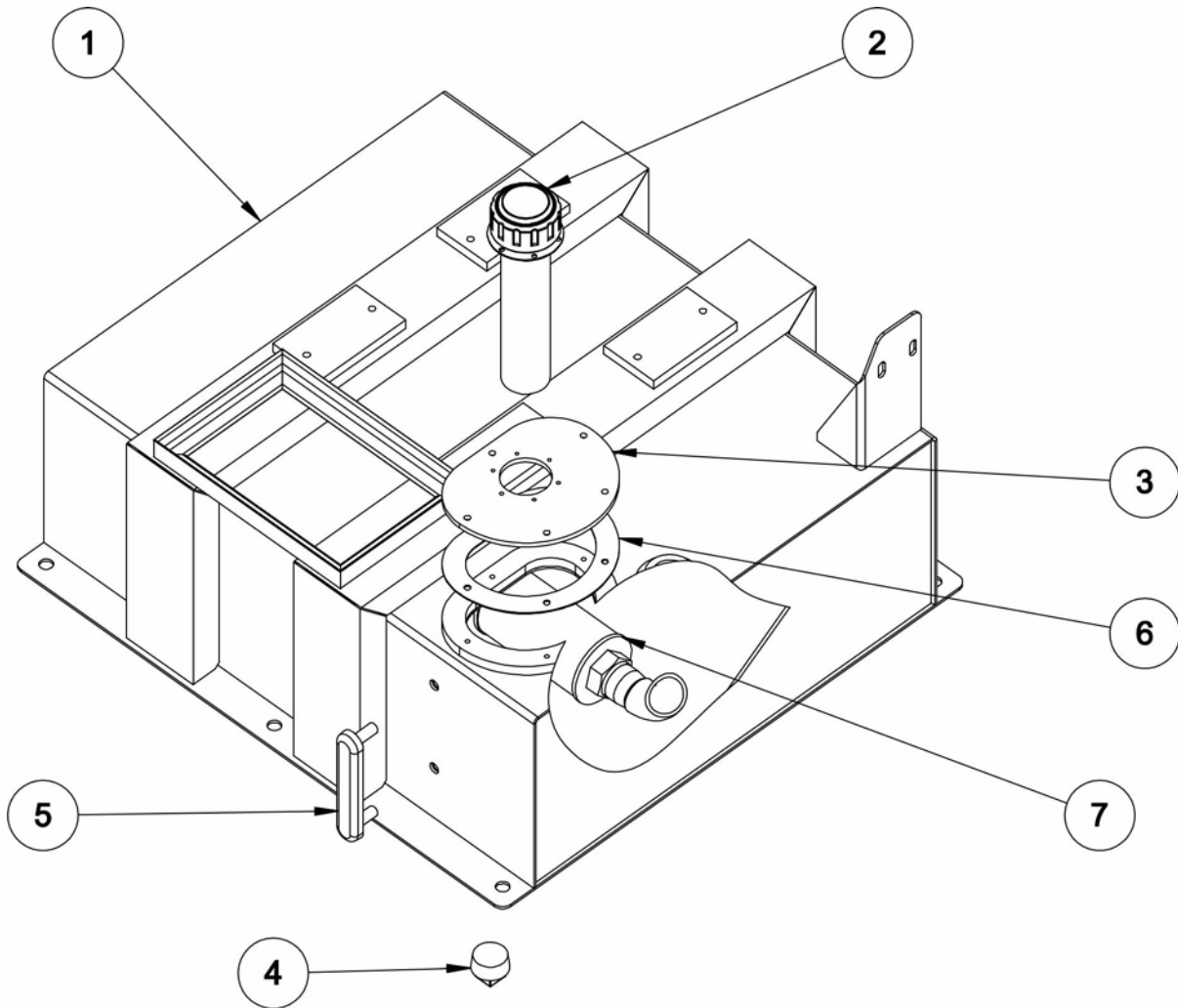
Hydraulic Tank Assembly - - - - - 2-3



Turkey Harvester's

21.5 Hp Diesel Powered Hydraulic Unit

HYDRAULIC TANK ASSEMBLY (790-60202)





Turkey Harvester's

21.5 Hp Diesel Powered Hydraulic Unit

HYDRAULIC TANK ASSEMBLY (790-60202)

ITEM	PART NUMBER	DESCRIPTION	QTY	MODEL OR SERIAL #
1	790-60201	HYDRAULIC TANK WELDMENT	1	
2	350-00001	FILLER BREATHER	1	
3	097-20160	HYDRAULIC TANK CLEANOUT PLATE	1	
4	510-00218	MAGNETIC PLUG "MSC"	1	
5	790-60621	SIGHT GAUGE (HYD.) 5" LG	1	
6	097-20634	HYDRAULIC TANK GASKET	1	
7	230-00056	SUCTION STRAINER	1	



Turkey Harvester's

21.5 Hp Diesel Powered Hydraulic Unit



Turkey Harvester's

21.5 Hp Diesel Powered Hydraulic Unit

Section 4

Fuel Circuit Diesel Pumping Unit

Contents

Fuel Circuit Diesel Pumping Unit- - - - - 2-3



Turkey Harvester's

21.5 Hp Diesel Powered Hydraulic Unit

FUEL CIRCUIT DIESEL PUMPING UNIT (790-60300)



Turkey Harvester's

21.5 Hp Diesel Powered Hydraulic Unit

FUEL CIRCUIT DIESEL PUMPING UNIT (790-60300)

ITEM	PART NUMBER	DESCRIPTION	QTY	MODEL OR SERIAL #
	790-60302	FUEL TANK ASSEMBLY	1	
	330-00191	STREET ELBOW 3/8"	1	
	330-01258	HOSE BARB FITTING (NPT-06 / BARB-5/16")	1	
	430-00268	5/16" FUEL HOSE (11")	1	
	790-60654	ELECTRIC FUEL PUMP (INCL. WITH ENGINE KIT)		
	430-00268	5/16" FUEL HOSE (18")	1	
	330-00471	HOSE BARB FITTING (NPT-04 / BARB-05)	2	
	330-00459	1/4" NPT BRASS TEE	1	
	430-00268	5/16" FUEL HOSE (4")	1	
	330-00436	HOSE BARB FITTING (NPT-04 / BARB-03)	1	
	098-00725	3/16" FUEL HOSE (14")	1	
	REF	HOSE CLAMP	8	



Turkey Harvester's

21.5 Hp Diesel Powered Hydraulic Unit



Turkey Harvester's

21.5 Hp Diesel Powered Hydraulic Unit

Section 5

Fuel Tank Assembly

Contents

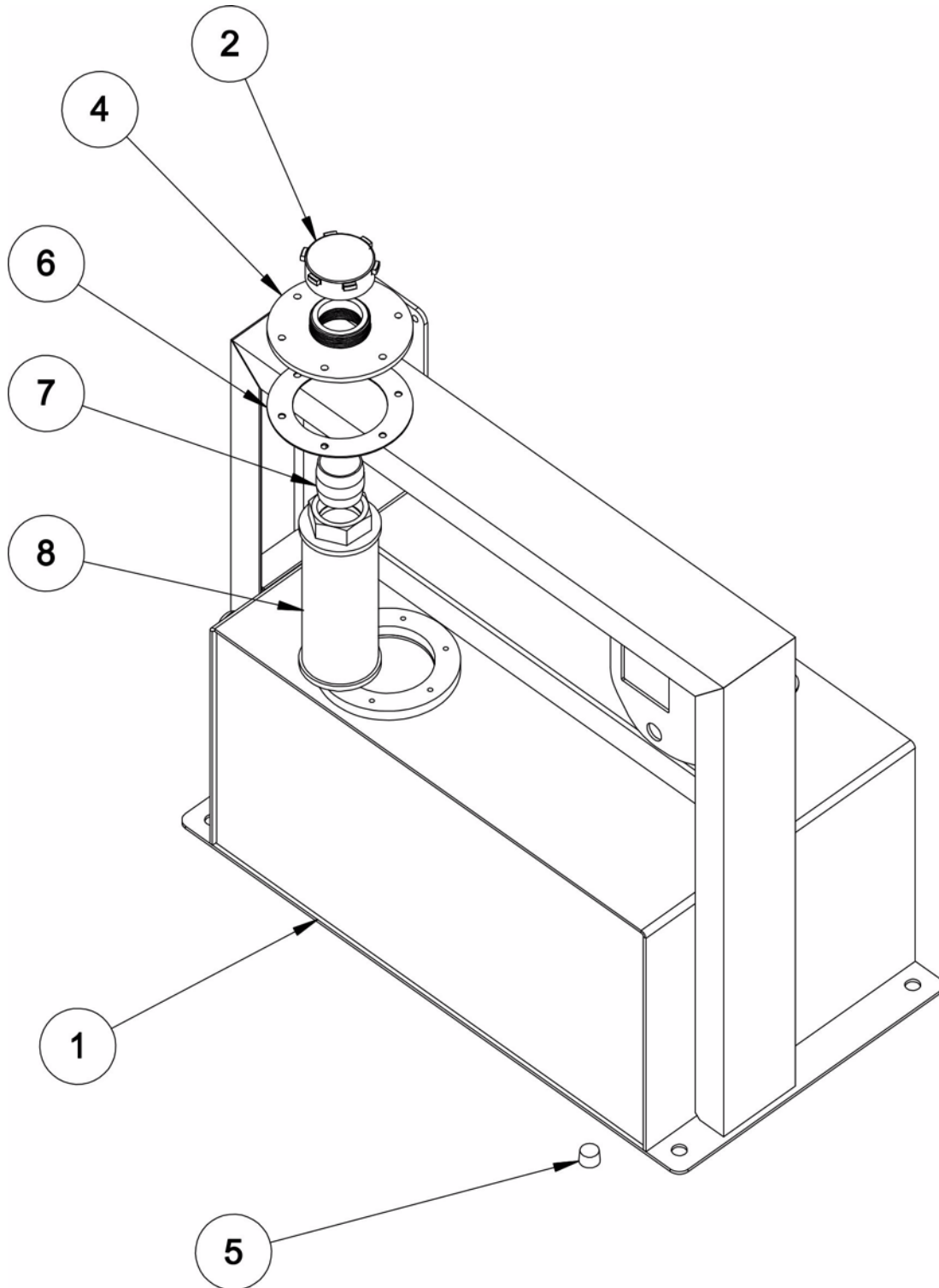
Fuel Tank Assembly - - - - - 2-3



Turkey Harvester's

21.5 Hp Diesel Powered Hydraulic Unit

FUEL TANK ASSEMBLY (790-60302)





Turkey Harvester's

21.5 Hp Diesel Powered Hydraulic Unit

FUEL TANK ASSEMBLY (790-60302)

ITEM	PART NUMBER	DESCRIPTION	QTY	MODEL OR SERIAL #
1	790-60301	FUEL TANK WELDMENT	1	
2	430-00350	FUEL CAP 2"	1	
3	097-00016	SIGHT GAUGE (FUEL)	1	
4	097-21528	CLEAN-OUT COVER WELDMENT	1	
5	510-00151	PLUG PIPE SOCKET HD	1	
6	097-00809	FUEL TANK COVER GASKET	1	
7	510-00216	NIPPLE CLOSE	1	
8	097-20191	TANK STAINER	1	



Turkey Harvester's

21.5 Hp Diesel Powered Hydraulic Unit



Turkey Harvester's

21.5 Hp Diesel Powered Hydraulic Unit

Section 6

Electrical Circuit Diesel Pumping Unit

Contents

Electrical Circuit Diesel Pumping Unit - - - - - 2-3



Turkey Harvester's

21.5 Hp Diesel Powered Hydraulic Unit

ELECTRICAL CIRCUIT DIESEL PUMPING UNIT (790-60400)



Turkey Harvester's

21.5 Hp Diesel Powered Hydraulic Unit

ELECTRICAL CIRCUIT DIESEL PUMPING UNIT (790-60400)

ITEM	PART NUMBER	DESCRIPTION	QTY	MODEL OR SERIAL #
	790-60602	LOFA CONTROL PANEL	1	
	790-60623	12V BATTERY - GROUP 24	1	
	790-60625	BATTERY BOX - GROUP 24	1	
	790-60655	MAIN ELECTRICAL HARNESS (INC. LOFA CONTROL PANEL)	REF.	
	190-00592	RING TERMINAL, 5/15 STUD, 16-14GA	2	
	097-20354	WEATHER PACK CABLE SEAL	4	
	097-20355	WEATHER PACK FEMALE TERMINAL	2	
	097-20352	WEATHER PACK FEMALE HOUSING (2 PINS)	1	
	097-20356	WEATHER PACK MALE TERMINAL	2	
	097-20353	WEATHER PACK MALE HOUSING (2 PINS)	1	
	190-00586	14 AWG RED WIRE (40")	1	
	190-00586	14 AWG RED WIRE (6")	1	
	190-00584	14 AWG BLACK WIRE (22")	1	
	190-00350	1/4" LOOM (39")	1	
	190-00350	1/4" LOOM (2.5")	1	



Turkey Harvester's

21.5 Hp Diesel Powered Hydraulic Unit



Turkey Harvester's

21.5 Hp Diesel Powered Hydraulic Unit

Section 7

Safety Cage with Hood

Contents

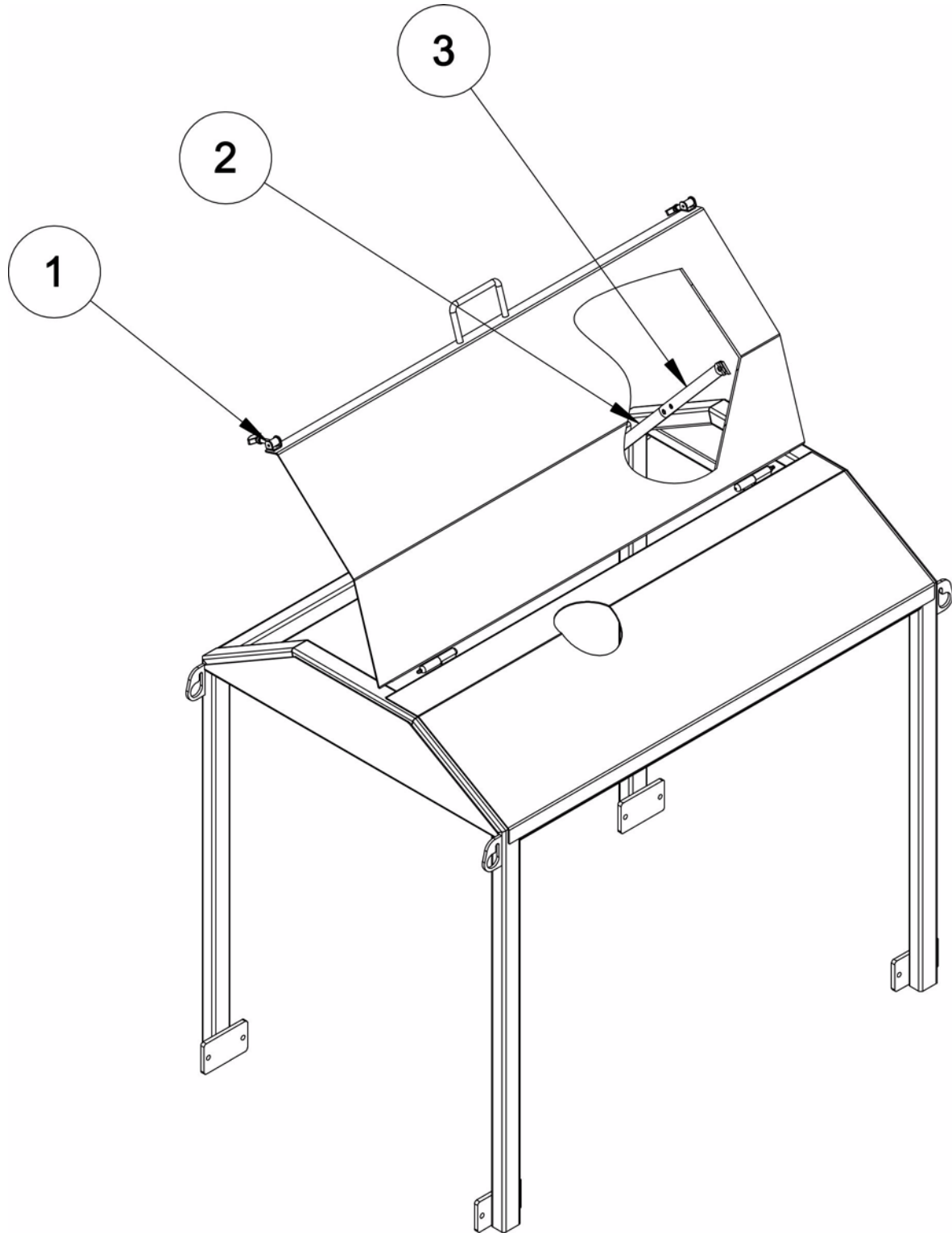
Safety Cage with Hood - - - - - 2-3



Turkey Harvester's

21.5 Hp Diesel Powered Hydraulic Unit

SAFE CAGE WITH HOOD (790-60501)





Turkey Harvester's

21.5 Hp Diesel Powered Hydraulic Unit

SAFE CAGE WITH HOOD (790-60501)

ITEM	PART NUMBER	DESCRIPTION	QTY	MODEL OR SERIAL #
1	097-20494	MINI HOLD DOWN	2	
2	790-60648	HOOD HOLDER BOTTOM	1	
3	097-20491	HOOD HOLDER LONG	1	



Turkey Harvester's

21.5 Hp Diesel Powered Hydraulic Unit



Turkey Harvester's

21.5 Hp Diesel Powered Hydraulic Unit

Section 8

Hydraulic Schematic

Contents

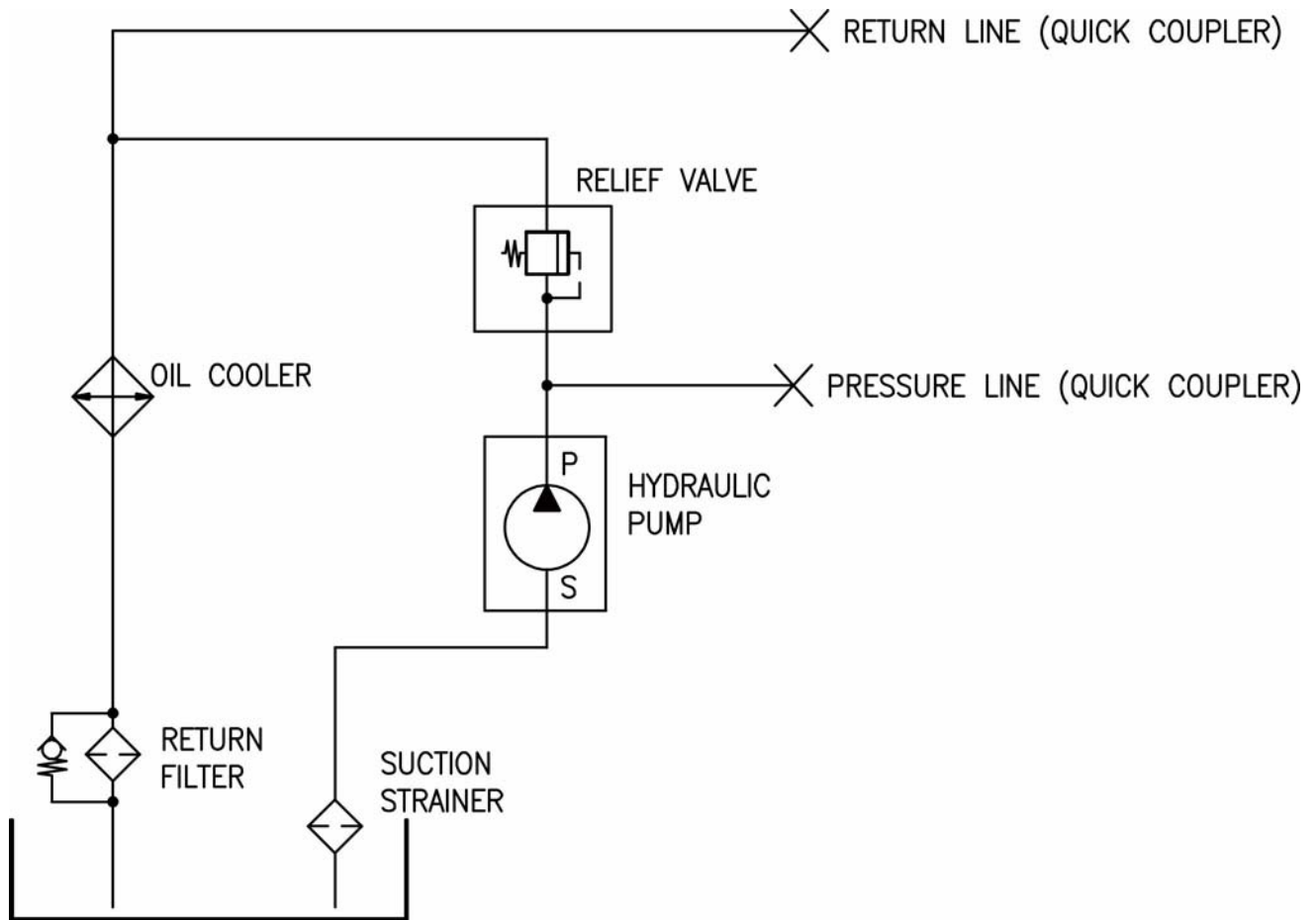
Hydraulic Schematic Diesel Pumping Unit - - - - - 2-3



Turkey Harvester's

21.5 Hp Diesel Powered Hydraulic Unit

HYDRAULIC SCHEMATIC DIESEL PUMPING UNIT





Turkey Harvester's

21.5 Hp Diesel Powered Hydraulic Unit

MISCELLANEOUS

Notes:

ITEM	PART NUMBER	DESCRIPTION	QTY	MODEL OR SERIAL #



Turkey Harvester's

21.5 Hp Diesel Powered Hydraulic Unit

