

BRIGHT IDEAS.



BRIGHT INNOVATION.

Poultry Special Drop Deck (Standard Duty)

Model: VDPS4896

Approximate Weight 12,200 lbs.



Designed specifically for the poultry industry. The Viking Specialized "Poultry Special" Drop Deck is a leader in poultry live transport trailers. Formed angles and nesting devices make cage placement safe and easy during loading and unloading. The formed angles provide an air space between the cages for air flow and prevent cage hang up during loading and unloading. Front and rear bulkheads provide added security for cage movement and panels can be added to block direct wind during transportation. Easy loading, easy cleaning, safely transporting more product from the farm. Capacity: 80,000 lb. GVWR.



Bright Coop, Inc. is the authorized dealer for Viking Specialized - "Poultry" Transport Trailers

BE BRIGHT - BUY RIGHT - BUY BRIGHT'S

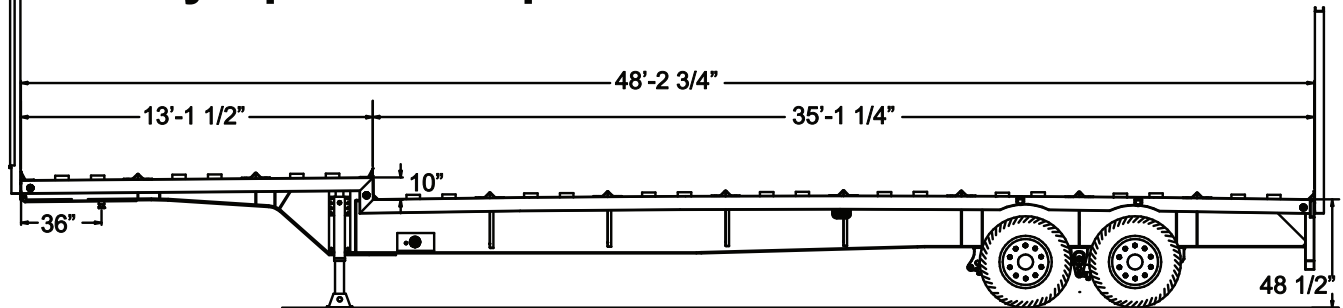
BRIGHT IDEAS.



BRIGHT INNOVATION.

Poultry Special Drop Deck

Model: VDPS4896



96" Wide Approximate Weight 12,200 lbs.

Capacity: 80,000 lb. GVWR

Features:

- Mainframe.....24" Fabricated main beams with 2" camber, 1/2" x 6" top and bottom flanges in the rear portion of the trailer with 1/4" web welded on both sides. 1/2" x 6" Top flange and 5/8" x 5" bottom flange in the neck. All flange and web material is high strength steel.
- Crossmembers..... 4" x 3.2# Jr. I beam on 26" centers. Formed angles on top of the main beams and siderails serve as cage nesting devices and provide a 4-3/4" air space between the cages.
- Kingpin..... 2" SAE kingpin, 3/8" kingpin plate, 36" kingpin setting (standard).
- Siderails.....6" x 8.2# (Inverted) structural channel. Two nesting devices between each formed angle.
- Suspension.....HUTCH® H9700T three point spring suspension with hi-arch heavy duty 3 leaf springs.
- Axles.....(2) 25,000 Lb., 5" round, 5/8" wall.
- Brakes..... 16-1/2" x 7", Type 30/30 brake chambers, outboard drums, Meritor WABCO® (2S/1M) ABS on one axle.
- Wheels..... 8.25 x 22.5, Steel 10 hole disc; hub piloted (color: white).
- Tires..... 11R x 22.5 Radials.
- Landing gear.....Holland® Mark V 2 speed gear with 62,500 lb. lift capacity; 200,000 lb. static capacity (standard).
- Finish.....Poultry special trailers are shotblasted and primed with zinc-rich primer and top coated with a high solid polyurethane paint. Colors: black, red or cat yellow (standard).
- Floor.....10 ga. Steel is standard over the kingpin and tandem areas only.
- Lights..... 7-Way main receptacle, sealed wiring harness, rubber mounted LED lights. 3 Lights per side including mid-turn (4 Light cornering system and back-up lights are available).
- Tandem..... 105" Tandem setting from the rear of the trailer with 49" axle spacing. Optional settings are available.
- Tiedowns..... 3/4" Tie bar located under the crossmembers running the full length of the trailer for chain and binder attachment.
- Rear bumper.....D.O.T. certified rear under ride guard/bumper and high visibility reflective conspicuity tape.

Options:

- Air ride suspension
- Front and rear bulkheads
- Fully floored with 10 gauge steel
- (22) 4" Weld-on or bolt-on winches
- Custom paint colors
- Polished or machine finished aluminum wheels
- D-rings
- 3-Wheel lift transport kit
- Improved stability system
- Tire inflations system

Please contact sales for more options