

BRIGHT IDEAS.



BRIGHT INNOVATION.

Poultry Special Trailer for “Removable / Stackable” Coops Model: VFPS48102



Total approximate weight 11,900 lbs.

Designed specifically for the poultry industry. The Viking Specialized “Poultry Special” is a fully floored poultry live transport trailer designed for turkeys. Formed angles are to create a 8-1/2” airspace between coop stacks. Standard front bulkhead that provides added security for coop transportation and weather panels can be added to block direct wind during transport. Capacity: (40 coops on 48’ trailer, 45 coops on 53’ trailer) 80,000 lb. GVWR.

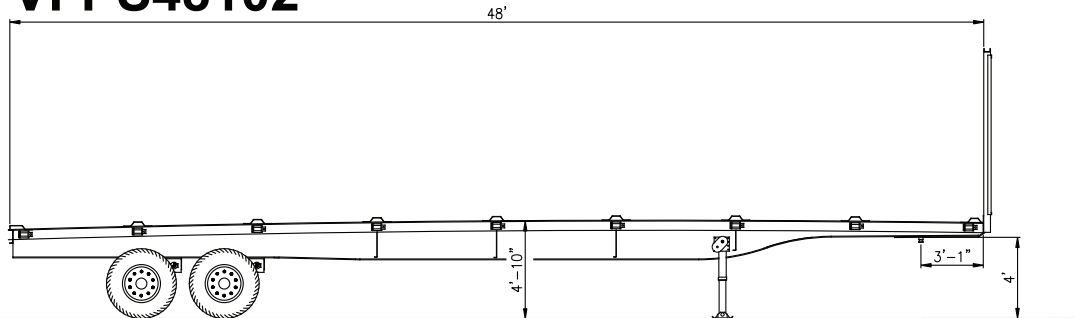


Bright Coop, Inc. is the authorized dealer for Viking Specialized - “Poultry” Transport Trailers

BE BRIGHT - BUY RIGHT - BUY BRIGHT'S



Poultry Special Trailer for “Removable / Stackable” Coops Model: VFPS48102



Total approximate weight 11,900 lbs.

Capacity: 80,000 lb. GVWR

Features:

- Mainframe..... 24" Fabricated main beams with 2" camber, 1/2" x 5" top and bottom flange welded on both sides with 1/4" web (3/8" web in the neck and 8" neck depth). All flange and web material is high strength steel.
- Crossmembers.... 4" x 3.2# Jr. I beam on 16" centers.
- Kingpin..... 2" SAE kingpin, 1/2" kingpin plate, 36" kingpin setting, Easy clean kingpin assembly.
- Siderails..... 6" x 8.2# Structural channel (Flanges positioned outward).
- Suspension..... Hendrickson 25K ATT INTRAAX® Air suspension with dump valve.
- Axles..... (2) 25,000 Lb., (5-3/4" round).
- Brakes..... 16-1/2" x 7", Type 30/30 brake chambers, outboard drums, Meritor WABCO® (4S/2M) ABS on Two axles.
- Wheels..... 8.25 x 22.5, Steel 10 hole disc, hub piloted (color: white).
- Tires..... 11R x 22.5 Radials.
- Landing gear..... Holland® Mark V 2 speed gear with 62,500 lb. lift capacity; 200,000 lb. static capacity.
- Finish..... Poultry Special trailers are shotblasted, primed with zinc-rich primer and top coated with a high solid polyurethane paint. Color: black, red or cat yellow (standard).
- Floor..... 12 gauge Smooth plate (fully floored).
- Lights..... 7-Way main receptacle, sealed wiring harness, rubber mounted LED lights. 3 Lights per side including mid-turn. (4 Light cornering system and back-up lights are available).
- Tandem..... 102" From the rear of the trailer with 49" axle spacing (optional settings available).
- Winches..... 9 Per side / (18 total) for 48' trailer, 10 per side / (20 total) for 53' trailer.
- Rear bumper..... D.O.T. certified rear under ride guard/bumper and high visibility reflective conspicuity tape.

Options:

- Rear bulkhead full width and height
- Rear bulkhead 3/4 width and height
- Optional paint colors available
- Polished or machine finish aluminum wheels