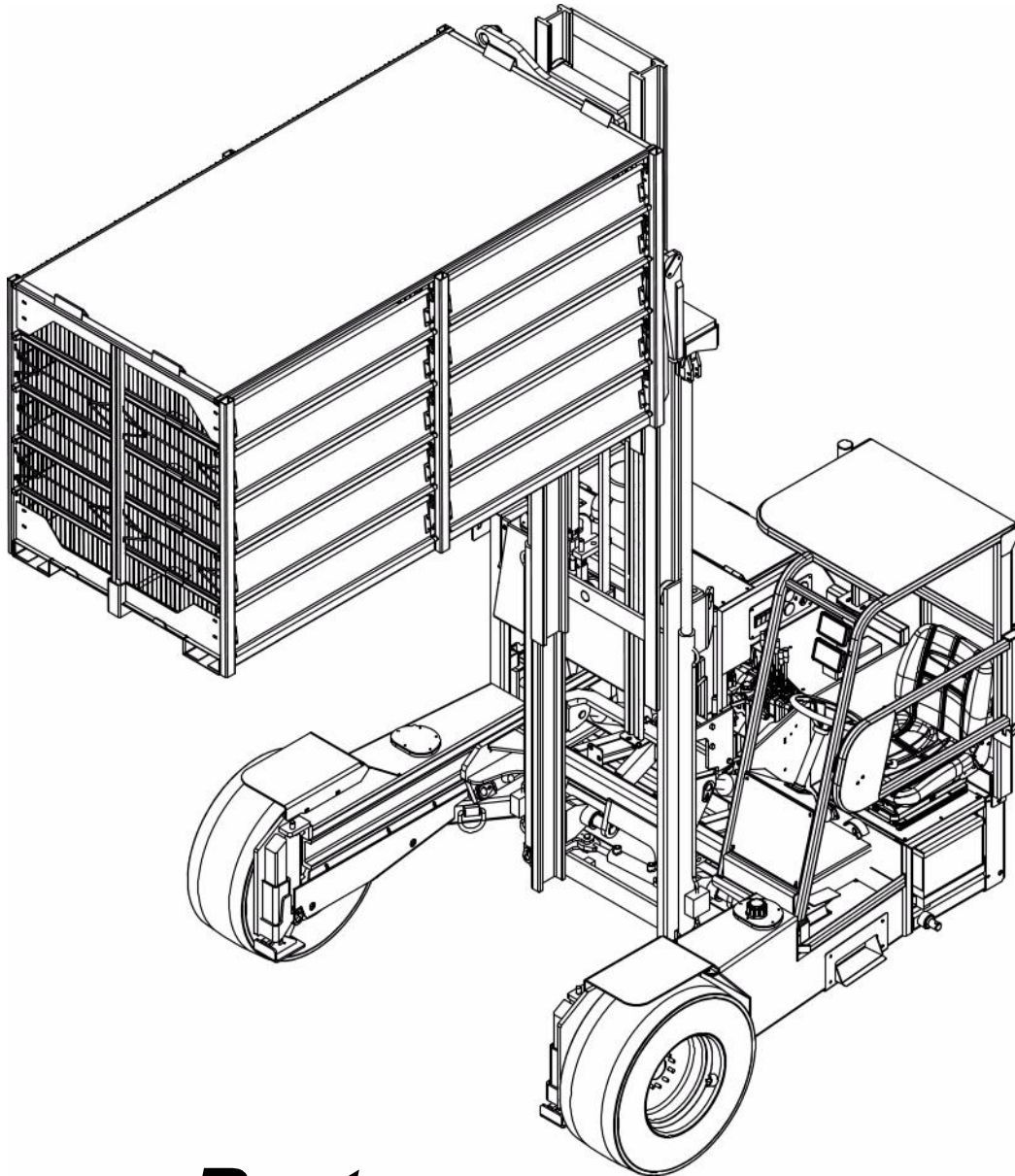




# **Bright Forklift**

**BC3-6000**



## **Parts Catalog**

**Bright Coop Inc.**

**803 W. Seale St.**

**Nacogdoches, TX 75964**

**Phone (936) 564-8378 Fax (936) 564-3281**

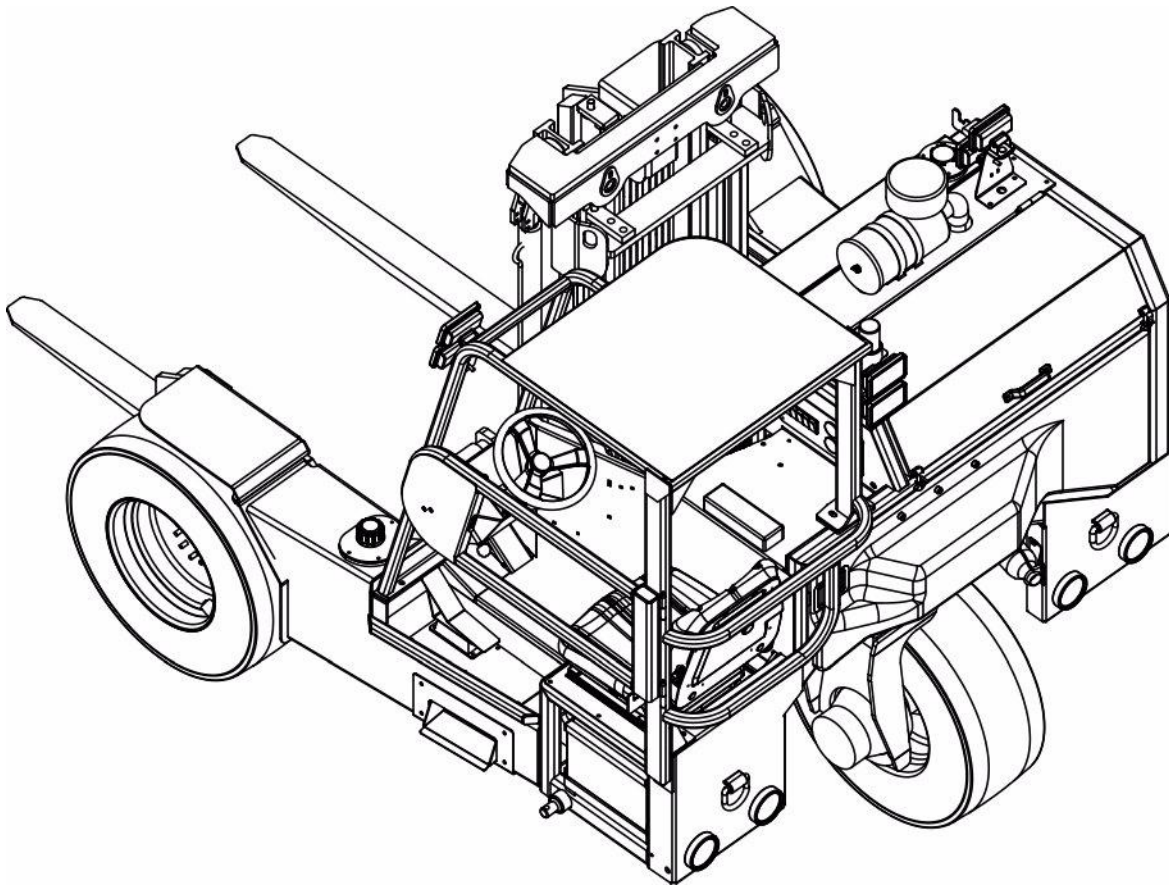
**[Info@brightcoop.com](mailto:Info@brightcoop.com)**

**BCI#: 097-20802 Issued: 2/16/2016 Rev. 06/22/2016**



# Bright Forklift

**BC3-6000**



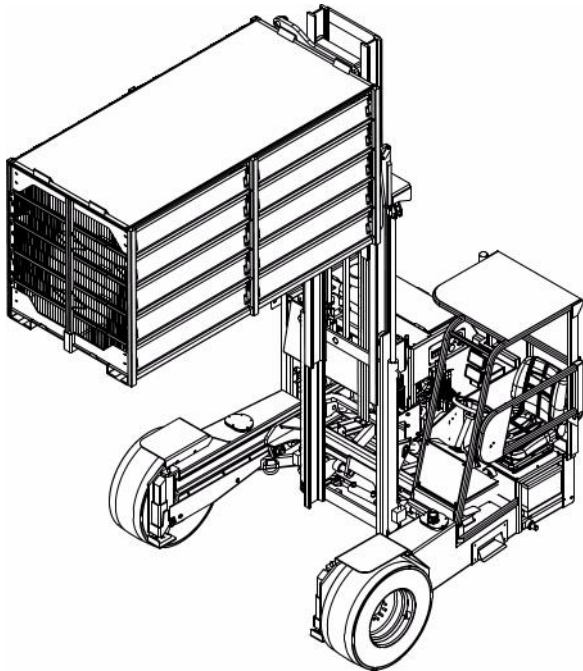


# Bright Forklift

BC3-6000

Tab Indexes

## Parts Catalog



**Bright Coop Inc.**

803 W. Seale St.

Nacogdoches, TX 75964

Phone (936) 564-8378

Fax (936) 564-3281

[Info@brightcoop.com](mailto:Info@brightcoop.com)

BCI# 097-20802 Dated 2/16/2016

1	SECTION 1 CAB ASSEMBLY
2	SECTION 2 STEERING AXLE
3	SECTION 3 POWERTRAIN CIRCUITS
4	SECTION 4 FORKLIFT CIRCUITS
5	SECTION 5 TIRE GROUP
6	SECTION 6 STABILIZER ASSEMBLY
7	SECTION 7 MAST & CARRIAGE
8	SECTION 8 HOODS, PANELS & CHAINS
9	SECTION 9 DECALS
10	SECTION 10 COMPONENT PARTS
11	SECTION 11 SCHEMATICS
12	SECTION 12 KUBOTA 60 HP ENGINE



# ***Bright Forklift***

**BC3-6000**



# **Bright Forklift**

**BC3-6000**

## **Section 1**

### **CAB ASSEMBLY**

#### **Contents**

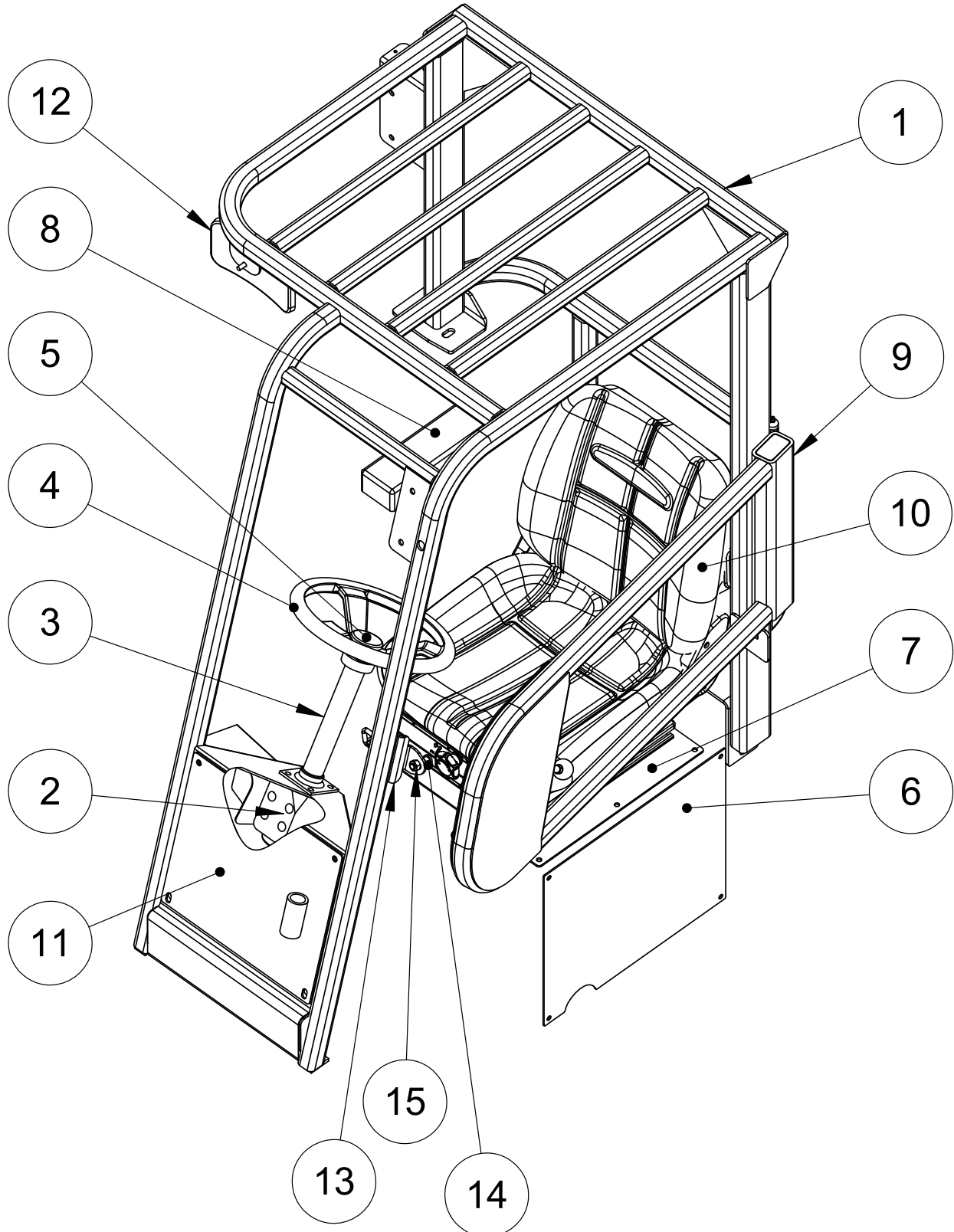
CAB ASSEMBLY -----2



# Bright Forklift

**BC3-6000**

**CAB ASSEMBLY (097-21200)**





# Bright Forklift

**BC3-6000**

## CAB ASSEMBLY (097-21200)

ITEM	PART NUMBER	DESCRIPTION	QTY	MODEL Or SERIAL #
1	097-21210A	CAB FRAME WELDM'T	1	
2	430-00391	STEERING MOTOR	1	
3	097-00008	STEERING COLUMN	1	
4	097-00009	STEERING WHEEL	1	
5	097-00010	STEERING CAP	1	
6	097-20957	SIDE ACCESS COVER	1	
7	097-20956	SEAT SUPPORT PLATE	1	
8	430-00137	ARMREST	1	
9	097-21220A	*CAB DOOR W ROTARY LATCH ASSY	1	
10	097-20925	SUSPENSION SEAT WITH RETRACTABLE SEAT BELT	1	
11	097-21231	ACCESS COVER WITH PIN POCKET	1	
12	097-20714	FORKLIFT MIRROR (CAB)	1	
13	097-20948A	STRIKER BRACKET (BOLT ON)	1	
14	097-20660	STRIKER	1	
15	REF.	NUT HEX 7/16-14 NC GRADE 5	1	

NOTE: \* SEE SECTION 10 FOR COMPONENT REPLACEMENT PARTS.



# ***Bright Forklift***

**BC3-6000**





# **Bright Forklift**

**BC3-6000**

## **Section 2**

### **STEERING Contents**

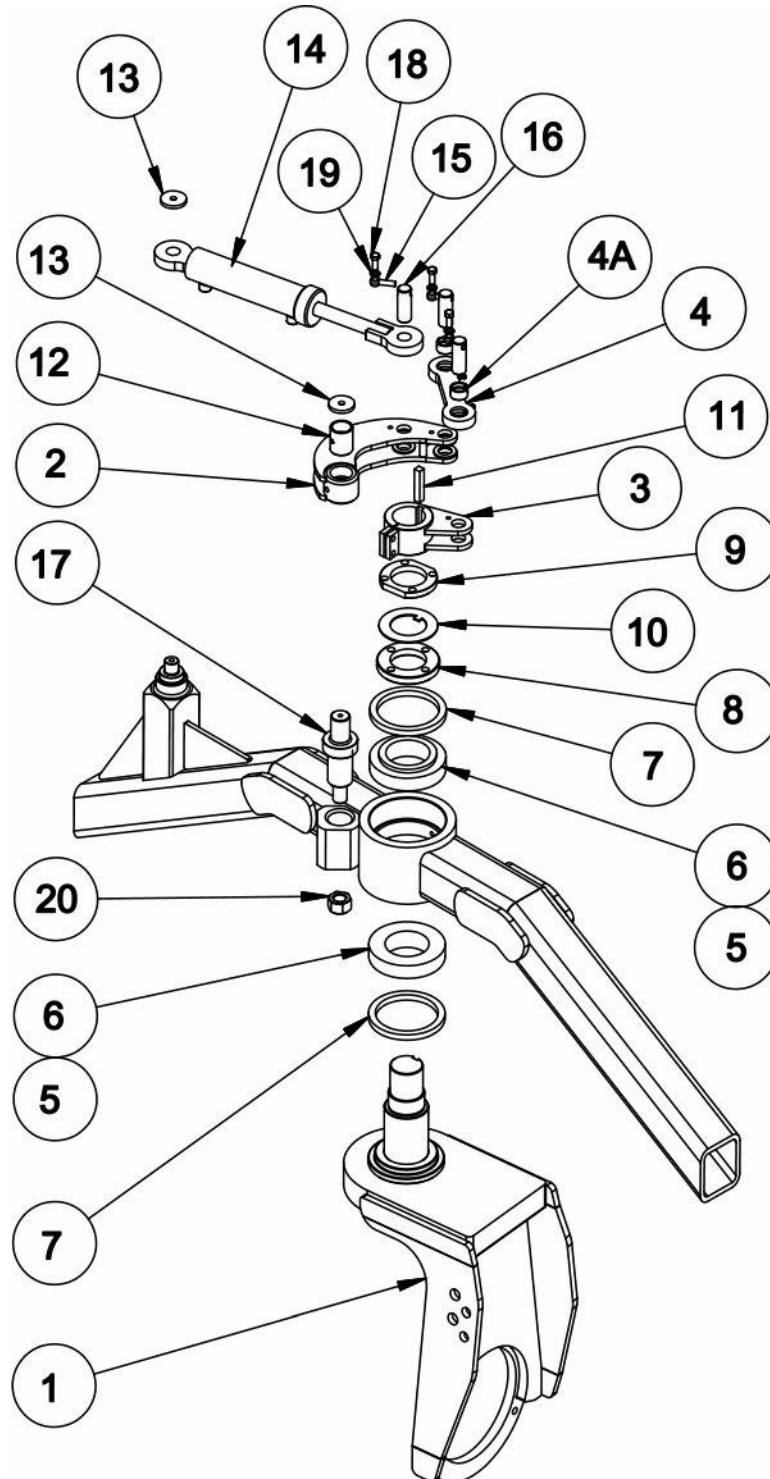
STEERING ASSEMBLY .....	2
SPANNER WRENCH .....	3



# Bright Forklift

BC3-6000

STEERING ASSEMBLY (097-21301)



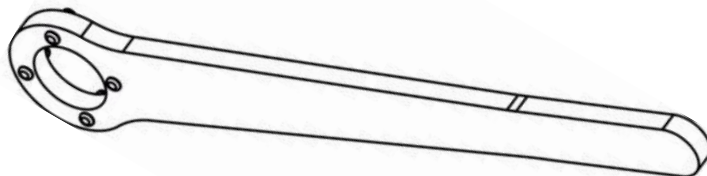


# Bright Forklift

**BC3-6000**

## STEERING ASSEMBLY (097-21301)

ITEM	PART NUMBER	DESCRIPTION	QTY	MODEL Or SERIAL #
1	097-21310	STEER AXLE WELDMENT	1	
2	097-21321	SWING ARM WELDMENT (60HP)	1	
3	097-21330	BELL CRANK WELDMENT	1	
4	097-21340	CONNECTING LINK ASSEMBLY (INCLUDES ITEM 4A)	1	
4A	030-00096	BUSHING	2	
5	030-00076	CUP BEARING	2	
6	030-00075	CONE BEARING	2	
7	030-00077	STEERING SEAL	2	
8	097-20117	STEER AXLE NUT	1	
9	097-20118	STEER AXLE JAM NUT	1	
10	097-20119	SPECIAL LOCK WASHER	1	
11	097-20184	KEY FOR STEERING BELL CRANK	1	
12	097-20186	BUSHING FOR STEERING SWING ARM	1	
13	097-20187	SWING ARM RETAINER	2	
14	097-20179	STEERING CYLINDER	1	
15	098-01482	ROD END 3/8"	3	
16	097-20632	STEERING PIN	3	
17	097-20593	STUB SHAFT FOR STEERING	1	
18	REF	SCREW CAP HEX 3/8" NC X 1" GR 8)	3	
19	REF	LOCKWASHER 3/8"	3	
20	REF	HEX NUT 1" NC	1	
21	097-21350	SPANNER WRENCH	1	





# ***Bright Forklift***

**BC3-6000**



# **Bright Forklift**

**BC3-6000**

## **Section 3**

# **POWERTRAIN & CIRCUITS**

## **Contents**

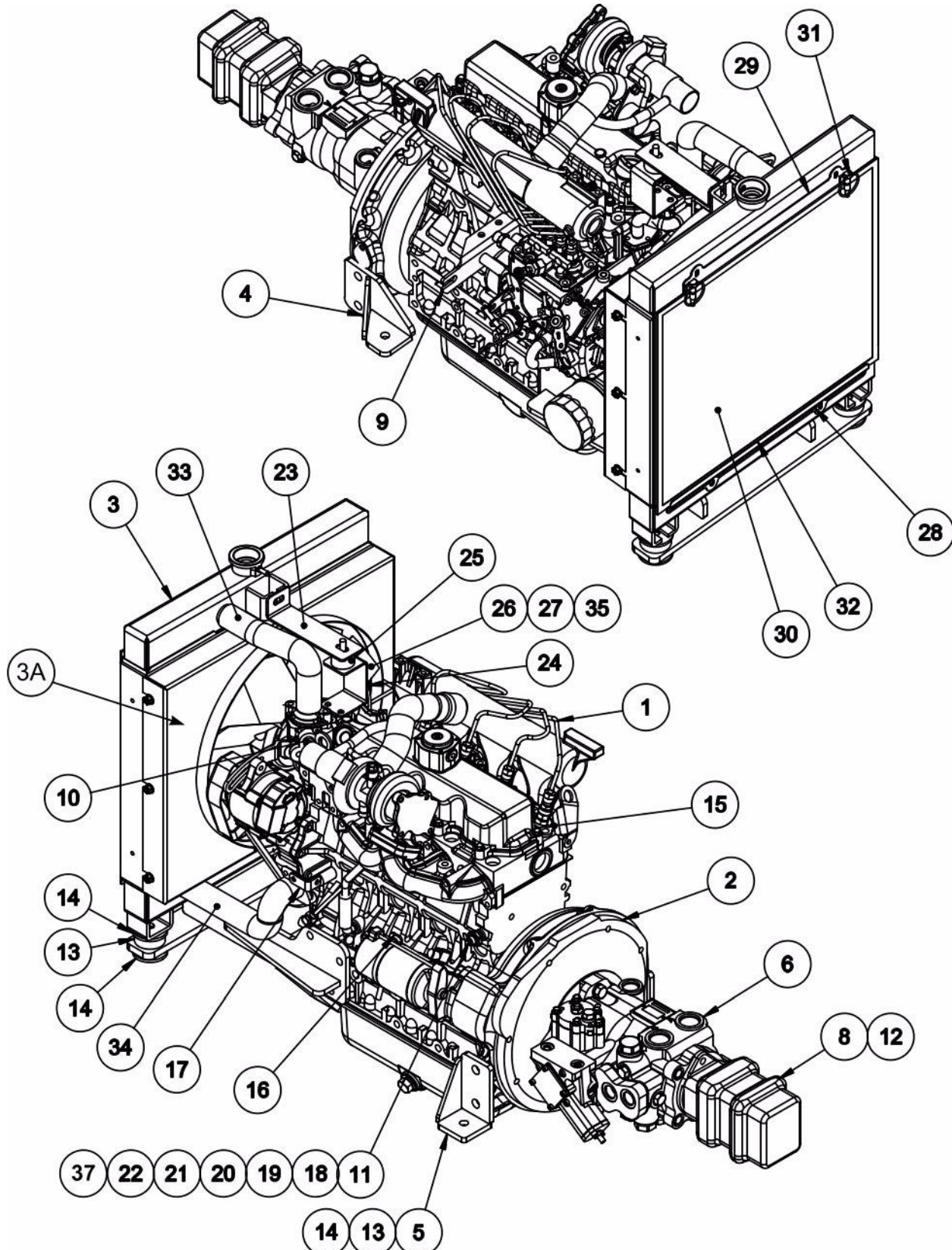
POWERTRAIN ASSEMBLY .....	2
EXHAUST CIRCUIT .....	4
AIR INTAKE CIRCUIT .....	6



# Bright Forklift

**BC3-6000**

## POWERTRAIN ASSEMBLY (097-21417)





# Bright Forklift

**BC3-6000**

## POWERTRAIN ASSEMBLY (097-21417)

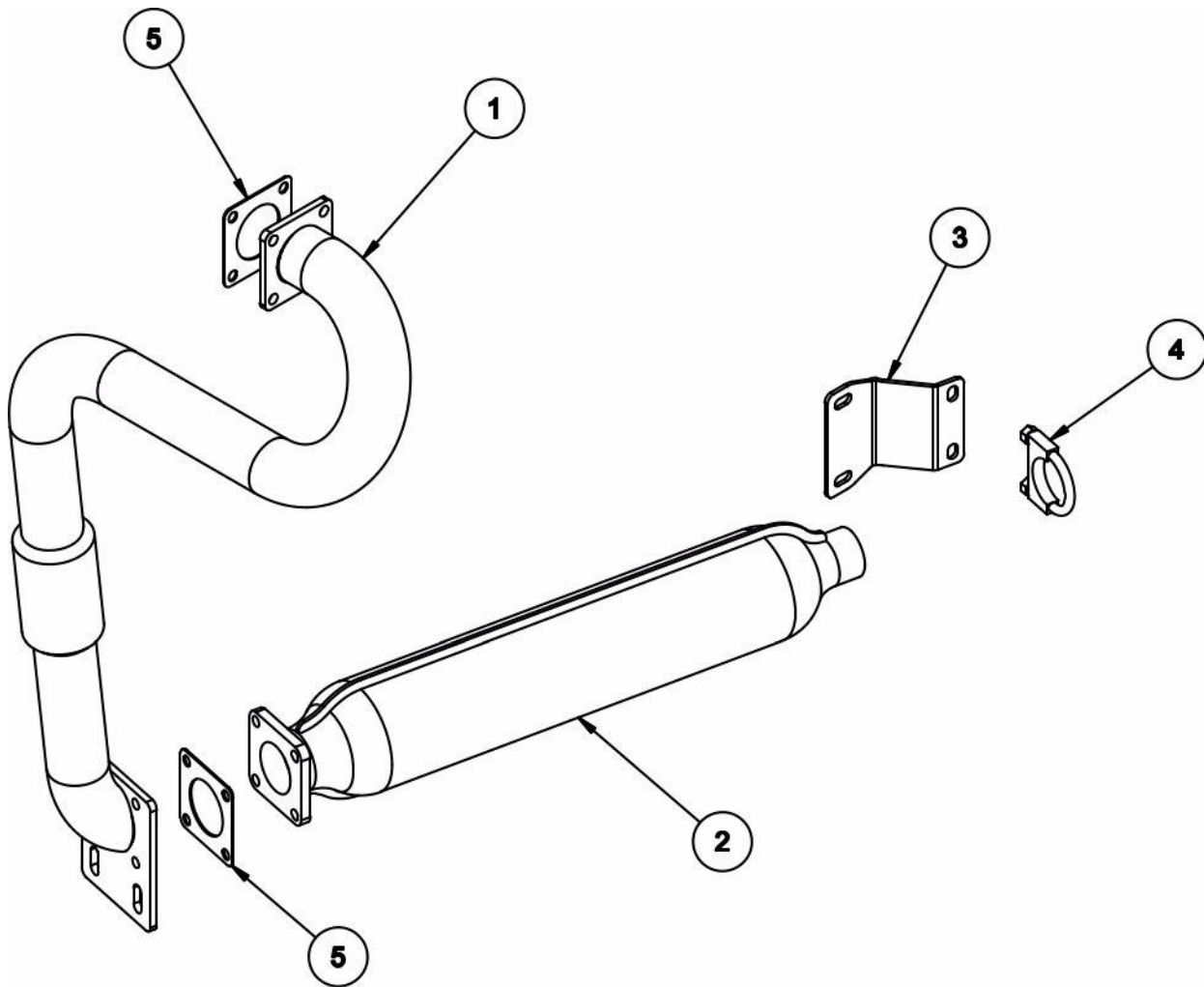
ITEM	PART NUMBER	DESCRIPTION	QTY	MODEL Or SERIAL #
1	097-20574	ENGINE KIT V2403M-T-60HP	1	
2	097-20910	HAYES PUMP DRIVE	1	
3	097-20639	HEAVY DUTY RADIATOR	1	
3A	097-20639-01	SHROUD	1	
4	097-21419	RH REAR ENGINE SUPPORT	1	
5	097-21418	LH REAR ENGINE SUPPORT	1	
6	097-20290	VARIABLE DISPLACEMENT PUMP MPV046	1	
7	097-21414	FRONT ENGINE SUPPORT WELDMENT	1	
8	097-20189	TANDEM GEAR PUMP	1	
9	097-20399	FUEL THROTTLE CABLE SUPPORT	1	
10	097-20389	TEMPERATURE SENDING UNIT	1	
11	097-20390	OIL PRESSURE SENDING UNIT	1	
12	097-00851	O-RING	1	
13	097-20185	VIBRA-MOUNT (CBA20-400)	5	
14	097-20188	TAIL WASHER (VIBRA-MOUNT)	8	
15	097-20358	TEMPERATURE SWITCH (SHUT DOWN)	1	
16	097-20621	WIRE SUPPORT-01	1	
17	097-20622	WIRE SUPPORT-02	1	
18	330-00722	FITTING STRAIGHT 02 BSPP TO 04 IC	1	
19	330-00723	TEE 1/8 NPT FEMALE	1	
20	330-00693	FITTING 02 NPT TO 04 JIC	1	
21	330-00688	CLAMP FOR 1" HOSE	1	
22	097-20566	HOSE 1/4" (ENGINE TO OIL PRESSURE SENSORS)	1	
23	097-20654	RADIATOR TOP BRACKET-01	1	
24	097-20655	RADIATOR TOP BRACKET-02	1	
25	097-20641	FLEX-BLOT MOUNT	1	
26	097-20643	HEAVY DUTY FAN	1	
27	097-20647	ENGINE FAN SPACER (1")	1	
28	097-20499	RADIATOR SCREEN BOTTOM SUPPORT	1	
29	097-20500	RADIATOR SCREEN TOP SUPPORT	1	
30	097-20497	RADIATOR SCREEN	1	
31	097-20602	1/4" LINCH PIN	2	
32	098-00759	EDGE TRIM	1.5'	
33	097-00538	UPPER RADIATOR HOSE	1	
34	097-00539	LOWER RADIATOR HOSE	1	
35	210-00844	HHCS M6 X 45 GR 10.9	4	
36	097-20940	OVERFLOW RESERVOIR (NOT SHOWN)	1	
37	097-00421	OIL PRESSURE SWITCH (SHUT DOWN) (NOT SHOWN)	1	



# Bright Forklift

**BC3-6000**

**EXHAUST CIRCUIT (097-21424)**







# Bright Forklift

**BC3-6000**

## EXHAUST CIRCUIT (097-21424)

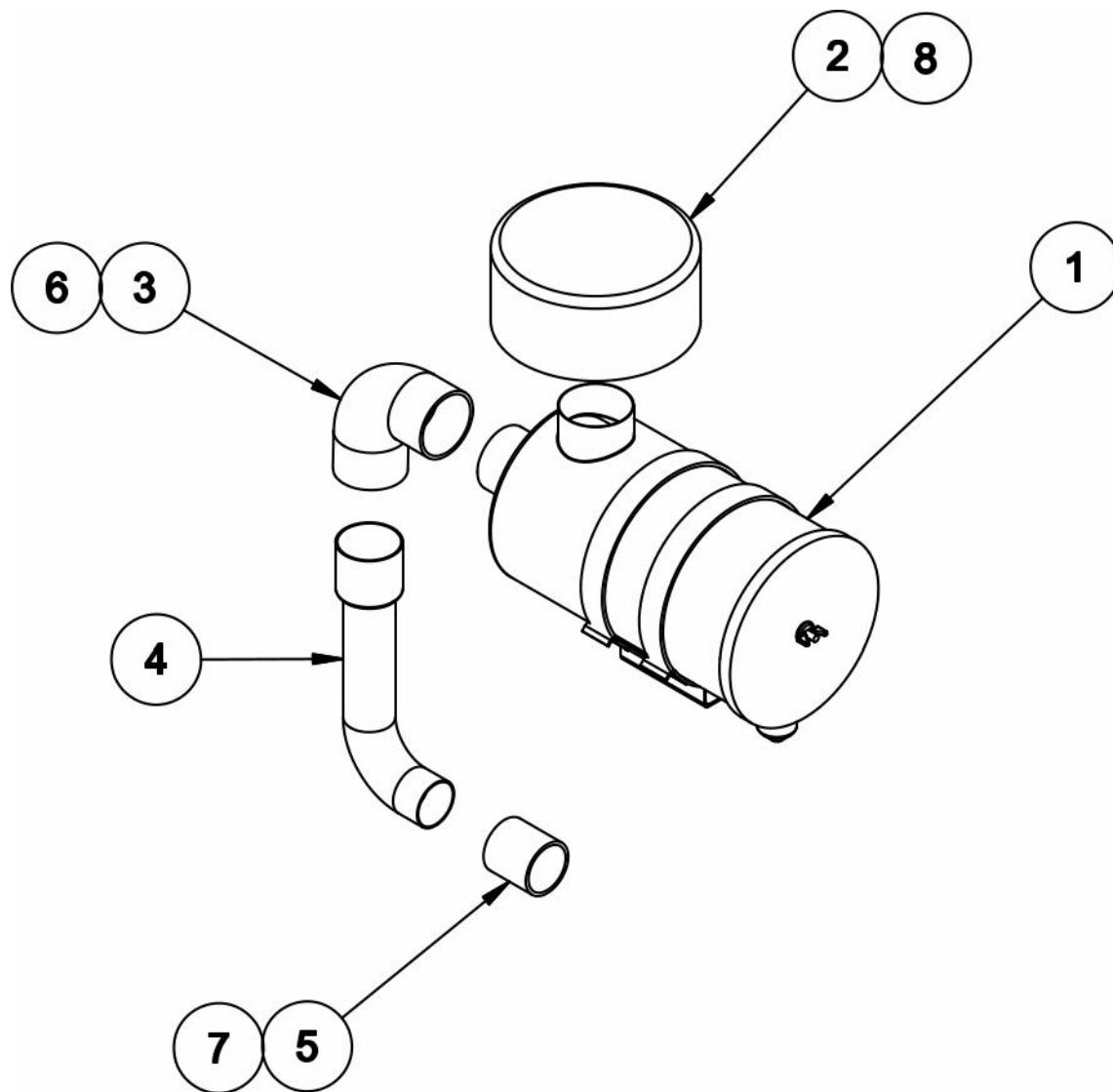
ITEM	PART NUMBER	DESCRIPTION	QTY	MODEL Or SERIAL #
1	097-21423	EXHAUST PIPE (BC3-6000)	1	
2	097-20338	MUFFLER	1	
3	097-20615	MUFFLER REAR SUPPORT	1	
4	097-20370	1-3/4" ZINC PLATED MUFFLER CLAMP	1	
5	097-00489	MUFFLER GASKET	2	



# Bright Forklift

BC3-6000

AIR INTAKE CIRCUIT (097-21431)





# Bright Forklift

**BC3-6000**

## AIR INTAKE CIRCUIT (097-21431)

ITEM	PART NUMBER	DESCRIPTION	QTY	MODEL Or SERIAL #
1	097-20902	*AIR CLEANER ASSEMBLY	1	
2	097-20903	PRE-CLEANER	1	
3	097-20676	2-1/4" 90° RUBBER ELBOW	1	
4	097-20677	SPECIAL ELBOW FOR INTAKE	1	
5	097-20679	1-5/8" ID TURBO SLEEVE	1	
6	370-00020	T-BOLT CLAMP	2	
7	370-00021	T-BOLT CLAMP	2	
8	097-00682	REDUCER	1	

NOTE: \* SEE SECTION 10 FOR COMPONENT REPLACEMENT PARTS.



# ***Bright Forklift***

**BC3-6000**



# Bright Forklift

BC3-6000

## Section 4

# FORKLIFT CIRCUITS

## Contents

HYDRAULIC CIRCUITS	
MAIN CIRCUIT-----	2
DRIVE CIRCUIT-----	4
PARKING BRAKE & FNR CIRCUIT-----	6
STEERING & COOLING CIRCUIT-----	8
LIFT CIRCUIT-----	10
HORIZONTAL CIRCUIT-----	12
TILT CIRCUIT-----	14
SIDESHIFT CIRCUIT-----	16
ROTATOR CIRCUIT-----	18
STABILIZER CIRCUIT-----	20
THROTTLE CONTROL-----	22
FUEL CIRCUIT-----	24
ELECTRICAL CIRCUIT-----	26
LIGHT ASSEMBLY-----	28
DASH ASSEMBLY-----	30





# Bright Forklift

**BC3-6000**

## MAIN CIRCUIT (097-21510A)

ITEM	PART NUMBER	DESCRIPTION	QTY	MODEL Or SERIAL #
4	097-00017	SIGHT GAUGE	1	
5	350-00001	FILLER BREATHER	1	
6	097-20160	CLEAN-OUT PLATE	1	
7	097-20191	SUCTION STRAINER	1	
8	510-00218	MAGNETIC PLUG	1	
9	097-20194	RETURN FILTER HEAD	1	
10	230-00060	RETURN FILTER ELEMENT	1	
12	097-20295	*MONOBLOCK CONTROL VALVE	1	
14	097-21517	*MANIFOLD BLOCK ASSEMBLY (P. BRAKE/SUCTION/ RETURN)	1	
26	097-20368	RETURN CHECK VALVE	1	
27	330-00174	3/8 HOSE CLAMPING DEVICE	1	
41	330-00115	STRAIGHT THREAD ELBOW (JIC-ORB)	16	
42	330-00107	STRAIGHT THREAD ELBOW (JIC-ORB)	1	
43	330-00106	STRAIGHT THREAD ELBOW (JIC-ORB)	1	
45	330-00108	STRAIGHT THREAD ELBOW (JIC-ORB)	5	
47	330-00111	STRAIGHT THREAD ELBOW (JIC-ORB)	2	
48	330-00112	STRAIGHT THREAD ELBOW (JIC-ORB)	2	
49	330-00237	STRAIGHT THREAD CONNECTOR (JIC-ORB)	4	
50	330-00663	SWIVEL ELBOW CONNECTOR (ORB-JIC SWIVEL)	1	
58	330-00677	STRAIGHT THREAD RUN TEE (JIC-ORB-JIC)	1	
59	330-00041	STRAIGHT THREAD CONNECTOR (JIC-ORB)	1	
67	330-00671	SPLIT FLANGE CLAMP KIT	1	
68	330-00672	SPLIT FLANGE CLAMP KIT	1	
69	330-00673	SPLIT FLANGE CLAMP KIT	1	
100	097-20529	HOSE 1/2" (PUMP TO CONTROL VALVE)	1	
122	097-20551	HOSE 3/4" (MAN BLOCK "P" TO TANK)	1	
123	097-20552	HOSE 3/4" (CONTROL VALVE TO MAN BLOCK "D")	1	
124	097-20553	HOSE 1" (MAN BLOCK "N" TO RETURN FILTER)	1	
125	097-20554	HOSE 1" (RETURN FILTER TO TANK)	1	
127	097-20556	HOSE 1-1/4" (MAN BLOCK "C" TO PUMP)	1	
128	097-20557	HOSE 1-1/2" (TANK TO MAN BLOCK "A")	1	
138	097-20189	MAIN HYDRAULIC PUMP	1	
155	097-20391	6" LONG LEVER	4	
156	097-20392	4-3/4" LONG LEVER	2	

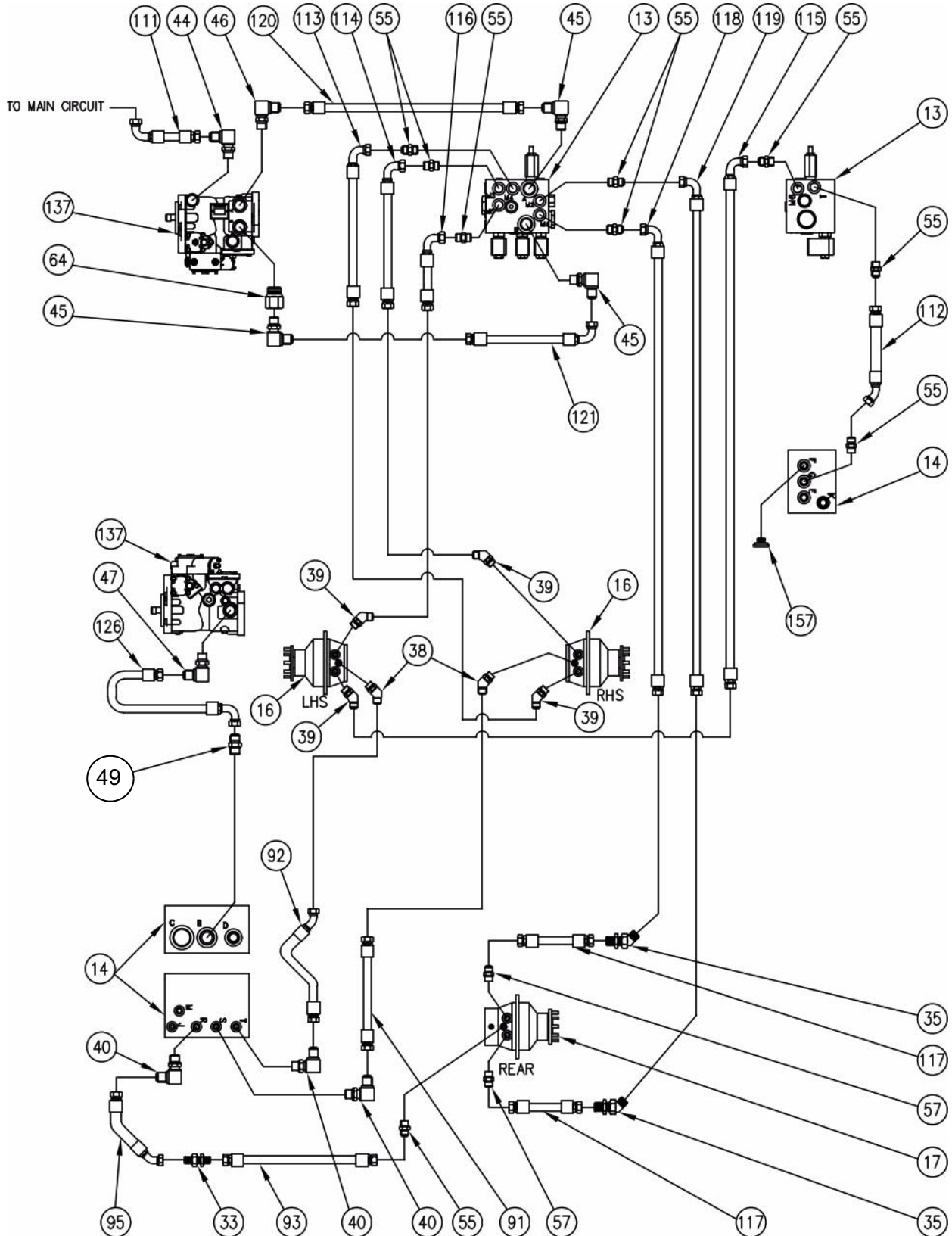
NOTE: \*SEE SECTION 10 COMPONENT REPLACEMENT PARTS.



# Bright Forklift

BC3-6000

## DRIVE CIRCUIT (097-21510A)







# Bright Forklift

**BC3-6000**

## DRIVE CIRCUIT (097-21510A)

ITEM	PART NUMBER	DESCRIPTION	QTY	MODEL Or SERIAL #
13	097-21516	*MANIFOLD BLOCK ASS'Y (TRACTION)	1	
14	097-21517	*MANIFOLD BLOCK ASS'Y (P. BRAKE/SUCTION RETURN)	1	
16	097-00034	FRONT DRIVE MOTOR	2	
16A	097-00863	**O-RING FOR COVER PLATE (NOT SHOWN)	1	
17	097-00035	REAR DRIVE MOTOR	1	
33	330-00658	BULKHEAD UNION (JIC-JIC)	2	
35	330-00660	45° BULKHEAD UNION ELBOW (JIC-JIC)	2	
38	330-00562	45° STRAIGHT THREAD ELBOW (JIC-ORB)	4	
39	330-00661	45° STRAIGHT THREAD ELBOW (JIC-ORB)	4	
40	330-00114	STRAIGHT THREAD ELBOW (JIC-ORB)	7	
44	330-00662	STRAIGHT THREAD ELBOW (JIC-ORB)	5	
45	330-00108	STRAIGHT THREAD ELBOW (JIC-ORB)	5	
46	330-00110	STRAIGHT THREAD ELBOW (JIC-ORB)	1	
47	330-00111	STRAIGHT THREAD ELBOW (JIC-ORB)	2	
49	330-00237	STRAIGHT THREAD CONNECTOR (JIC-ORB)	4	
55	330-00046	STRAIGHT THREAD CONNECTOR (JIC-ORB)	21	
57	330-00039	STRAIGHT THREAD CONNECTOR (JIC-ORB)	2	
64	330-00668	STRAIGHT THREAD REDUCER (ORB-ORB)	1	
91	097-20520	HOSE 3/8" (RHS MOTOR DRAIN TO MAN BLOCK "S")	1	
92	097-20521	HOSE 3/8" (LHS MOTOR DRAIN TO MAN BLOCK "T")	1	
93	097-20522	HOSE 3/8" (REAR MOTOR DRAIN TO BULKHEAD TOP)	1	
95	097-20524	HOSE 3/8" (BULKHEAD TOP OR BOTTOM TO MAN BLOCK "R" OR "H")	2	
111	097-20540	HOSE 1/2" (PUMP DRAIN TO MAN BLOCK "F")	1	
112	097-20541	HOSE 1/2" (DRIVE BLOCK "T" TO MAN BLOCK "G")	1	
113	097-20542	HOSE 1/2" (RHS MOTOR BOTTOM TO DRIVE BLOCK "M4")	1	
114	097-20543	HOSE 1/2" (RHS MOTOR TOP TO DRIVE BLOCK "M3")	1	
115	097-20544	HOSE 1/2" (LHS MOTOR BOTTOM TO DRIVE BLOCK "M6")	1	
116	097-20545	HOSE 1/2" (LHS MOTOR TOP TO DRIVE BLOCK "M5")	1	
117	097-20546	HOSE 1/2" (REAR MOTOR "L OR R" TO BULKHEAD TOP OR BOTTOM)	2	
118	097-20547	HOSE 1/2" (BULKHEAD TOP TO DRIVE BLOCK "M1")	1	
119	097-20548	HOSE 1/2" (BULKHEAD BOTTOM TO DRIVE BLOCK "M2")	1	
120	097-20549	HOSE 3/4" (PUMP "A" TO DRIVE BLOCK "A")	1	
121	097-20550	HOSE 3/4" (PUMP "B" TO DRIVE BLOCK "B")	1	
126	097-20555	HOSE 1" (MAN BLOCK "B" TO PUMP)	1	
137	097-20290	HYDROSTATIC PUMP	1	
157	330-00676	HOLLOW HEX PLUG (ORB)	1	

NOTE: \*SEE SECTION 10 COMPONENT REPLACEMENT PARTS.

NOTE: \*\* NOT SHOWN.





# Bright Forklift

**BC3-6000**

## PARKING BRAKE & FNR CIRCUIT (097-21510A)

ITEM	PART NUMBER	DESCRIPTION	QTY	MODEL Or SERIAL #
1	097-20183	FNR MOUNTING PLATE	1	
14	097-21517	*MANIFOLD BLOCK ASSEMBLY (P. BRAKE/SUCTION/RETURN)	1	
15	097-20296	FNR FOOT VALVE	1	
17	097-00035	REAR DRIVE MOTOR	1	
18	097-20286	PRESSURE FILTER HEAD	1	
19	097-20287	PRESSURE FILTER ELEMENT	1	
25	097-20364	BACKUP ALARM SWITCH	1	
31	330-00657	FEMALE BRANCH TEE (JIC-JIC-NPT)	1	
33	330-00658	BULKHEAD UNION (JIC-JIC)	2	
40	330-00114	STRAIGHT THREAD ELBOW (JIC-ORB)	7	
44	330-00662	STRAIGHT THREAD ELBOW (JIC-ORB)	5	
51	330-00664	SWIVEL STRAIGHT CONNECTOR (JIC SWIVEL-ORB)	1	
52	330-00042	STRAIGHT THREAD CONNECTOR (JIC-ORB)	1	
53	330-00665	STRAIGHT THREAD CONNECTOR (JIC-ORB)	2	
54	330-00043	STRAIGHT THREAD CONNECTOR (JIC-ORB)	5	
56	330-00036	STRAIGHT THREAD CONNECTOR (JIC-ORB)	2	
63	330-00243	SWIVEL NUT RUN TEE (JIC-JIC SWIVEL-JIC)	1	
65	330-00669	HOLLOW HEX PLUG (ORB)	2	
66	330-00670	HOLLOW HEX PLUG (ORB)	1	
72	097-20501	HOSE 1/4" (FNR VALVE "1 OR 2" TO PUMP CONTROL)	2	
94	097-20523	HOSE 3/8" (REAR MOTOR P. BRAKE TO BULKHEAD BOTTOM)	1	
95	097-20524	HOSE 3/8" (BULKHEAD TOP OR BOTTOM TO MAN BLOCK "R" OR "H")	2	
96	097-20525	HOSE 3/8" (CHARGE PRESSURE TO MAN BLOCK "J")	1	
97	097-20526	HOSE 3/8" (MAN BLOCK "M" TO FNR VALVE "P")	1	
98	097-20527	HOSE 3/8" (FNR VALVE TO MAN BLOCK "Q")	1	
129	097-20558	HOSE 1/2" (CHARGE PUMP TO PRESSURE FILTER)	1	
130	097-20559	HOSE 1/2" (PRESSURE FILTER TO PUMP)	1	
137	097-20290	HYDROSTATIC PUMP	1	

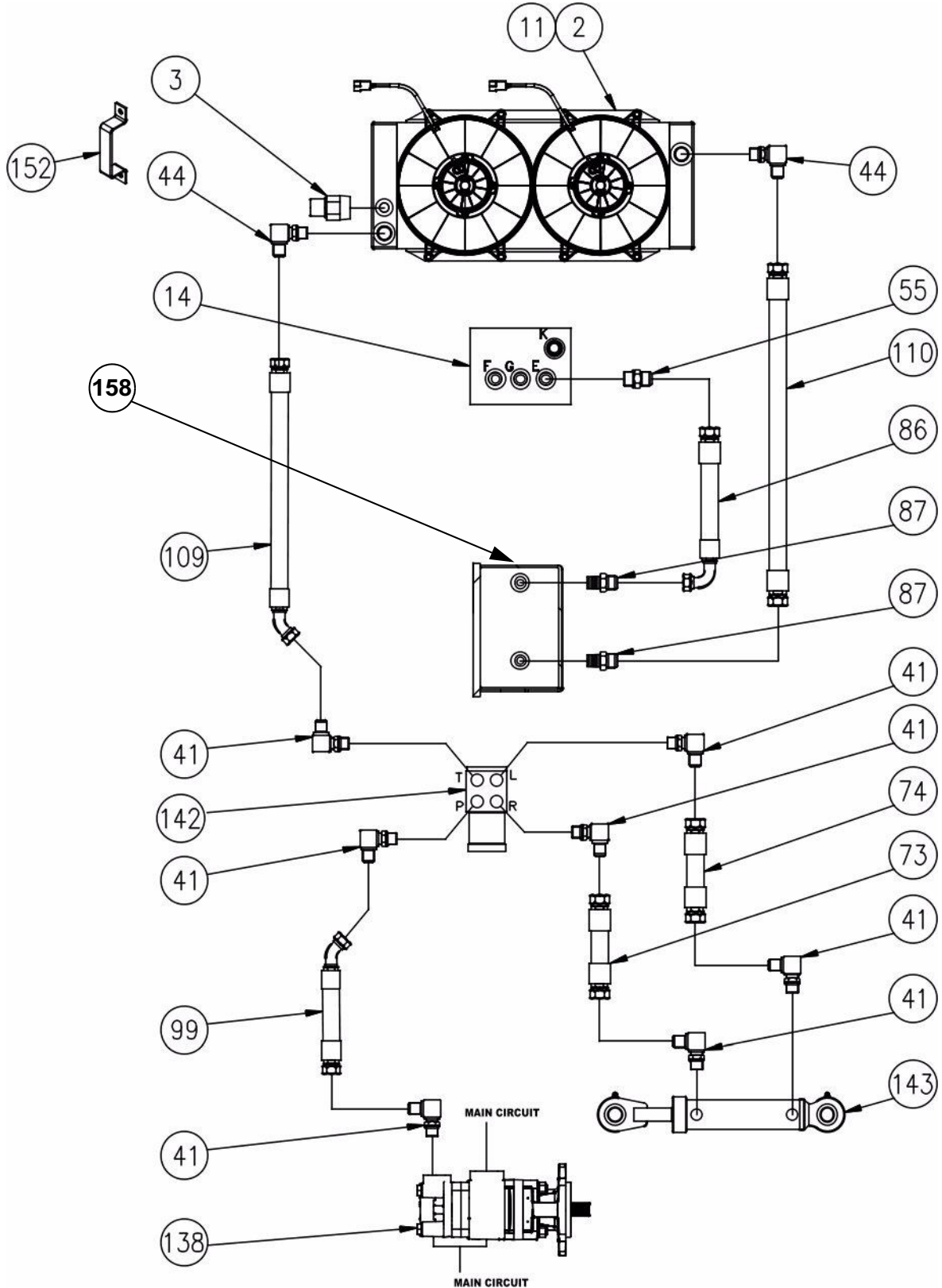
NOTE: \*SEE SECTION 10 COMPONENT REPLACEMENT PARTS.



# Bright Forklift

BC3-6000

## STEERING & COOLING CIRCUIT (097-21510A)





# Bright Forklift

**BC3-6000**

## STEERING & COOLING CIRCUIT (097-21510A)

ITEM	PART NUMBER	DESCRIPTION	QTY	MODEL Or SERIAL #
2	097-21519	OIL COOLER (DOUBLE) (INCLUDES 2A)	1	
2A	097-20961	OIL COOLER FAN	1	
3	097-20289	TEMPERATURE SWITCH	1	
11	097-20590	OIL COOLER SUPPORT	1	
14	097-21517	*MANIFOLD BLOCK ASS'Y (P.BRAKE/SUCTION/RETURN)	1	
41	330-00115	STRAIGHT THREAD ELBOW (JIC-ORB)	7	
44	330-00662	STRAIGHT THREAD ELBOW (JIC-ORB)	5	
55	330-00046	STRAIGHT THREAD CONNECTOR (JIC-ORB)	22	
73	097-20502	HOSE 3/8" (STEER UNIT "R" TO CYL. ROD)	1	
74	097-20503	HOSE 3/8" (STEER UNIT "L" TO CYL. BORE)	1	
86	097-20704	HOSE 1/2" (FROM RHS HYD. TANK TO MANIFOLD BLOCK 'E')	1	
87	330-00020	STRAIGHT ADAPTOR (NPT-JIC)	2	
99	097-20528	HOSE 1/2" (PUMP TO STEERING UNIT "P")	1	
109	097-20702	HOSE 1/2" (STEERING UNIT "T" TO COOLER)	1	
110	097-20703	HOSE 1/2" (COOLER TO RHS TANK)	1	
138	097-20189	MAIN HYDRAULIC PUMP	1	
142	430-00391	STEERING CONTROL UNIT	1	
143	097-20179	* STEERING CYLINDER	1	
152	097-20397	OMEGA SHAPED HOSE SUPPORT	1	
158	097-20597	RHS HYD TANK CLEANOUT COVER	1	

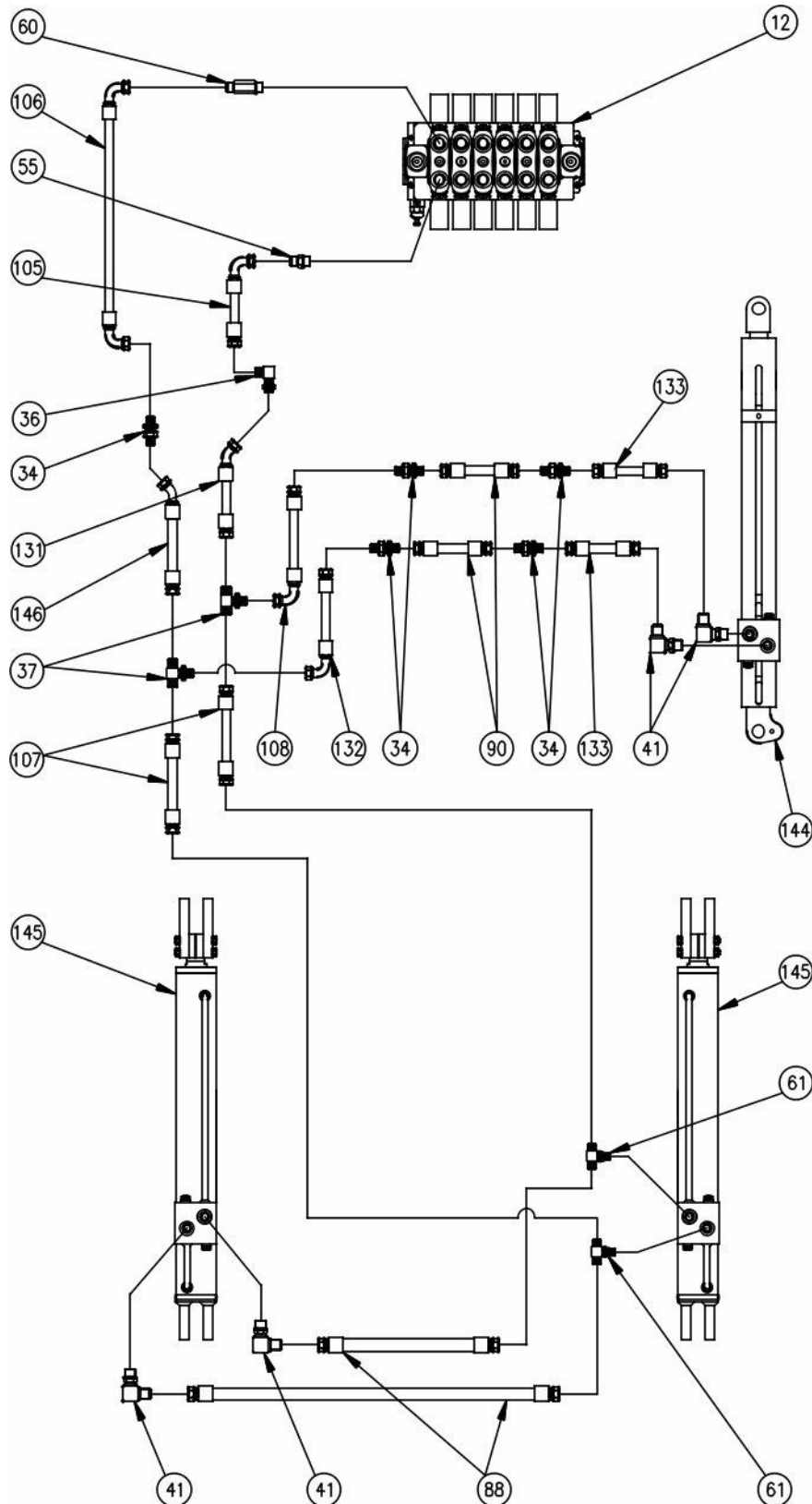
NOTE: \*SEE SECTION 10 COMPONENT REPLACEMENT PARTS.



# Bright Forklift

BC3-6000

## LIFT CIRCUIT (097-21510A)





# Bright Forklift

**BC3-6000**

## LIFT CIRCUIT (097-21510A)

ITEM	PART NUMBER	DESCRIPTION	QTY	MODEL Or SERIAL #
12	097-20295	*MONOBLOCK CONTROL VALVE	1	
34	330-00659	BULKHEAD UNION (JIC-JIC)	12	
36	330-00105	BULKHEAD UNION ELBOW (JIC-JIC)	4	
37	330-00131	BULKHEAD BRANCH TEE (JIC-JIC-JIC)	2	
41	330-00115	STRAIGHT THREAD ELBOW (JIC-ORB)	16	
55	330-00046	STRAIGHT THREAD CONNECTOR (JIC-ORB)	22	
60	330-00666	LONG STRAIGHT THREAD CONNECTOR (JIC-ORB)	6	
61	330-00117	STRAIGHT THREAD BRANCH TEE (JIC-JIC-ORB)	2	
88	097-20517	HOSE 3/8" (RHS LIFT CYL TO LHS LIFT CYLINDER)	2	
90	097-20519	HOSE 3/8" (OUTER MAST BULKHEAD TO INNER MAST BULKHEAD)	4	
105	097-20698	HOSE 1/2" (CONT. VALVE LIFT FRONT TO BULKHEAD SUPPORT TOP)	1	
106	097-20699	HOSE 1/2" (CONT. V. LIFT REAR TO BULKHEAD SUPPORT BOTTOM)	1	
107	097-20705	HOSE 1/2" (HORIZONTAL CARRIAGE TEE BULKHEAD BOTTOM, TO RHS LIFT CYLINDER BORE)	2	
108	097-20690	HOSE 3/8" (HORIZONTAL CARRIAGE TEE BULKHEAD TOP TO OUTER MAST BULKHEAD)	1	
131	097-20688	HOSE 1/2" (HORIZONTAL CARRIAGE BULK TO HORIZONTAL CARRIAGE TEE BULKHEAD, TOP)	1	
132	097-20691	HOSE 3/8" (HORIZONTAL CARRIAGE TEE BULKHEAD BOTTOM TO OUTER MAST BULKHEAD)	1	
133	097-20562	HOSE 3/8" (INNER MAST BULKHEAD TO FREE LIFT CYLINDER)	2	
144	097-20443	* FREELIFT CYLINDER	1	
145	097-20442	* LIFT CYLINDER (FREELIFT MAST)	2	
146	097-20689	HOSE 1/2" (HORIZONTAL CARRIAGE BULKHEAD TO HORIZONTAL CARRIAGE TEE BULKHEAD, BOTTOM)	1	

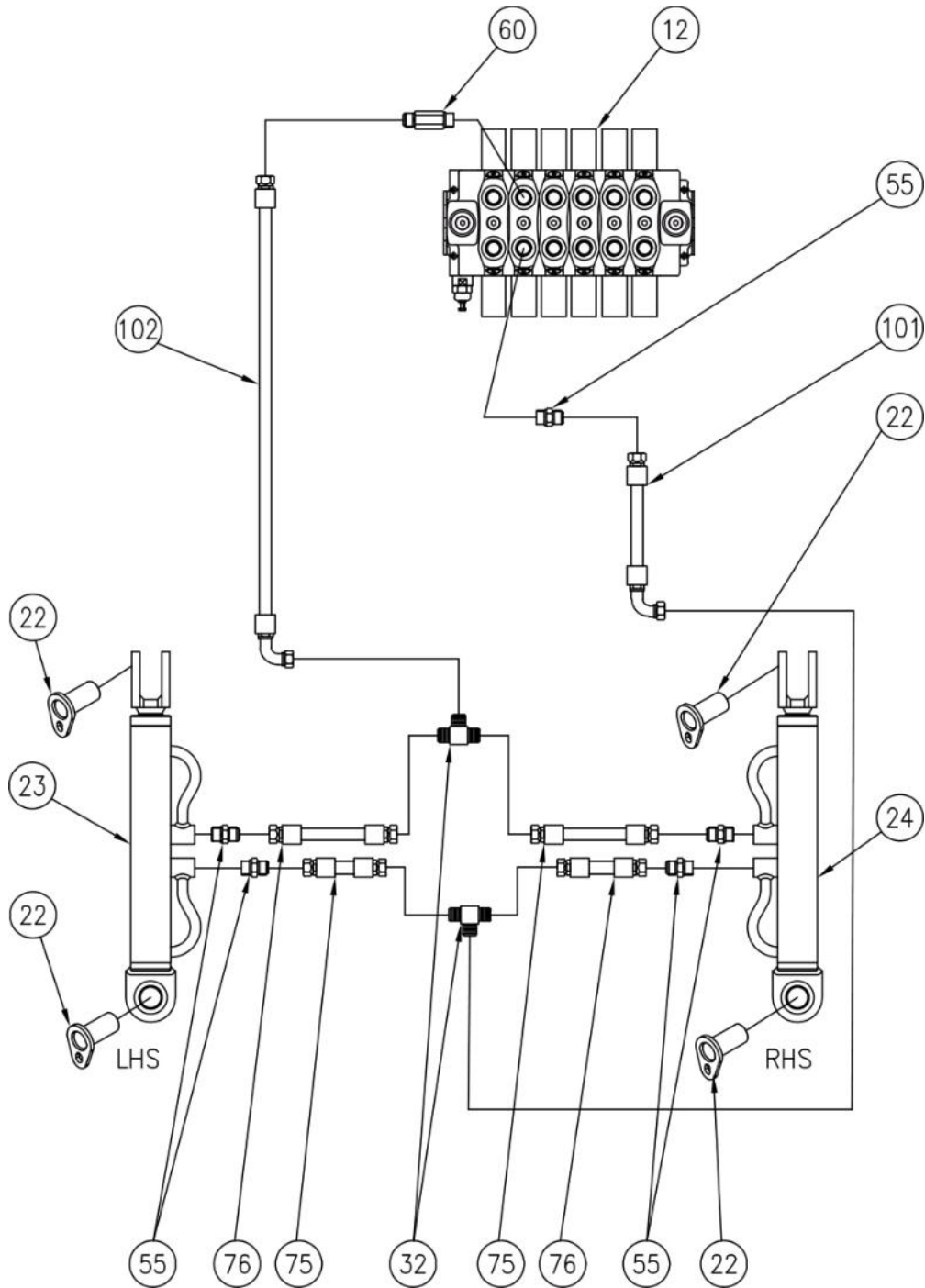
NOTE: \*SEE SECTION 10 COMPONENT REPLACEMENT PARTS.



# Bright Forklift

**BC3-6000**

## HORIZONTAL CARRIAGE CIRCUIT (097-21510A)







# Bright Forklift

**BC3-6000**

## HORIZONTAL CARRIAGE CIRCUIT (097-21510A)

ITEM	PART NUMBER	DESCRIPTION	QTY	MODEL Or SERIAL #
12	097-20295	*MONOBLOCK CONTROL VALVE	1	
22	097-21512	HORIZONTAL CARRIAGE CYLINDER PIN	4	
23	097-20177L	* HORIZONTAL CARRIAGE CYLINDER (LHS)	1	
24	097-20177R	* HORIZONTAL CARRIAGE CYLINDER (RHS)	1	
32	330-00238	UNION TEE (JIC-JIC-JIC)	4	
55	330-00046	STRAIGHT THREAD CONNECTOR (JIC-ORB)	22	
60	330-00666	LONG STRAIGHT THREAD CONNECTOR (JIC-ORB)	6	
75	097-20504	HOSE 3/8" (TEE TO HORIZONTAL CARRIAGE CYLINDER)	2	
76	097-20505	HOSE 3/8" (TEE TO HORIZONTAL CARRIAGE CYLINDER)	2	
101	097-20530	HOSE 1/2" (CONTROL VALVE FRONT TO TEE HORIZONTAL CARRIAGE CYLINDER BORE)	1	
102	097-20531	HOSE 1/2" (CONTROL VALVE REAR TO TEE HORIZONTAL CARRIAGE CYLINDER ROD)	1	

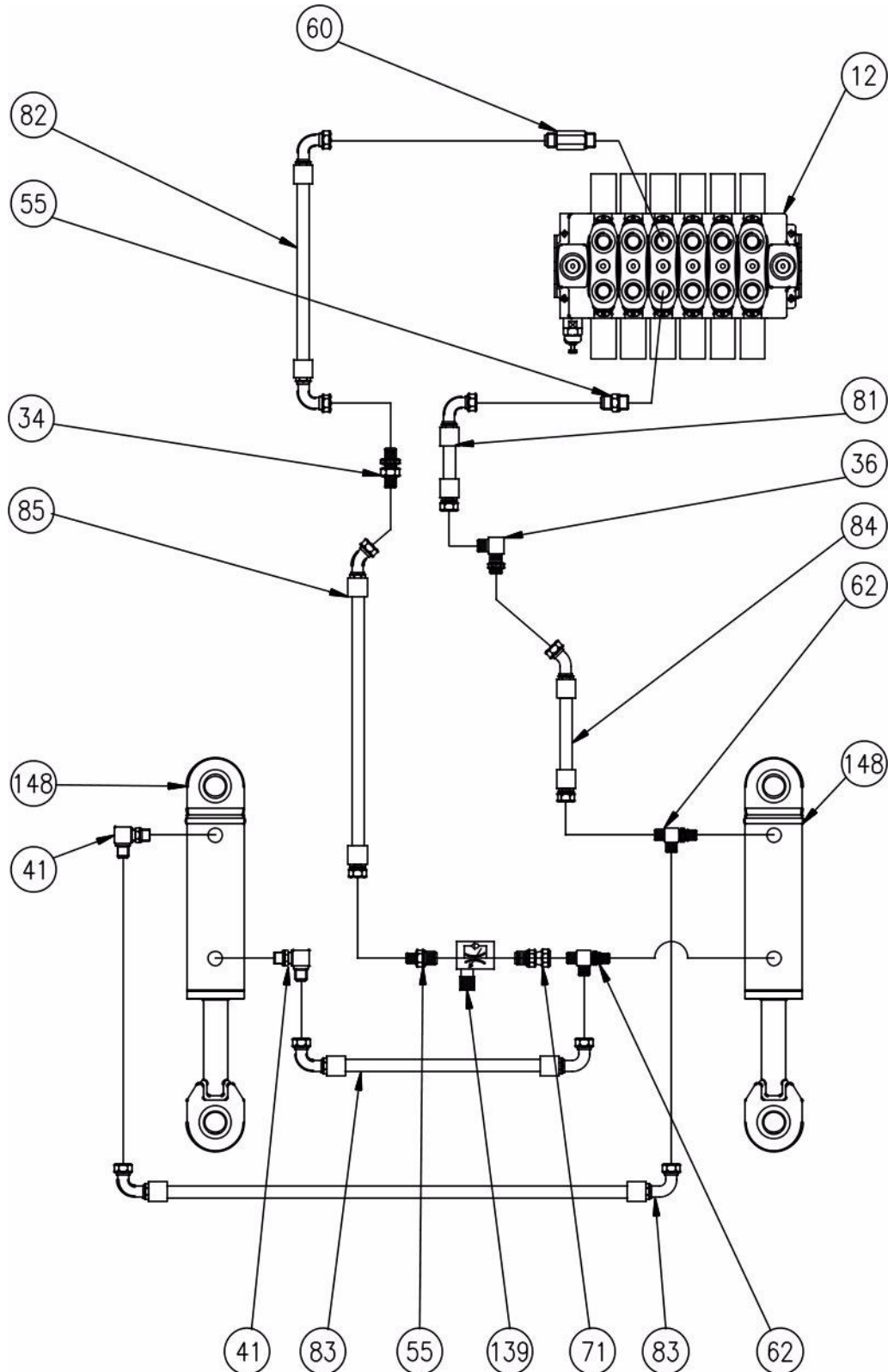
NOTE: \*SEE SECTION 10 COMPONENT REPLACEMENT PARTS.



# Bright Forklift

**BC3-6000**

**TILT CIRCUIT (097-21510A)**





# Bright Forklift

**BC3-6000**

## TILT CIRCUIT (097-21510A)

ITEM	PART NUMBER	DESCRIPTION	QTY	MODEL Or SERIAL #
12	097-20295	*MONOBLOCK CONTROL VALVE	1	
34	330-00659	BULKHEAD UNION (JIC-JIC)	12	
36	330-00105	BULKHEAD UNION ELBOW (JIC-JIC)	4	
41	330-00115	BULKHEAD UNION ELBOW (JIC-JIC)	16	
55	330-00046	STRAIGHT THREAD CONNECTOR (JIC-ORB)	22	
60	330-00666	LONG STRAIGHT THREAD CONNECTOR (JIC-ORB)	6	
62	330-00667	STRAIGHT THREAD RUN TEE (JIC-ORB-JIC)	2	
71	330-00631	SWIVEL STRAIGHT THREAD CONNECTOR (JIC FEMALE SWIVEL-ORB)	1	
81	097-20700	HOSE 3/8" (CONTROL VALVE TILT, SS OR ROTATOR FRONT TO BULKHEAD, TOP)	3	
82	097-20701	HOSE 3/8" (CONTROL VALVE TILT, SS OR ROTATOR REAR TO BULKHEAD, BOTTOM)	3	
83	097-20692	HOSE 3/8" (RHS TILT CYLINDER TO LHS TILT CYLINDER)	2	
84	097-20693	HOSE 3/8" (BULKHEAD TOP TO RHS TILT CYLINDER BORE)	1	
85	097-20693	HOSE 3/8" (BULKHEAD BOTTOM TO RHS TILT CYLINDER ROD)	1	
139	330-00630	FLOW CONTROL	1	
148	097-20180	* TILT CYLINDER)))	2	

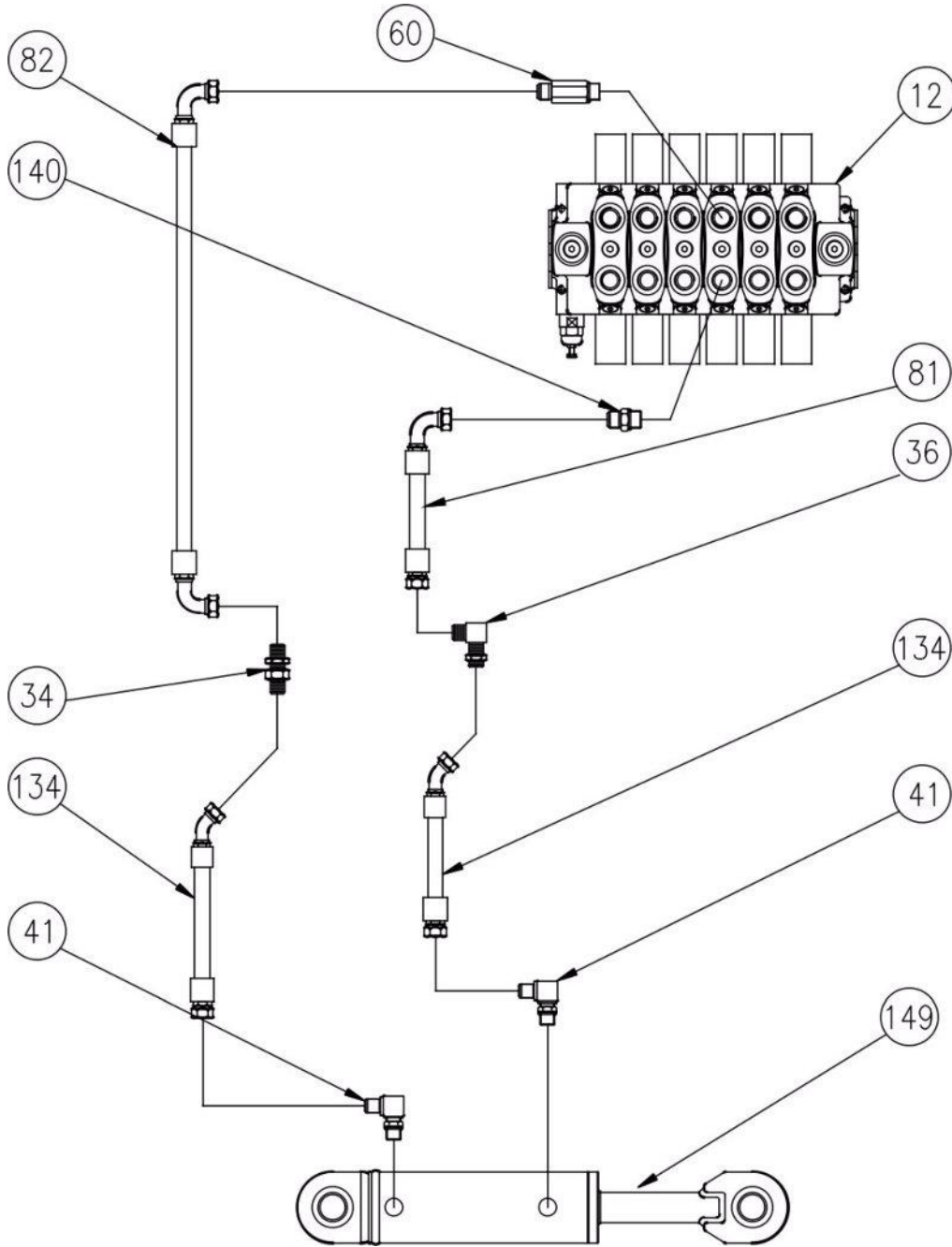
NOTE: \*SEE SECTION 10 COMPONENT REPLACEMENT PARTS.



# Bright Forklift

**BC3-6000**

## SIDESHIFT CIRCUIT (097-21510A)





# Bright Forklift

**BC3-6000**

## SIDESHIFT CIRCUIT (097-21510A)

ITEM	PART NUMBER	DESCRIPTION	QTY	MODEL Or SERIAL #
12	097-20295	*MONOBLOCK CONTROL VALVE	1	
34	330-00659	BULKHEAD UNION (JIC-JIC)	12	
36	330-00105	BULKHEAD UNION ELBOW (JIC-JIC)	4	
41	330-00115	BULKHEAD UNION ELBOW (JIC-JIC)	16	
60	330-00666	LONG STRAIGHT THREAD CONNECTOR (JIC-ORB)	6	
81	097-20700	HOSE 3/8" (CONT V. TILT, SS OR ROT FRONT TO BULKHEAD, TOP)	3	
82	097-20701	HOSE 3/8" (CONT V TILT, SS OR ROT REAR TO BULK, BOTTOM)	3	
134	097-20695	HOSE 3/8" (HORIZONTAL CARRIAGE BULKHEAD TO SIDESHIFT CYLINDER)	2	
140	330-00632	ORIFICE FITTING	2	
149	097-20176	* SIDESHIFT CYLINDER	1	

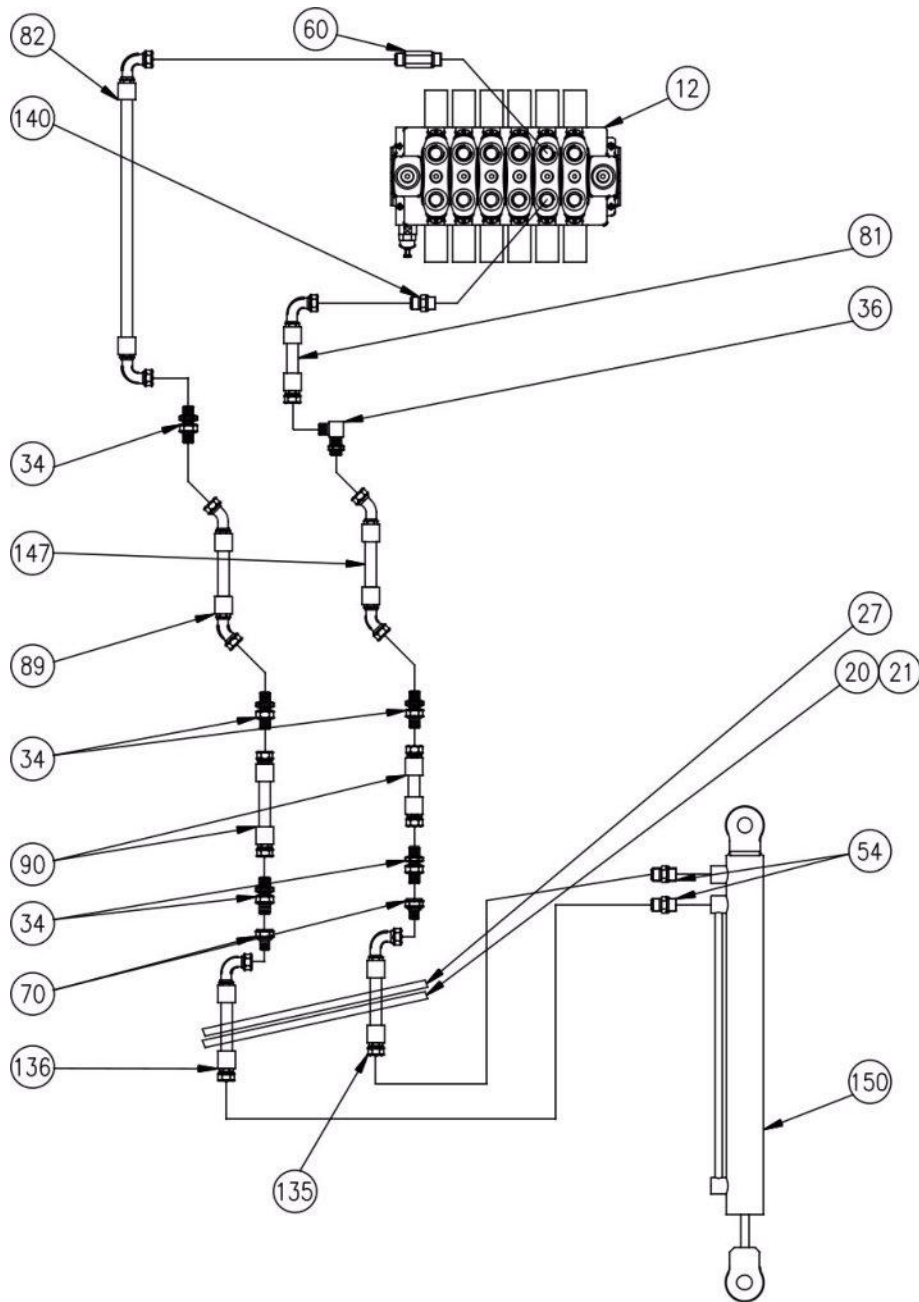
NOTE: \*SEE SECTION 10 COMPONENT REPLACEMENT PARTS.



# Bright Forklift

**BC3-6000**

**ROTATOR CIRCUIT (097-21510A)**





# Bright Forklift

**BC3-6000**

## ROTATOR CIRCUIT (097-21510A)

ITEM	PART NUMBER	DESCRIPTION	QTY	MODEL Or SERIAL #
12	097-20295	*MONOBLOCK CONTROL VALVE	1	
20	097-20326	HYDRAULIC HOSE GUIDE	3FT	
21	097-20327	HYDRAULIC HOSE GUIDE MOUNTING KIT	1	
27	330-00174	3/8" HOSE CLAMPING DEVICE	4	
34	330-00659	BULKHEAD UNION (JIC-JIC)	12	
36	330-00105	BULKHEAD UNION ELBOW (JIC-JIC)	4	
54	330-00043	STRAIGHT THREAD CONNECTOR (JIC-ORB)	5	
60	330-00666	LONG STRAIGHT THREAD CONNECTOR (JIC-ORB)	6	
70	330-00103	REDUCER (JIC-JIC)	2	
81	097-20700	HOSE 3/8" (CONT V. TILT, SS OR ROTATOR FRONT TO BULKHEAD TOP)	3	
82	097-20701	HOSE 3/8" (CONT V TILT, SS OR ROTATOR REAR TO BULKHEAD, BOTTOM)	3	
89	097-20697	HOSE 3/8" (HORIZONTAL CARRIAGE BULKHEAD BOTTOM TO LHS OUTER MAST BULKHEAD)	1	
90	097-20519	HOSE 3/8" (OUTER MAST BULKHEAD TO INNER MAST BULKHEAD)	4	
135	097-20564	HOSE 1/4" (INNER MAST BULKHEAD TO ROTATOR CYLINDER BORE)	1	
136	097-20565	HOSE 1/4" (INNER MAST BULKHEAD TO ROTATOR CYLINDER ROD)	1	
140	330-00632	ORIFICE FITTING	2	
150	097-20444	* ROTATOR CYLINDER (FREELIFT MAST)	1	
147	097-20696	HOSE 3/8" (HORIZONTAL CARRIAGE BULKHEAD, TOP TO RHS MAST BULKHEAD)	1	

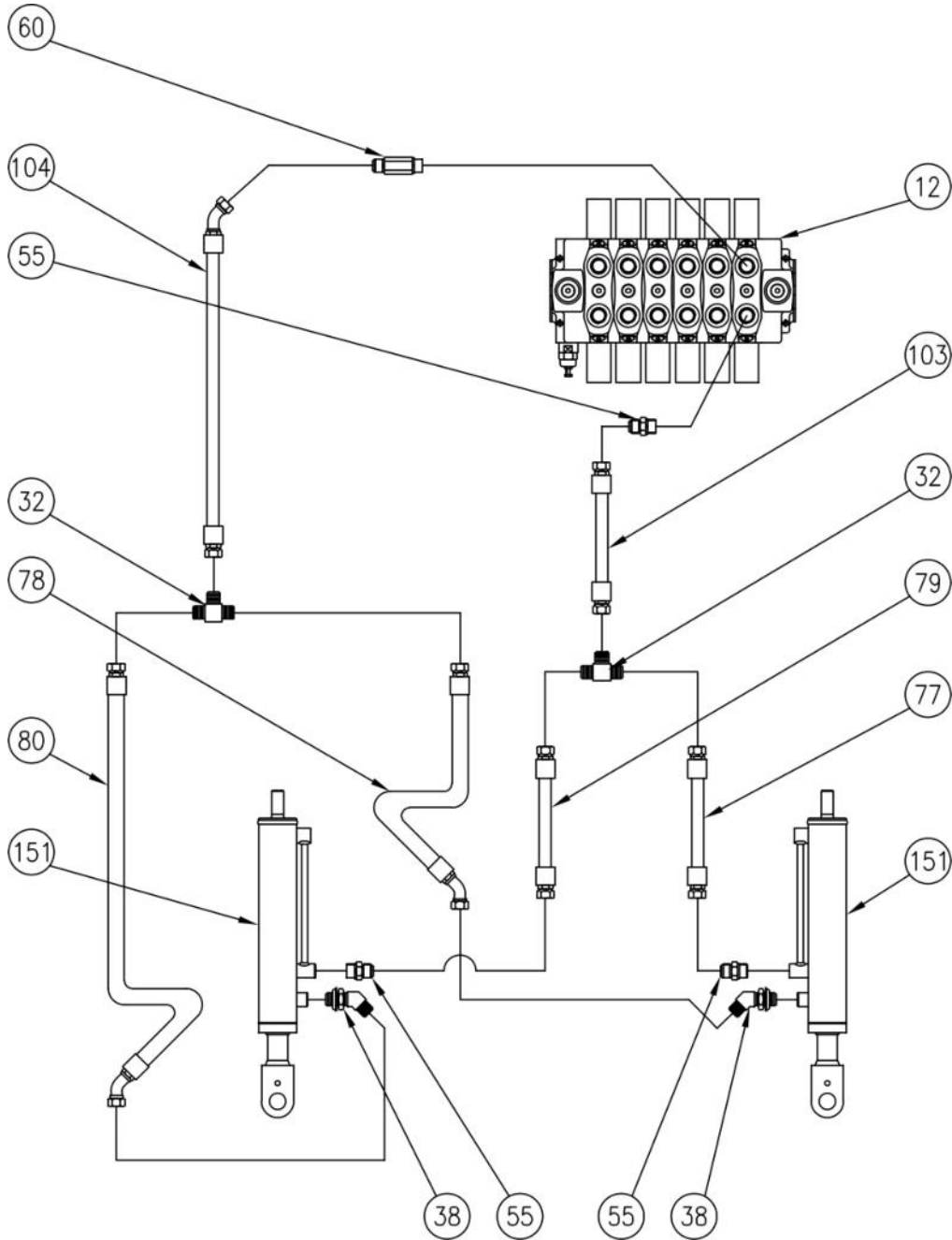
NOTE: \*SEE SECTION 10 COMPONENT REPLACEMENT PARTS.



# Bright Forklift

**BC3-6000**

## STABILIZER CIRCUIT (097-21510A)







# Bright Forklift

**BC3-6000**

## STABILIZER CIRCUIT (097-21510A)

ITEM	PART NUMBER	DESCRIPTION	QTY	MODEL Or SERIAL #
12	097-20295	*MONOBLOCK CONTROL VALVE	1	
32	330-00238	UNION TEE (JIC-JIC-JIC)	4	
38	330-00562	45° STRAIGHT THREAD ELBOW (JIC-ORB)	4	
55	330-00046	STRAIGHT THREAD CONNECTOR (JIC-ORB)	22	
60	330-00666	LONG STRAIGHT THREAD CONNECTOR (JIC-ORB)	6	
77	097-20506	HOSE 3/8" (TEE STABILIZER CYLINDER BORE TO RHS CYLINDER BORE)	1	
78	097-20507	HOSE 3/8" (TEE STABILIZER CYLINDER ROD TO RHS CYLINDER ROD)	1	
79	097-20508	HOSE 3/8" (TEE STABILIZER CYLINDER BORE TO LHS CYLINDER BORE)	1	
80	097-20509	HOSE 3/8" (TEE STABILIZER CYLINDER ROD TO LHS CYLINDER ROD)	1	
103	097-20532	HOSE 1/2" (CONTROL VALVE FRONT TO TEE STABILIZER CYLINDER BORE)	1	
104	097-20533	HOSE 1/2" (CONTROL VALVE REAR TO TEE STABILIZER CYLINDER ROD)	1	
151	097-20178	* STABILIZER CYLINDER	2	

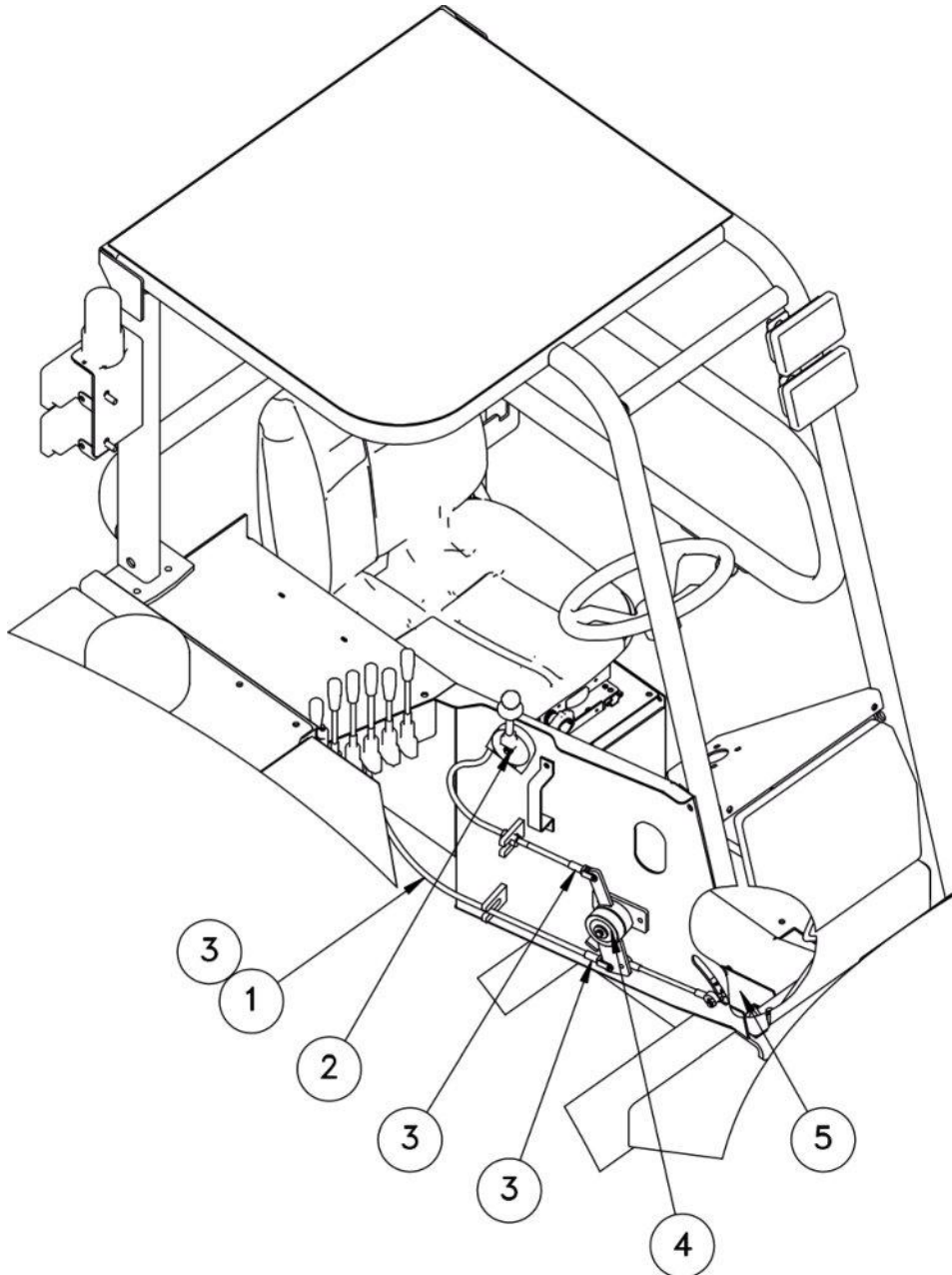
NOTE: \*SEE SECTION 10 COMPONENT REPLACEMENT PARTS.



# Bright Forklift

**BC3-6000**

**THROTTLE CONTROL (097-21520)**





# Bright Forklift

**BC3-6000**

## THROTTLE CONTROL (097-21520)

ITEM	PART NUMBER	DESCRIPTION	QTY	MODEL Or SERIAL #
1	097-20385	PUSH-PULL CABLE	1	
2	430-00390	HAND THROTTLE ASSEMBLY	1	
3	098-00969	CLEVIS	3	
4	097-21527	* THROTTLE BELL CRANKS ASSEMBLY	1	
5	097-21523	* FUEL PEDAL ASSEMBLY	1	

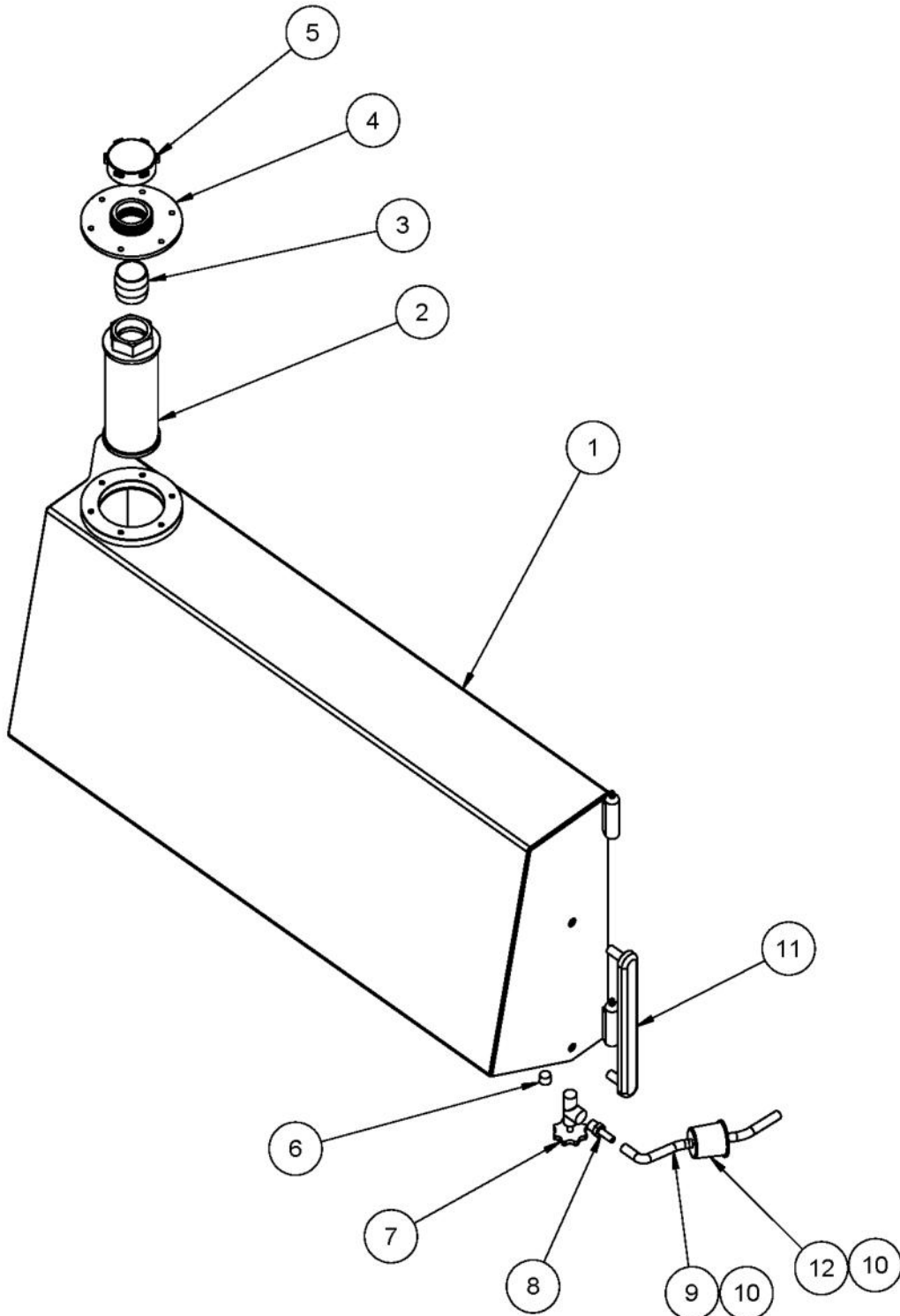
NOTE: \*SEE SECTION 10 COMPONENT REPLACEMENT PARTS.



# Bright Forklift

**BC3-6000**

**FUEL CIRCUIT (097-21521A)**





# Bright Forklift

**BC3-6000**

## FUEL CIRCUIT (097-21521A)

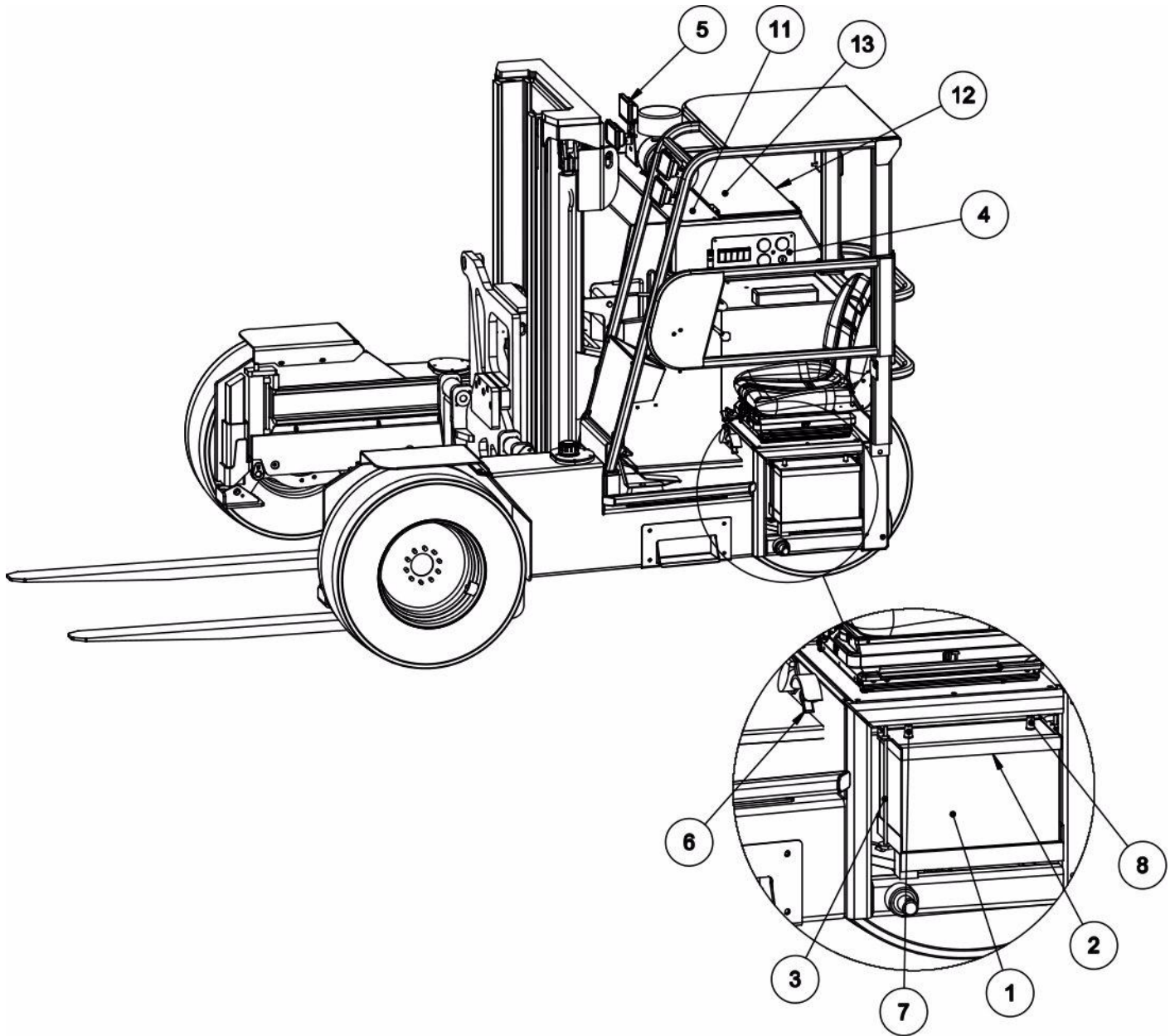
ITEM	PART NUMBER	DESCRIPTION	QTY	MODEL Or SERIAL #
1	097-21522A	FUEL TANK WELDMENT	1	
2	097-20191	TANK STRAINER	1	
3	510-00216	NIPPLE CLOSE	1	
4	097-21528	CLEAN-OUT COVER WELDMENT	1	
5	430-00350	FUEL CAP 2"	1	
6	510-00088	PLUG PIPE SOCKET HD	1	
7	098-01257	FUEL VALVE	1	
8	098-01258	1/2" HOSE BARB ADAPTER	1	
9	430-00268	FUEL HOSE 5/16" (4 FT.)	1	
10	370-00022	HOSE CLAMPS	6	
11	097-00016	SIGHT GAUGE (FUEL)	1	
12	097-20736	DIESEL IN-LINE FILTER	1	



# Bright Forklift

**BC3-6000**

**ELECTRICAL CIRCUIT (097-21548)**





# Bright Forklift

**BC3-6000**

## ELECTRICAL CIRCUIT (097-21548)

ITEM	PART NUMBER	DESCRIPTION	QTY	MODEL Or SERIAL #
1	430-00375	BATTERY	1	
2	097-21531	BATTERY HOLDER FRAME	1	
3	097-20610	ROD "J" HOLD DOWN BOLT 1/4-20 X 10-5/16"	1	
4	097-21533	DASH ASSEMBLY	1	
5	097-21532	LIGHT ASSEMBLY	1	
6	097-20346	MAIN CUT-OFF SWITCH	1	
7	097-21539	BATTERY CABLE (BATTERY POST + TO EYELET)	1	
8	097-21541	BATTERY CABLE (BATTERY POST - TO EYELET)	1	
9	097-21540	*BATTERY CABLE (EYELET TO EYELET POWER)	1	
10	097-21542	*BATTERY CABLE (EYELET TO EYELET GROUND)	1	
11	430-00195	HORN	1	
12	430-00196	BACKUP ALARM	1	
13	097-21546	MAIN HARNESS	1	
14	097-21547	*OIL COOLER HARNESS	1	
16	098-01503	*OIL COOLER POWER RELAY	1	

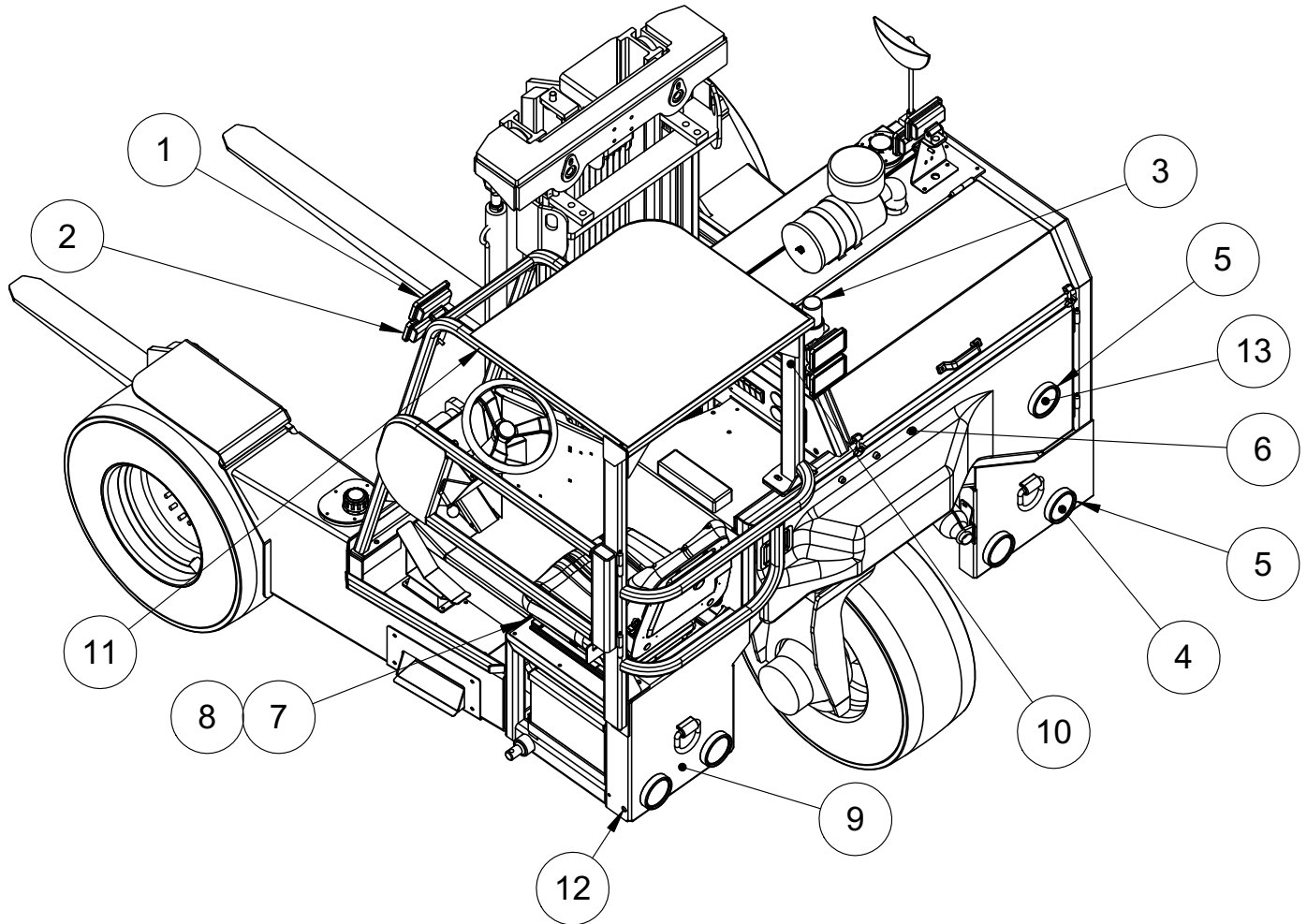
NOTE: \*NOT SHOWN.



# Bright Forklift

**BC3-6000**

**LIGHT ASSEMBLY (097-21532)**







# Bright Forklift

**BC3-6000**

## LIGHT ASSEMBLY (097-21532)

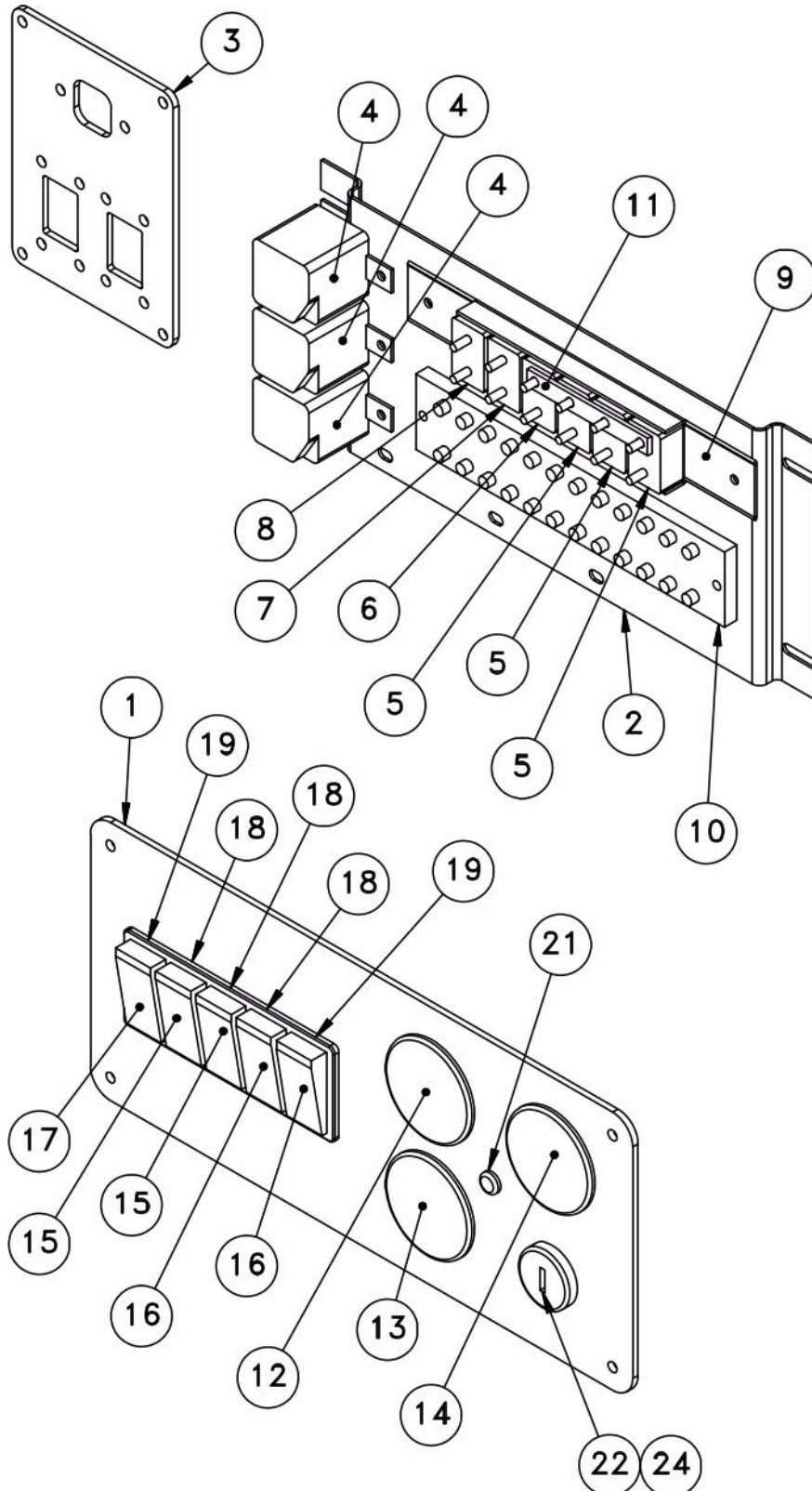
ITEM	PART NUMBER	DESCRIPTION	QTY	MODEL Or SERIAL #
1	097-20322	WHITE LED WORK LIGHT	3	
2	097-20323	RED LED WORK LIGHT	3	
3	097-20324	AMBER LED STROBE LIGHT	1	
4	190-00547	4" LED TAIL LIGHT	4	
5	190-00174	RUBBER GROMMET	5	
6	850-00180	RED LED ID ASSEMBLY	1	
7	097-00825	7 WAY TRAILER RECEPTACLE	1	
8	097-00824	RUBBER BOOTH FOR 7 WAY RECEPTACLE	1	
9	097-21538	TAIL LIGHT HARNESS	1	
10	097-21535	CAB REAR LIGHT HARNESS	1	
11	097-21536	CAB FRONT LIGHT HARNESS	1	
12	580-00181	MARKER LIGHT	2	
13	190-00339	BACKUP LIGHT	1	



# Bright Forklift

**BC3-6000**

**DASH ASSEMBLY (097-21533)**





# Bright Forklift

**BC3-6000**

**DASH ASSEMBLY (097-21533)**

ITEM	PART NUMBER	DESCRIPTION	QTY	MODEL Or SERIAL #
1	097-20365	DASHBOARD	1	
2	097-20366	POWER BOARD	1	
3	097-20396	CONNECTOR HOLDER	1	
4	190-00574	SEAL RELAY	3	
5	097-20347	10A TYPE II BREAKER	3	
6	097-20348	15A TYPE II BREAKER	1	
7	097-20382	20A TYPE II BREAKER	1	
8	097-20349	40A TYPE I BREAKER	1	
9	097-20350	BREAKER MOUNTING BRACKET (6 GANG)	1	
10	097-20351	TERMINAL BLOCK	1	
11	097-20475	BUS BAR (4 GANG)	1	
12	097-20386	WATER TEMPERATURE GAUGE (TEMP. SENDER 097-20358)	1	
13	097-20387	OIL PRESSURE GAUGE	1	
14	097-20388	HOURMETER	1	
15	097-20341	SEALED ROCKER SWITCH (ON-OFF) LIGHT & PARK BRAKE	2	
16	097-20342	SEALED ROCKER SWITCH (ON-OFF) HORN & DIFF.	2	
17	097-20343	SEALED ROCKER SWITCH (ON-ON) RED TO WHITE	1	
18	097-20344	MIDDLE ROCKER PANEL BRACKET	3	
19	097-20345	END ROCKER PANEL BRACKET	2	
20	097-21537	*DASH HARNESS (NOT SHOWN)	1	
21	190-00388	ALT. WARNING LIGHT	1	
22	430-00099	KEY SWITCH	1	
23	097-21544	*DIODE ASSEMBLY (NOT SHOWN)	1	
24	430-00099K	IGNITION KEY ONLY	1	

NOTE \* NOT SHOWN.



# ***Bright Forklift***

**BC3-6000**



# **Bright Forklift**

**BC3-6000**

## **Section 5**

### **TIRE GROUP**

### **Contents**

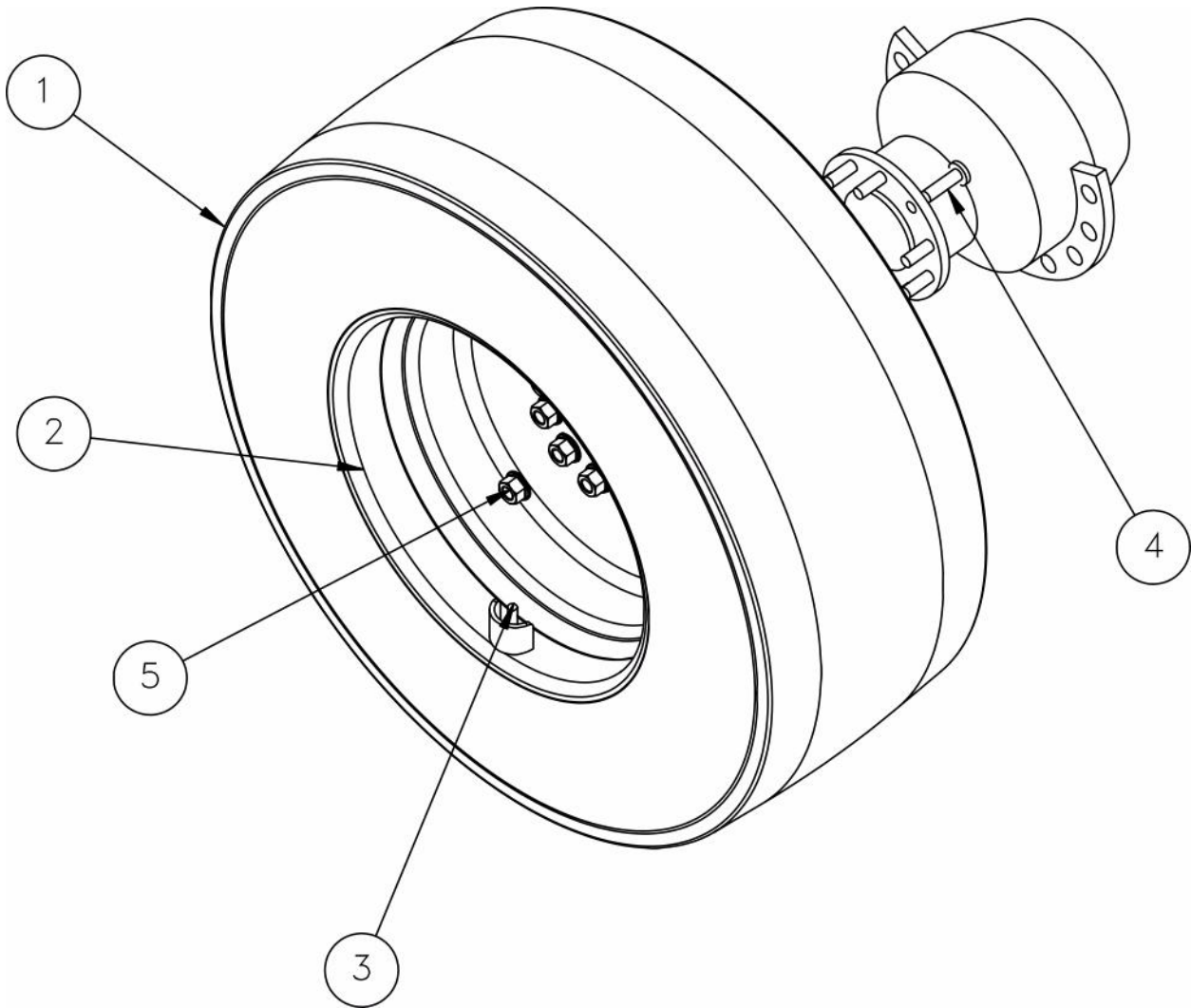
TIRE GROUP ..... 2



# Bright Forklift

**BC3-6000**

**TIRE GROUP (097-21600)**





# Bright Forklift

**BC3-6000**

TIRE GROUP (097-21600)

## WIDE TIRE

ITEM	PART NUMBER	DESCRIPTION	QTY	MODEL Or SERIAL #
		<b>31.5 X 13 - 16.5 TIRES (WIDE TIRE)</b>		
1	097-20306	TIRE 31.5 X 13 - 16.5	3	
2	097-20305	WHEEL 9.75 X 16.5	3	
3	730-03031	TUBELESS TRUCK VALVE	3	
4	097-00568	WHEEL STUD	30	
5	097-00569	WHEEL LUG NUT	30	
6	097-21610	TIRE & WHEEL ASSEMBLY (31.5 X 13- 16.5)		

## NARROW TIRE

ITEM	PART NUMBER	DESCRIPTION	QTY	MODEL Or SERIAL #
		<b>10 X 16.5 TIRES (NARROW TIRE)</b>		
1	097-20636	TIRE 10 X 16.5	3	
2	730-04073	WHEEL 8.75 X 16.5	3	
3	730-03031	TUBELESS TRUCK VALVE	3	
4	097-00568	WHEEL STUD	30	
5	097-00569	WHEEL LUG NUT	30	
6	097-21611	TIRE & WHEEL ASSEMBLY (10 X 16.5)		



# ***Bright Forklift***

**BC3-6000**





# **Bright Forklift**

**BC3-6000**

## **Section 6**

### **STABILIZER**

### **Contents**

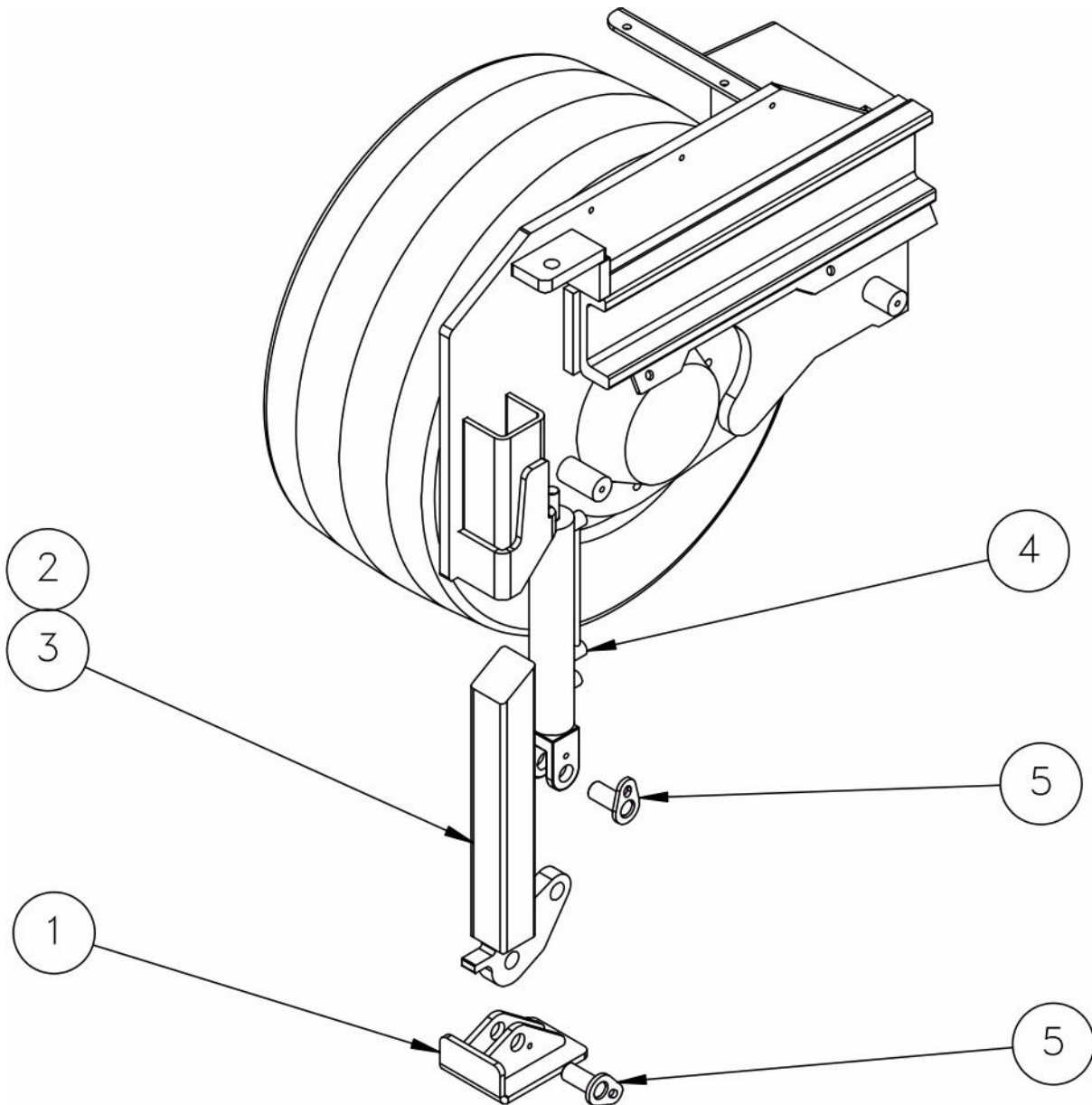
STABILIZER ASSEMBLY ..... 2



# Bright Forklift

**BC3-6000**

**STABILIZER ASSEMBLY (097-21720)**





# Bright Forklift

**BC3-6000**

## STABILIZER ASSEMBLY (097-21720)

ITEM	PART NUMBER	DESCRIPTION	QTY	MODEL Or SERIAL #
1	097-21722	STABILIZER PAD WELDMENT	2	
2	097-21721L	STABILIZER LEG WELDMENT (LHS)	1	
3	097-21721R	STABILIZER LEG WELDMENT (RHS)	1	
4	097-20178	* STABILIZER CYLINDER	2	
5	097-21514	1 X 2-1/4 LG PIN WELDMENT	4	

NOTE: \*SEE SECTION 10 COMPONENT REPLACEMENT PARTS.



# ***Bright Forklift***

**BC3-6000**



## Section 7

### Mast & Carriage Assembly

#### Contents

MAST & CARRIAGE ASSEMBLY (097-21755) -----2

**SEALED MAST ROLLERS**

SERIAL # BC3 60 001 0115 TO BC3 60 020 1115  
BC3 60 022 1215 TO BC3 60 028 1215  
BC3 60 0331 0116 TO BC3 60 035 0116  
BC3 60 038 0316 TO BC3 60 048 0316

MAST & CARRIAGE ASSEMBLY (097-21758) -----4

**GREASABLE MAST ROLLERS**

SERIAL # BC3 60 021 1115; BC3 60 027 0116; BC3 60 030 1215,  
BC3 60 036 0516, BC3 60 037 0516  
BC3 60 049 0316 & UP





# Bright Forklift

**BC3-6000**

## FREE LIFT MAST & CARRIAGE ASSEMBLY (097-21755) WITH SEALED MAST ROLLERS

ITEM	PART NUMBER	DESCRIPTION	QTY	MODEL Or SERIAL #
1	097-21741	OUTER MAST WELDMENT (FREE LIFT)	1	
2	097-21742	MID MAST WELDMENT (FREE LIFT)	1	
3	097-21743	INNER MAST WELDMENT (FREE LIFT)	1	
4	097-21744	INNER CARR. WELDMENT (FREE LIFT)	1	
5	097-21719	OUTER CARR. WELDMENT (ROTATOR)	1	
6	097-20180	TILT CYLINDER	2	
7	097-20176	SIDE SHIFT CYLINDER	1	
8	098-00156	PIN TYPE SID TAPER FORK (1-3/4 X 4-3/4 X 72)	2	
9	097-20217	HORIZONTAL CARRIAGE T-BLOCK, BOTTOM	4	
10	097-21732	HORIZONTAL CARRIAGE T-BLOCK, TOP ASSEMBLY	4	
11	097-21513	1 X 2-7/8 LONG PIN WELDMENT	6	
12	098-00357	MAST ROLLER	12	
13	097-20197	ROTATOR BUSHING	1	
14	097-20222	OUTER CARRIAGE BOTTOM HOLDER	1	
15	097-20229	ROTATOR SQUARE T- BLOCK	4	
16	097-20230.1	BOTTOM ROTATOR SHIM (1/4")	1	
17	097-20230.2	BOTTOM ROTATOR SHIM (1/8")	1	
18	097-20230.3	BOTTOM ROTATOR SHIM (1/16")	1	
19	097-20231.1	TOP ROTATOR SHIM (1/4")	1	
20	097-20231.2	TOP ROTATOR SHIM (1/8")	1	
21	097-20231.3	TOP ROTATOR SHIM (1/16")	1	
22	097-20232	OUTER CARRIAGE TOP HOLDER	1	
23	097-20233	ROTATOR RECT. T-BLOCK	1	
24	097-21731	ROTATOR PIVOT PIN WELDMENT	1	
25	097-20201	FORK PIN HOLDER	4	
26	097-20202	FORK PIN	2	
27	097-20187	SWING ARM RETAINER	2	
28	097-21515	1-1/4 X 3-5/8 LONG PIN WELDMENT	4	
29	097-21514	1 X 2-1/4 LG PIN WELDMENT	2	
30	097-20203	PUSH PLATE	4	
31	097-20204	INNER CARRIAGE SIDE T-BLOCK	4	
32	097-20442	LIFT CYLINDER ASSEMBLY (FREE LIFT)	2	
33	030-00084	CHAIN ROLLER FOR BL-844	4	
34	097-20443	FREE LIFT CYLINDER ASSEMBLY	1	
35	098-00011	CHAIN ANCHOR FOR BL-844	2	
36	097-20436	CHAIN ANCHOR SUPPORT	2	
37	097-20439	HOSE BRACKET	1	
38	097-20440	HOSE ROLLER SUPPORT	1	

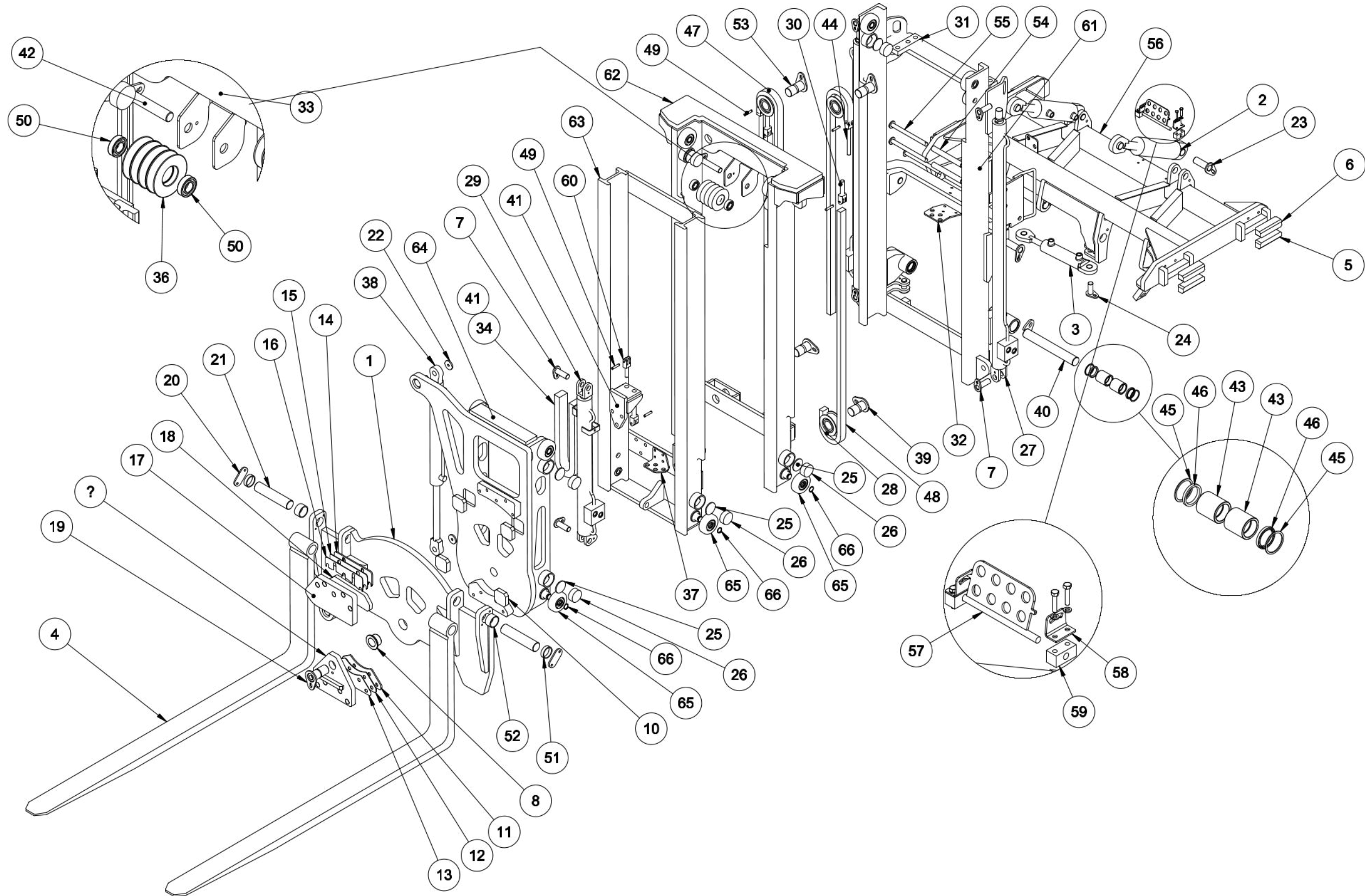
ITEM	PART NUMBER	DESCRIPTION	QTY	MODEL Or SERIAL #
39	097-21753	E-CHAIN SERIES E2 MEDIUM (INCLUDES ITEM 40)	1	
40	097-20327	MOUNTING BRACKET KIT FOR E-CHAIN	1	
41	097-20431	HOSE ROLLER 4 GR	1	
42	097-20407	HOSE BRACKET	1	
43	097-20444	ROTATOR CYLINDER (FREE LIFT)	1	
44	097-21746	CHAIN ROLLER PIN BOTTOM WELDMENT	2	
45	097-21745	MAST PIVOT PIN WELDMENT (FREE LIFT)	2	
46	097-21747	CHAIN ANCHOR BOTTOM WELDMENT	2	
47	097-21748	HOSE ROLLER PIN WELDMENT	1	
48	097-20435	MAST PIVOT BUSHING	4	
49	098-00007	CHAIN ANCHOR FOR BL-844	2	
50	097-20441	RETAINING RING FOR MAST PIVOT	4	
51	097-20446	SEAL FOR MAST PIVOT	4	
52	098-00654	LIFTING CHAIN (65" LONG) (FREE LIFT)	2	
53	097-20454	LOWERING CHAIN (63" LONG) (FREE LIFT)	2	
54	098-00022	LEAF CHAIN PIN (BL-844)	8	
55	097-20292	BALL BEARING	2	
56	097-20485	FORK SPACER 5/8" WIDE	2	
57	097-20484	FORK SPACER 1 1/4" WIDE	2	
58	097-21751	CHAIN ROLLER PIN TOP WELDMENT	2	
59	097-20625	PLASTIC ROLLER	3	
60	097-21752	PIN FOR GUARD	3	
61	097-21756	HORIZONTAL ACARRIAGE WELDMENT	1	
62	097-21757	ROTATING BULKHEAD	1	
63	097-20709	ROTATING BULKHEAD STOPPER	2	
64	097-20710	ROTATING BULKHEAD SUPPORT	2	



# Bright Forklift

BC3-6000

## FREE LIFT MAST & CARRIAGE ASSEMBLY WITH RELUBRICABLE MAST ROLLERS (097-21758)







# Bright Forklift

**BC3-6000**

## FREE LIFT MAST & CARRIAGE ASSEMBLY WITH RELUBRICALBE MAST ROLLERS (097-21758)

ITEM	PART NUMBER	DESCRIPTION	QTY	MODEL Or SERIAL #
1	097-21763	OUTER CARR. WELDM'T BC3.6000 (2016)	1	
2	097-20180	TILT CYLINDER	2	
3	097-20176	SIDESHIFT CYLINDER	1	
4	098-00156	PIN TYPE STD TAPER FORK	2	
5	097-20217	HOR. CARR. T-BLOCK BOTTOM	4	
6	097-21732	HOR. CARR. T-BLOCK TOP ASS'Y	4	
7	097-21513	1 X 2-7/8 LG PIN WELDMENT	6	
8	097-20197	ROTATOR BUSHING	1	
9	097-21764	OUTER CARRIAGE BOTTOM HOLDER	1	
10	097-20229	ROTATOR SQUARE T-BLOCK	4	
11	097-20230.1	BOTTOM ROTATOR SHIM (1/4")	1	
12	097-20230.2	BOTTOM ROTATOR SHIM (1/8")	1	
13	097-20230.3	BOTTOM ROTATOR SHIM (1/16")	1	
14	097-20231.1	TOP ROTATOR SHIM (1/4")	1	
15	097-20231.2	TOP ROTATOR SHIM (1/8")	1	
16	097-20231.3	TOP ROTATOR SHIM (1/16")	1	
17	097-20726	OUTER CARRIAGE TOP HOLDER	1	
18	097-20233	ROTATOR RECT. T-BLOCK	1	
19	097-21731	ROTATOR PIVOT PIN WELDM'T	1	
20	097-20201	FORK PIN HOLDER	2	
21	097-20202	FORK PIN	2	
22	097-20187	SWING ARM RETAINER	2	
23	097-21515	1-1/4 X 3-5/8 LG PIN WELDM'T	4	
24	097-21514	1 X 2-1/4 LG PIN WELDMENT	2	
25	097-20729	PUSH PLATE (3/16")	12	
26	097-20728	INNER CARRIAGE SIDE T-BLOCK	12	
27	097-20442	LIFT CYLINDER ASSY (FREE LIFT)	2	
28	030-00084	CHAIN ROLLER FOR BL-844	4	
29	097-20443	FREE LIFT CYLINDER ASSY	1	
30	098-00011	CHAIN ANCHOR FOR BL-844	2	
31	097-20436	CHAIN ANCHOR SUPPORT	2	
32	097-20439	HOSE BRACKET	1	
33	097-20440	HOSE ROLLER SUPPORT	1	
34	097-20326	E-CHAIN SERIES E2 MEDIUM	3FT	
35	097-20327	MOUNTING BRACKET KIT FOR E-CHAIN	1	
36	097-20431	HOSE ROLLER 4 GR	1	
37	097-20407	HOSE BRACKET	1	
38	097-20444	ROTATOR CYLINDER	1	
39	097-21746	CHAIN ROLLER PIN BOTTOM WELDM'T	2	
40	097-21745	MAST PIVOT PIN WELDM'T (FREE LIFT)	2	
41	097-21747B	CHAIN ANCHOR HOLDER (BOTTOM)	2	

ITEM	PART NUMBER	DESCRIPTION	QTY	MODEL Or SERIAL #
42	097-21748	HOSE ROLLER PIN WELDMENT	1	
43	097-20435	MAST PIVOT BUSHING	4	
44	098-00007	CHAIN ANCHOR FOR BL-844	2	
45	097-20441	RETAINING RING FOR MAST PIVOT	4	
46	097-20446	SEAL FOR MAST PIVOT	4	
47	098-00654	LIFTING CHAIN (61" LG) (MAST)	2	
48	097-20454	LOWERING CHAIN (63") FREE LIFT	2	
49	098-00022	LEAF CHAIN PIN (BL-844)	8	
50	097-20292	BALL BEARING	2	
51	097-20485	FORK SPACER 5/8 WIDE	2	
52	097-20484	FORK SPACER 1-1/4 WIDE	2	
53	097-21751	CHAIN ROLLER PIN TOP WELDM'T	2	
54	097-20625	PLASTIC ROLLER	3	
55	097-21752	PIN FOR HOSE GUARD WELDMT	3	
56	097-21756	HORIZONTAL CARRIAGE WELDM'T	1	
57	097-21757	ROTATING BULKHEAD	1	
58	097-20709	ROTATING BULKHEAD STOPPER	2	
59	097-20710	ROTATING BULKHEAD SUPPORT	2	
60	098-00006	CHAIN ANCHOR	4	
61	097-21759	OUTER MAST (RELUBRICABLE ROLLERS)	1	
62	097-21760	MID MAST (RELUBRICABLE ROLLERS)	1	
63	097-21761	INNER MAST (RELUBRICABLE ROLLERS)	1	
64	097-21762	INNER CARR. (RELUBRICABLE ROLLERS)	1	
65	097-20716	RELUBRICABLE MAST ROLLER	12	
66	210-00873	EXTERNAL CIRCLIP DIN 471 FOR 25mm SHAFT	12	



# **Bright Forklift**

**BC3-6000**



# **Bright Forklift**

**BC3-6000**

## **Section 8**

### **HOODS, PANEL & ACCESSORIES**

#### **Contents**

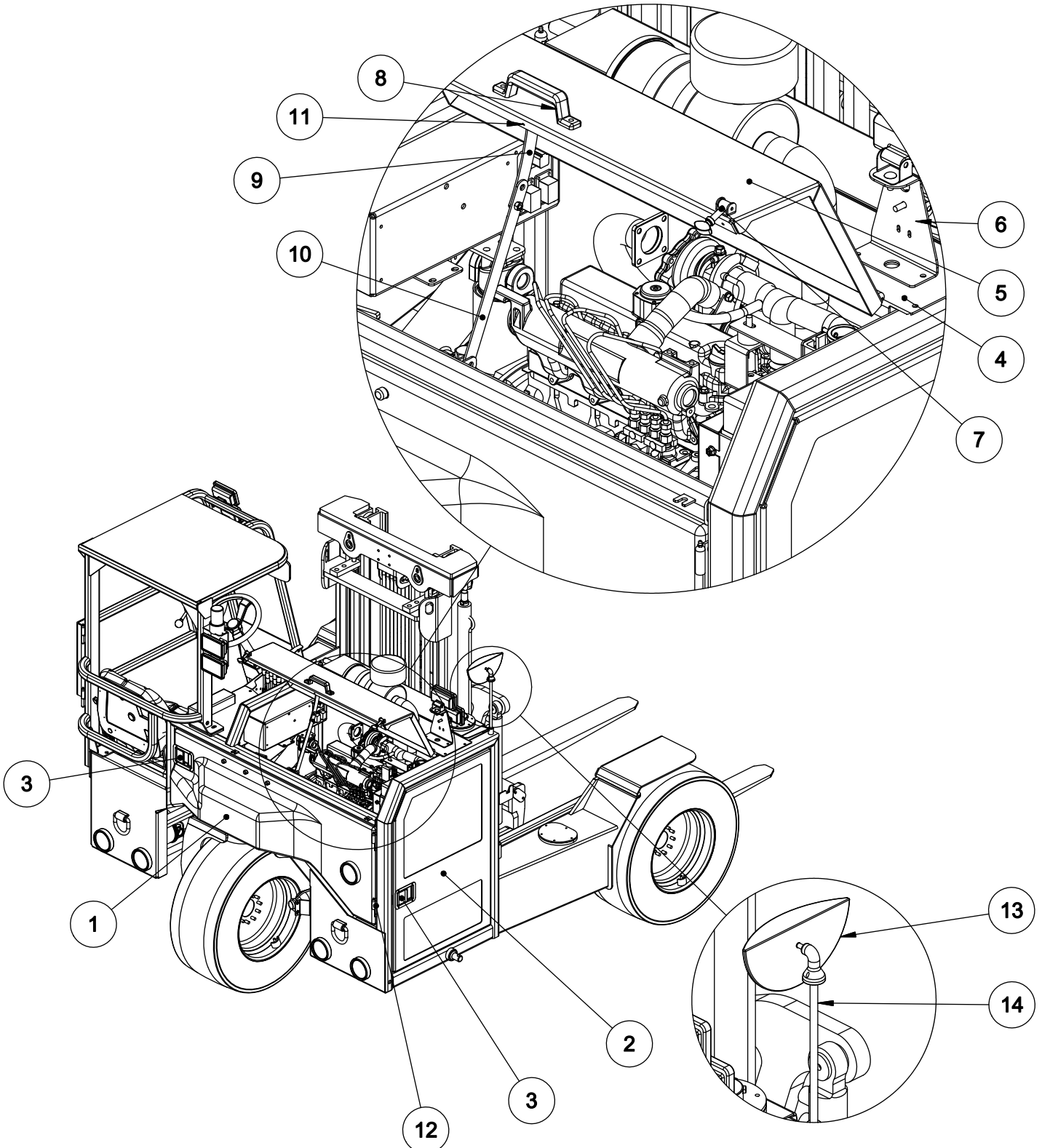
HOOD ASSEMBLY AND SIDE MIRROR .....	2
FRAME COVERS .....	4
SECURING CHAINS .....	4



# Bright Forklift

BC3-6000

## HOOD ASSEMBLY AND SIDE MIRROR (097-21834)





# Bright Forklift

**BC3-6000**

## HOOD ASSEMBLY AND SIDE MIRROR (097-21834)

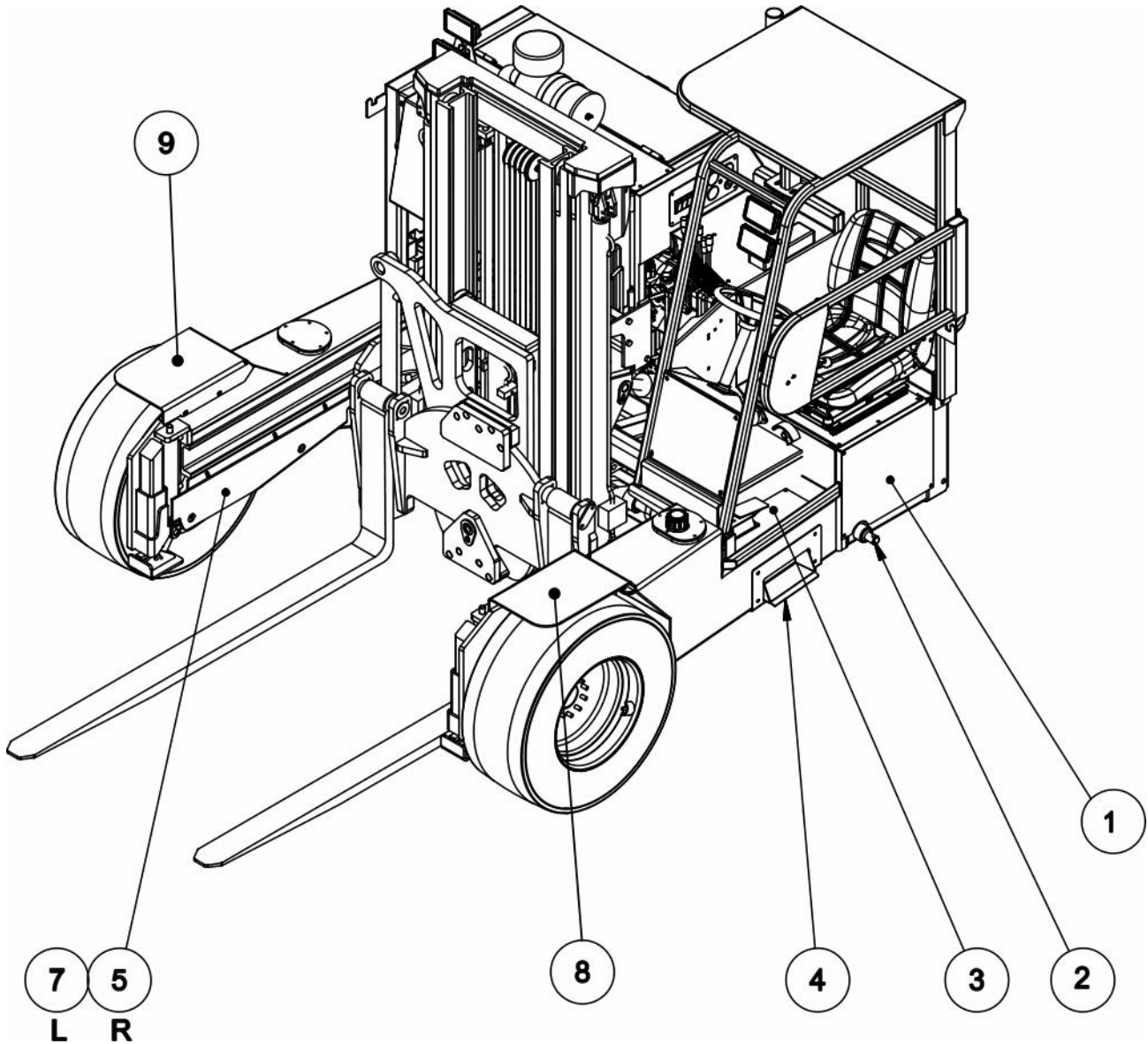
ITEM	PART NUMBER	DESCRIPTION	QTY	MODEL Or SERIAL #
1	097-20376	ENGINE ACCESS DOOR	1	
2	097-21831	RADIATOR & COOLER ACCESS DOOR (INCLUDES ITEM 3)	1	
3	097-20488	PADDLE LATCH	2	
4	097-20682A	FIXED HOOD WITH HINGES	1	
5	097-20683A	HINGED HOOD WITH HINGES	1	
6	097-20684	LIGHT BRACKET	1	
7	097-20494	MINI HOLD DOWN	2	
8	098-00161	GRAB HANDLE	1	
9	097-20707	HOOD HOLDER SHORT	1	
10	097-21833	HOOD HOLDER (LONG)	1	
11	097-20489	HOOD BUMPER	7	
12	097-21814	HINGE ASSEMBLY	2	
13	097-20715	PANORAMIC MIRROR	1	
14	097-20733	MIRROR SUPPORT	1	



# Bright Forklift

**BC3-6000**

**ACCESS COVERS (097-21820)**





# Bright Forklift

**BC3-6000**

## ACCESS COVERS (097-21820)

ITEM	PART NUMBER	DESCRIPTION	QTY	MODEL Or SERIAL #
1	097-20957	SIDE ACCESS COVER	1	
2	097-21820	SECURING CHAIN KIT	2	
3	097-20183	FNR MOUNTING PLATE	1	
4	097-21811	STEP WELDMENT	1	
5	097-21812	RH HOSE COVER	1	
7	097-21813	LH HOSE COVER	1	
8	097-20303L	LHS FENDER	1	
9	097-20303R	RHS FENDER	1	



# ***Bright Forklift***

**BC3-6000**





# **Bright Forklift**

**BC3-6000**

## **Section 9**

### **DECALS**

### **Contents**

DECAL KIT----- 2 - 4





# Bright Forklift

**BC3-6000**

## DECAL KIT (097-21901)

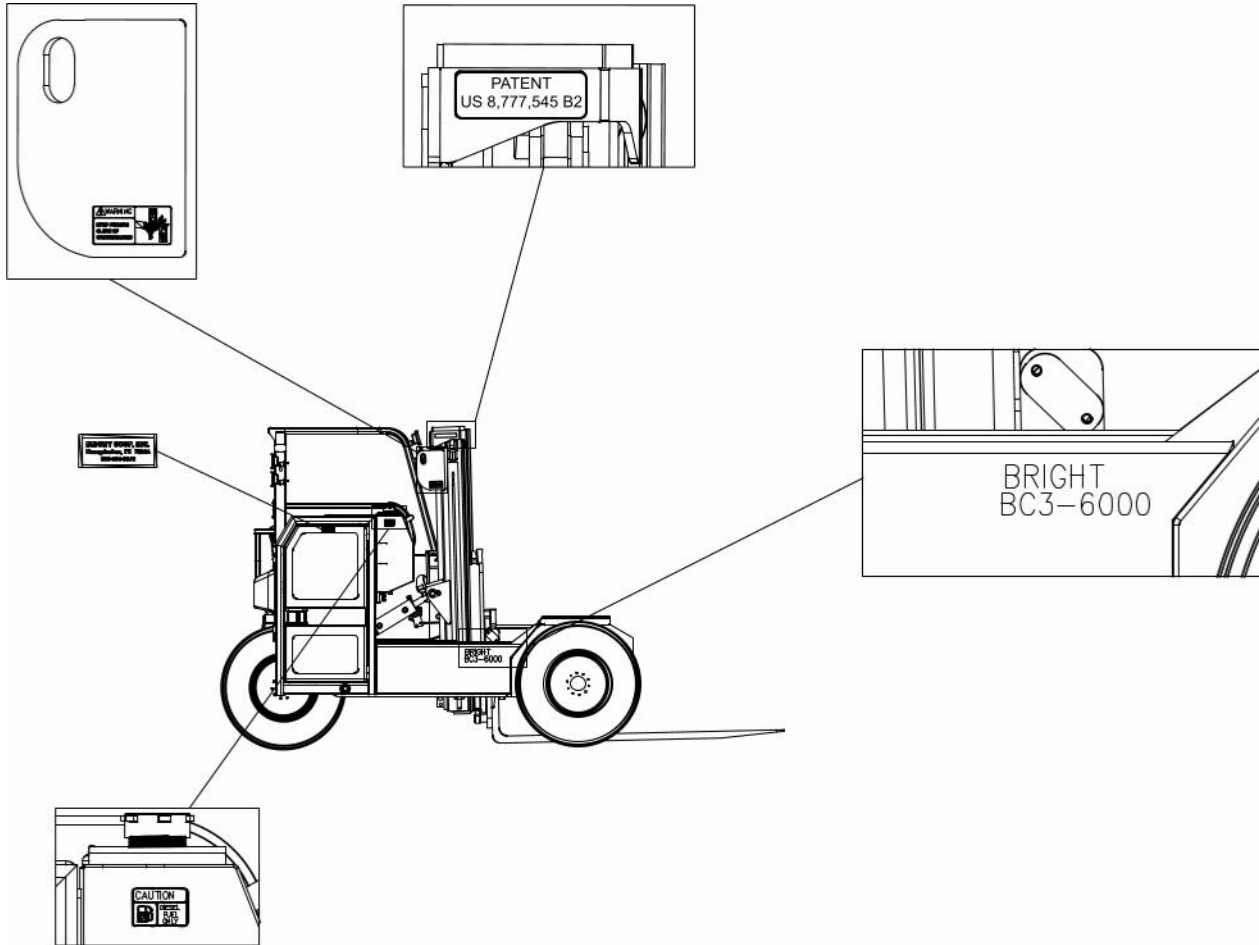
ITEM	PART NUMBER	DESCRIPTION	QTY	MODEL Or SERIAL #
	097-20459	DECAL IGNITION SWITCH	1	
	097-20460	DECAL SWITCH TOP	1	
	097-20461	DECAL SWITCH BOTTOM	1	
	097-20462	DECAL ENGINE OIL LEVEL	1	
	097-20463	DECAL DIESEL FUEL ONLY	1	
	097-20464	DECAL HYDRAULIC OIL ONLY	1	
	097-20465	DECAL APPLY P. BRAKE	1	
	097-20466	DECAL CONTROL VALVE LEVER	1	
	097-20467	DECAL MAIN SWITCH	1	
	097-20468	DECAL HYDRAULIC OIL LEVEL	1	
	097-20469	DECAL WARNING SEAT BELT	1	
	097-20470	DECAL WARNING OPERATION	1	
	097-20471	DECAL MADE WITH PRIDE IN TEXAS, USA	1	
	097-20681	DECAL BRIGHT BC3-6000	2	
	097-20473	DECAL ALT	1	
	097-20666	DECAL PATENT 8,777,545 B2	2	
	360-00030	DECAL BRIGHT COOP, INC.	2	
	097-20495	DECAL DIESEL FUEL LEVEL	1	
	360-00105	DECAL WARNING KEEP FINGERS CLEAR OF CROSSBRACING	2	
	360-00128	DECAL WARNING CUT/CRUSH HAZARD KEEP HANDS CLEAR OF FAN AND BELTS	1	



# Bright Forklift

**BC3-6000**

**DECAL KIT (097-21901)**





# Bright Forklift

**BC3-6000**

**DECAL KIT (097-21901)**

ITEM	PART NUMBER	DESCRIPTION	QTY	MODEL Or SERIAL #
	098-00416	DECAL PINCH POINT	2	
	097-20666	DECAL PATENT US 8,777,545 B2	2	
	097-20681	DECAL BRIGHT BC3-6000	2	
	097-20463	DECAL DIESEL FUEL ONLY	1	
	360-00030	DECAL BRIGHT COOP, INC.	2	



# ***Bright Forklift***

**BC3-6000**



# Bright Forklift

BC3-6000

## Section 10

### Component Parts

### Contents

#### Air Cleaner Assembly

AIR CLEANER -----2

#### Cab Door

DOOR LATCH SYSTEM ASSEMBLY -----4

#### Cylinders

LIFT ----- 6

FREE LIFT ----- 8

TILT -----10

SIDESHIFT ----- 12

ROTATOR ----- 14

HORIZONTAL CARRIAGE-----16

STABILIZER -----18

STEERING-----20

#### Control Valve

CONTROL VALVE PARTS -----22

#### Hydraulic Blocks

TRACTION BLOCK ----- 24

PARK BRAKE, INLET & RETURN MANIFOLD ----- 26

#### Fuel & Throttle Assemblies

FUEL FILTER ASSEMBLY -----28

FUEL PEDAL ASSEMBLY -----30

THROTTLE BELL CRANKS ASSEMBLY ----- 32

FLUID CAPACITIES -----34

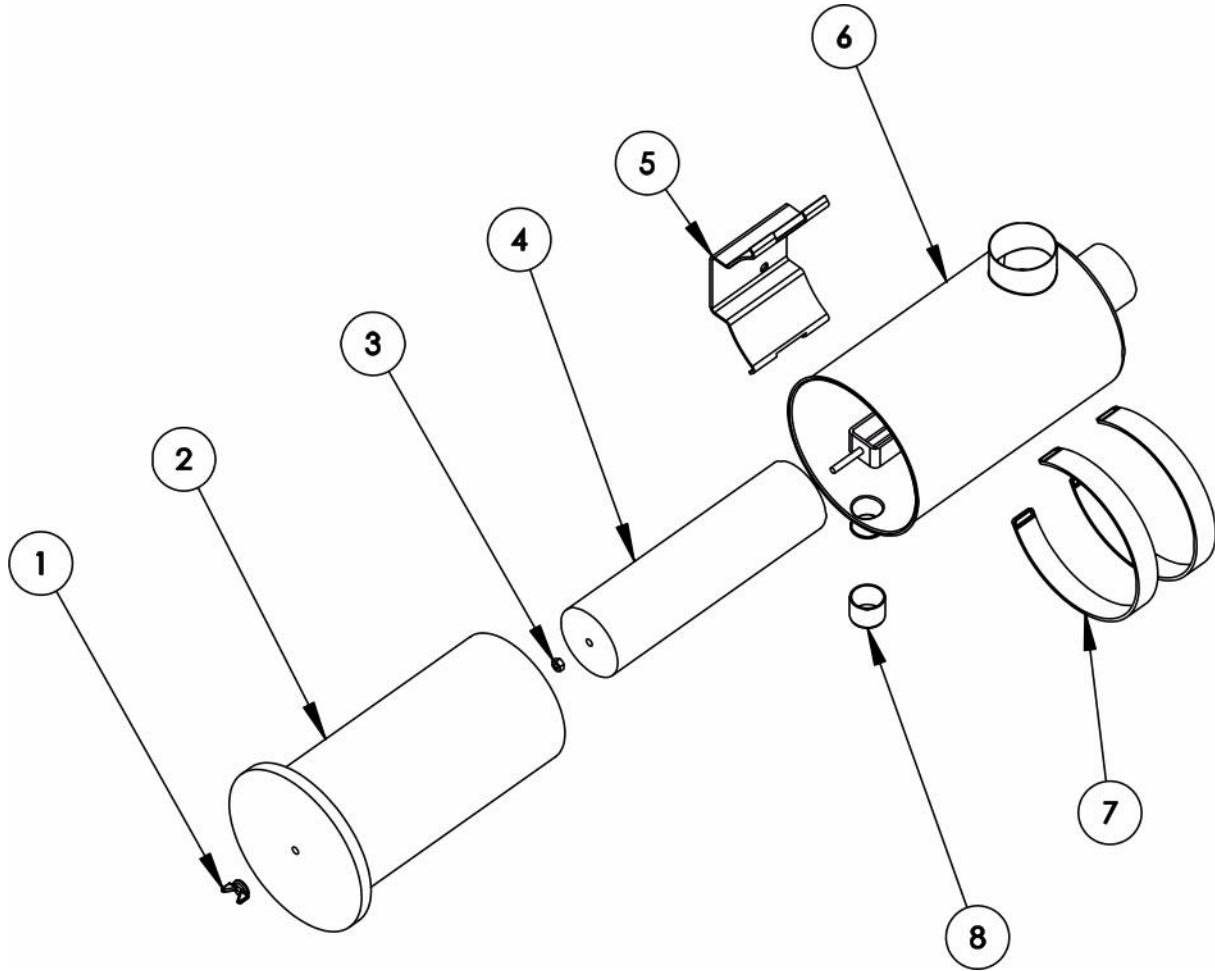
FILTERS PART NUMBERS----- 35



# Bright Forklift

**BC3-6000**

## AIR CLEANER ASSEMBLY (097-20902)







# Bright Forklift

**BC3-6000**

## AIR CLEANER ASSEMBLY (097-20902)

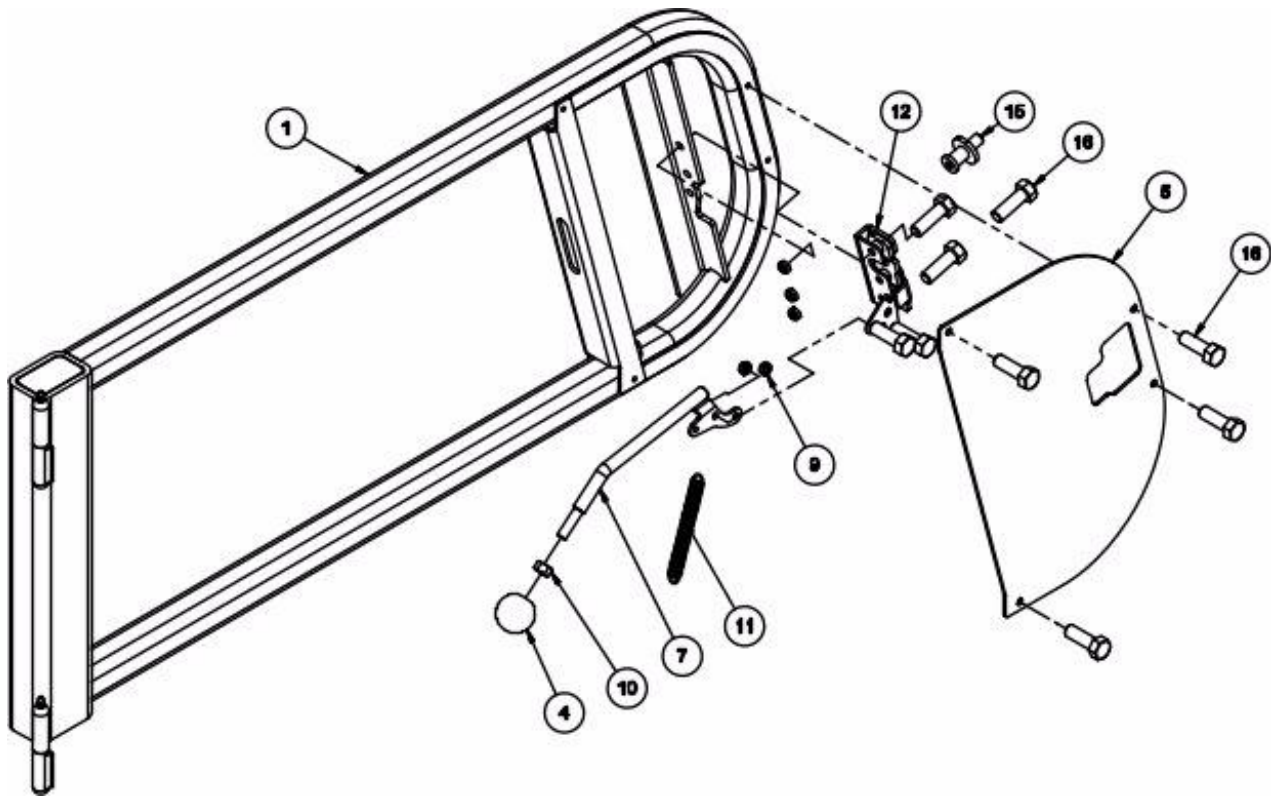
ITEM	PART NUMBER	DESCRIPTION	QTY	MODEL Or SERIAL #
1	097-20904	WING NUT FOR PRIMARY AIR CLEANER	1	
2	097-00535	OUTER FILTER	1	
3	097-20905	NUT FOR SAFETY AIR CLEANER	1	
4	097-00536	INNER FILTER	1	
5	097-20906	AIR CLEANER SUPPORT	1	
6	097-20907	AIR CLEANER MAIN BODY	1	
7	097-20908	HOLDING STRAP FOR AIR CLEANER	2	
8	097-20909	VACUATOR VALVE	1	



# Bright Forklift

BC3-6000

CAB DOOR WITH ROTARY LATCH ASSEMBLY (097-21220A)





# Bright Forklift

**BC3-6000**

## CAB DOOR WITH ROTARY LATCH ASSEMBLY (097-21220A)

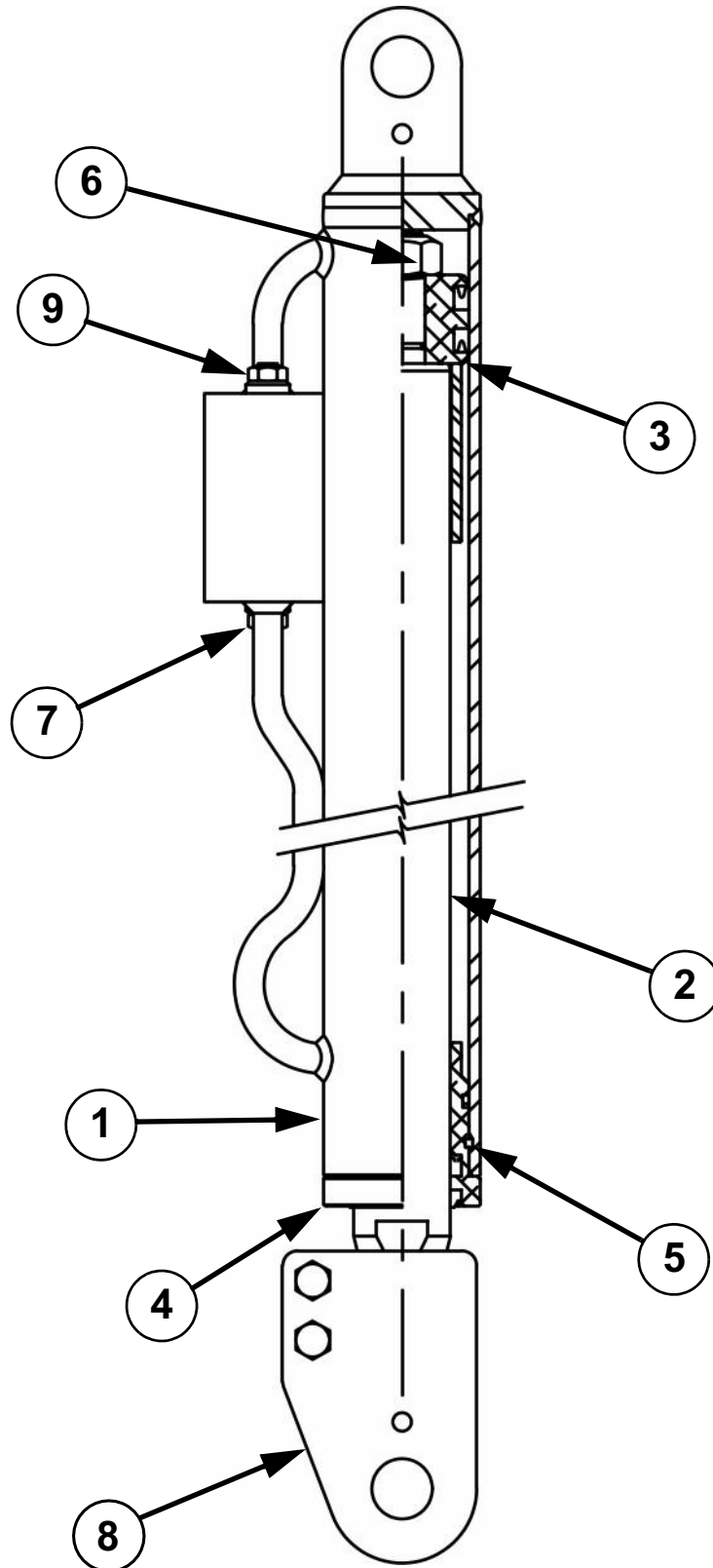
ITEM	PART NUMBER	DESCRIPTION	QTY	MODEL Or SERIAL #
1	097-21221A	CAB DOOR WITH ROTARY LATCH WEMDMENT	1	
4	097-20319	DELUXE BALL KNOB WITH THREADS	1	
5	097-20943	INNER COVER	1	
7	097-21230	DOOR LATCH HANDLE WELDMENT	1	
9	REF	1/4-20 NYLOC HEX NUT	5	
10	210-00173	3/8-16 HEX NUT	1	
11	KD-B1074	THROTTLE SPRING	1	
12	097-20659	ROTARY LATCH	1	
15	097-20660	STRIKER	1	
16	REF	BOLTS	9	



# Bright Forklift

BC3-6000

MAST LIFT CYLINDER (097-20442)





# Bright Forklift

**BC3-6000**

## MAST LIFT CYLINDER (097-20442)

ITEM	PART NUMBER	DESCRIPTION	QTY	MODEL Or SERIAL #
	097-20442	LIFT CYLINDER		
1	097-20442.1	TUBE ASSEMBLY	1	
2	097-20442.2	ROD ASSEMBLY	1	
3	097-20442.3	PISTON	1	
4	097-20442.4	HEAD	1	
5	097-20442.5	RETAINER	1	
6	097-20176.5	LOCK NUT 3/4-16	1	
7	097-20442.7	COUNTER BALANCE VALVE (3,000 PSI)	1	
8	097-20442.8	ROD CLEVIS	1	
9	097-20442.9	COUNTER BALANCE VALVE (4,000 PSI)	1	
	097-20442.10	*SEAL KIT	1	

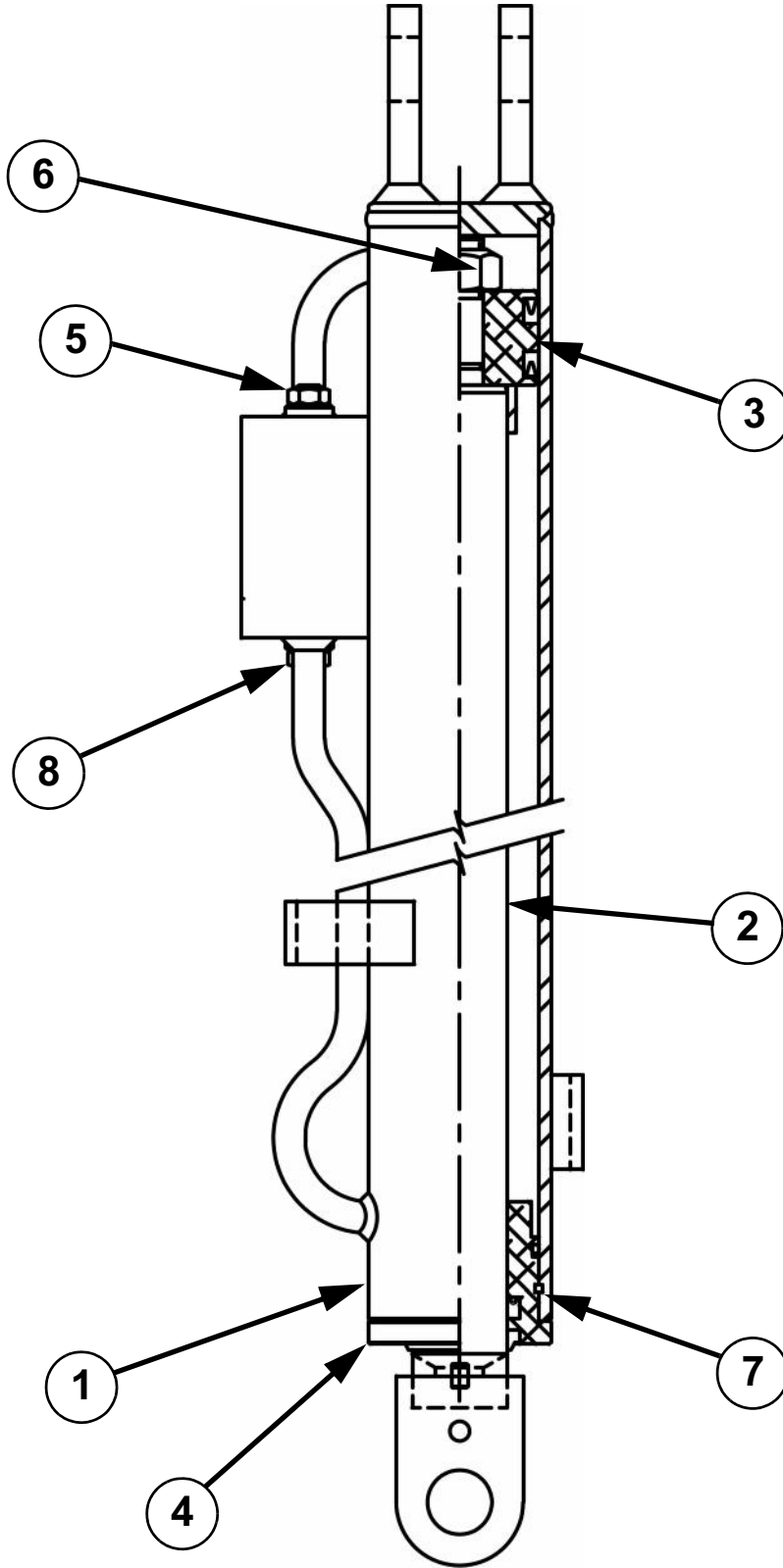
NOTE: \* NOT SHOWN.



# Bright Forklift

BC3-6000

FREELIFT CYLINDER (097-20443)





# Bright Forklift

**BC3-6000**

## FREELIFT CYLINDER (097-20443)

ITEM	PART NUMBER	DESCRIPTION	QTY	MODEL Or SERIAL #
	097-20443	FREE LIFT CYLINDER	1	
1	097-20443.1	TUBE ASSEMBLY	1	
2	097-20443.2	ROD ASSEMBLY	1	
3	097-20443.3	PISTON	1	
4	097-20443.4	HEAD	1	
5	097-20442.7	COUNTER BALANCE VALVE (3,000 PSI)	1	
6	097-20443.6	LOCK NUT 7/8-14	1	
7	097-20443.7	RETAINING RING	1	
8	097-20442.9	COUNTER BALANCE VALVE (4,000 PSI)	1	
	097-20443.9	*SEAL KIT	1	

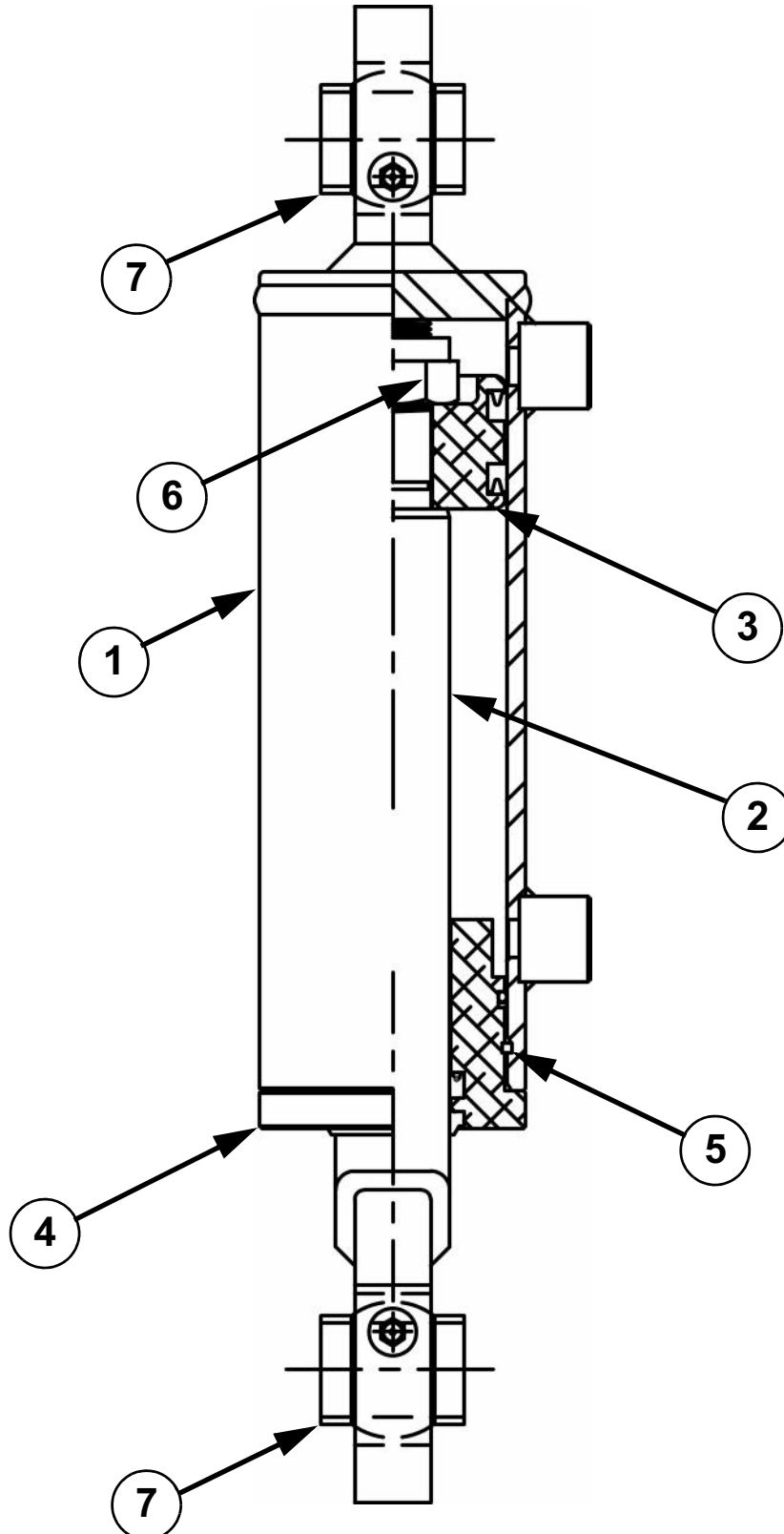
NOTE: \* NOT SHOWN.



# Bright Forklift

BC3-6000

TILT CYLINDER (097-20180)







# Bright Forklift

**BC3-6000**

## TILT CYLINDER (097-20180)

ITEM	PART NUMBER	DESCRIPTION	QTY	MODEL Or SERIAL #
	097-20180	TILT CYLINDER	1	
1	097-20180.1	TUBE ASSEMBLY	1	
2	097-20180.2	ROD ASSEMBLY	1	
3	097-20180.3	PISTON	1	
4	097-20180.4	HEAD	1	
5	097-20180.5	RETAINING RING	1	
6	097-20180.6	LOCK NUT 1"-14	1	
7	097-20180.7	SPHERICAL BEARING	2	
	097-20180.8	*SEAL KIT	1	

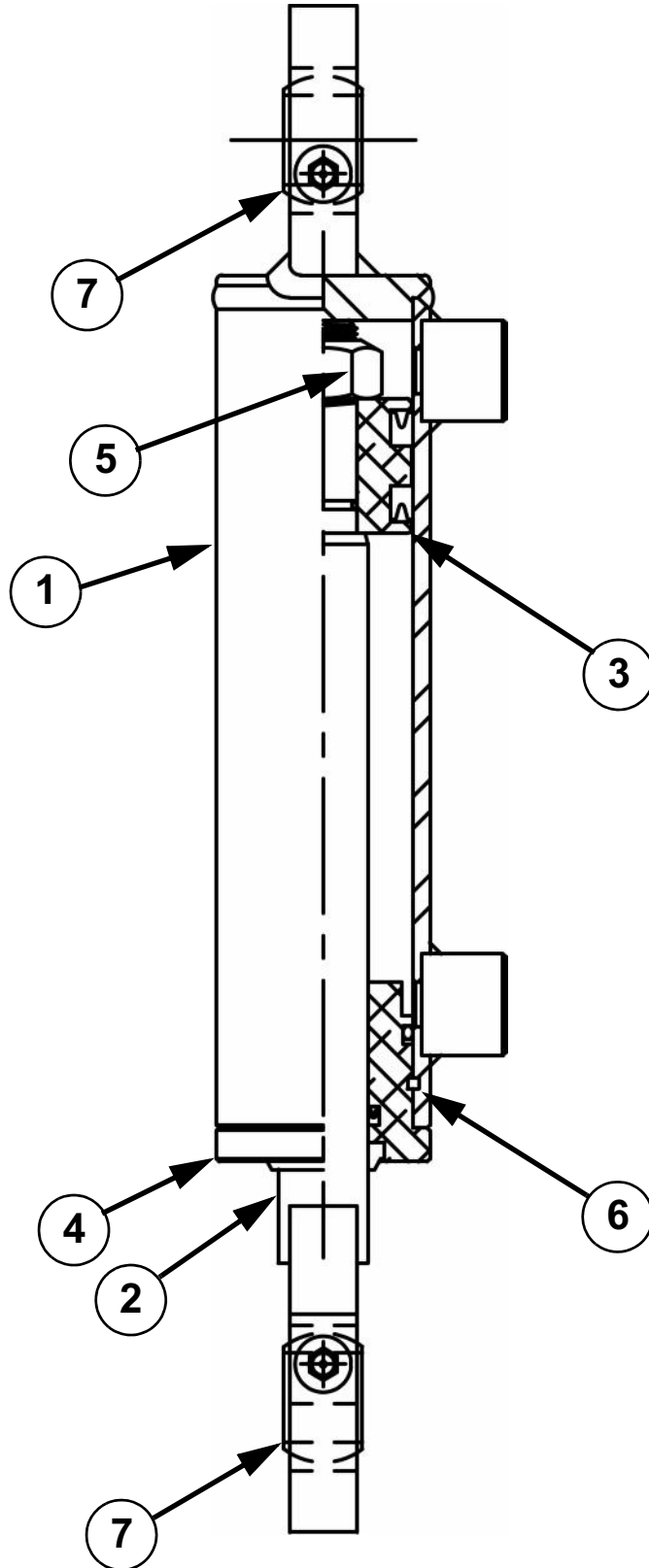
NOTE: NOT SHOWN.



# Bright Forklift

BC3-6000

SIDESHIFT CYLINDER (097-20176)





# Bright Forklift

**BC3-6000**

## SIDESHIFT CYLINDER (097-20176)

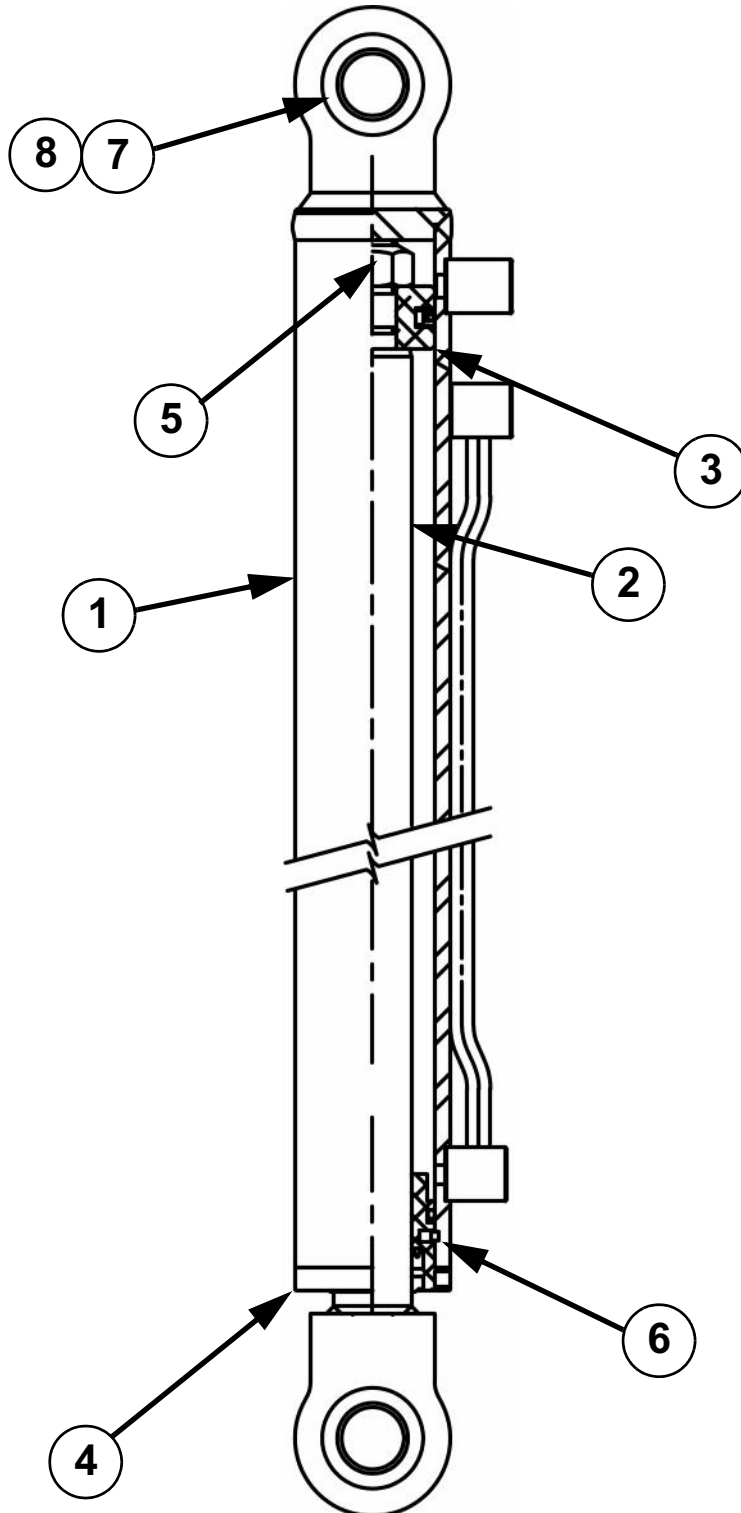
ITEM	PART NUMBER	DESCRIPTION	QTY	MODEL Or SERIAL #
	097-20176	SIDESHIFT CYLINDER		
1	097-20176.1	TUBE ASSEMBLY	1	
2	097-20176.2	ROD ASSEMBLY	1	
3	097-20176.3	PISTON	1	
4	097-20176.4	HEAD	1	
5	097-20176.5	LOCK NUT, 3/4-16	1	
6	097-20176.6	RETAINING RING	1	
7	097-20176.7	SPHERICAL BEARING	2	
	097-20176.8	SEAL KIT	1	



# Bright Forklift

BC3-6000

ROTATOR CYLINDER (097-20444)





# Bright Forklift

**BC3-6000**

## ROTATOR CYLINDER (097-20444)

ITEM	PART NUMBER	DESCRIPTION	QTY	MODEL Or SERIAL #
	0097-20444	ROTATOR CYLINDER	1	
1	097-20444.1	TUBE ASSEMBLY	1	
2	097-20444.2	ROD ASSEMBLY	1	
3	097-20444.3	PISTON	1	
4	097-20444.4	HEAD	1	
5	097-20176.5	LOCKNUT 3/4 - 16	1	
6	097-20176.6	RETAINING RING	1	
7	097-20444.7	SPHERICAL BEARING	2	
8	097-20444.8	RETAINING RING	2	
	097-20444.10	*SEAL KIT	1	

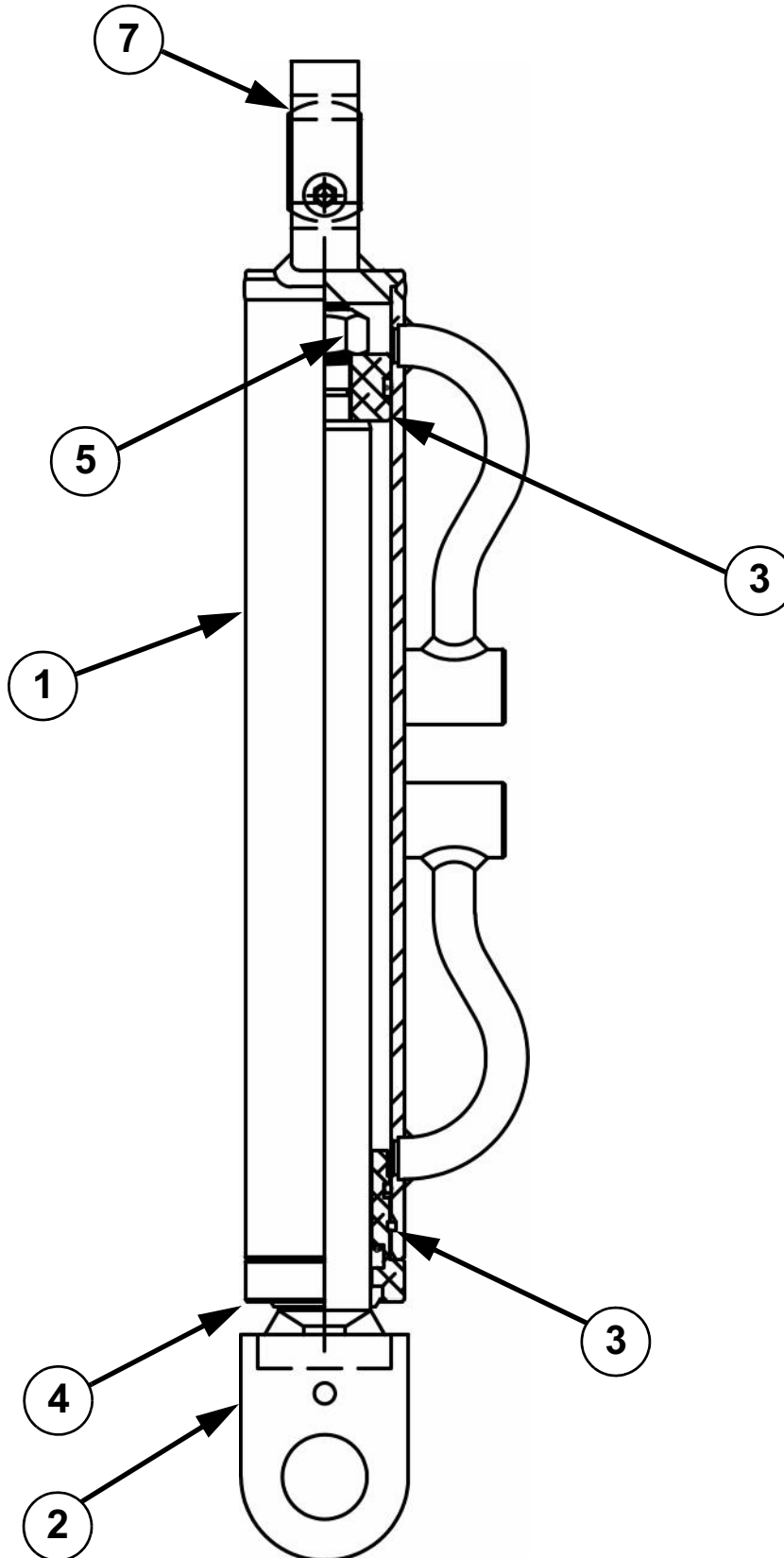
NOTE: \* NOT SHOWN.



# Bright Forklift

BC3-6000

## HORIZONTAL CARRIAGE CYLINDER (097-20177 L & R)





# Bright Forklift

**BC3-6000**

## HORIZONTAL CARRIAGE CYLINDER (097-20177 L & R)

ITEM	PART NUMBER	DESCRIPTION	QTY	MODEL Or SERIAL #
	097-20177R	HORIZONTAL CARRIAGE CYLINDER (RIGHT)	1	
1	097-20177.0	TUBE ASSEMBLY (RIGHT CYLINDER)	1	
2	097-20177.2	ROD ASSEMBLY	1	
3	097-20177.3	PISTON	1	
4	097-20177.4	HEAD	1	
5	097-20176.5	LOCK NUT 3/4-16	1	
6	097-20176.6	RETAINING RING	1	
7	097-20177.7	SPHERICAL BEARING	1	
	097-20177.8	*SEAL KIT	1	
	097-20177L	HORIZONTAL CARRIAGE CYLINDER (LEFT)	1	
1	097-20177.1	TUBE ASSEMBLY (LEFT CYLINDER)	1	
2	097-20177.2	ROD ASSEMBLY	1	
3	097-20177.3	PISTON	1	
4	097-20177.4	HEAD	1	
5	097-20176.5	LOCK NUT 3/4-16	1	
6	097-20176.6	RETAINING RING	1	
7	097-20177.7	SPHERICAL BEARING	1	
	097-20177.8	*SEAL KIT	1	

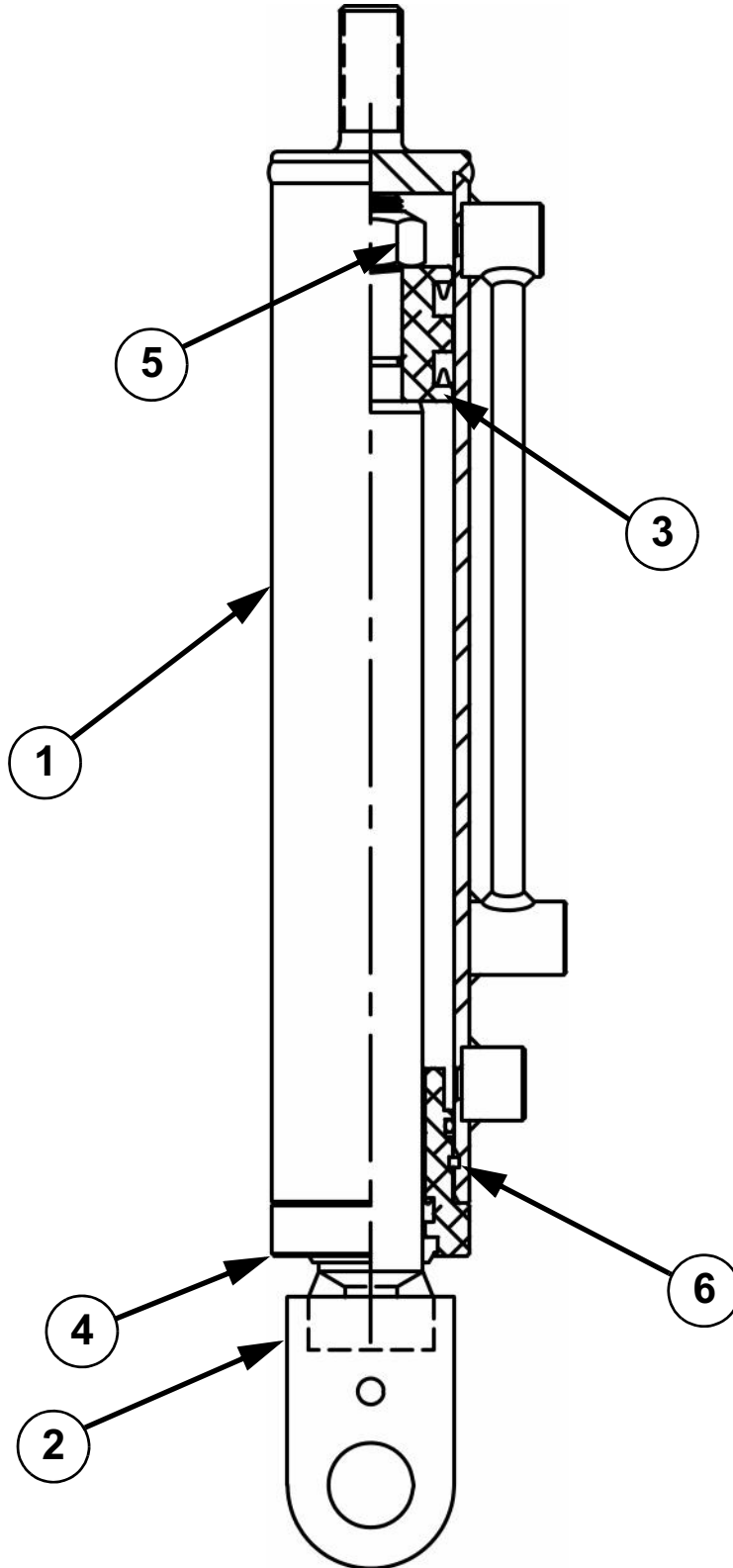
NOTE: \* NOT SHOWN.



# Bright Forklift

BC3-6000

STABILIZER CYLINDER (097-20178)







# Bright Forklift

**BC3-6000**

## STABILIZER CYLINDER (097-20178)

ITEM	PART NUMBER	DESCRIPTION	QTY	MODEL Or SERIAL #
	097-20178	STABILIZER CYLINDER		
1	097-20178.1	TUBE ASSEMBLY	1	
2	097-20178.2	ROD ASSEMBLY	1	
3	097-20178.3	PISTON	1	
4	097-20178.4	HEAD	1	
5	097-20176.5	LOCK NUT 3/4-16	1	
6	097-20176.6	RETAINING RING	1	
	097-20178.7	*SEAL KIT	1	

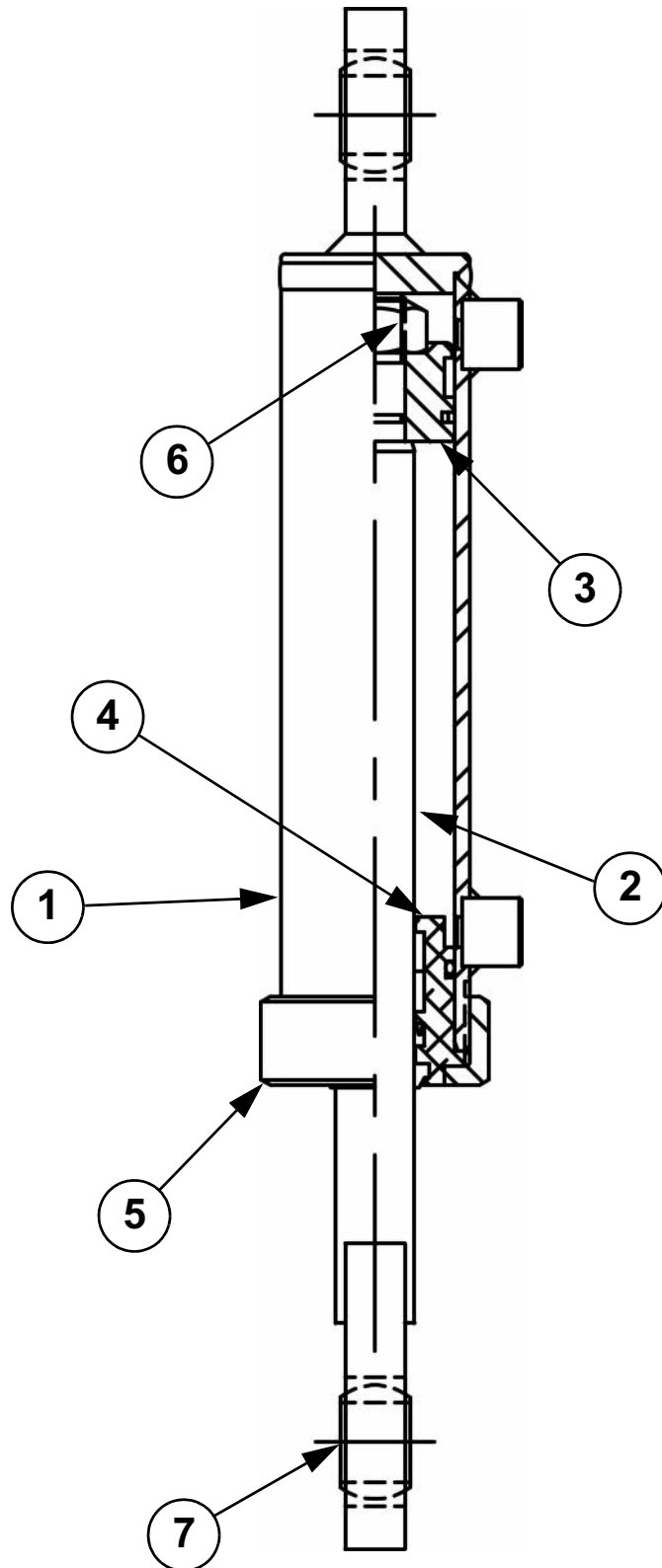
\* NOTE: NOT SHOWN.



# Bright Forklift

BC3-6000

STEERING CYLINDER (097-20179)





# Bright Forklift

**BC3-6000**

## STEERING CYLINDER (097-20179)

ITEM	PART NUMBER	DESCRIPTION	QTY	MODEL Or SERIAL #
	097-20179	STEERING CYLINDER		
1	097-20179.1	TUBE ASSEMBLY	1	
2	097-20179.2	ROD ASSEMBLY	1	
3	097-20179.3	PISTON	1	
4	097-20179.4	HEAD	1	
5	097-20179.5	HEAD CAP	1	
6	097-20176.5	LOCK NUT 3/4-16	1	
7	097-20176.7	SPHERICAL BEARING	2	
	097-20179.8	*SEAL KIT	1	

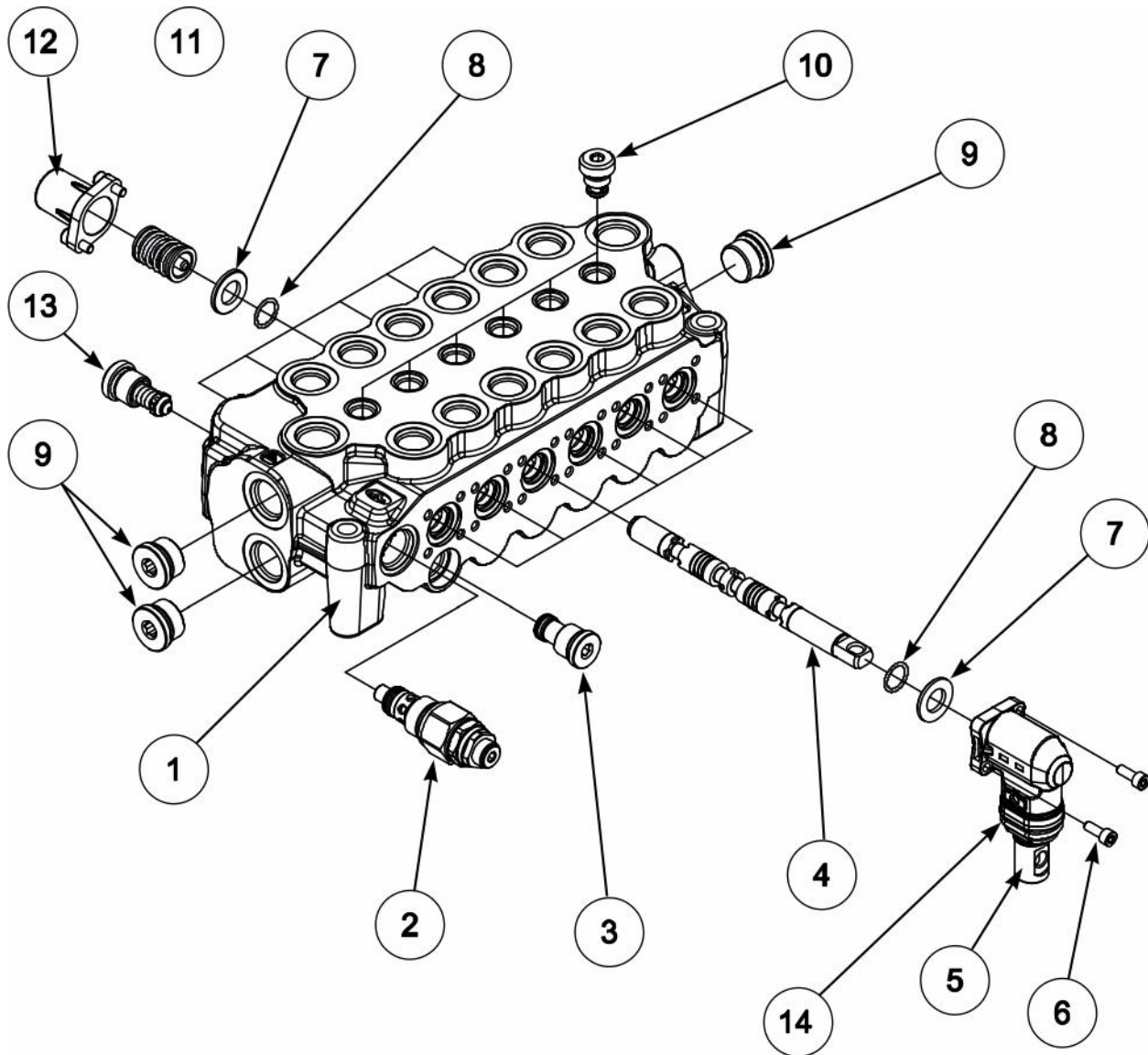
NOTE: \*NOT SHOWN.



# Bright Forklift

**BC3-6000**

**SPOOL VALVE PARTS (097-20295)**





# Bright Forklift

**BC3-6000**

## SPOOL VALVE PARTS (097-20295)

ITEM	PART NUMBER	DESCRIPTION	QTY	MODEL Or SERIAL #
1	097-20912	SPOOL VALVE MAIN BODY * NOT SOLD SEPARATELY	1	
2	097-20913	MAIN RELIEF VALVE (-X19651175)	1	
3	097-20914	PORT RELIEF VALVE PLUG (XTAP221340)	1	
4	097-20915	SPOOL	6	
5	097-20916	LEVER BOX (INCLUDES ITEMS 6 & 14) (5LEV107000)	6	
6	N/A	SOCKET HEAD CAP SCREW (M5 X 14)	12	
7	097-20917	WASHER (3ANE126020)	12	
8	097-20918	O-RING (4GUA114020)	12	
9	N/A	PLUG (SAE-10)	3	
10	097-20919	CHECK VALVE	6	
11	097-20920	RETURN SPRING (XV08107000)	6	
12	097-20921	END CAP KIT (INCLUDES ITEM 11) (5V08107)	6	
13	097-20922	PORT RELIEF VALVE (5KIT326140)	1	
14	097-20935	BOOT		

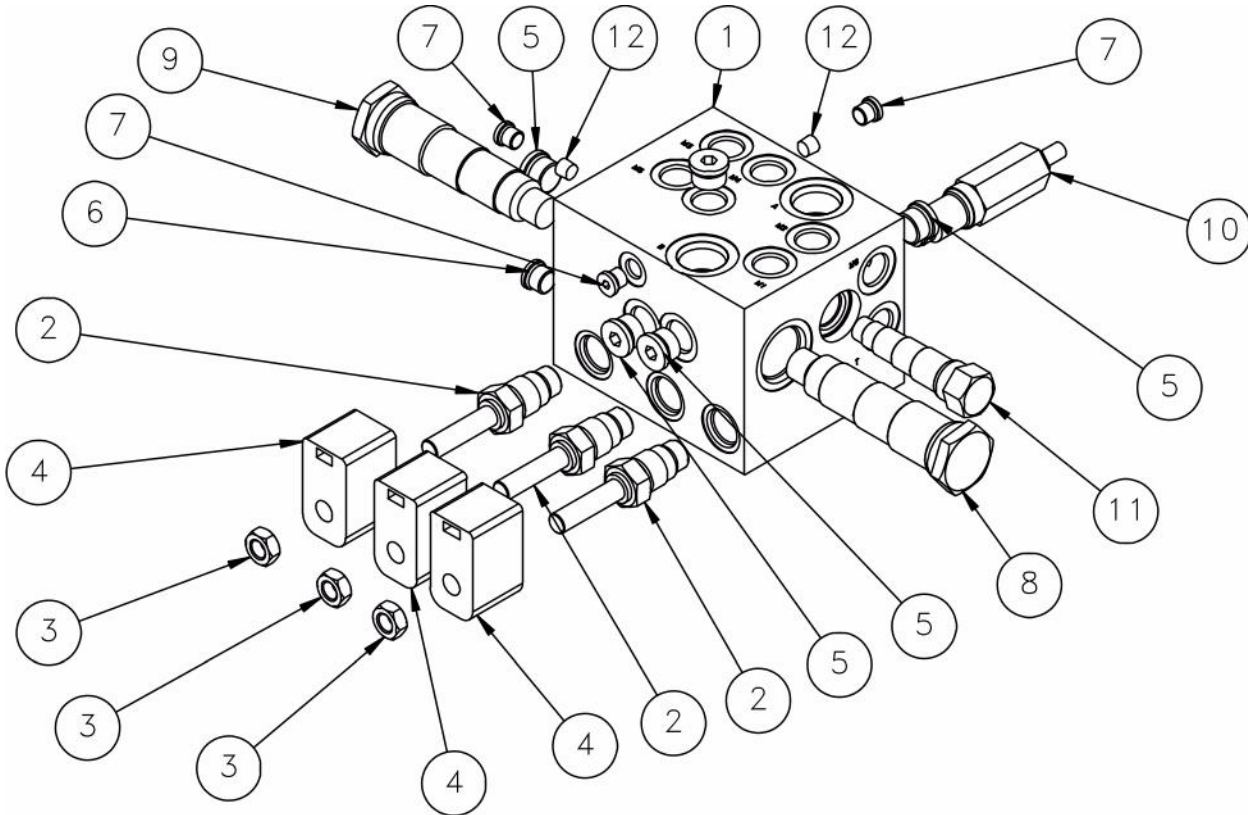
NOTE: \*NOT SOLD SEPARATELY.



# Bright Forklift

**BC3-6000**

**TRACTION BLOCK (097-21516)**





# Bright Forklift

**BC3-6000**

## TRACTION BLOCK (097-21516)

ITEM	PART NUMBER	DESCRIPTION	QTY	MODEL Or SERIAL #
	097-20330	STEEL MANIFOLD BLOCK (TRACTION)	1	
2	097-00561	2 - WAY SOLENOID VALVE	3	
3		INCLUDED WITH ITEM 2 (HEX JAM NUT NC)	3	
4	097-20331	COIL FOR CARTRIDGE VALVE	3	
5	REF.	SAE# 8 PLUG	5	
6	REF.	SAE# 6 PLUG	1	
7	REF.	SAE# 4 PLUG	3	
8	097-20333	FLOW DIVIDER	1	
9	097-20334	FLOW DIVIDER	1	
10	097-20335	RELIEF VALVE	1	
11	097-20336	SHUTTLE VALVE	1	
12	097-20337	ORIFICE PLUG M8 W/ 0.047 DIA.	2	
13	097-20958	*PIGTAIL TRACTION SOLENOID		

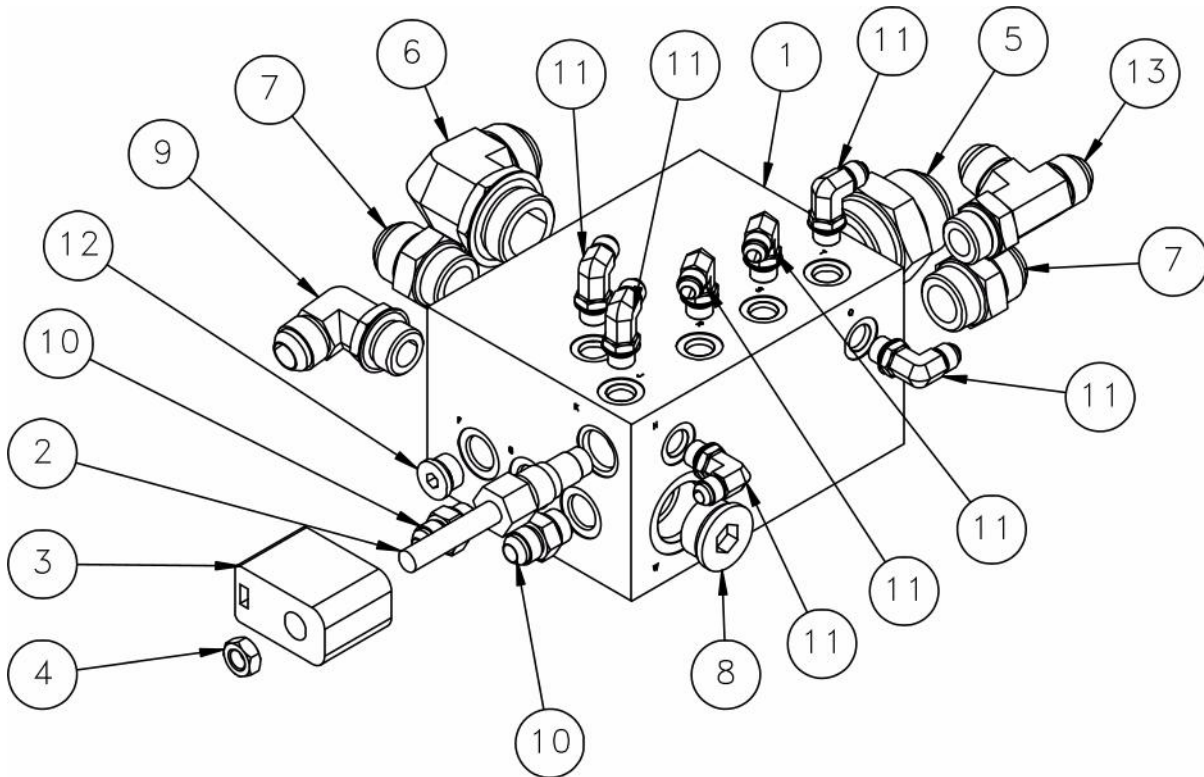
NOTE: \* NOT SHOWN.



# Bright Forklift

**BC3-6000**

**PARK BRAKE, INLET & RETURN MANIFOLD (097-21517)**







# Bright Forklift

**BC3-6000**

## PARK BRAKE, INLET & RETURN MANIFOLD (097-21517)

ITEM	PART NUMBER	DESCRIPTION	QTY	MODEL Or SERIAL #
1	097-20297	PARK BRAKE, INLET & RETURN MANIFOLD	1	
2	097-20328	CARTRIDGE VALVE	1	
3	097-20329	COIL FOR CARTRIDGE VALVE	1	
4		INCLUDED WITH ITEM 2 (HEX JAM NUT)	1	
5	330-00041	FITTING	1	
6	330-00112	FITTING	1	
7	330-00237	FITTING	2	
8	330-00670	PLUG	1	
9	330-00108	FITTING	1	
10	330-00043	FITTING	3	
11	330-00043	FITTING	7	
12	330-00676	FITTING	1	
13	330-00677	FITTING	1	
14	097-20924	*PARKING BRAKE PIGTAIL		

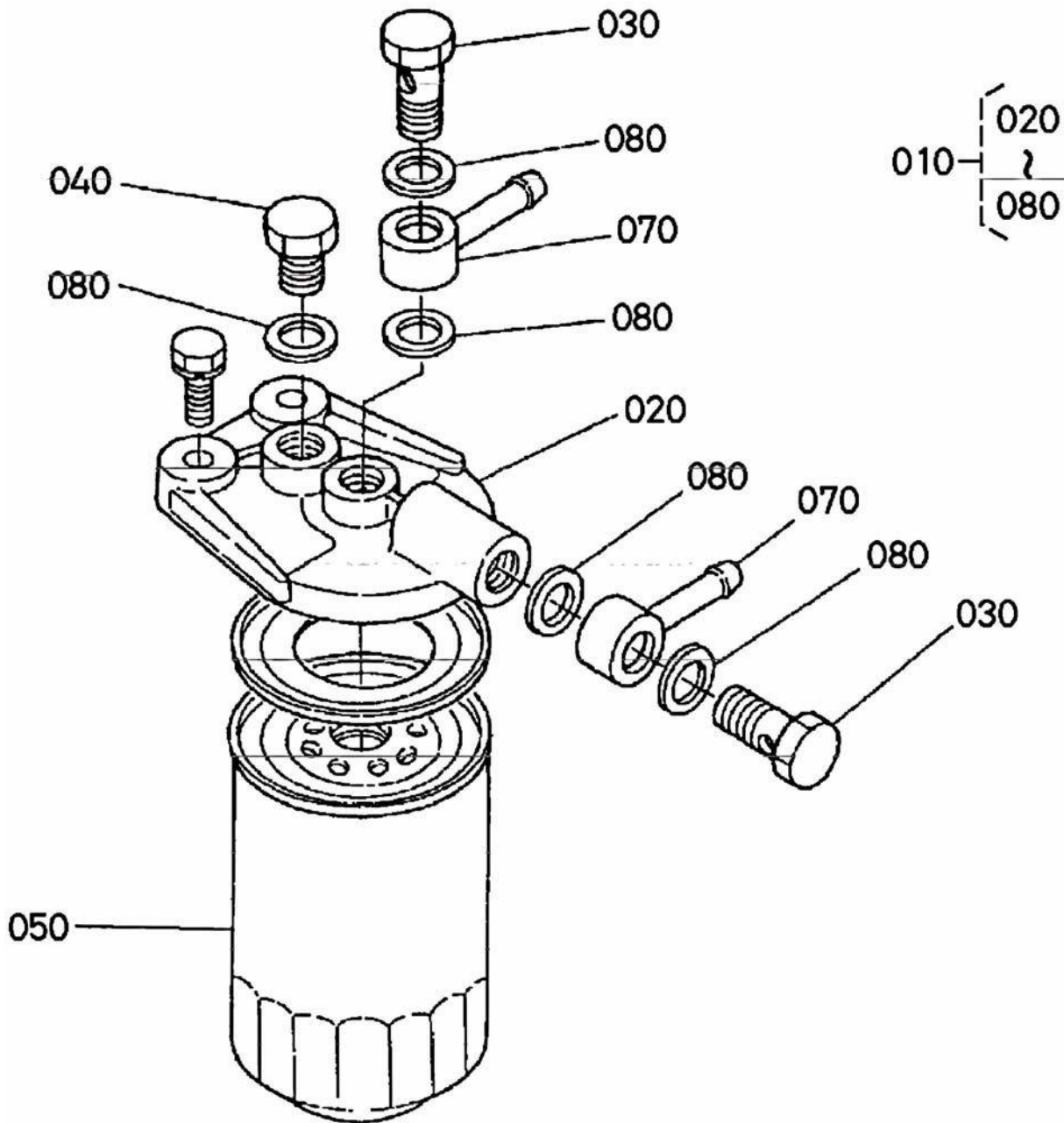
NOTE: \* NOT SHOWN.



# Bright Forklift

BC3-6000

## FUEL FILTER ASSEMBLY (097-20928)





# Bright Forklift

**BC3-6000**

## FUEL FILTER ASSEMBLY (097-20928)

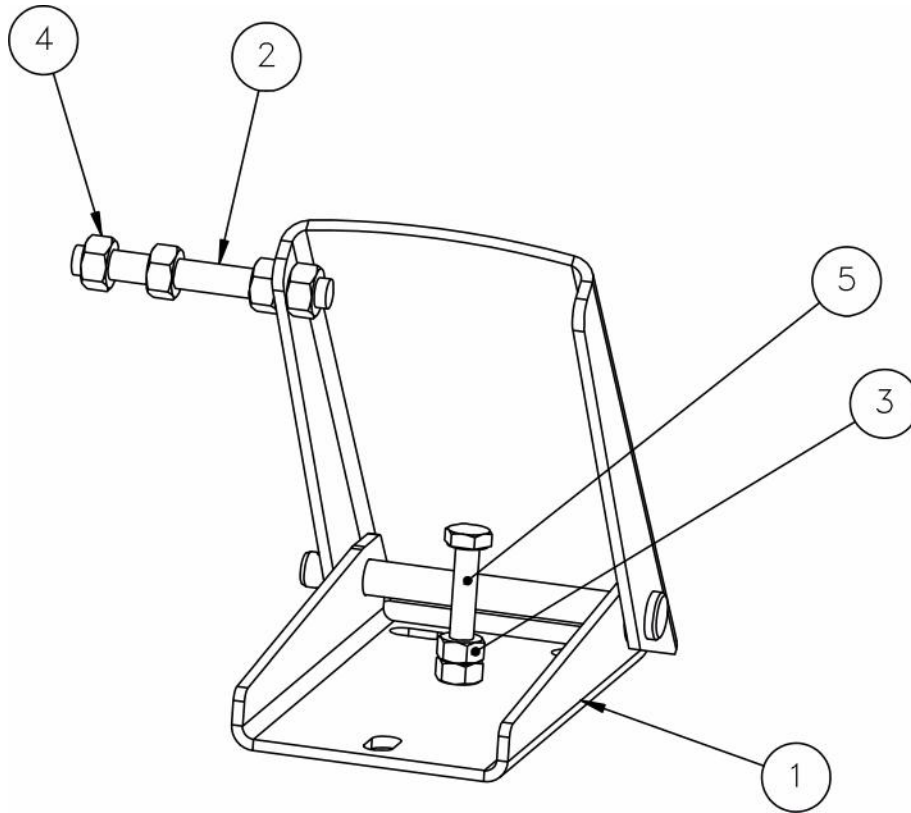
ITEM	PART NUMBER	DESCRIPTION	QTY	MODEL Or SERIAL #
010	097-20928	FUEL FILTER ASSEMBLY (COMPLETE, ITEMS 20-80)	1	
020	097-20929	FUEL FILTER HEAD	1	
030	097-20930	BANJO BOLT	2	
040	097-20931	PLUG	1	
050	230-00010	CARTRIDGE, FUEL FILTER	1	
070	097-20932	BANJO FITTING	2	
080	097-20933	GASKET	5	



# Bright Forklift

**BC3-6000**

## FUEL PEDAL ASSEMBLY (097-21523)





# Bright Forklift

**BC3-6000**

## FUEL PEDAL ASSEMBLY (097-21523)

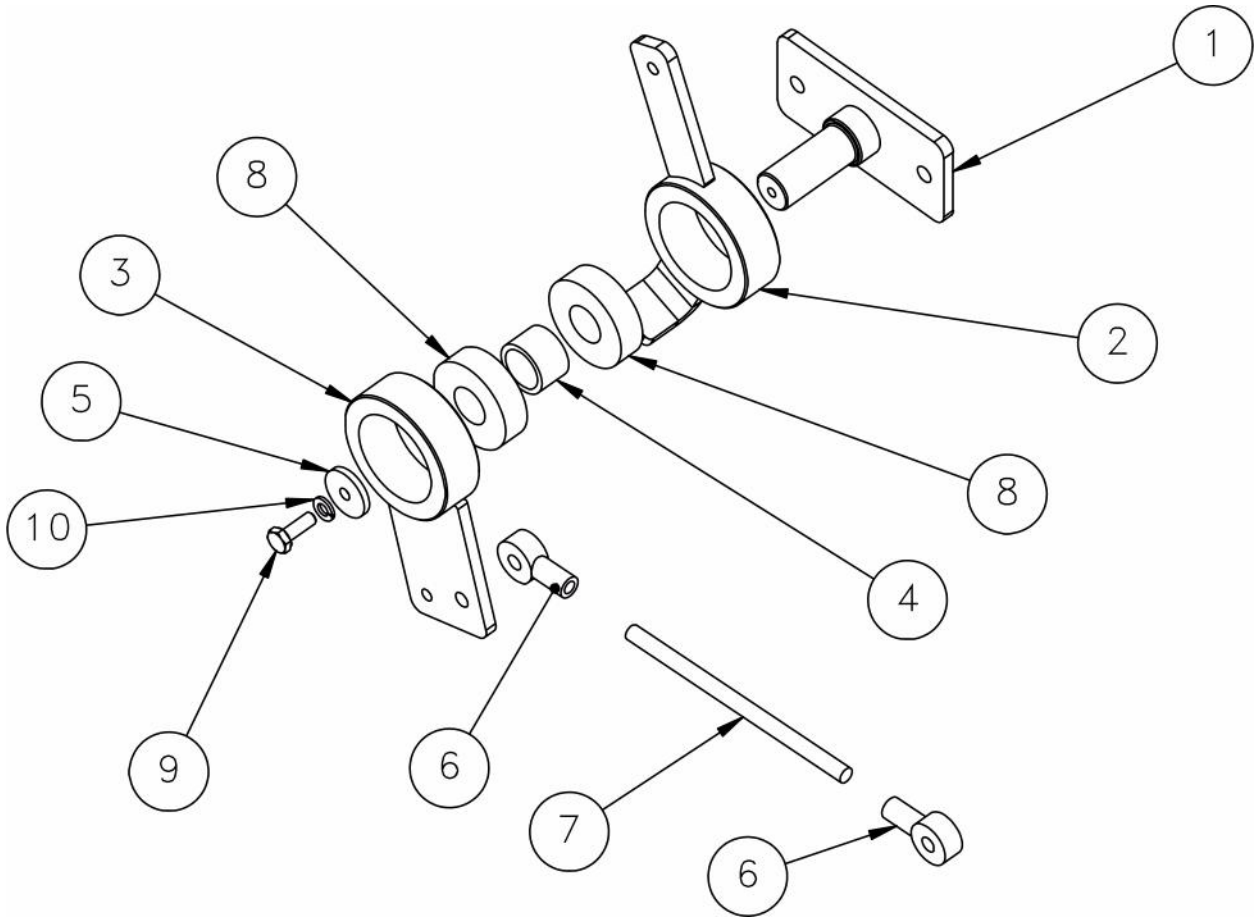
ITEM	PART NUMBER	DESCRIPTION	QTY	MODEL Or SERIAL #
1	097-20482	FUEL PEDAL MODIFIED	1	
2	097-20149	THROTTLE THREADED ROD -1	1	
3	REF.	HEX NUT 1/4" NC	2	
4	REF.	HEX NUT 5/16" NC	4	
5	REF.	SCREW CAP HEX HD 1/4-20 X 1 1/2"	1	



# Bright Forklift

BC3-6000

## THROTTLE BELL CRANKS ASSEMBLY (097-21527)





# Bright Forklift

**BC3-6000**

## THROTTLE BELL CRANKS ASSEMBLY (097-21527)

ITEM	PART NUMBER	DESCRIPTION	QTY	MODEL Or SERIAL #
1	097-21526	BELL CRANKS STUB SHAFT WELDMENT	1	
2	097-21525	BELL CRANK WELDMENT -2	1	
3	097-21524	BELL CRANK -1 WELDMENT	1	
4	097-20151	SPACER	1	
5	097-20152	SPECIAL WASHER	1	
6	097-00553	CW5 ROD END 3/8"	2	
7	097-20150	THROTTLE THREADED ROD -2	1	
8	097-00676	BEARING 6204 - 2RS	2	
9	REF.	SCREW CAP HEX HD 1/4"-20 NC X 3/4"	1	
10	REF.	LOCK WASHER 1/4"	1	



# Bright Forklift

**BC3-6000**

## FLUID CAPACITIES

<b>ITEM</b>	<b>CAPACITY</b>	<b>SUGGESTED</b>
ENGINE	2.51 GALLONS	MIL-L-2104C OR HIGHER
HYDRAULIC OIL TANK	22 GALLONS	SO-46 HYDRAULIC FLUID
GENERAL GREASING	AS NEEDED	SEMI-SYNTHETIC LUBRICANT WITH MOLYBDENUM (5%)
STEERING KING PIN	AS NEEDED	SEMI-SYNTHETIC LUBRICANT WITH MOLYBDENUM (5%)
COOLING CIRCUIT	AS NEEDED	SEMI-SYNTHETIC LUBRICANT WITH MOLYBDENUM (5%)
COOLING CIRCUIT	2.14 GALLONS	WATER AND ANTI-FREEZE*
MAST CHAINS	AS NEEDED	30 WT. NON DETERGENT MOTOR OIL
FUEL TANK	25 GALLONS	DIESEL NO. 2





# Bright Forklift

**BC3-6000**

## BRIGHT PART NUMBERS FOR FILTERS

**097-00535**  
Outer Air Filter  
Element



**097-00536**  
Inner Air  
Filter Element



**097-20287**



**Hydraulic  
Pressure  
Oil Filter**

**230-00060**



**Hydraulic  
Return  
Oil Filter**

**230-00010**



**Kubota Engine  
Fuel Filter**

**097-00131**



**Kubota Engine  
Oil Filter**



# ***Bright Forklift***

**BC3-6000**



# **Bright Forklift**

**BC3-6000**

## **Section 11**

### **SCHEMATICS**

#### **Contents**

ELECTRICAL, TRUCK -----	2
ELECTRICAL, DASH-----	3
HYDRAULIC FOR TRACTION -----	4
HYDRAULIC EXCLUDING TRACTION -----	5



# ***Bright Forklift***

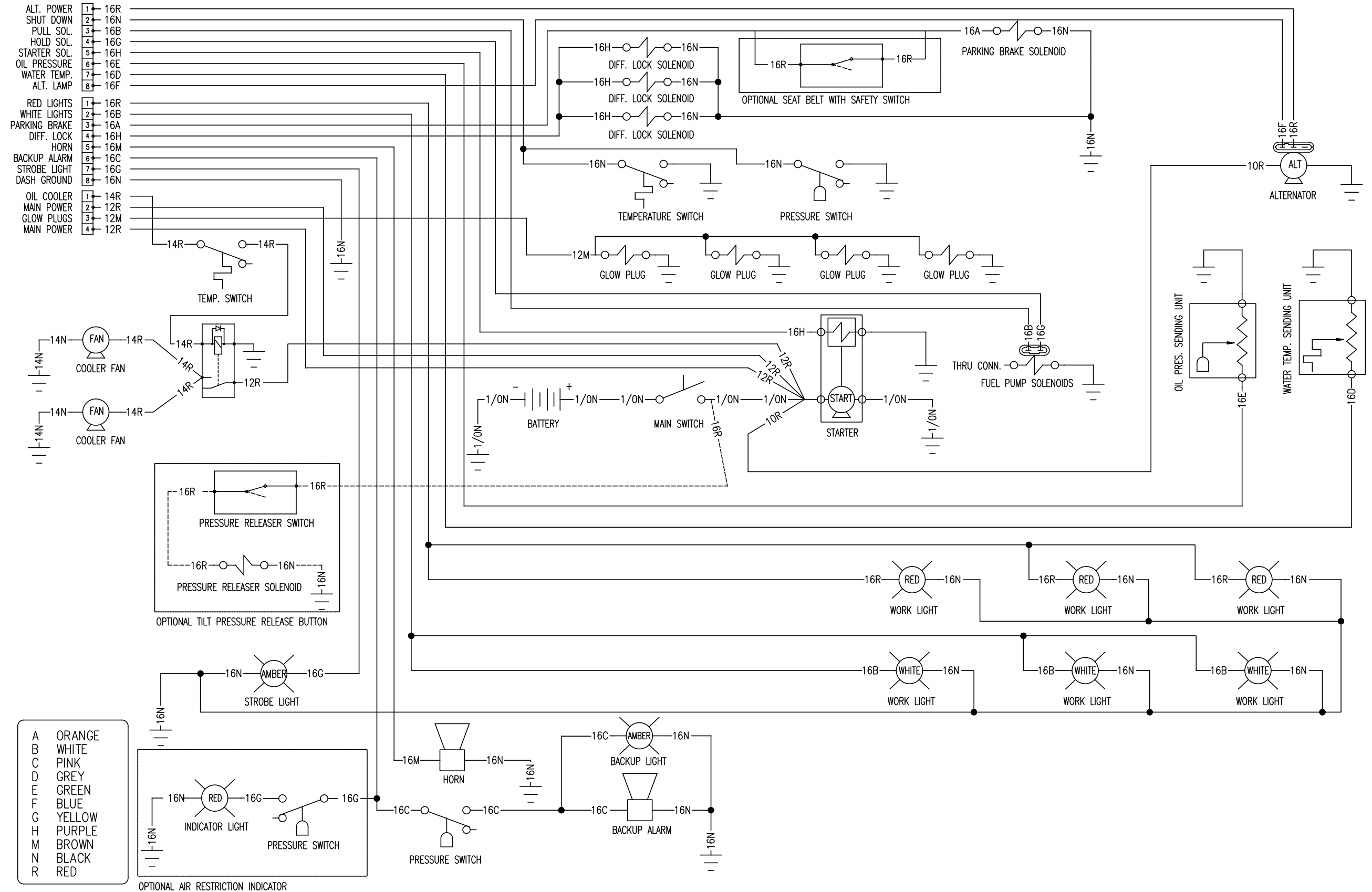
**BC3-6000**



# Bright Forklift

BC3-6000

## ELECTRICAL SCHEMATIC TRUCK



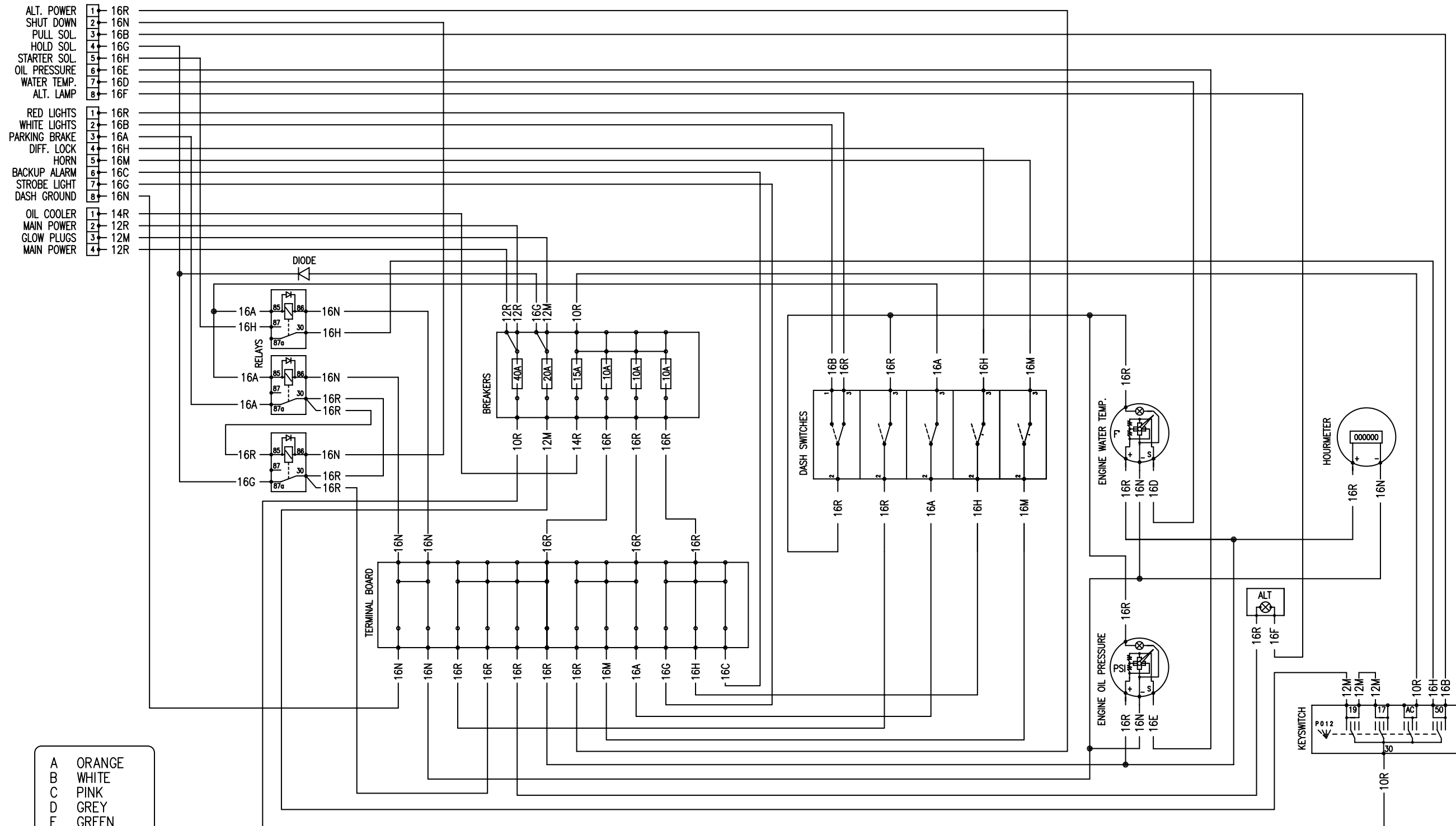




# Bright Forklift

BC3-6000

## ELECTRICAL SCHEMATIC FOR DASH



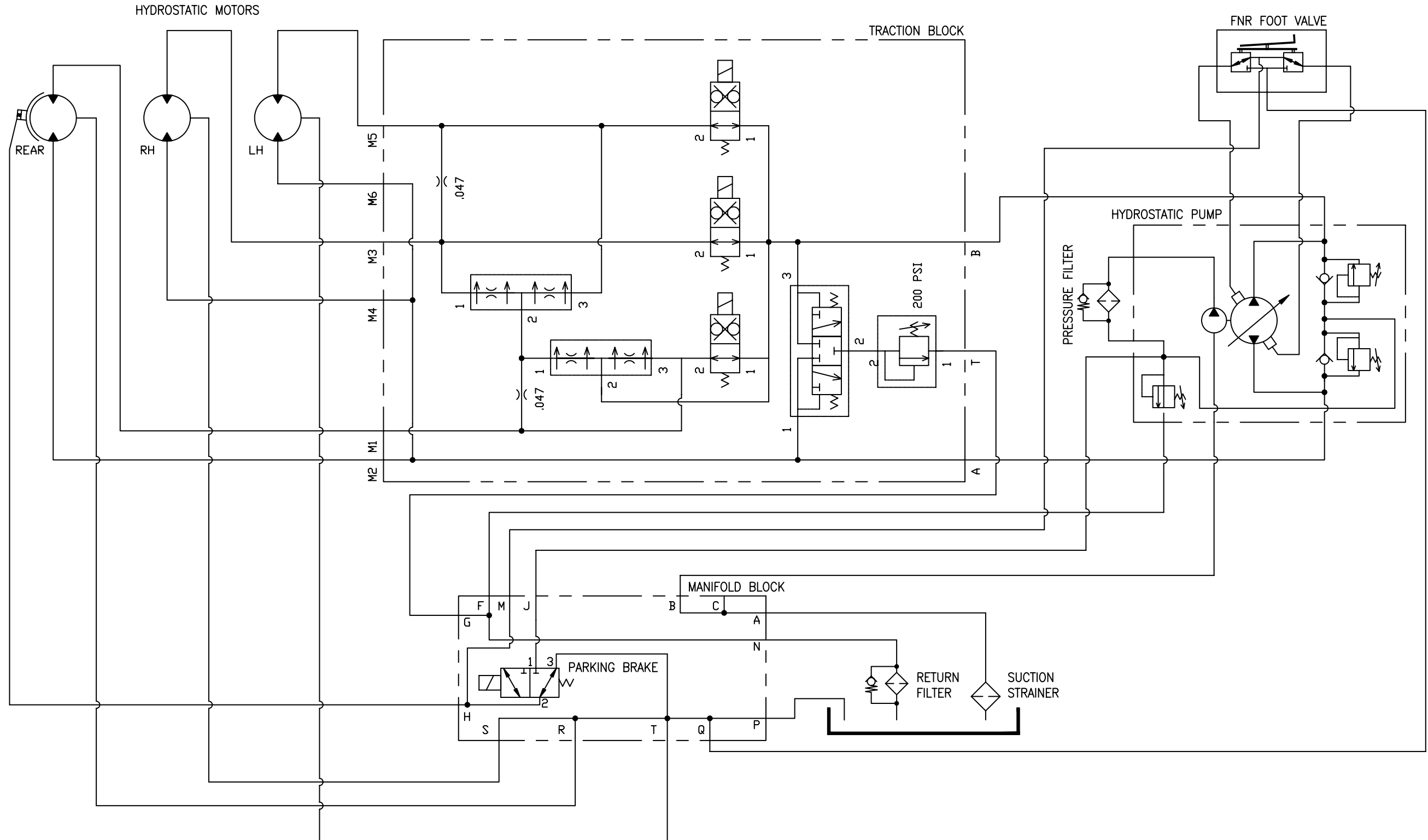
- 1 16R
- 2 16N
- 3 16B
- 4 16G
- 5 16H
- 6 16E
- 7 16D
- 8 16F
  
- 1 16R
- 2 16B
- 3 16A
- 4 16H
- 5 16M
- 6 16C
- 7 16G
- 8 16N
  
- 1 14R
- 2 12R
- 3 12M
- 4 12R

- A ORANGE
- B WHITE
- C PINK
- D GREY
- E GREEN
- F BLUE
- G YELLOW
- H PURPLE
- M BROWN
- N BLACK
- R RED



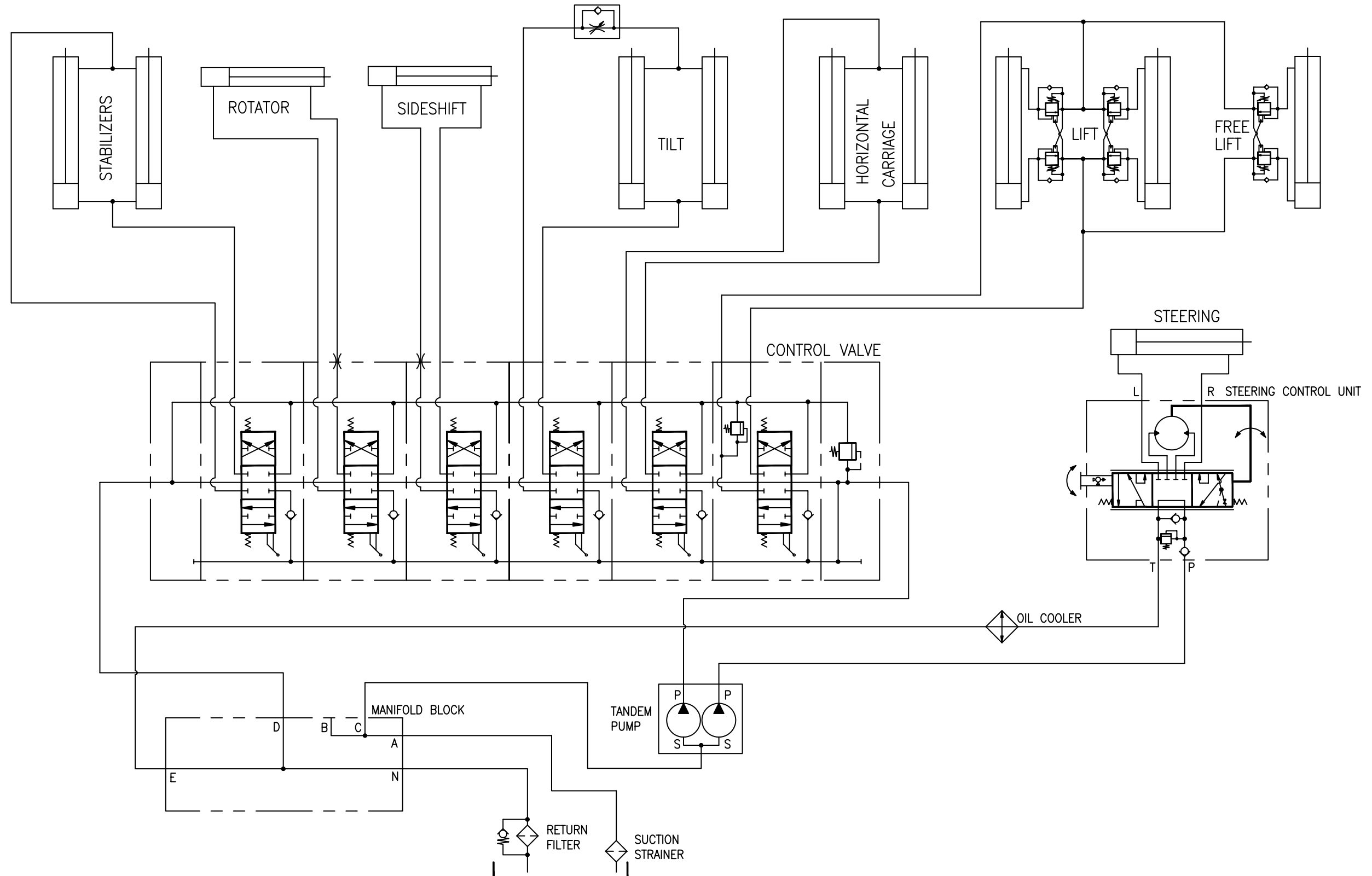


## HYDRAULIC SCHEMATIC FOR TRACTION





## HYDRAULIC SCHEMATIC EXCLUDING TRACTION







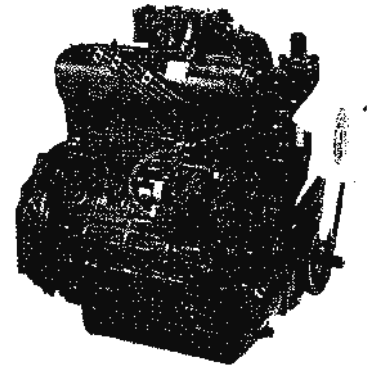
# Section 12

## KUBOTA DIESEL Engine

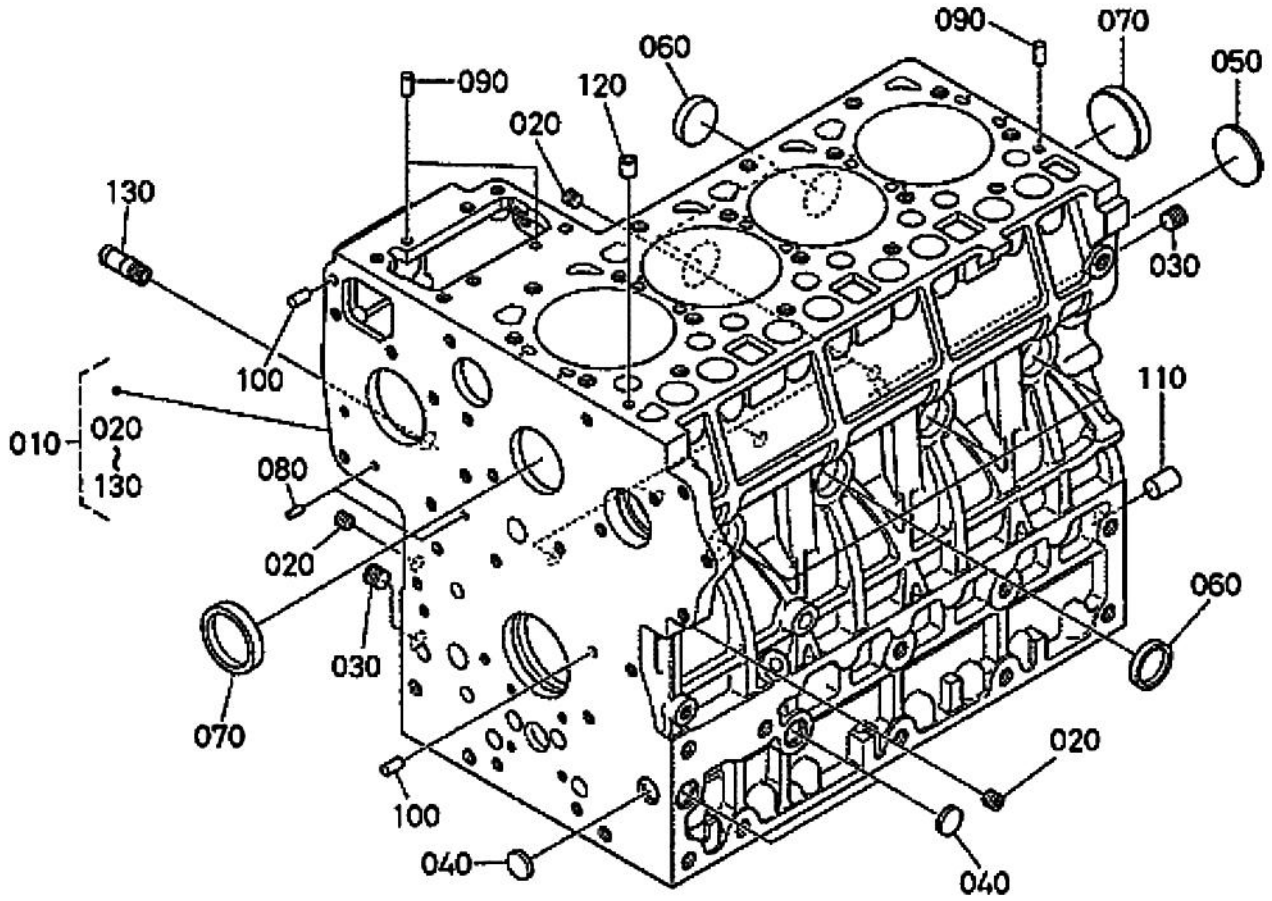
### Model: V2403MT (60HP, Turbo Charged)

### Contents

CRANKCASE	-2
OIL PAN	4
CYLINDER HEAD	-6
GEAR CASE	8
HEAD COVER	10
OIL FILTER	12
DIPSTICK AND GUIDE	14
OIL PUMP	-16
MAIN BEARING CASE	18
CAMSHAFT AND IDLE GEAR SHAFT	-20
PISTON AND CRANKSHAFT	-22
FLYWHEEL	-24
FUEL CAMSHAFT AND GOVERNOR SHAFT	26
IDLE APPARATUS	28
ENGINE STOP LEVER	30
STOP SOLENOID	32
INJECTION PUMP	-34
GOVERNOR	-36
SPEED CONTROL PLATE	38
NOZZLE HOLDER AND GLOW PLUG	40
FUEL PUMP (MECHANICAL)	42
COVER	44
ALTERNATOR AND PULLEY	-46
ALTERNATOR (COMPONENT PARTS)	48
STARTER	50
STARTER (COMPONENT PARTS)	-52
OIL SWITCH AND PLUG	-54
WATER FLANGE AND THERMOSTAT	56
WATER PUMP	58
FAN	-60
VALVE AND ROCKER ARM	-62
INLET MANIFOLD	-64
EXHAUST MANIFOLD	66
TURBO CHARGER	-68
OIL PIPE (TURBO CHARGER)	70
OIL COOLER	-72
GLOW LAMP AND TIMER	-74
ACCESSORIES AND SERVICE PARTS	76
LABEL AND OPERATOR'S MANUAL	78
MISCELLANEOUS NOTES	80



CRANKCASE



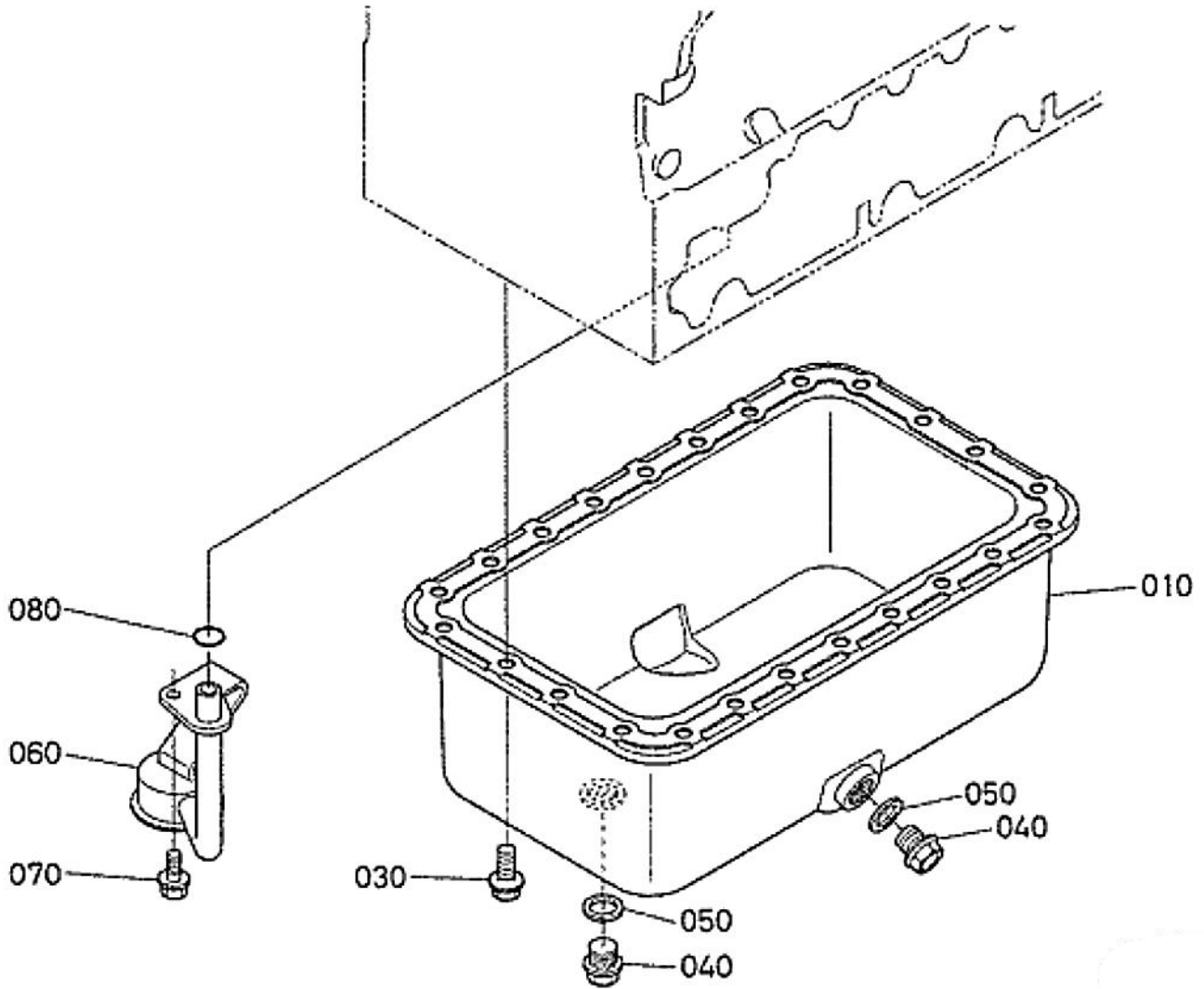


**BC3-6000 3 Wheel Field Loader**

**CRANKCASE**

ITEM	PART	DESCRIPTION	QTY	MODEL Or SERIAL #
010	097-01028	COMP. CRANKCASE	1	<=7EFZ999
010	097-01011	CRANKCASE, COMP	1	>=7EG0001
020	097-00052	PLUG	6	
030	097-00053	PLUG	2	
040	097-00054	PLUG, EXPANSION	3	
050	097-00055	PLUG, EXPANSION	1	
060	097-00056	CAP, SEALING	6	
070	097-00057	CAP, SEALING	2	
080	097-00058	PIN, STRAIGHT	2	
090	097-00059	PIN, STRAIGHT	3	
100	097-00060	PIN, STRAIGHT	2	
110	097-00061	PIN, STRAIGHT	1	
120	097-00062	PIN, PIPE	1	
130	097-00935	PIPE(WATER RETURN)	1	

**OIL PAN**





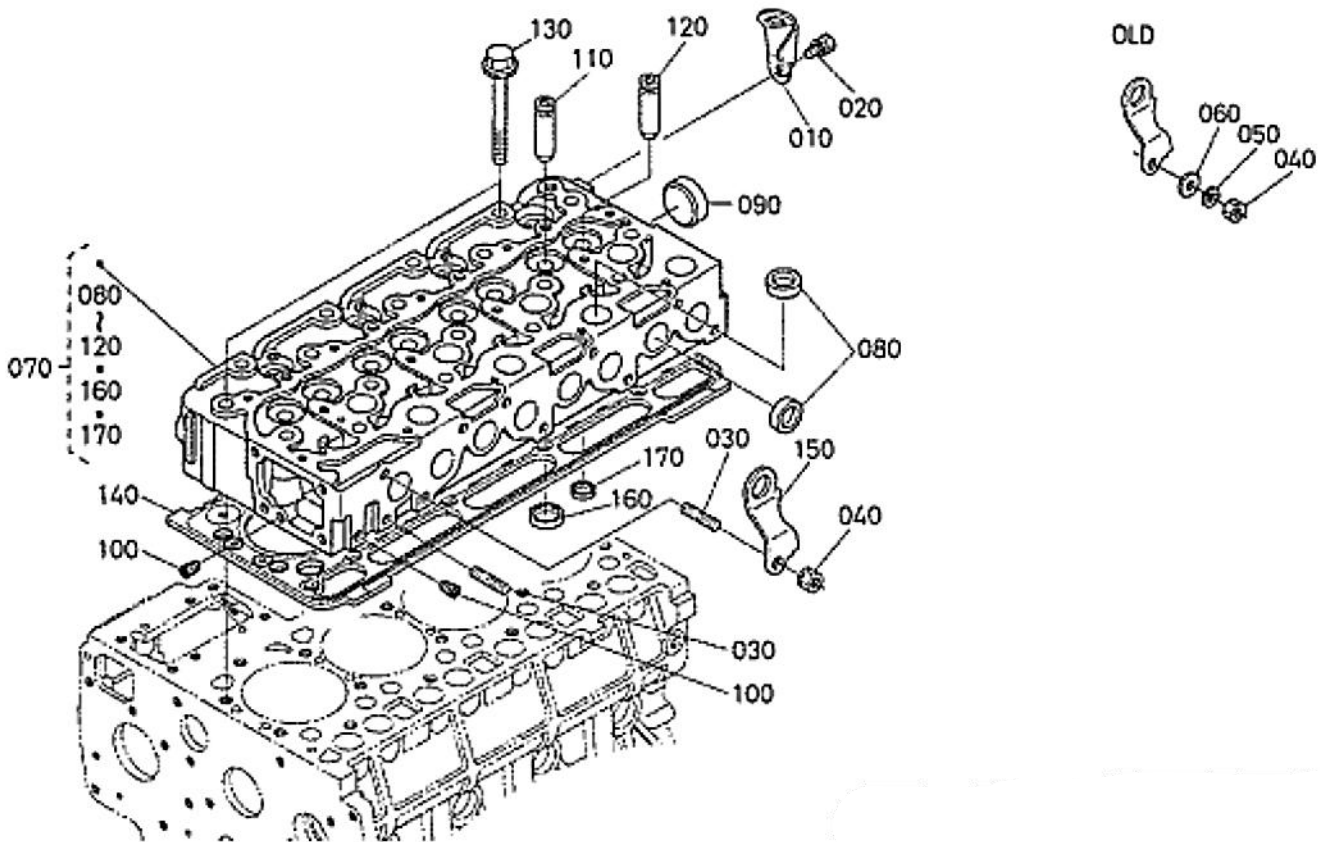


**Inc. BC3-6000 3 Wheel Field Loader**

**OIL PAN**

<b>ITEM</b>	<b>PART</b>	<b>DESCRIPTION</b>	<b>QTY</b>	<b>MODEL Or SERIAL #</b>
010	097-00987	OIL PAN	1	
030	097-00069	BOLT, FLANGE	24	
040	430-00214	PLUG (DRAIN)	2	
050	430-00215	PACKING	2	
060	097-01046	FILTER, OIL	1	
070	097-20914	BOLT, FLANGE	1	
080	097-00076	O RING	1	

**CYLINDER HEAD**



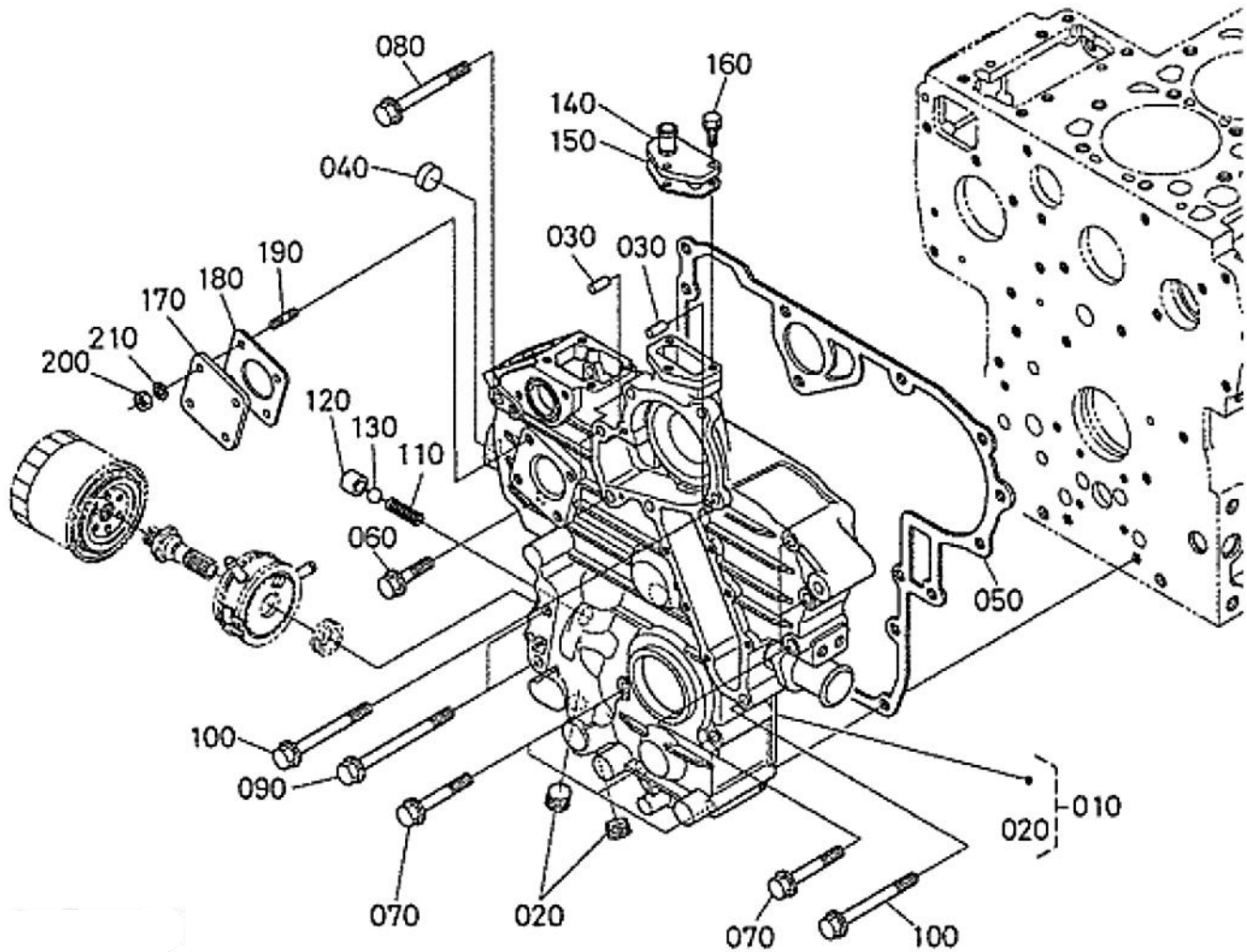


**BC3-6000 3 Wheel Field Loader**

**CYLINDER HEAD**

ITEM	PART	DESCRIPTION	QTY	MODEL Or SERIAL #
010	097-00954	HOOK, ENGINE	1	
020	097-00904	BOLT, SEMS	1	
030	097-00079	STUD	2	
040	097-00080	NUT	1	<=7DMZ999
	097-00483	NUT WITH LOCK WASHER	1	>=7DN0001
050	097-00924	WASHER, SPRING LOCK	1	<=7DMZ999
060	097-00082	WASHER, PLAIN	1	<=DMZ999
070	097-01100	COMP. CYLINDER HEAD	1	
080	097-00084	PLUG, CUP TYPE	12	
090	097-00085	CAP, SEALING	1	
100	097-01117	PLUG	2	
110	097-01056	GUIDE, INLET VALVE	4	
120	097-01012	GUIDE, VALVE, EXHAUST	4	
130	097-00089	BOLT, CYLINDER HEAD	18	
140	097-20931	GASKET, CYLINDER HEAD (1.20MM)	1	
140	097-20933	GASKET, CYLINDER HEAD (1.15MM)	1	
140	097-20934	GASKET, CYLINDER HEAD 1.25MM)	1	
140	097-20935	GASKET, CYLINDER HEAD (1.30MM)	1	
140	097-20932	GASKET, CYLINDER HEAD (1.35MM)	1	
150	097-00984	HOOK, ENGINE	1	
160	097-20956	SEAT, INLET VALVE	4	
170	097-20955	SEAT, EXHAUST VALVE	4	

**GEAR CASE**



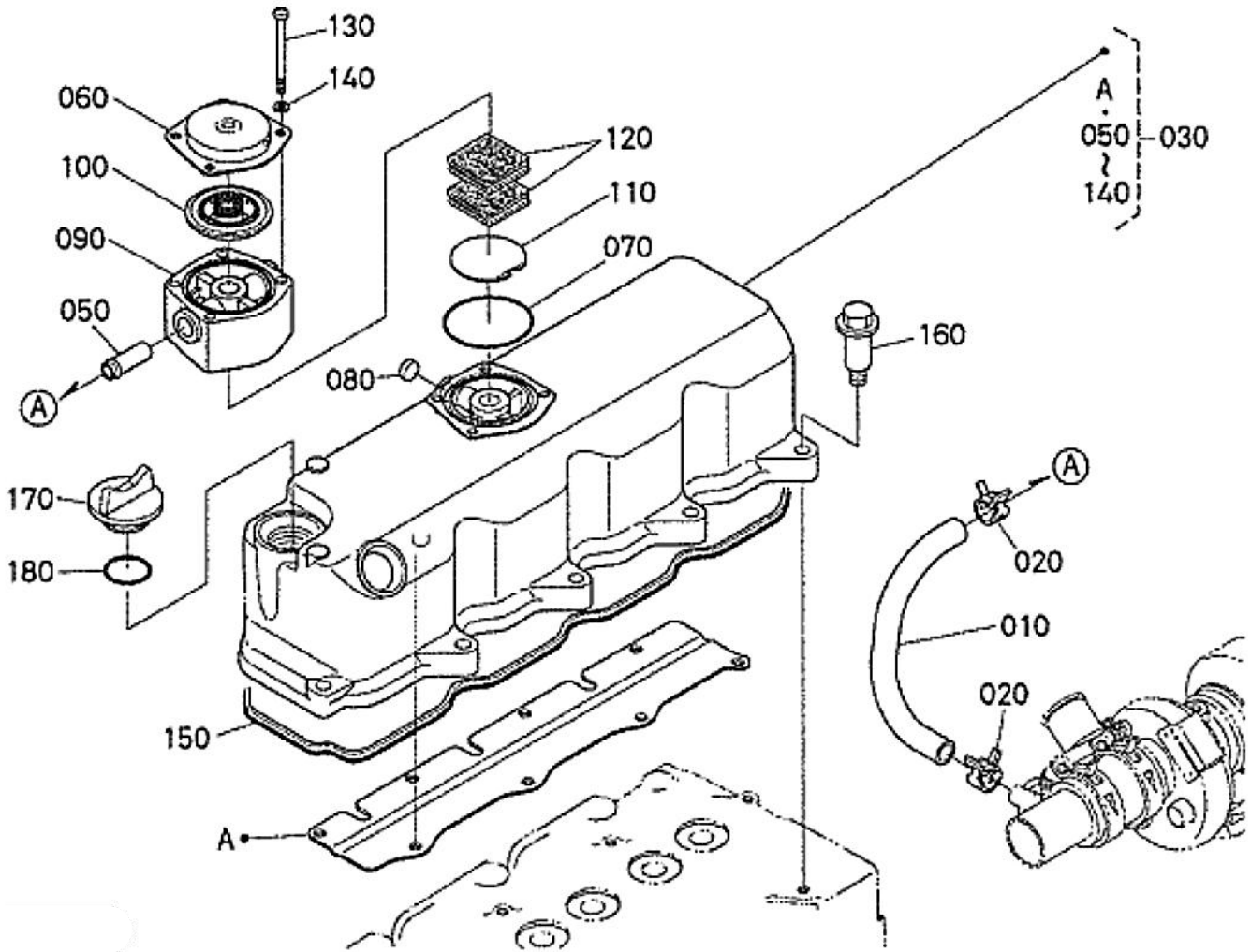


**BC3-6000 3 Wheel Field Loader**

**GEAR CASE**

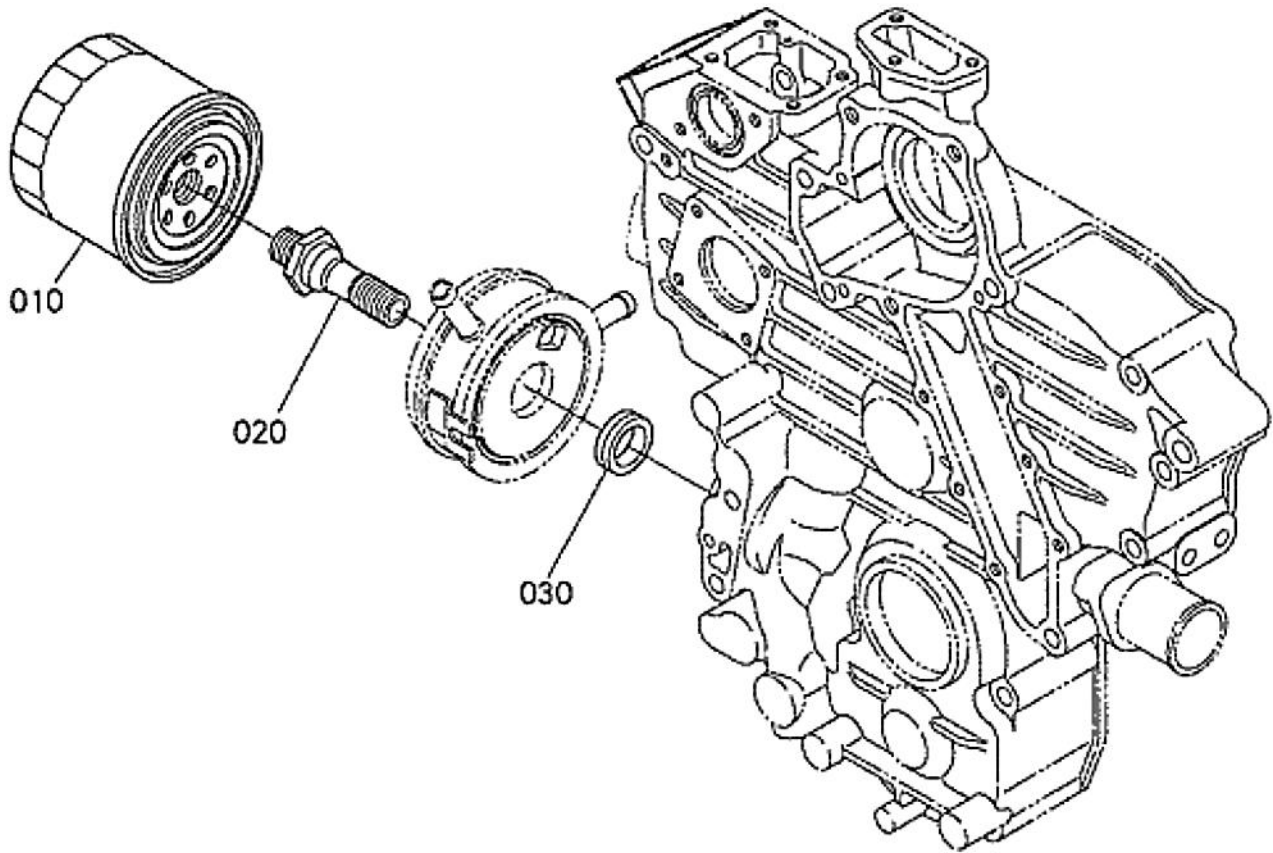
ITEM	PART	DESCRIPTION	QTY	MODEL Or SERIAL #
010	097-01081	COMP. CASE, GEAR	1	
020	097-00092	PLUG	2	
030	097-00096	PIN, STRAIGHT	2	
040	097-00097	CAP, SEALING	1	
050	097-01029	GASKET, GEAR CASE	1	
060	097-00292	BOLT, FLANGE	1	
070	097-00999	BOLT, SEMS	7	
080	097-00916	BOLT, FLANCE	1	
090	097-01041	BOLT, SEMS	2	
100	097-00917	BOLT, FLANGE	4	
110	097-00105	SPRING	1	
120	097-00106	SEAT, VALVE	1	
130	097-00107	BALL	1	
140	097-00108	FLANGE, WATER RETURN	1	
150	097-00998	GASKET, RETURN FLANGE	1	
160	097-00110	BOLT, SEMS	3	
170	097-00111	COVER	1	
180	097-00112	GASKET, HOUR METER	1	
190	097-00113	STUD	4	
200	097-00114	HEX,NUT	4	
210	097-00923	WASHER, SPRING	4	

**HEAD COVER**





**OIL FILTER**





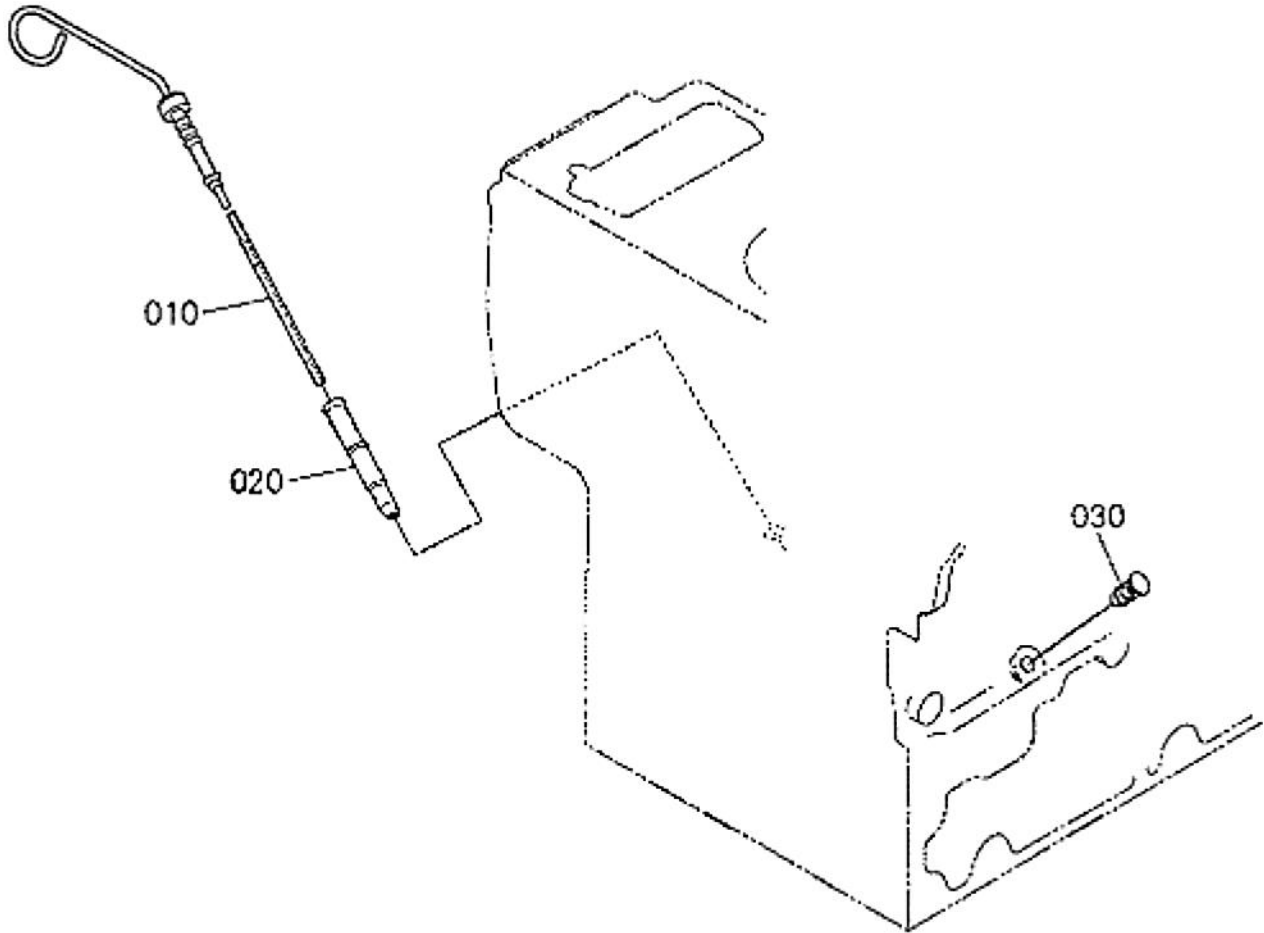


**BC3-6000 3 Wheel Field Loader**

**OIL FILTER**

<b>ITEM</b>	<b>PART</b>	<b>DESCRIPTION</b>	<b>QTY</b>	<b>MODEL Or SERIAL #</b>
010	097-00131	CARTRIDGE, OIL FILTER	1	
020	097-01043	CONNECTOR	1	
030	097-01058	COLLAR	1	

**DIPSTICK AND GUIDE**



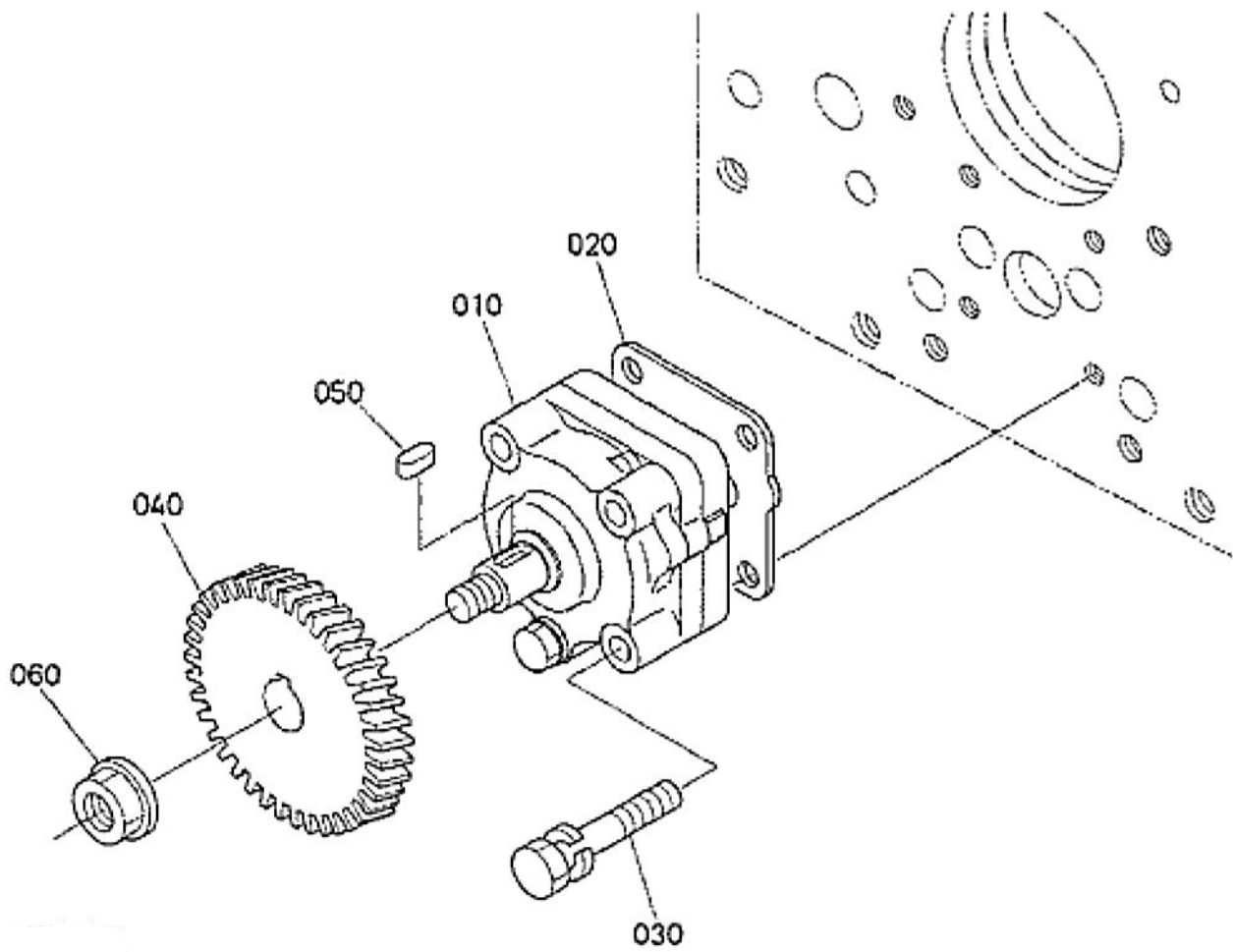


**BC3-6000 3 Wheel Field Loader**

**DIPSTICK AND GUIDE**

<b>ITEM</b>	<b>PART</b>	<b>DESCRIPTION</b>	<b>QTY</b>	<b>MODEL Or SERIAL #</b>
010	097-01112	GAUGE, OIL	1	
020	097-00133	GUIDE, OIL GAUGE	1	
030	097-20951	PLUG, OIL GAUGE	1	

**OIL PUMP**



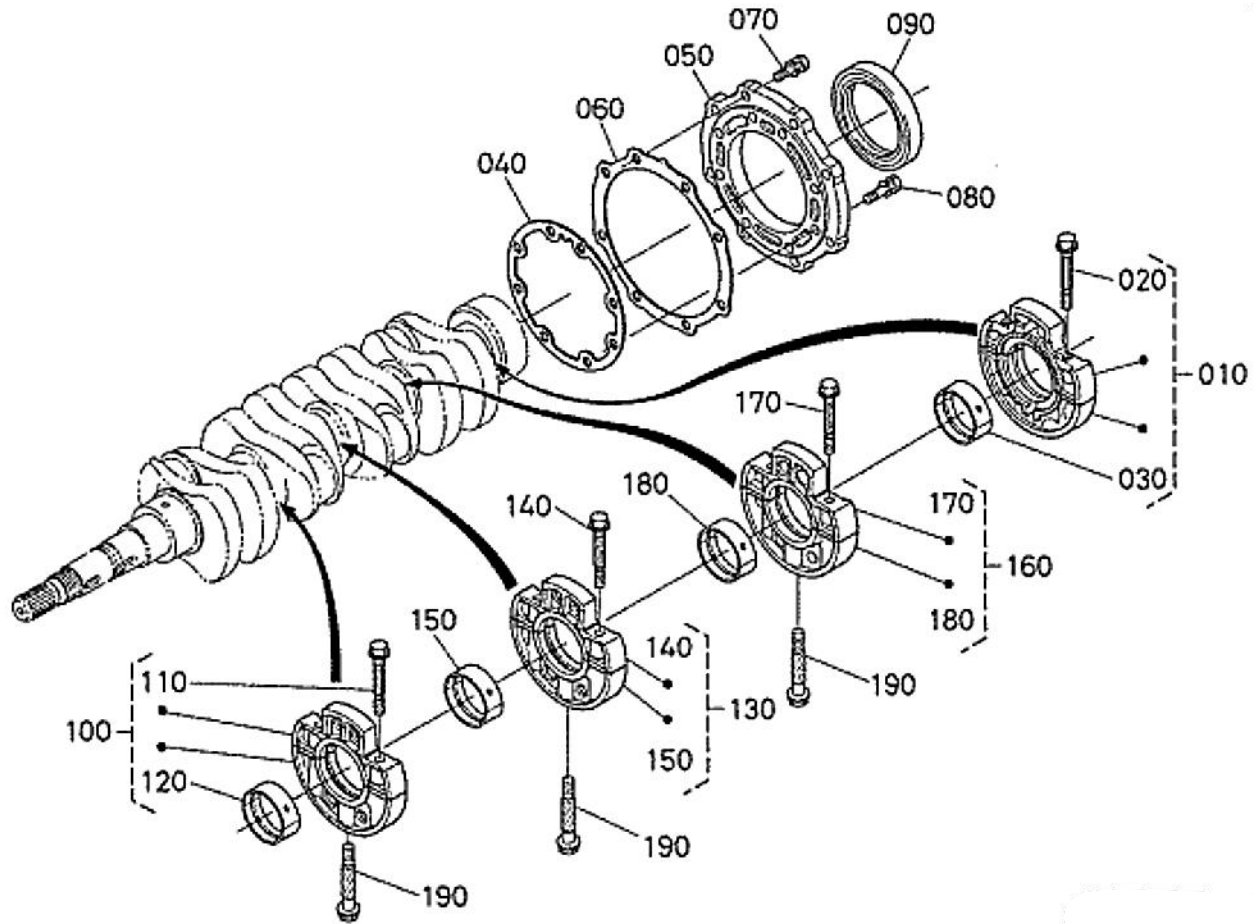


**BC3-6000 3 Wheel Field Loader**

**OIL PUMP**

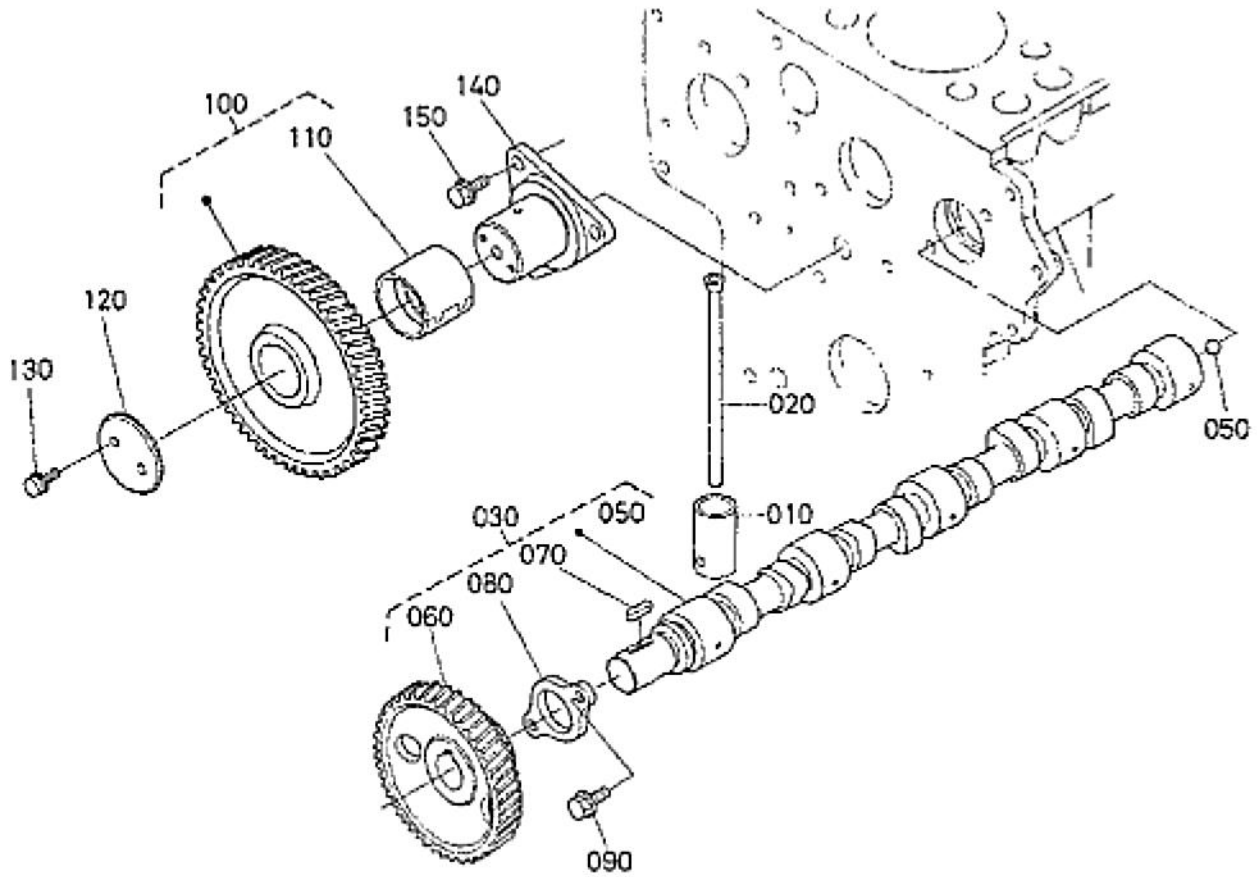
<b>ITEM</b>	<b>PART</b>	<b>DESCRIPTION</b>	<b>QTY</b>	<b>MODEL Or SERIAL #</b>
010	097-20939	ASSY PUMP, OIL	1	
020	097-00136	GASKET, OIL PUMP	1	
030	097-00901	BOLT,SEMS	4	
040	097-00979	GEAR, OIL PUMP DRIVE	1	
050	097-00139	KEY, FEATHER	1	
060	097-00140	NUT, FLANGE	1	

**MAIN BEARING CASE**





**CAMSHAFT AND IDLE GEAR SHAFT**





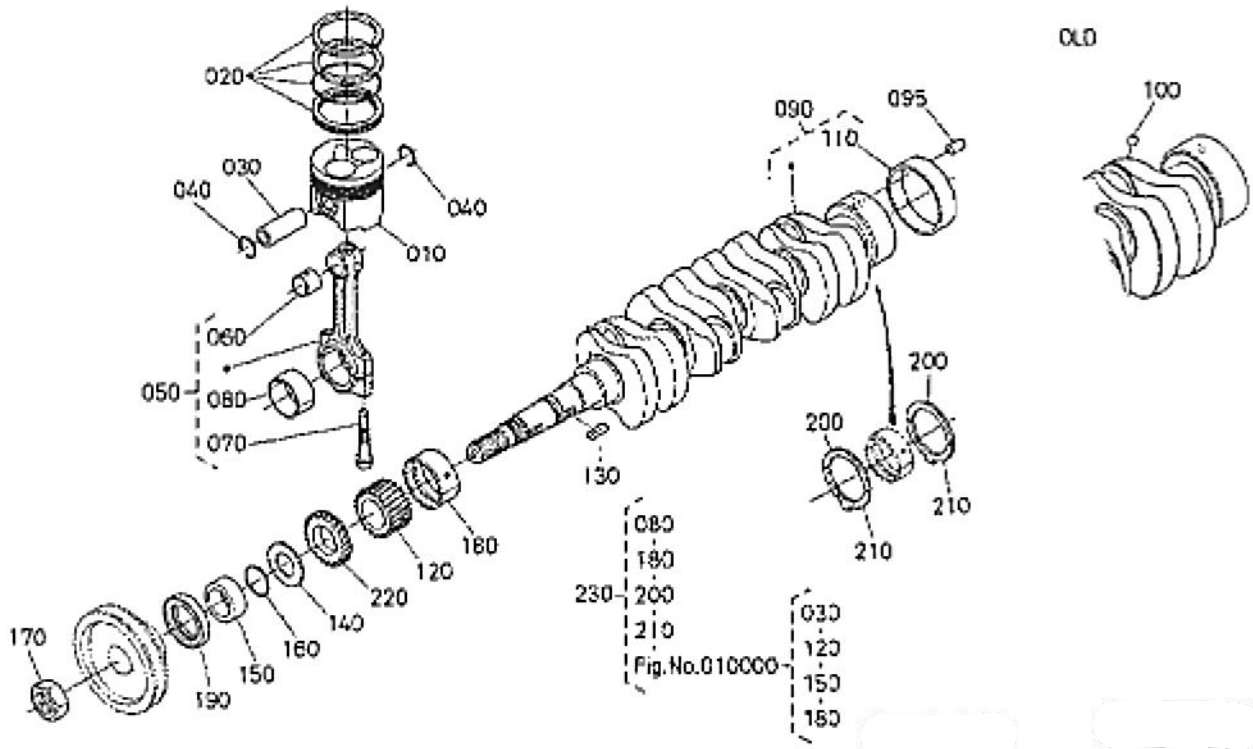


**Inc. BC3-6000 3 Wheel Field Loader**

**CAMSHAFT AND IDLE GEAR SHAFT**

ITEM	PART	DESCRIPTION	QTY	MODEL Or SERIAL #
010	097-00940	TAPPET	8	
020	097-01004	PUSH ROD	8	
030	097-01086	ASSY CAMSHAFT	1	
040	-----	BLANK	-	
050	097-00171	BALL 1/4"	1	
060	097-01087	GEAR, CAM	1	
070	097-00173	KEY, FEATHER	1	
080	097-00174	STOPPER, CAMSHAFT	1	
090	097-00175	BOLT, SEMS	2	<=DMZ999
090	097-00915	BOLT, FLANGE	2	>=7DN0001
100	097-01118	COMP. GEAR, IDLE	1	
110	097-01106	BUSHING, IDLE GEAR	1	
120	097-01101	COLLAR, IDLE GEAR	1	
130	097-00912	BOLT, FLANGE	2	
140	097-20992	SHAFT, IDLE GEAR	1	
150	097-00175	BOLT, SEMS	3	<=DMZ999
150	097-00915	BOLT FLANGE	3	>7DN0001

**PISTON AND CRANKSHAFT**



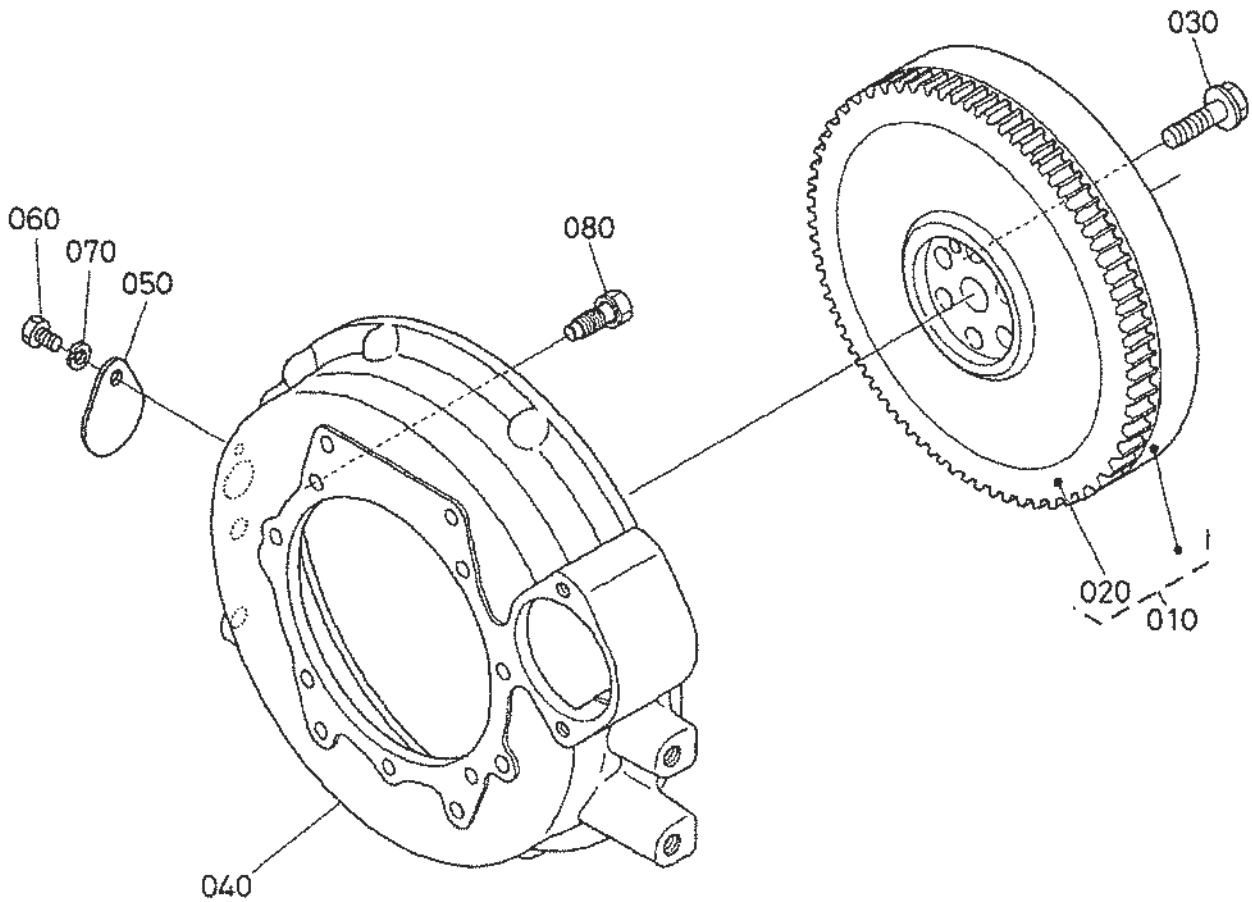


**Inc. BC3-6000 3 Wheel Field Loader**

**PISTON AND CRANKSHAFT**

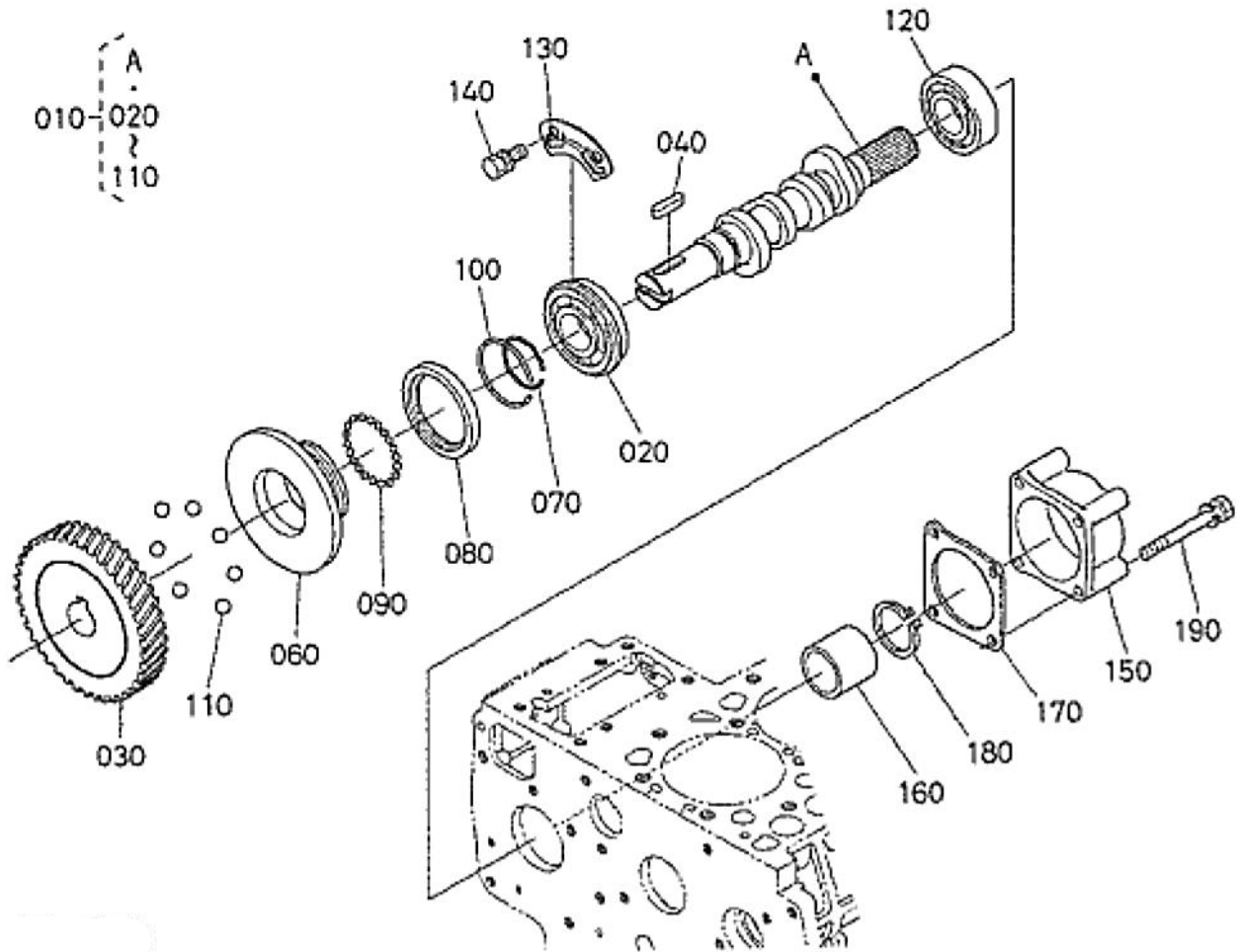
ITEM	PART	DESCRIPTION	QTY	MODEL Or SERIAL #
010	097-01090	PISTON (+0.25MM)	4	
010	097-01089	PISTON (STD)	4	
020	097-01072	ASSY PISTON RING (STD)	4	
020	097-01073	ASSY PISTON RING (+0.25MM)	4	
030	097-00990	PIN, PISTON	4	
040	097-01020	CIR CLIP, INTERNAL	8	
050	097-01075	ROD, CONNECTING ASSEMBLY	4	
060	097-01074	BUSH, PISTON PIN	4	
070	097-01095	BOLT, CONNECTING ROD	8	
080	097-00191	METAL, CRANKPIN (STD SET)	4	
080	097-00981	METAL, CRANKPIN (-0.20MM SET)	4	
080	097-00982	METAL, CRANKPIN (-0.40MM)	4	
090	097-01048	COMP. CRANKSHAFT	1	
095	097-00991	PIN, STRAIGHT	1	
100	097-00171	BALL 1/4	4	
110	097-00196	BUSH, CRANKSHAFT	1	
120	097-00936	GEAR, CRANK	1	
130	097-00928	KEY, FEATHER	1	
140	097-00199	SLINGER, OIL	1	
150	097-00200	COLLAR, CRANKSHAFT	1	
160	097-00201	O RING	1	
170	097-00202	NUT, CRANKSHAFT	1	
180	097-01007	METAL, CRANKSHAFT (STD)	1	
180	097-00204	METAL, CRANKSHAFT (-0.20MM)	1	
180	097-00205	METAL, CRANKSHAFT (-0.40MM)	1	
190	097-01053	SEAL, OIL	1	
200	097-01009	METAL, SIDE (STD)	2	
200	097-00208	METAL, SIDE (0.20MM)	2	
200	097-00209	METAL, SIDE (0.40MM)	2	
210	097-00211	METAL, SIDE (0.20MM)	2	
210	097-00212	METAL, SIDE (0.40MM)	2	
210	097-01010	METAL, SIDE (STD)	2	
220	097-00937	GEAR (OIL PUMP DRIVE)	1	
230	097-20954	KIT METAL, ENGINE (STD)	1	
230	097-01049	KIT METAL, ENGINE (-0.20MM / +0.20MM)	1	
230	097-01050	KIT METAL, ENGINE (-0.40MM / +0.40MM)	1	

**FLYWHEEL**





**FUEL CAMSHAFT AND GOVERNOR SHAFT**



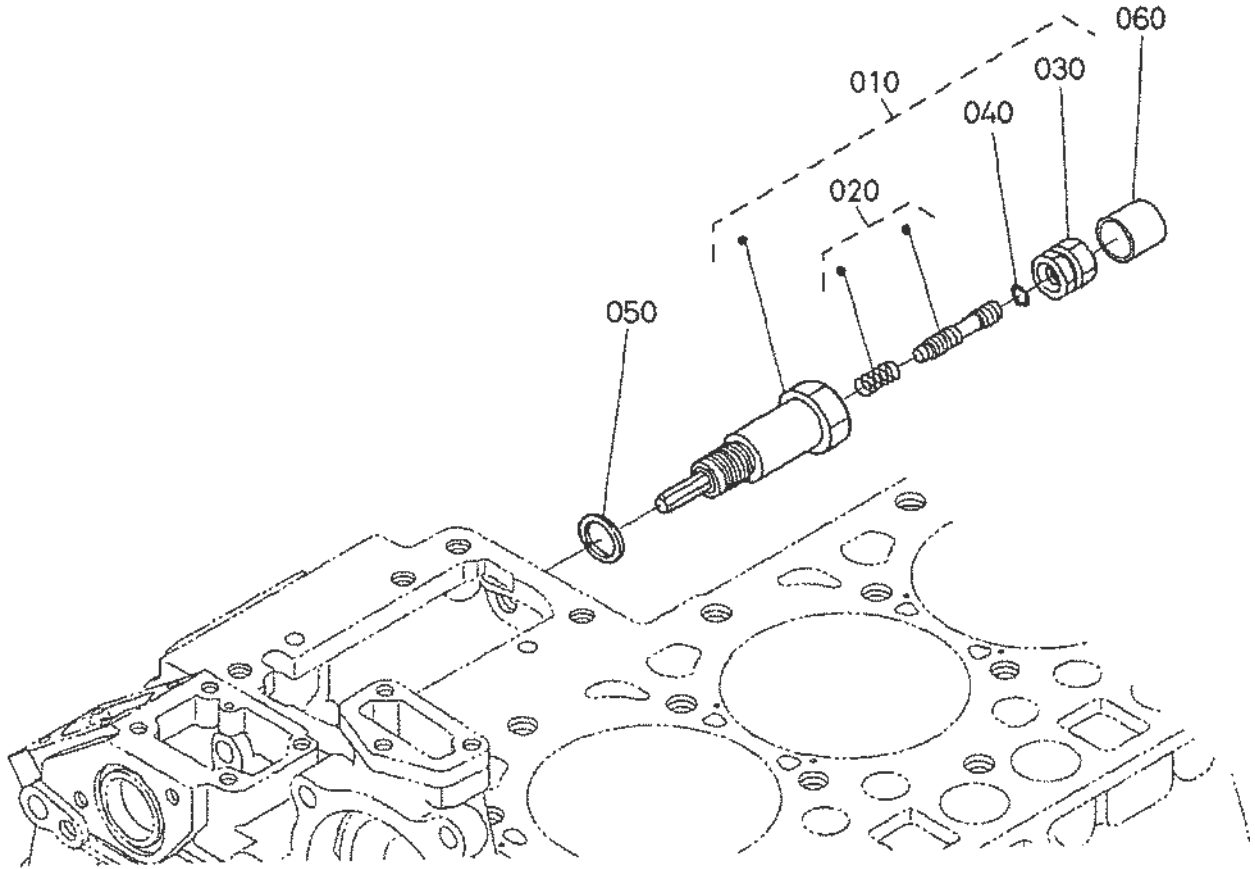


**Inc. BC3-6000 3 Wheel Field Loader**

**FUEL CAMSHAFT AND GOVERNOR SHAFT**

ITEM	PART	DESCRIPTION	QTY	MODEL Or SERIAL #
010	097-01005	CAMSHAFT, ASSEMBLY (FUEL)	1	
020	097-01109	BEARING, BALL	1	
030	097-00228	GEAR, INJECTION PUMP	1	
040	097-00229	KEY, FEATHER	1	
060	097-01062	SLEEVE, GOVERNOR	1	
070	097-00232	CIR CLIP, GOVERNOR SLEEVE	1	
080	097-01063	CASE, GOVERNOR BALL	1	
090	097-00234	BALL 5/32	39	
100	097-00235	CIR-CLIP, GOV. B. CASE	1	
110	097-00236	BALL	7	
120	097-01052	BEARING, BALL	1	
130	097-01006	STOPPER, FUEL CAMSHAFT	1	
140	097-00903	BOLT, SEMS	2	
150	097-00933	COVER, FUEL CAMSHAFT	1	
160	097-01051	COLLAR	1	
170	097-01024	GASKET	1	
180	097-00925	CIR CLIP, EXTERNAL	1	
190	097-00244	BOLT, SEMS	4	

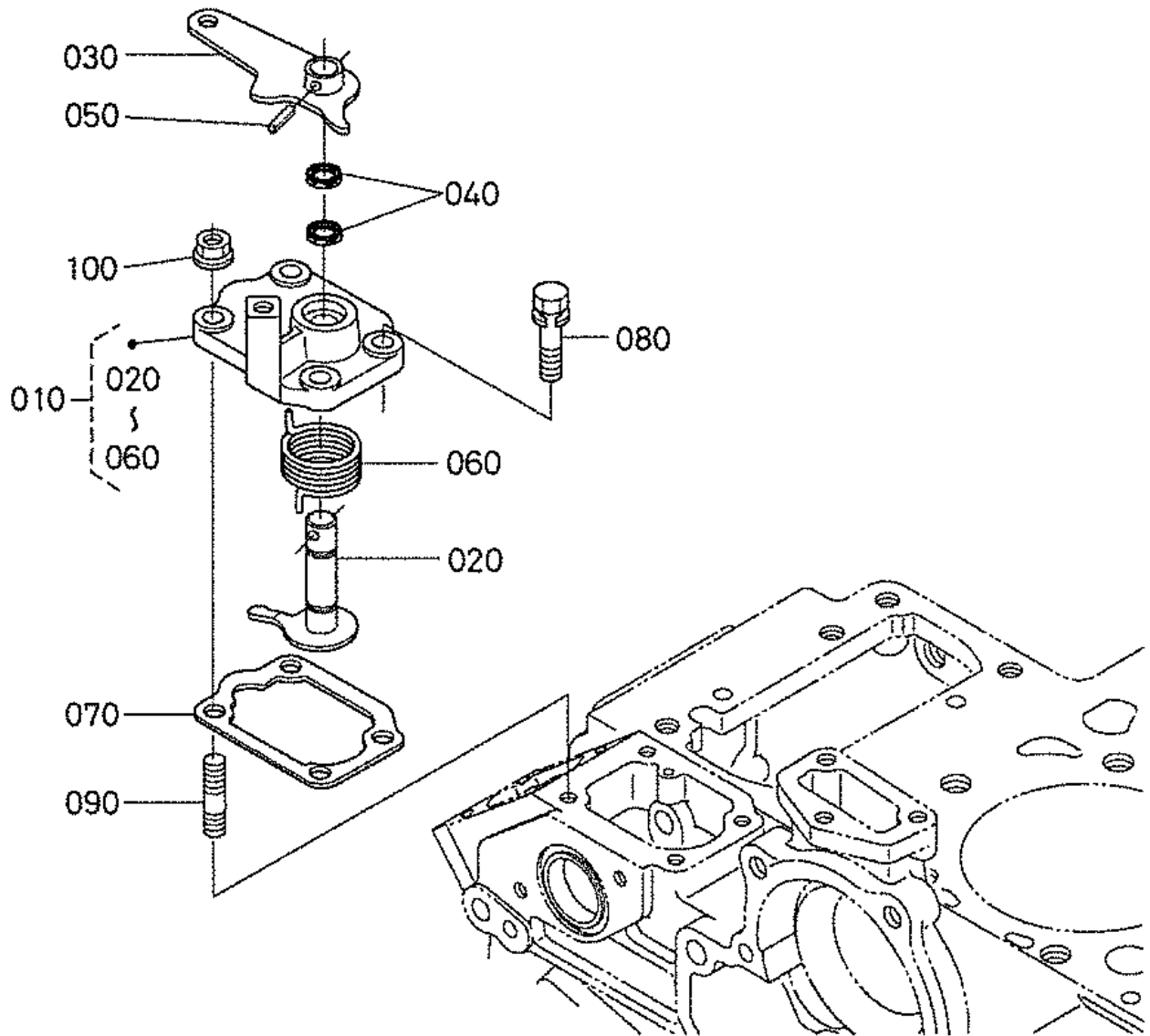
**IDLE APPARATUS**





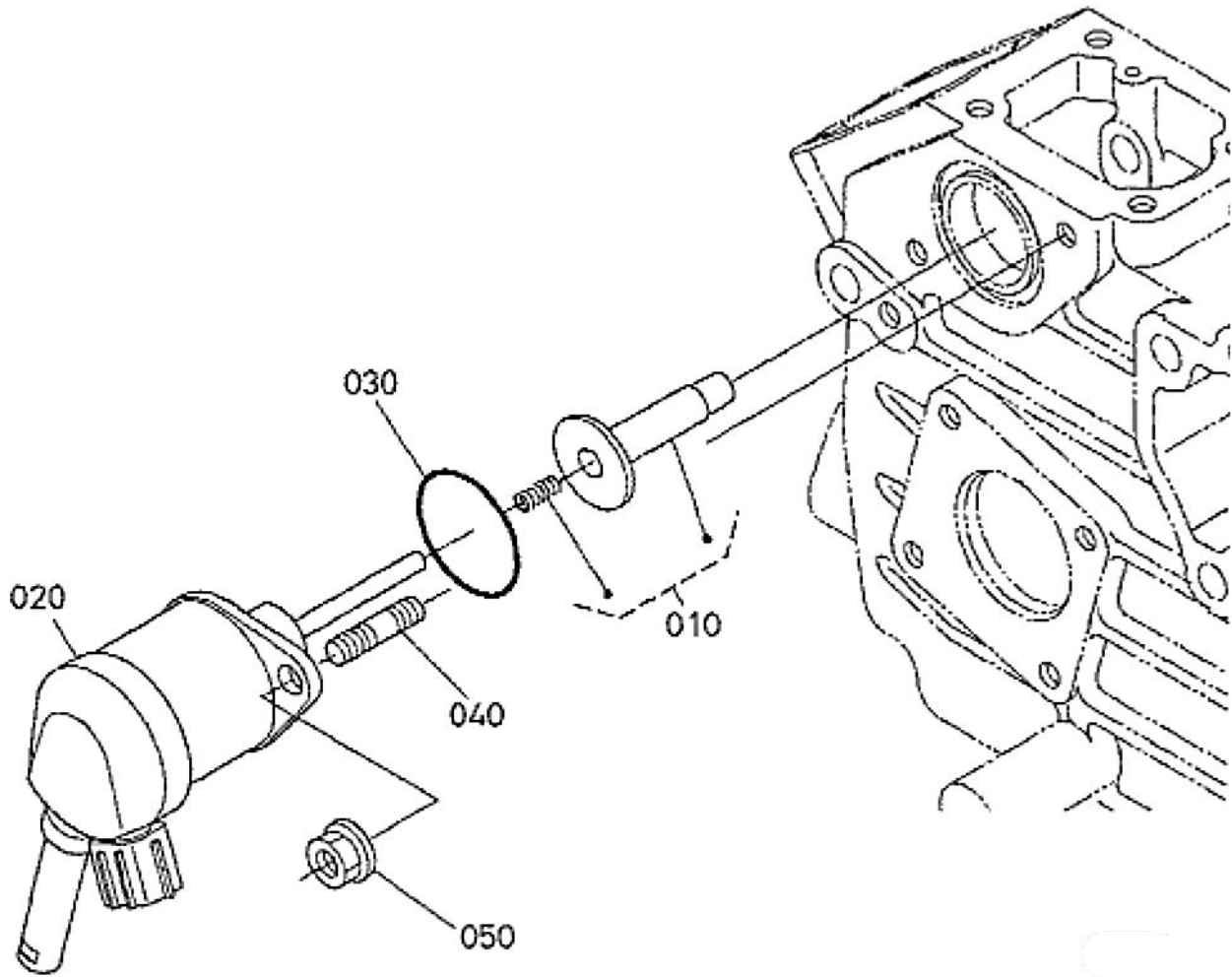


**ENGINE STOP LEVER**



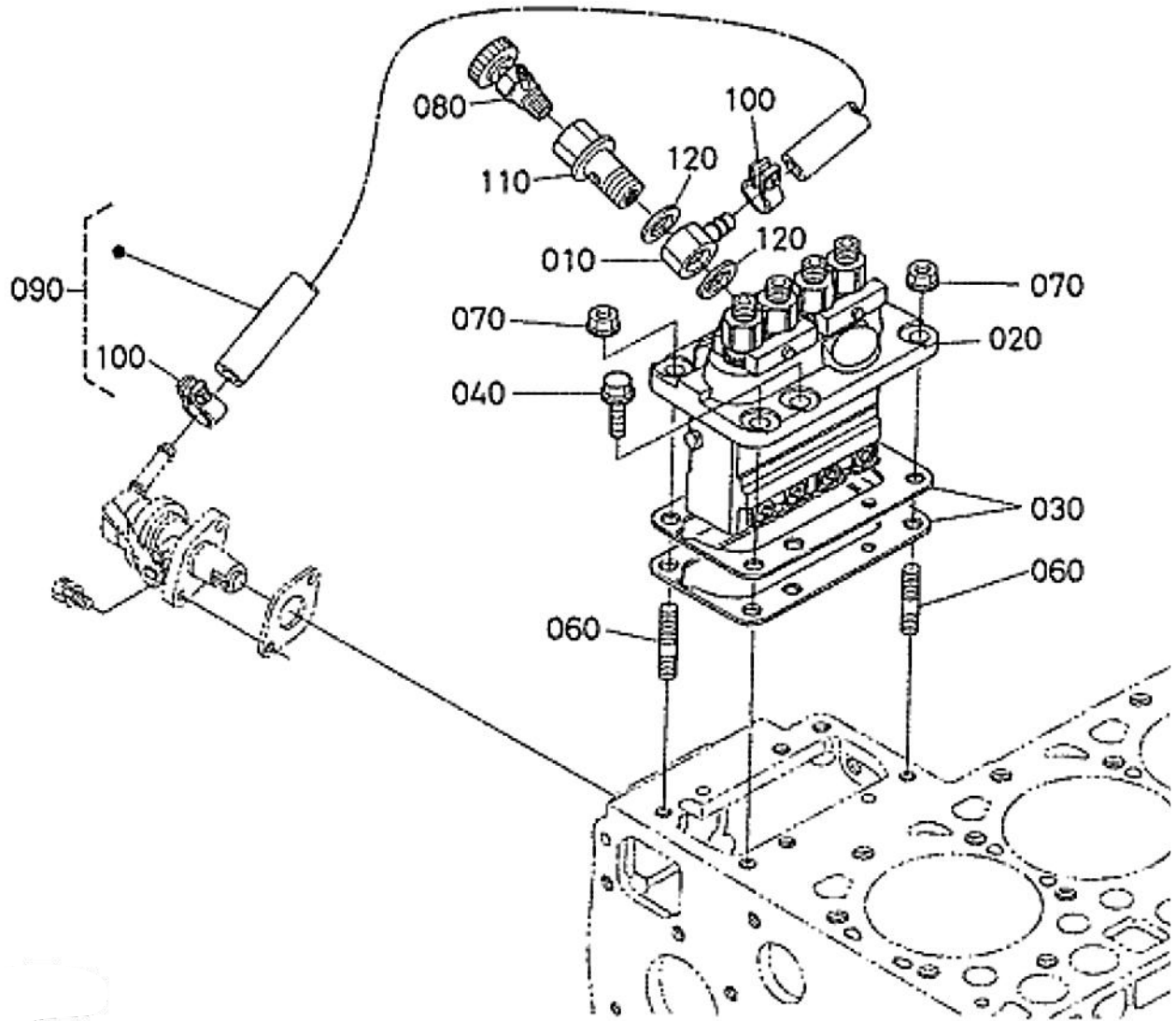


**STOP SOLENOID**



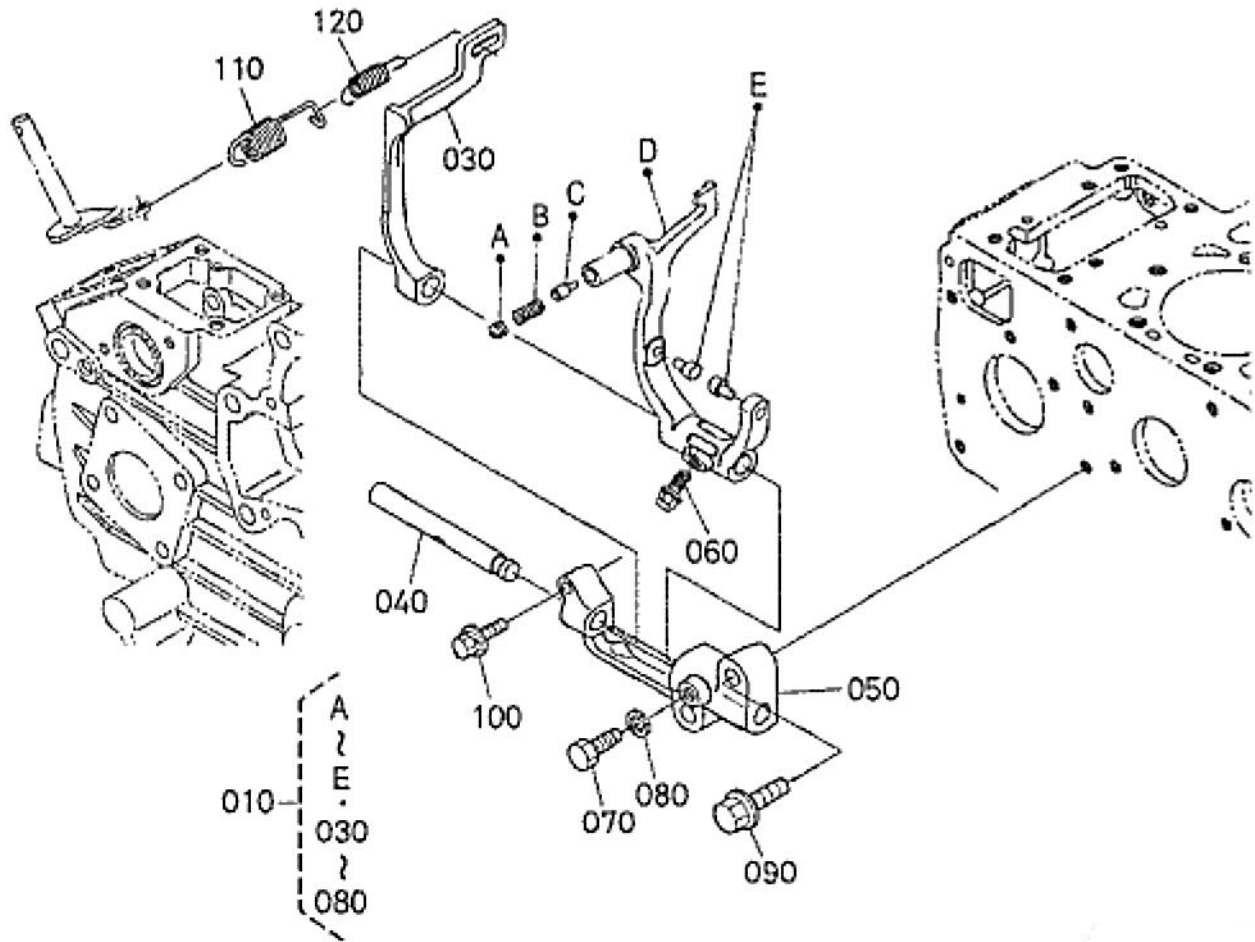


**INJECTION PUMP**





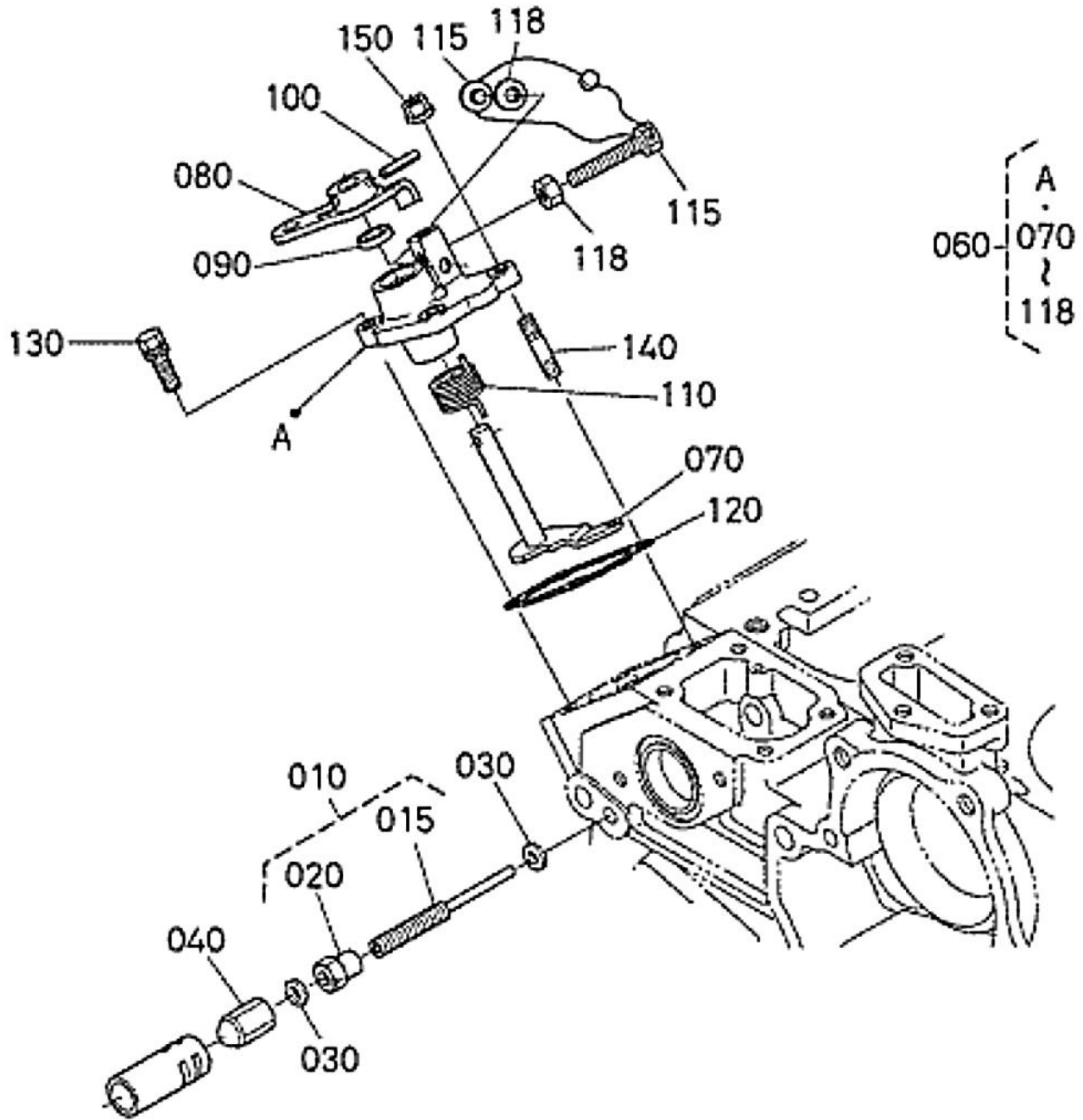
**GOVERNOR**







**SPEED CONTROL PLATE**



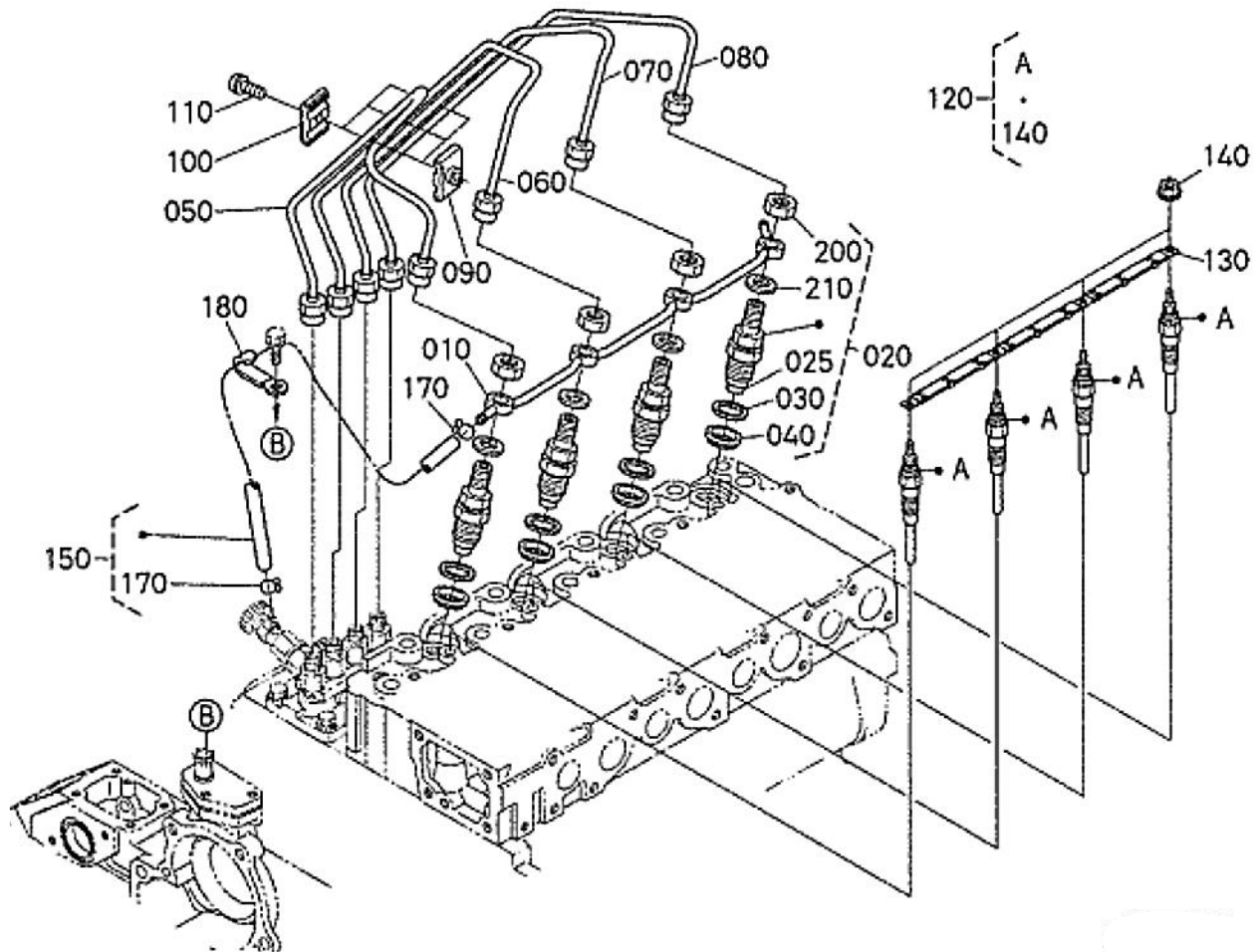


**Inc. BC3-6000 3 Wheel Field Loader**

**SPEED CONTROL PLATE**

ITEM	PART	DESCRIPTION	QTY	MODEL Or SERIAL #
010	097-00296	ASSY BOLT, ADJUSTMENT	1	
015	097-00993	BOLT, ADJUSTING	1	
020	097-00297	NUT	1	
030	097-00298	PACKING	2	
040	097-00299	NUT, CAP	1	
060	097-01037	ASSY PLATE, CONTROL	1	
070	097-00301	COP. LEVER, GOVERNOR	1	
080	097-00302	LEVER, SPEED CONTROL	1	
090	097-00966	SEAL, OIL	1	
100	097-00255	PIN, SPRING	1	
110	097-00256	SPRING, RETURN	1	
115	097-00995	BOLT, IDLING ADJUST	2	
118	097-00114	HEX, NUT	2	
120	097-00257	GASKET, PLATE	1	
130	097-00258	BOLT, SEMS	2	
140	097-00259	STUD	2	
150	097-00260	NUT, FLANGE	2	

**NOZZLE HOLDER AND GLOW PLUG**



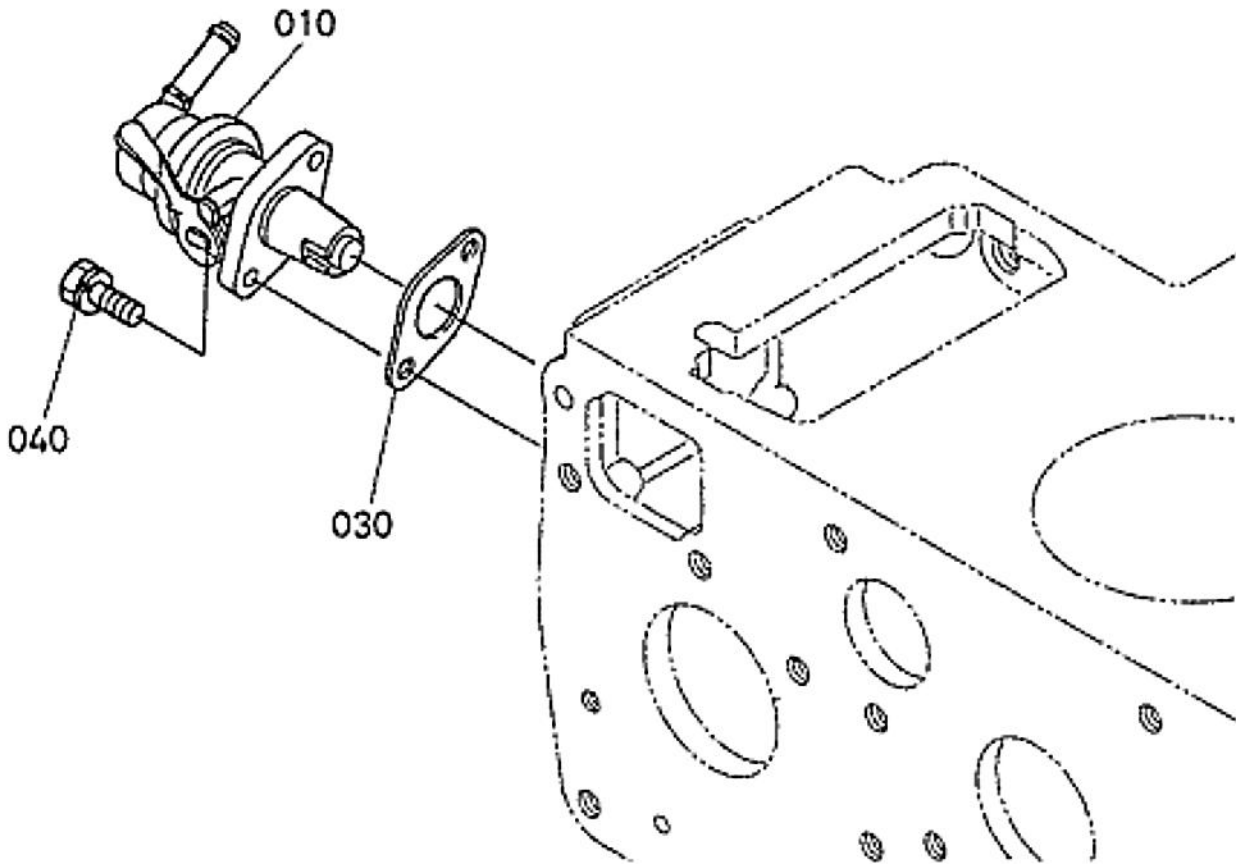


**Inc. BC3-6000 3 Wheel Field Loader**

**NOZZLE HOLDER AND GLOW PLUG**

ITEM	PART	DESCRIPTION	QTY	MODEL Or SERIAL #
010	097-00310	PIPE, ASSY (OVER FLOW)	1	
020	097-21015	KIT HOLDER, NOZZLE	4	
025	097-00946	PIECE, NOZZLE	4	
030	097-00316	GASKET	4	
040	097-00317	SEAL HEAT	4	
050	097-01015	PIPE, INJECTION	1	
060	097-01016	PIPE, INJECTION	1	
070	097-01017	PIPE, INJECTION	1	
080	097-01018	PIPE, INJECTION	1	
090	097-00322	CLAMP, PIPE	3	
100	097-00323	CLAMP, PIPE	3	
110	097-00324	SCREW, SEMS (PAN HEAD)	3	
120	097-01110	GLOW PLUG	4	
130	097-00326	CORD ( GLOW PLUG)	1	
140	097-00327	NUT, FLANGE	4	
150	097-01059	TUBE ASSY, FUEL	1	
170	097-00934	CLIP, PIPE	2	
180	097-00314	CLAMP, CORD	1	
200	097-01040	NUT	4	
210	097-00943	WASHER	4	

**FUEL PUMP (MECHANICAL)**



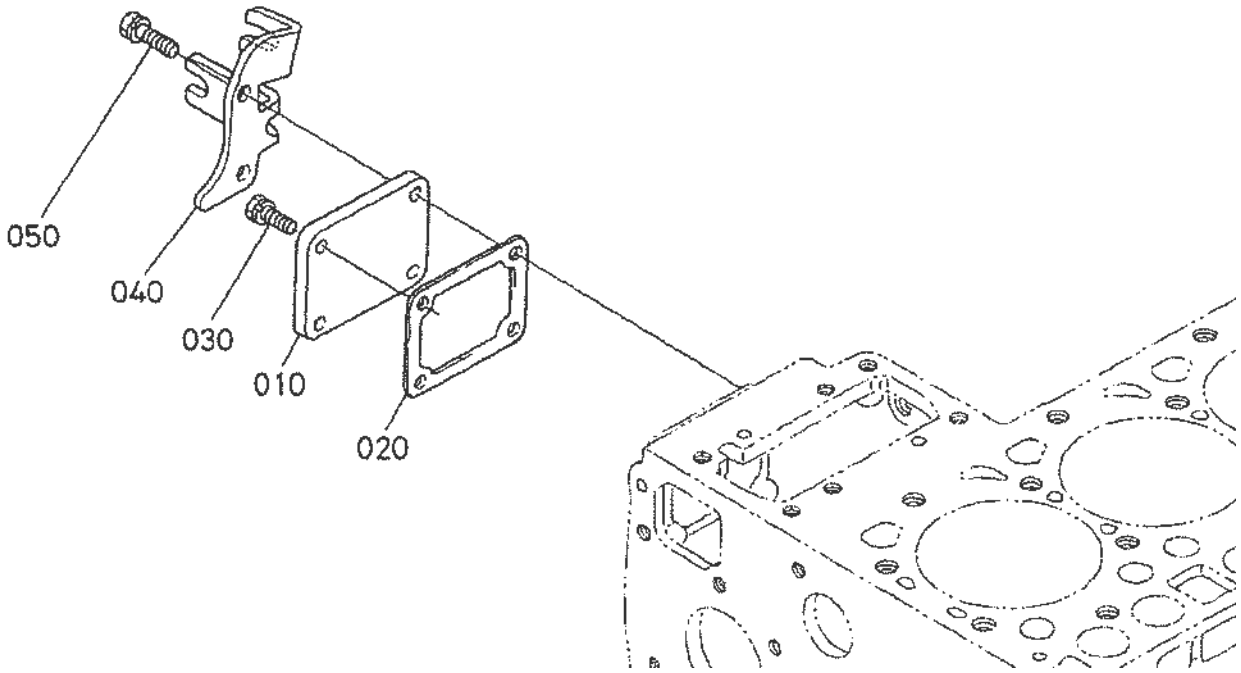


**BC3-6000 3 Wheel Field Loader**

**FUEL PUMP (MECHANICAL)**

<b>ITEM</b>	<b>PART</b>	<b>DESCRIPTION</b>	<b>QTY</b>	<b>MODEL Or SERIAL #</b>
010	097-21021	PUMP, ASSY (FUEL)	1	
030	097-00330	GASKET (FUEL PUMP)	1	
040	097-00280	BOLT, SEMS	2	

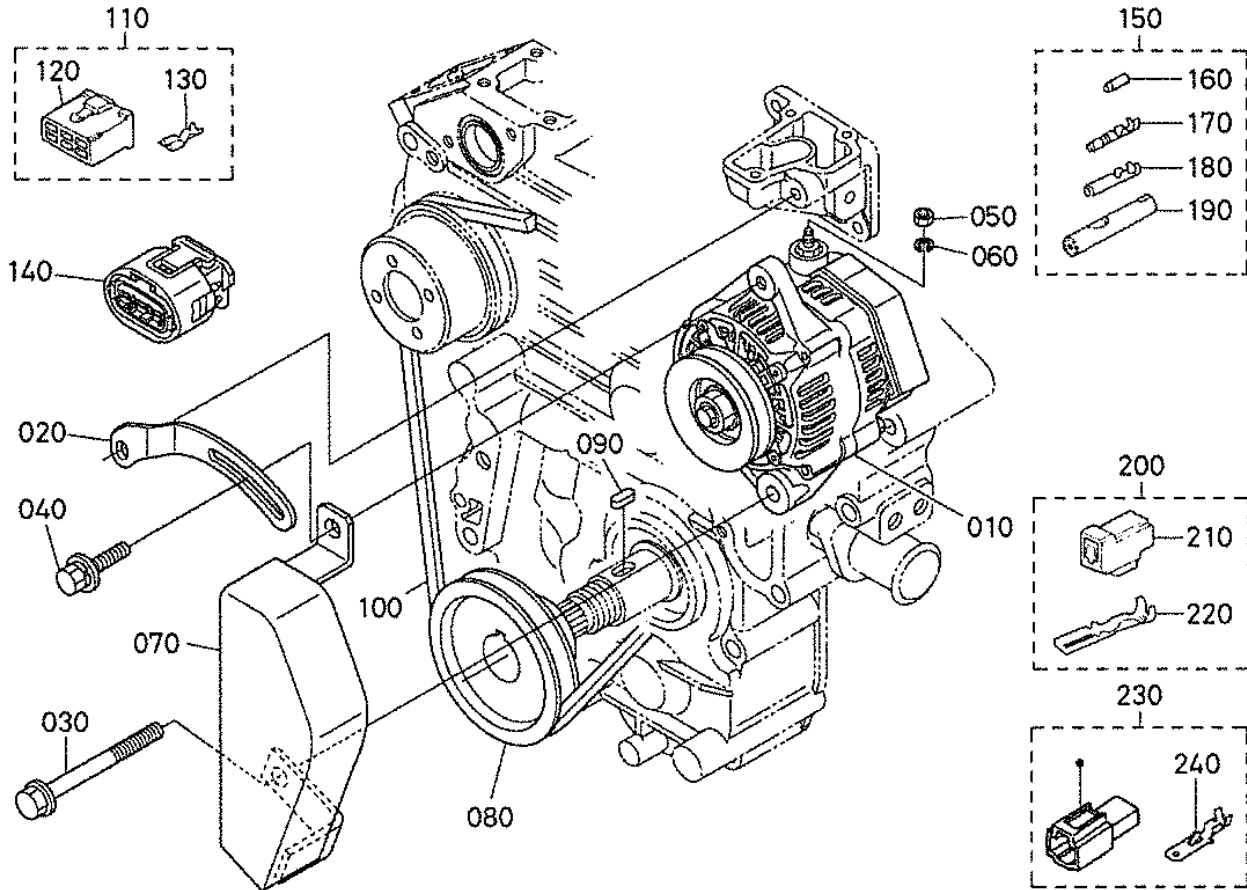
**COVER**







**ALTERNATOR AND PULLEY**



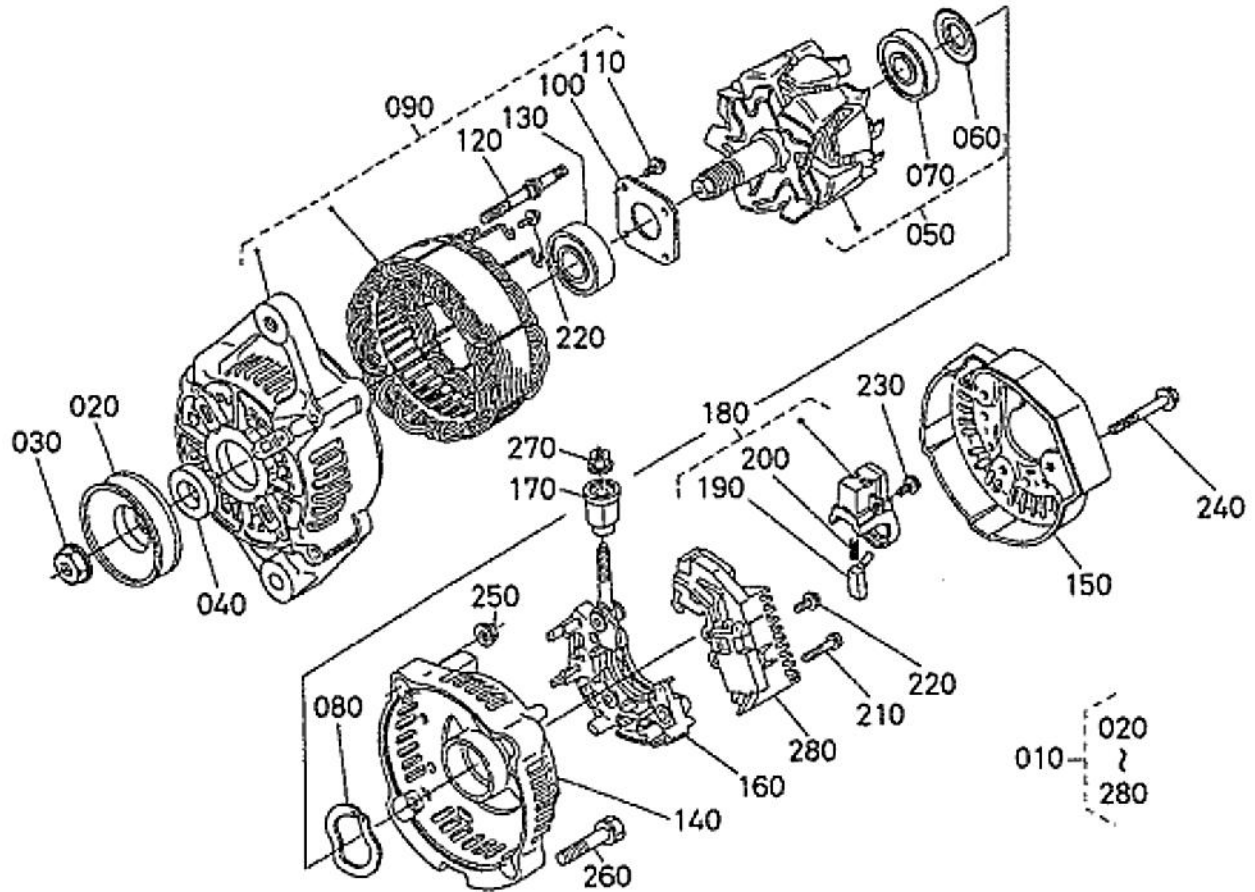


**BC3-6000 3 Wheel Field Loader**

**ALTERNATOR AND PULLEY**

ITEM	PART	DESCRIPTION	QTY	MODEL Or SERIAL #
010	097-00334	ASSY DYNAMO (12V - 40A)	1	<=7EMZ999
010	097-00953	ASSY DYNAMO (12V - 40A)	1	>=7EN0001
020	097-00335	STAY (DYNAMO)	1	
030	097-00918	BOLT, FLANGE	1	
040	097-00337	BOLT, W SEMS (LARGE WASHER)	1	
050	097-00338	HEX. NUT	1	
060	097-00923	WASHER, SPRING LOCK	1	
070	097-01021	COVER, ALTERNATOR	1	
080	097-00341	PULLEY, FAN DRIVE	1	
090	097-00342	KEY, FEATHER	1	
100	097-00343	BELT, COG (39.5in)	1	
110	097-00344	ASSY COUPLER, CONNec.	1	
120	097-00345	CONNECTOR	1	
130	097-00346	TERMINAL	5	
140	097-00347	ASSY CONNECTOR.2	1	
150	097-00350	ASSY TERMINAL	1	
160	097-00351	SLEEVE	1	
170	097-00352	TERMINAL)	1	
180	097-00353	TERMINAL)	1	
190	097-00354	SLEEVE	1	
200	097-00486	ASSY COUPLER, SOLENOID	1	
210	097-00487	CONNECTOR	1	
220	097-00488	TERMINAL	2	
230	097-00355	ASSY COUPLER	1	
240	097-00356	TERMINAL	1	

**ALTERNATOR (COMPONENT PARTS)**



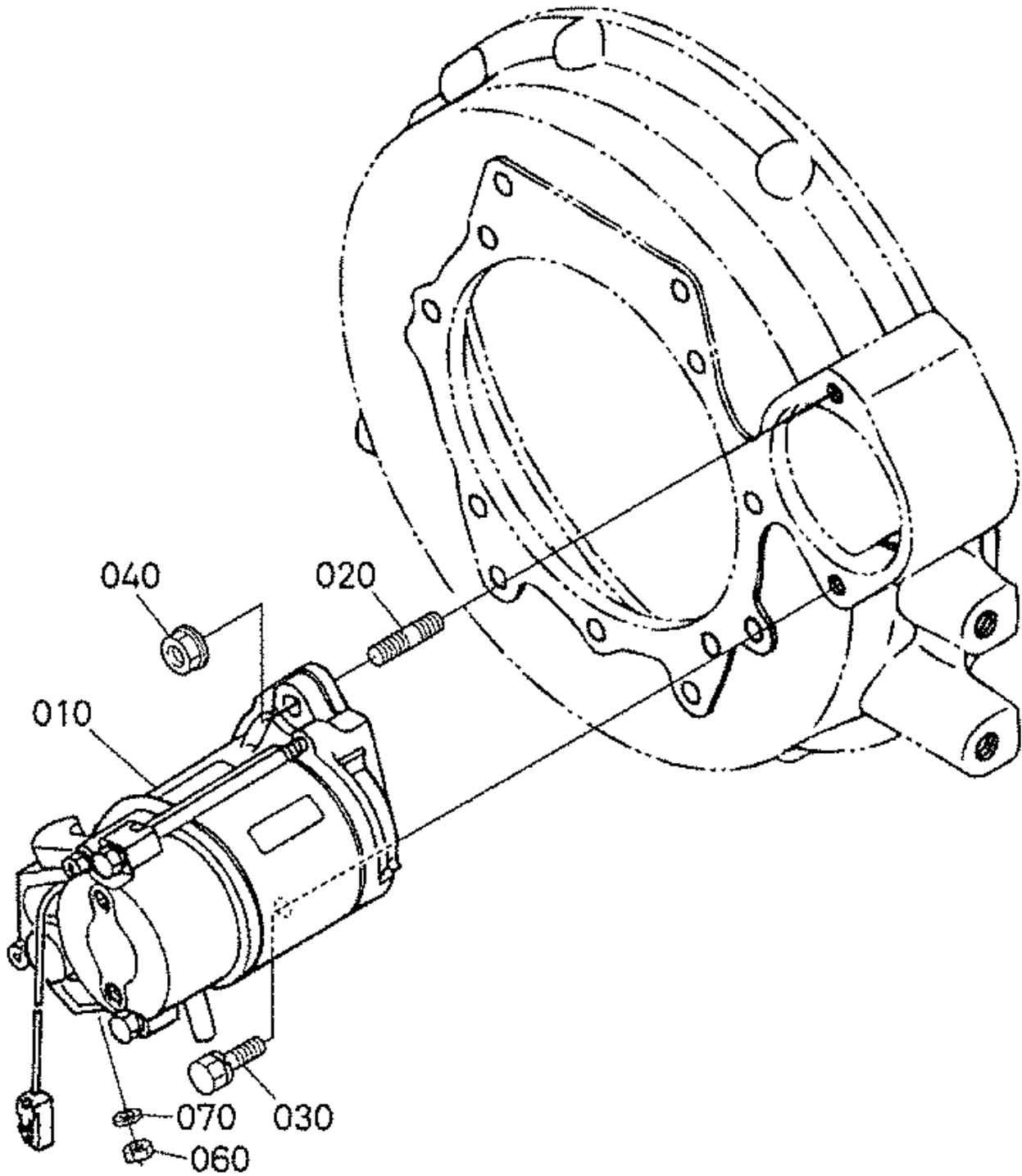


**Inc. BC3-6000 3 Wheel Field Loader**

**ALTERNATOR (COMPONENT PARTS)**

ITEM	PART	DESCRIPTION	QTY	MODEL Or SERIAL #
010	097-00357	ASSY DYNAMO	1	<=7EMZ999
010	097-00953	ASSY DYNAMO	1	>=7EN0001
020	097-00358	PULLEY, ALTERNATOR	1	
030	097-00359	NUT	1	
040	097-00360	COLLAR	1	
050	097-00361	ROTOR	1	
060	097-00362	COVER, BEARING	1	
070	097-00363	BEARING BALL	1	
080	097-00364	WASHER, THRUST	1	
090	097-00365	FRAME, ASSY (DRIVE END)	1	<=7EMZ999
090	097-00965	FRAME, ASSY (DRIVE END)	1	>=7EN0001
100	097-00366	PLATE, RETAINER	1	
110	097-00367	SCREW, ROUND HEAD	4	
120	097-00368	BOLT, THROUGH	2	
130	097-00369	BEARING BALL	1	<=73MZ999
130	097-00963	BEARING BALL	1	>=7EN0001
140	097-00949	FRAME END	1	
150	097-00371	COVER, END	1	
160	097-00372	ASSY RECTIFIER	1	
170	097-00373	BUSH, INSUALTION	1	
180	097-00963	HOLDER BRUSH	1	
190	097-00375	BRUSH	2	
200	097-00376	SPRING, BRUSH	2	
210	097-00377	SCREW, ROUND HEAD	2	
220	097-00378	SCREW, ROUND HEAD	6	
230	097-00379	SCREW, ROUND HEAD	1	
240	097-00380	BOLT	3	
250	097-00945	NUT	2	
260	097-00382	BOLT	2	
270	097-00383	NUT	1	
280	097-00384	ASSY REGULATOR	1	

**STARTER**



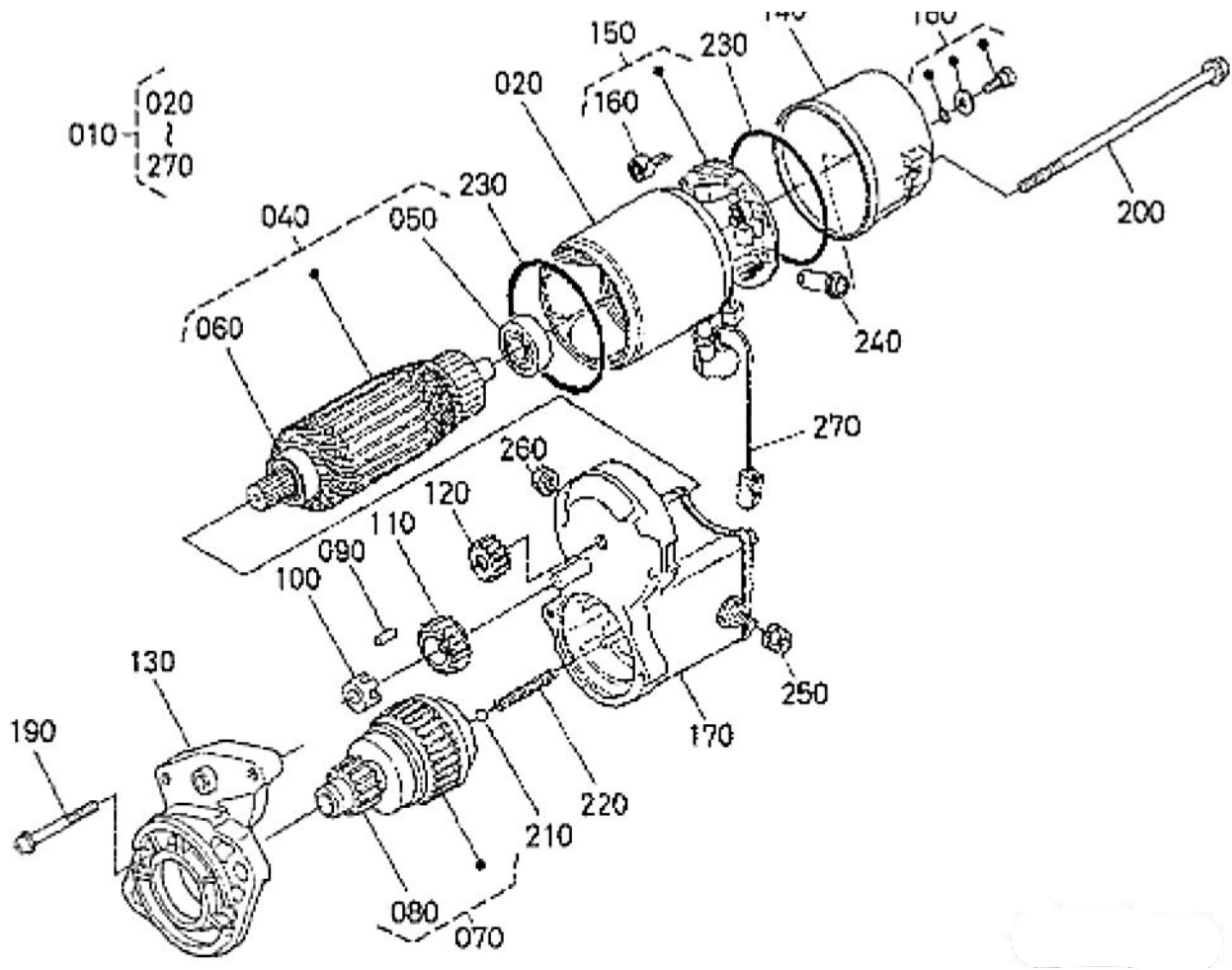


**BC3-6000 3 Wheel Field Loader**

**STARTER**

ITEM	PART	DESCRIPTION	QTY	MODEL Or SERIAL #
010	097-00985	ASSY STARTER (12V 2, OKW	1	
020	097-00386	BOLT, STUD	1	<=7DMZ999
020	097-00911	BOLT, STUD	1	>=7DN0001
030	097-00387	BOLT, SEMS	1	
040	097-00919	NUT, FLANGE	1	
060	097-00390	HEX. NUT	1	
070	097-00924	WASHER, SPRING LOCK	1	

**STARTER (COMPONENT PARTS)**





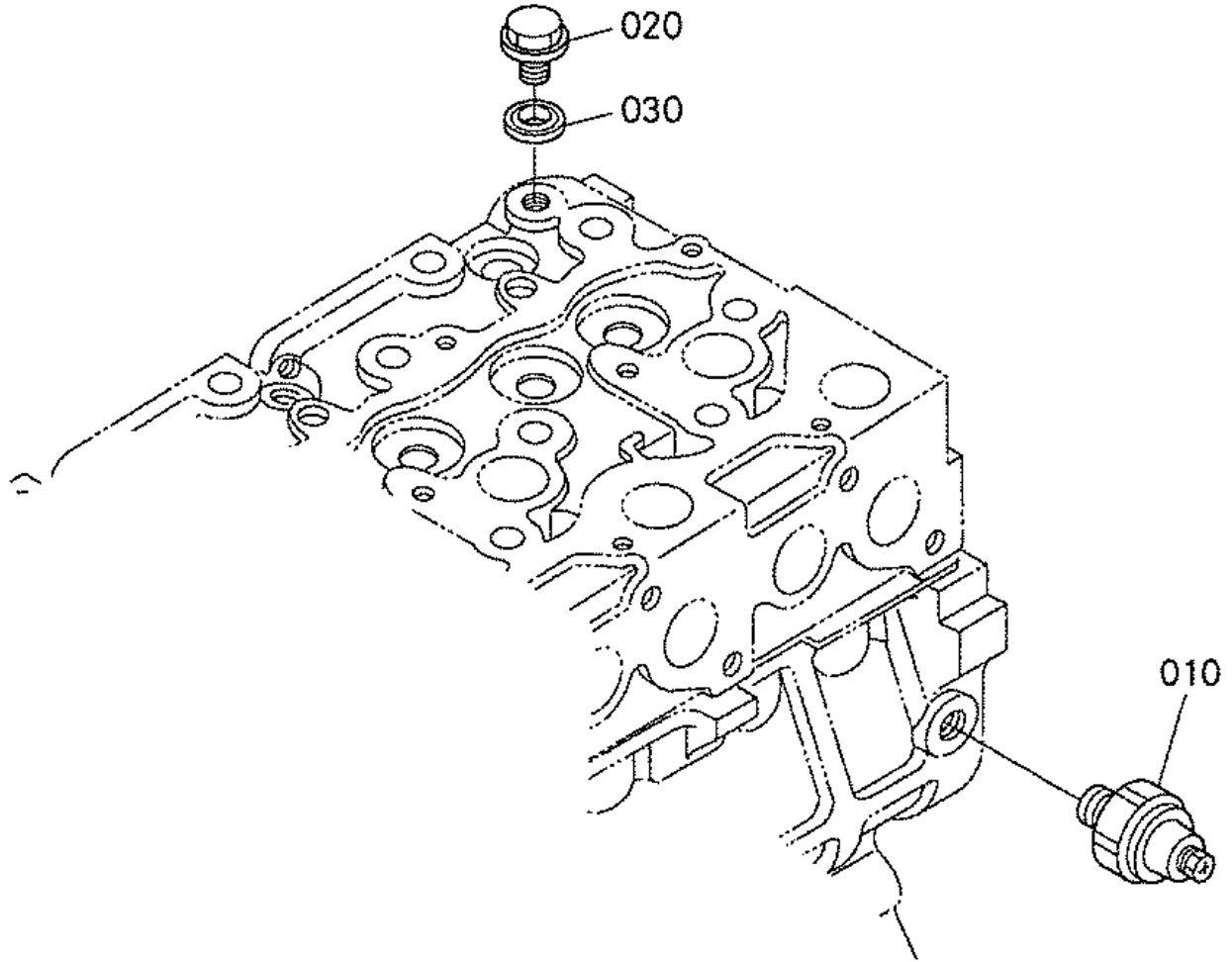


**BC3-6000 3 Wheel Field Loader**

**STARTER (COMPONENT PARTS)**

ITEM	PART	DESCRIPTION	QTY	MODEL Or SERIAL #
010	097-00985	ASSY STARTER	1	
020	097-00970	YOKE	1	
040	097-00969	ARAMATURE	1	
050	097-00976	BEARING	1	
060	097-00395	BEARING	1	
070	097-00968	CLUTCH (OVER RUNNING)	1	
080	097-00983	GEAR, PINION	1	
090	097-00406	ROLLER	5	
100	097-00405	RETAINER	1	
110	097-00404	GEAR	1	
120	097-00973	GEAR	1	
130	097-01119	FRAME, DRIVE END	1	
140	097-00972	FRAME, END	1	
150	097-00975	HOLDER, BRUSH	1	
160	097-00971	SPRING	4	
170	097-00986	ASSY SWITCH, MAGNETIC	1	
180	097-00977	SCREW	2	
190	097-00978	SCREW	2	
200	097-00974	BOLT, THROUGH	2	
210	097-00407	BALL	1	
220	097-00408	SPRING	1	
230	097-00410	O-RING	2	
240	097-00942	PIPE, DRAIN	1	
250	097-00930	NUT, HEXAGON	1	
260	097-00416	NUT, HEXAGON	1	
270	097-00417	CORD, STOP SOLENOID	1	

**OIL SWITCH AND PLUG**



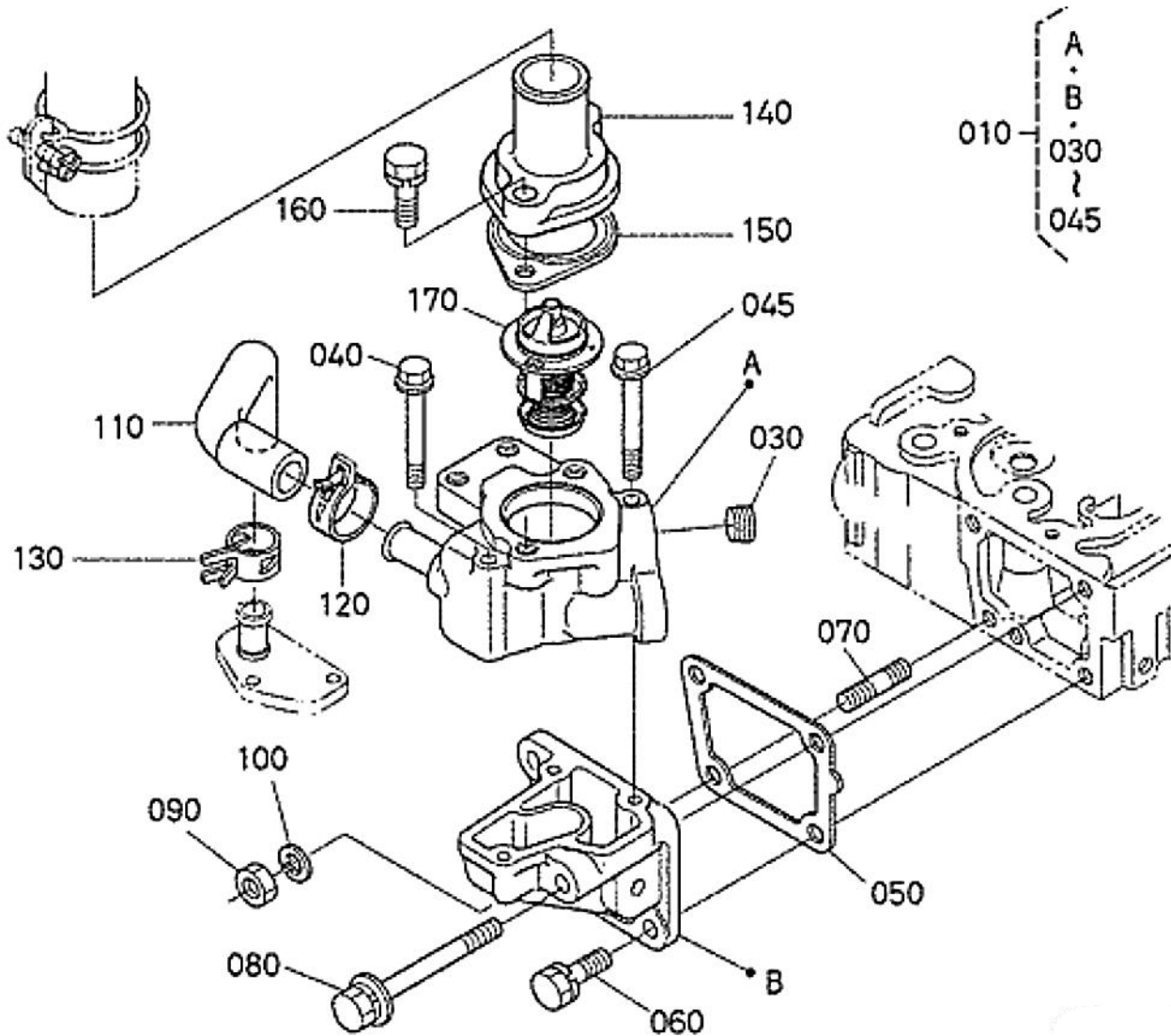


**BC3-6000 3 Wheel Field Loader**

**OIL SWITCH AND PLUG**

<b>ITEM</b>	<b>PART</b>	<b>DESCRIPTION</b>	<b>QTY</b>	<b>MODEL Or SERIAL #</b>
010	097-00421	SWITCH, OIL	1	
020	097-00419	PLUG	1	
030	097-00420	WASHER, SEAL	1	

**WATER FLANGE AND THERMOSTAT**



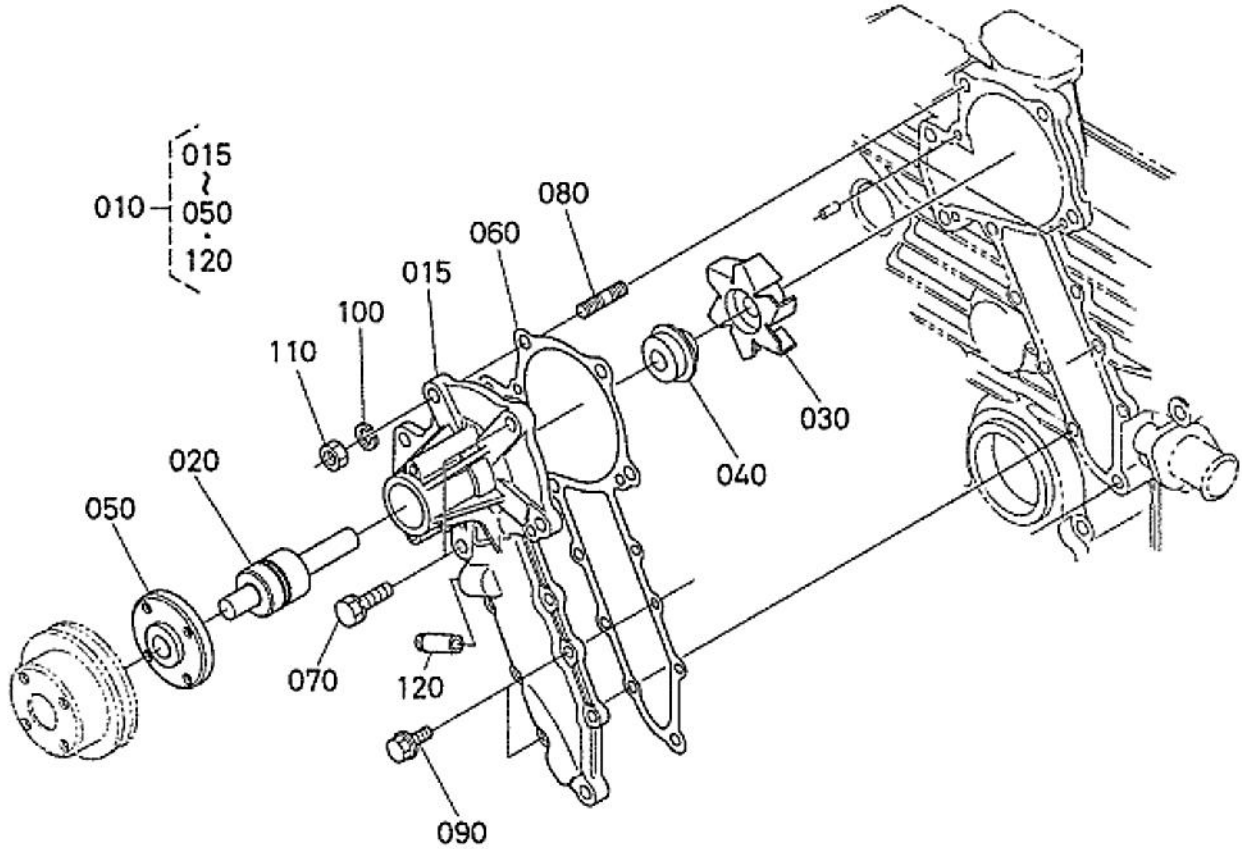


**Inc. BC3-6000 3 Wheel Field Loader**

**WATER FLANGE AND THERMOSTAT**

ITEM	PART	DESCRIPTION	QTY	MODEL Or SERIAL #
010	097-01038	COMP. FLANGE, WATER	1	
030	097-00425	PLUG	1	
040	097-00426	BOLT, FLANGE	2	
045	097-00427	BOLT, FLANGE	1	
050	097-00428	GASKET (FLANGE, WATER)	1	
060	097-00906	BOLT, SEMS	2	
070	097-00273	STUD	1	
080	097-00431	BOLT	1	
090	097-00432	HEX. HUT	1	
100	097-00924	WASHER, SPRING LOCK	1	
110	097-00434	PIPE, WATER RETURN	1	
120	097-00989	CLAMP, HOSE	1	
130	097-00436	BAND, HOSE	1	
140	097-00437	COVER (THERMOSTAT)	1	
150	097-00438	GASKET, THEMOSTAT	1	
160	097-00439	BOLT, SEMS	2	
170	097-00440	ASSY THERMOSTAT	1	

**WATER PUMP**



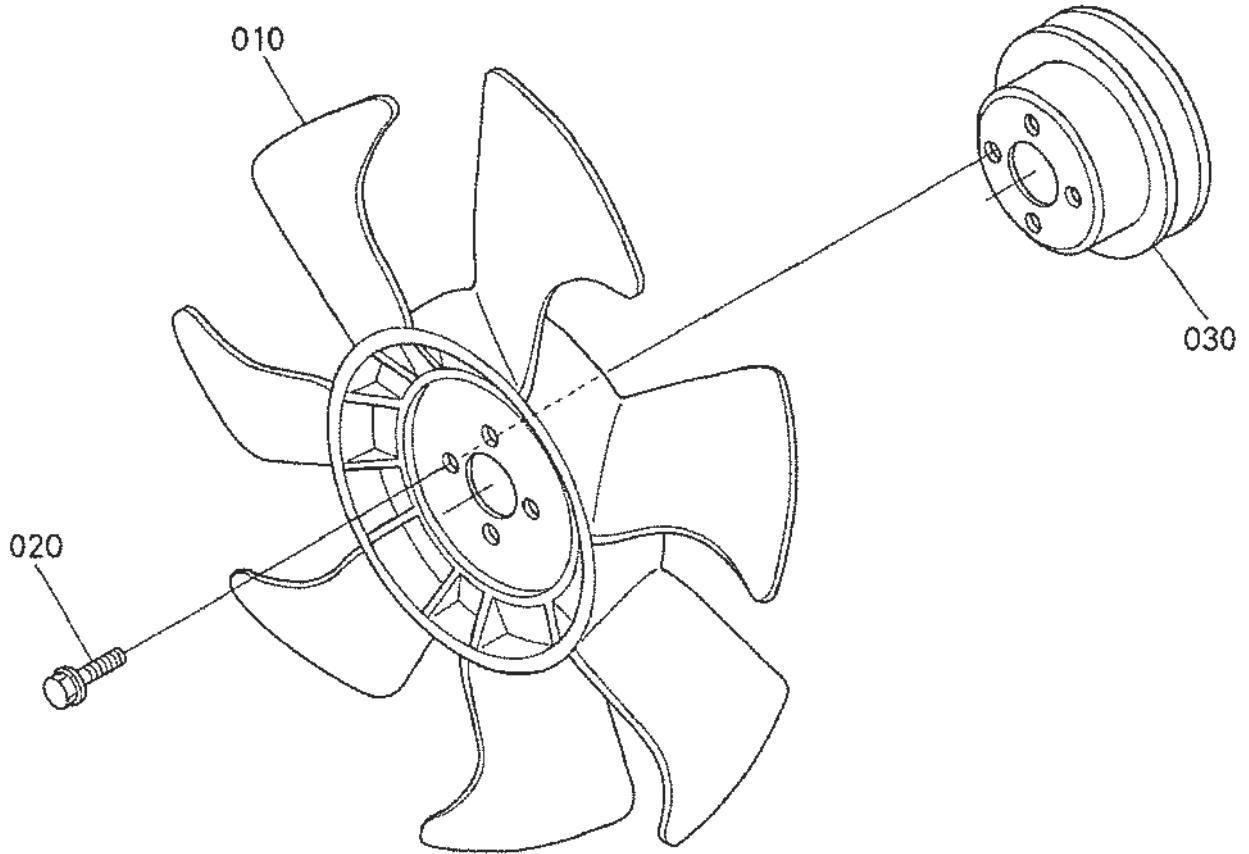


**Inc. BC3-6000 3 Wheel Field Loader**

**WATER PUMP**

ITEM	PART	DESCRIPTION	QTY	MODEL Or SERIAL #
010	097-01022	ASSY PUMP, WATER	1	
015	097-01031	BODY, WATER PUMP	1	
020	097-00964	BEARING	1	
030	097-00444	IMPELLER	1	
040	097-01026	ASSY SEAL, MECHANICAL	1	
050	097-00446	FLANGE (WATERPUMP SHAFT)	1	
060	097-00447	GASKET, WATER PUMP	1	
070	097-00448	BOLT, SEMS	2	
080	097-00449	BOLT, STUD	1	
090	097-00450	BOLT, SEMS	6	<=7DMZ999
090	097-00913	BOLT, FLANGE	6	>=7DN0001
100	097-00924	WASHER, SPRING LOCK	1	
110	097-00080	HEX. NUT	1	
120	097-00951	PIPE, WATER RETURN	1	

**FAN**





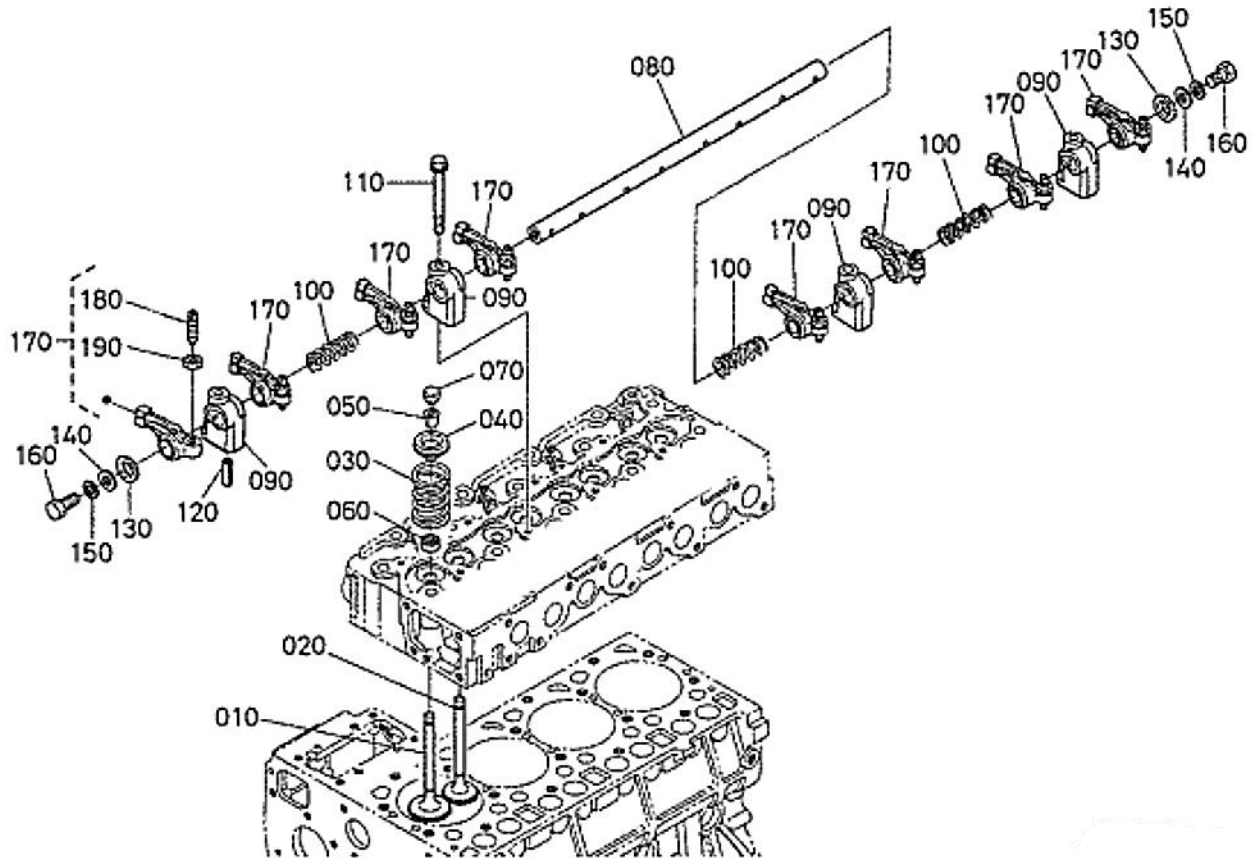


**BC3-6000 3 Wheel Field Loader**

**FAN**

<b>ITEM</b>	<b>PART</b>	<b>DESCRIPTION</b>	<b>QTY</b>	<b>MODEL Or SERIAL #</b>
010	097-00453	FAN	1	
020	097-00454	BOLT, FLANGE	4	
030	097-00455	PULLEY, FAN	1	

**VALVE AND ROCKER ARM**



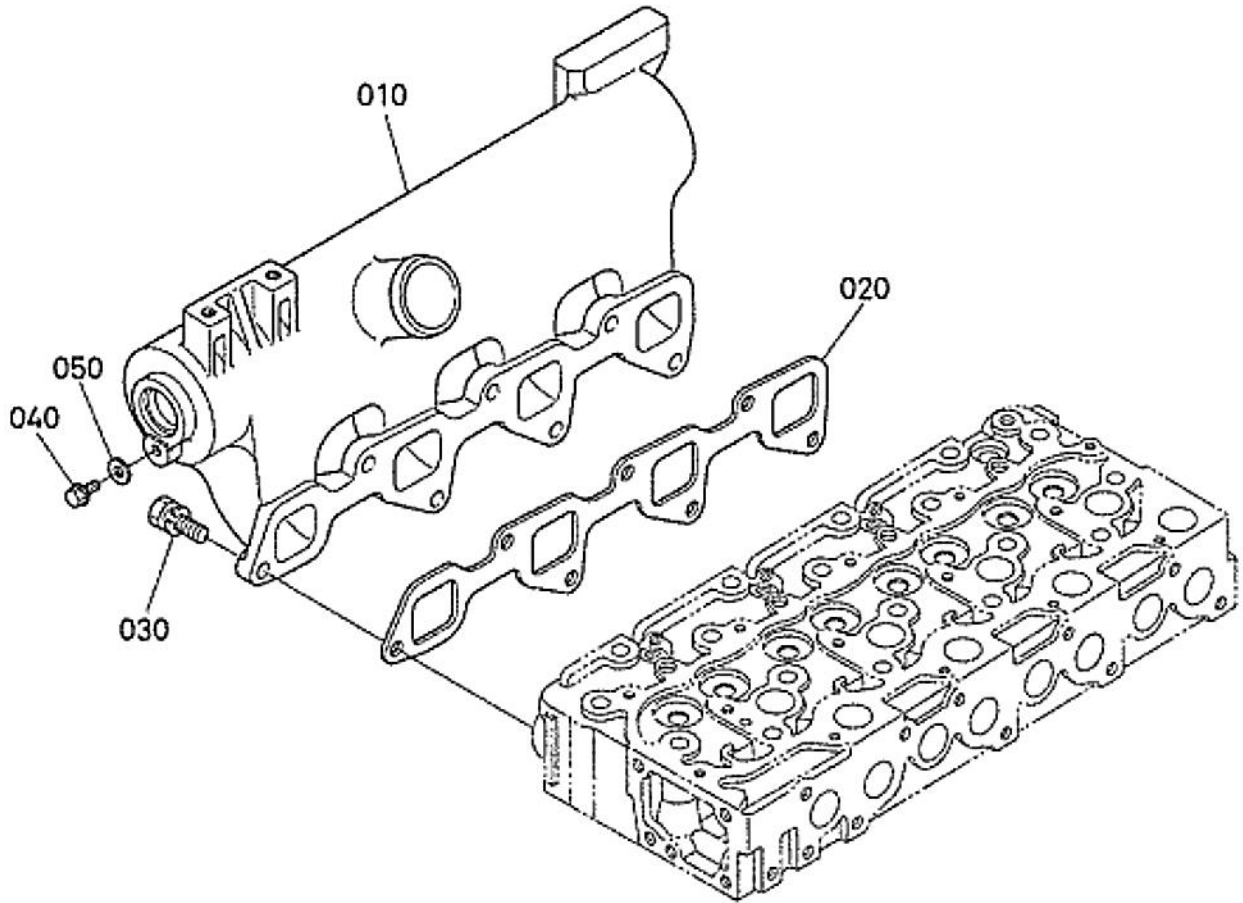


**BC3-6000 3 Wheel Field Loader**

**VALVE AND ROCKER ARM**

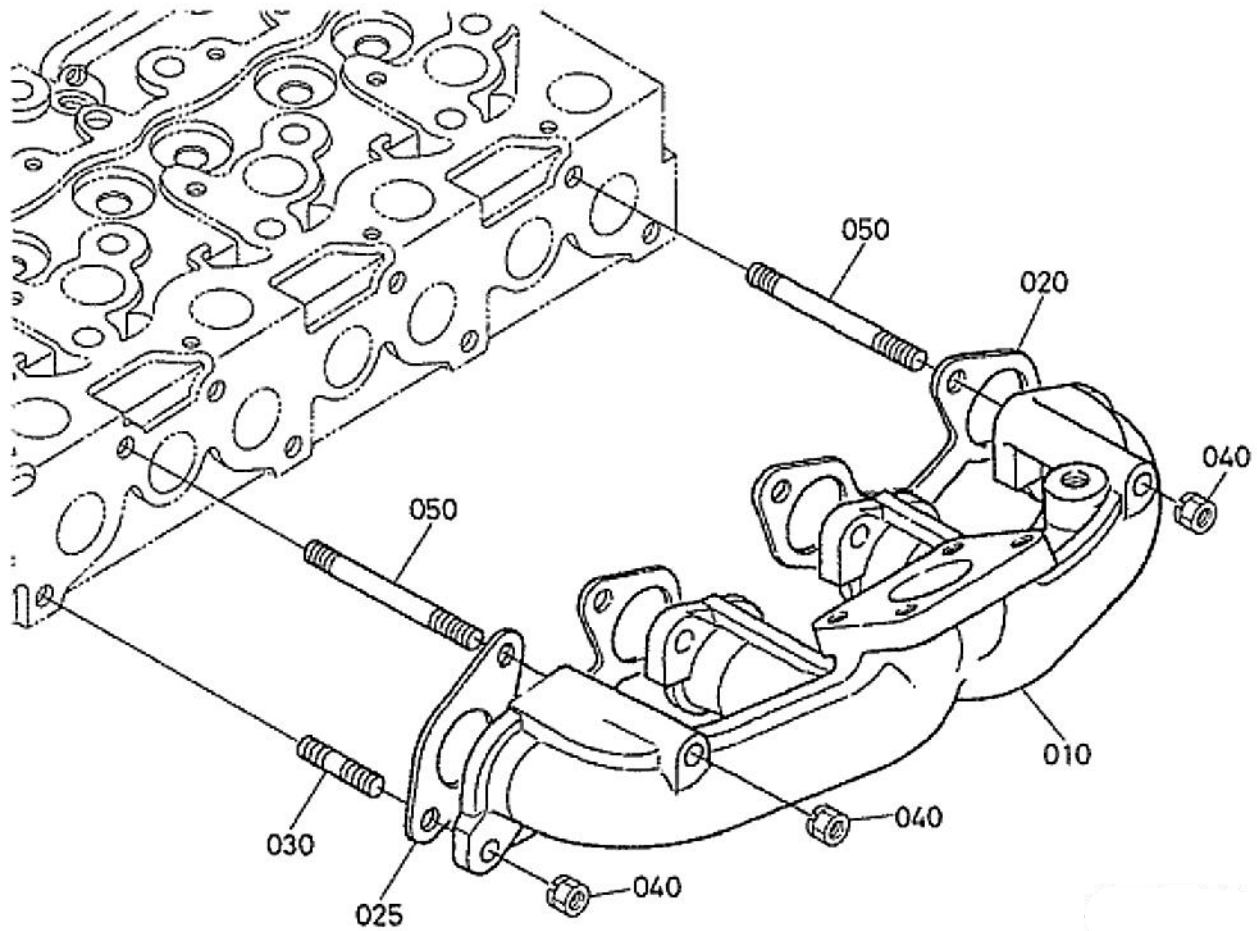
ITEM	PART	DESCRIPTION	QTY	MODEL Or SERIAL #
010	097-01065	VALVE, INLET	4	
020	097-01104	VALVE, EXHAUST	4	
030	097-01054	SPRING, VALVE	8	
040	097-00459	RETAINER, VALVE SP	8	
050	097-00460	COLLET, VALVE SPRING (SET)	8	
060	097-00461	SEAL (VALVE STEM)	8	
070	097-01055	CAP (VALVE)	8	
080	097-00463	SHAFT (ROCKER ARM)	1	
090	097-00932	BRACKET, ROCKER ARM	4	
100	097-00465	SPRING ( ARM, ROCKER)	3	
110	097-00466	BOLT, FLANGE	4	
120	097-00467	SPRING PIN	1	
130	097-00468	WASHER,R. ARM SHAFT	2	
140	097-00921	WASHER, PLAIN	2	
150	097-00924	WASHER, SPRING LOCK	2	
160	097-00471	HEX. BOLT	2	
170	097-00472	ARM, ROCKER, ASSY	8	
180	097-01057	SCREW	8	
190	097-00474	NUT	8	

**INLET MANIFOLD**



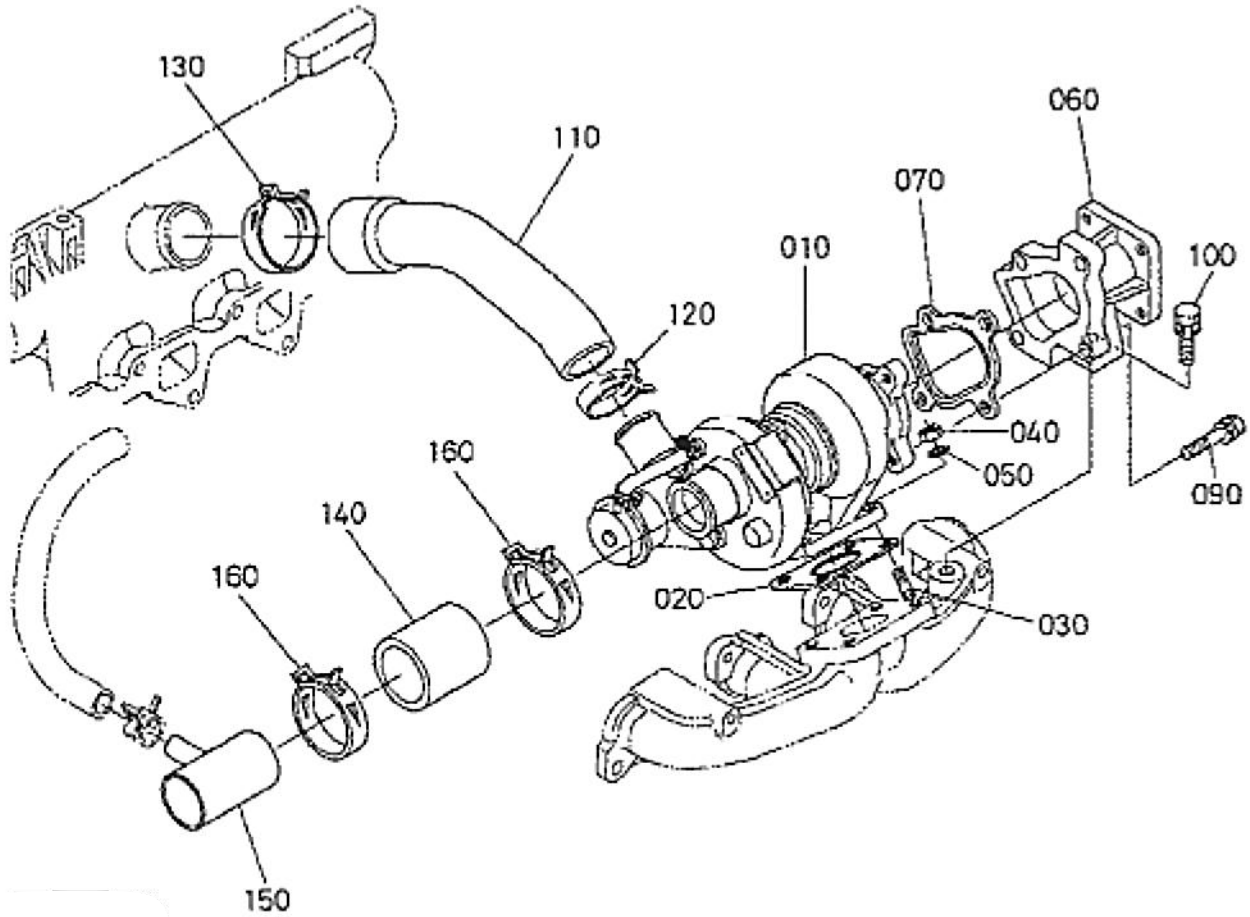


**EXHAUST MANIFOLD**





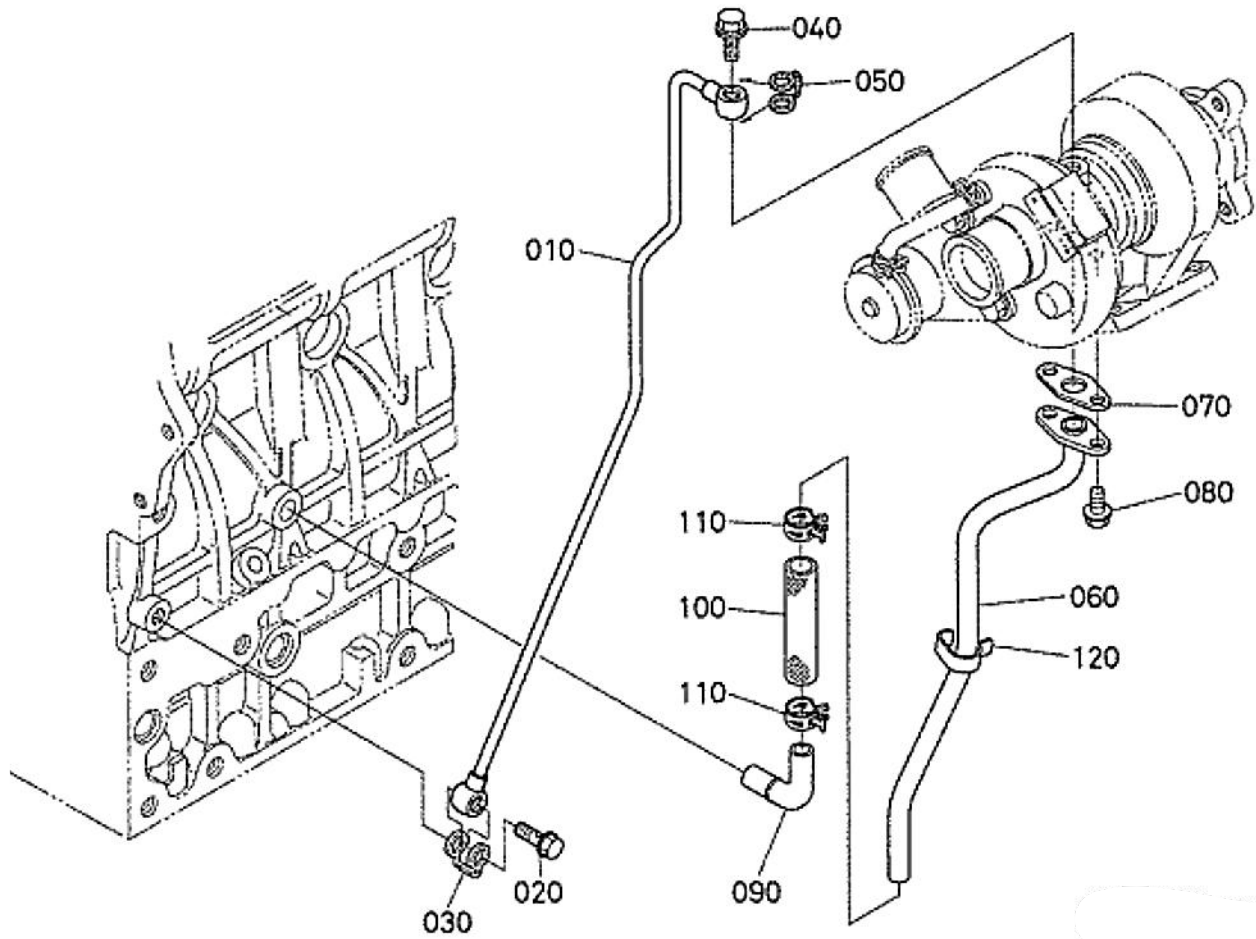
**TURBO CHARGER**





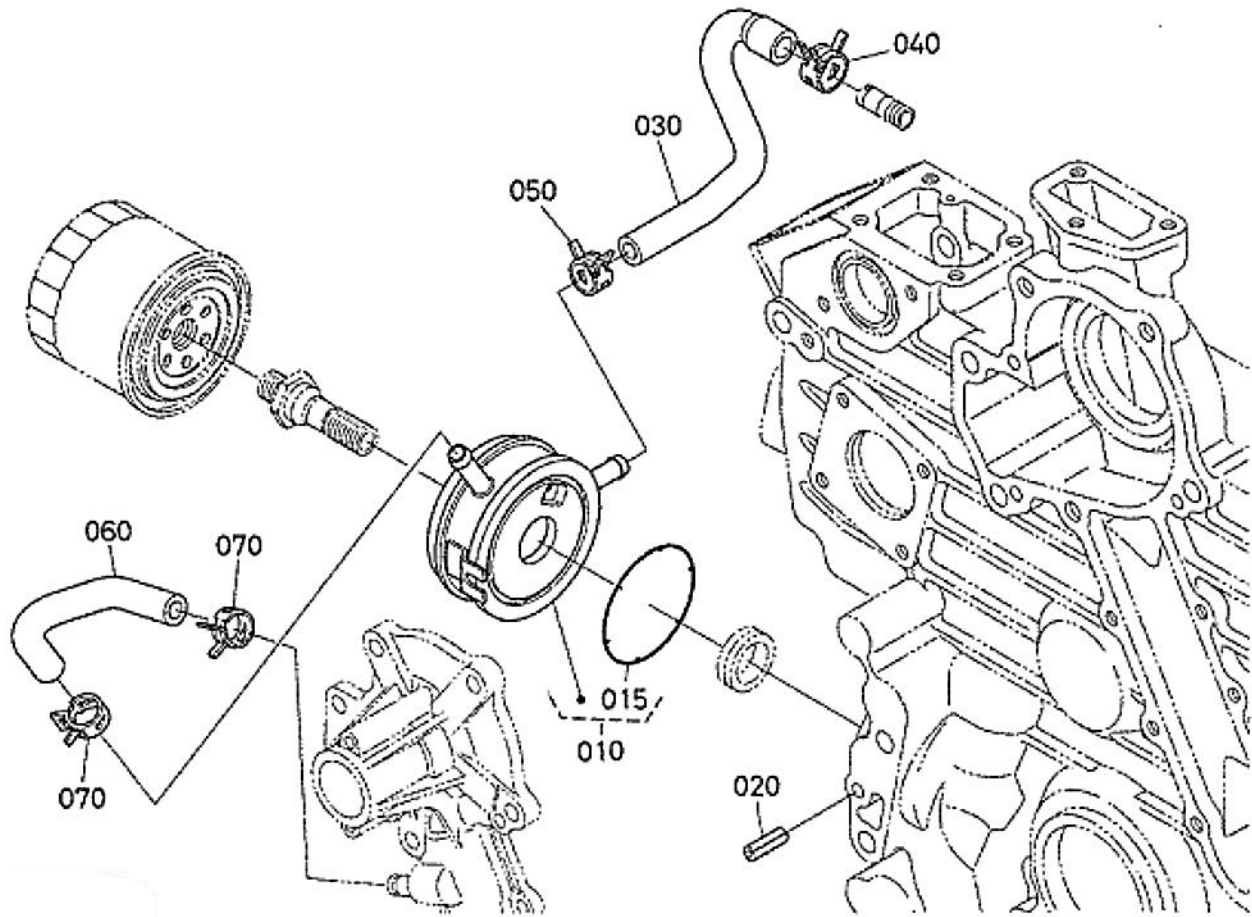


**OIL PIPE (TURBO CHARGER)**



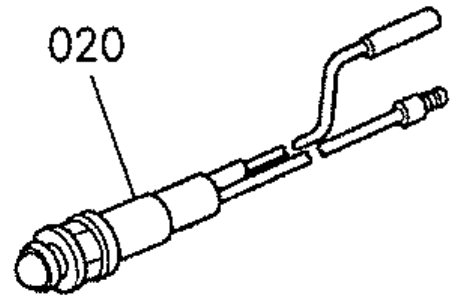
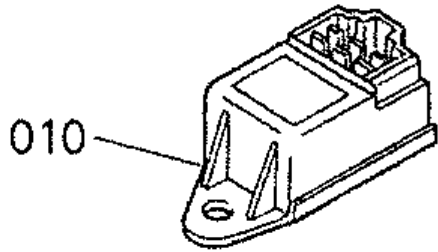


**OIL COOLER**





**GLOW LAMP AND TIMER**





**BC3-6000 3 Wheel Field Loader**

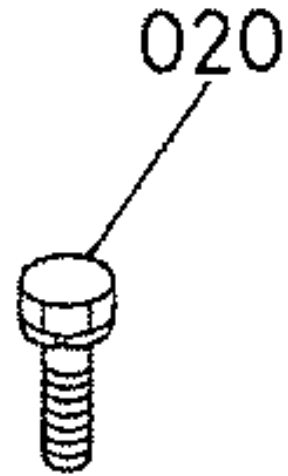
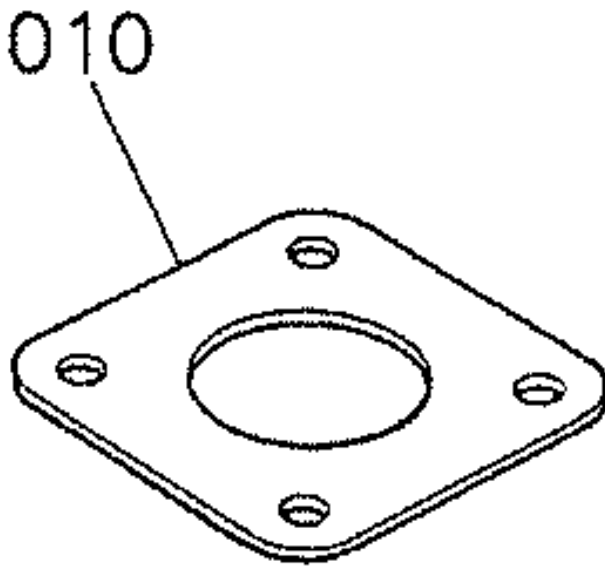
**GLOW LAMP AND TIMER**

<b>ITEM</b>	<b>PART</b>	<b>DESCRIPTION</b>	<b>QTY</b>	<b>MODEL Or SERIAL #</b>
010	097-00484	TIMER (GLOW LAMP)	1	
020	097-00485	LAMP, INDICATOR	1	



Inc. **BC3-6000 3 Wheel Field Loader**

## ACCESSORIES AND SERVICE PARTS







**LABEL AND OPERATOR'S MANUAL**

