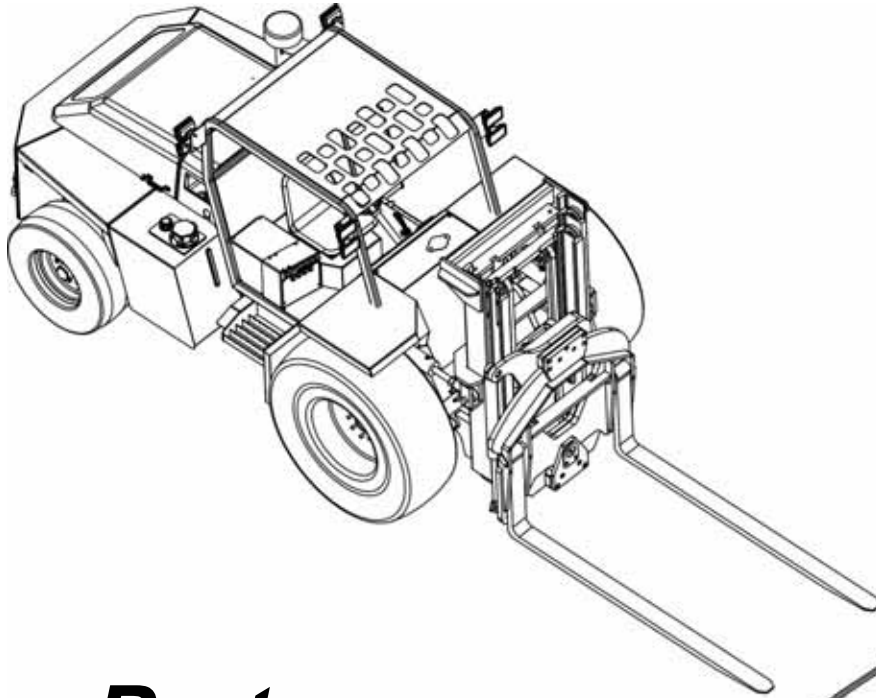
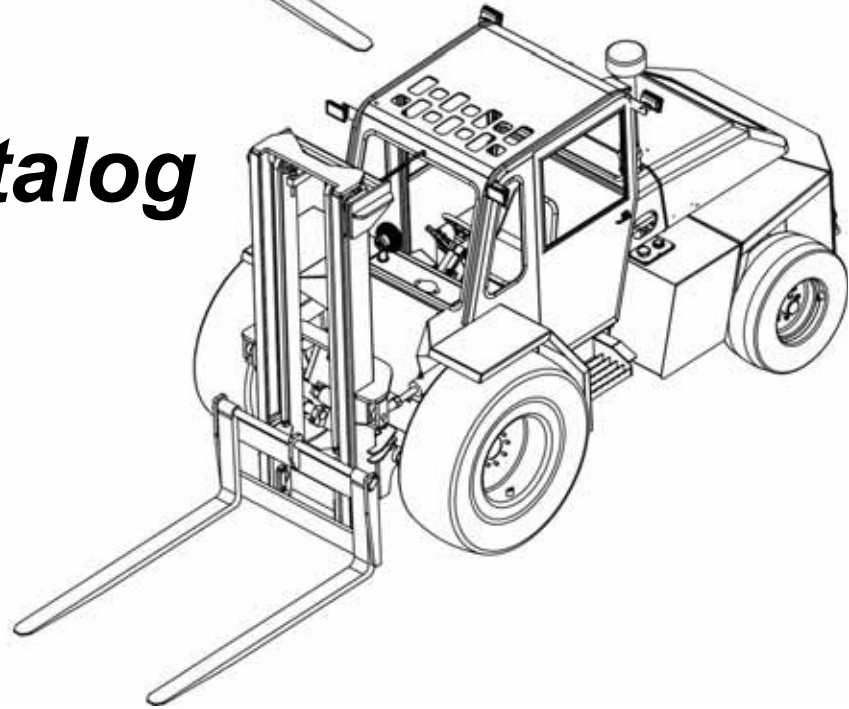




Bullet B260-H-F77B; B260-H-F81B & B260-H-F91B



Parts Catalog



Bright Coop Inc.

803 W. Seale St.

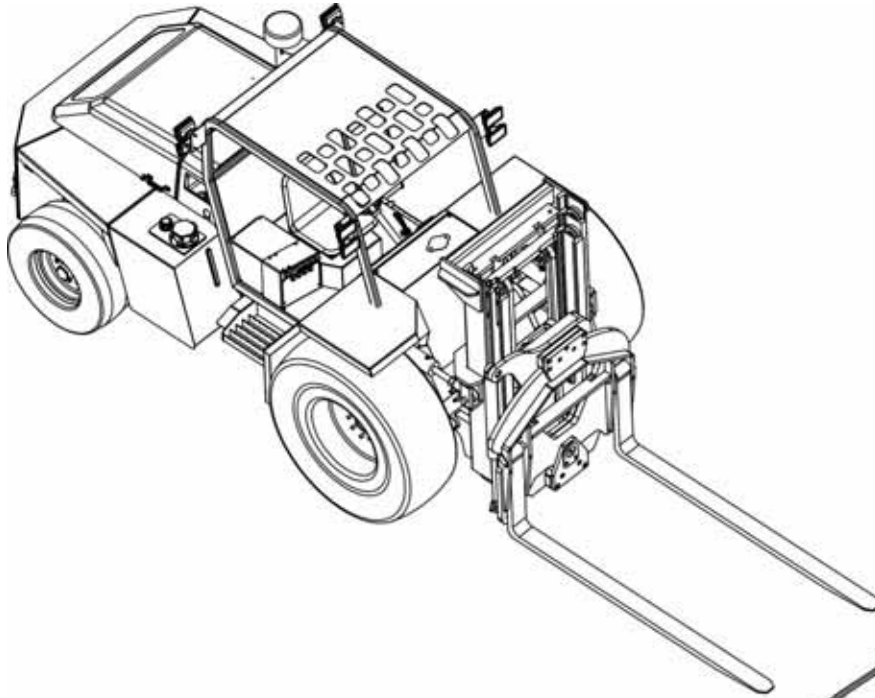
Nacogdoches, TX 75964

Phone (936) 564-8378 Fax (936) 564-3281

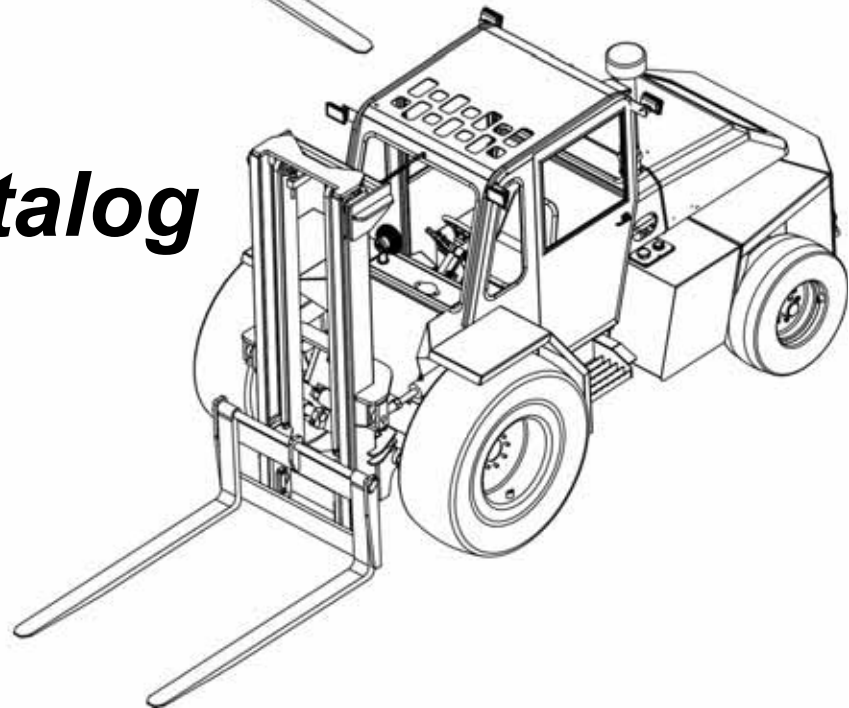
Info@brightcoop.com



Bullet B260-H-F77B; B260-H-F81B & B260-H-F91B



Parts Catalog



Bullet Parts Manual BC#098-01401
Bullet Operators Manual BC#098-01402

Bright Coop Inc.

803 W. Seale St.

Nacogdoches, TX 75964

Phone (936) 564-8378 Fax (936) 564-3281

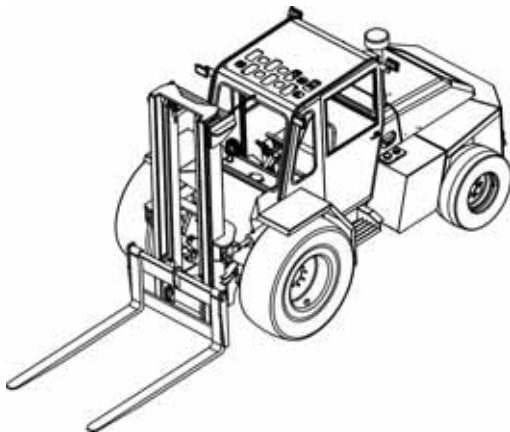
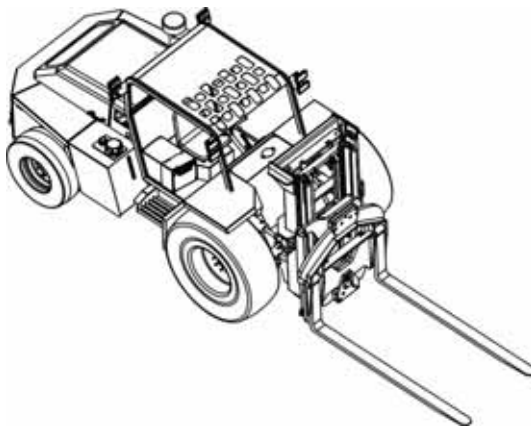
Info@brightcoop.com



Bullet B260-H-F77B; B260-H-F81B & B260-H-F91B

Tab Indexes

Parts Catalog



Bright Coop Inc.
803 W. Seale St.
Nacogdoches, TX 75964
Phone (936) 564-8378
Fax (936) 564-3281
Info@brightcoop.com

1	SECTION 1 CAB ASSEMBLY
2	SECTION 2 STEERING AXLE
3	SECTION 3 POWERTRAIN CIRCUITS
4	SECTION 4 FORKLIFT CIRCUITS
5	SECTION 5 TIRE GROUP
6	SECTION 6 DRIVE AXLE ASSEMBLY
7	SECTION 7 MAST & CARRIAGE
8	SECTION 8 HOODS, PANELS & CHAINS
9	SECTION 9 DECALS
10	SECTION 10 COMPONENT PARTS
11	SECTION 11 SCHEMATICS
12	SECTION 12 JD TIER III ENGINE PARTS



Bullet B260-H-F77B; B260-H-F81B & B260-H-F91B



Bullet B260-H-F77B; B260-H-F81B & B260-H-F91B

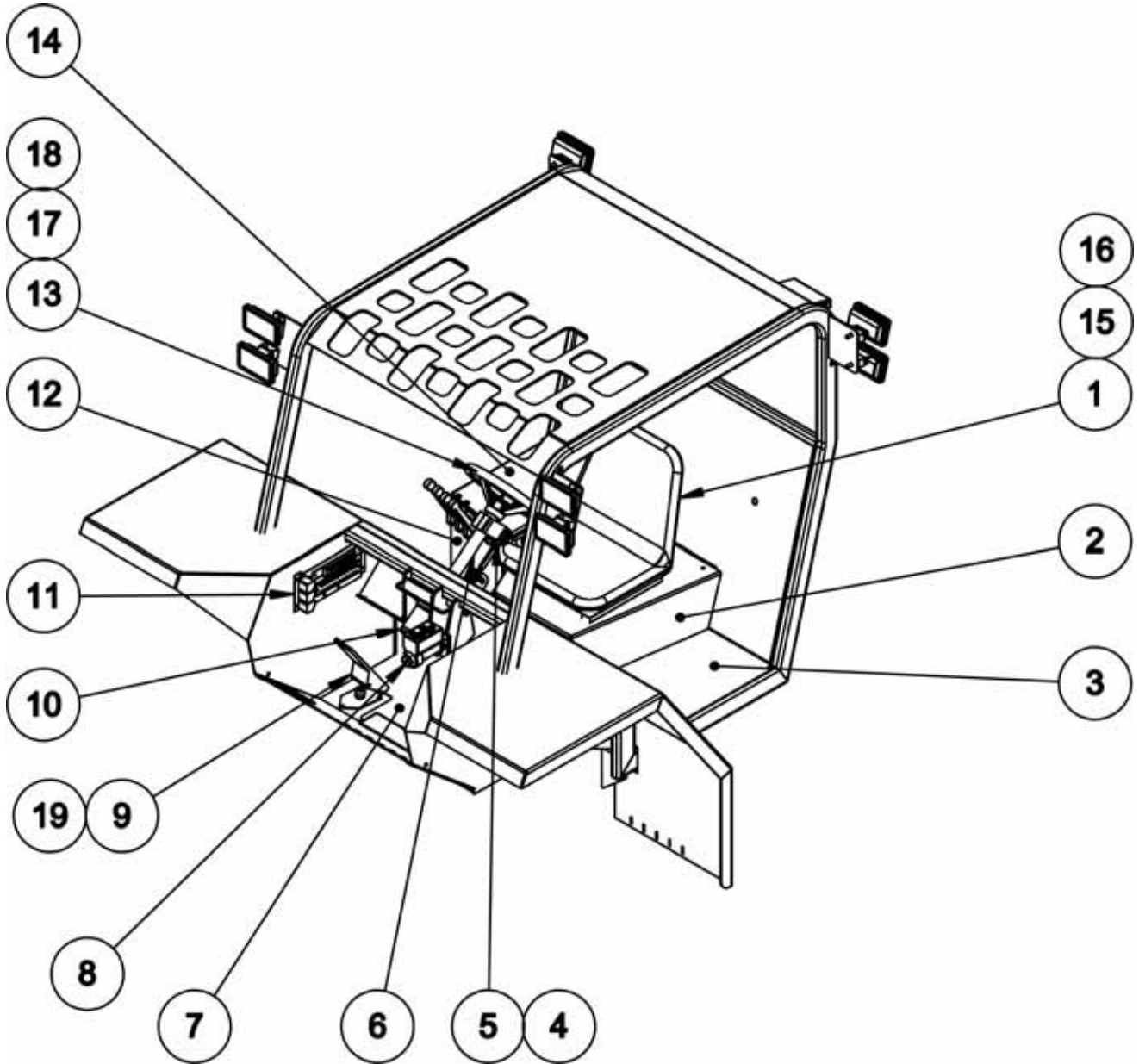
Section 1

CAB ASSEMBLY

Contents

CAB ASSEMBLY (FIELD LOADER) -----	2
CAB ASSEMBLY (BACK DOCK) -----	4
WINDOW INSTALLATION PARTS (BACK DOCK)-----	6

**CAB ASSEMBLY
(Field Loader) (098-15204)**





B260-H-F81B & B260-H-F77B

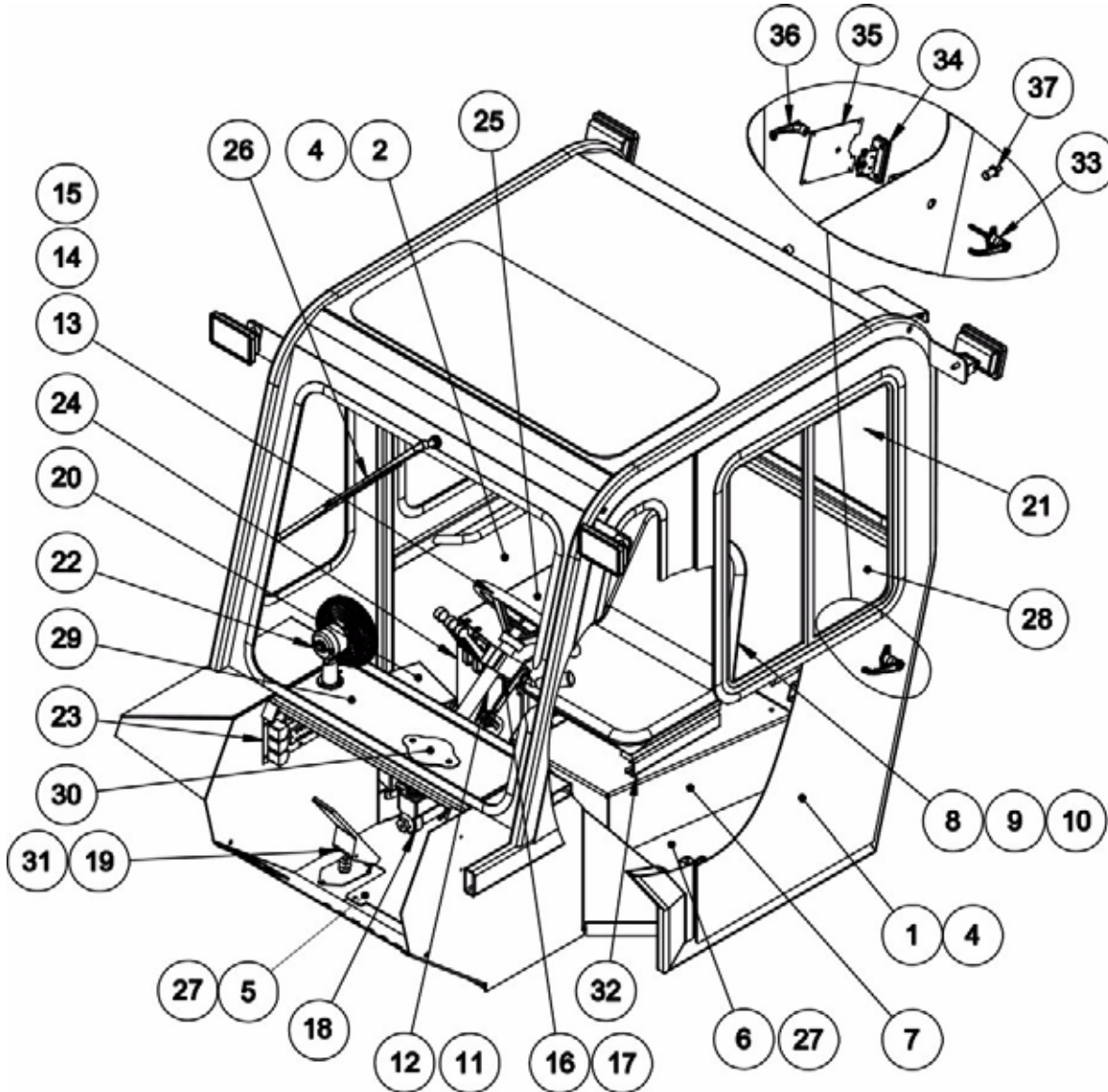
**CAB ASSEMBLY
(Field Loader) (098-15204)**

ITEM	PART NUMBER	DESCRIPTION	QTY	MODEL Or SERIAL #
1	430-00132	SEAT	1	
2	098-15230	SEAT BASE	1	
3	098-15240	REAR FLOORBOARD	1	
4	098-01250.1	SHIFTER	1	
5	098-01251	SHIFTER CLAMP	1	
6	098-00123	STEERING COLUMN	1	
7	098-01449	FRONT FLOORBOARD	1	
8	098-15222	*SERVICE BRAKE CONTROL ASSEMBLY	1	
9	098-01515	THROTTLE PEDAL	1	
10	098-01497	STEERING CONTROL UNIT (ORBITROL)	1	
11	098-15540	**DASH & POWERBOARD ASSEMBLY	1	
12	098-01474	CONTROL VALVE REAR ACCESS COVER	1	
13	098-00119	STEERING WHEEL & CAP	1	
14	098-01446	CONTROL VALVE REAR ACCESS COVER	1	
15	430-00462	SEAT SLIDE	1	
16	430-00317	SEAT BELT	1	
17	098-01087	STEERING WHEEL NUT	1	
18	098-00702	STEERING WHEEL KNOB	1	
19	KD-B1074	THROTTLE SPRING	1	

Note: * See Section 10 Component Parts.

Note: ** See Section 4 (Dash Assembly).

**CAB ASSEMBLY
(Back Dock) (098-15204)**



ITEM	PART	DESCRIPTION	QTY	MODEL Or SERIAL #
1	098-15250L	LEFT SIDE DOOR ASSEMBLY (INCLUDES LATCH, GASKET, HANDLES, WINDOW)	1	
	098-15251L	LEFT SIDE DOOR (WELDMENT ONLY)	1	
2	098-15250R	RIGHT SIDE DOOR ASSEMBLY (INCLUDES LATCH, GASKET, HANDLES, WINDOW)	1	
	098-15251R	RIGHT SIDE DOOR (WELDMENT ONLY)	1	
4	098-01832	DOOR GASKET	1	
5	098-01680	FRONT FLOORBOARD	1	
6	098-15241	REAR FLOORBOARD	1	



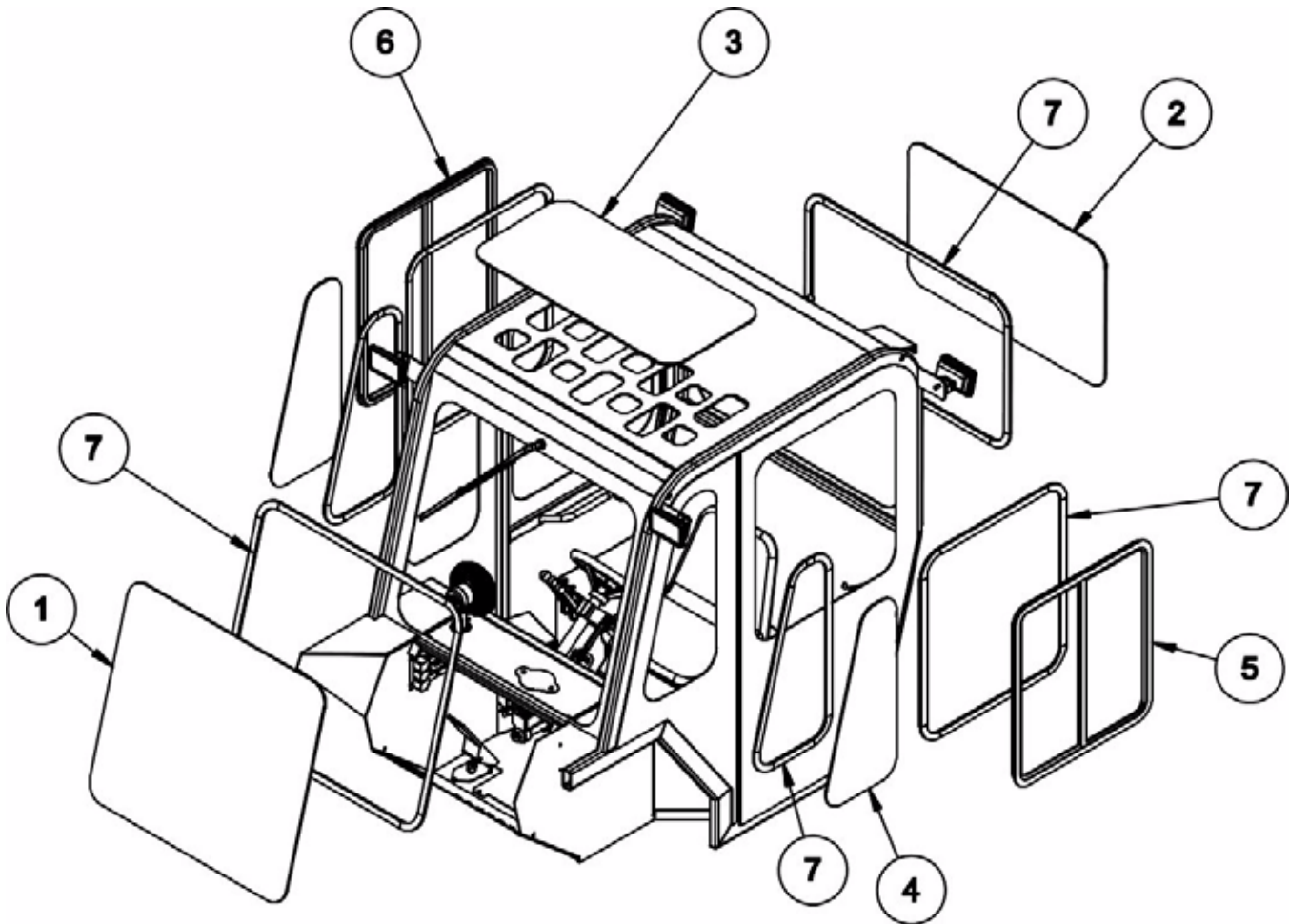
Bullet B260-H-D91B

**CAB ASSEMBLY
(Back Dock) (098-15204)**

ITEM	PART NUMBER	DESCRIPTION	QTY	MODEL Or SERIAL #
7	098-15230	SEAT BASE	1	
8	430-00132	SEAT	1	
9	430-00462	SEAT SLIDE	1	
10	430-00317	SEAT BELT	1	
11	098-01497	STEERING CONTROL UNIT (ORBTROL)	1	
12	098-00123	STEERING COLUMN	1	
13	098-00119	STEERING WHEEL & CAP	1	
14	098-01087	STEERING WHEEL NUT	1	
15	098-00702	STEERING WHEEL KNOB	1	
16	098-01250	SHIFTER	1	
17	098-01251	SHIFTER CLAMP	1	
18	098-15222	*SERVICE BRAKE CONTROL ASSEMBLY	1	
19	098-01515	THROTTLE PEDAL	1	
20	098-15203	*HEATER INSTALLATION	1	
21	098-15205	WINDOW INSTALLATION	1	
22	430-00282	DEFROSTER FAN	1	
23	098-15543	DASH & POWERBOARD ASSEMBLY	1	
24	098-01474	CONTROL VALVE FRONT ACCESS COVER	1	
25	098-01466	CONTROL VALVE REAR ACCESS COVER	1	
26	098-15202	*WIPER ASSEMBLY (FRONT OR REAR)	2	
27	430-00280	FLOOR MAT	2	
28	098-00750	INSULATION	3	
29	098-01484	DASH ACCESS COVER	1	
30	FLII4125	MASTER CYLINDER ACCESS COVER	1	
31	KD-B1074	THROTTLE SPRING	1	
32	098-01759	SEAT RISER FOR BACK DOCK LOADER	2	
33	098-01817	OUTSIDE HANDLE WITH SHAFT AND LOCK	1	
34	098-01816L	ROTARY LATCH (FOR LEFT SIDE)	1	
	098-01816R	ROTARY LATCH (FOR RIGHT SIDE)	1	
35	098-01803	LATCH COVER	1	
36	098-01818	INSIDE HANDLE	1	
37	098-01819	STRIKER	1	

Note: * See Section 10 Component Parts.

**WINDOW INSTALLATION PARTS
(91" BACK DOCK) (098-15205)**





Bullet B260-H-D91B

**WINDOW INSTALLATION PARTS
(91" BACK DOCK) (098-15205)**

ITEM	PART NUMBER	DESCRIPTION	QTY	MODEL Or SERIAL #
1	098-00761	WINDSHIELD	1	
2	098-00762	REAR WINDOW	1	
3	098-00764	SIDE WINDOW	2	
4	098-00763	ROOF WINDOW	1	
5	098-01792L	DOOR WINDOW (LEFT SIDE)	1	
6	098-01792R	DOOR WINDOW (RIGHT SIDE)	1	
7	098-00772	FIXED WINDOW GASKET	54FT	



Bullet B260-H-F77B; B260-H-F81B & B260-H-F91B



Bullet B260-H-F77B; B260-H-F81B & B260-H-F91B

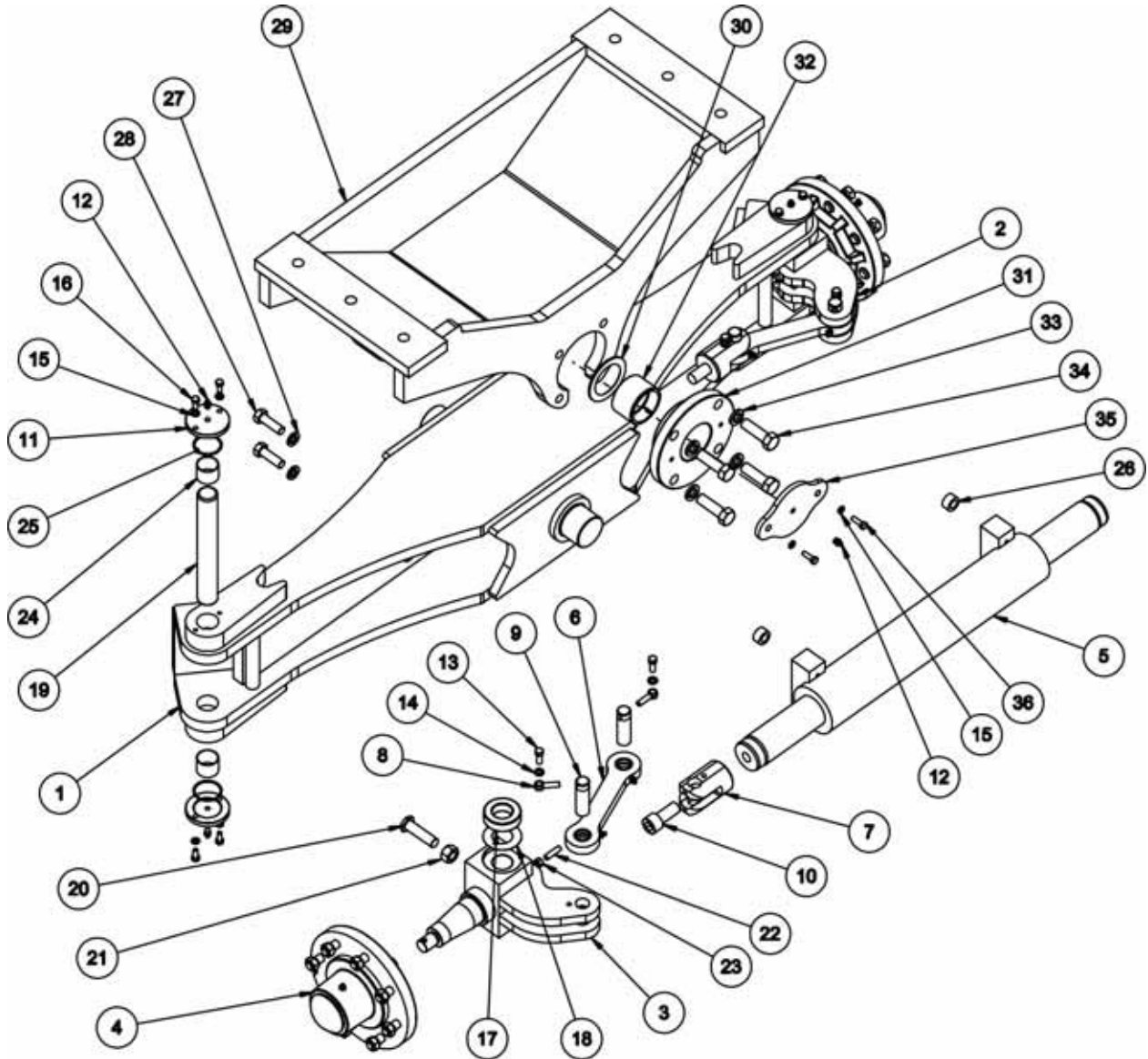
Section 2

STEERING AXLE

Contents

STEER AXLE ASSEMBLY----- 2

STEERING AXLE ASSEMBLY (098-15300)





Inc. Bullet B260-H-F77B; B260-H-F81B & B260-H-F91B

STEERING AXLE ASSEMBLY (098-15300)

ITEM	PART NUMBER	DESCRIPTION	QTY	MODEL Or SERIAL #
1	010-00050	STEER AXLE WELDMENT	1	
2	098-15310L	SPINDLE WELDMENT (LHS)	1	
3	098-15310R	SPINDLE WELDMENT (RHS)	1	
4	098-00427	*WHEEL HUB ASSEMBLY	2	
5	098-00418	*STEER CYLINDER	1	
6	098-15320	*CONNECTING LINK ASSEMBLY	2	
7	098-01481	STEER CYLINDER YOKE END	2	
8	098-01482	ROD END 3/8	4	
9	098-01483	STEER CYLINDER PIN	4	
10	210-00818	SOCKET HEAD CAP SCREW (M22 X 1.5 X 50)	2	
11	410-00119	KING PIN CAP	4	
12	210-00663	GREASE FITTING 1/8 NPT "ALEMITE" 1610-BL	8	
13	REF	SCREW CAP HEX HD NC GR 8	4	
14	REF	LOCKWASHER	4	
15	REF	LOCKWASHER	12	
16	REF	SCREW CAP HEX HD NC GR 8	8	
17	030-00088	THRUST BEARING	2	
18	098-00817	SHIM	2	
19	098-00424	KING PIN	2	
20	098-00947	STOPPER SCREW	2	
21	REF	NUT 3/4-10	2	
22	REF	SCREW SET SQ HD CUP POINT	2	
23	REF	NUT HEX FIN NC GRADE 5	2	
24	098-00816	KING PIN BUSHING	4	
25	098-00734	O-RING FOR SPINDLE CAP	4	
26	098-01337	STEER CYLINDER LOCATING BUSHING	2	
27	REF	LOCKWASHER	4	
28	REF	SCREW CAP HEX HD GR 5	4	
29	098-00421	STEER CRADLE WELDMENT (FOR 81" & 91")	1	
	098-12521	STEER CRADLE WELDMENT (FOR 77" BULLET)	1	
30	098-00680	THRUST WASHER	2	
31	410-00380	STEER AXLE MAIN PIVOT HOUSING W/ BUSHING	2	
32	410-00118	STEER AXLE MAIN PIVOT BUSHING ONLY	2	
33	REF	LOCKWASHER	8	
34	REF	SCREW CAP HEX HD NF GR 8	8	
35	098-00296	CRADLE BEARING COVER	2	
36	REF	SCREW CAP HEX HD NC GR 5	4	

Note: * See Section 10 Component Parts.



Bullet B260-H-F77B; B260-H-F81B & B260-H-F91B



Bullet B260-H-F77B; B260-H-F81B & B260-H-F91B

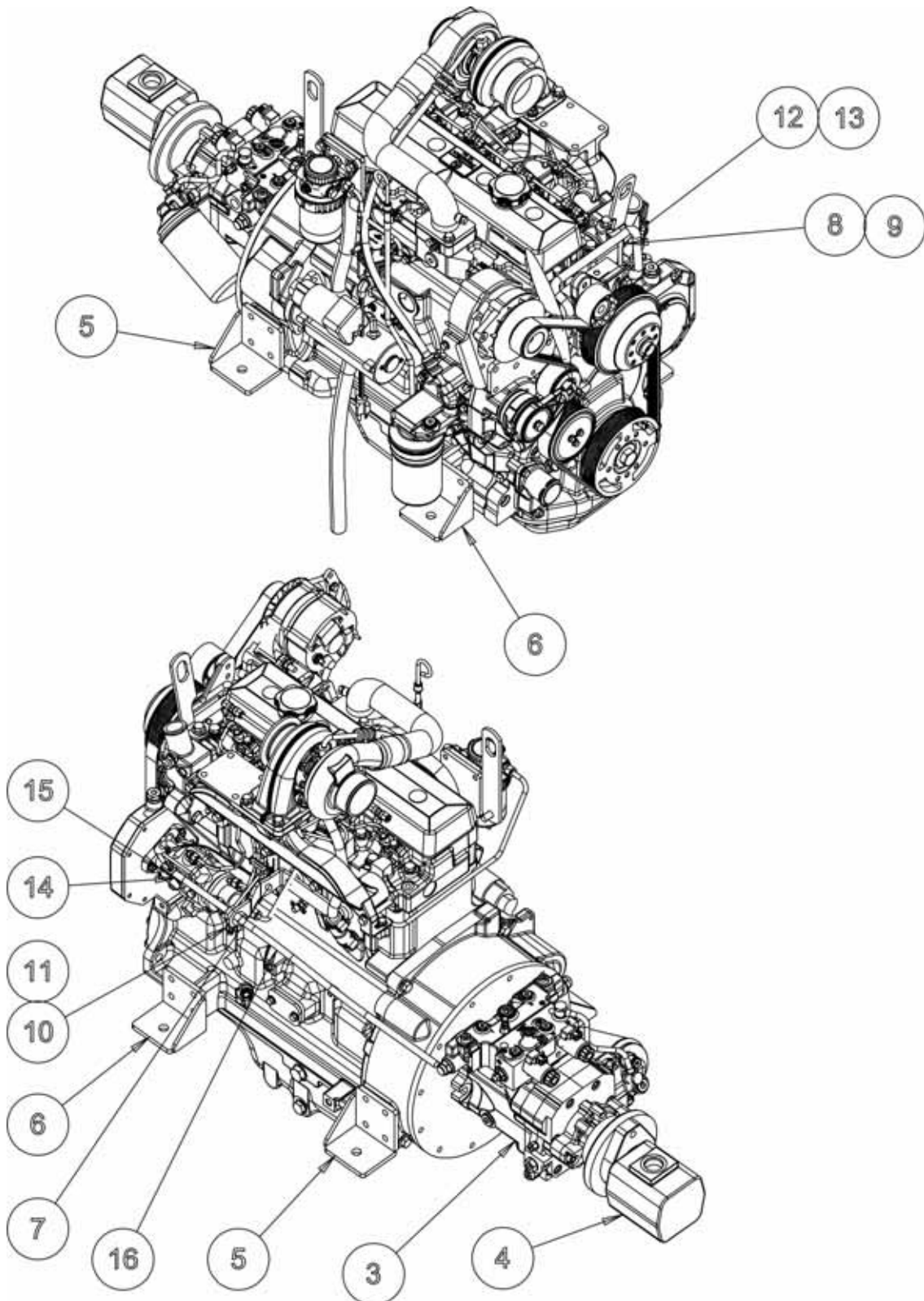
Section 3

POWERTRAIN CIRCUITS

Contents

POWERTRAIN ASSEMBLY -----	2
EXHAUST CIRCUIT -----	4
AIR INTAKE CIRCUIT -----	6
RADIATOR & COOLER ASSEMBLY -----	8
NEW HOLLAND DRIVE AXLE & MOTOR ASSEMBLY -----	10
DANA DRIVE AXLE & MOTOR ASSEMBLY -----	12

**POWERTRAIN ASSEMBLY
(098-15410)**



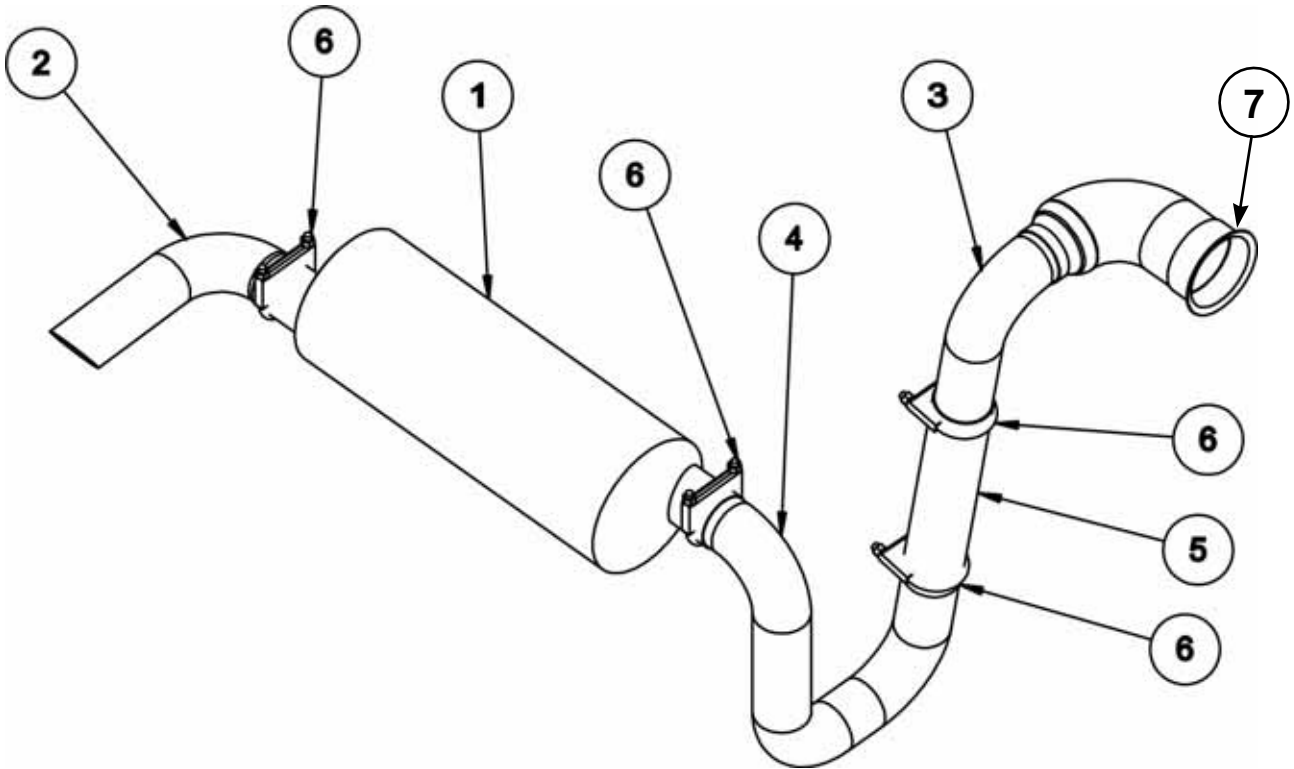


Bullet B260-H-F77B; B260-H-F81B & B260-H-F91B

**POWERTRAIN ASSEMBLY
(098-15410)**

ITEM	PART NUMBER	DESCRIPTION	QTY	MODEL Or SERIAL #
1	098-01624	JOHN DEERE TIER III ENGINE KIT	1	
2	REF	HAYES COUPLING (INCLUDED WITH ENGINE)	1	
3	098-01518	HYDROSTATIC PUMP (CA)	1	
4	430-00169	HYDRAULIC PUMP	1	
5	098-15411	FRONT ENGINE SUPPORT WELDMENT	2	
6	098-15412	REAR ENGINE SUPPORT WELDMENT	2	
7	098-01606	THROTTLE CABLE SUPPORT	1	
8	097-20398	TEMPERATURE SENDING UNIT	1	
9	330-00007	BUSHING REDUCER 1/2-3/8 NPT	1	
10	097-20390	OIL PRESSURE SENDING UNIT	1	
11	098-00708.1	45° STREET ELBOW - 1/8 NPT	1	
12	097-20358	TEMPERATURE SWITCH	1	
13	098-01625	BUCHING REDUCER 1/2-1/8 NPT	1	
14	098-01698	YOKE END 1/4 X 2 (1/4-28 THREAD)	1	
15	098-01699	CLEVIS PIN 1/4 X 51/64	1	
16	098-01516	THROTTLE CABLE	1	

**EXHAUST CIRCUIT
(098-15420)**



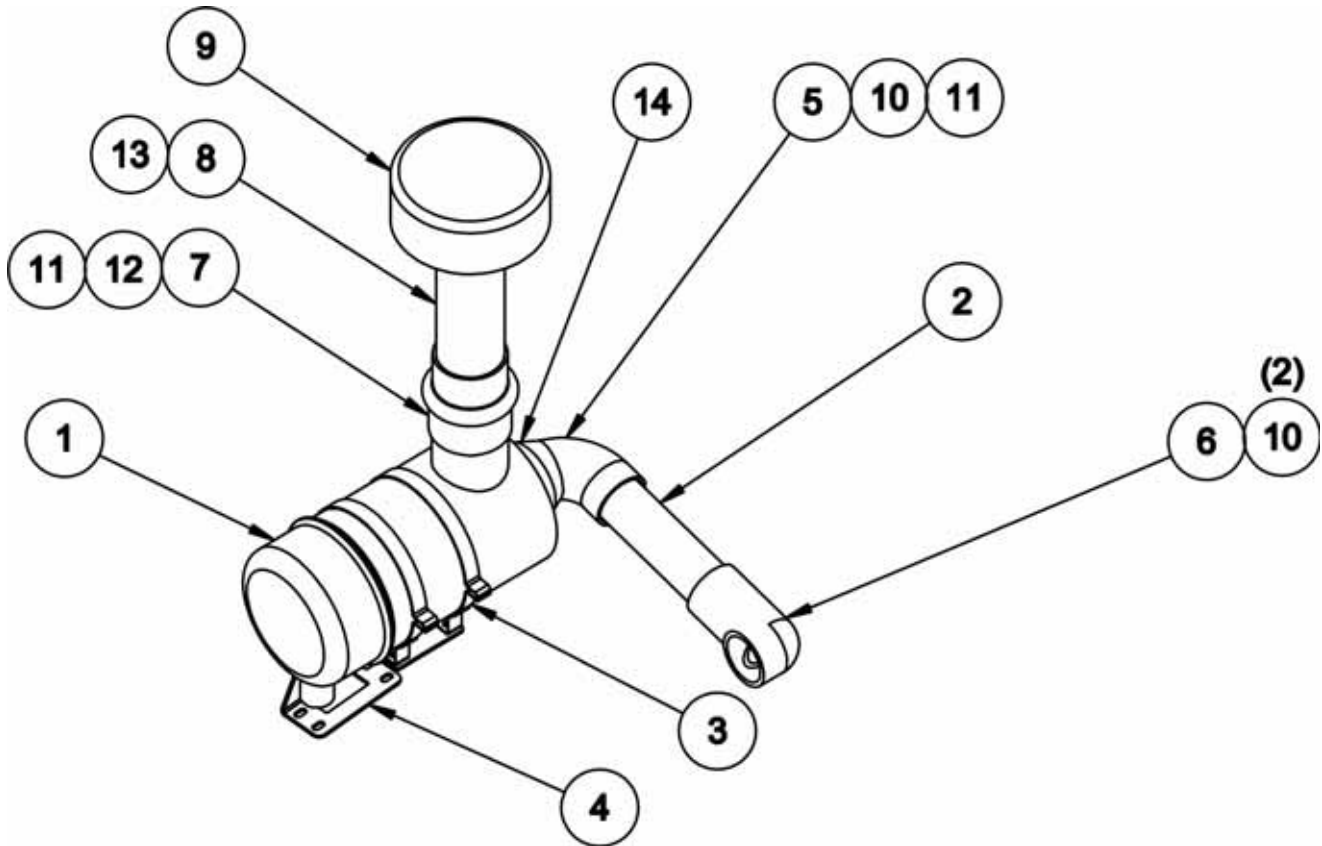


Bullet B260-H-F77B; B260-H-F81B & B260-H-F91B

**EXHAUST CIRCUIT
(098-15420)**

ITEM	PART NUMBER	DESCRIPTION	QTY	MODEL Or SERIAL #
1	098-01533	MUFFLER FOR TIER III ENGINE	1	
2	098-01534	TAIL PIPE	1	
3	098-01535	MUFFLER PIPE (TURBO TO FLEX) (81" & 91" BULLET)	1	
	098-01637	MUFFLER PIPE (TURBO TO FLEX) (77" BULLET)	1	
4	098-01607	MUFFLER PIPE (FLEX TO MUFFLER) (81" & 91" BULLET)	1	
	098-01638	MUFFLER PIPE (FLEX TO MUFFLER) (77" BULLET)	1	
5	098-01626	FLEX PIPE TIER III ENGINE	1	
6	097-20487	2-1/2" ZINC PLATED MUFFLER CLAMP	4	
7	098-01747	V - BAND CLAMP (FOR TIER III ENGINE)	1	

**AIR INTAKE CIRCUIT
(098-15430)**





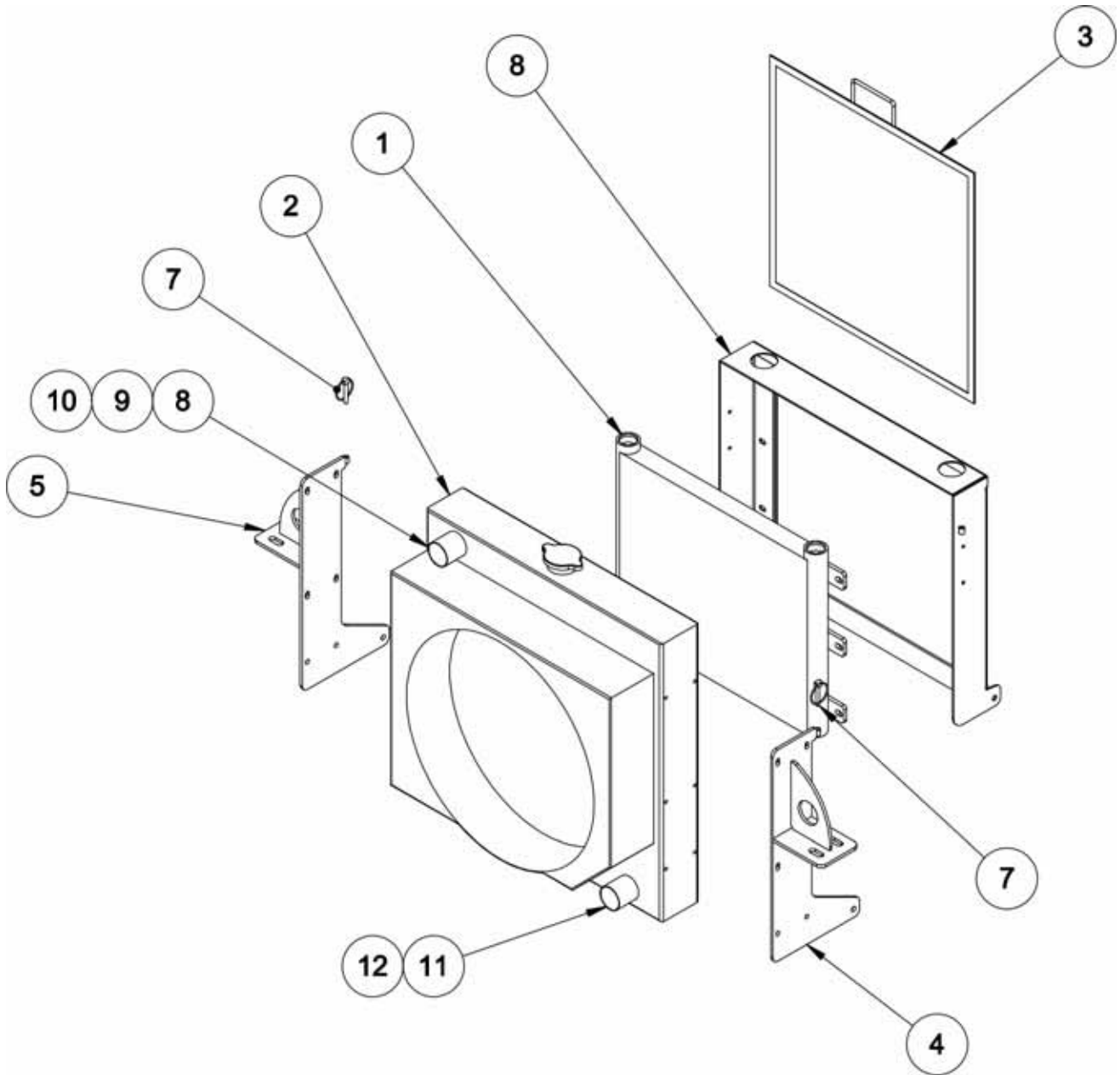
Bullet B260-H-F77B; B260-H-F81B & B260-H-F91B

**AIR INTAKE CIRCUIT
(098-15430)**

ITEM	PART NUMBER	DESCRIPTION	QTY	MODEL Or SERIAL #
1	098-01532	*AIR CLEANER	1	
2	098-01545	AIR INTAKE PIPE (3"Ø)	1	
3	098-01546	AIR CLEANER MOUNTING BAND	2	
4	098-01547	AIR CLEANER SUPPORT	1	
5	098-01548	RUBBER ELBOW REDUCER 4'-3"	1	
6	098-01550	90° COBRA TYPE ELBOW (3")	1	
7	098-01552	RUBBER HUMP REDUCER 4-1/2" -4"	1	
8	098-01554	AIR INTAKE PIPE (4"Ø) (77" & 81" BULLET)	1	
	098-01670	AIR INTAKE PIPE (4"Ø) (91" BULLET)	1	
9	098-00824	PRE-CLEANER	1	
10	098-01555	T-BOLT CLAMP (3")	3	
11	098-01556	T-BOLT CLAMP (4")	2	
12	098-01557	T-BOLT CLAMP (4-1/2")	1	
13	098-01558	MUFFLER CLAMP (4")	1	
14	098-01531	ELECTRICAL RESTRICTION INDICATOR SWITCH	1	

* Note: See Section 10 Component Parts.

**RADIATOR & COOLER ASSEMBLY
(098-15440)**



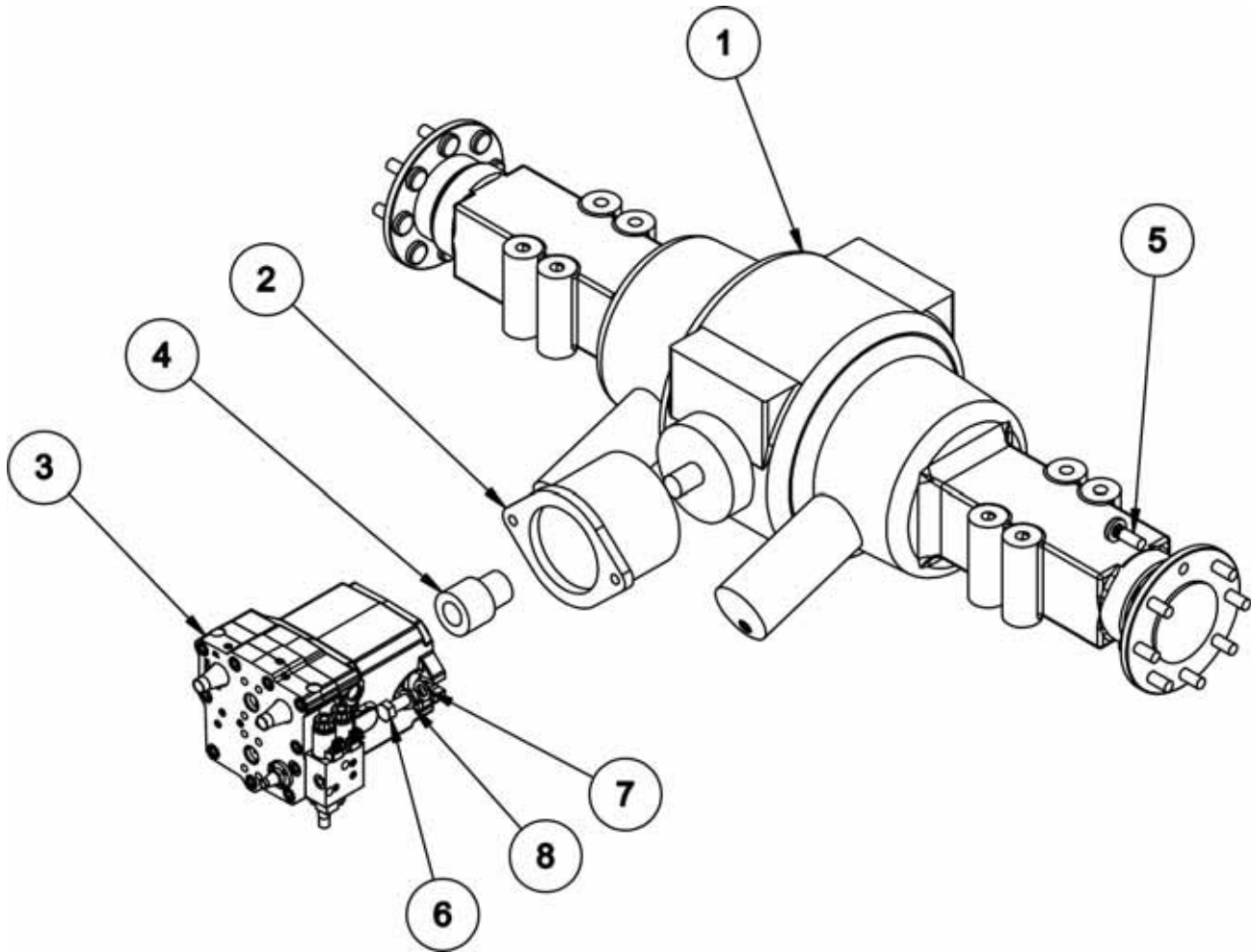


Bullet B260-H-F77B; B260-H-F81B & B260-H-F91B

**RADIATOR & COOLER ASSEMBLY
(098-15440)**

ITEM	PART NUMBER	DESCRIPTION	QTY	MODEL Or SERIAL #
1	098-00876	OIL COOLER	1	
2	098-01098	RADIATOR & SHROUD ASSEMBLY	1	
3	098-01267	FEATHER SCREEN	1	
4	098-15441L	RADIATOR & COOLER SUPPORT WELDMENT (LHS)	1	
5	098-15441R	RADIATOR & COOLER SUPPORT WELDMENT (RHS)	1	
6	098-15442	OIL COOLER SHROUD	1	
7	097-20602	1/4" LINCH PIN	2	
8	340-00044	RADIATOR TOP HOSE	1	
9	098-00783	TOP HOSE CLAMP (ENGINE SIDE)	1	
10	098-00784	TOP HOSE CLAMP (RADIATOR SIDE)	1	
11	098-01086	RADIATOR BOTTOM HOSE	1	
12	370-00021	BOTTOM HOSE CLAMP	2	

**NEW HOLLAND DRIVE AXLE & DRIVE MOTOR ASSEMBLY
(098-15450)**





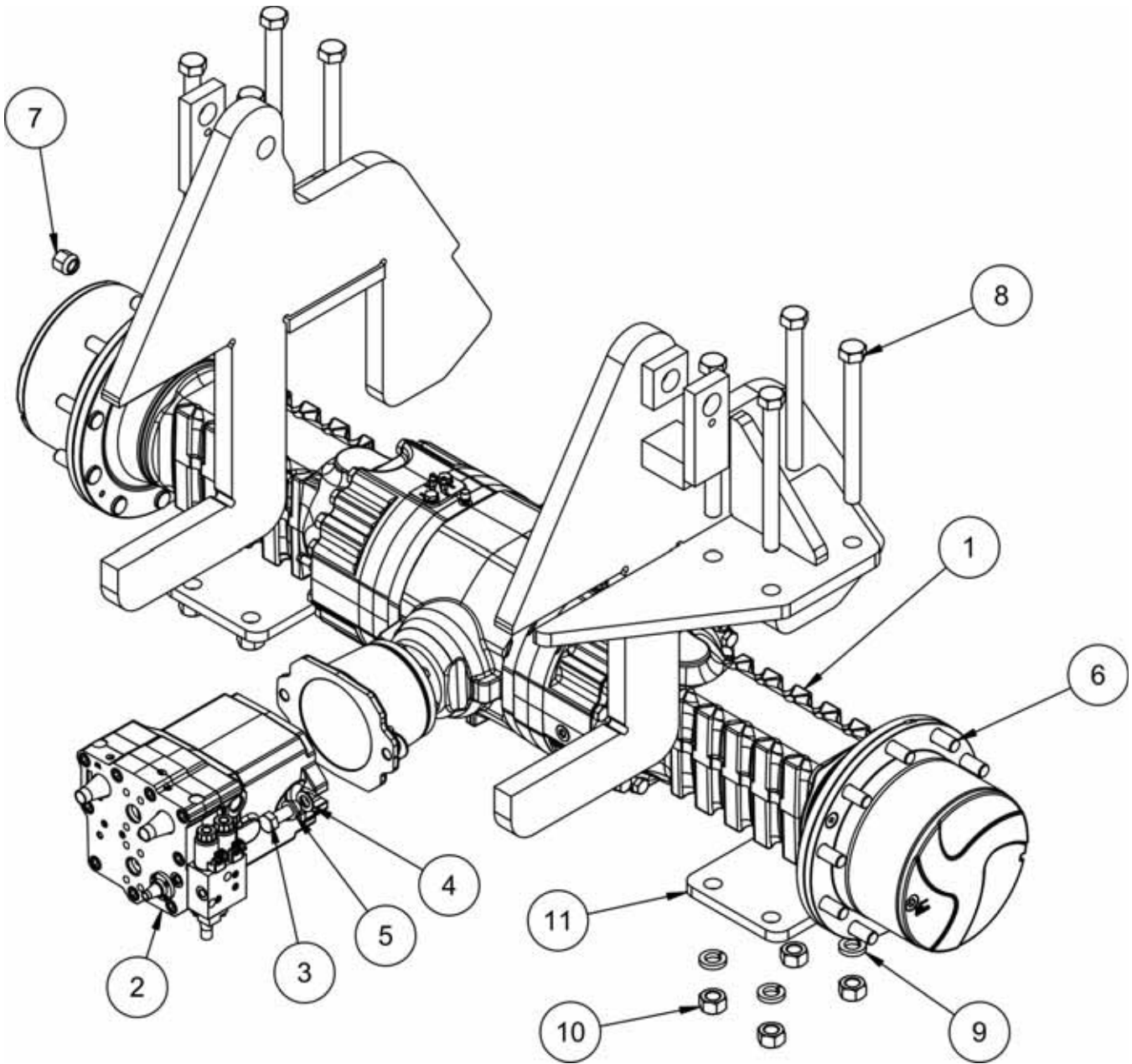
Inc. *Bullet B260-H-F77B; B260-H-F81B & B260-H-F91B*

**NEW HOLLAND DRIVE AXLE & DRIVE MOTOR ASSEMBLY
(098-15450)**

ITEM	PART NUMBER	DESCRIPTION	QTY	MODEL Or SERIAL #
1	098-01356H	DRIVE AXLE WITH HYD. DIFF. LOCK	1	
2	410-00379	HYDROSTATIC MOTOR COUPLING	1	
3	098-01519	HYDROSTATIC MOTOR HMV165	1	
4	098-15451	HYDRAULIC MOTOR COUPLING	1	
5	098-00048	DRIVE AXLE STUD (3/4-16 NF)	16	
6	REF	SCREW CAP HEX HD NF GR 8	2	
7	REF	FLAT WASHER NARROW	2	
8	REF	LOCK WASHER	2	



**DANA DRIVE AXLE & DRIVE MOTOR ASSEMBLY
(098-15452)**





Bullet B260-H-F77B; B260-H-F81B & B260-H-F91B



**DANA DRIVE AXLE & DRIVE MOTOR ASSEMBLY
(098-15452)**

ITEM	PART NUMBER	DESCRIPTION	QTY	MODEL Or SERIAL #
1	098-01780	DANA DRIVE AXLE	1	
2	098-01519	HYDROSTATIC MOTOR HMV165	1	
3	REF	SCREW CAP HEX HD NF GR 8 (M20 X 65)	2	
4	REF	FLAT WASHER NARROW (3/4")	2	
5	REF	LOCK WASHER (3/4")	2	
6	932.06.074.01	M22 X 1.5 X 76 LOG (SPECIAL STUD)	20	
7	11206.088.03	LUG NUT (M22 X 1.5)	20	
8	REF	SCREW CAP HEX NC (1"X11")	8	
9	REF	LOCKWASHER (1")	8	
10	REF	NUT (1")	8	
11	098-01789	BOTTOM PLATE FOR DANA AXLE	2	



Bullet B260-H-F77B; B260-H-F81B & B260-H-F91B



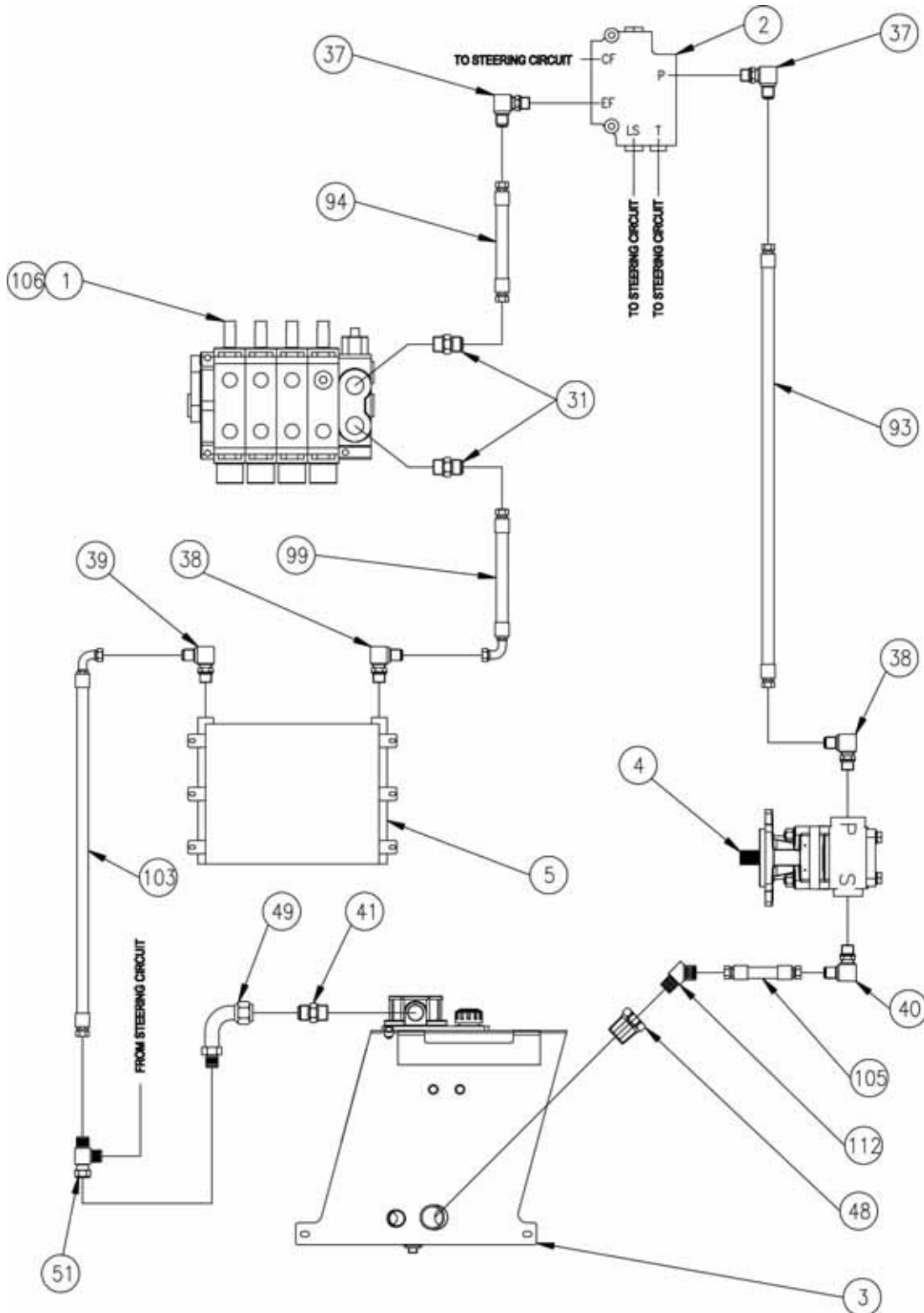
Section 4

FORKLIFT CIRCUITS

Contents

MAIN CIRCUIT	
(4 SECTION VALVE & 3 STAGE MAST- - - - -	2
DRIVE CIRCUIT	
(4 SECTION VALVE & 3 STAGE MAST- - - - -	4
BRAKES (SERVICE & PARKING) & DIFF. LOCK CIRCUIT	
NEW HOLLAND DRIVE AXLE	
(4 SECTION VALVE & 3 STAGE MAST- - - - -	6
DANA DRIVE AXLE	
(4 SECTION VALVE & 3 STAGE MAST) - - - - -	8
STEERING CIRCUIT	
(4 SECTION VALVE & 3 STAGE MAST- - - - -	10
LIFT CIRCUIT	
(4 SECTION VALVE & 3 STAGE MAST- - - - -	12
TILT CIRCUIT	
(4 SECTION VALVE & 3 STAGE MAST- - - - -	14
SIDESHIFT CIRCUIT	
(4 SECTION VALVE & 3 STAGE MAST- - - - -	16
ROTATOR CIRCUIT	
(4 SECTION VALVE & 3 STAGE MAST- - - - -	18
MAIN CIRCUIT	
(3 SECTION VALVE & 2 STAGE MAST - - - - -	20
DRIVE CIRCUIT	
(3 SECTION VALVE & 2 STAGE MAST- - - - -	22
NEW HOLLAND DRIVE AXLE	
BRAKES (SERVICE & PARKING) & DIFF. LOCK CIRCUIT	
(3 SECTION VALVE & 2 STAGE MAST- - - - -	24
DANA DRIVE AXLE	
BRAKES (SERVICE & PARKING) & DIFF. LOCK CIRCUIT	
(3 SECTION VALVE & 2 STAGE MAST) - - - - -	26
STEERING CIRCUIT	
(3 SECTION VALVE & 2 STAGE MAST- - - - -	28
LIFT CIRCUIT	
(3 SECTION VALVE & 2 STAGE MAST- - - - -	30
TILT CIRCUIT	
(3 SECTION VALVE & 2 STAGE MAST- - - - -	32
SIDESHIFT CIRCUIT	
(3 SECTION VALVE & 2 STAGE MAST- - - - -	34
FUEL CIRCUIT - - - - -	36
ELECTRICAL CIRCUIT (81" FIELD LOADER)- - - - -	38
DASH ASSEMBLY (81" FIELD LOADER) - - - - -	40
ELECTRICAL CIRCUIT (91" BACK DOCK) - - - - -	42
DASH & BACKBOARD ASSEMBLY (91" BACK DOCK) - - - - -	44

**MAIN CIRCUIT
(4 Section Valve & 3 Stage Mast) (098-15510)**





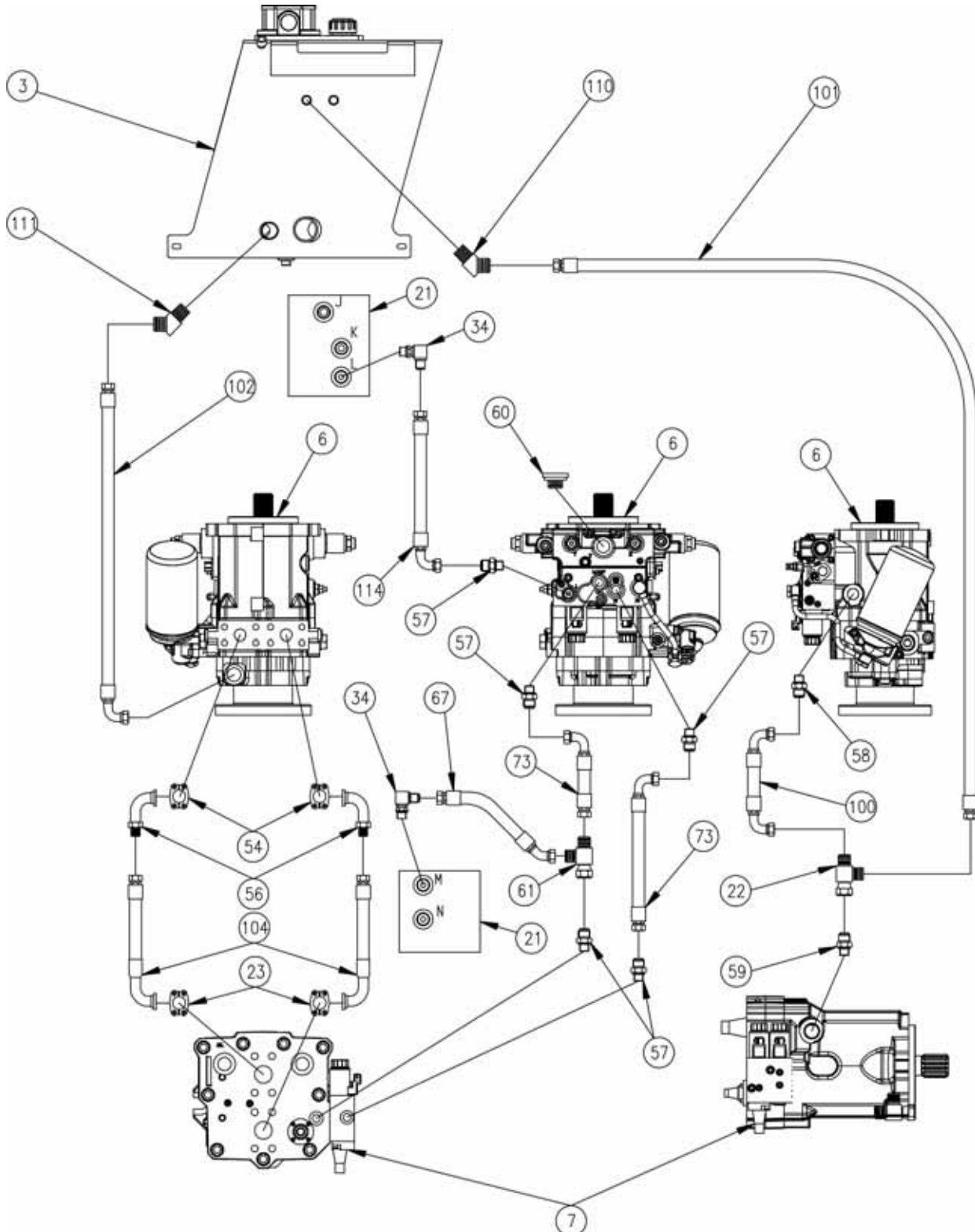
Bullet B260-H-F77B; B260-H-F81B & B260-H-F91B

**MAIN CIRCUIT
(4 Section Valve & 3 Stage Mast) (098-15510)**

ITEM	PART NUMBER	DESCRIPTION	QTY	MODEL Or SERIAL #
1	810-00160	*CONTROL VALVE FOUR (4) SECTIONS	1	
2	098-01496	PRIORITY VALVE	1	
3	098-15511	*HYDRAULIC TANK ASSEMBLY (81" & 91" BULLET)	1	
	098-15517	*HYDRAULIC TANK ASSEMBLY (77" BULLET)	1	
4	430-00169	HYDRAULIC PUMP	1	
5	098-00876	OIL COOLER	1	
31	330-00037	FITTING STRAIGHT 12 ORB (M) - 12 JIC (M)	2	
37	330-00108	FITTING ELBOW 90° 12 ORB (M) - 12 JIC (M)	2	
38	330-00110	FITTING ELBOW 90° 16 ORB (M) - 12 JIC (M)	2	
39	330-00111	FITTING ELBOW 90° 16 ORB (M) - 16 JIC (M)	1	
40	330-00704	FITTING ELBOW 90° 20 ORB (M) - 24 JIC (M)	1	
41	330-00705	FITTING STRAIGHT 24 ORB (M) - 16 JIC (M)	1	
48	330-00707	FITTING REDUCER 32 NPT (M) - 24 NPT (F)	1	
49	330-00708	FITTING LONG ELBOW 90° 16 JIC (M) - 16 JIC (F)	1	
51	330-00554	FITTING TEE 16 JIC (F) - 16 JIC (M) - 16 JIC (M)	2	
93	098-01726	HOSE 3/4" (HYD. PUMP TO PORT PRIORITY)	1	
94	098-01727	HOSE 3/4" (PORT EF PRIORITY TO VALVE)	1	
99	098-01732	HOSE 3/4" (VALVE TO OIL COOLER)	1	
103	098-01736	HOSE 1" (OIL COOLER TO TEE RETURN FILTER)	1	
105	098-01738	HOSE 1-1/2" (HYDRAULIC PUMP SUCTION LINE)	1	
106	810-00004	CONTROL VALVE HANDLE KIT	4	
112	330-00720	FITTING ELBOW 45° 24 NPT (M) - 24 JIC (M)	1	

Note: * See Section 10 Component Parts.

**DRIVE CIRCUIT
(4 Section Valve & 3 Stage Mast) (098-15510)**





Bullet B260-H-F77B; B260-H-F81B & B260-H-F91B

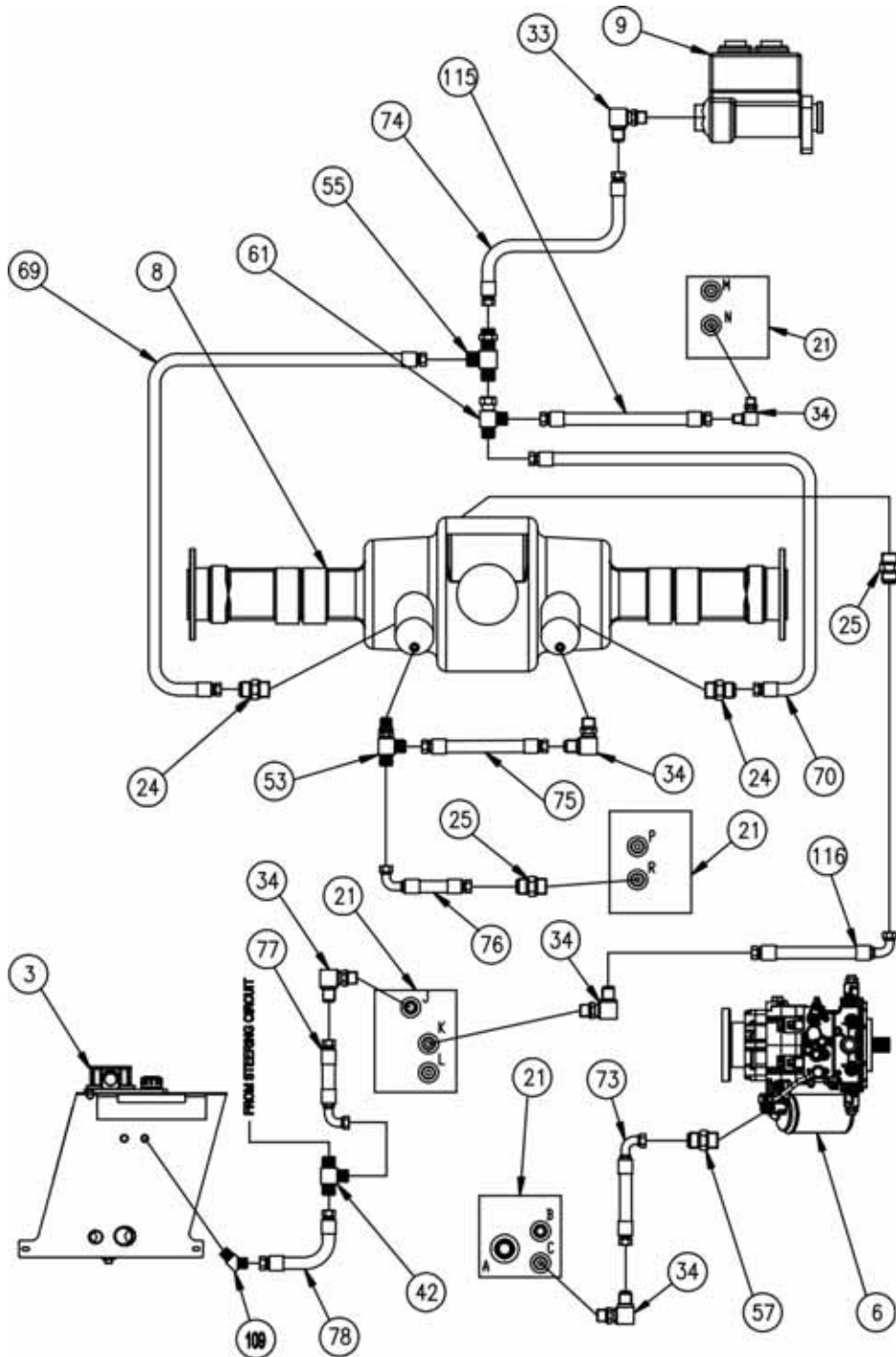
**DRIVE CIRCUIT
(4 Section Valve & 3 Stage Mast) (098-15510)**

ITEM	PART NUMBER	DESCRIPTION	QTY	MODEL Or SERIAL #
3	098-15511	*HYDRAULIC TANK ASSEMBLY (81" & 91" BULLET)	1	
	098-15517	*HYDRAULIC TANK ASSEMBLY (77" BULLET)	1	
6	098-01518	HYDROSTATIC PUMP W/ AUTOMOTIVE CONTROL	1	
7	098-01519	HYDROSTATIC MOTOR W/ AUTOMOTIVE CONTROL	1	
21	098-15513	*CONTROL BLOCK ASSEMBLY (NEW HOLLAND DRIVE AXLE)	1	
21	098-15548	*CONTROL BLOCK ASSEMBLY (DANA DRIVE AXLE)	1	
22	330-00739	PLUG 2/8 NPT	1	
23	098-00493	SPLIT FLANGE KIT WITH M14 BOLT	2	
34	330-00114	FITTING ELBOW 90° 06 ORB (M)-06 JIC (M)	12	
54	330-00339	SPLIT FLANGE KIT 16 WITH M 12 BOLTS	2	
56	330-00713	FITTING ELBOW 90° 16 FL CODE 62- 16 JIC (M)	2	
57	330-00714	FITTING STRAIGHT M 14 X 1.5 (M)- 06 JIC (M)	6	
58	330-00715	FITTING STRAIGHT M 22 X 1.5 (M)- 12 JIC (M)	1	
59	330-00716	FITTING STRAIGHT M 27 X 2 (M)- 12 JIC (M)	1	
60	330-00717	PLUG M 22 X 1.5	1	
61	330-00722	FITTING TEE 06 JIC (F)- 06 JIC (M)- 06 JIC (M)	2	
67	098-01700	HOSE 3/8" (TEE MSP-PSP TO M CONTROL BLOCK)	2	
73	098-01706	HOSE 3/8" (MSP TO PSP; X 1 TO X; CHARGE PRES.)	3	
100	098-01733	HOSE 3/4" (PUMP DRAIN TO MOTOR DRAIN TEE)	1	
101	098-01734	HOSE 3/4" (TEE MOTOR DRAIN TO HYD. TANK)	1	
102	098-01735	HOSE 1" (CHARGE PUMP SUCTION)(81"&91" BULLET)	1	
	098-01773	HOSE 1" (CHARGE PUMP SUCTION) (77" BULLET)	1	
104	098-01737	HOSE 1" (HYDROSTATIC PUMP TO MOTOR)	2	
110	330-00256	FITTING ELBOW 45° 12 NPT (M)- 12 JIC (M)	1	
111	330-00719	FITTING ELBOW 45° 20 NPT (M)- 20JIC (M)	1	
114	098-01740	HOSE 3/8" ("L" PUMP TO "L" CONTROL BLOCK)	1	

Note: * See Section 10 Component Parts.

*****NEW HOLLAND AXLE*****

**BRAKES (SERVICE & PARKING) & DIFF. LOCK CIRCUIT
(4 Section Valve & 3 Stage Mast) (098-15510)**





Bullet B260-H-F77B; B260-H-F81B & B260-H-F91B

*****NEW HOLLAND AXLE*****

**BRAKES (SERVICE & PARKING) & DIFF. LOCK CIRCUIT
(4 Section Valve & 3 Stage Mast) (098-15510)**

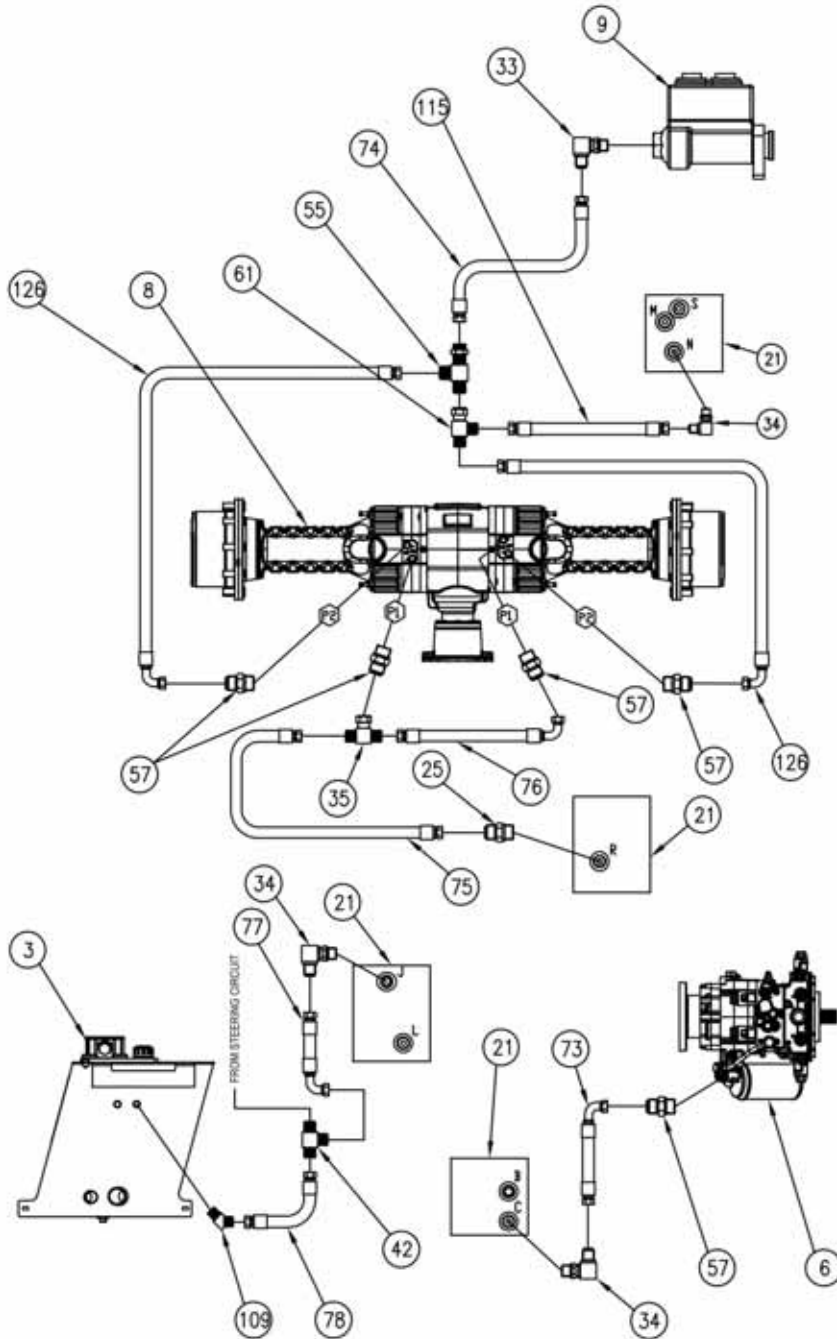
ITEM	PART NUMBER	DESCRIPTION	QTY	MODEL Or SERIAL #
3	098-15511	*HYDRAULIC TANK ASSEMBLY (81" & 91" BULLET)	1	
	098-15517	*HYDRAULIC TANK ASSEMBLY (77" BULLET)	1	
6	098-01518	HYDROSTATIC PUMP WITH AUTOMOTIVE CONTROL	1	
8	098-15450	DRIVE AXLE ASSEMBLY	1	
9	098-00204	MASTER CYLINDER	1	
21	098-15513	*CONTROL BLOCK ASSEMBLY (NEW HOLLAND DRIVE AXLE)	1	
24	330-00042	FITTING STRAIGHT 04 ORB (M)- 04 JIC (M)	4	
25	330-00043	FITTING STRAIGHT 06 ORB (M)- 06 JIC (M)	5	
33	330-00702	FITTING ELBOW 90° 05 ORB (M)- 06 JIC (M)	1	
34	330-00114	FITTING ELBOW 90° 06 ORB (M)- 06 JIC (M)	13	
42	330-00658	FITTING BULKHEAD STRAIGHT 06 JIC (M)	1	
53	330-00711	FITTING TEE 06 ORB (M)- 06 JIC (M)- 06 JIC (M)	1	
55	330-00712	FITTING BULKHEAD TEE 06 JIC (M)	1	
57	330-00714	FITTING STRAIGHT M 14 X 1.5 (M)- 06 JIC (M)	6	
61	330-00722	FITTING TEE 06 JIC (F)- 06 JIC (M)- 06 JIC (M)	2	
69	098-01702	HOSE 1/4" (TEE BULKHEAD TO LHS BRAKE POD)	1	
70	098-01703	HOSE 1/4" (TEE BULKHEAD TO RHS BRAKE POD)	1	
73	098-01706	HOSE 3/8" (MSP TO PSP; X 1 TO X; CHARGE PRES.)	3	
74	098-01707	HOSE 3/8" (MASTER CYLINDER TO TEE BULKHEAD)	1	
75	098-01708	HOSE 3/8" (BETWEEN THE BRAKE PODS)	1	
76	098-01709	HOSE 3/8" ("R" CONTROL BLOCK TO TEE LHS POD)	1	
77	098-01710	HOSE 3/8" ("J" CONTROL BLOCK TO TEE RETURN)	1	
78	098-01711	HOSE 3/8" (TEE RETURN TO HYD. TANK) (81" & 91" BULLET)	1	
	098-01776	HOSE 3/8" (TEE RETURN TO HYD. TANK) (77" BULLET)	1	
109	330-00718	FITTING ELBOW 45° 12 NPT (M)- 08 JIC (M)	1	
115	098-01741	HOSE 3/8" (TEE MASTER CYL. TO "N" CONT. BLOCK)	1	
116	098-01742	HOSE 3/8" ("K" CONTROL BLOCK TO DIFF. LOCK)	1	

Note: * See Section 10 Component Parts.



*****DANA AXLE*****

**BRAKES (SERVICE & PARKING) & DIFF. LOCK CIRCUIT
(4 Section Valve & 3 Stage Mast) (098-15518)**





Bullet B260-H-F77B; B260-H-F81B & B260-H-F91B



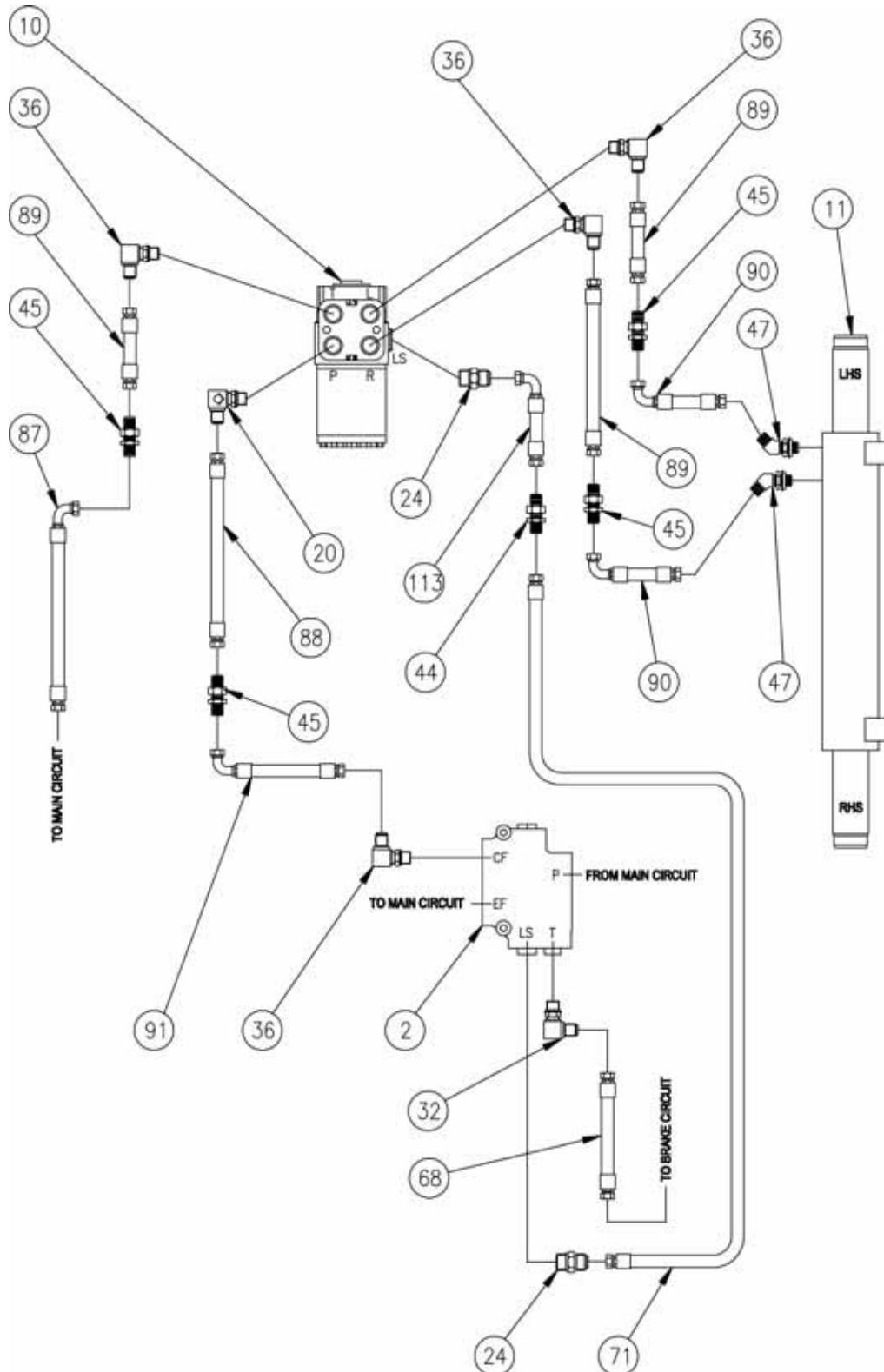
*****DANA AXLE*****

**BRAKES (SERVICE & PARKING) & DIFF. LOCK CIRCUIT
(4 Section Valve & 3 Stage Mast) (098-15518)**

ITEM	PART NUMBER	DESCRIPTION	QTY	MODEL Or SERIAL #
3	098-15511	HYDRAULIC TANK ASSEMBLY	1	
6	098-01518	HYDROSTATIC PUMP WITH AUTOMOTIVE CONTROL	1	
8	098-15450	DRIVE AXLE ASSEMBLY	1	
9	098-00204	MASTER CYLINDER	1	
21	098-15548	* CONTROL BLOCK ASSEMBLY	1	
25	330-00043	FITTING STRAIGHT 06 ORB (M)-06 JIC (M)	1	
27	330-00669	SOCKET HEAD PLUG (06 ORB)	1	
33	330-00702	FITTING ELBOW 90° 05 ORB (M) - 06 JIC (M)	1	
34	330-00114	FITTING ELBOW 90° 06 ORB (M) - 06 JIC (M)	2	
35	330-00774	FITTING TEE 06 (JICF) - 06 JIC (M) 06 JIC (M)	1	
42	330-00241	FITTING TEE 06 JIC (M)	1	
55	330-00712	FITTING BULKHEAD TEE 06 JIC (M)	1	
57	330-00714	FITTING STRAIGHT M14X1.5 (M) - 06 JIC (M)	5	
61	330-00722	FITTING TEE 06 JIC (F) - 06 JIC (M) - 06 JIC (M)	1	
73	098-01706	HOSE 3/8" (MSP TO PSP; X1 TO X; CHARGE PRES.	1	
74	098-01707	HOSE 3/8" (MASTER CYL. TO TEE BULKHEAD)	1	
75	098-01708	HOSE 3/8" (BETTWEEN THE BRAKE PODS)	1	
76	098-01709	HOSE 3/8" ("R" CONTROL BLOCK TO TEE LHS POD)	1	
77	098-01710	HOSE 3/8" ("J) CONTROL BLOCK TO TEE RETURN)	1	
78	098-01711	HOSE 3/8" (TEE RETURN TO HYD. TANK)	1	
109	330-00718	FITTING ELBOW 45° 12 NPT (M) -08 JIC (M)	1	
		HOSE 3/8" (TEE MASTER CYL. TO "N" CONTROL		
115	098-01741	BLOCK	1	
126	098-01796	HOSE 1/4" (TEE BULKHEAD TO SERVICE BRAKE)	2	

Note: * See Section 10 Component Parts.

**STEERING CIRCUIT
(4 Section Valve & 3 Stage Mast) (098-15510)**





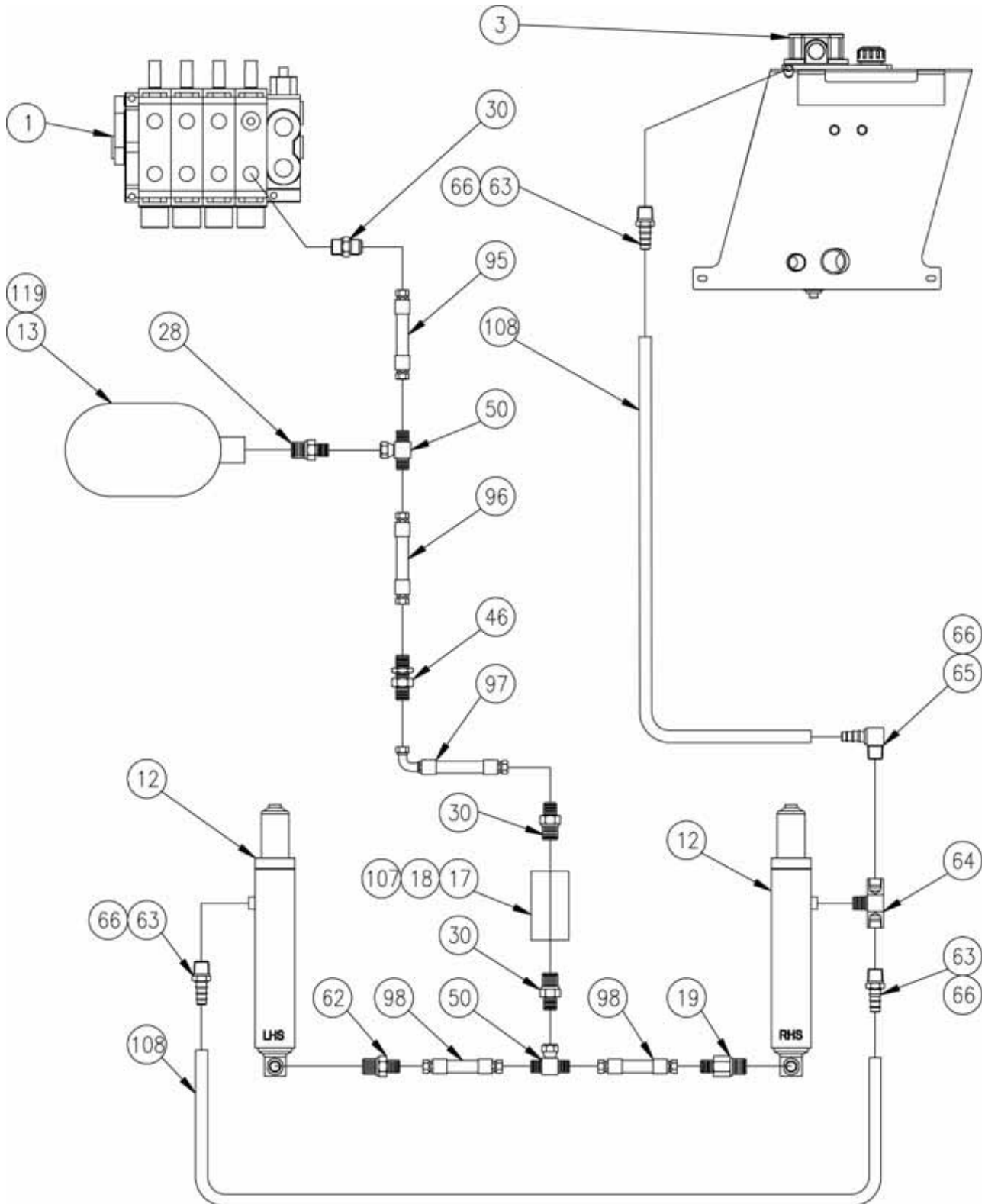
Bullet B260-H-F77B; B260-H-F81B & B260-H-F91B

**STEERING CIRCUIT
(4 Section Valve & 3 Stage Mast) (098-15510)**

ITEM	PART NUMBER	DESCRIPTION	QTY	MODEL Or SERIAL #
2	098-01496	PRIORITY VALVE	1	
10	098-01497	STEERING CONTROL UNIT	1	
11	098-00418	*STEER CYLINDER	1	
20	098-00694	CHECK VALVE	1	
24	330-00042	FITTING STRAIGHT 04 ORB (M)- 04 JIC (M)	4	
27	330-00046	FITTING STRAIGHT 08 ORB (M)- 08 JIC (M)	1	
32	330-00565	FITTING ELBOW 90° 04 ORB (M)- 04 JIC (M)	1	
36	330-00115	FITTING ELBOW 90° 08 ORB (M)- 08 JIC (M)	4	
44	330-00658	FITTING BULKHEAD STRAIGHT 06 JIC (M)	1	
45	330-00659	FITTING BULKHEAD STRAIGHT 08 JIC (M)	8	
47	330-00562	FITTING ELBOW 45° 08 ORB (M)- 08 JIC (M)	2	
68	098-01701	HOSE 1/4" (T PORT PRIORITY TO TEE RETURN LINE)	1	
71	098-01704	HOSE 1/4" (LS PORT PRIORITY TO BULKHEAD)	1	
87	098-01720	HOSE 1/2" (BULKHEAD TO TEE ON RETURN FILTER)	1	
88	098-01721	HOSE 1/2" (P PORT STEERING UNIT TO BULKHEAD)	1	
89	098-01722	HOSE 1/2" (T, L & R PORTS ST. UNIT OT BULKHEAD)	3	
90	098-01723	HOSE 1/2" (BULKHEAD TO STEER CYLINDER)	2	
91	098-01724	HOSE 1/2" (C F PORT PRIORITY TO BULKHEAD)	1	
113	098-01739	HOSE 1/4" (LS PORT STEER UNIT OT BULKHEAD)	1	

Note: * See Section 10 Component Parts.

**LIFT CIRCUIT
(4 Section Valve & 3 Stage Mast) (098-15510)**





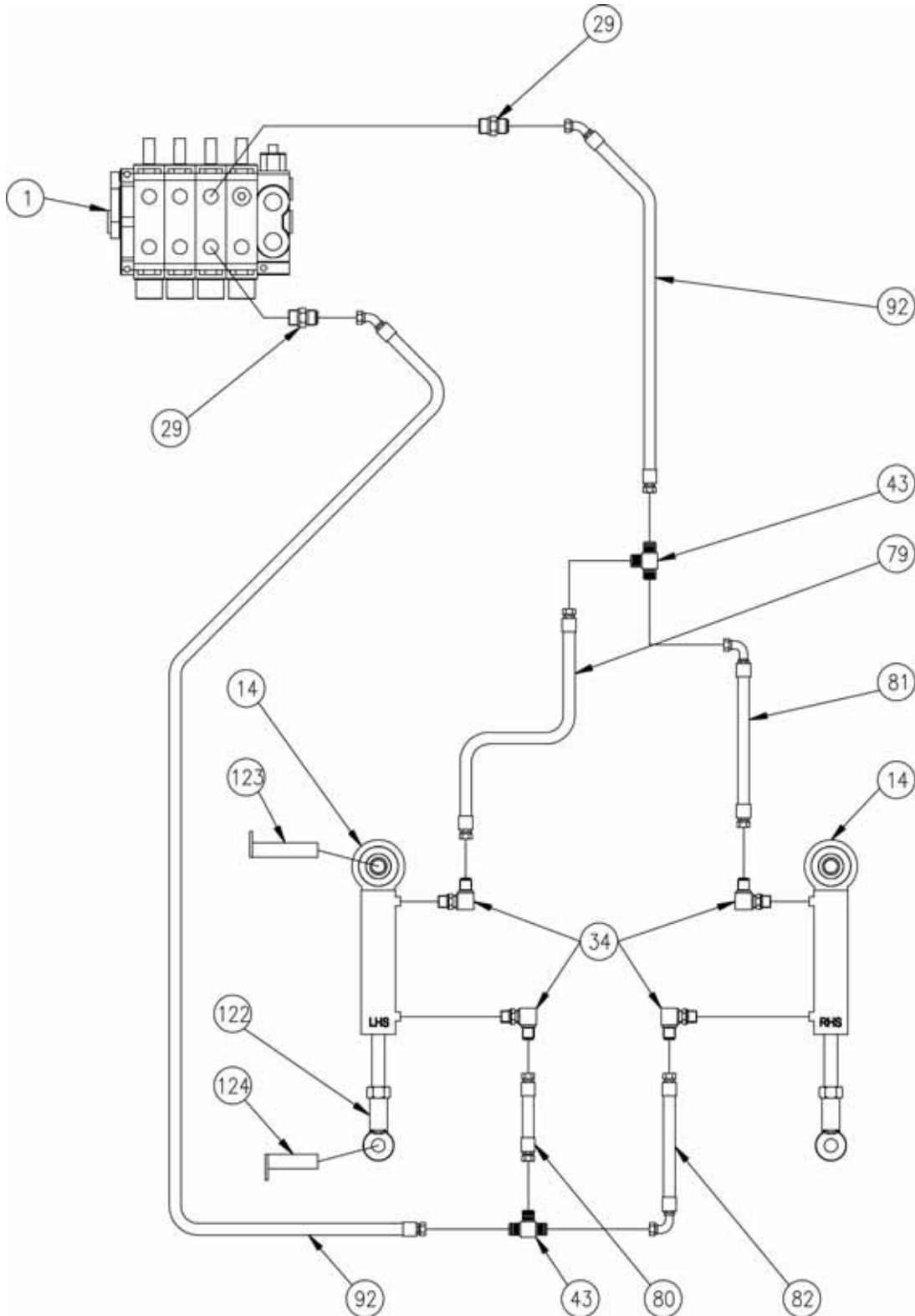
Bullet B260-H-F77B; B260-H-F81B & B260-H-F91B

**LIFT CIRCUIT
(4 Section Valve & 3 Stage Mast) (098-15510)**

ITEM	PART NUMBER	DESCRIPTION	QTY	MODEL Or SERIAL #
1	810-00160	*CONTROL VALVE FOR (4) SECTIONS	1	
3	098-15511	*HYDRAULIC TANK ASSEMBLY (81" & 91" BULLET)	1	
	098-15517	*HYDRAULIC TANK ASSEMBLY (77" BULLET)	1	
12	170-00028	*LIFT CYLINDER	2	
13	098-01636	ACCUMULATOR	1	
17	098-00617	REGULATOR	1	
18	098-00618	REGULATOR BODY	1	
19	098-00360	VELOCITY FUSE	1	
28	330-00230	FITTING STRAIGHT 08 ORB (M)- 08 JIC (M)	1	
30	330-00033	FITTING STRAIGHT 10 ORB (M)- 12 JIC (M)	3	
46	330-00706	FITTING BULKHEAD STRAIGHT 12 JIC (M)	1	
50	330-00709	FITTING TEE 12 JIC (M)- 12 JIC (F)- 12 JIC (M)	2	
62	330-00347	FITTING STRAIGHT 10 ORB (M)- 10 JIC (M)	1	
63	210-00480	BRASS CONNECTOR 06 NPT (M)- 06 HOSE BARB	3	
64	098-00609	BRASS TEE 06 NPT (F)- 06 NPT (M)- 06 NPT (F)	1	
65	210-00610	BRASS 90° ELBOW 06 NPT (M)- 06 HOSE BARB	1	
66	210-00609	HOSE CLAMP	4	
95	098-01728	HOSE 3/4" (VALVE TO ACCUMULATOR'S TEE)	1	
96	098-01729	HOSE 3/4" (ACCUMULATOR'S TEE TO BULKHEAD)	1	
97	098-01730	HOSE 3/4" (BULKHEAD TO MAST REGULATOR)	1	
98	098-01731	HOSE 3/4" (MAST TEE TO LHS & RHS CYLINDERS)	2	
107	098-00616	SNAP RING	2	
108	330-00474	HOSE LIFT CYLINDER VENT	1	
119	098-01662	"U" BOLT	1	

Note: * See Section 10 Component Parts.

**TILT CIRCUIT
(4 Section Valve & 3 Stage Mast) (098-15510)**





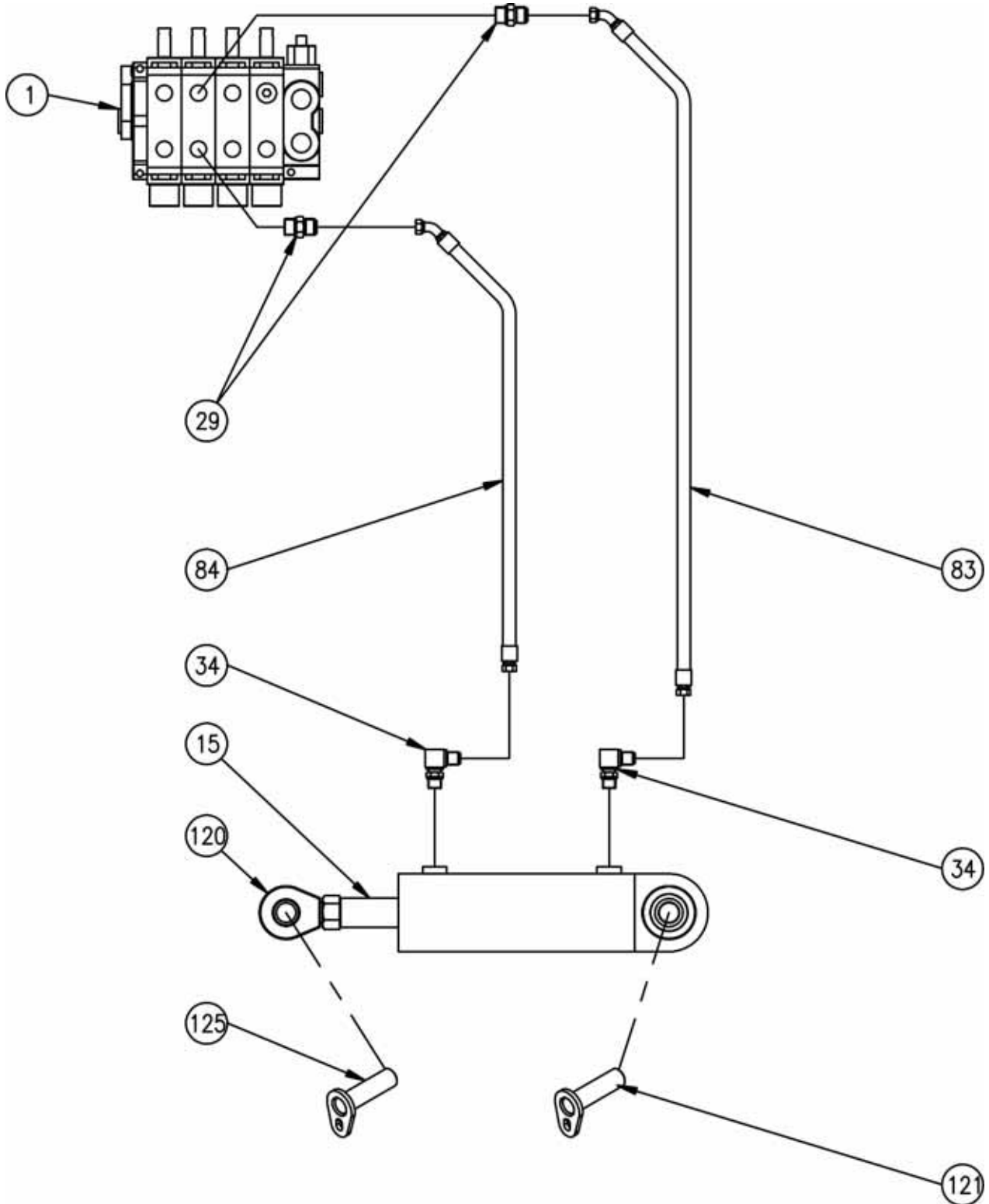
Bullet B260-H-F77B; B260-H-F81B & B260-H-F91B

**TILT CIRCUIT
(4 Section Valve & 3 Stage Mast) (098-15510)**

ITEM	PART NUMBER	DESCRIPTION	QTY	MODEL Or SERIAL #
1	810-00160	*CONTROL VALVE FOUR (4) SECTIONS	1	
14	098-00583	*TILT CYLINDER	2	
29	330-00036	FITTING STRAIGHT 10 ORB (M)- 08 JIC (M)	6	
34	330-00114	FITTING ELBOW 90° ORB (M)- 06 JIC (M)	12	
43	330-00238	FITTING TEE 08 JIC (M)	2	
79	098-01712	HOSE 3/8" (TEE TO LHS TILT CYLINDER BORE SIDE)	1	
80	098-01713	HOSE 3/8" (TEE TO LHS TILT CYLINDER ROD SIDE)	1	
81	098-01714	HOSE 3/8" (TEE TO RHS TILT CYLINDER BORE SIDE)	1	
82	098-01715	HOSE 3/8" (TEE TO RHS TILT CYLINDER ROD SIDE)	1	
92	098-01725	HOSE 1/2" (VALVE TO TEE ON TILT CIRCUIT)	2	
122	098-00779	BEARING ROD END,FEMALE	1	
123	098-00698	TILT CYLINDER PIN - TRUCK END	1	
124	098-00036	TILT CYLINDER PIN - MAST SIDE	1	

Note: * See Section 10 Component Parts.

**SIDESHIFT CIRCUIT
(4 Section Valve & 3 Stage Mast) (098-15510)**





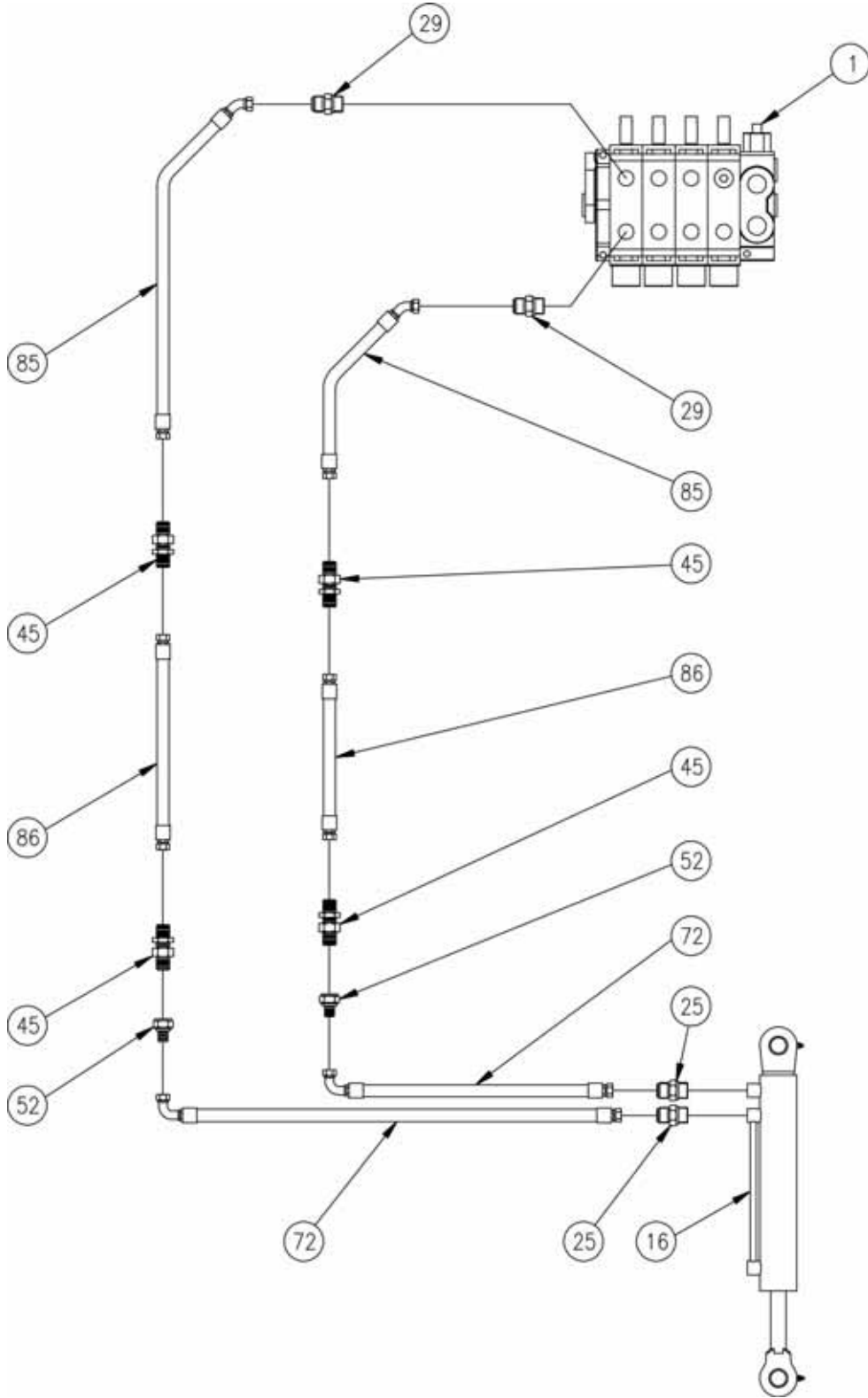
Inc. *Bullet B260-H-F77B; B260-H-F81B & B260-H-F91B*

**SIDESHIFT CIRCUIT
(4 Section Valve & 3 Stage Mast) (098-15510)**

ITEM	PART NUMBER	DESCRIPTION	QTY	MODEL Or SERIAL #
1	810-00160	*CONTROL VALVE FOUR (4) SECTIONS	1	
15	098-00567	*SIDESHIFT CYLINDER	1	
29	330-00036	FITTING STRAIGHT 10 ORB (M)- 08 JIC (M)	6	
34	330-00114	FITTING EBLOW 90° ORB (M)- 06 JIC (M)	12	
83	098-01716	HOSE 3/8" (VALVE TO SS CYLINDER BORE SIDE)	1	
84	098-01717	HOSE 3/8" (VALVE TO SS CYLINDER ROD SIDE)	1	
120	098-00401	*ROD END SIDESHIFT CYLINDER	1	
121	098-15760	SIDE SHIFT CYLINDER PIN (TRUCK SIDE)	1	
125	097-21513	SIDE SHIFT CYLINDER PIN (MAST SIDE)	1	

Note: * See Section 10 Component Parts.

**ROTATOR CIRCUIT
(4 Section Valve & 3 Stage Mast) (098-15510)**





Bullet B260-H-F77B; B260-H-F81B & B260-H-F91B

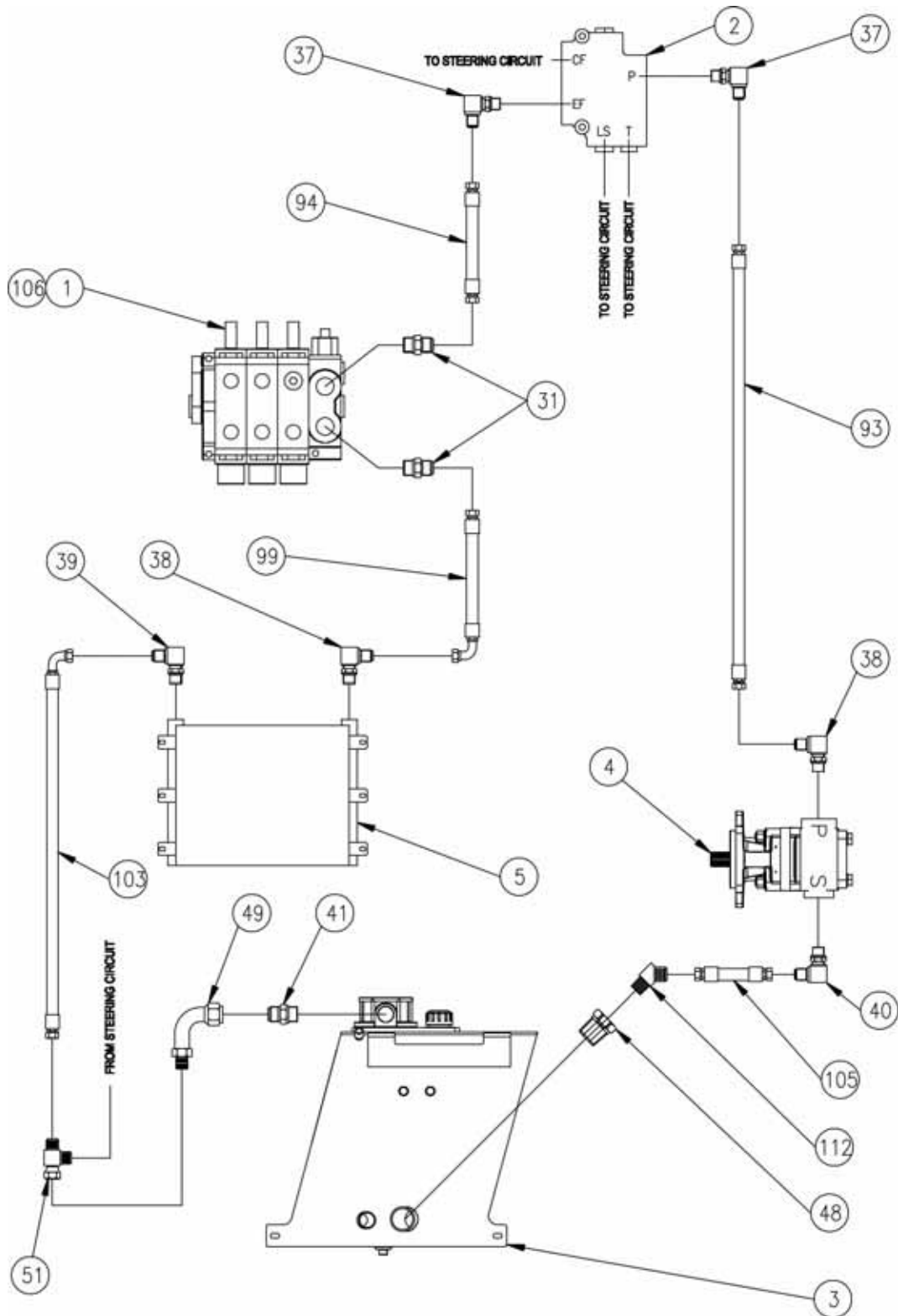
**ROTATOR CIRCUIT
(4 Section Valve & 3 Stage Mast) (098-15510)**

ITEM	PART NUMBER	DESCRIPTION	QTY	MODEL Or SERIAL #
1	810-00160	*CONTROL VALVE FOUR (4) SECTIONS	1	
16	098-01567	*ROTATOR CYLINDER (81" & 91" BULLET)	1	
	170-00014	*ROTATOR CYLINDER (77" BULLET)	1	
25	330-00043	FITTING STRAIGHT 06 ORB (M)- 06 JIC (M)	5	
29	330-00036	FITTING STRAIGHT 10 ORB (M)- 08 JIC (M)	6	
45	330-00659	FITTING BULKHEAD STRAIGHT 08 JIC (M)	8	
52	330-00103	FITTING REDUCER 08 JIC (F)- 06 JIC (M)	2	
72	098-01705	**HOSE 1/4" (BULKHEAD TO ROTATOR CYLINDER)	2	
85	098-01718	**HOSE 3/8" (VALVE TO MAST BULKHEAD)	2	
86	098-01719	**HOSE 3/8" (HOSE IN THE HOSE ROLLER)	2	

Note: * See Section10 Component Parts.

Note: ** Does not apply to 77" Bullet.

**MAIN CIRCUIT
(3 Section Valve & 2 Stage Mast) (098-15514)**





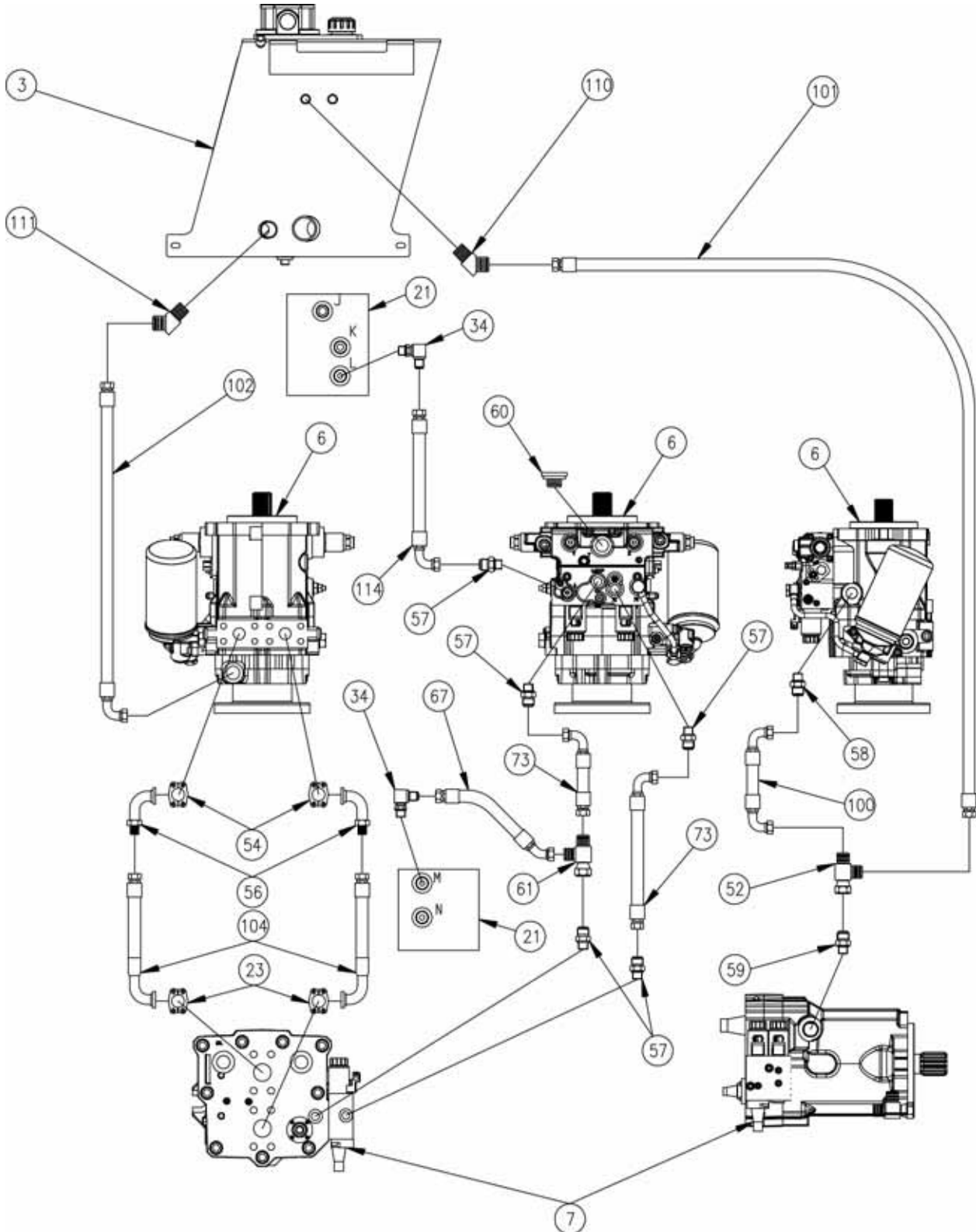
Inc. B260-H-F81B & B260-H-D91B

**MAIN CIRCUIT
(3 Section Valve & 2 Stage Mast) (098-15514)**

ITEM	PART NUMBER	DESCRIPTION	QTY	MODEL Or SERIAL #
1	810-00155	*CONTROL VALVE FOR (3) SECTIONS	1	
2	098-01496	PRIORITY VALVE	1	
3	098-15511	*HYDRAULIC TANK ASSEMBLY	1	
4	430-00169	HYDRAULIC PUMP	1	
5	098-00876	OIL COOLER	1	
31	330-00037	FITTING STRAIGHT 12 ORB (M) - 12 JIC (M)	2	
37	330-00108	FITTING ELBOW 90° 12 ORB (M) - 12 JIC (M)	2	
38	330-00110	FITTING ELBOW 90° 16 ORB (M) - 12 JIC (M)	2	
39	330-00111	FITTING ELBOW 90° 16 ORB (M) - 16 JIC (M)	1	
40	330-00704	FITTING ELBOW 90° 20 ORB (M) - 24 JIC (M)	1	
41	330-00705	FITTING STRAIGHT 24 ORB (M) - 16 JIC (M)	1	
48	330-00707	FITTING REDUCER 32 NPT (M) - 24 NPT (F)	1	
49	330-00708	FITTING LONG ELBOW 90° 16 JIC (M) - 16 JIC (F)	1	
51	330-00554	FITTING TEE 16 JIC (F) - 16 JIC (M) - 16 JIC (M)	2	
93	098-01726	HOSE 3/4" (HYD. PUMP TO PORT PRIORITY)	1	
94	098-01727	HOSE 3/4" (PORT EF PRIORITY TO VALVE)	1	
99	098-01732	HOSE 3/4" (VALVE TO OIL COOLER)	1	
103	098-01736	HOSE 1" (OIL COOLER TO TEE RETURN FILTER)	1	
105	098-01738	HOSE 1-1/2" (HYDRAULIC PUMP SUCTION LINE)	1	
106	810-00004	CONTROL VALVE HANDLE KIT	4	
112	330-00720	FITTING ELBOW 45° 24 NPT (M) - 24 JIC (M)	1	

Note: * See Section 10 Component Parts.

**DRIVE CIRCUIT
(3 Section Valve & 2 Stage Mast) (098-15514)**





Inc. B260-H-F81B & B260-H-D91B

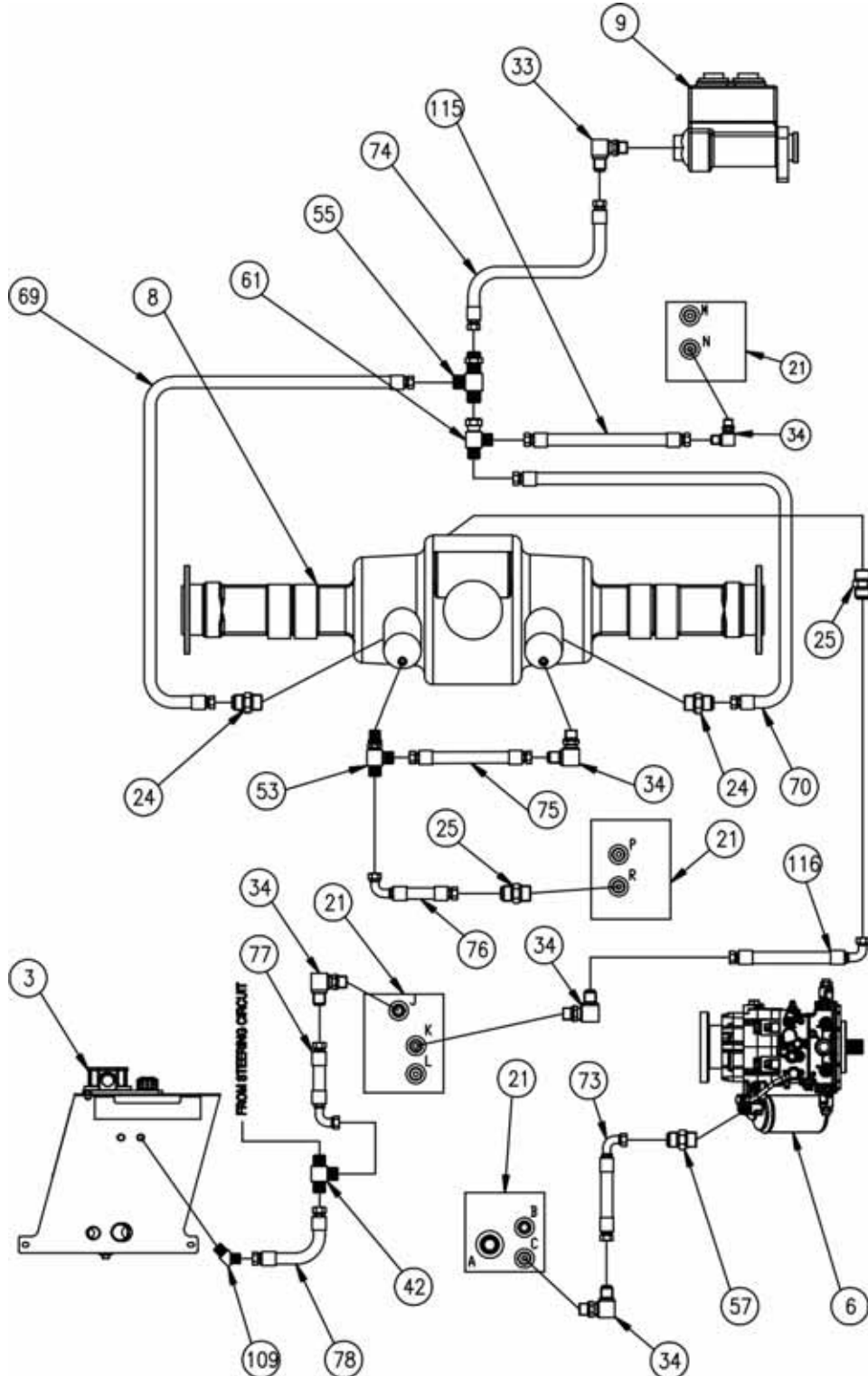
**DRIVE CIRCUIT
(3 Section Valve & 2 Stage Mast) (098-15514)**

ITEM	PART NUMBER	DESCRIPTION	QTY	MODEL Or SERIAL #
3	098-15511	* HYDRAULIC TANK ASSEMBLY	1	
6	098-01518	HYDROSTATIC PUMP WITH AUTOMOTIVE CONTROL	1	
7	098-01519	HYDROSTATIC MOTOR WITH AUTOMOTIVE CONTROL	1	
21	098-15513	* CONTROL BLOCK ASSEMBLY (NEW HOLLAND DRIVE AXLE)	1	
21	098-155548	* CONTROL BLOCK ASSEMBLY (DANA DRIVE AXLE)	1	
23	330-00493	SPLIT FLANGE KIT WITH M14 BOLT	2	
34	330-00114	FITTING ELBOW 90° 06 ORB (M)-06 JIC (M)	12	
52	330-00733	FITTING TEE 12 JIC (F)- 12 JIC (M)- 12 JIC (M)	1	
54	330-00339	SPLIT FLANGE KIT 16 WITH M 12 BOLTS	2	
56	330-00713	FITTING ELBOW 90° 16 FL CODE 62- 16 JIC (M)	2	
57	330-00714	FITTING STRAIGHT M 14 X 1.5 (M)- 06 JIC (M)	6	
58	330-00715	FITTING STRAIGHT M 22 X 1.5 (M)- 12 JIC (M)	1	
59	330-00716	FITTING STRAIGHT M 27 X 2 (M)- 12 JIC (M)	1	
60	330-00717	PLUG M 22 X 1.5	1	
61	330-00722	FITTING TEE 06 JIC (F)- 06 JIC (M)- 06 JIC (M)	2	
67	098-01700	HOSE 3/8" (TEE MSP-PSP TO M CONTROL BLOCK)	2	
73	098-01706	HOSE 3/8" (MSP TO PSP; X 1 TO X; CHARGE PRES.)	3	
100	098-01733	HOSE 3/4" (PUMP DRAIN TO MOTOR DRAIN TEE)	1	
101	098-01734	HOSE 3/4" (TEE MOTOR DRAIN TO HYD. TANK)	1	
102	098-01735	HOSE 1" (CHARGE PUMP SUCTION)	1	
104	098-01737	HOSE 1" (HYDROSTATIC PUMP TO MOTOR)	2	
110	330-00256	FITTING ELBOW 45° 12 NPT (M)- 12 JIC (M)	1	
111	330-00719	FITTING ELBOW 45° 20 NPT (M)- 20JIC (M)	1	
114	098-01740	HOSE 3/8" ("L" PUMP TO "L" CONTROL BLOCK)	1	

Note: * See Section 10 Component Parts.

*****NEW HOLLAND AXLE*****

**BRAKES (SERVICE & PARKING) & DIFF. LOCK CIRCUIT
(3 Section Valve & 2 Stage Mast) (098-15514)**





B260-H-F81B & B260-H-D91B

*****NEW HOLLAND AXLE*****

**BRAKES (SERVICE & PARKING) & DIFF. LOCK CIRCUIT
(3 Section Valve & 2 Stage Mast) (098-15514)**

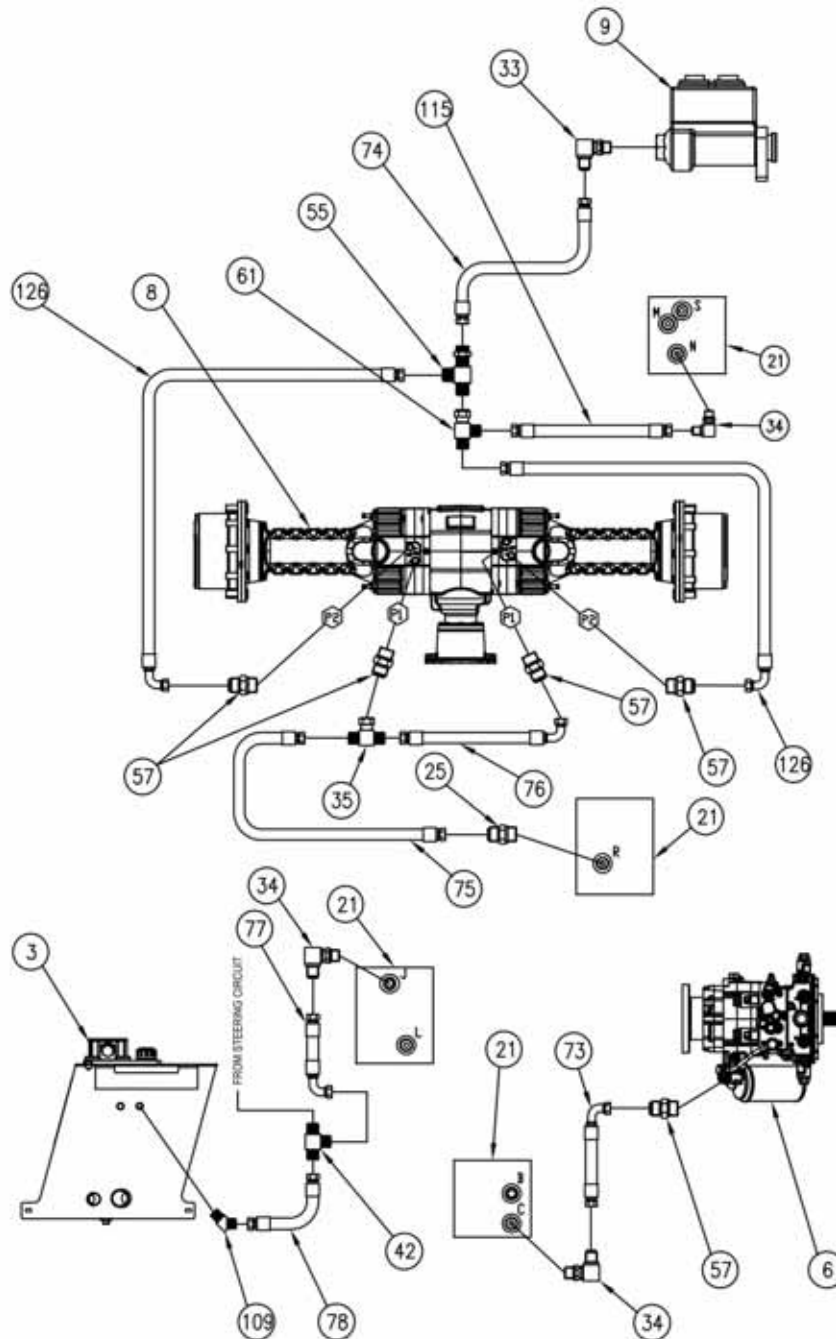
ITEM	PART	DESCRIPTION	QTY	MODEL Or SERIAL #
3	098-15511	*HYDRAULIC TANK ASSEMBLY	1	
6	098-01518	HYDROSTATIC PUMP WITH AUTOMOTIVE CONTROL	1	
8	098-15450	DRIVE AXLE ASSEMBLY	1	
9	098-00204	MASTER CYLINDER	1	
21	098-15513	CONTROL BLOCK ASSEMBLY	1	
24	330-00042	FITTING STRAIGHT 04 ORB (M)- 04 JIC (M)	4	
25	330-00043	FITTING STRAIGHT 06 ORB (M)- 06 JIC (M)	5	
33	330-00702	FITTING ELBOW 90° 05 ORB (M)- 06 JIC (M)	1	
34	330-00114	FITTING ELBOW 90° 06 ORB (M)- 06 JIC (M)	13	
42	330-00658	FITTING BULKHEAD STRAIGHT 06 JIC (M)	1	
55	330-00711	FITTING TEE 06 ORB (M)- 06 JIC (M)- 06 JIC (M)	1	
53	330-00712	FITTING BULKHEAD TEE 06 JIC (M)	1	
57	330-00714	FITTING STRAIGHT M 14 X 1.5 (M)- 06 JIC (M)	6	
61	330-00722	FITTING TEE 06 JIC (F)- 06 JIC (M)- 06 JIC (M)	2	
69	098-01702	HOSE 1/4" (TEE BULKHEAD TO LHS BRAKE POD)	1	
70	098-01703	HOSE 1/4" (TEE BULKHEAD TO RHS BRAKE POD)	1	
73	098-01706	HOSE 3/8" (MSP TO PSP; X 1 TO X; CHARGE PRES.)	3	
74	098-01707	HOSE 3/8" (MASTER CYLINDER TO TEE BULKHEAD)	1	
75	098-01708	HOSE 3/8" (BETWEEN THE BRAKE PODS)	1	
76	098-01709	HOSE 3/8" ("R" CONTROL BLOCK TO TEE LHS POD)	1	
77	098-01710	HOSE 3/8" ("J" CONTROL BLOCK TO TEE RETURN)	1	
78	098-01711	HOSE 3/8" (TEE RETURN TO HYD. TANK)	1	
109	330-00718	FITTING ELBOW 45° 12 NPT (M)- 08 JIC (M)	1	
115	098-01741	HOSE 3/8" (TEE MASTER CYL. TO "N" CONT. BLOCK)	1	
116	098-01742	HOSE 3/8" ("K" CONTROL BLOCK TO DIFF. LOCK)	1	

Note: * See Section 10 Component Parts.



*****DANA AXLE*****

**BRAKES (SERVICE & PARKING) & DIFF. LOCK CIRCUIT
(3 Section Valve & 2 Stage Mast) (098-15519)**





B260-H-F81B & B260-H-D91B



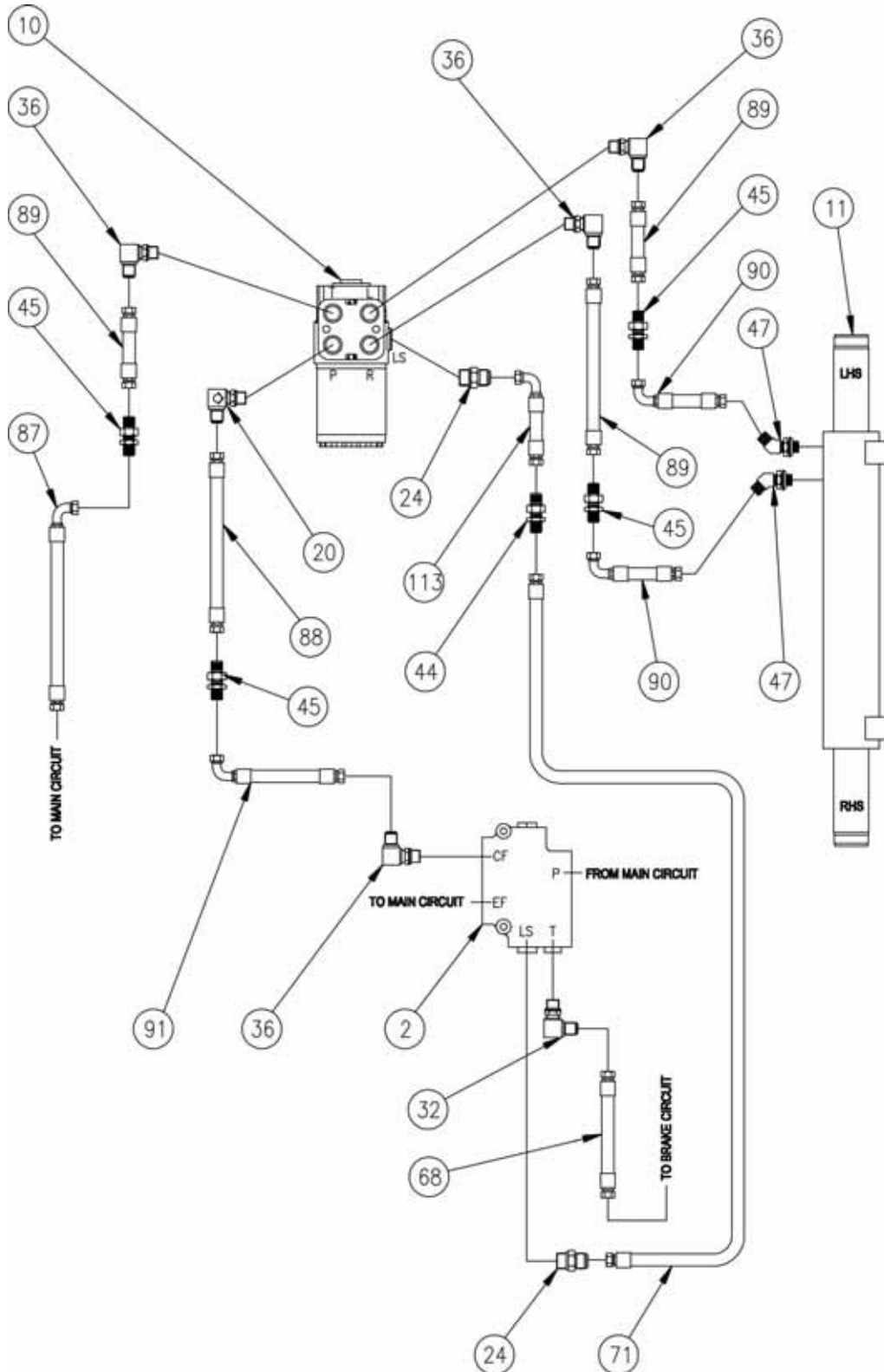
*****DANA AXLE*****

**BRAKES (SERVICE & PARKING) & DIFF. LOCK CIRCUIT
(3 Section Valve & 2 Stage Mast) (098-15519)**

ITEM	PART	DESCRIPTION	QTY	MODEL Or SERIAL #
3	098-15511	HYDRAULIC TANK ASSEMBLY	1	
6	098-01518	HYDROSTATIC PUMP WITH AUTOMOTIVE CONTROL	1	
8	098-15450	DRIVE AXLE ASSEMBLY	1	
9	098-00204	MASTER CYLINDER	1	
21	098-15548	* CONTROL BLOCK ASSEMBLY (DANA AXLE)	1	
25	330-00043	FITTING STRAIGHT 06 ORB (M)-06 JIC (M)	1	
27	330-00669	SOCKET HEAD PLUG (06 ORB)	1	
33	330-00702	FITTING ELBOW 90° 05 ORB (M) - 06 JIC (M)	1	
34	330-00114	FITTING ELBOW 90° 06 ORB (M) - 06 JIC (M)	2	
35	330-00774	FITTING TEE 06 (JICF) - 06 JIC (M) 06 JIC (M)	1	
42	330-00241	FITTING TEE 06 JIC (M)	1	
55	330-00712	FITTING BULKHEAD TEE 06 JIC (M)	1	
57	330-00714	FITTING STRAIGHT M14X1.5 (M) - 06 JIC (M)	5	
61	330-00722	FITTING TEE 06 JIC (F) - 06 JIC (M) - 06 JIC (M)	1	
73	098-01706	HOSE 3/8" (MSP TO PSP; X1 TO X; CHARGE PRES.	1	
74	098-01707	HOSE 3/8" (MASTER CYL. TO TEE BULKHEAD)	1	
75	098-01708	HOSE 3/8" (BETWEEN THE BRAKE PODS)	1	
76	098-01709	HOSE 3/8" ("R" CONTROL BLOCK TO TEE LHS POD)	1	
77	098-01710	HOSE 3/8" ("J) CONTROL BLOCK TO TEE RETURN)	1	
78	098-01711	HOSE 3/8" (TEE RETURN TO HYD. TANK)	1	
109	330-00718	FITTING ELBOW 45° 12 NPT (M) -08 JIC (M)	1	
115	098-01741	HOSE 3/8" (TEE MASTER CYL. TO "N" CONTROL BLOCK)	1	
126	098-01796	HOSE 1/4" (TEE BULKHEAD TO SERVICE BRAKE)	2	

Note: * See Section 10 Component Parts.

**STEERING CIRCUIT
(3 Section Valve & 2 Stage Mast) (098-15514)**





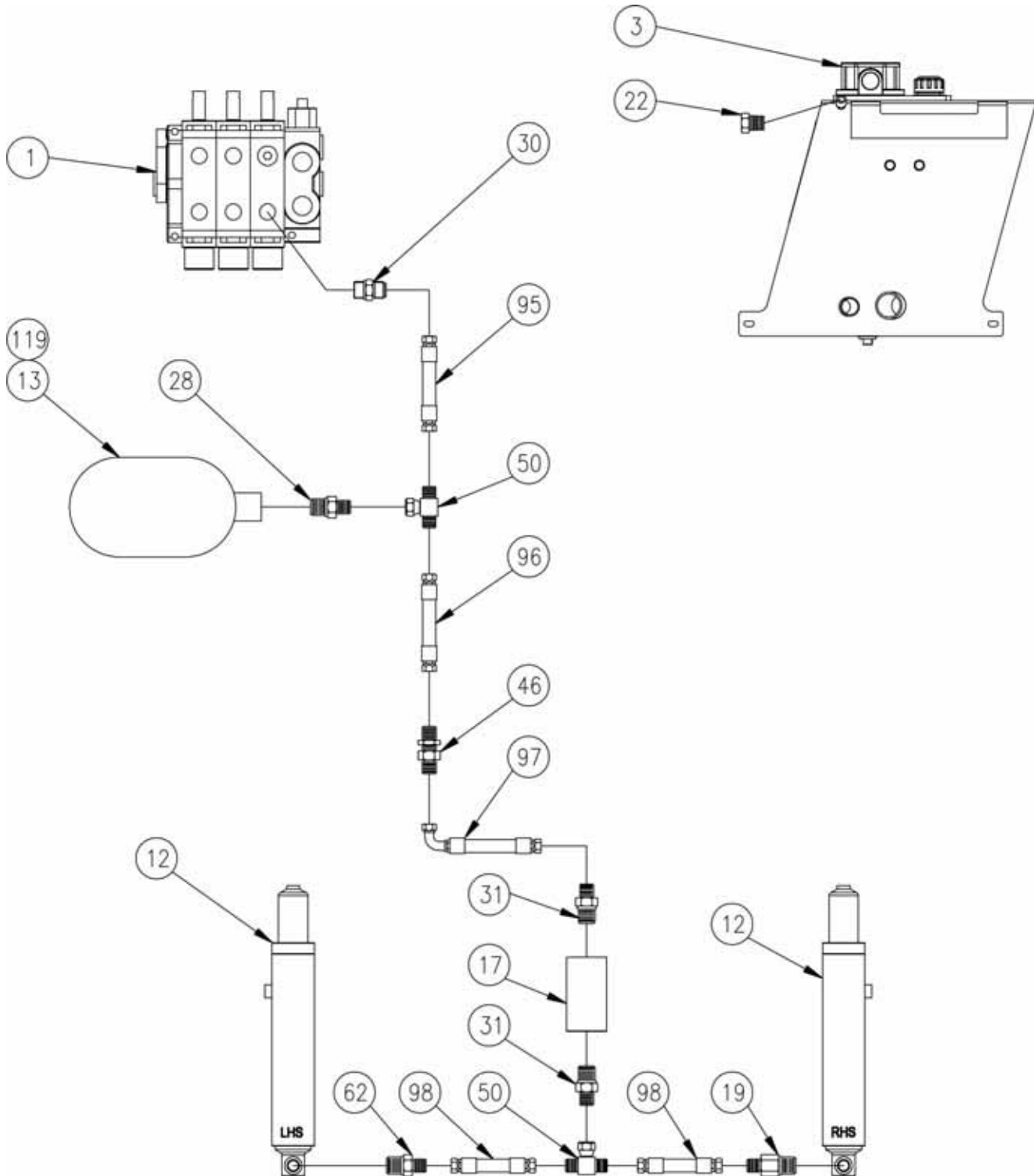
Inc. B260-H-F81B & B260-H-D91B

**STEERING CIRCUIT
(3 Section Valve & 2 Stage Mast) (098-15514)**

ITEM	PART	DESCRIPTION	QTY	MODEL Or SERIAL #
2	098-01496	PRIORITY VALVE	1	
10	098-01497	STEERING CONTROL UNIT	1	
11	098-00418	*STEER CYLINDER	1	
20	098-00694	CHECK VALVE	1	
24	330-00042	FITTING STRAIGHT 04 ORB (M)- 04 JIC (M)	4	
32	330-00565	FITTING ELBOW 90° 04 ORB (M)- 04 JIC (M)	1	
36	330-00115	FITTING ELBOW 90° 08 ORB (M)- 08 JIC (M)	4	
44	330-00658	FITTING BULKHEAD STRAIGHT 06 JIC (M)	1	
45	330-00659	FITTING BULKHEAD STRAIGHT 08 JIC (M)	8	
47	330-00562	FITTING ELBOW 45° 08 ORB (M)- 08 JIC (M)	2	
68	098-01701	HOSE 1/4" (T PORT PRIORITY TO TEE RETURN LINE)	1	
71	098-01704	HOSE 1/4" (LS PORT PRIORITY TO BULKHEAD)	1	
87	098-01720	HOSE 1/2" (BULKHEAD TO TEE ON RETURN FILTER)	1	
88	098-01721	HOSE 1/2" (P PORT STEERING UNIT TO BULKHEAD)	1	
89	098-01722	HOSE 1/2" (T, L & R PORTS ST. UNIT OT BULKHEAD)	3	
90	098-01723	HOSE 1/2" (BULKHEAD TO STEER CYLINDER)	2	
91	098-01724	HOSE 1/2" (C F PORT PRIORITY TO BULKHEAD)	1	
113	098-01739	HOSE 1/4" (LS PORT STEER UNIT OT BULKHEAD)	1	

Note: * See Section 10 Component Parts.

**LIFT CIRCUIT
(3 Section Valve & 2 Stage Mast) (098-15514)**





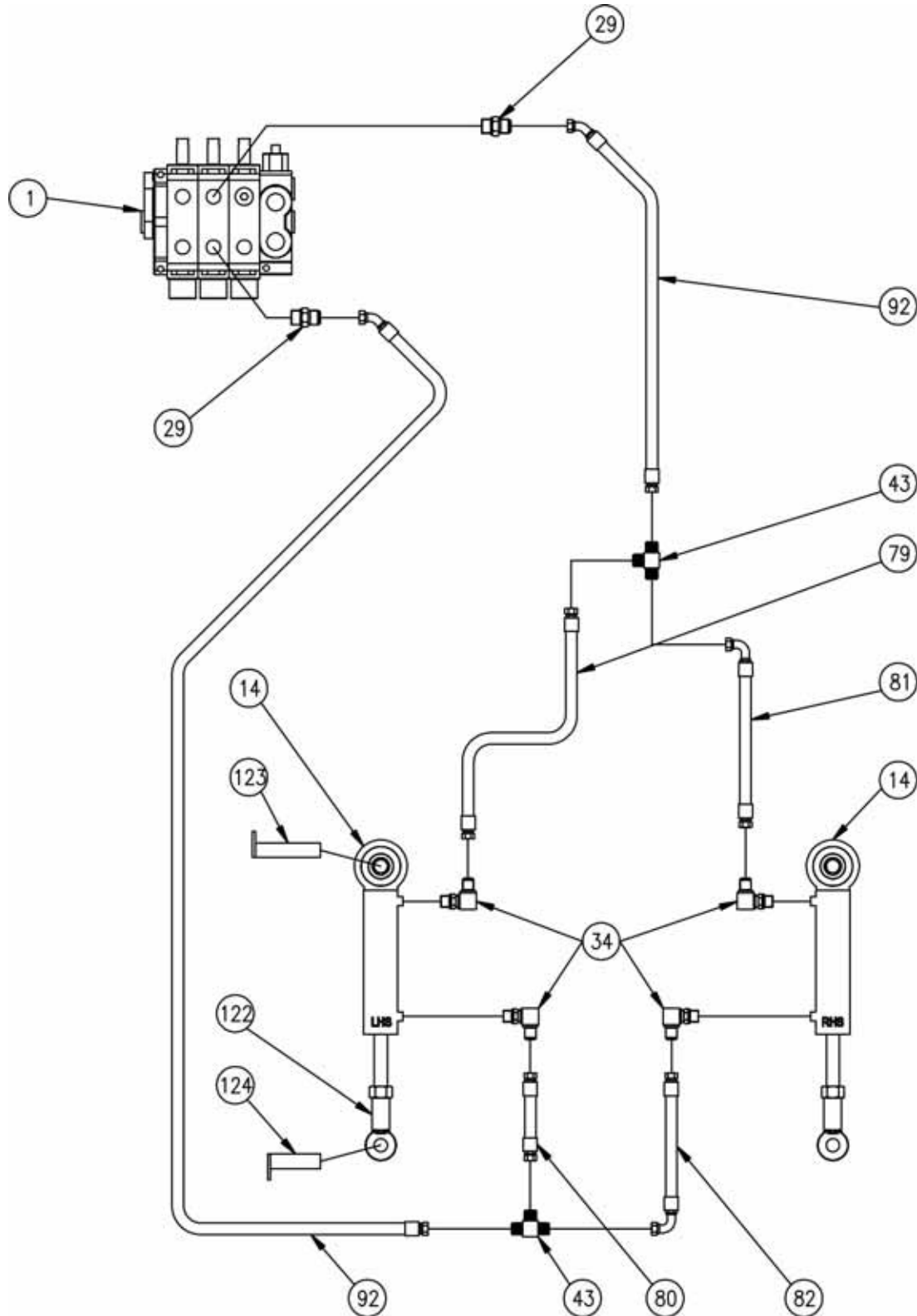
Inc. B260-H-F81B & B260-H-D91B

**LIFT CIRCUIT
(3 Section Valve & 2 Stage Mast) (098-15514)**

ITEM	PART	DESCRIPTION	QTY	MODEL Or SERIAL #
1	810-00155	*CONTROL VALVE FOR (3) SECTIONS	1	
3	098-15511	*HYDRAULIC TANK ASSEMBLY	1	
12	098-00386	*LIFT CYLINDER	2	
13	098-01636	ACCUMULATOR	1	
17	098-00361	REGULATOR	1	
19	098-00360	VELOCITY FUSE	1	
22	330-00739	PLUG 3/8 NPT	1	
28	330-00230	FITTING STRAIGHT 08 ORB (M)- 08 JIC (M)	1	
30	330-00033	FITTING STRAIGHT 10 ORB (M)- 12 JIC (M)	1	
46	330-00706	FITTING BULKHEAD STRAIGHT 12 JIC (M)	1	
50	330-00709	FITTING TEE 12 JIC (M)- 12 JIC (F)- 12 JIC (M)	2	
62	330-00347	FITTING STRAIGHT 10 ORB (M)- 10 JIC (M)	1	
95	098-01728	HOSE 3/4" (VALVE TO ACCUMULATOR'S TEE)	1	
96	098-01729	HOSE 3/4" (ACCUMULATOR'S TEE TO BULKHEAD)	1	
97	098-01730	HOSE 3/4" (BULKHEAD TO MAST REGULATOR)	1	
98	098-01731	HOSE 3/4" (MAST TEE TO LHS & RHS CYLINDERS)	2	
119	098-01662	"U" BOLT	1	

Note: * See Section 10 Component Parts.

**TILT CIRCUIT
(3 Section Valve & 2 Stage Mast) (098-15514)**





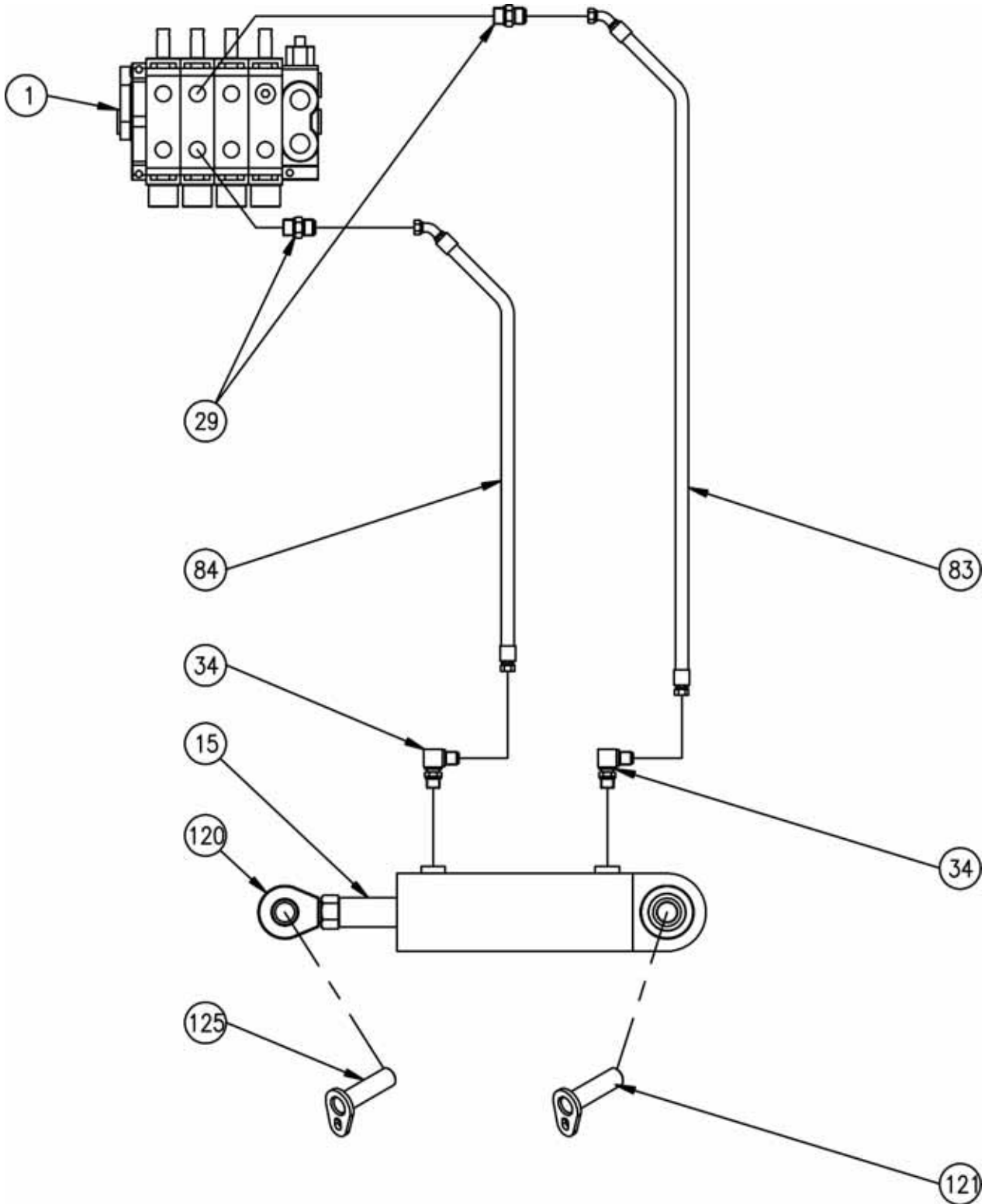
B260-H-F81B & B260-H-D91B

**TILT CIRCUIT
(3 Section Valve & 2 Stage Mast) (098-15514)**

ITEM	PART	DESCRIPTION	QTY	MODEL Or SERIAL #
1	810-00155	*CONTROL VALVE FOR (3) SECTIONS	1	
14	098-00583	*TILT CYLINDER	2	
29	330-00036	FITTING STRAIGHT 10 ORB (M)- 08 JIC (M)	4	
34	330-00114	FITTING ELBOW 90° ORB (M)- 06 JIC (M)	12	
43	330-00238	FITTING TEE 08 JIC (M)	2	
79	098-01712	HOSE 3/8" (TEE TO LHS TILT CYLINDER BORE SIDE)	1	
80	098-01713	HOSE 3/8" (TEE TO LHS TILT CYLINDER ROD SIDE)	1	
81	098-01714	HOSE 3/8" (TEE TO RHS TILT CYLINDER BORE SIDE)	1	
82	098-01715	HOSE 3/8" (TEE TO RHS TILT CYLINDER ROD SIDE)	1	
92	098-01725	HOSE 1/2" (VALVE TO TEE ON TILT CIRCUIT)	2	
122	098-00779	BEARING ROD END,FEMALE	1	
123	098-00698	TILT CYLINDER PIN - TRUCK END	1	
124	098-00036	TILT CYLINDER PIN - MAST SIDE	1	

Note: * See Section 10 Component Parts.

**SIDESHIFT CIRCUIT
(3 Section Valve & 2 Stage Mast) (098-15514)**





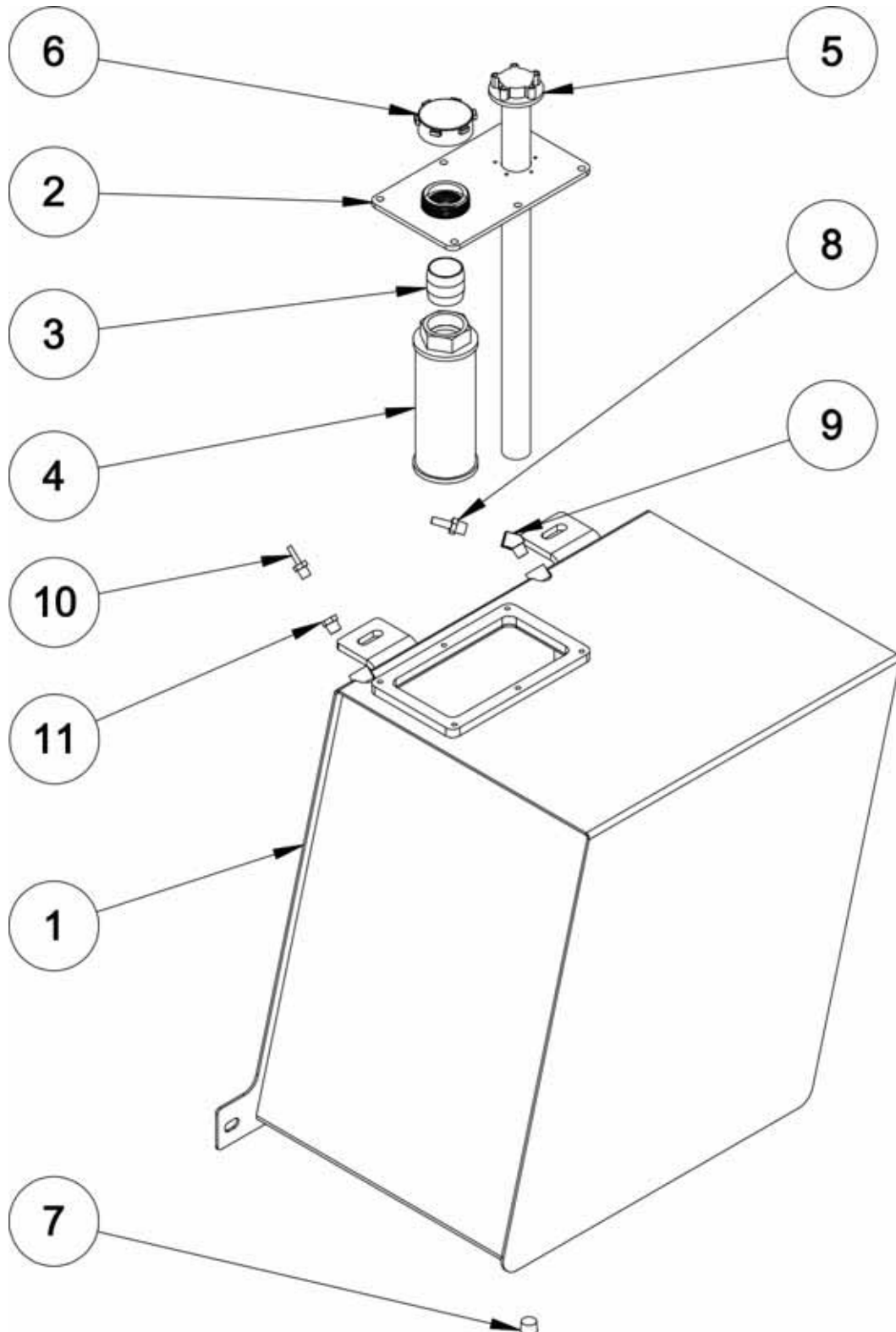
B260-H-F81B & B260-H-D91B

**SIDESHIFT CIRCUIT
(3 Section Valve & 2 Stage Mast) (098-15514)**

ITEM	PART	DESCRIPTION	QTY	MODEL Or SERIAL #
1	810-00155	*CONTROL VALVE FOR (3) SECTIONS	1	
15	098-00567	*SIDESHIFT CYLINDER 1		
29	330-00036	FITTING STRAIGHT 10 ORB (M)- 08 JIC (M)	6	
34	330-00114	FITTING EBLow 90° ORB (M)- 06 JIC (M)	12	
83	098-01716	HOSE 3/8" (VALVE TO SS CYLINDER BORE SIDE)	1	
84	098-01717	HOSE 3/8" (VALVE TO SS CYLINDER ROD SIDE)	1	
120	098-00401	*ROD END SIDESHIFT CYLINDER	1	
121	098-15760	SIDE SHIFT CYLINDER PIN (TRUCK SIDE) (3 1/2" LONG)	1	
125	097-21513	SIDE SHIFT CYLINDER PIN (MAST SIDE) (3" LONG)	1	

Note: * See Section 10 Component Parts.

**FUEL CIRCUIT
(098-15520)**



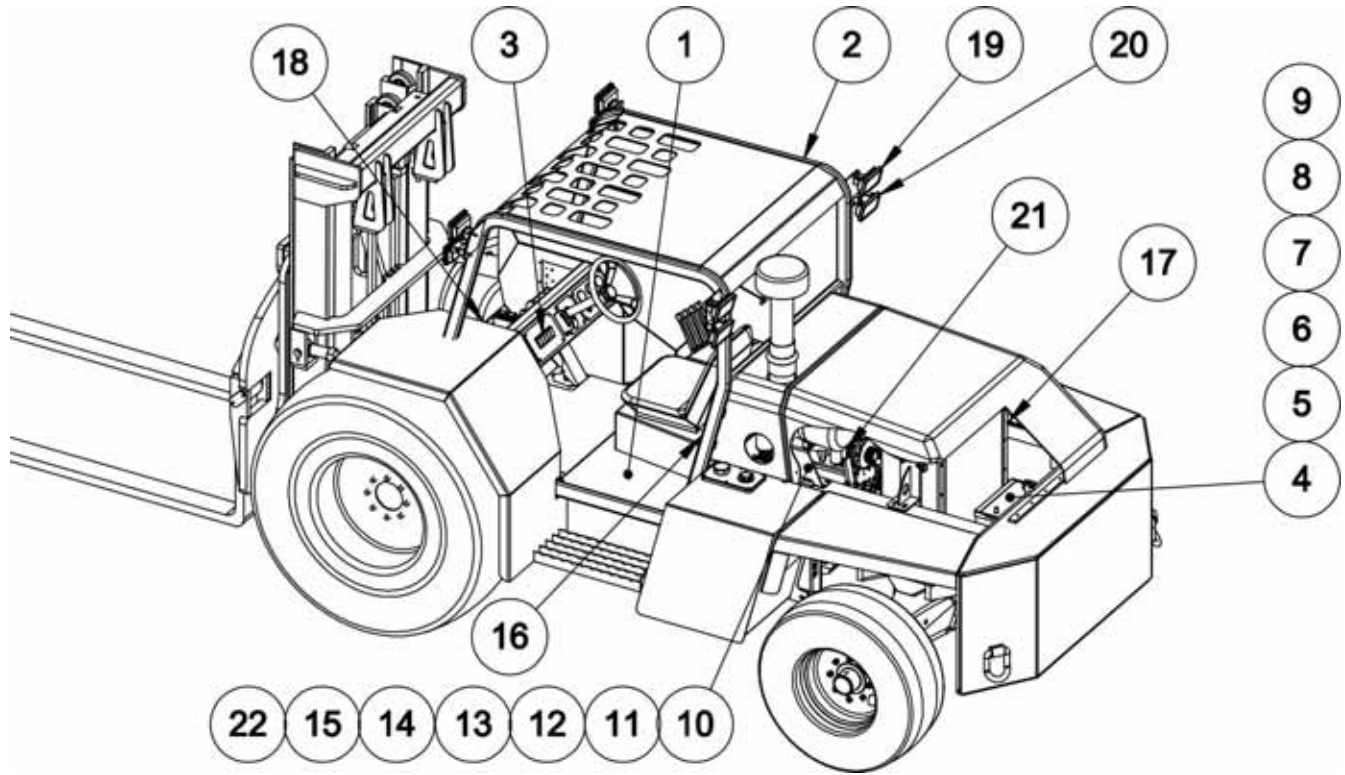


Bullet B260-H-F77B; B260-H-F81B & B260-H-F91B

**FUEL CIRCUIT
(098-15520)**

ITEM	PART	DESCRIPTION	QTY	MODEL Or SERIAL #
1	098-15522	FUEL TANK (81" & 91" BULLET)	1	
	098-15524	FUEL TANK (77" BULLET)	1	
2	097-21528	CLEANOUT COVER WELDMENT	1	
3	510-00216	NIPPLE CLOSE	1	
4	097-20191	TANK STRAINER	1	
5	098-01506	FUEL SENDING UNIT	1	
6	430-00350	FUEL CAP 2"	1	
7	510-00151	PLUG PIPE SOCKET HD	1	
8	098-01258	HOSE BARB ADAPTER	1	
9	330-00194	3/8" BRASS STREET ELBOW 45°	1	
10	300-00436	HOSE BARB ADAPTER	1	
11	030-00041	REDUCER BUSHING 3/4" - 1/4"	1	
12	098-01256	INLINE STRAINER (NOT SHOWN)	1	
13	430-00268	5/16" FUEL LINE (INLET) AS	REQ'D	
14	430-00725	3/16" FUEL LINE (RETURN) AS	REQ'D	

**ELECTRICAL CIRCUIT
(FIELD LOADER) (098-15530)**



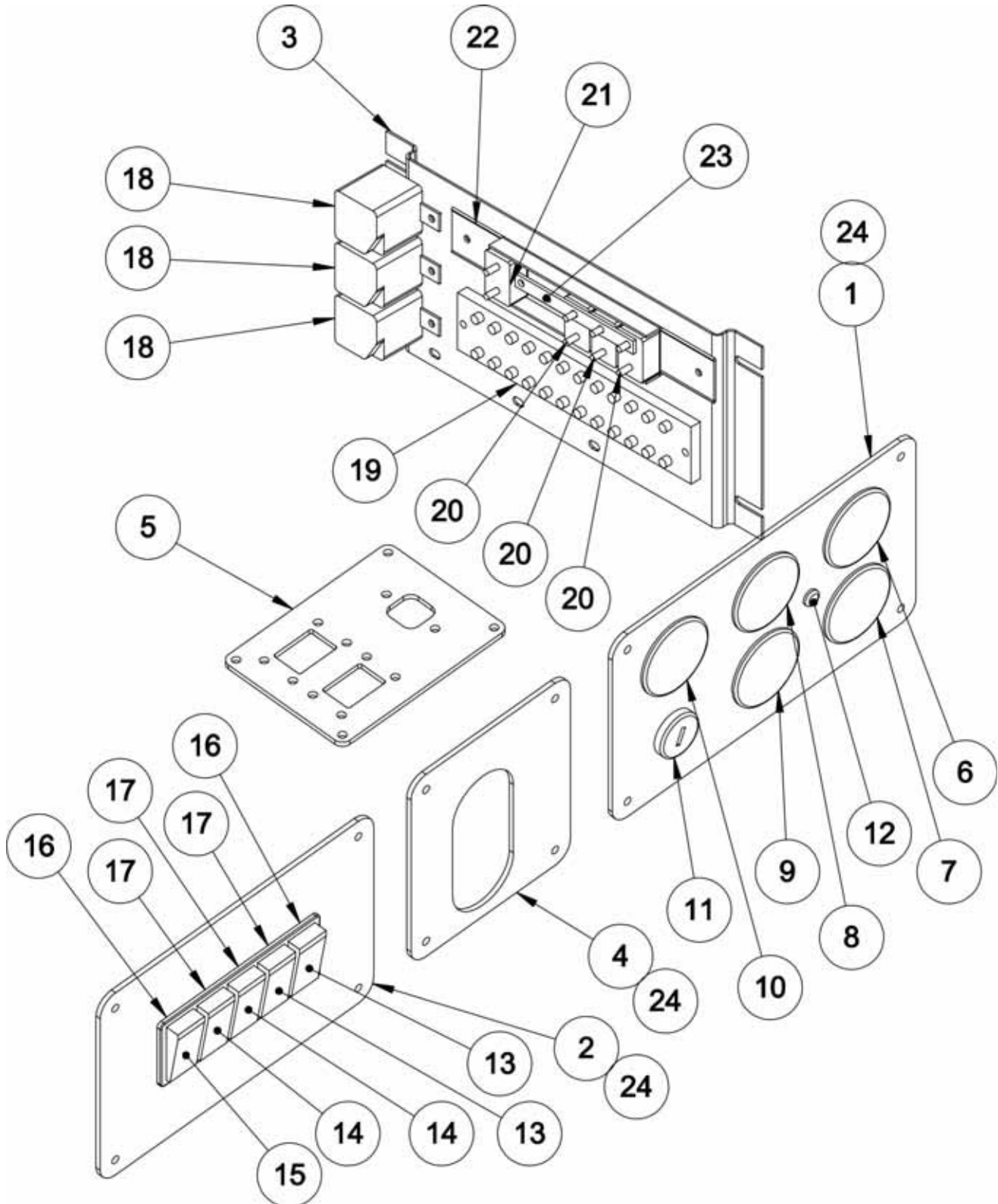


Bullet B260-H-F77B & B260-H-F81B

**ELECTRICAL CIRCUIT
(FIELD LOADER) (098-15530)**

ITEM	PART	DESCRIPTION	QTY	MODEL Or SERIAL #
1	098-15531	MAIN HARNESS	1	
2	098-15532	CAB LIGHT HARNESS	1	
3	098-15540	DASH & POWERBOARD ASSEMBLY	1	
4	430-00375	BATTERY	1	
5	097-21531	BATTERY HOLDER WELDMENT	1	
6	097-20610	J HOLD DOWN	1	
7	098-15533	BATTERY CABLE (BATT. POST+ TO MAIN SWITCH	1	
8	097-21540	BATTERY CABLE (BATTERY POST- TO FRAME)	1	
9	098-15534	BATTERY CABLE (MAIN SWITCH TO STARTER)	1	
10	098-01502	STARTER & GRID HEATER POWER SOLENOID	2	
11	098-15535	POWER SOLENOID GROUND CABLE	1	
12	098-15536	SOLENOID POWER CABLE (MAIN SWITCH TO POWER SOLENOID 1)	1	
13	098-15537	SOLENOID POWER JUMPER (POWER SOLENOID 1 TO POWER SOLENOID 2)	1	
14	098-15538	SOLENOID TO GRID HEATER CABLE	1	
15	098-1539	SOLENOID TO STARTER CABLE	1	
16	097-20346	MAIN SWITCH	1	
17	430-00196	BACKUP ALARM	1	
18	430-00195	HORN	1	
19	097-20322	WHITE LED WORKING LIGHT	4	
20	097-20323	RED LED WORKING LIGHT	4	
21	098-15542	SPECIAL WIRE W / DIODE & RESISTOR FOR ALTERNATOR	1	
22	098-15546	SOLENOID TO ALTERNATOR CABLE	1	

**DASH & POWERBOARD ASSEMBLY
(FIELD LOADER) (098-15540)**



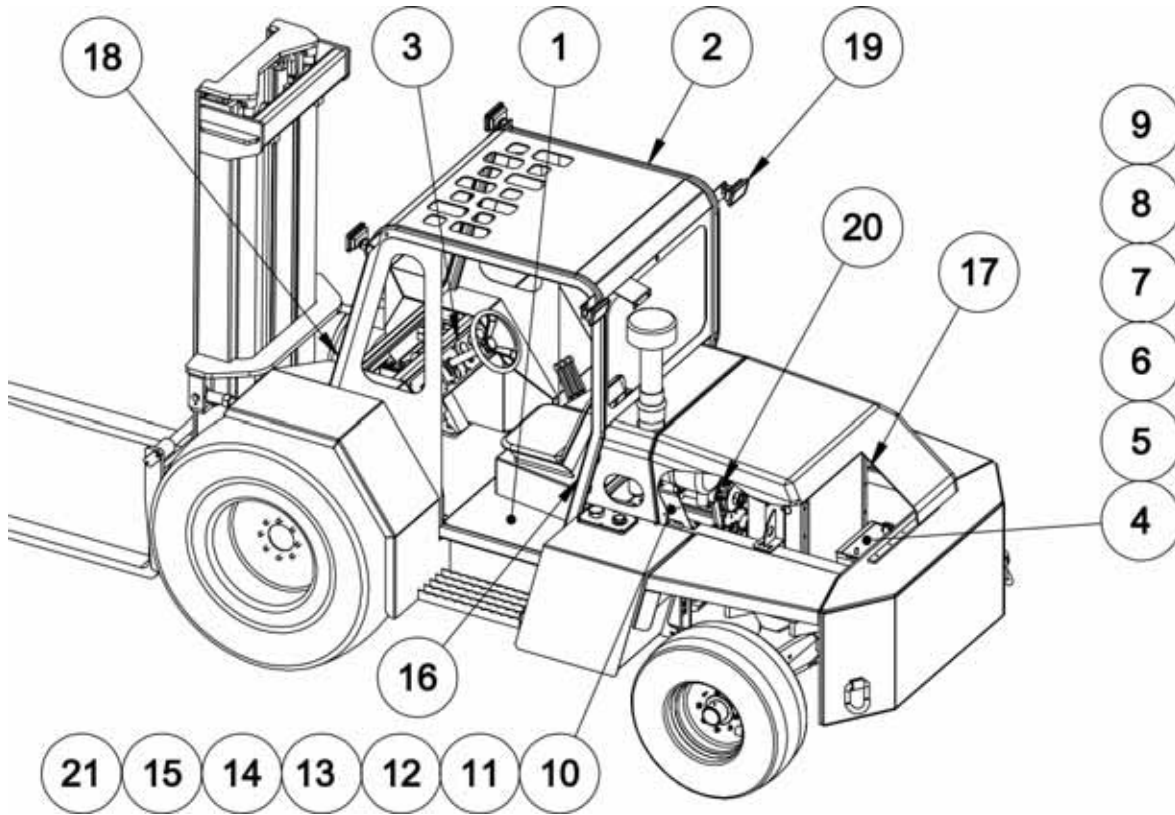


Bullet B260-H-F77B & B260-H-F81B

**DASH & POWERBOARD ASSEMBLY
(FIELD LOADER) (098-15540)**

ITEM	PART	DESCRIPTION	QTY	MODEL Or SERIAL #
1	098-01444	DASH PLATE RHS	1	
2	098-01445	DASH PLATE LHS	1	
3	097-20366	POWER BOARD	1	
4	098-01446	DASH PLATE CENTER	1	
5	097-20396	CONNECTOR SUPPORT)	1	
6	097-20386	WATER TEMPERATURE GAUGE	1	
7	097-20387	OIL PRESSURE GAUGE	1	
8	098-01665	FUEL LEVEL GAUGE	1	
9	098-01664	VOLTMETER	1	
10	097-20388	HOUR METER	1	
11	430-00099	KEY SWITCH	1	
12	190-00388	WARNING LIGHT	1	
13	097-20342	ROCKER SWITCH (ON - OFF) (HORN & DIFFERENTIAL)	2	
14	097-20341	ROCKER SWITCH (ON - OFF) (LIGHT & PARKING BRAKE)	2	
15	097-20343	ROCKER SWITCH (ON - ON) (RED & WHITE LIGHTS)	1	
16	097-20345	END ROCKER PANEL BRACKET	2	
17	097-20344	MIDDLE ROCKER PANEL BRACKET	3	
18	190-00574	SEALED RELAY	3	
19	097-20351	TERMINAL BLOCK	1	
20	097-20347	10A TYPE II BREAKER	3	
21	097-20349	40A TYPE I BREAKER	1	
22	097-20350	BREAKER MOUNTING BRACKET	2	
23	098-01663	BUS BAR (3 GANG)	1	
24	098-01528	CLIP NUT	12	
25	098-15541	DASH HARNESS	1	

**ELECTRICAL CIRCUIT
(BACK DOCK) (098-15545)**



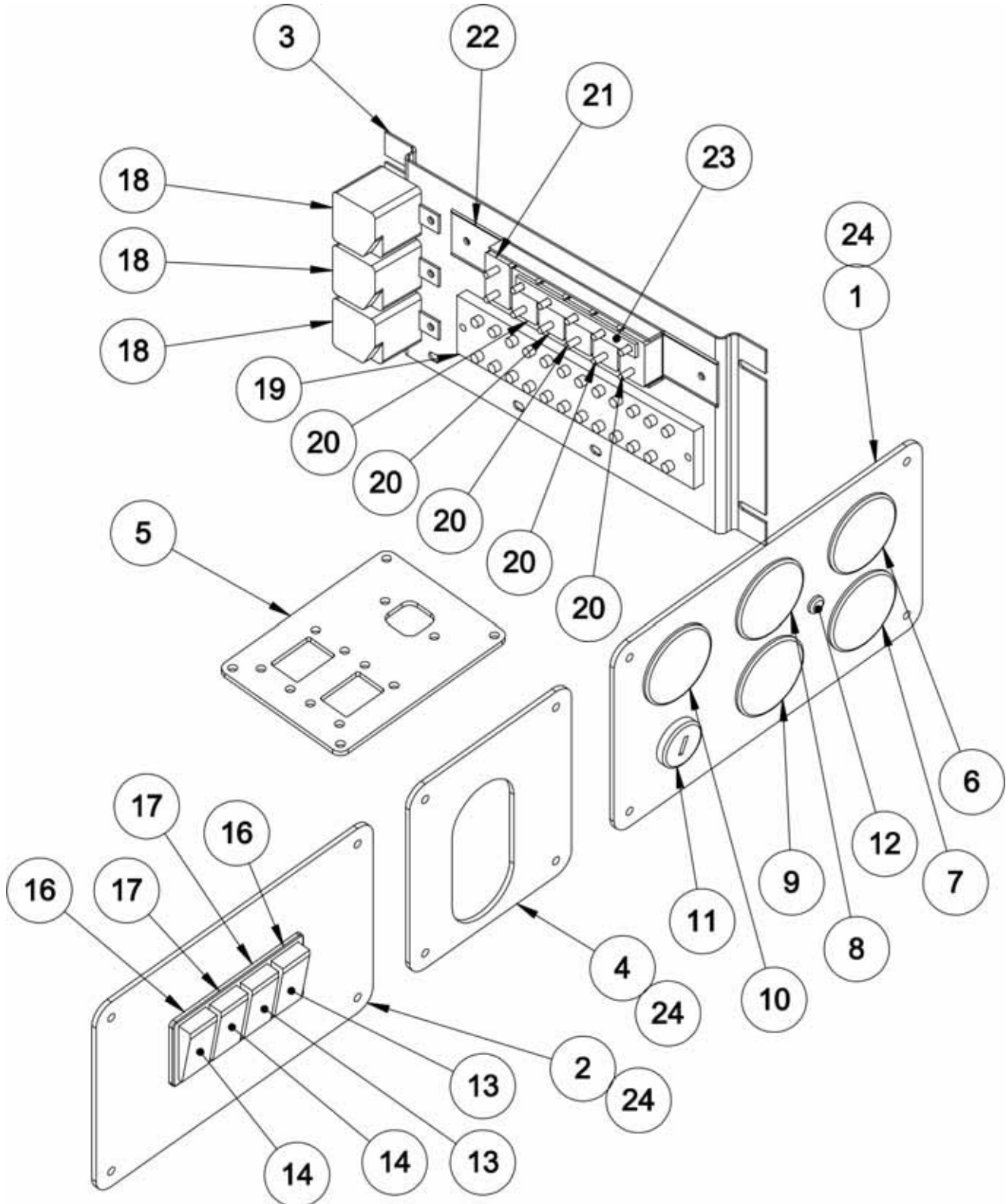


Bullet B260-H-D91B

**ELECTRICAL CIRCUIT
(BACK DOCK) (098-15545)**

ITEM	PART	DESCRIPTION	QTY	MODEL Or SERIAL #
1	098-15531	MAIN HARNESS	1	
2	098-15544	CAB LIGHT HARNESS	1	
3	098-15543	DASH & POWERBOARD ASSEMBLY	1	
4	430-00375	BATTERY	1	
5	097-21531	BATTERY HOLDER WELDMENT)	1	
6	097-20610	J HOLD DOWN	1	
7	098-15533	BATTERY CABLE (BATT. POST+ TO MAIN SWITCH	1	
8	097-21540	BATTERY CABLE (BATTERY POST- TO FRAME)	1	
9	098-15534	BATTERY CABLE (MAIN SWITCH TO STARTER)	1	
10	098-01502	STARTER & GRID HEATER POWER SOLENOID	2	
11	098-15535	POWER SOLENOID GROUND CABLE	1	
12	098-15536	SOLENOID POWER CABLE (MAIN SWITCH TO POWER SOLENOID 1)	1	
13	098-15537	SOLENOID POWER JUMPER (POWER SOLENOID 1 TO POWER SOLENOID 2)	1	
14	098-15538	SOLENOID TO GRID HEATER CABLE	1	
15	098-15539	SOLENOID TO STARTER CABLE	1	
16	097-20346	MAIN SWITCH	1	
17	430-00196	BACKUP ALARM	1	
18	430-00195	HORN	1	
19	097-20322	WHITE LED WORKING LIGHT	4	
20	098-15542	SPECIAL WIRE W / DIODE & RESISTOR FOR ALTERNATOR	1	
21	098-15546	SOLENOID TO ALTERNATOR CABLE	1	

**DASH & POWERBOARD ASSEMBLY
(BACK DOCK) (098-15543)**





Bullet B260-H-D91B

**DASH & POWERBOARD ASSEMBLY
(BACK DOCK) (098-15543)**

ITEM	PART	DESCRIPTION	QTY	MODEL Or SERIAL #
1	098-01444	DASH PLATE RHS	1	
2	098-01669	DASH PLATE LHS BACK DOCK	1	
3	097-20366	POWERBOARD	1	
4	098-01446	DASH PLATE CENTER	1	
5	097-20396	CONNECTOR SUPPORT	1	
6	097-20386	WATER TEMPERATURE GAUGE	1	
7	097-20387	OIL PRESSURE GAUGE	1	
8	098-01665	FUEL LEVEL GAUGE	1	
9	098-01664	VOLTMETER	1	
10	097-20388	HOUR METER	1	
11	430-00099	KEY SWITCH	1	
12	190-00388	WARNING LIGHT	1	
13	097-20342	ROCKER SWITCH (ON - OFF)	2	
14	097-20341	ROCKER SWITCH (ON - OFF) (PARKING BRAKE)	2	
16	097-20345	END ROCKER PANEL BRACKET	2	
17	097-20344	MIDDLE ROCKER PANEL BRACKET	2	
18	190-00574	SEALED RELAY	3	
19	097-20351	TERMINAL BLOCK	1	
20	097-20347	10A TYPE II BREAKER	5	
21	097-20349	40A TYPE I BREAKER	1	
22	097-20350	BREAKER MOUNTING BRACKET	2	
23	098-01663	BUS BAR (5 GANG)	1	
24	098-01528	CLIP NUT	12	
	098-15541	DASH HARNESS (NOT SHOWN)	1	
	097-20389	WATER TEMPERATURE SWITCH (NOT SHOWN)	1	
	097-20358	SAFETY SHUT DOWN SENDER (NOT SHOWN)	1	



Bullet B260-H-F77B; B260-H-F81B & B260-H-F91B



Bullet B260-H-F77B; B260-H-F81B & B260-H-F91B

Section 5

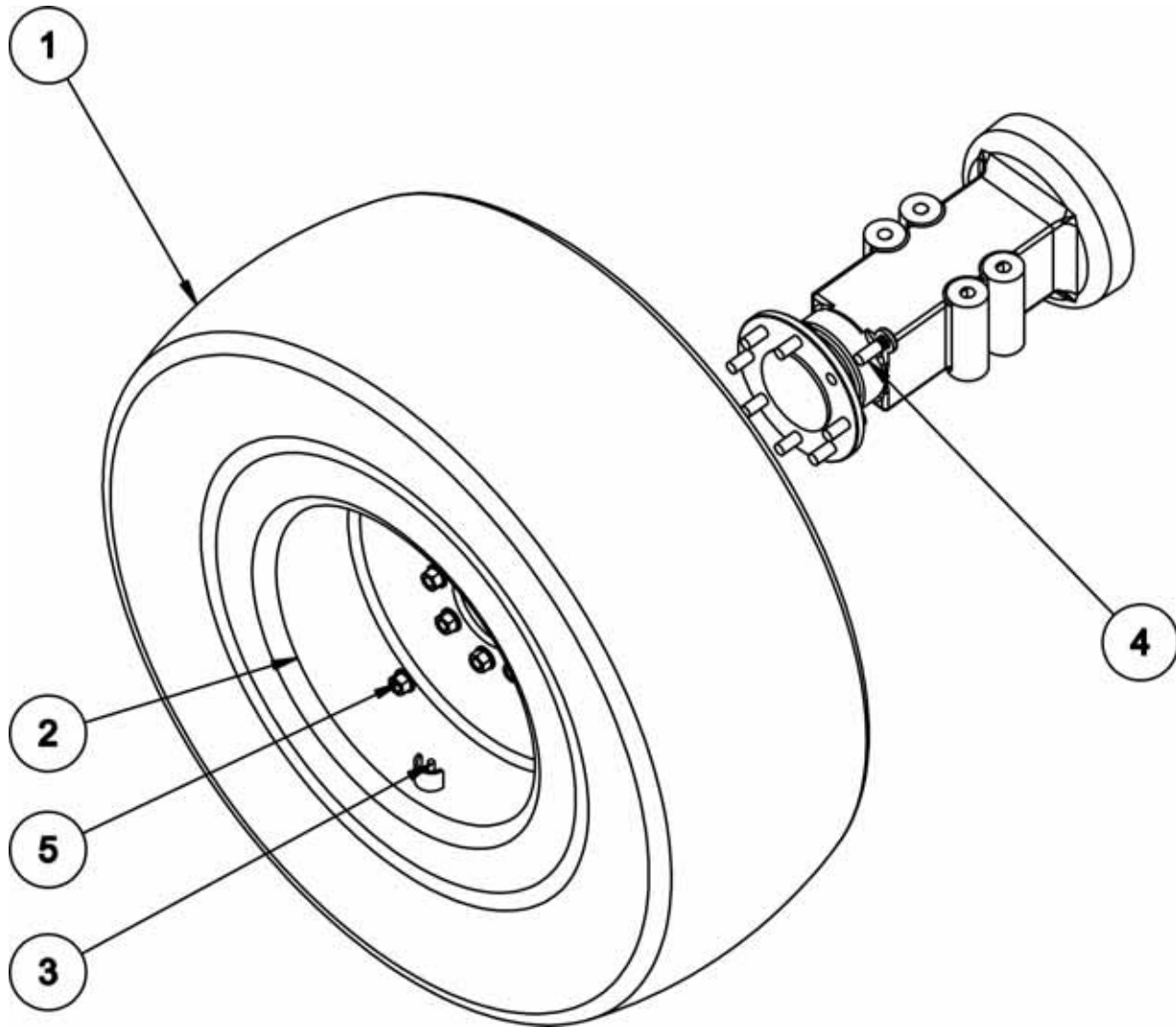
TIRE GROUP

Contents

NEW HOLLAND AXLE, TIRE & WHEEL ASSEMBLY -----	2
DANA DRIVE AXLE, TIRE & WHEEL ASSEMBLY -----	4
STEER TIRE & WHEEL ASSEMBLY -----	6

*****NEW HOLLAND AXLE*****

**TIRE & WHEEL ASSEMBLY
(098-15610)**





Bullet B260-H-F77B; B260-H-F81B & B260-H-F91B

*****NEW HOLLAND AXLE*****
TIRE & WHEEL ASSEMBLY
(098-15610)

ITEM	PART	DESCRIPTION	QTY	MODEL Or SERIAL #
1	730-04050	17.5 - 24 TIRE (GENERIC) (81" & 91" BULLET)	1	
	098-01693	16.9 - 24 TIRE (GALAXY HULK) (91" BULLET)	1	
	730-04060	375/75 R20 (MICHELIN XM27) (77" BULLET)	2	
2	098-00454	WHEEL (24") (81" & 91" BULLET) 2		
	098-00716	WHEEL (20") (77" BULLET)	2	
3	730-03021	TUBELESS AIR-LIQUID VALVE 1		
4	098-00048	FRONT WHEEL STUD	8	
5	098-00732	FRONT WHEEL NUT	8	

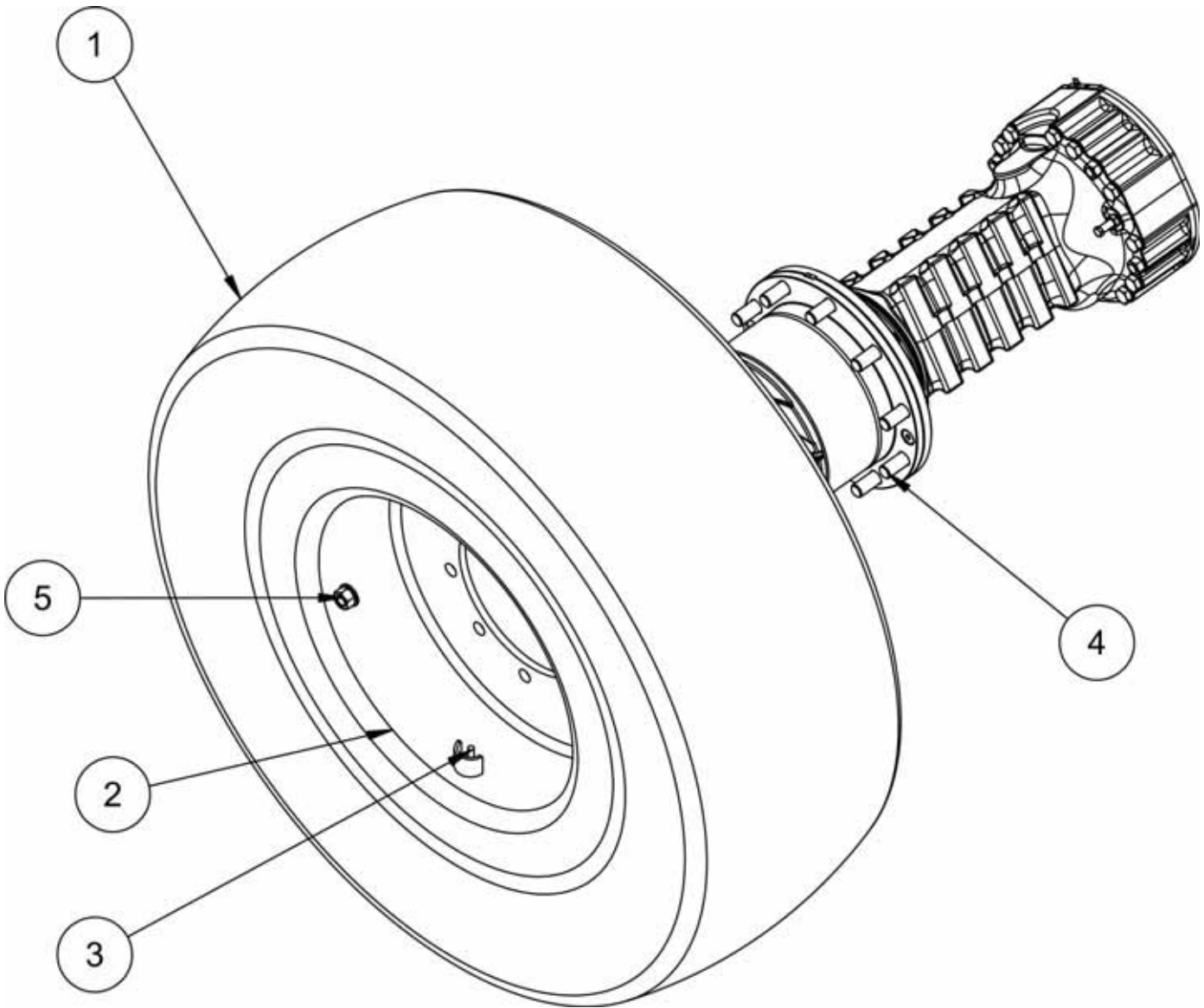


Bullet B260-H-F77B; B260-H-F81B & B260-H-F91B



DANA AXLE

TIRE & WHEEL ASSEMBLY
(098-15612 / 098-15613)





Bullet B260-H-F77B; B260-H-F81B & B260-H-F91B

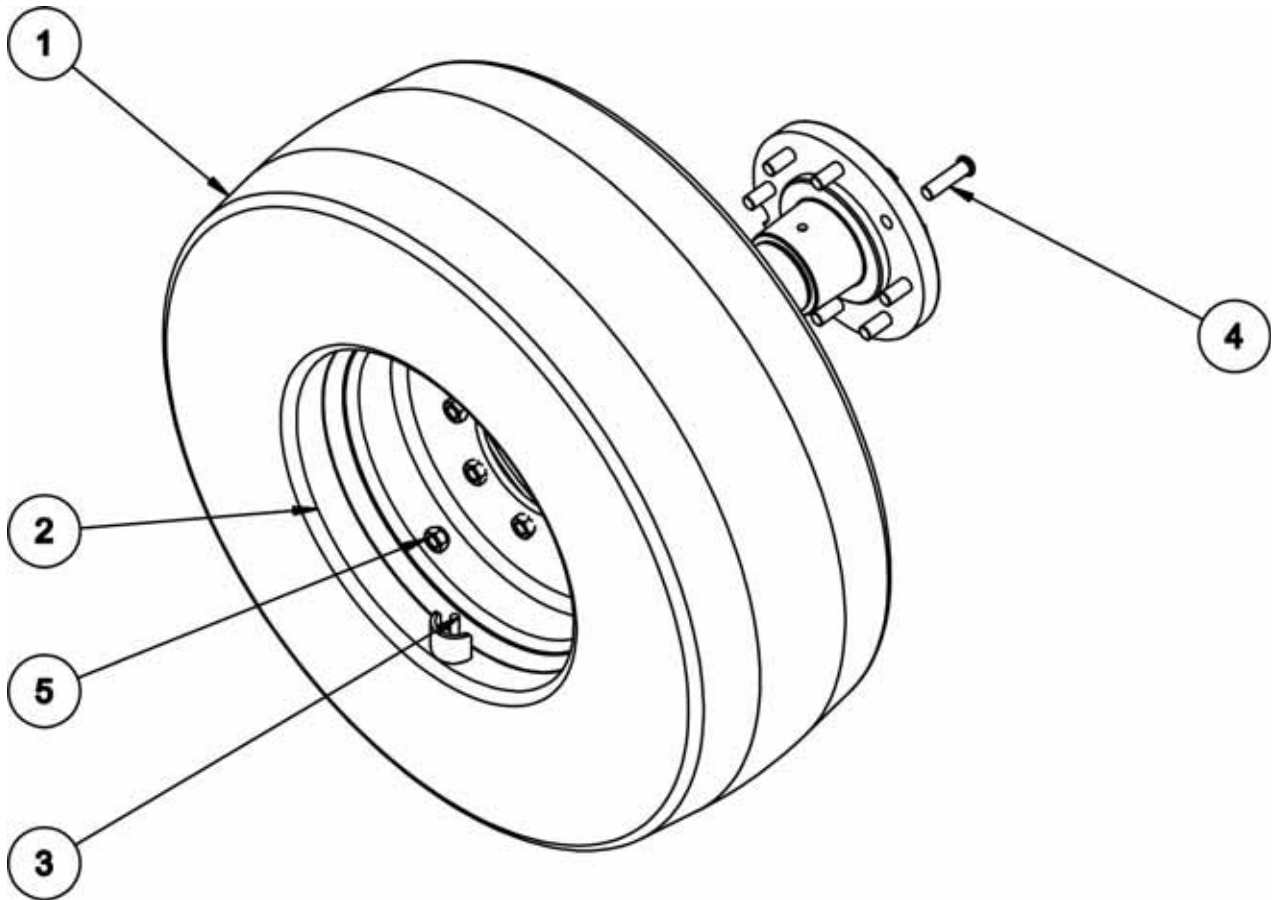


*****DANA AXLE*****

**TIRE & WHEEL ASSEMBLY
(098-15612 / 098-15613)**

ITEM	PART	DESCRIPTION	QTY	MODEL Or SERIAL #
1	730-04062	17.5 - 24 TIRE (GENERIC) (81" & 91" BULLET)	1	
	098-01693	16.9 - 24 TIRE (GALAXY HULK) (91" BULLET)	1	
2	098-01207	24 WHEEL FOR DANA AXLE	1	
3	730-03021	TUBELESS AIR-LIQUID VALVE	1	
4	932.06.074.01	DRIVE WHEEL STUD FOR DANA AXLE	10	
5	11206.088.03	DRIVE WHEEL NUT FOR DANA AXLE	10	

**TIRE & WHEEL STEERING ASSEMBLY
(098-15620)**





Bullet B260-H-F77B; B260-H-F81B & B260-H-F91B

**TIRE & WHEEL STEERING ASSEMBLY
(098-15620)**

ITEM	PART	DESCRIPTION	QTY	MODEL Or SERIAL #
1	730-04055	TIRE 12 - 16 DYNAMO SK- 770	1	
1	098-01694	TIRE 12 - 16.5 GALAXY HULK	1	
2	098-00715	WHEEL FOR 12 -16.5 TIRE	1	
3	730-03031	TUBELESS TRUCK VALVE	1	
4	098-00429	STUD	8	
5	098-00430	REAR WHEEL LUG NUT	8	



Bullet B260-H-F77B; B260-H-F81B & B260-H-F91B



Bullet B260-H-F77B; B260-H-F81B & B260-H-F91B

Section 6

DRIVE AXLE ASSEMBLY

New Holland Drive Axle Parts

Contents

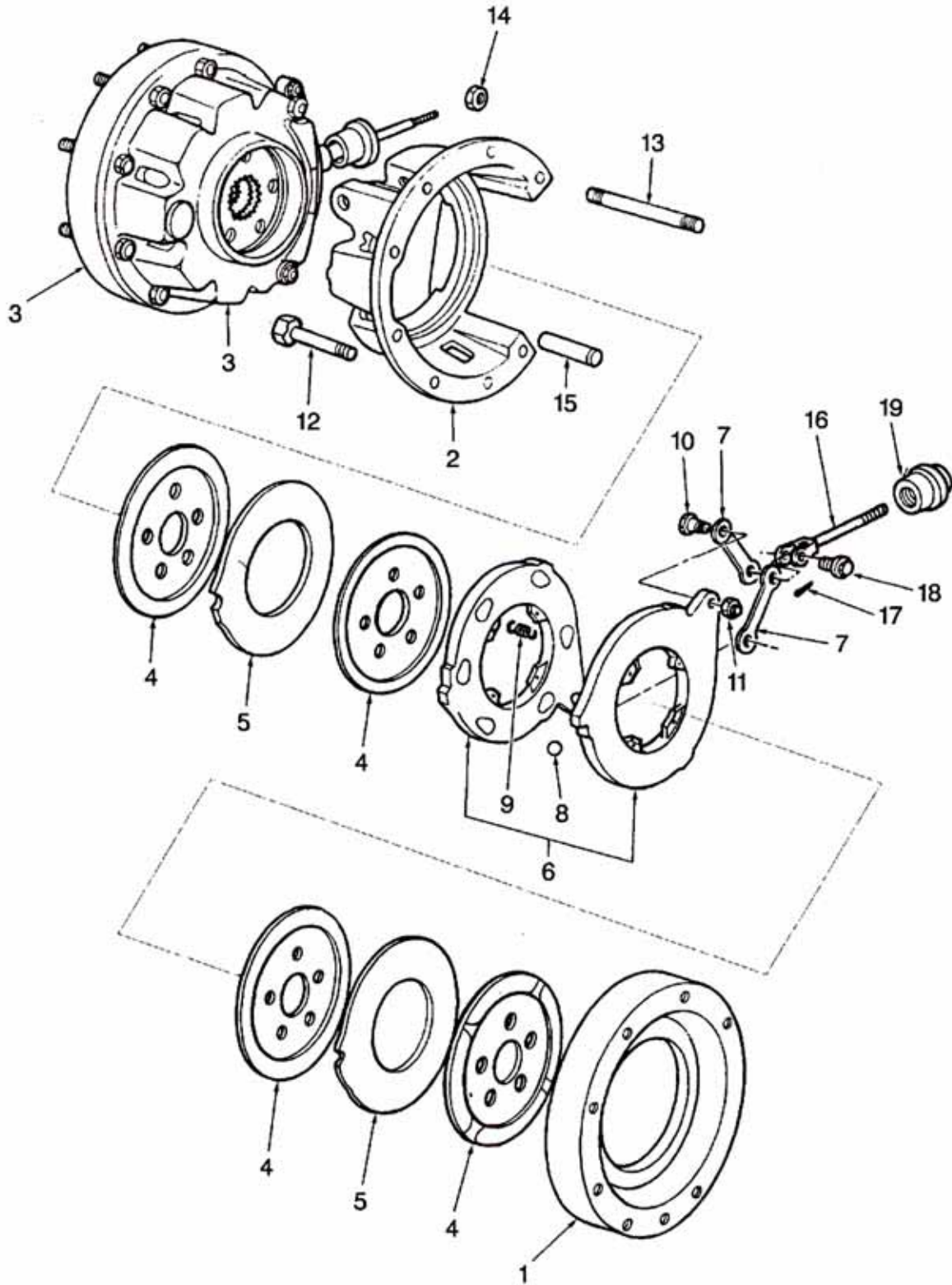
BRAKE ASSEMBLY -----	2
DRIVE AXLE DIFFERENTIAL AND RELATED PARTS -----	4
DIFFERENTIAL CENTER HOUSING AND LOCK -----	10
HYDRAULIC DIFFERENTIAL LOCK -----	12
SPRING / HYD. APPLY, POWER OFF / BRAKING -----	14
NEW HOLLAND RECOMMENDED AXLE OIL -----	16

Dana Drive Axle Parts

Contents

CENTRAL HOUSING -----	18
DIFFERENTIAL -----	20
INPUT -----	22
HUB REDUCTION -----	24
BRAKES -----	26
OILS APPROVED BY DANA -----	28

BRAKE ASSEMBLY



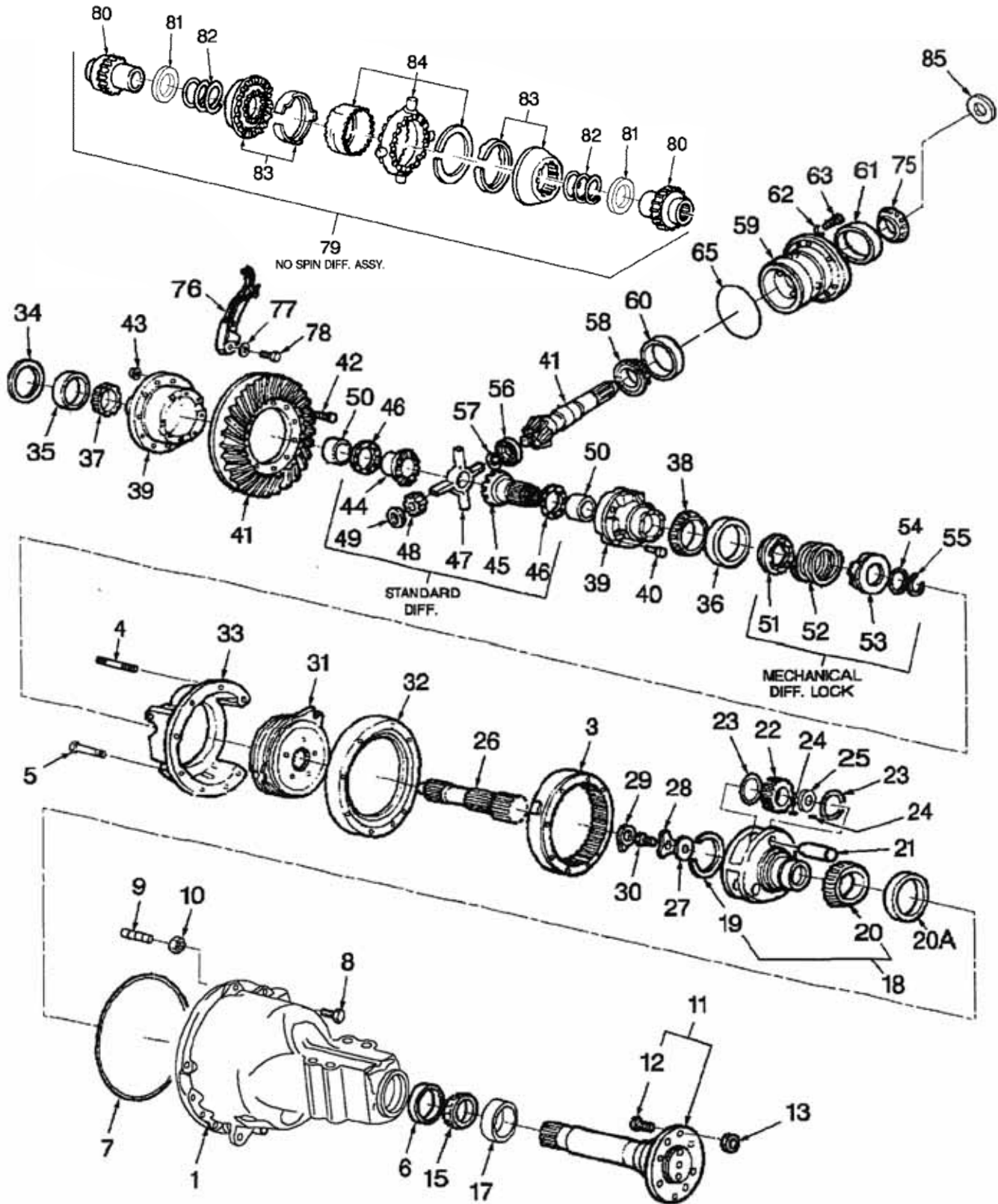


Bullet B260-H-F77B; B260-H-F81B & B260-H-F91B

BRAKE ASSEMBLY

ITEM	PART	DESCRIPTION	QTY	MODEL Or SERIAL #
2	098-00002	HOUSING, REAR BRAKE INNER, L.H.	1	
3	098-00003	HOUSING, REAR BRAKE INNER, R.H.	1	
4	098-00005	DISC, ASSY., SM17 WIDE PATH	8	
5	098-00008	DISC, INTERMEDIATE (GEMPCO & SM17)	4	
6	098-00009	DISC ASSY., ACTUATION, 188 RAMP, INCLUDES: REF. 7 THRU 11 (RECOMMENDED FOR MOST APPLICATIONS)	2	
7	098-00012	LINK, ACTUATING DISC	4	
8	098-00013	BALL, ACTUATING DISC	12	
9	098-00014	SPRING, ACTUATION DISC RETURN	8	
10	098-00015	PIN, ACTUATION DISC PIVOT	4	
11	098-00016	NUT, HEX JAM	4	
12	098-00017	BOLT	6/12	
12	098-00018	BOLT, (R.H. HSG. LESS BRAKES)	8	
13	098-00019	STUD	2/4	
14	098-00020	NUT	2/4	
15	098-00021	PIN, REAR BRAKE TORQUE	2	
16	098-00263	ROD, BRAKE CONTROL, M12X1.75X7.03" METRIC (MECH ACTUATOR ONLY)	2	
17	098-00023	PIN COTTER	2	
18	098-00024	PIN	2	
19	098-00025	SEAL ASSY., (EXCEPT SELF-ADJUSTING CYLINDER)	2	

DRIVE AXLE DIFFERENTIAL AND RELATED PARTS





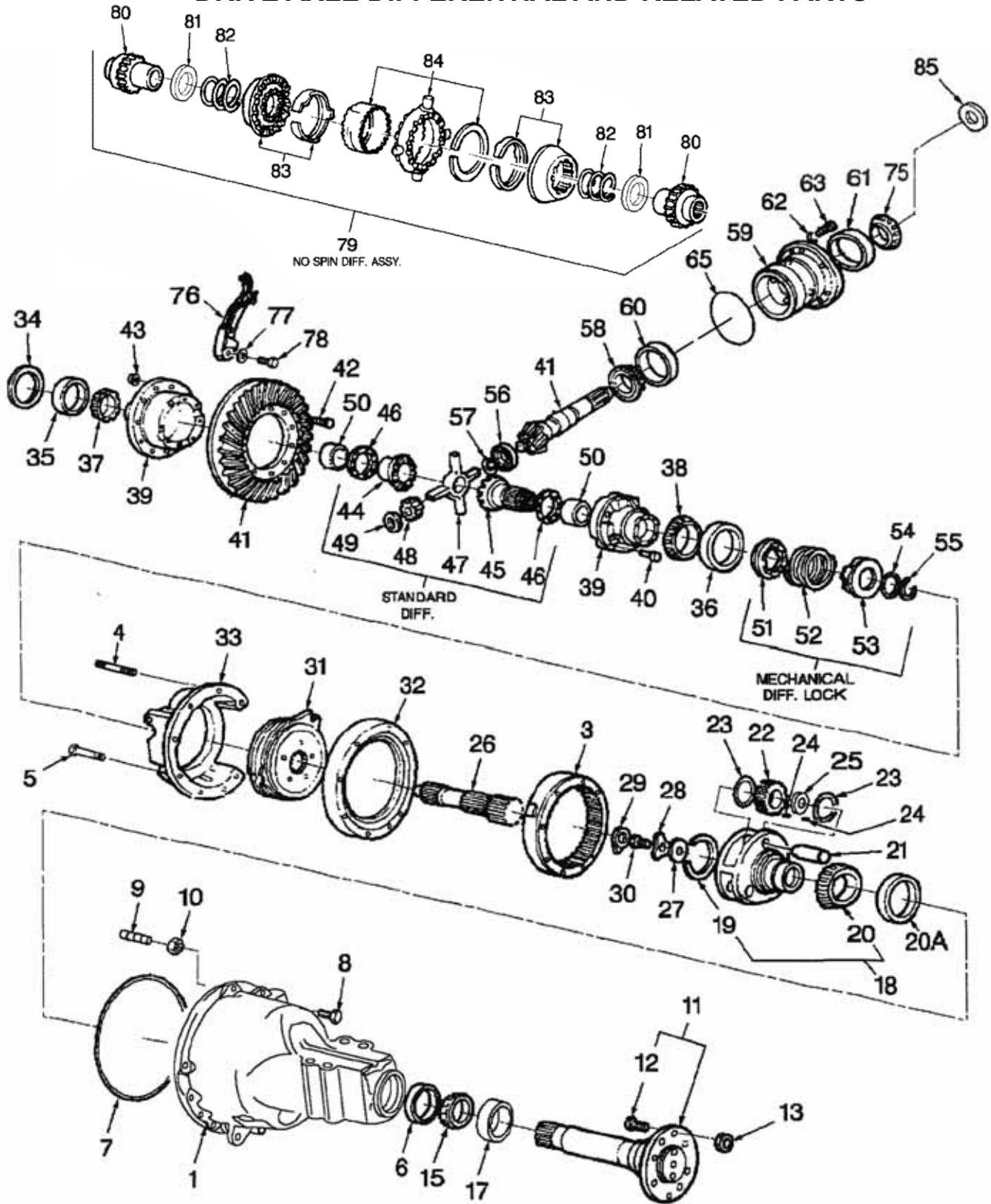
Bullet B260-H-F77B; B260-H-F81B & B260-H-F91B

DRIVE AXLE DIFFERENTIAL AND RELATED PARTS

ITEM	PART	DESCRIPTION	QTY	MODEL Or SERIAL #
1	098-00034	HOUSING ASSY., R.A. L. H. INDUSTRIAL, INCLUDES; REF 3, 6, AND 20A	1	
1	098-00035	HOUSING ASSY., R.A. R. H. INDUSTRIAL, INCLUDES; REF 3, 6, AND 20A	1	
3	098-00037	GEAR, PLANET RING, 11" 0.0. X 1-7/8	2	
4		SEE BRAKE ASSEMBLY		
5		SEE BRAKE ASSEMBLY		
6	098-00038	CUP, SHAFT BEARING	2	
7	09800039	O-RING 2		
8	098-00040	BOLT HEX 5/8"-11 X 2 GR5	21	
8	098-00041	BOLT, HEX 5/8"- 11 X 2 3/4" GR5	1	
9	098-00042	STUD	4	
10	098-00043	NUT	4	
11	098-00045	SHAFT & BOLT ASSY., HEAVY DUTY W/CASSETTE SEAL, INCLUDES: REF 12	2	
12	098-00048	BOLT, SERRATED SHANK	16	
13	098-00732	NUT, HEX (NOT INCLUDED IN SHAFT & BOLT ASSY.)	AR	
15	098-00052	CONE & ROLLER ASSY.	2	
17	098-00054	SEAL, OIL, CASSETTE	2	
18	098-00055	CARRIER ASSY., INCLUDES: REF 20, 21 THRU 25	2	
19	098-00056	RETAINER	2	
20	098-00057	CONE & ROLLER ASSY.	2	
20A	098-00058	CUP	2	
21	098-00059	SHAFT	6	
22	098-00060	GEAR, PLANET	6	
23	098-00061	WASHER	12	
24	098-00062	KIT, PLANET GEAR, INCLUDES: (32) 098-00568 NEEDLES	AR	
25	098-00063	SPACER, 1.91 (48.5 MM) O.D.	6	
26	098-00064	GEAR	2	
27	098-00065	* SPACER, R.A. SHAFT BEARING (0.049/0.050)	2	
27	098-00066	* SPACER, R.A. SHAFT BEARING (0.053/0.054)	2	
27	098-00067	* SPACER, R.A. SHAFT BEARING (0.057/0.058)	2	
27	098-00068	* SPACER, R.A. SHAFT BEARING (0.061/0.062)	2	

* ORDER BY SELECT FIT.

DRIVE AXLE DIFFERENTIAL AND RELATED PARTS





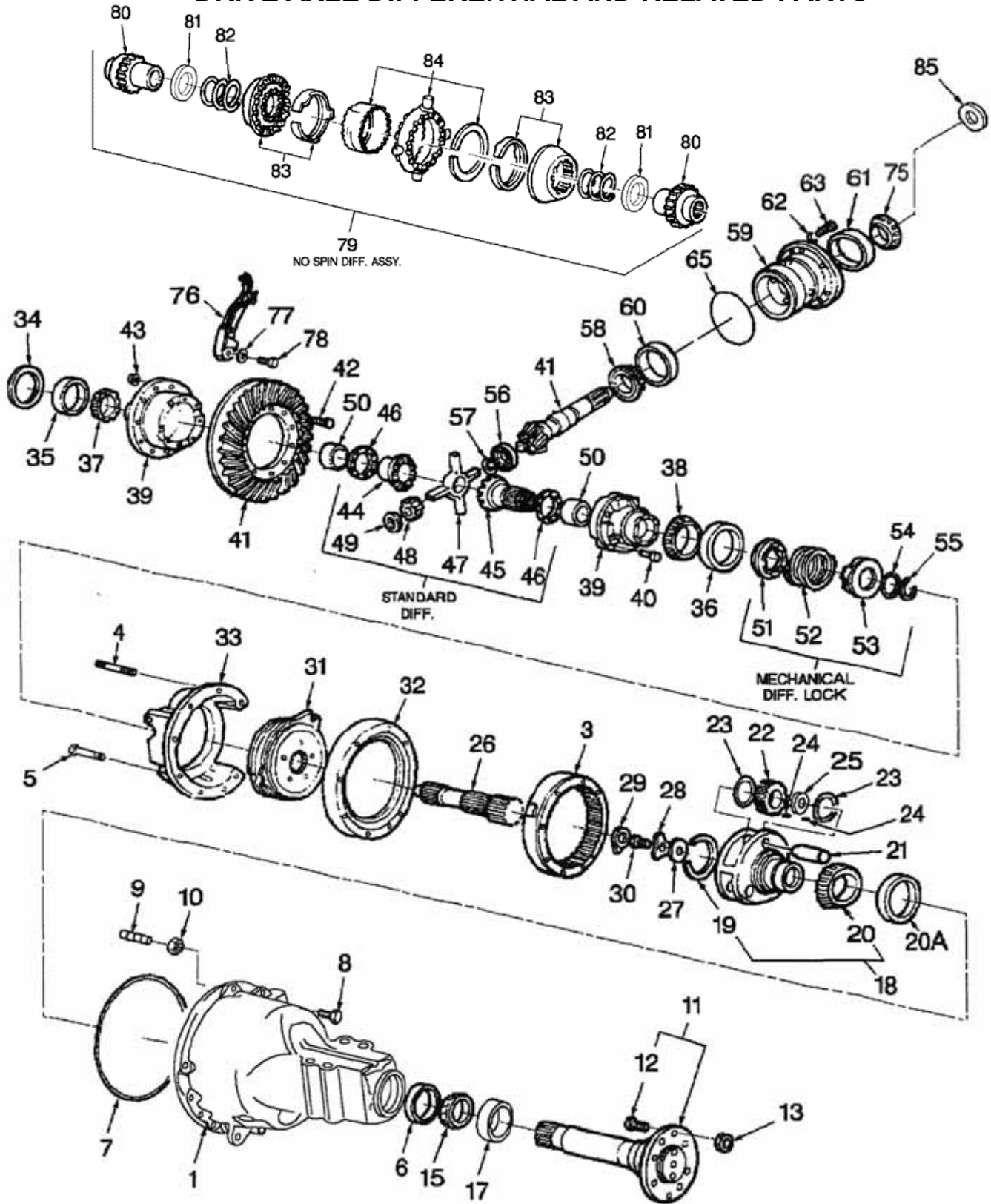
Bullet B260-H-F77B; B260-H-F81B & B260-H-F91B

DRIVE AXLE DIFFERENTIAL AND RELATED PARTS

ITEM	PART	DESCRIPTION	QTY	MODEL Or SERIAL #
27	098-00069	* SPACER, R.A. SHAFT BEARING (0.065/0.066)	2	
27	098-00070	* SPACER, R.A. SHAFT BEARING (0.069/0.070)	2	
27	098-00071	* SPACER, R.A. SHAFT BEARING (0.073/0.074)	2	
27	098-00072	* SPACER, R.A. SHAFT BEARING (0.077/0.078)	2	
27	098-00073	* SPACER, R.A. SHAFT BEARING (0.081/0.082)	2	
27	098-00074	* SPACER, R.A. SHAFT BEARING (0.085/0.086)	2	
27	098-00075	* SPACER, R.A. SHAFT BEARING (0.089/0.090)	2	
28	098-00076	WASHER, SHAFT	2	
29	098-00077	LOCK, SHAFT	2	
30	098-00078	BOLT, HEX	2	
31		SEE BRAKE ASSEMBLY		
32		SEE BRAKE ASSEMBLY		
33		SEE BRAKE ASSEMBLY		
34	098-00079	SHIM, RA. DIFFERENTIAL DRIVEN GEAR BEARING, (0.038/0.040)	AR	
34	098-00080	SHIM, RA. DIFFERENTIAL DRIVEN GEAR BEARING, (0.044/0.046)	AR	
34	098-00081	SHIM, RA. DIFFERENTIAL DRIVEN GEAR BEARING, (0.050/0.052)	AR	
34	098-00082	SHIM, RA. DIFFERENTIAL DRIVEN GEAR BEARING, (0.056/0.058)	AR	
34	098-00083	SHIM, RA. DIFFERENTIAL DRIVEN GEAR BEARING, (0.062/0.064)	AR	
34	098-00084	SHIM, RA. DIFFERENTIAL DRIVEN GEAR BEARING, (0.068/0.070)	AR	
34	098-00085	SHIM, RA. DIFFERENTIAL DRIVEN GEAR BEARING, (0.074/0.076)	AR	
34	098-00086	SHIM, RA. DIFFERENTIAL DRIVEN GEAR BEARING, (0.080/0.082)	AR	
35	098-00087	CUP, DIFFERENTIAL BEARING, R.H.	1	
36	098-00088	CUP, DIFFERENTIAL BEARING, L.H.	1	
37	098-00089	CONE & ROLLER ASSY., R.H.	1	
		BEARING ASSY. CONE & ROLLER, REAR AXLE,		
38	098-00090	DIFFERENTIAL, LH	1	
39	098-00092	CASE ASSY., (5.286:1)	1	
40	098-00093	SCREW, HEX	8	
41	098-0099	GEAR SET, MATCHED, (5.286:1) HYDROSTATIC	1	
42	098-00101	BOLT	12	
43	098-00102	NUT, HEX, LOCK	12	
44	098-01181	GEAR, DIFFERENTIAL SIDE, RH	1	
45	098-01182	GEAR, DIFFERENTIAL SIDE, LH	1	
46	098-01183	WASJER. TJR'IST	2	
47	098-01180	SPIDER	1	

* ORDER BY SELECT FIT

DRIVE AXLE DIFFERENTIAL AND RELATED PARTS



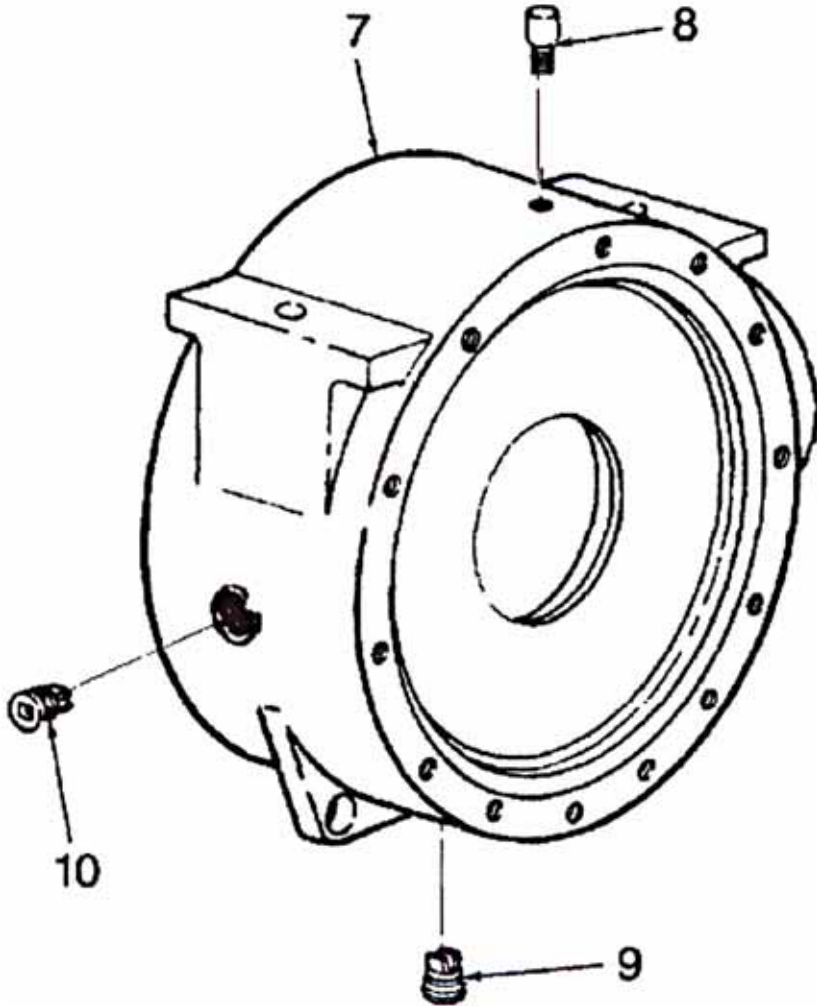


Bullet B260-H-F77B; B260-H-F81B & B260-H-F91B

DRIVE AXLE DIFFERENTIAL AND RELATED PARTS

ITEM	PART	DESCRIPTION	QTY	MODEL Or SERIAL #
48	098-01185	PINION	4	
49	098-01184	WASHER	4	
50	098-00109	BUSHING	1	
51	098-00110	ADAPTER	1	
52	098-00111	SPRING	1	
53	098-00112	COUPLING	1	
54	098-00113	WASHER	1	
55	098-00114	RING	1	
56	098-00115	BEARING ASSY.	1	
57	098-00116	LOCK RING	1	
58	098-00117	CONE & ROLLER ASSY., STANDARD, HYDROSTATIC	1	
59	098-00120	RETAINER ASSY., HYDROSTATIC	1	
60	098-00122	CUP, STANDARD, HYDROSTATIC	1	
61	098-00124	CUP	1	
62	098-00125	WASHER, LOCK	6	
63	210-00494	BOLT	6	
65	098-00157	O-RING	1	
75	098-00172	CONE & ROLLER ASSY.	1	
76	098-00174	BLOCK, THRUST (5.286:1)	1	
77	098-00175	WASHER, LOCK	2	
78	098-00176	BOLT, HEX	2	
79	098-00109	NO SPIN DIFFERENTIAL ASSEMBLY	1	
85	098-00183	WASHER, HYDROSTATIC ONLY	1	
86A	098-00186	CLAMP, HYDROSTATIC (SA917), NOT SHOWN	1	
86B	098-00187	BOLT, NOT SHOWN	1	
86C	098-00188	NUT, LOCK NOT SHOWN	1	
88	098-00190	SNAP RING, HYDROSTATIC ONLY	1	

DIFFERENTIAL CENTER HOUSING AND LOCK



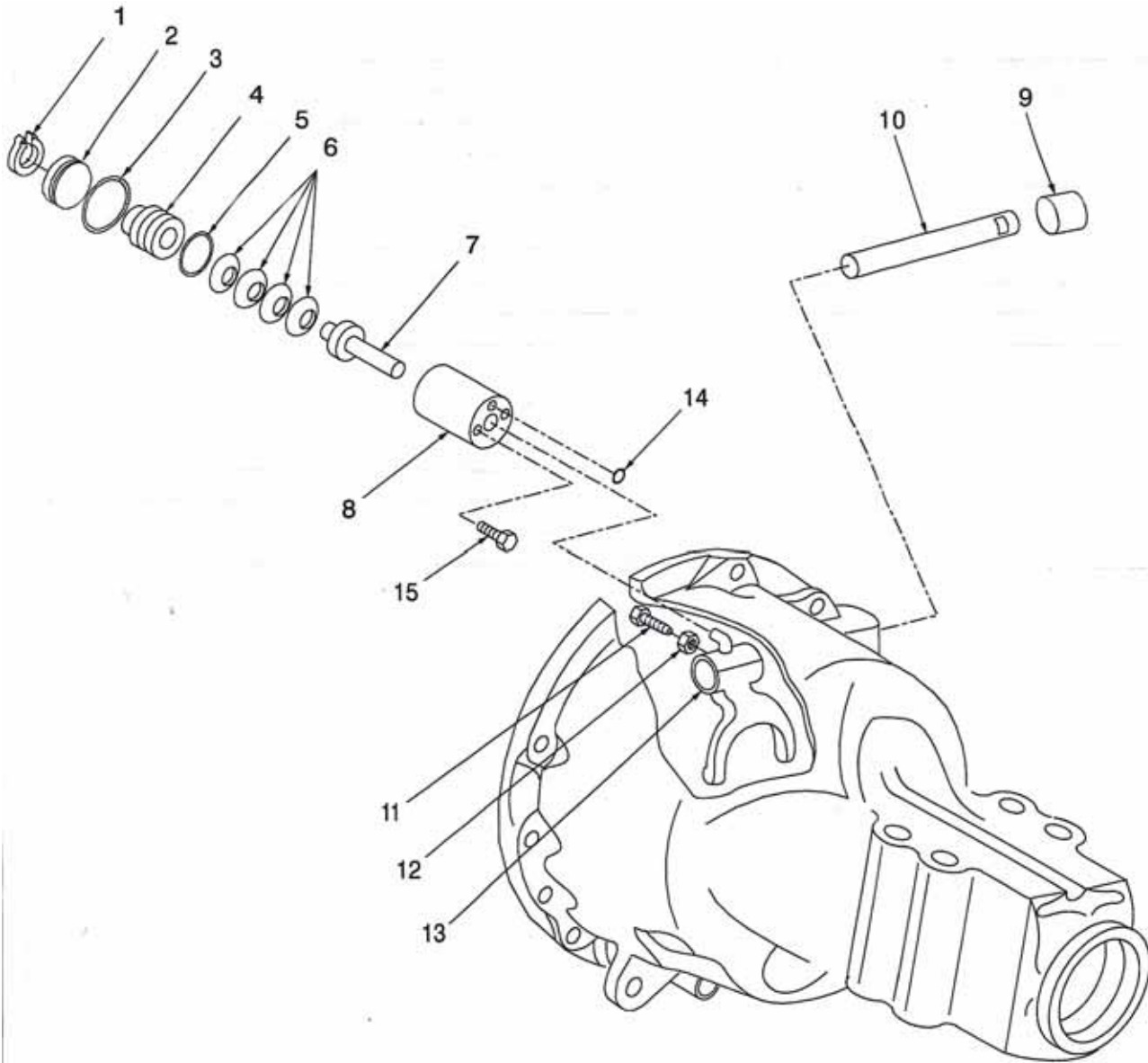


Inc. *Bullet B260-H-F77B; B260-H-F81B & B260-H-F91B*

DIFFERENTIAL CENTER HOUSING AND LOCK

ITEM	PART	DESCRIPTION	QTY	MODEL Or SERIAL #
7	098-01190	HOUSING, AXLE DIFFERENTIAL CENTER, W / HYD. DIFF. LOCK	1	
8	098-00205	PLUG, DIFFERENTIAL BREATHER, ALL MODELS	1	
9	098-00206	PLUG, MAGNETIC, OIL DRAIN	1	
10	098-00207	PLUG	1	

HYDRAULIC DIFFERENTIAL LOCK





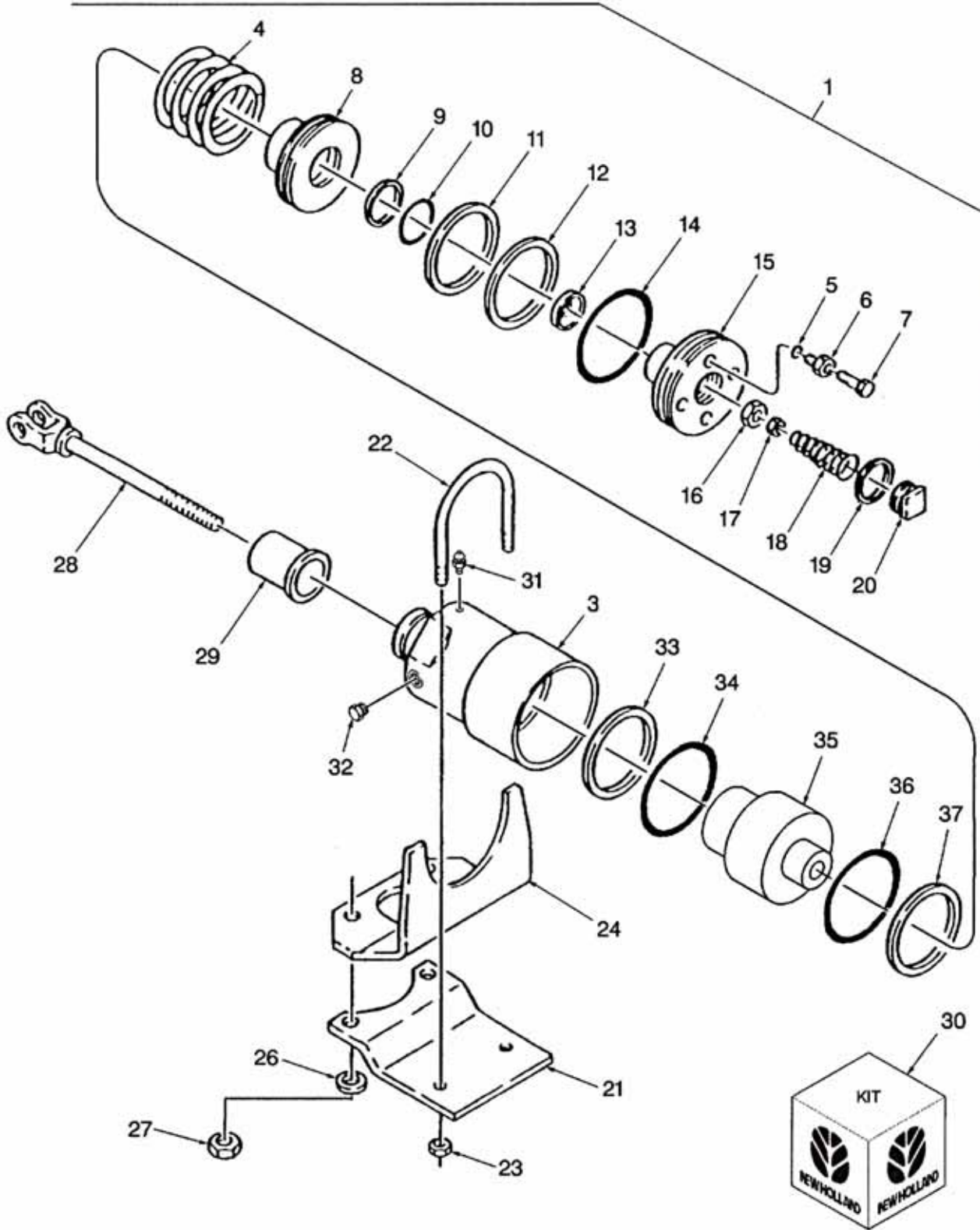
Inc. *Bullet B260-H-F77B; B260-H-F81B & B260-H-F91B*

HYDRAULIC DIFFERENTIAL LOCK

ITEM	PART	DESCRIPTION	QTY	MODEL Or SERIAL #
1	098-01191	RING, SNAP	1	
2	098-01182	PLUG	1	
3	098-01193	O-RING, 90 DURO	1	
4	098-01194	PLUNGER	1	
5	098-01195	O-RING, 90 DURO	1	
6	098-01196	* WASHER, SPRING	4	
7	098-01197	ROD	1	
8	098-01198	BODY	1	
9	098-01199	PLUG	1	
10	098-01200	SHAFT	1	
11	098-01201	SCREW, SET, 3/8"-24 X 7/16"	1	
12	098-01202	NUT, JAM, G2 3/8"-24	1	
13	098-01203	FORK	1	
14	098-01204	O-RING, 90 DURO	1	
15	098-01205	BOLT, CSHH, 5/16"-18 X 1"	2	

* ASSEMBLE SPRINGS IN OPPOSED POSITION RATHER THAN NESTED POSITION.

SPRING / HYD. APPLY, POWER OFF / BRAKING





Bullet B260-H-F77B; B260-H-F81B & B260-H-F91B

SPRING / HYD. APPLY, POWER OFF / BRAKING

ITEM	PART	DESCRIPTION	QTY	MODEL Or SERIAL #
		CYLINDER ASSY., POWER OFF/SERVICE (MICA)		
1	098-00241	INCLUDES: 1 THRU 29, 31 THRU 37	1	
3	NSS	(1) HOUSING	1	
4	098-00245	SPRING	1	
5	NSS	(1) O-RING	1	
6	098-00246	PLUG, BLEEDER	1	
7	098-00247	SCREW, BLEEDER	1	
8	NSS	(1) PISTON	1	
9	NSS	(1) RING, BACK-UP	1	
10	NSS	(1) O-RING	1	
11	NSS	(1) RING, BACK-UP	1	
12	NSS	(1) CUP	1	
13	098-00248	STOP	1	
14	NSS	(1) O-RING	1	
15	NSS	PLUG, END	1	
16	098-00249	RETAINER, NUT	1	
17	098-00250	NUT, LOCK	1	
18	098-00251	SPRING	1	
19	NSS	(1) GASKET	1	
20	098-00252	PLUG, END	1	
21	098-00253	BRACKET ASSY., D45	1	
22	098-00255	U-BOLT	1	
23	098-00256	NUT, LOCK	1	
24	098-00257	RETAINER, D45	1	
26	098-00261	WASHER	2	
27	098-00262	NUT, HEX	2	
		ROD, BRAKE CONTROL, M12 X 1.75 X 7.03" METRIC		
28	098-00263	(MECH ACTUATOR ONLY)	1	
29	098-00264	SEAL	1	
30	098-00265	KIT, REPAIR. INCLUDES: REF. 5, 9 THRU 12, 14 & 19	1	
31	098-00244	SCREW, BLEEDER	1	
32	098-00266	PLUG, SHIPPING	1	
33	NSS	BACK UP RING	1	
34	NSS	O-RING	1	
35	NSS	PISTON	1	
36	NSS	O-RING	1	
37	NSS	BACK UP RING	1	
		Not Serviced Separately		



Inc. *Bullet B260-H-F77B; B260-H-F81B & B260-H-F91B*

NEW HOLLAND RECOMMENDED AXLE OIL

New Holland North America Inc.
500 Diller Avenue-MS 237
P.O. Box 1895
New Holland, PA 17557-0903

New Holland Power Components Group
Francis G. Kostrub, Manager, North America

April 30, 2003

FAX TO: NH U.S. Axle Customers

Subject: NH Recommended Axle Oil

New Holland (NH) axles require a 'universal tractor oil' to assure proper brake performance in addition to proper axle lubrication. This universal oil is relatively thin (viscosity of SAE 15-20) with special additives for tolerance to air and water entrainment, and additives for optimal brake performance with minimal noise.

The NH oil available to OEM customers in North America is referred to as '134D', and can be purchased from the NH parts system as a 'direct ship' item. (Other comparable oils are; Mobil 424, Texaco 893TDH, Esso Hydraul 50/56, and Chevron THF).

If a customer has a complaint about axle or brake noise, the first thing I recommend is to change the axle oil. We suggest that the oil be changed on a regular basis (perhaps yearly) to assure proper ongoing performance. If the oil has a brown color, it probably has excess water mixed in (from condensation) and this can cause brake noise.

How could water get in? The axles should be shipped with a breather that is installed in the top of the center housing. We are aware that these breathers are often missing. If so, replacement breathers can be ordered.

Small amounts of fine metal parts in the oil (e.g. copper) are not necessarily a concern and may be just normal wear of the internal brake discs. The axle does not have a filter, but we put a magnetic drain plug in the bottom of the axle to collect these brake particles.

If your axle is equipped with an external brake cylinder, make sure that the oil that you use in the brake cylinders is a mineral base oil, otherwise the brake rod seal between the axle and brake cylinder will have reduced life.



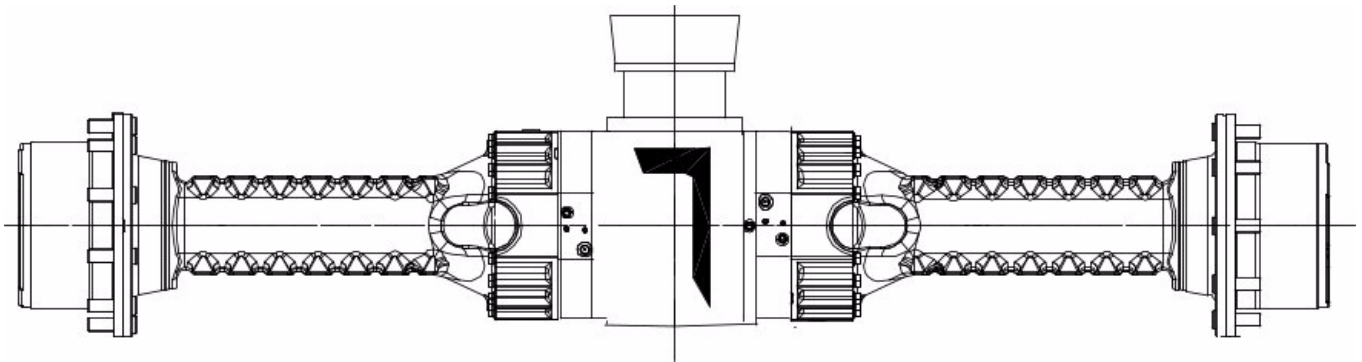
Bullet B260-H-F77B; B260-H-F81B & B260-H-F91B

Dana Drive Axle Parts

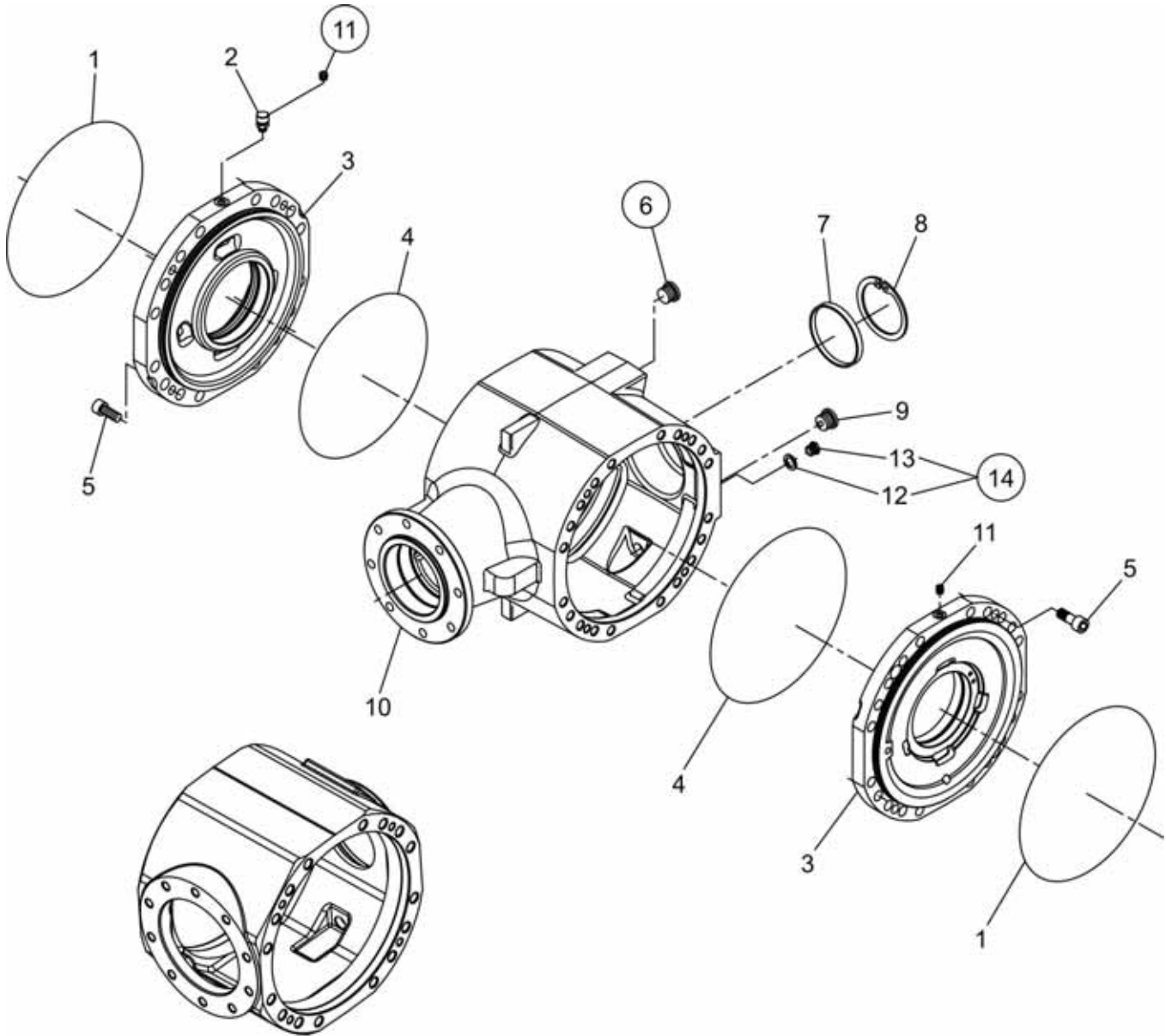


SPICER[®]

Off-Highway Products



CENTRAL HOUSING (DANA 123.01.0004)



6 11 Optional

14 Kit = 12+13

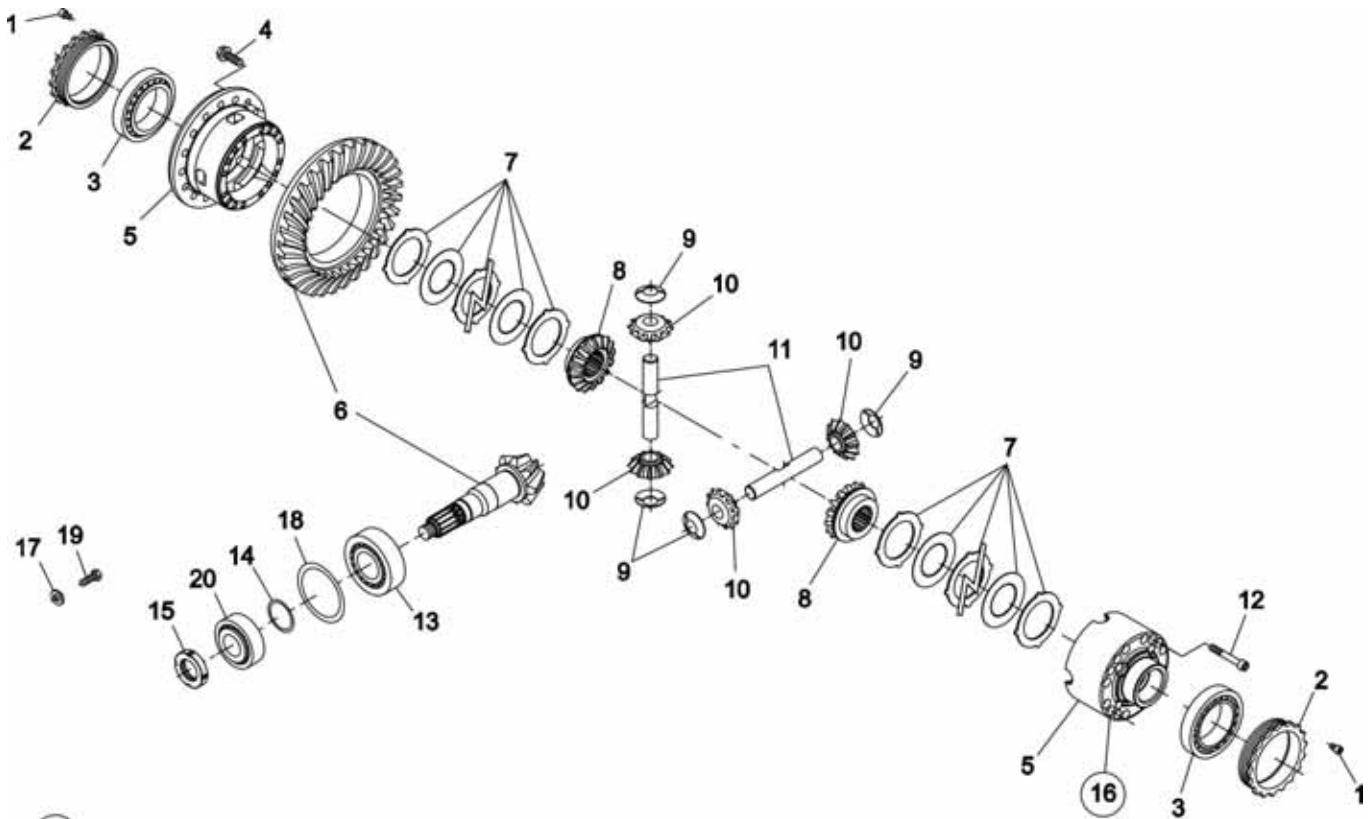


Inc. *Bullet B260-H-F77B; B260-H-F81B & B260-H-F91B*

CENTRAL HOUSING (DANA 123.01.0004)

ITEM	PART	DESCRIPTION	QTY	MODEL Or SERIAL #
	098-01780	DANA DRIVE AXLE (COMPLETE)	1	
1	001.05.3471.02	O - RING	2	
2	112.01.018.02	VENT	1	
3	123.01.007.03	INTERMEDIATE COVER	2	
4	176.07.029.01	O - RING	2	
5	016.04.1121	BOLT	8	
6	355.14.610.02	PLUG	1	
7	176.01.035.04	PLUG	1	
8	002.02.1429	SNAP RING	1	
9	355.14.611.02	MAGNETIC PLUG	1	
10	163.01.004.02	HOUSING	1	
11	016.14.1138	PLUG	1	
12				
13				
14		KIT = 12+13		

DIFFERENTIAL (DANA 123.04.0012)



16 Kit = 5+7+8+9+10+11+12

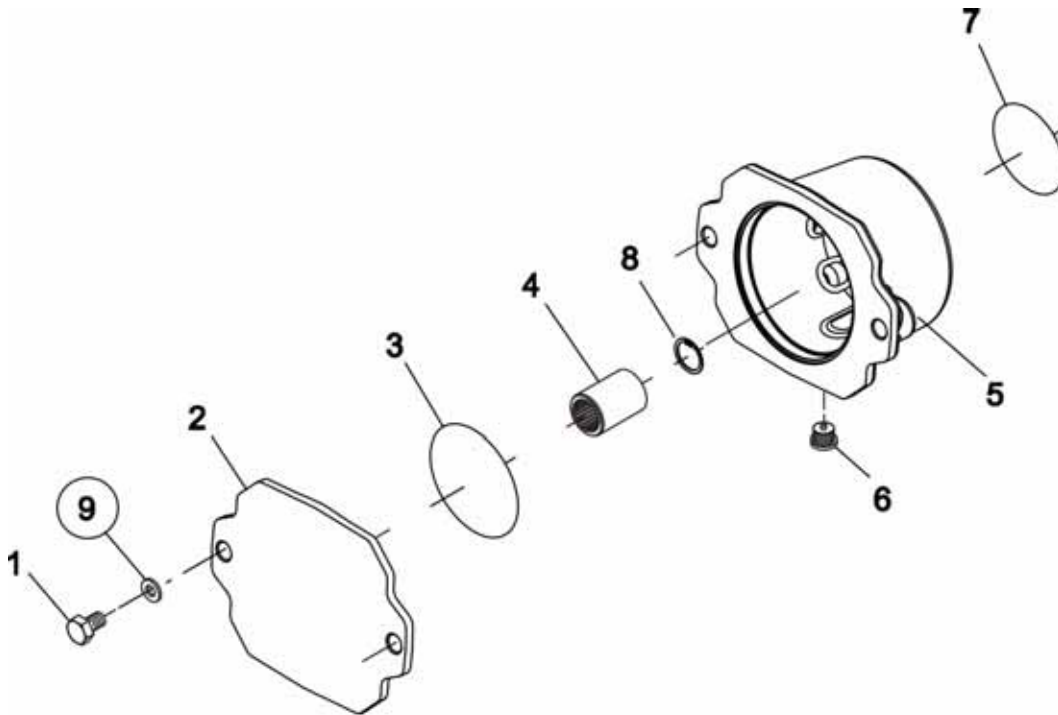


Inc. Bullet B260-H-F77B; B260-H-F81B & B260-H-F91B

DIFFERENTIAL (DANA 123.04.0012)

ITEM	PART	DESCRIPTION	QTY	MODEL Or SERIAL #
1	016.30.4162	BOLT	2	
2	194.04.001.01	RING NUT	2	
3	005.09.0762	TAPER ROLLER BEARING	2	
4	016.28.3390	BOLT	16	
5	123.04.704.01	DIFFERENTIAL CARRIER	1	
6	176.04.506.06	BEVEL GEAR SET	1	
7	113.04.610.01	CLUTCH DISC	2	
8	113.04.045.01	DIFFERENTIAL SIDE GEAR	2	
9	139.04.001.01	FRICTION WASHER	4	
10	113.04.043.01	DIFFERENTIAL PINION	4	
11	139.04.002.02	DIFFERENTIAL SHAFT	2	
12	016.38.4239	BOLT	15	
13	005.10.1457	TAPER ROLLER BEARING	1	
14	112.04.400.05	SHIM KIT	1	
15	953.04.012.05	RING NUT	1	
16	123.04.756.02	KIT = 5+7+8+9+10+11+12 (DIFFERENTIAL)	1	
17	011.04.1318	SPRING WASHER	8	
18	123.04.400.03	SHIM KIT	1	
19	016.31.4248	BOLT	8	
20	005.10.0162	TAPER ROLLER BEARING	1	

INPUT (DANA 123.05.0003)



9 Optional

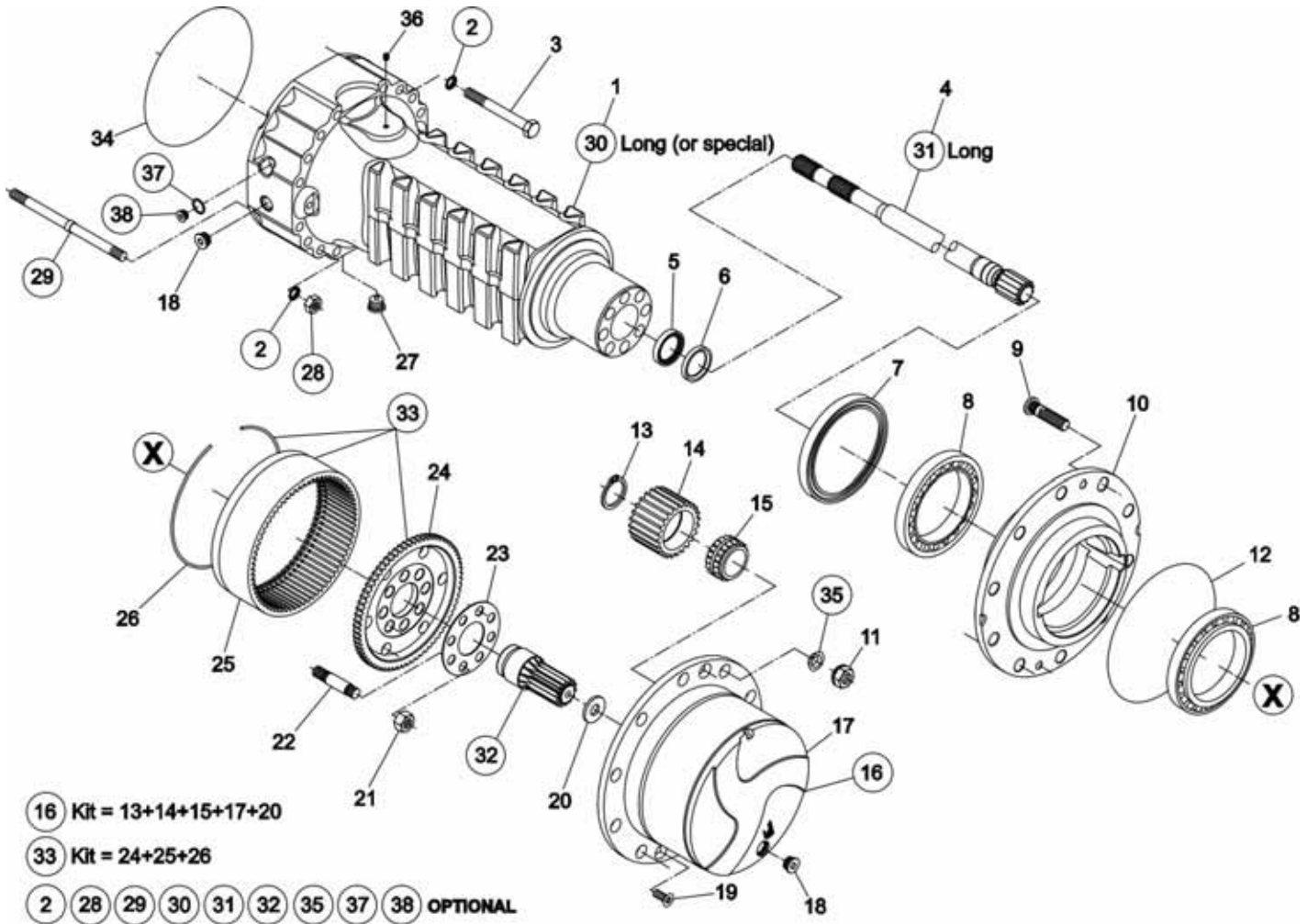


Bullet B260-H-F77B; B260-H-F81B & B260-H-F91B

INPUT (DANA 123.05.0003)

ITEM	PART	DESCRIPTION	QTY	MODEL Or SERIAL #
1	016.01.3022	CYLINDER BOLT	2	
2	723.14.053.07	SHEET	1	
3	001.05.1436	O - RING	1	
4	123.05.002.01	REDUCTION BUSHING	1	
5	123.05.001.01	COVER	1	
6	112.01.610.03	MAGNETIC PLUG	1	
7	001.05.1359	O - RING	1	
8	002.02.1232	CIRCLIP	1	
9		OPTIONAL	2	

HUB REDUCTION (DANA 123.06.0001)



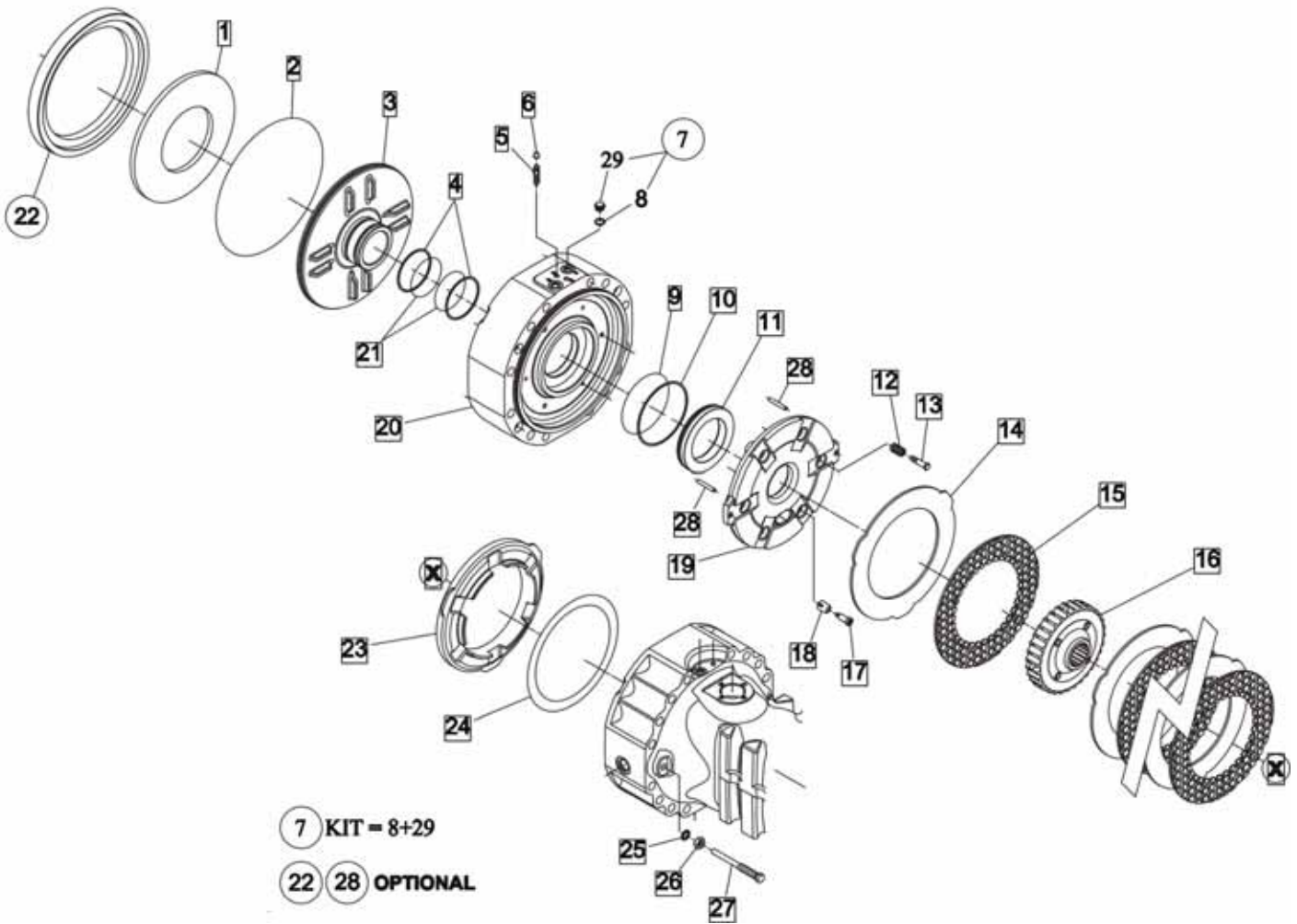


Bullet B260-H-F77B; B260-H-F81B & B260-H-F91B

HUB REDUCTION (DANA 123.06.0001)

ITEM	PART	DESCRIPTION	QTY	MODEL Or SERIAL #
1	123.06.013.21	AXLE CASE	2	
2	011.17.2952	WASHER	32	
3	016.03.3680	HEXAGON BOLT	24	
4	123.06.020.01	HALF SHAFT	2	
5	001.43.3687	SEAL	2	
6	113.06.019.01	RING	2	
7	123.06.016.01	SEAL	2	
8	005.10.1427	TAPER ROLLER BEARING	4	
9	932.06.074.01	WHEEL STUD	20	
10	123.06.009.02	WHEEL HUB	2	
11	11206.088.03	WHEEL NUT	20	
12	176.07.029.01	O - RING	2	
13	002.14.3202	SNAP RING	6	
14	290.06.011.02	PLANET GEAR	6	
15	290.06.013.03	BEARING	6	
16	123.06.710.05	KIT = 13+14+15+17+20	2	
17	112.06.060.04	PLANET GEAR CARRIER	2	
18	355.14.610.02	PLUG	4	
19	016.06.0442	COUNTERSUNK BOLT	4	
20	112.06.017.02	FRICITION WASHER	2	
21	006.22.4177	NUT	16	
22	176.06.065.02	STUD	16	
23	113.06.007.01	LOCKING PLATE	2	
24	113.06.008.01	RING GEAR SUPPORT	2	
25	290.06.010.07	RING GEAR	2	
26	290.06.014.02	CIRCLIP	2	
27	355.14.611.02	MAGNETIC PLUG	2	
28	006.03.3208	NUT	8	
29	123.06.011.03	STUD	8	
30				
31				
32				
33	113.06.708.03	KIT = 24+25+26	2	
34	001.05.3471	O - RING	2	
35				
36	016.14.1138	PLUG	2	
37	011.07.0918	WASHER	2	
38	137.06.006.02	PLUG	2	

BRAKES (DANA 123.07.0001)





Bullet B260-H-F77B; B260-H-F81B & B260-H-F91B

BRAKES (DANA 123.07.0001)

ITEM	PART	DESCRIPTION	QTY	MODEL Or SERIAL #
1	113.07.004.01	SPRING	2	
2	001.05.3471	O - RING	2	
3	123.07.005.01	PISTON	2	
4	212.07.007.01	BACK - UP RING	4	
5	734.07.014.01	BLEEDING BOLT	4	
6	734.07.015.01	PLUG	4	
7	112.07.615.01	KIT = 8+29 PLUG	4	
8	011.07.4225	SEAL WASHER	4	
9	738.07.102.01	O - RING	2	
10	738.07.104.01	BACK - UP RING	2	
11	123.07.006.01	PISTON	2	
12	171.07.010.02	SPRING	6	
13	154.06.014.03	ADJUSTING BOLT	6	
14	154.07.001.01	INTERMEDIATE BRAKE DISC	6	
15	113.07.610.01	BRAKE DISC	6	
16	113.07.014.02	REDUCTION BUSHING	2	
17	112.07.037.14	ADJUSTING BOLT	6	
18	112.07.002.03	SPRING	6	
19	123.07.018.01	INTERMEDIATE BRAKE DISC	2	
20	123.01.020.01	COVER	2	
21	001.05.0746	O - RING	4	
22				
23	123.07.009.02	SPACER	2	
24	113.07.400.01	SHIM DIT	1	
25	011.13.1227	LOCK WASHER	4	
26	006.05.0684	NUT	4	
27	150.07.001.01	BOLT	4	
28	014.02.1906	DOWEL	4	
29	016.10.4218	PLUG	4	



Bullet B260-H-F77B; B260-H-F81B & B260-H-F91B

OILS APPROVED BY DANA



AXLES LUBRICANTS:

OIL CLASSIFICATION REFERENCE API GL5 - LSA -A MIL2105B

LUBRICANT APPROVED FOR DANA AXLE WITH:
BRAKE DISCS IN OIL IMMERSED AND LIMITED SLIP
DIFFERENTIAL.

SHELL SPIRAX HD 85W90

SHELL LS 90

FUCHS RENOGRAR OIL LSA SAE 90

FUCHS TITAN GEAR 85w90 LS

CASTROL LSC SAE 90

MOBIL LUBE SHC LS 75W90 (FULL SYNTHETIC)

MOBIL 1 SAE 75W90 LS (E.P.)

MOBIL HD SAE 80W-90 LS GEAR

CHEVRON SUPREME LS SAE 80W-90



Section 7

MAST & CARRIAGE

ASSEMBLY

Contents

Bullet B260-H-F81B & B260-H-D91B

3 STAGE MAST & ROTATION CARRIAGE ASSEMBLY -----2-3

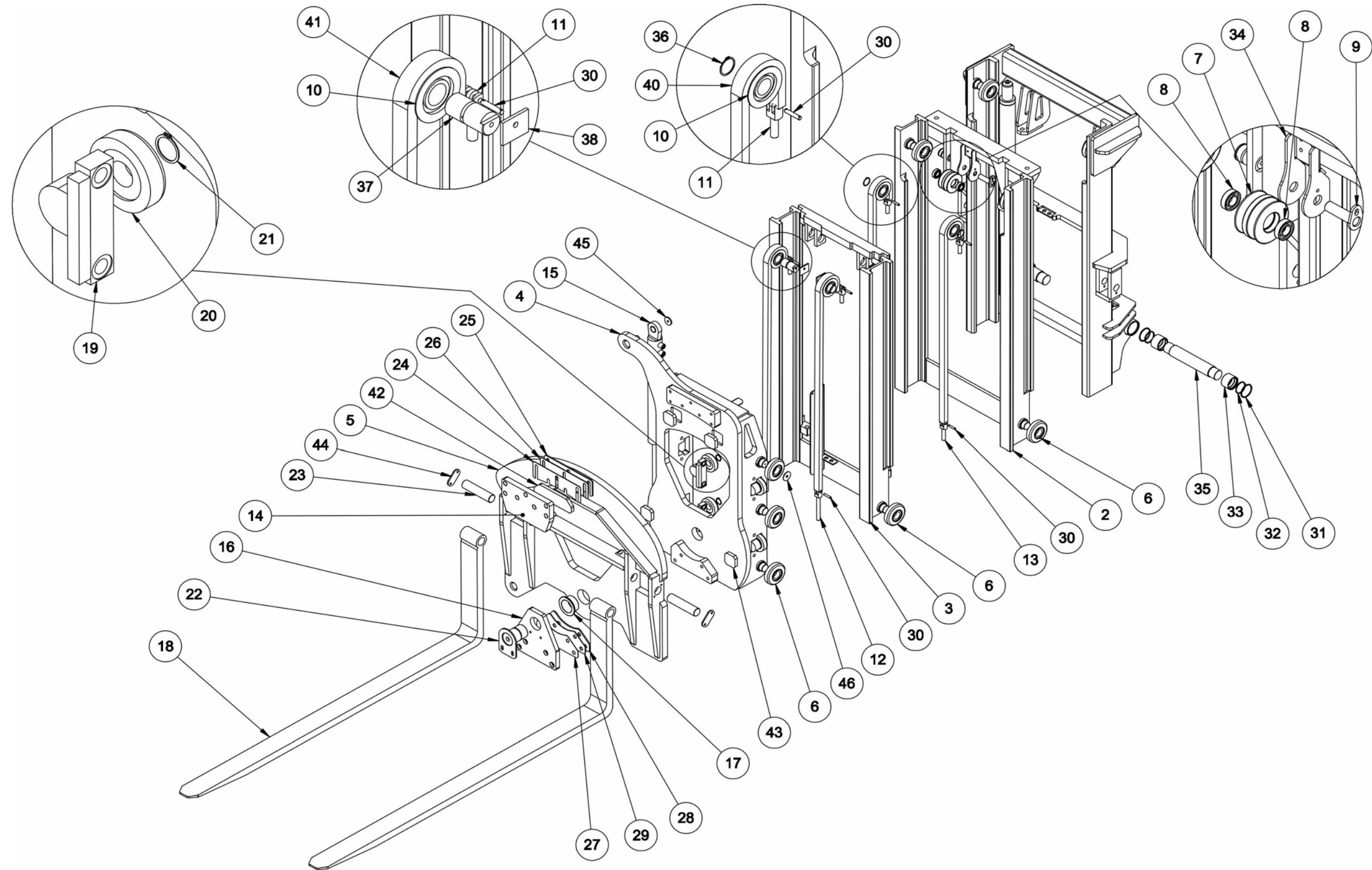
2 STAGE MAST & NON-ROTATION CARRIAGE ASSEMBLY---- 4-5

Bullet B260-H-F77B

3 STAGE MAST & 18° ROTATION CARRIAGE ASSEMBLY -----6-7

3 STAGE MAST; CHAINS & HOSE ROLLERS ----- 8-9

**MAST & CARRIAGE ASSEMBLY
(3S01) (098-15700)**





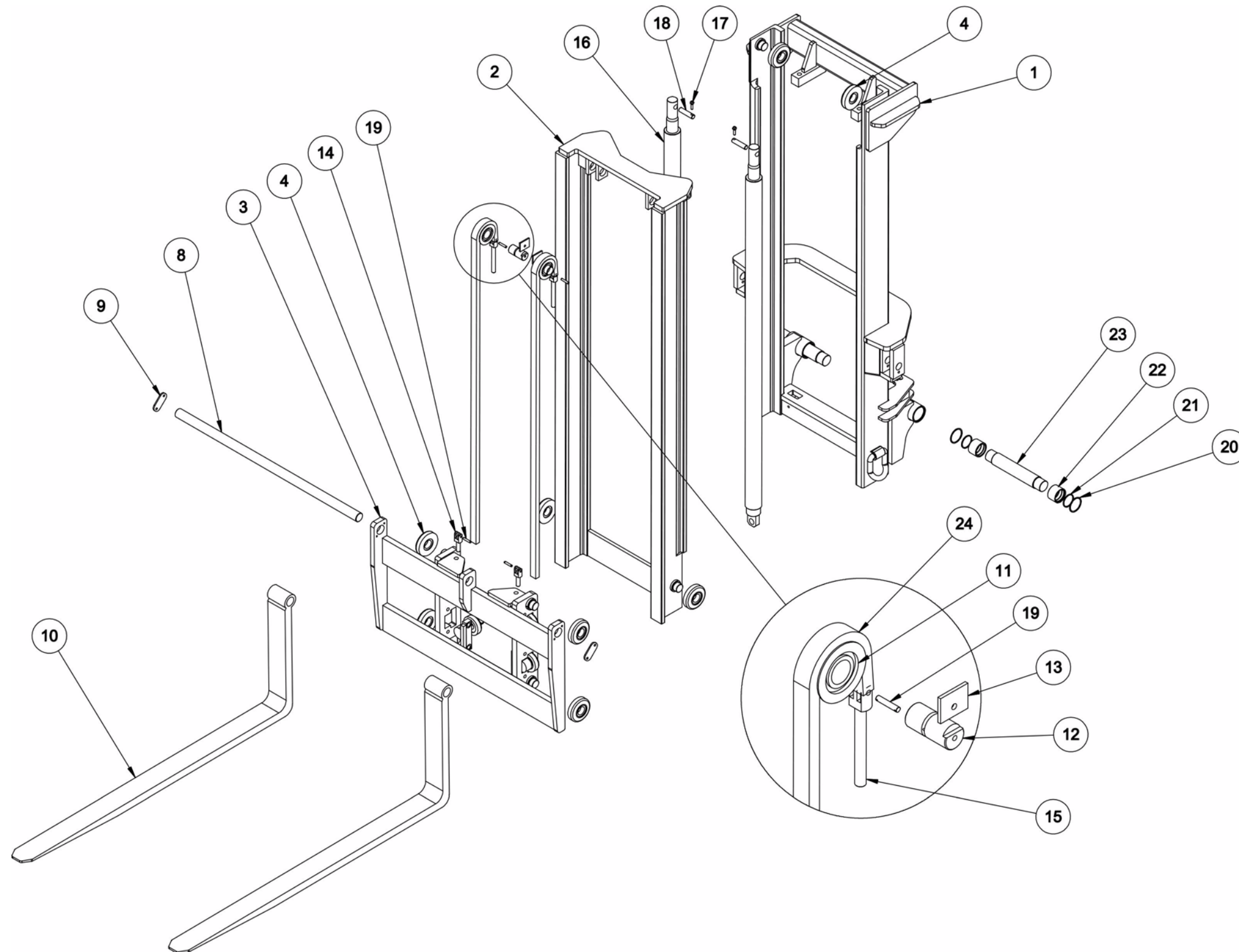
**MAST & CARRIAGE ASSEMBLY
(3S01) (098-15700)**

ITEM	PART	DESCRIPTION	QTY	MODEL Or SERIAL #
1	098-15710	OUTER MAST WELDMENT (3S01)	1	
2	098-15720	MIDDLE MAST WELDMENT (3S01)	1	
3	098-15730	INNER MAST WELDMENT (3S01)	1	
4	098-15740	INNER CARRIAGE (3S01)	1	
5	098-15750	OUTER CARRIAGE (3S01)	1	
6	098-00369	MAST ROLLER	14	
7	098-01582	HOSE ROLLER 2 GR	1	
8	097-20292	BALL BEARING	2	
9	098-15760	HOSE ROLLER PIN WELDMENT	1	
10	030-00084	CHAIN ROLLER FOR BL-844	4	
11	098-00006	CHAIN ANCHOR	4	
12	098-00007	CHAIN ANCHOR FOR BL-844	2	
13	098-00011	CHAIN ANCHOR FOR BL-844	2	
14	098-01595	OUTER CARRIAGE TOP HOLDER	1	
15	098-01596	*ROTATOR CYLINDER	1	
16	098-01597	OUTER CARRIAGE BOTTOM HOLDER	1	
17	098-01598	ROTATOR BUSHING	1	
18	098-00156	PIN TYPE STD. TAPER FORK (6 FEET LONG)	2	
18	098-00155	PIN TYPE STD. TAPER FORK (7 FEET LONG)	2	
19	098-00047	SIDE THRUST ROLLER BASE	4	
20	098-00357	MAST ROLLER	4	
21	098-00929	SNAP RING FOR 1-3/8" SHAFT	4	
22	098-015761	ROTATOR PIVOT PIN WELDMENT	1	
23	098-01614	FORK PIN	2	
24	098-01615-3	TOP ROTATOR SHIM (1/16")	1	
25	098-01615-1	TOP ROTATOR SHIM (1/4")	1	
26	098-01615-2	TOP ROTATOR SHIM (1/8")	1	
27	098-01616-3	BOTTOM ROTATOR SHIM (1/16")	1	
28	098-01616-1	BOTTOM ROTATOR SHIM (1/4")	1	
29	098-01616-2	BOTTOM ROTATOR SHIM (1/8")	1	
30	098-00022	LEAF CHAIN PIN (BL-844)	8	
31	098-00601	RETAINING RING	4	
32	098-00602	MAST PIVOT WIPER	4	
33	410-00052	MAST PIVOT BUSHING	4	

ITEM	PART	DESCRIPTION	QTY	MODEL Or SERIAL #
34	098-15762	HOSE ROLLER SUPPORT WELDMENT	1	
35	410-00054	MAST PIVOT SHAFT	2	
36	098-00929	SNAP RING FOR 1-3/8" SHAFT	2	
37	410-00117	CHAIN ROLLER PIN INNER	2	
38	098-00664	PIN RETAINER	2	
39	170-00028	*LIFT CYLINDER (42-1/4" STROKE)	2	
40	098-00654	LIFTING CHAIN (61" LG) (MAST)	2	
41	098-00655	LIFTING CHAIN (65" LG) (MAST)	2	
42	097-20233	ROTATOR RECT. T-BLOCK	1	
43	097-20229	ROTATOR SQUARE T-BLOCK	4	
44	097-20201	FORK PIN HOLDER	2	
45	097-20187	SWING ARM RETAINER	2	
46	098-00028	RETAINING WASHER FOR TOP ROLLER	2	
47	098-15791	E-CHAIN ASSEMBLY (INCLUDES ITEM 48) (NOT SHOWN)	1	
48	097-20327	MOUNTING KIT (E-CHAIN) (NOT SHOWN)	1	

Note: * See Section 10 Component Parts.

MAST & NON-ROTATION CARRIAGE ASSEMBLY
(2S02) (098-15701)



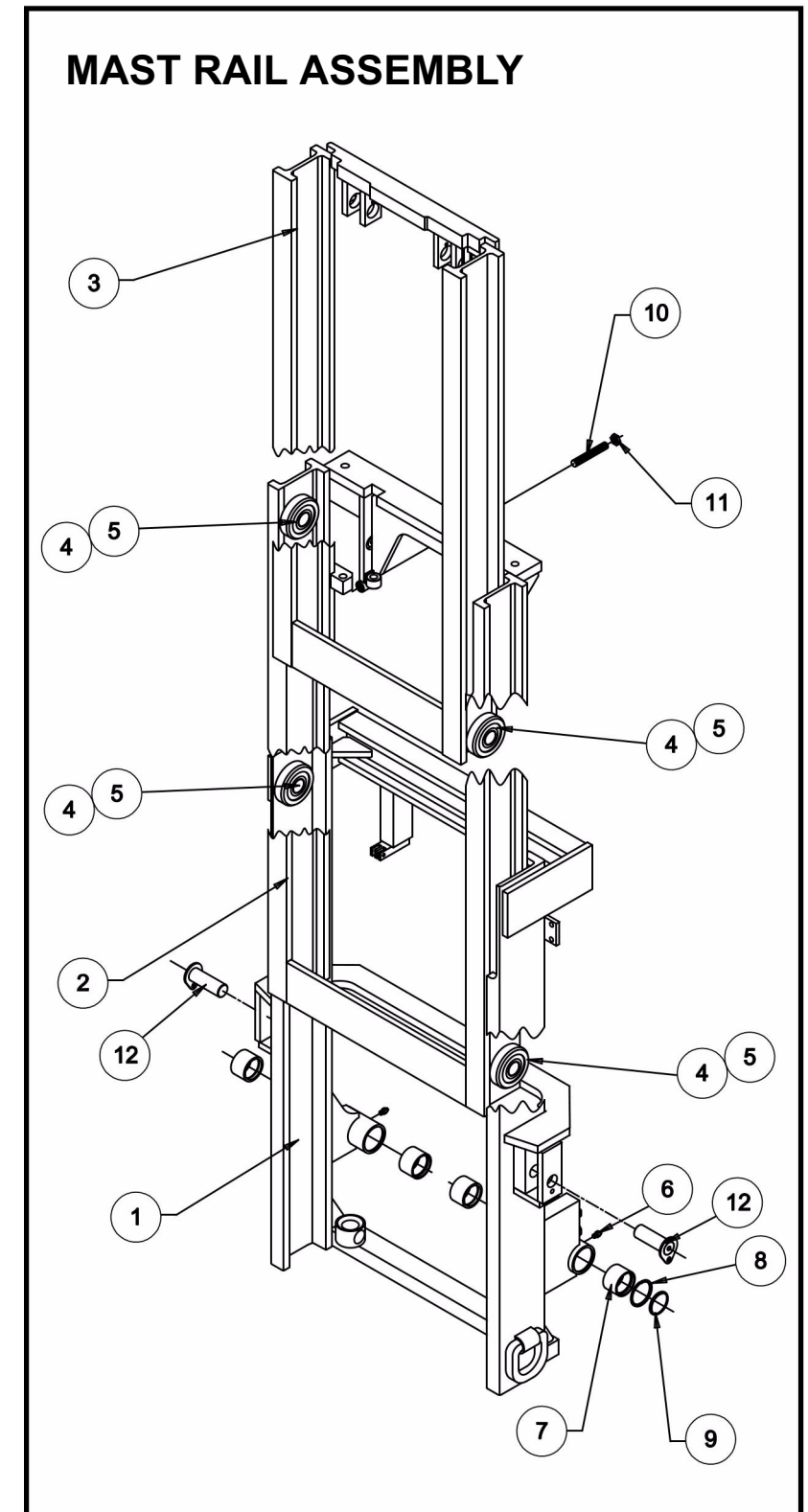
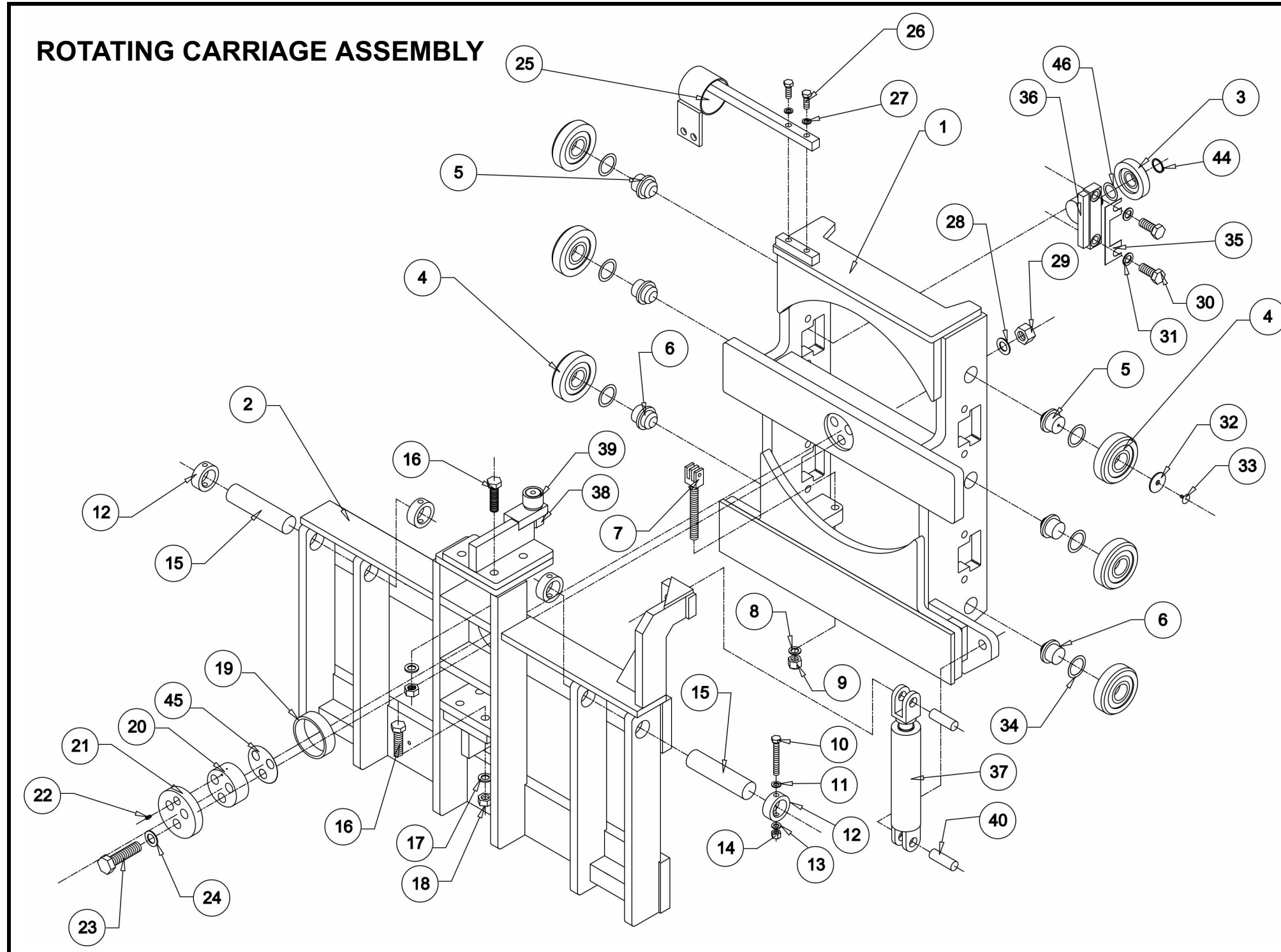


**MAST & NON-ROTATION CARRIAGE ASSEMBLY
(2S02) (098-15701)**

ITEM	PART	DESCRIPTION	QTY	MODEL Or SERIAL #
1	098-15711	OUTER MAST WELDMENT	1	
2	098-15731	INNER MAST WELDMENT	1	
3	098-15770	NON-ROTATING CARRIAGE	1	
4	098-00369	MAST ROLLER	8	
5	098-00047	SIDE THRUST ROLLER BASE	4	
6	098-00357	MAST ROLLER	4	
7	098-00929	SNAP RING FOR 1-3/8" SHAFT	4	
8	098-01657	FORK PIN FOR NON-ROTATOR CARRIAGE	1	
9	097-20201	FORK PIN HOLDER	2	
10	098-00156	PIN TYPE STD. TAPER FORK (6 FEET LONG)	2	
10	098-00155	PIN TYPE STD. TAPER FORK (7 FEET LONG)	2	
11	030-00084	CHAIN ROLLER FOR BL-844	2	
12	410-00117	CHAIN ROLLER PIN INNER	2	
13	098-00664	PIN RETAINER	2	
14	098-00006	CHAIN ANCHOR	2	
15	098-00007	CHAIN ANCHOR FOR BL-844	2	
16	098-00386	*LIFT CYLINDER	2	
17	098-01482	ROD END 3/8	2	
18	098-01659	TILT CYLINDER ANCHOR PIN	2	
19	098-00022	LEAF CHAIN PIN (BL-844)	4	
20	098-00601	RETAINING RING	4	
21	098-00602	MAST PIVOT WIPER	4	
22	410-00052	MAST PIVOT BUSHING	4	
23	410-00054	MAST PIVOT SHAFT	2	
24	098-00402	LIFTING CHAIN (83" LG) (MAST)	2	

Note: * See Section 10 Component Parts.

3 STAGE MAST & ROTATING CARRIAGE ASSEMBLY (77" BULLET)





3 STAGE MAST & ROTATING CARRIAGE ASSEMBLY (77" BULLET)

Rotation Carriage Assembly

ITEM	PART	DESCRIPTION	QTY	MODEL Or SERIAL #
1	010-00121	BM18R ROTATOR	1	
2	010-00122	FORK RACK	1	
3	098-00357	ROLLER	4	
4	098-00369	ROLLER	6	
5	410-00078	STUB SHAFT	2	
6	410-00077	STUB SHAFT	4	
7	098-00007	CHAIN ANCHOR	2	
8	210-00313	LOCK WASHER	2	
9	190-00134	LOCK NUT	2	
10	210-00032	BOLT	4	
11	210-00309	LOCK WASHER	4	
12	410-00115	SET COLLAR	4	
13	210-00309	LOCK WASHER	4	
14	210-00195	LOCK NUT	4	
15	410-00114	IMPLEMENT BAR	2	
16	210-00063	BOLT	8	
17	210-00313	LOCK WASHER	8	
18	190-00134	LOCK NUT	8	
19	098-00027	TEFLON BUSHING	1	
20	410-00178	RETAINER SHAFT	1	
21	410-00177	RETAINER PLATE	1	
22	210-00154	GREASE FITTING	1	
23	210-00508	BOLT	3	
24	210-00440	LOCK WASHER	3	
25A	098-00032	TURN AROUND BRACKET (LH)	1	
25B	098-00033	TURN AROUND BRACKET (RH)	1	
26	210-00018	BOLT	2	
27	210-00309	LOCK WASHER	2	
28	210-00440	LOCK WASHER	3	
29	210-00163	NUT	3	
30	210-00063	BOLT	8	
31	210-00313	LOCK WASHER	8	
32	098-00028	RETAINING CAP	2	
33	210-00558	RETAINING SCREW	2	
34	098-00371	SHIM 0.015"	A/R	
34	098-00366	SHIM 0.060"	A/R	

ITEM	PART	DESCRIPTION	QTY	MODEL Or SERIAL #
35	098-00358	SHIM 1/32"	A/R	
35	098-00359	SHIM 1/16"	A/R	
36	098-00030	BASE, SIDE THRUST ROLLER ASSEMBLY	4	
37	170-00014	*ROTATOR CYLINDER	1	
38	210-00159	HEX NUT	1	
39	098-00798	CAM ROLLER	1	
40	170-00047	CLEVIS PIN	2	
44	098-00053	SNAP RING	4	
45	410-00257	SHIM FOR RETAINER SHAFT	A/R	
46A	098-00370	SHIM 0.015"	A/R	
46B	098-00365	SHIM, 0.060"	A/R	
NOT SHOWN	098-00155	7' FORKS	2	
NOT SHOWN	098-00156	6' FORKS	2	
NOT SHOWN	098-00158	4' FORKS	2	

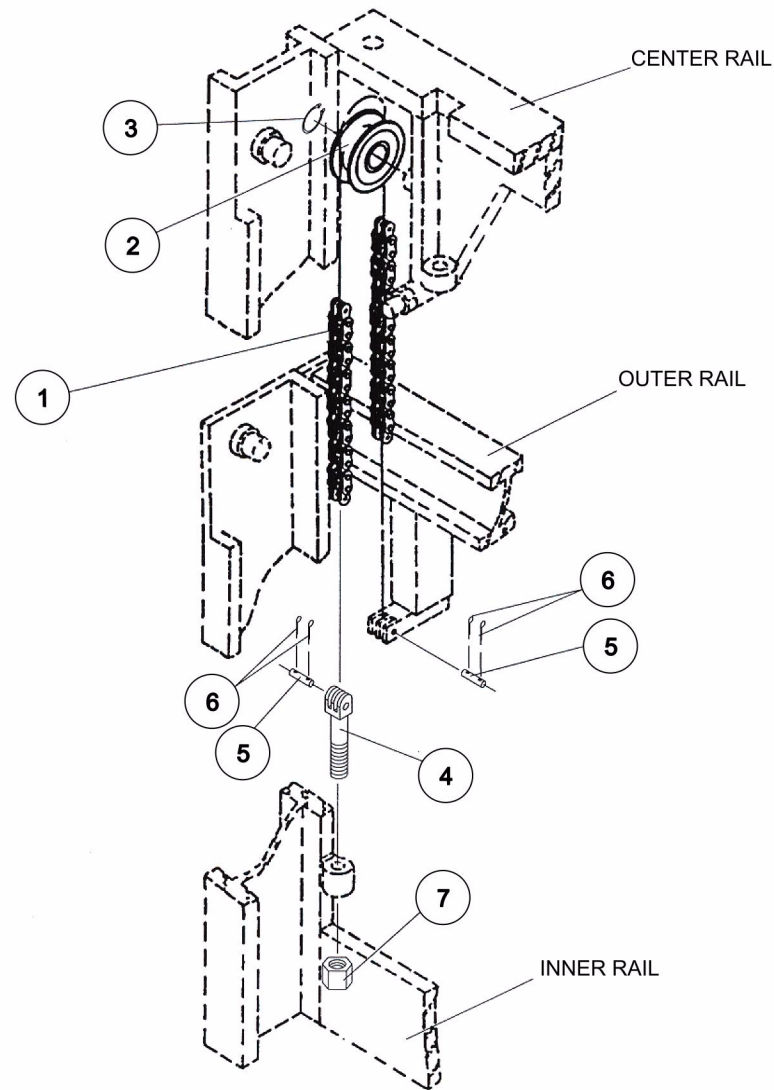
Note: * See Section 10 Component Parts.

Mast Rail Assembly (3S02)

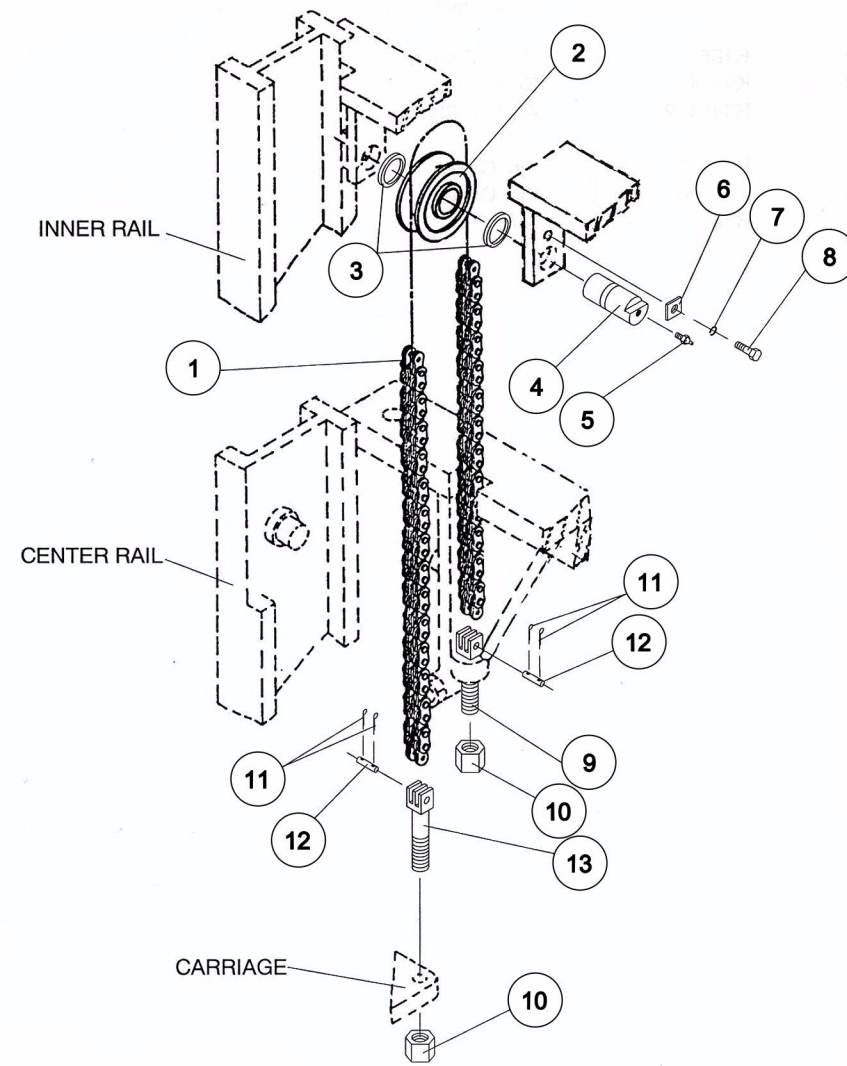
ITEM	PART	DESCRIPTION	QTY	MODEL Or SERIAL #
	098-00203	COMPLETE 3S02 MAST W/ BM18R ROTATOR		
1	010-00060	OUTER RAIL ASSEMBLY	1	3S02
2	010-00059	CENTER RAIL ASSEMBLY	1	3S02
3	010-00058	INNER RAIL ASSEMBLY	1	3S02
4	098-00370	SHIM 0.015"	A/R	
4	098-00371	SHIM 0.015"	A/R	
5	098-00369	ROLLER	8	
6	210-00154	GREASE FITTING	2	
7	410-00052	BRONZE BUSHING	4	
8	098-00601	RETAINING RING	4	
9	098-00602	WIPER	4	
10	098-00603	BOLT, STOP	2	
11	098-00604	NUT, STOP	2	
12	098-00036	TILT CYLINDER PIN	2	

3 STAGE MAST & ROTATING CARRIAGE ASSEMBLY (77" BULLET)

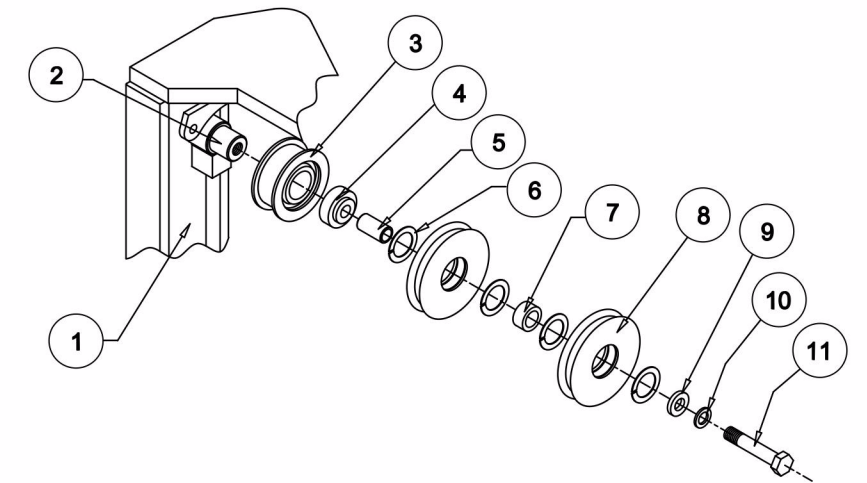
MAST CHAINS & ROLLERS



CARRIAGE CHAINS & ROLLERS



CHAIN & HOSE ROLLERS





3 STAGE MAST & ROTATING CARRIAGE ASSEMBLY (77" BULLET)

MAST CHAINS & ROLLERS

ITEM	PART	DESCRIPTION	QTY	MODEL Or SERIAL #
1	098-00655	CHAIN ASSEMBLY	2	3S01
1	098-00656	CHAIN ASSEMBLY	2	3S02
2	030-00084	CHAIN SHEAVE	2	
3	098-000658	SNAP RING	2	
4	098-00011	CHAIN ANCHOR	2	
5	098-00022	CHAIN PIN	4	
6	098-00661	COTTER PIN	8	
7	098-00662	NUT	2	

CHAIN & ROLLERS ROLLERS

ITEM	PART	DESCRIPTION	QTY	MODEL Or SERIAL #
	098-00049	HOSE KIT ASSEMBLY (INCLUDES ITEMS 2-11)	1	
1	010-00063	INNER RAIL	1	
2	410-00214	CHAIN ROLLER SHAFT	1	
3	030-00084	CHAIN SHEAVE	1	
4	410-00248	CHAIN SHEAVE RETAINER	1	
5	410-00249	SHAFT EXTENSION FOR HOSE SHEAVE	1	
6	098-00051	SNAP RING	4	
7	410-00250	SHEAVE SPACER	1	
8	410-00247	HOSE SHEAVE	2	
9	410-00251	HOSE SHEAVE CAP	1	
10	210-00321	LOCK WASHER	1	
11	210-00065	BOLT	1	

CARRIAGE CHAINS & ROLLERS

ITEM	PART	DESCRIPTION	QTY	MODEL Or SERIAL #
1	098-00655	CHAIN ASSEMBLY	2	
1	098-00657	CHAIN ASSEMBLY	2	
2	030-00084	CHAIN SHEAVE	2	
3	098-00667	SPACER	4	
4	410-00117	PIN, SHEAVE	2	
5	098-00491	FITTING, GREASE	2	
6	098-00664	WASHER, RETAINER	2	
7	098-00665	WASHER, LOCK	2	
8	210-00666	BOLT, HEX	2	
9	098-00006	CHAIN ANCHOR	2	
10	098-00662	NUT	4	
11	098-00661	COTTER PIN	8	
12	098-00022	CHAIN PIN	4	
13	098-00007	CHAIN ANCHOR	2	



Inc.

Bullet B260-H-F77B; B260-H-F81B & B260-H-D91B



Bullet B260-H-F77B; B260-H-F81B & B260-H-F91B

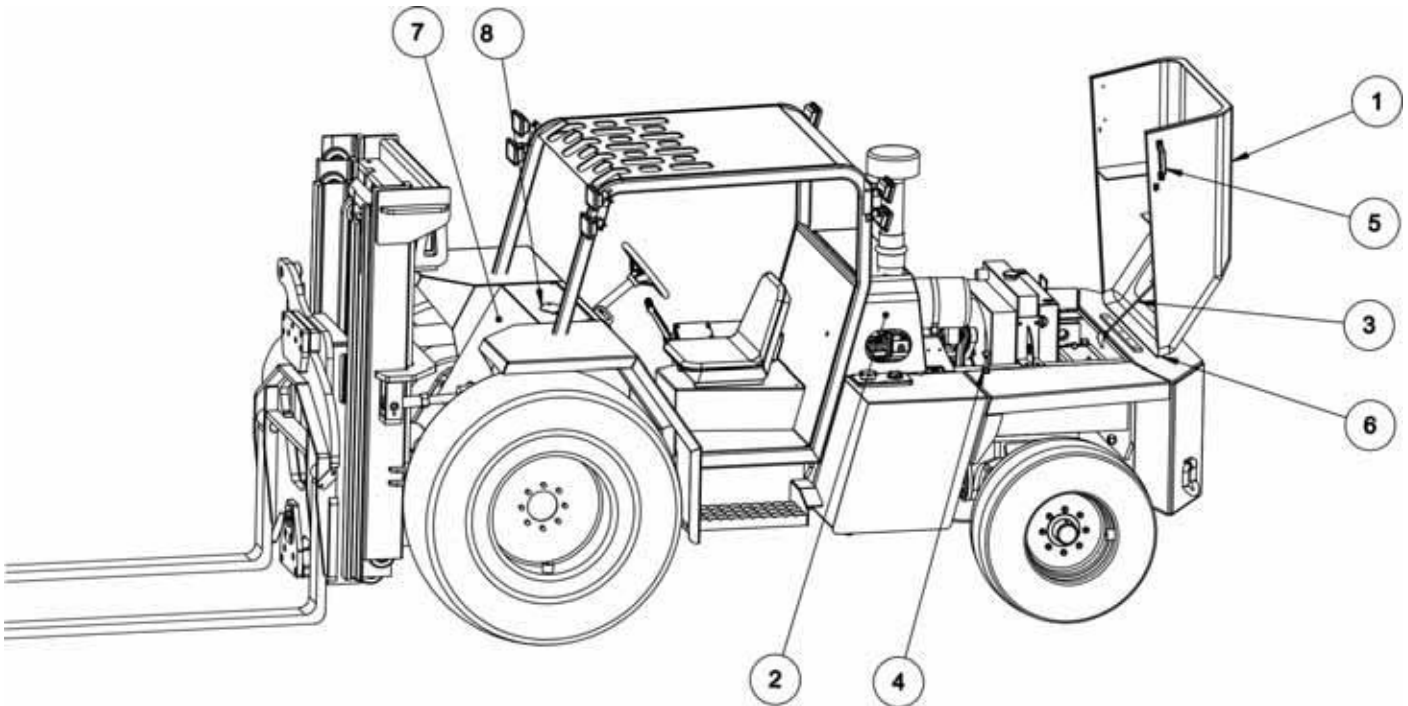
Section 8

HOODS & ACCESSORIES

Contents

HOOD ASSEMBLY ----- 2

**HOOD ASSEMBLY
(098-15800)**





Bullet B260-H-F77B; B260-H-F81B & B260-H-F91B

**HOOD ASSEMBLY
(098-15800)**

ITEM	PART	DESCRIPTION	QTY	MODEL Or SERIAL #
1	098-01635	HINGED HOOD (81" & 91" BULLET)	1	
	098-01775	HINGED HOOD (77" BULLET)	1	
2	098-01634	FIXED HOOD (81" & 91" BULLET)	1	
	098-01774	FIXED HOOD (77" BULLET)	1	
3	098-01269	GAZ CYLINDER	1	
4	098-00162	HOLD DOWN	2	
5	098-00161	HANDLE	2	
6	098-01170	BUMPER	3	
7	098-01486	FRONT ACCESS COVER (OPEN CAB)	1	
7	098-01494	FRONT ACCESS COVER (ENCLOSED CAB)	1	
8	FLI4125	MASTER CYLINDER ACCESS COVER	1	



Bullet B260-H-F77B; B260-H-F81B & B260-H-F91B



Bullet B260-H-F77B; B260-H-F81B & B260-H-F91B

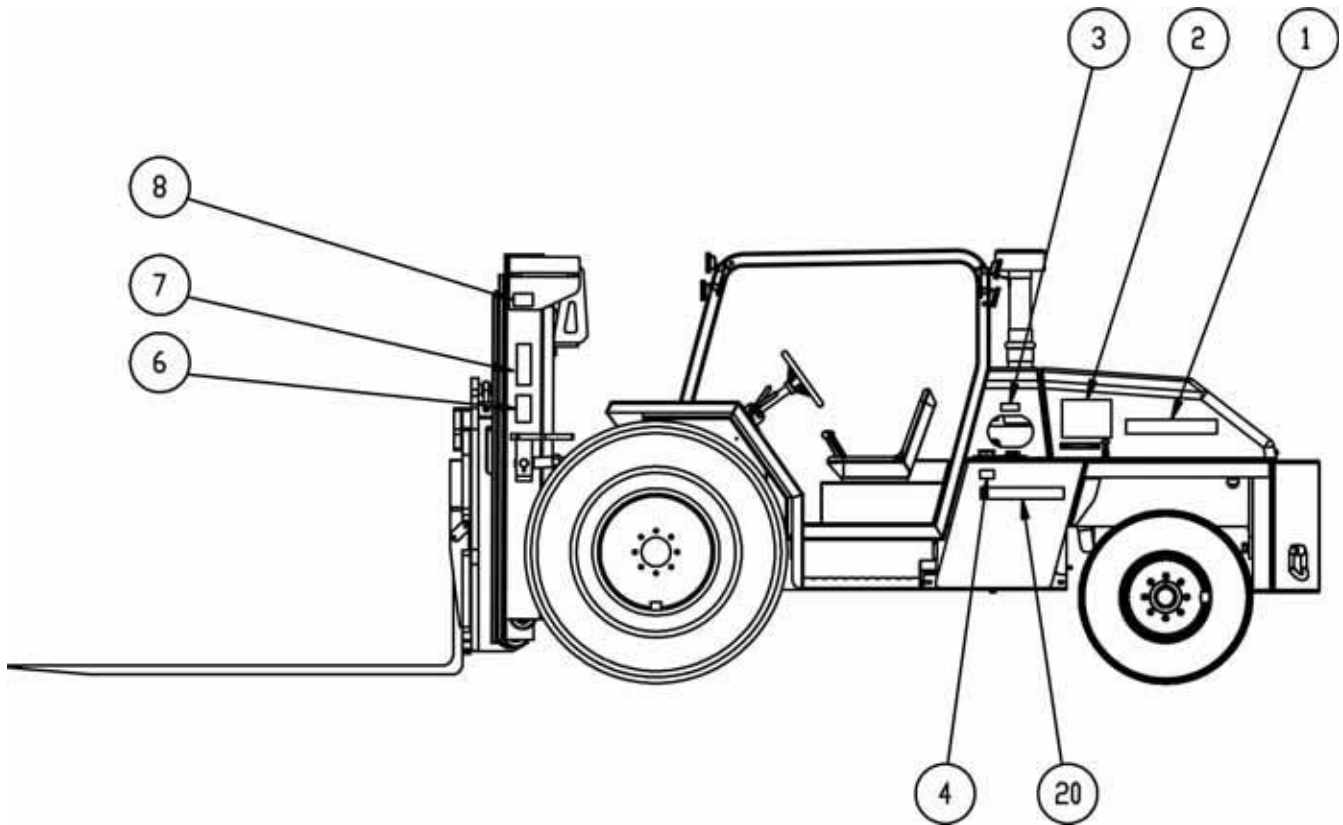
Section 9

DECALS

Contents

DECALS, Bullet 77" & 81" Field Loader - - - - - 2
DECALS, Bullet 91" Back Dock - - - - - 8, 10, 12

**DECALS, 77" & 81" FIELD LOADER
(098-15900)**



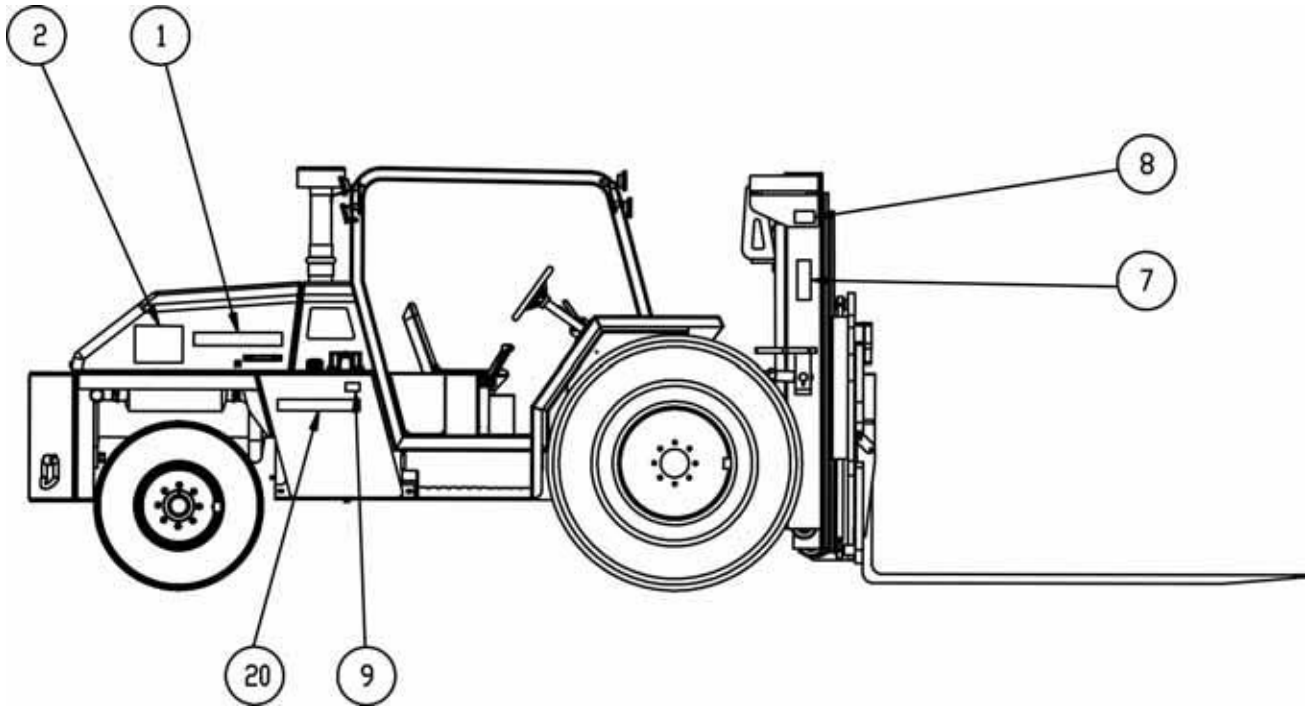


Inc. Bullet B260-H-F77B B260-H-F81B

**DECALS, 77" & 81" FIELD LOADER
(098-15900)**

ITEM	PART	DESCRIPTION	QTY	MODEL Or SERIAL #
1	098-00907	DECAL, BULLET	2	
2	098-00908	DECAL, BRIGHT COOP LOGO	3	
3	097-20462	DECAL, ENGINE OIL LEVEL	1	
4	097-20463	DECAL, DIESEL FUEL ONLY	1	
6	098-00718	MAST ID PLATE	1	
7	360-00103	DECAL, WARNING (DO NOT STAND ON OR UNDER THE FORKS)	2	
8	360-00105	DECAL, WARNING (KEEP FINGER CLEAR OF CROSS BRACING)	2	
20	098-01691	DECAL, B260-H-F81B	2	
	098-01777	DECAL, B260-H-F77B	2	

**DECALS, 77" & 81" FIELD LOADER
(098-15900)**



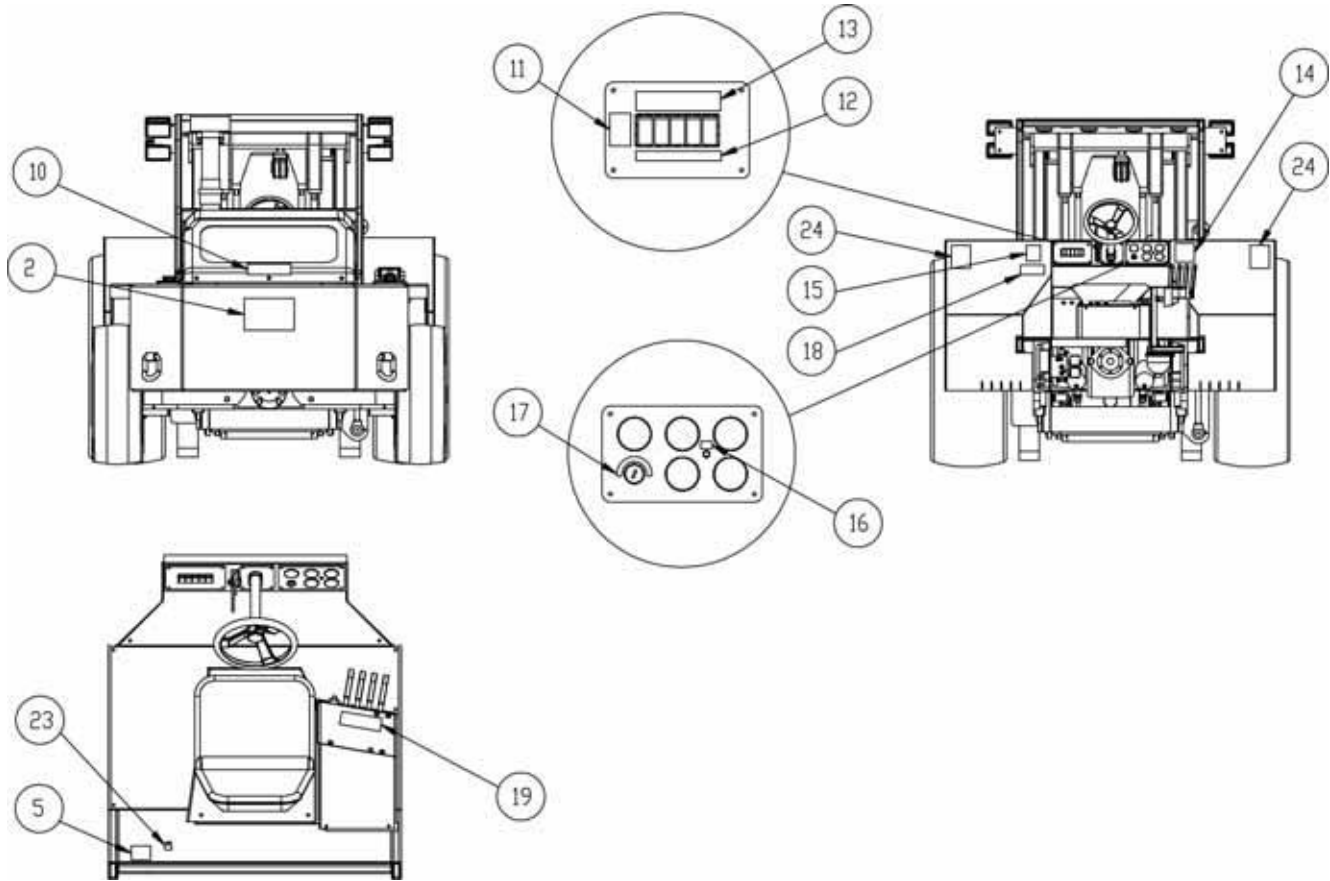


Inc. Bullet B260-H-F77B & B260-H-F81B

**DECALS, 77" & 81" FIELD LOADER
(098-15900)**

ITEM	PART	DESCRIPTION	QTY	MODEL Or SERIAL #
1	098-00907	DECAL, BULLET	2	
2	098-00908	DECAL, BRIGHT COOP LOGO	3	
7	360-00103	DECAL, WARNING (DO NOT STAND ON OR UNDER THE FORKS)	2	
8	360-00105	DECAL, WARNING (KEEP FINGER CLEAR OF CROSS BRACING)	2	
9	097-20464	DECAL, HYDRAULIC OIL ONLY	1	
20	098-01691	DECAL, B260-H-F81B	2	
	098-01777	DECAL, B260-H-F77B	2	

**DECALS, 77" & 81" FIELD LOADER
(098-15900)**



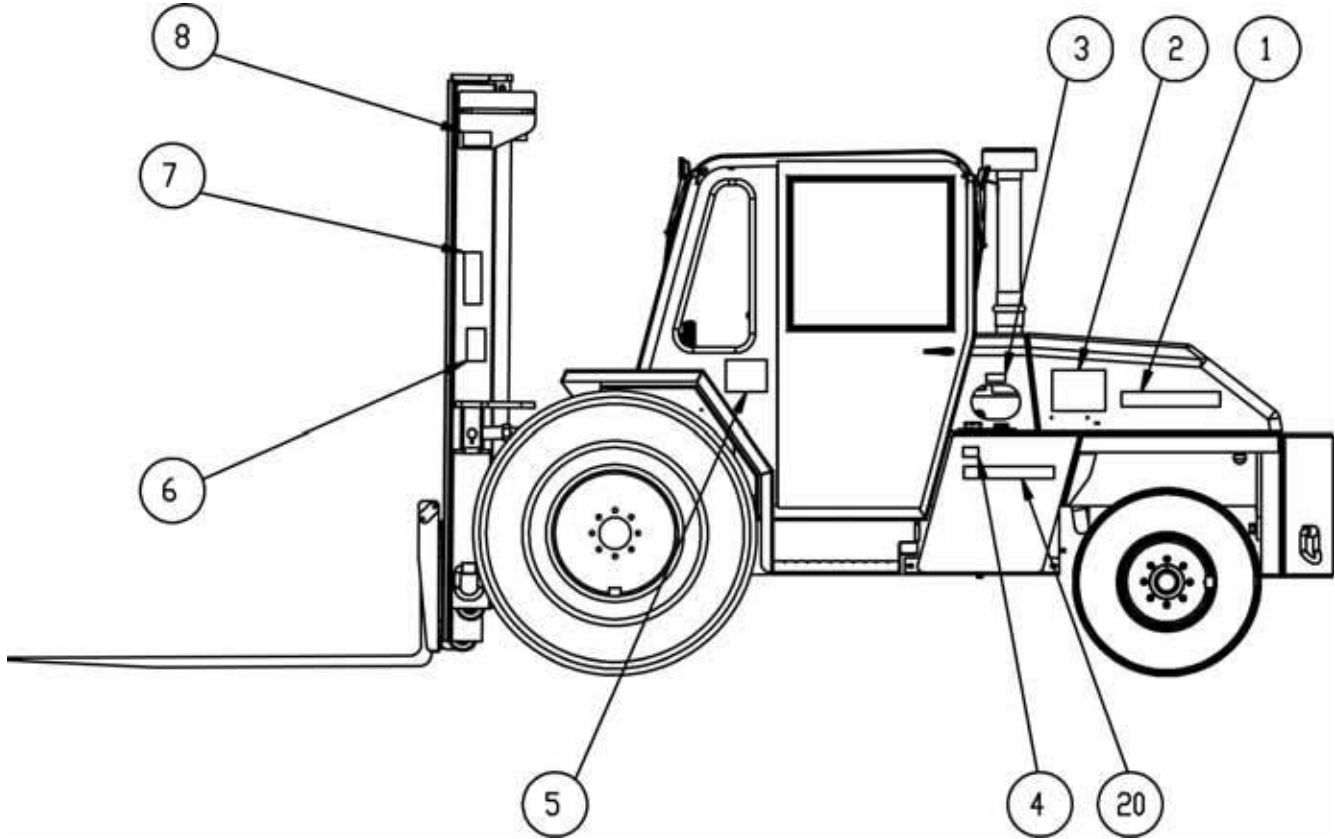


Bullet B260-H-F77B & B260-H-F81B

**DECALS, 77" & 81" FIELD LOADER
(098-15900)**

ITEM	PART	DESCRIPTION	QTY	MODEL Or SERIAL #
2	098-00908	DECAL, BRIGHT COOP LOGO	3	
5	097-20471	DECAL, MADE WITH PRIDE BRIGHT COOP, TEXAS USA	2	
10	360-00063	DECAL, STAY CLEAR	1	
11	097-20465	DECAL, CAUTION (ALWAYS APPLY PARKING BRAKE BEFORE LEAVING THE LIFT TRUCK)	1	
12	097-20461	DECAL, SWITCH BOTTOM	1	
13	097-20460	DECAL, SWITCH TOP	1	
14	098-00942	LIFT TRUCK ID PLATE	1	
15	097-20470	DECAL, WARNING (DO NOT OPERATE THIS TRUCK UNLESS YOU ARE TRAINED---- TO DO SO)	1	
16	098-01753	DECAL, AIR	1	
17	097-20459	DECAL, KEY SWITCH FUNCTIONS	1	
18	097-20469	DECAL, WARNING (ALWAYS WEAR SEAT BELT WHEN DRIVING)	1	
19	360-00110	DECAL, CONTROL VALVE FUNCTIONS	1	
20	098-01691	DECAL, B260-H-F81B	2	
21	360-00128	DECAL, WARNING (CUT / CRUSH HAZARD, KEEP HANDS CLEAR OF FAN & BELTS) (NOT SHOWN)	1	
22		DECAL, WARNING (HOT LIQUID UNDER PRESSURE HAZARD) (NOT SHOWN)	1	
23	097-20466	DECAL, MAIN SWITCH	1	
24	360-00102	DECAL, CAUTION (NO RIDERS)	2	

**DECALS, 91" BACK DOCK
(098-15901)**



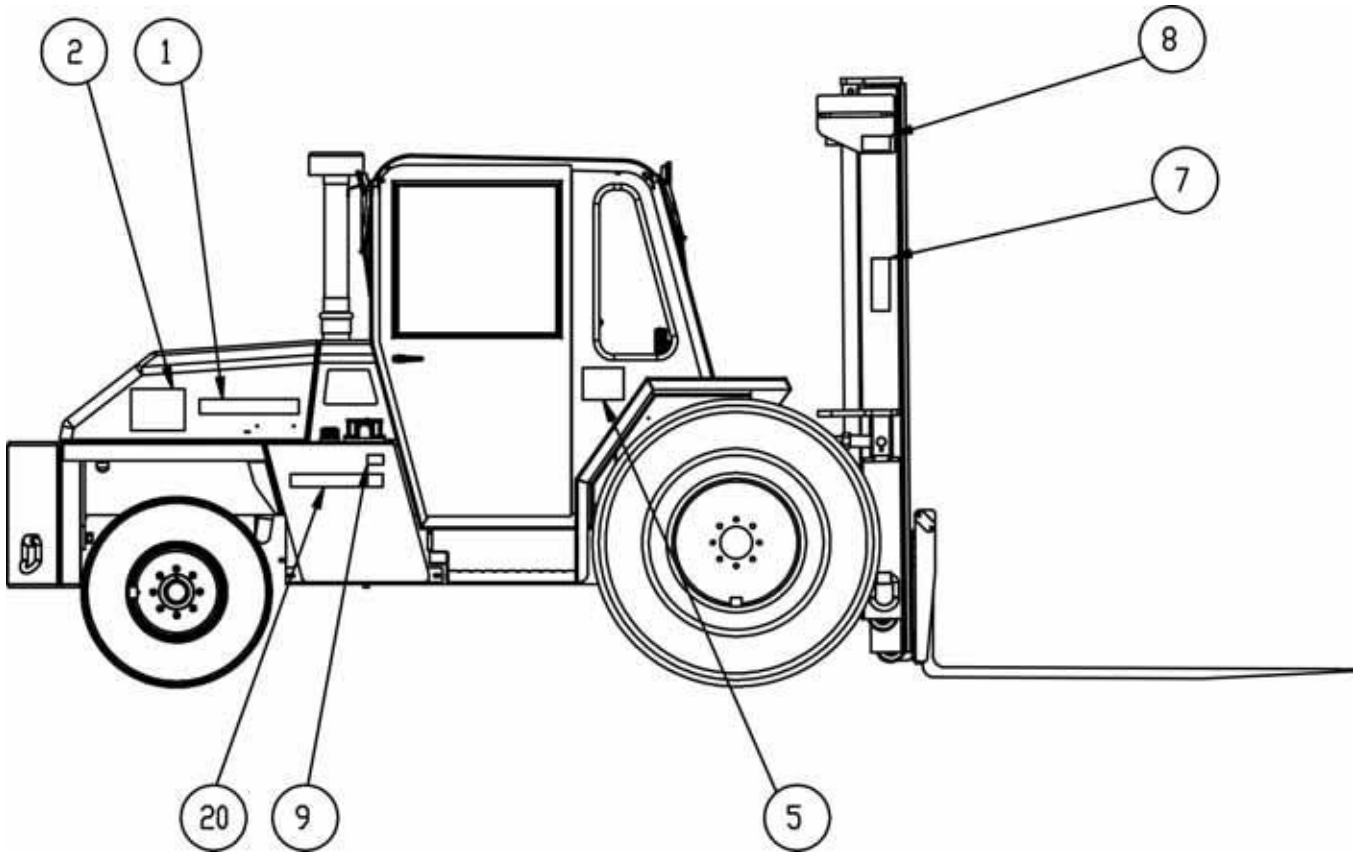


Bullet B260-H-F91B

**DECALS, 91" BACK DOCK
(098-15901)**

ITEM	PART	DESCRIPTION	QTY	MODEL Or SERIAL #
1	098-00907	DECAL, BULLET	2	
2	098-00908	DECAL, BRIGHT COOP LOGO	3	
3	097-20462	DECAL, ENGINE OIL LEVEL	1	
4	097-20463	DECAL, DIESEL FUEL ONLY 1		
5	097-20471	DECAL, MADE WITH PRIDE BRIGHT COOP, TEXAS USA	2	
6	098-00718	MAST ID PLATE	1	
7	360-00103	DECAL, WARNING (DO NOT STAND ON OR UNDER THE FORKS)	2	
8	360-00105	DECAL, WARNING (KEEP FINGER CLEAR OF CROSSBRACING)	2	
20	098-01692	DECAL, B260-H-F91B	2	

**DECALS, 91" BACK DOCK
(098-15901)**



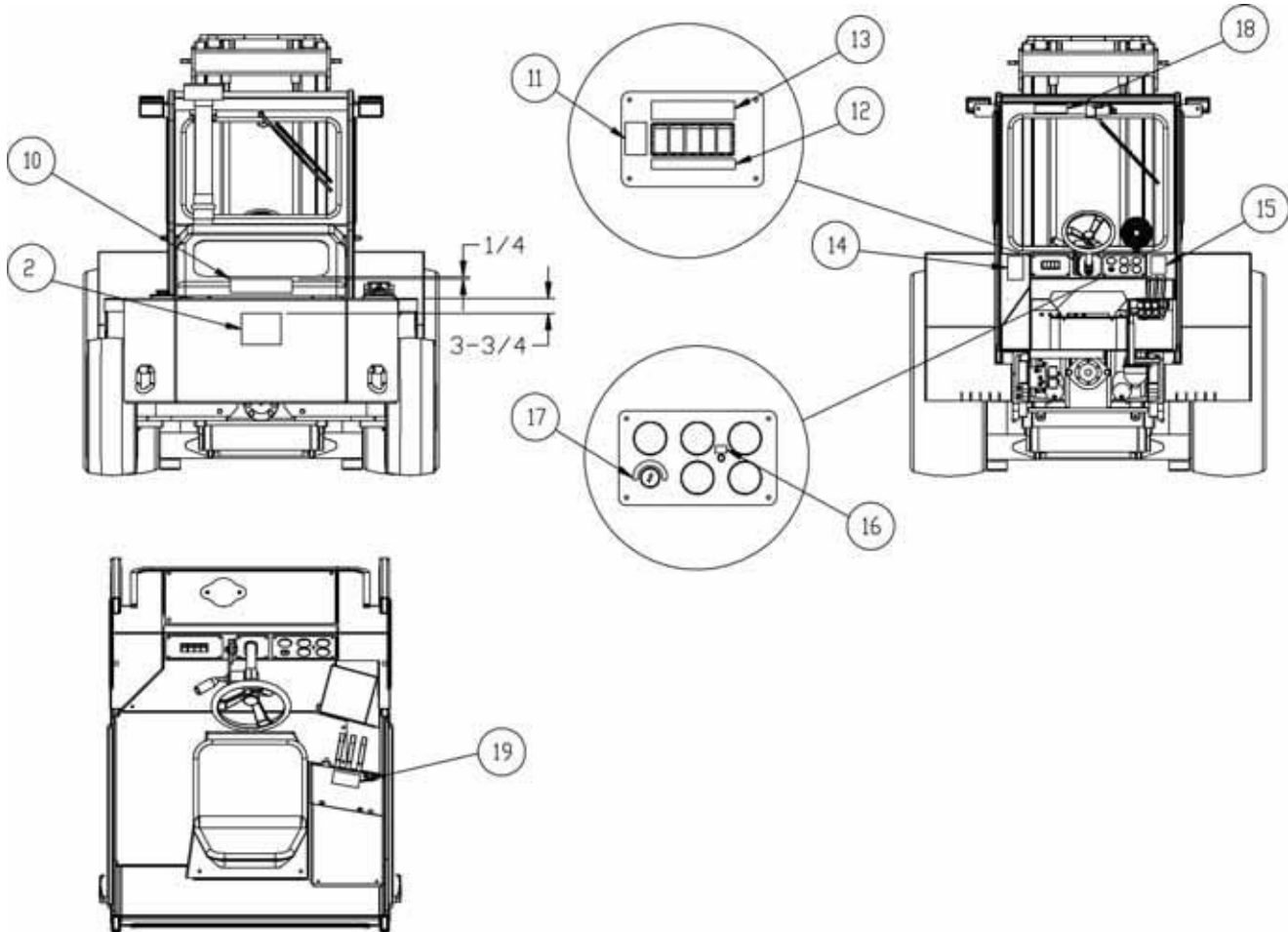


Bullet B260-H-F91B

**DECALS, 91" BACK DOCK
(098-15901)**

ITEM	PART	DESCRIPTION	QTY	MODEL Or SERIAL #
1	098-00907	DECAL, BULLET	2	
2	098-00908	DECAL, BRIGHT COOP LOGO	3	
5	097-20471	DECAL, MADE WITH PRIDE BRIGHT COOP, TEXAS USA	2	
7	360-00103	DECAL, WARNING (DO NOT STAND ON OR UNDER THE FORKS)	2	
8	360-00105	DECAL, WARNING (KEEP FINGER CLEAR OF CROSSBRACING)	2	
9	097-20464	DECAL, HYDRAULIC OIL ONLY	1	
20	098-01692	DECAL, B260-H-F91B	2	

**DECALS, 91" BACK DOCK
(098-15901)**





Bullet B260-H-F91B

**DECALS, 91" BACK DOCK
(098-15901)**

ITEM	PART	DESCRIPTION	QTY	MODEL Or SERIAL #
2	098-00908	DECAL, BRIGHT COOP LOGO	3	
10	360-00063	DECAL, STAY CLEAR	1	
11	097-20465	DECAL, CAUTION (ALWAYS APPLY PARKING BRAKE BEFORE LEAVING THE LIFT TRUCK)	1	
12	097-20461	DECAL, SWITCH BOTTOM	1	
13	097-20460	DECAL, SWITCH TOP	1	
14	098-00942	LIFT TRUCK ID PLATE	1	
15	097-20470	DECAL, WARNING (DO NOT OPERATE THIS TRUCK UNLESS YOU ARE TRAINED TO DO SO)	1	
16	098-01753	DECAL, AIR	1	
17	097-20459	DECAL, KEY SWITCH FUNCTIONS	1	
18	097-20469	DECAL, WARNING (ALWAYS WEAR SEAT BELT WHEN DRIVING)	1	
19	360-00110	DECAL, CONTROL VALVE FUNCTIONS	1	



Bullet B260-H-F91B



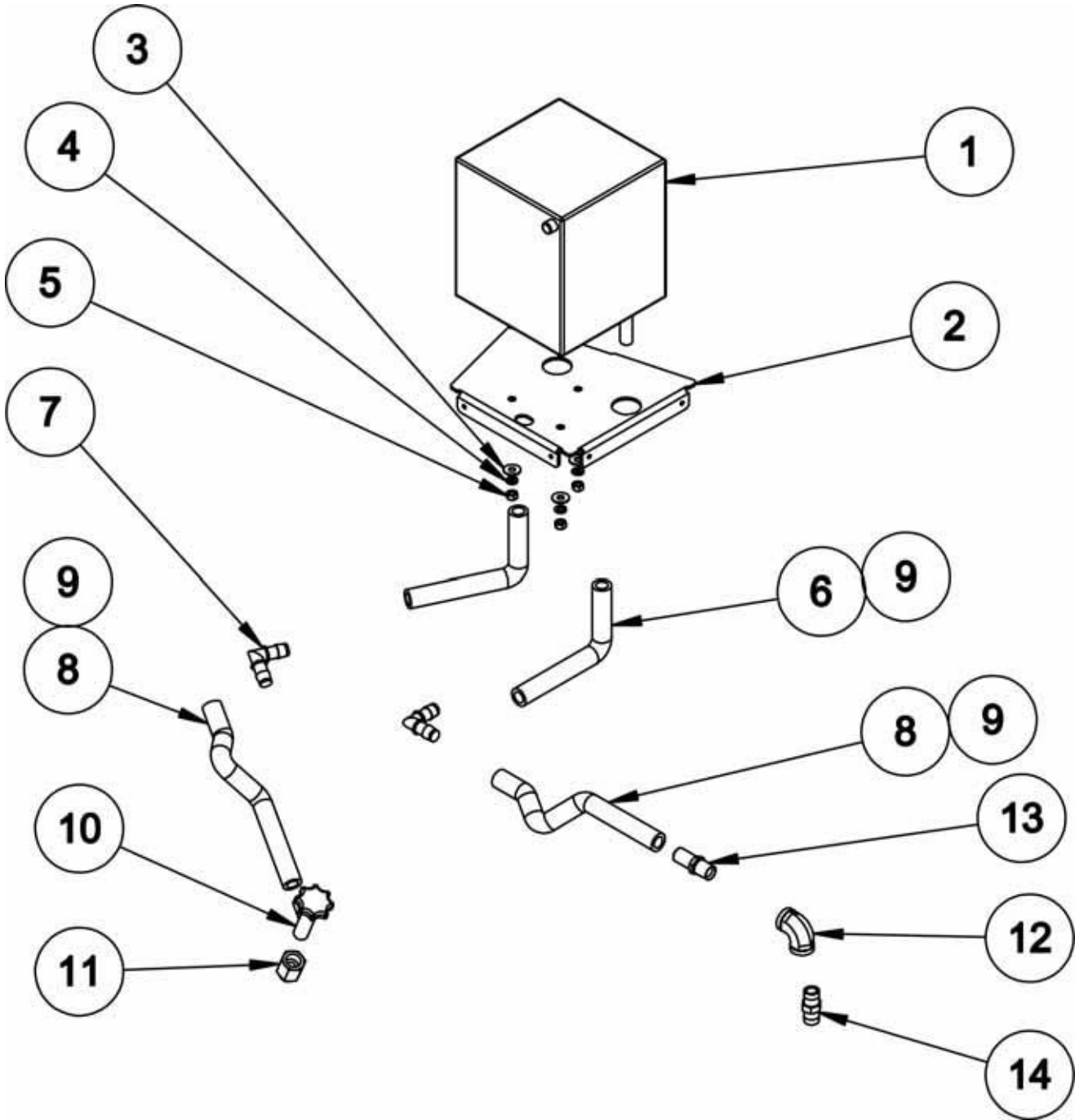
Section 10

COMPONENT PARTS

Contents

HEATER ASSEMBLY-----	2
WIPER ASSEMBLY -----	4
SERVICE BRAKE CONTROL ASSEMBLY -----	6
WHEEL HUB ASSEMBLY -----	8
CONNECTING LINK ASSEMBLY -----	10
HYDRAULIC TANK ASSEMBLY -----	12
CONTROL BLOCK ASSEMBLY "NEW HOLLAND AXLE" -----	14
CONTROL BLOCK ASSEMBLY "DANA AXLE" -----	16
AIR CLEANER ASSEMBLY-----	18
STEERING CYLINDER-----	20
LIFT CYLINDER (2 STAGE MAST) -----	22
LIFT CYLINDER (3 STAGE MAST) -----	24
TILT CYLINDER -----	26
SIDESHIFT CYLINDER -----	28
ROTATOR CYLINDER -----	30
3 or 4 SECTION VALVE ASSEMBLY -----	32
FLUID CAPACITIES -----	34
BRIGHT'S PART NUMBERS FOR FILTERS -----	35

**HEATER ASSEMBLY
(098-15203)**



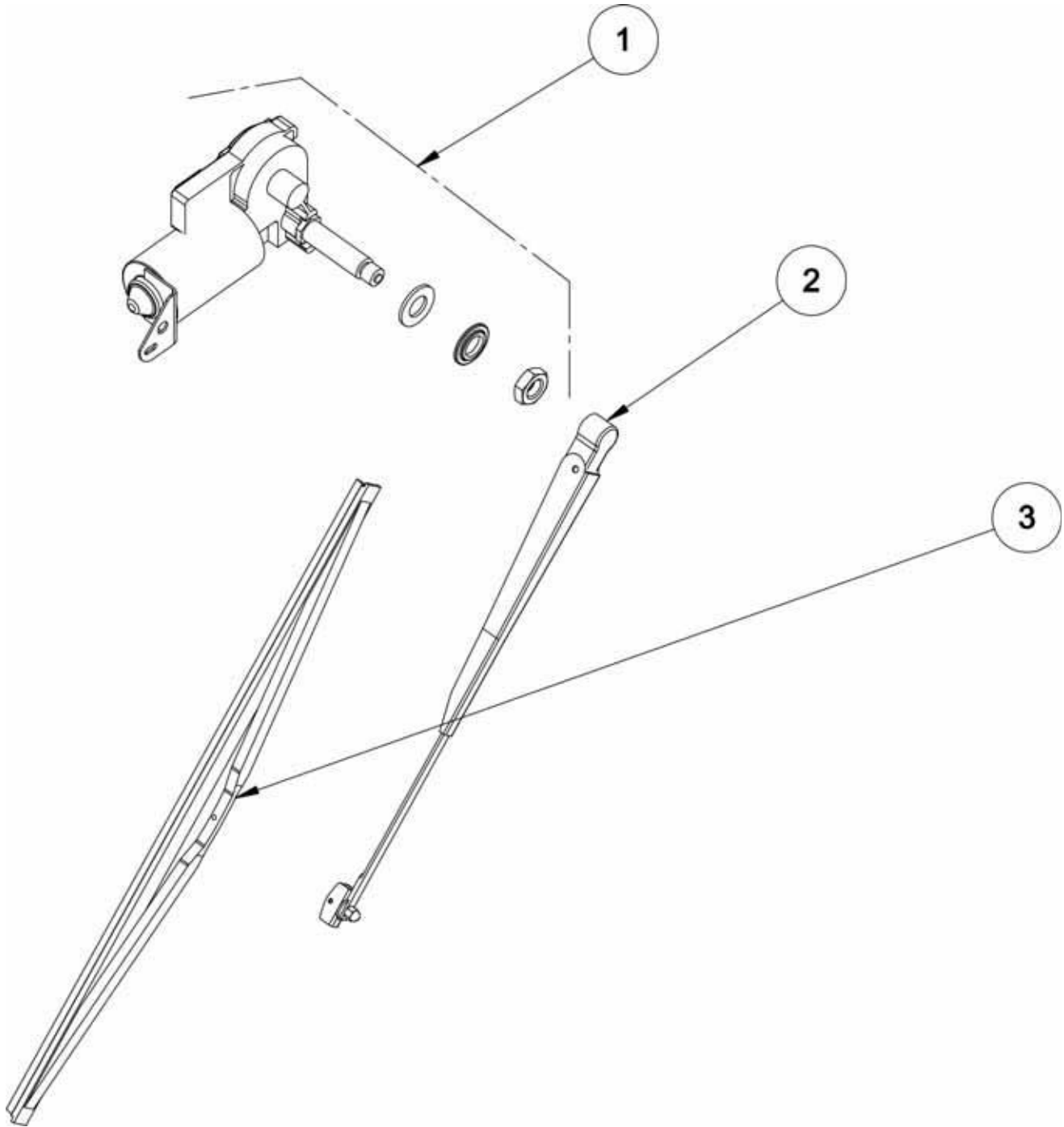


Bullet B260-H-F77B; B260-H-F81B & B260-H-F91B

**HEATER ASSEMBLY
(098-15203)**

ITEM	PART	DESCRIPTION	QTY	MODEL Or SERIAL #
1	098-15206	HEATER ASSEMBLY	1	
2	098-01674	HEATER SUPPORT PLATE	1	
3	REF	FLATWASHER	3	
4	REF	LOCKWASHER	3	
5	REF	NUT HEX FIN NC GRADE 5	3	
6	098-01688	90° RUBBER ELBOW	2	
7	098-01751	90° CONNECTOR	2	
8	330-00408	HEATER HOSE	2FT	
9	210-00594	HOSE CLAMP	8	
10	098-00786	HEATER VALVE	1	
11	330-00410	FITTING	1	
12	330-00102	FEMALE PIPE ELBOW	1	
13	098-01690	CONNECTOR NPT TO HOSE	1	
14	330-00004	PIPE NIPPLE	1	

**WIPER ASSEMBLY
(098-15202)**



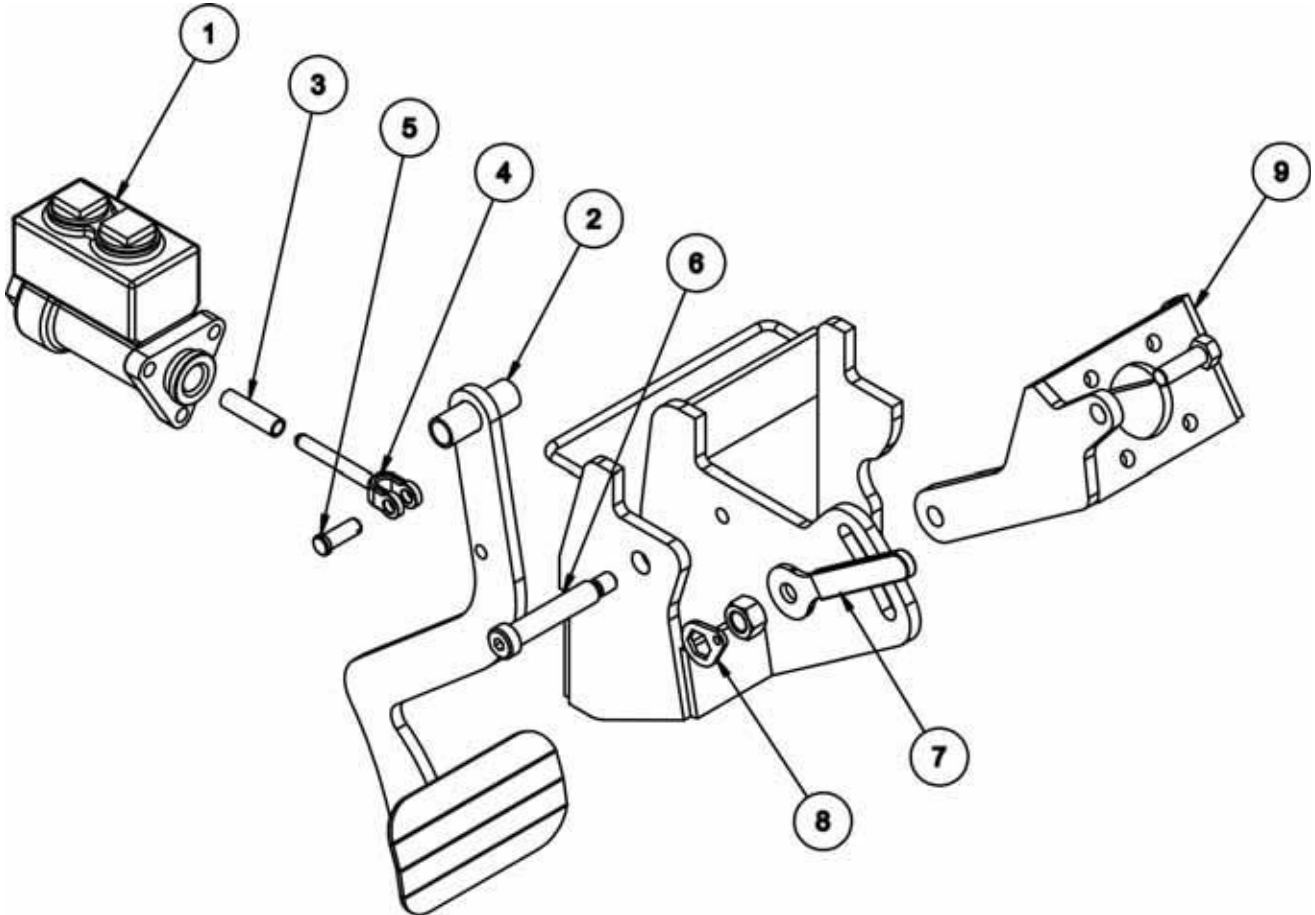


Bullet B260-H-F77B; B260-H-F81B & B260-H-F91B

**WIPER ASSEMBLY
(098-15202)**

ITEM	PART	DESCRIPTION	QTY	MODEL Or SERIAL #
1	098-01685	WIPER MOTOR WITH 2" PIVOT SHAFT	1	
2	098-00713	WIPER ARM	1	
3	098-00712	WIPER BLADE	1	

**SERVICE BRAKE CONTROL ASSEMBLY
(098-15222)**



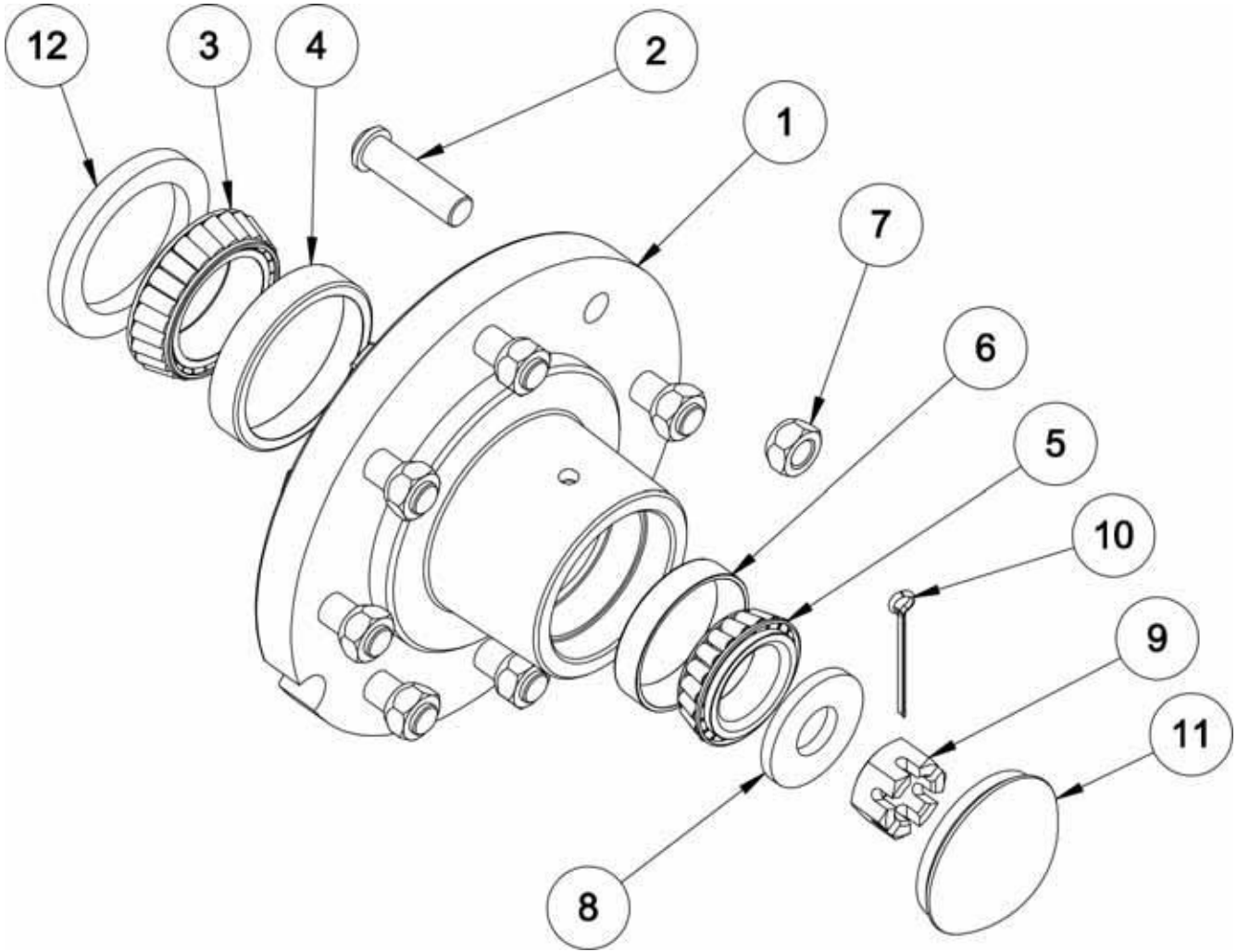


Inc. *Bullet B260-H-F77B; B260-H-F81B & B260-H-F91B*

**SERVICE BRAKE CONTROL ASSEMBLY
(098-15222)**

ITEM	PART NUMBER	DESCRIPTION	QTY	MODEL Or SERIAL #
1	098-00204	MASTER CYLINDER	1	
2	098-15221	BRAKE PEDAL WELDMENT	1	
3	090-00047	SPRING	1	
4	098-00926	BRAKE ACTUATOR CLEVIS	1	
5	REF.	CLEVIS PIN (INCLUDED WITH CLEVIS)	1	
6	098-01687	SCREW HEX SOCKET SHOULDER	1	
7	098-01748	TILT STEERING LOCKING ARM	1	
8	210-00475	TILT STEERING LOCK FOR NUT	1	
9	098-15201	TILT STEERING SUPPORT WELDMENT	1	

**WHEEL HUB ASSEMBLY
(098-00427A)**





Bullet B260-H-F77B; B260-H-F81B & B260-H-F91B

**WHEEL HUB ASSEMBLY
(098-00427A)**

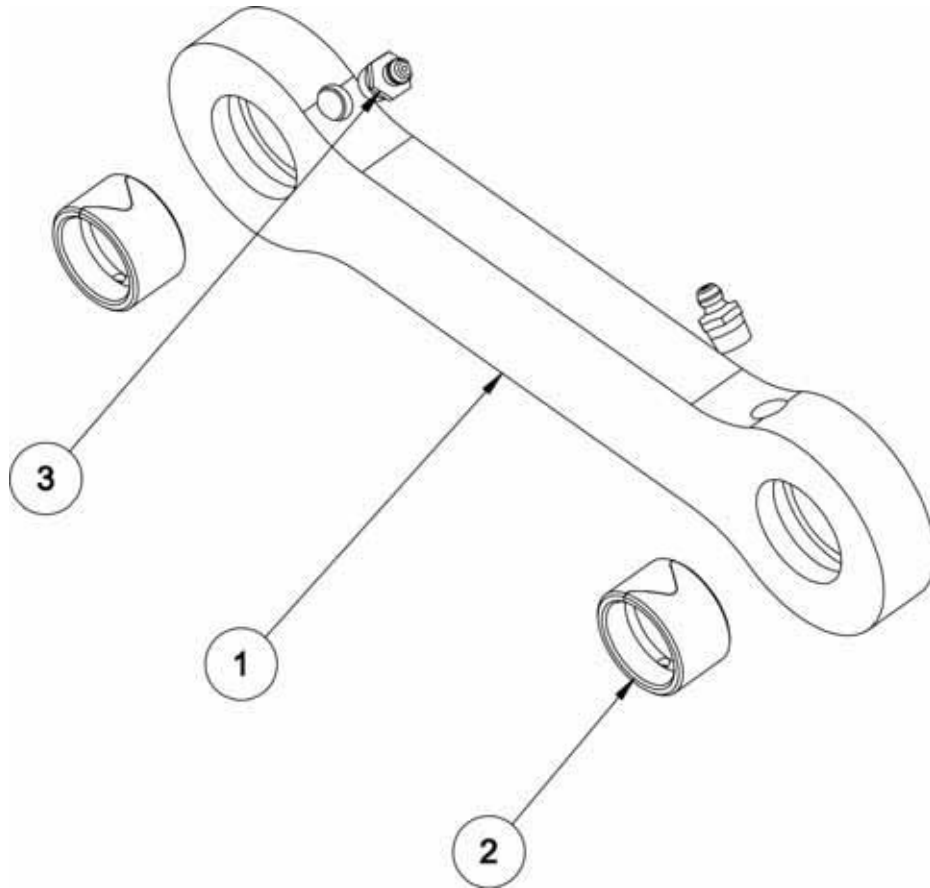
ITEM	PART NUMBER	DESCRIPTION	QTY	MODEL Or SERIAL #
1	098-00427	*WHEEL HUB	1	
2	098-00429	STUD	8	
3	098-00436	INNER CONE BEARING	1	
4	098-00439	INNER CUP BEARING	1	
5	098-00435	OUTER CONE BEARING	1	
6	098-00438	OUTER CUP BEARING	1	
7	098-00430	WHEEL LUG NUT	8	
8	098-00864	SPECIAL WASHER	1	
9	098-00433	CASTLE NUT	1	
10	210-00422	COTTER PIN	1	
11	098-00432	HUB CAP	1	
12	098-00437	HUB SEAL	1	

NOTE: * 098-00427 IS NOT SOLD SEPARATELY (ORDER # 098-00427A)



Bullet B260-H-F77B; B260-H-F81B & B260-H-F91B

**CONNECTING LINK ASSEMBLY
(098-15320)**



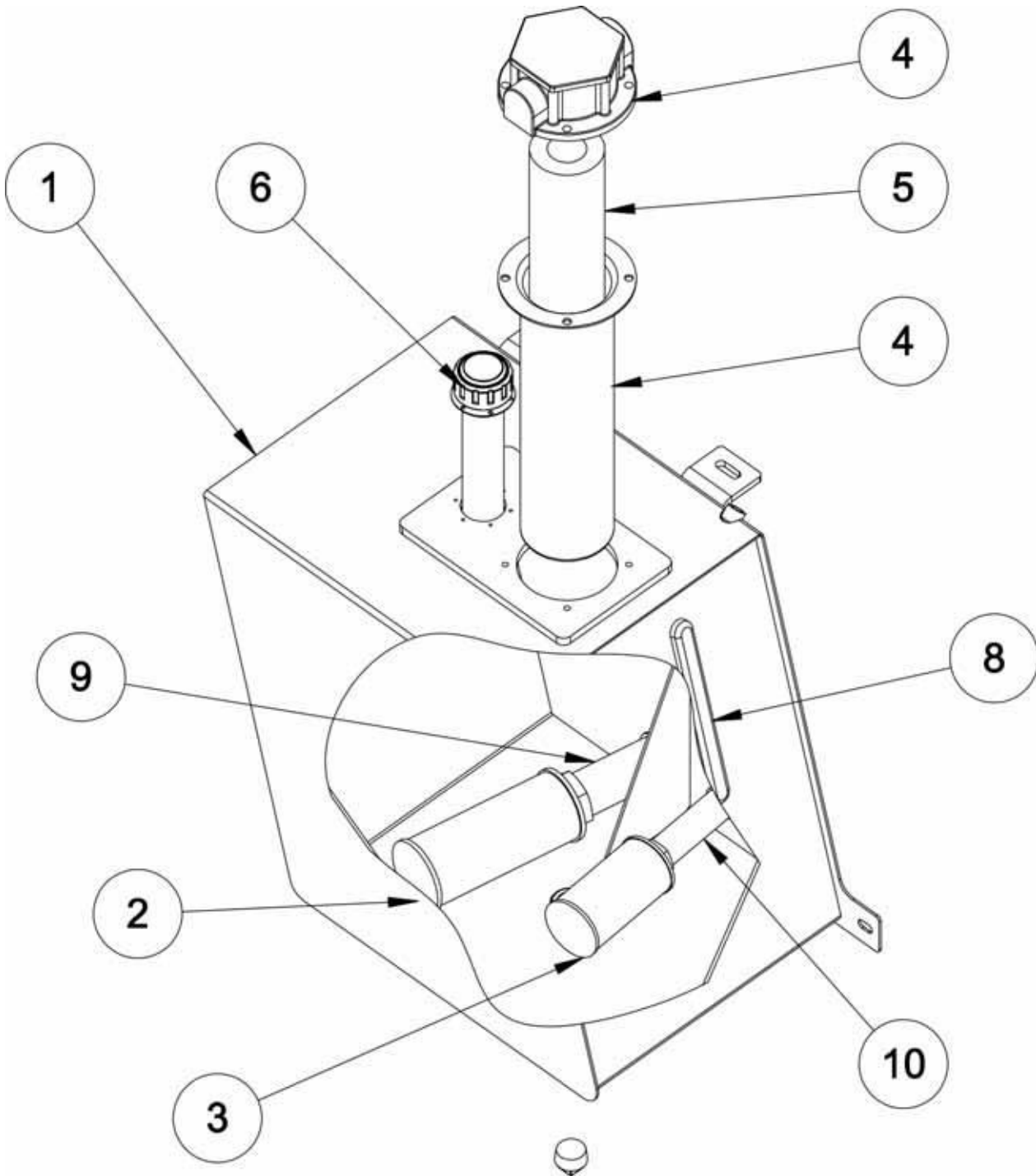


Bullet B260-H-F77B; B260-H-F81B & B260-H-F91B

**CONNECTING LINK ASSEMBLY
(098-15320)**

ITEM	PART NUMBER	DESCRIPTION	QTY	MODEL Or SERIAL #
1	098-01480	STEERING CONNECTING LINK	1	
2	030-00096	SPRING BUSHING WITH ID GROOVE	2	
3	210-00663	GREASE FITTING 1/8 NPT "ALEMITE" 1610-BL	2	

HYDRAULIC TANK ASSEMBLY





Bullet B260-H-F77B; B260-H-F81B & B260-H-F91B

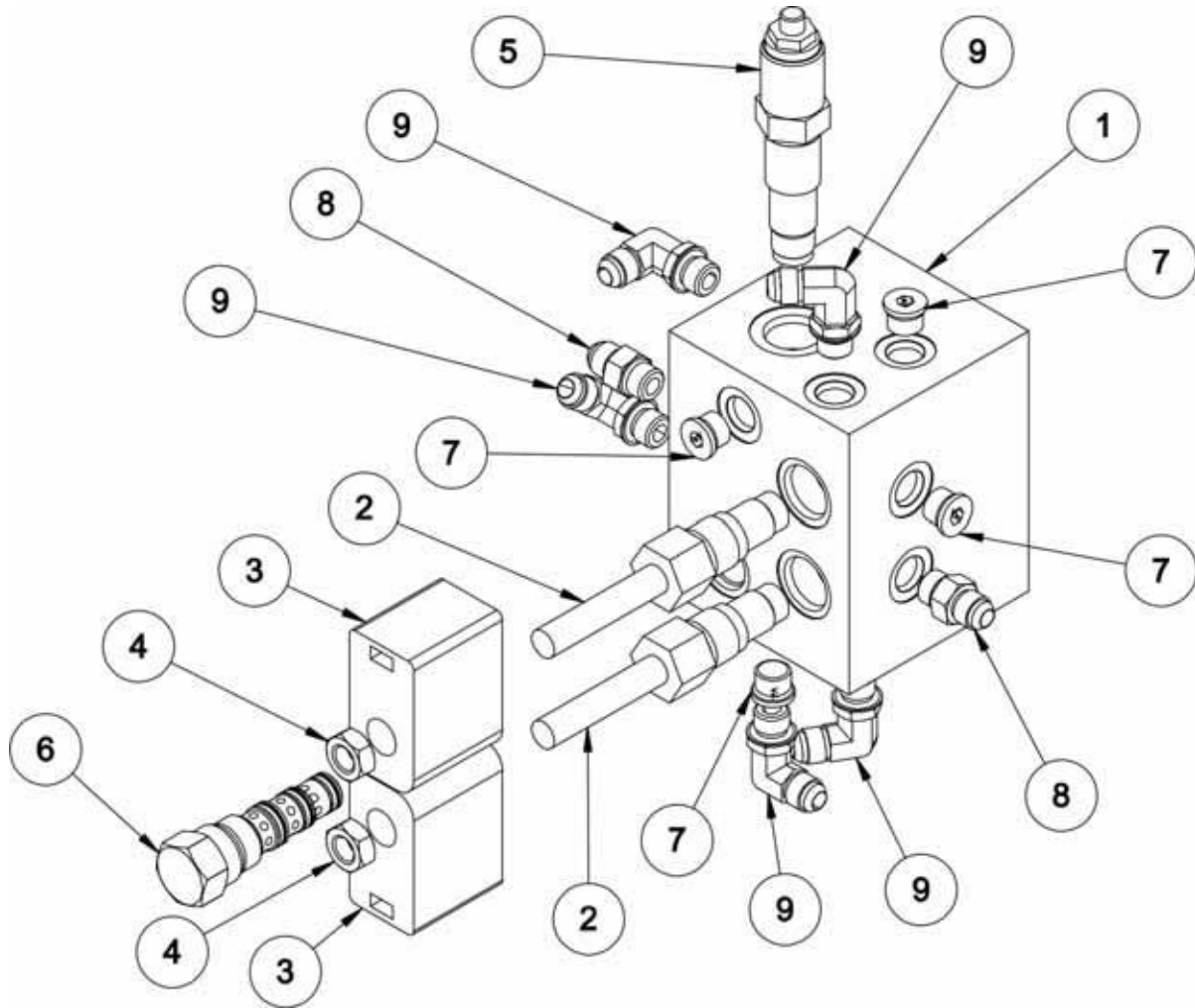
HYDRAULIC TANK ASSEMBLY

ITEM	PART NUMBER	DESCRIPTION	QTY	MODEL Or SERIAL #
1	098-15512	HYDRAULIC TANK (81" & 91" BULLET)	1	
	098-15516	HYDRAULIC TANK (77" BULLET)	1	
2	230-00055	SUMP FILTER	1	
3	230-00056	SUCTION STRAINER	1	
4	098-01529	RETURN FILTER HEAD ASSEMBLY	1	
5	098-01530	FILTER ELEMENT	1	
6	350-00001	FILLER BREATHER	1	
7	510-00218	MAGNETIC PLUG "MSC"	1	
8	290-00019	SIGHT GAUGE (HYD.)	1	
9	510-00221	NIPPLE	1	
10	510-00222	NIPPLE	1	

*****NEW HOLLAND AXLE*****

CONTROL BLOCK ASSEMBLY

* (098-15515)





Bullet B260-H-F77B; B260-H-F81B & B260-H-F91B

*****NEW HOLLAND AXLE*****
CONTROL BLOCK ASSEMBLY
 * (098-15515)

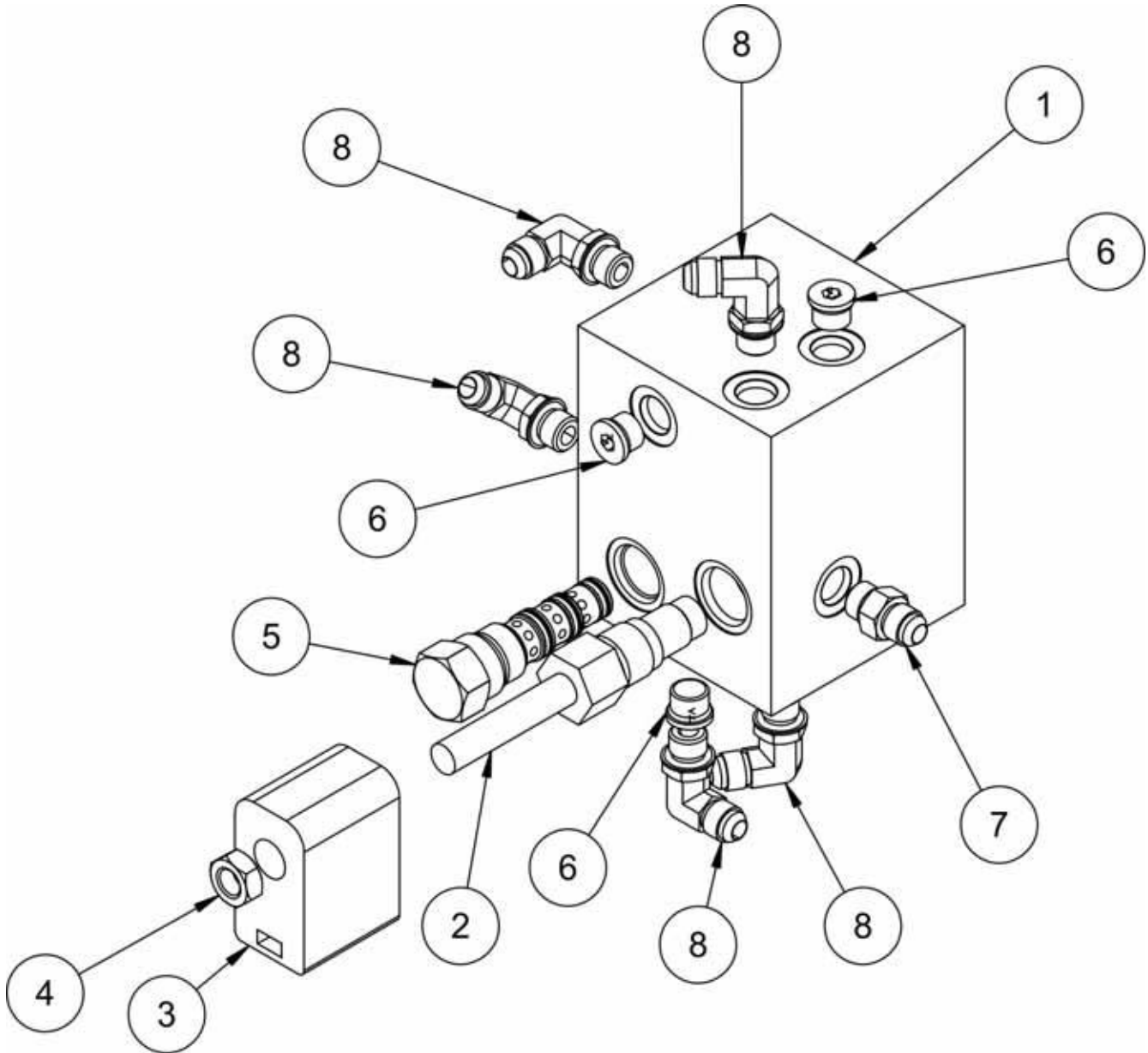
ITEM	PART NUMBER	DESCRIPTION	QTY	MODEL Or SERIAL #
1	098-01767	ALUMINUM CONTROL BLOCK	1	
2	097-20328	CARTRIDGE VALVE	2	
3	097-20329	COIL FOR CARTRIDGE VALVE	2	
4	REF	HEX JAM NUT NC	2	
5	098-01640	PRESSURE REGULATING VALVE	1	
6	098-01766	DIVERTER VALVE	1	
7	330-00669	SAE# 6 PLUG	4	
8	330-00043	FITTING	2	
9	330-00114	FITTING	5	



DANA DRIVE AXLE

CONTROL BLOCK ASSEMBLY

* (098-15548)





Bullet B260-H-F77B; B260-H-F81B & B260-H-F91B

*****DANA DRIVE AXLE*****

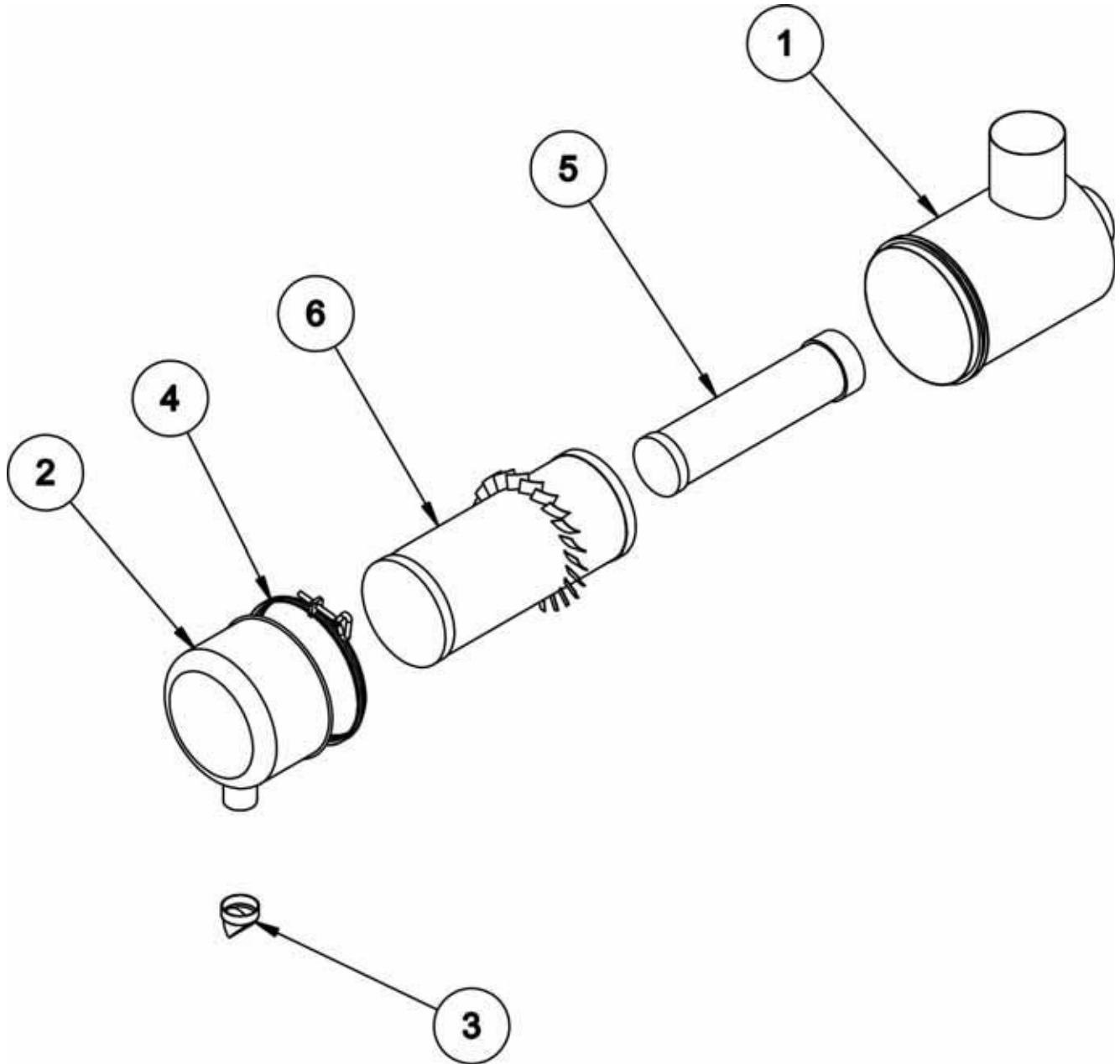


CONTROL BLOCK ASSEMBLY

*** (098-15548)**

ITEM	PART NUMBER	DESCRIPTION	QTY	MODEL Or SERIAL #
1	098-01797	ALUMINUM CONTROL BLOCK	1	
2	097-20328	CARTRIDGE VALVE	1	
3	097-20329	COIL FOR CARTRIDGE VALVE	1	
4	REF	HEX JAM NUT NC (1/2")	1	
5	098-01766	DIVERTER VALVE	1	
6	330-00669	SAE# 6 PLUG	3	
7	330-00043	FITTING	1	
8	330-00114	FITTING	5	

**AIR CLEANER ASSEMBLY
(098-01532)**



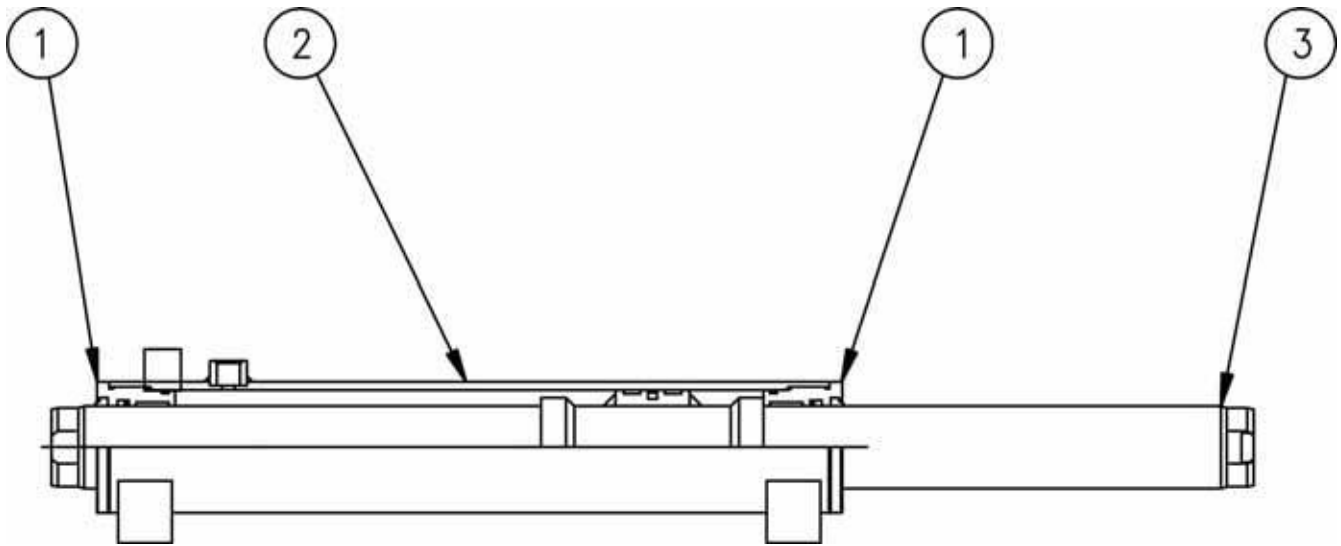


Bullet B260-H-F77B; B260-H-F81B & B260-H-F91B

**AIR CLEANER ASSEMBLY
(098-01532)**

ITEM	PART NUMBER	DESCRIPTION	QTY	MODEL Or SERIAL #
1	REF	AIR CLEANER BODY	1	
2	098-01756	AIR CLEANER COVER	1	
3	098-01754	VACUATOR VALVE	1	
4	098-01755	BODY CLAMP	1	
5	098-01696	SAFETY FILTER (INNER)	1	
6	098-01695	PRIMARY FILTER (OUTER)	1	

**STEERING CYLINDER
(098-00418)**





Bullet B260-H-F77B; B260-H-F81B & B260-H-F91B

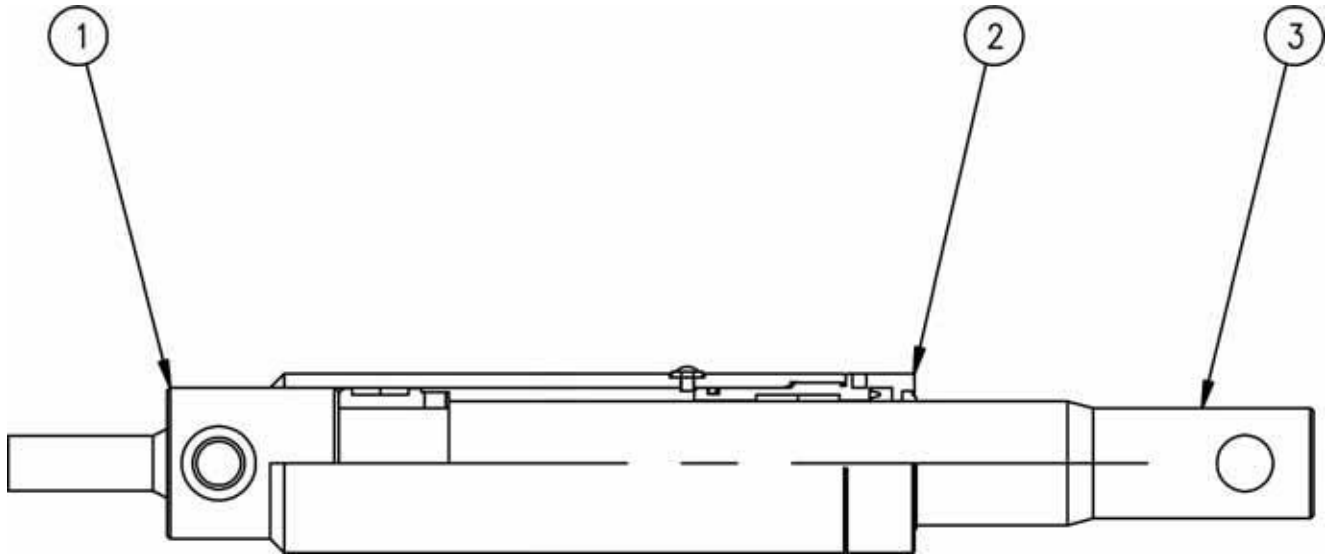
**STEERING CYLINDER
(098-00418)**

ITEM	PART NUMBER	DESCRIPTION	QTY	MODEL Or SERIAL #
1	098-00418.01	HEAD	2	
2	098-00418.02	TUBE	1	
3	098-00418.03	ROD	1	
4	098-00803	SEAL KIT	1	



Bullet B260-H-F77B; B260-H-F81B & B260-H-F91B

**LIFT CYLINDER (2 STAGE MAST)
(098-00386)**





Bullet B260-H-F77B; B260-H-F81B & B260-H-F91B

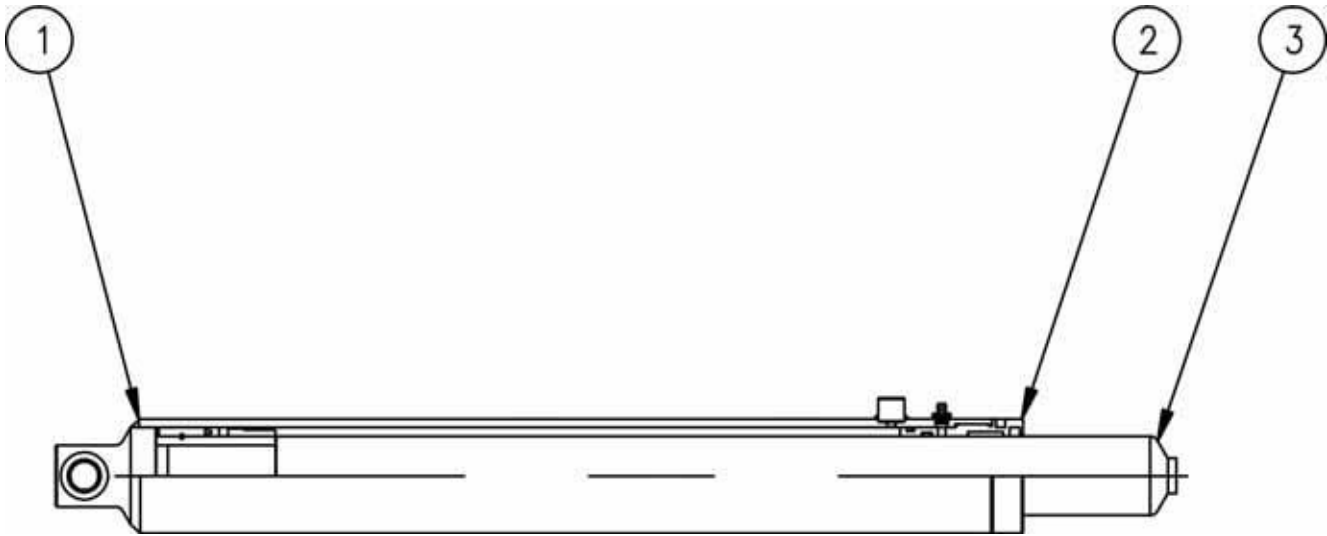
**LIFT CYLINDER (2 STAGE MAST)
(098-00386)**

ITEM	PART NUMBER	DESCRIPTION	QTY	MODEL Or SERIAL #
1	098-00386.01	TUBE	1	
2	098-00386.02	HEAD	1	
3	098-00386.03	ROD	1	
4	098-00815	SEAL KIT	1	



Bullet B260-H-F77B; B260-H-F81B & B260-H-F91B

**LIFT CYLINDER (3 STAGE MAST)
(170-00028)**



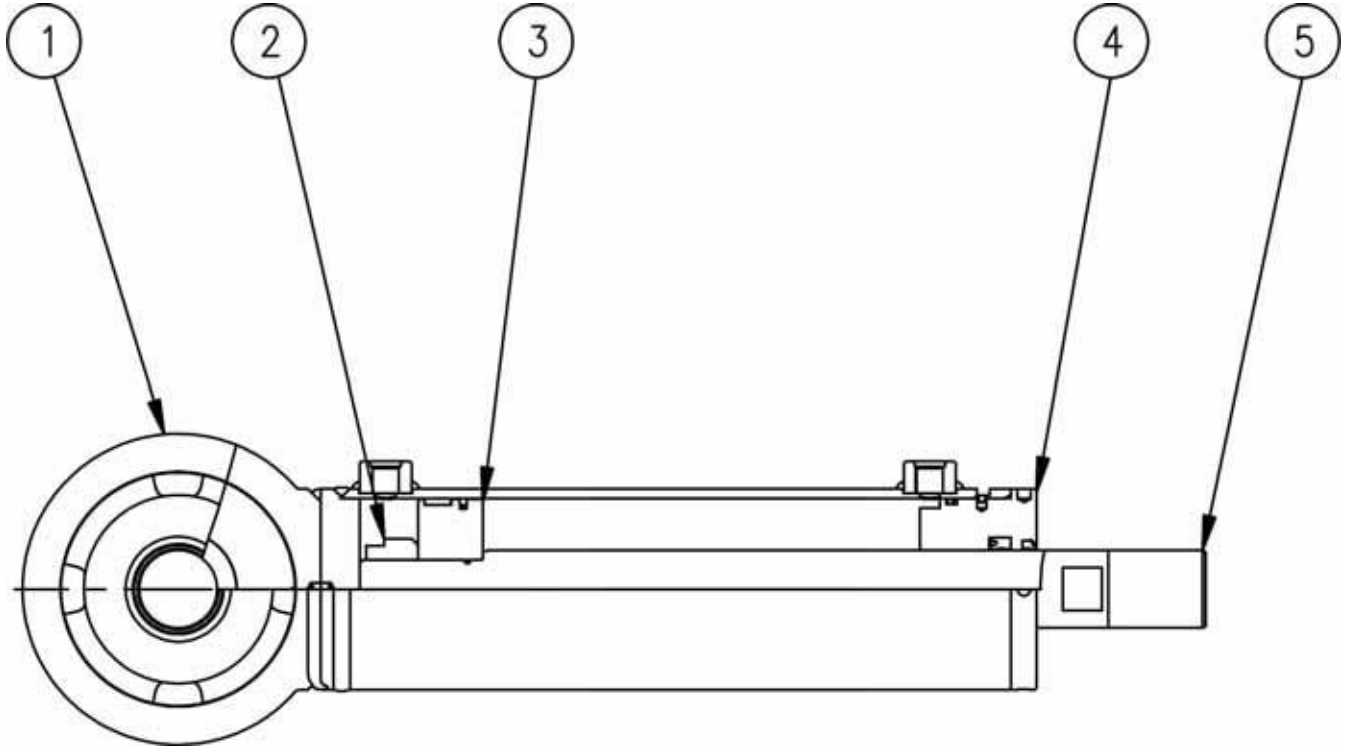


Bullet B260-H-F77B; B260-H-F81B & B260-H-F91B

**LIFT CYLINDER (3 STAGE MAST)
(170-00028)**

ITEM	PART NUMBER	DESCRIPTION	QTY	MODEL Or SERIAL #
1	170-00028.01	TUBE	1	
2	170-00028.02	HEAD	1	
3	170-00028.03	ROD	1	
4	630-00056	SEAL KIT	1	

**TILT CYLINDER
(098-00583)**



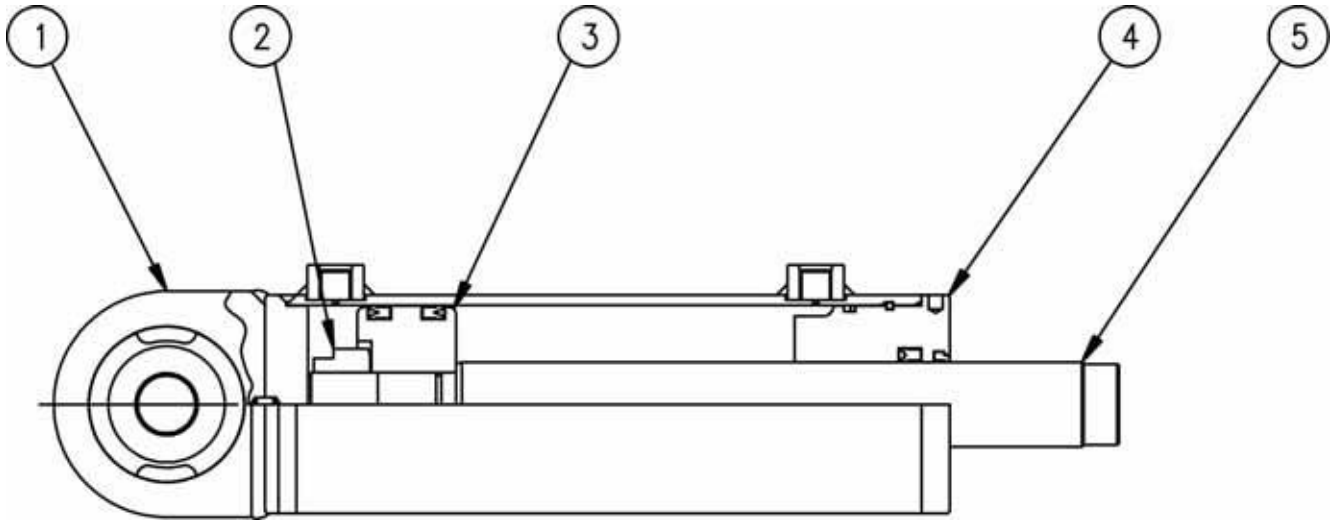


Bullet B260-H-F77B; B260-H-F81B & B260-H-F91B

**TILT CYLINDER
(098-00583)**

ITEM	PART NUMBER	DESCRIPTION	QTY	MODEL Or SERIAL #
1	098-00583.01	TUBE	1	
2	098-00583.02	NUT	1	
3	098-00583.03	PISTON	1	
4	098-00583.04	HEAD	1	
5	098-00583.05	ROD	1	
6	098-00807	SEAL KIT	1	

**SIDESHIFT CYLINDER
(098-00567)**





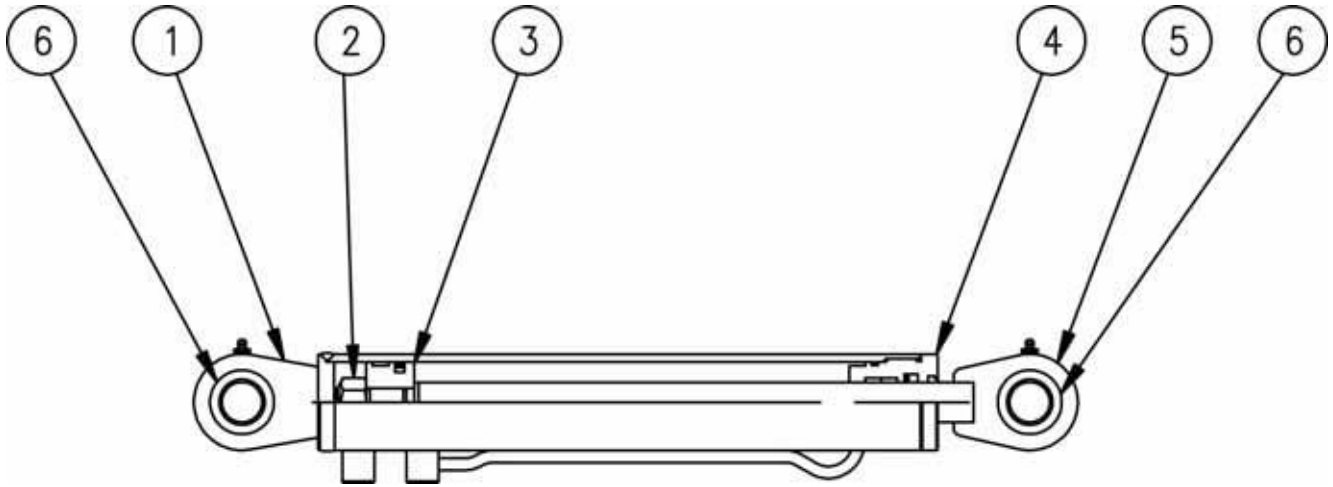
SIDESHIFT CYLINDER (098-00567)

Bullet B260-H-F77B; B260-H-F81B & B260-H-F91B

SIDESHIFT CYLINDER (098-00567)

ITEM	PART NUMBER	DESCRIPTION	QTY	MODEL Or SERIAL #
1	098-00567.01	TUBE	1	
2	098-00567.02	NUT	1	
3	098-00567.03	PISTON	1	
4	098-00567.04	HEAD	1	
5	098-00567.05	ROD	1	
6	098-00576	SEAL KIT	1	

**ROTATOR CYLINDER
(098-00596)**





Bullet B260-H-F77B; B260-H-F81B & B260-H-F91B

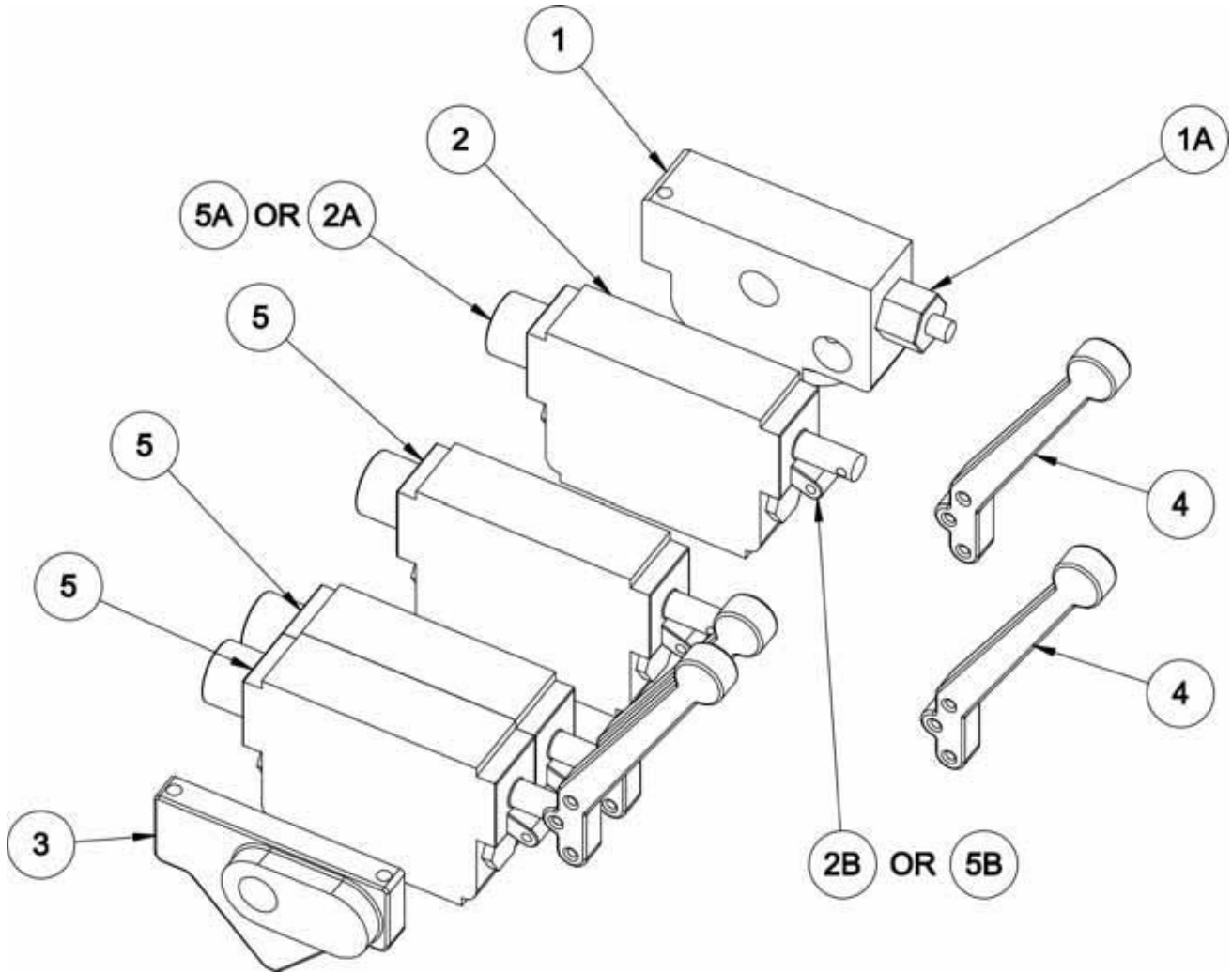
**ROTATOR CYLINDER
FOR 81" & 91" BULLET (098-01596)**

ITEM	PART NUMBER	DESCRIPTION	QTY	MODEL Or SERIAL #
1	098-01596.01	TUBE	1	
2	098-01596.02	NUT	1	
3	098-01596.03	PISTON	1	
4	098-01596.04	HEAD	1	
5	098-01596.05	ROD	1	
6	098-01596.06	SPHERICAL BEARING	2	
7	098-01596.07	SEAL KIT	1	

**ROTATOR CYLINDER
FOR 77" BULLET (170-00014)**

ITEM	PART NUMBER	DESCRIPTION	QTY	MODEL Or SERIAL #
1	170-00014.01	TUBE	1	
2	170-00014.02	NUT	1	
3	170-00014.03	PISTON	1	
4	170-00014.04	HEAD	1	
5	170-00014.05	ROD	1	
6	N/A			
7	630-00021	SEAL KIT	1	

3 OR 4 SECTION VALVE ASSEMBLY





Bullet B260-H-F77B; B260-H-F81B & B260-H-F91B

3 OR 4 SECTION VALVE ASSEMBLY

ITEM	PART NUMBER	DESCRIPTION	QTY	MODEL Or SERIAL #
1	REF	INLET COVER	1	
1A	RP51A-3000	MAIN RELIEF VALVE	1	
2	810-00014	SINGLE ACTING WORK SECTION	1	
2A	810-00128	END CAP	3 OR 4	
2B	810-00062	HANDLE BRACKET	3 OR 4	
3	REF	OUTLET COVER	1	
4	810-00004	HANDLE KIT (INCLUDES LINK AND PIN)	3 OR 4	
5	810-00013	DOUBLE ACTING WORK SECTION	2 OR 3	
6	630-00018	SEAL KIT BETWEEN SECTIONS (NOT SHOWN)	4 OR 5	



Bullet B260-H-F77B; B260-H-F81B & B260-H-F91B

FLUID CAPACITIES

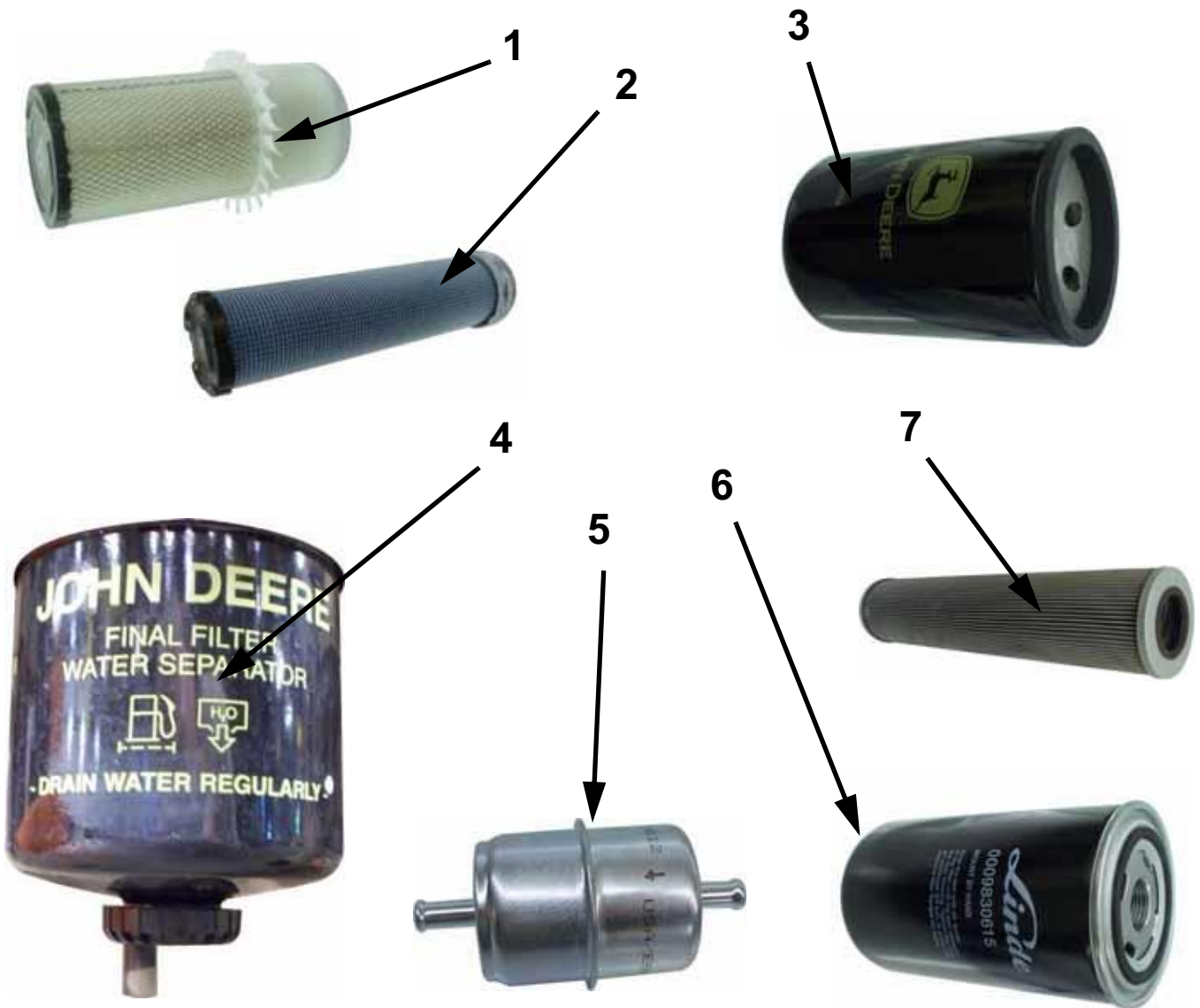
	CAPACITY	FLUID USED
Crankcase	14 Quarts 15 QUARTS	<ul style="list-style-type: none"> * John Deere TORQ-GARD * John Deere UNI-GARD with filter * API Service Classification CG-4 * API Service Classification CF-4 * ACEA Specification E3 * ACEA Specification E2 * CCHC Specification D5 * CCHC Specification D4
Hydraulic Oil	38 Gallons	Chevron ISO-46
Fuel Tank	38 Gallons	Grade No. 1-0 or No. 2-0 fuel, as defined by ASTH Designation 0975 for diesel fuels.
New Holland Drive Axle	20 Quarts	Specification ESN-M2C134-C
Dana Drive Axle	As Required	Chevron Ls 80w90 Gear Lub.
Cooling System	4 Gallons	2 Gallons Clean Water & 2 Gallons Antifreeze



Bullet B260-H-F77B; B260-H-F81B & B260-H-F91B

BRIGHT'S PARTS NUMBERS FOR FILTER

ITEM	PART NUMBER	DESCRIPTION	QTY	MODEL Or SERIAL #
1	098-01695	PRIMARY FILTER (OUTER)	1	
2	098-01696	SAFETY FILTER (INNER)	1	
3	099-00281	ENGINE OIL FILTER	1	
4	098-01761	ENGINE FUEL FILTER	1	
5	098-01256	IN-LINE FUEL STRAINER	1	
6	230-00045	PRESSURE FILTER FOR HYDROSTATIC PUMP	1	
7	098-01530	HYDRAULIC RETURN FILTER ELEMENT	1	





Bullet B260-H-F77B; B260-H-F81B & B260-H-F91B



Bullet B260-H-F77B; B260-H-F81B & B260-H-F91B

Section 11

SCHEMATICS

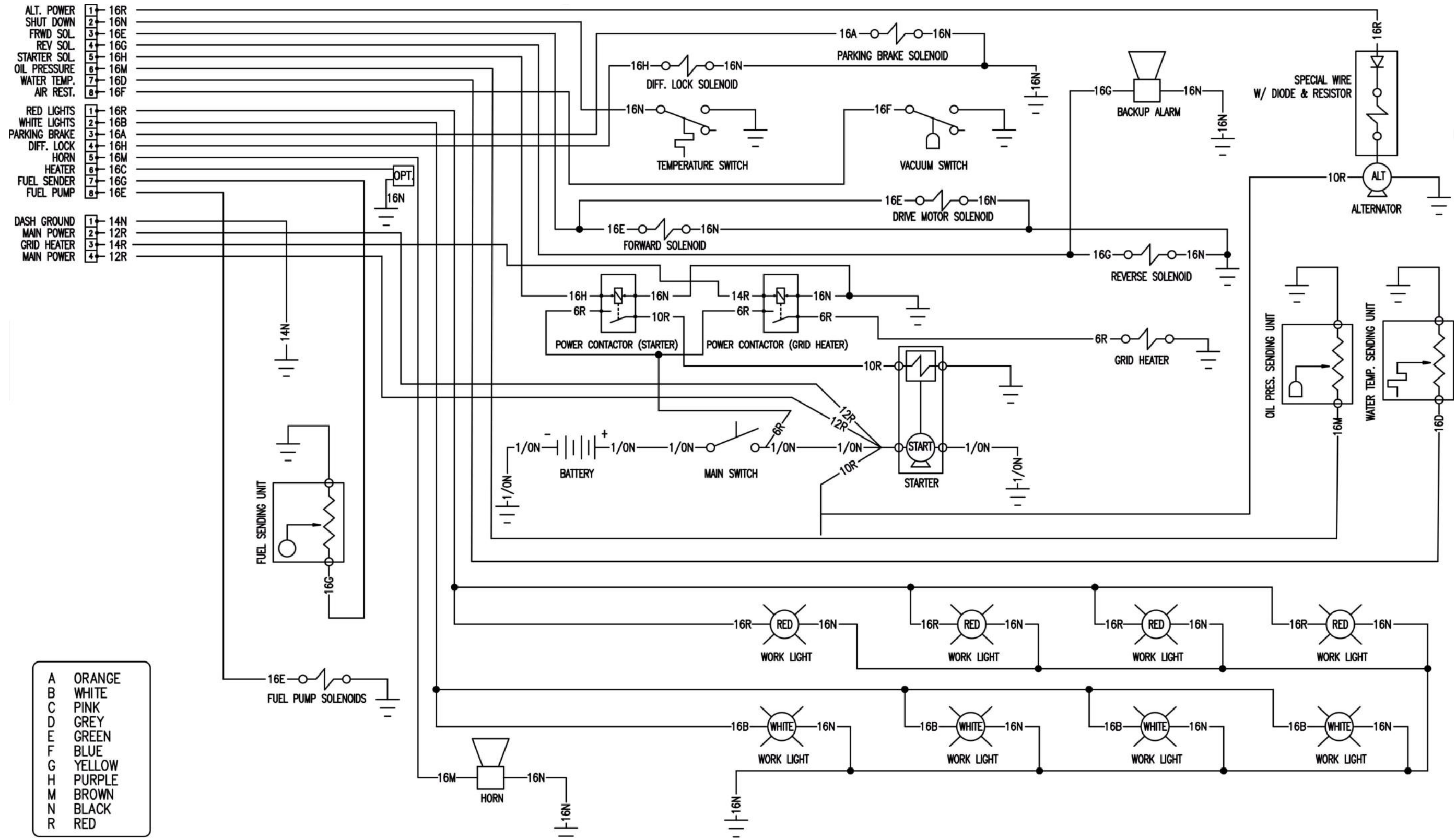
Contents

ELECTRICAL SCHEMATIC TRUCK 77" & 81" FIELD LOADER ----	3
ELECTRICAL SCHEMATIC TRUCK 91" BACK DOCK) -----	5
ELECTRICAL SCHEMATIC DASH 77" & 81" FIELD LOADER ----	7
ELECTRICAL SCHEMATIC DASH 91" BACK DOCK -----	9
HYDRAULIC SCHEMATIC EXCLUDING TRACTION -----	11
HYDRAULIC SCHEMATIC FOR TRACTION -----	13



Bullet B260-H-F77B; B260-H-F81B & B260-H-F91B

ELECTRICAL SCHEMATIC TRUCK 77" & 81" FIELD LOADER

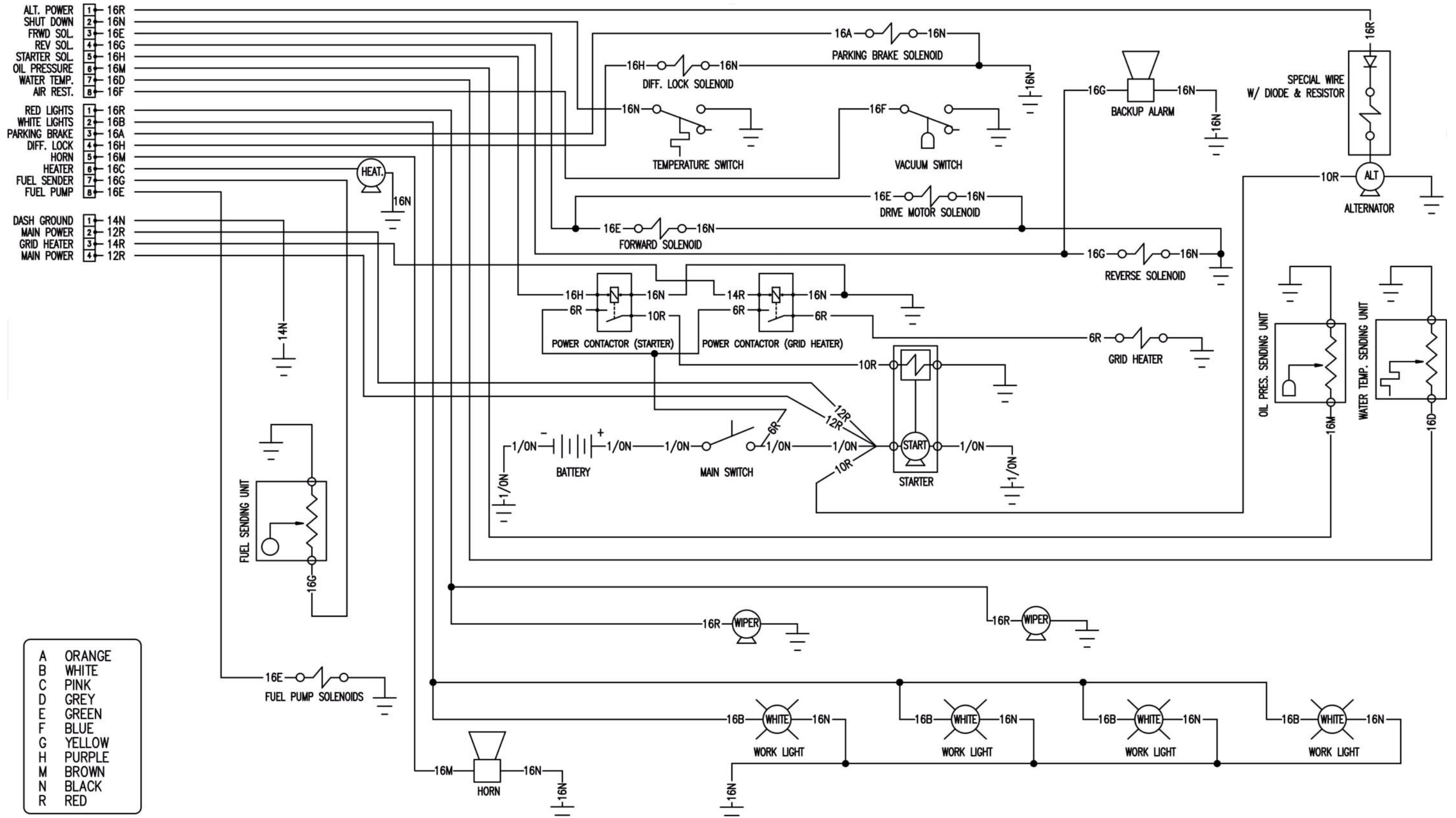




ELECTRICAL SCHEMATIC TRUCK 91" BACK DOCK

BLANK PAGE

ELECTRICAL SCHEMATIC TRUCK 91" BACK DOCK



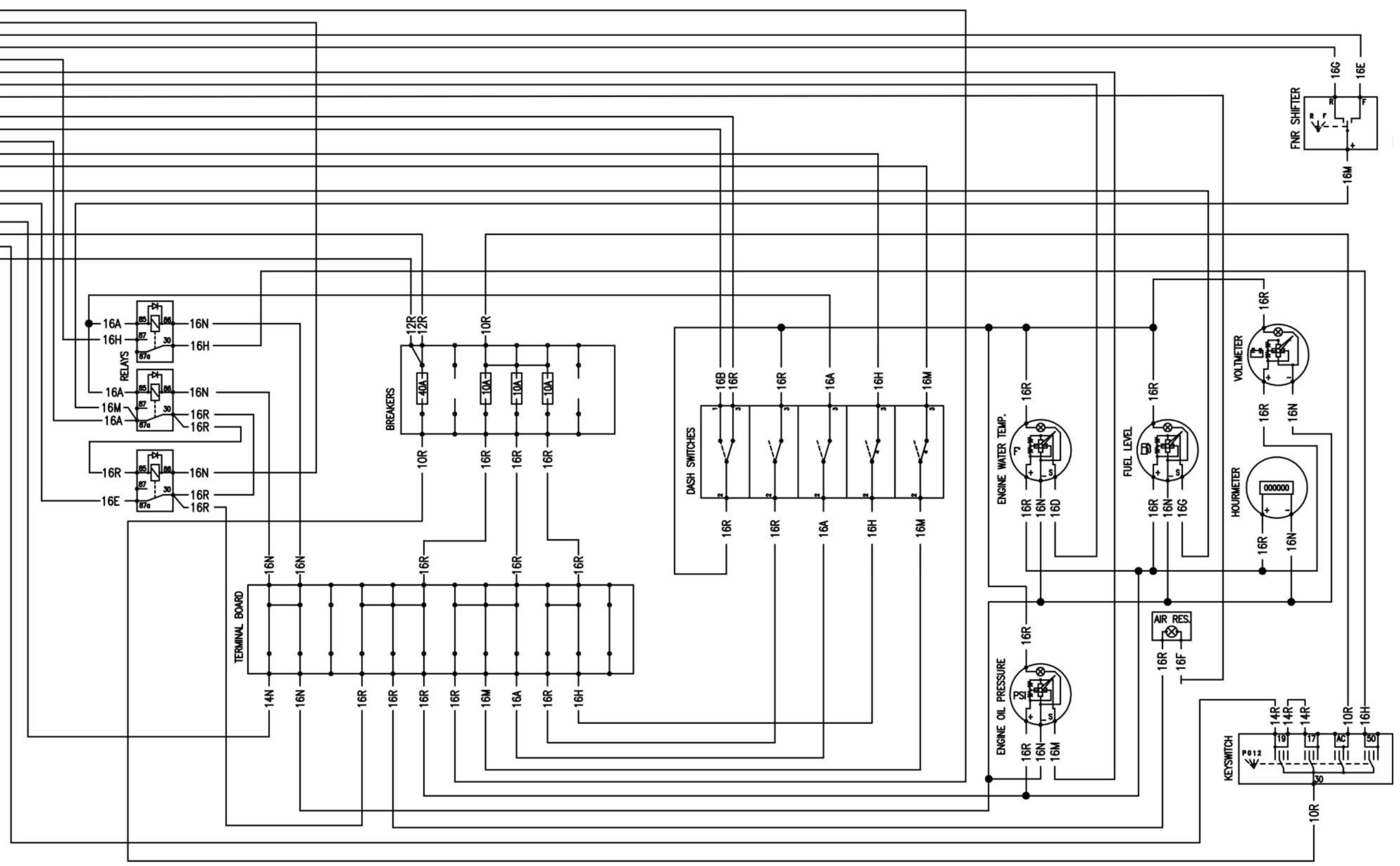


BLANK PAGE

ELECTRICAL SCHEMATIC DASH 77" & 81" FIELD LOADER

- 1 16R ALT. POWER
- 2 16N SHUT DOWN
- 3 16E FWRD SOL.
- 4 16G REV SOL.
- 5 16H STARTER SOL.
- 6 16M OIL PRESSURE
- 7 16D WATER TEMP.
- 8 16F AIR REST.
- 1 16R RED LIGHTS
- 2 16B WHITE LIGHTS
- 3 16A PARKING BRAKE
- 4 16H DIFF. LOCK
- 5 16M HORN
- 7 16G FUEL SEND.
- 8 16E FUEL PUMP
- 1 14N DASH GROUND
- 2 12R MAIN POWER
- 3 14R GRID HEATER
- 4 12R MAIN POWER

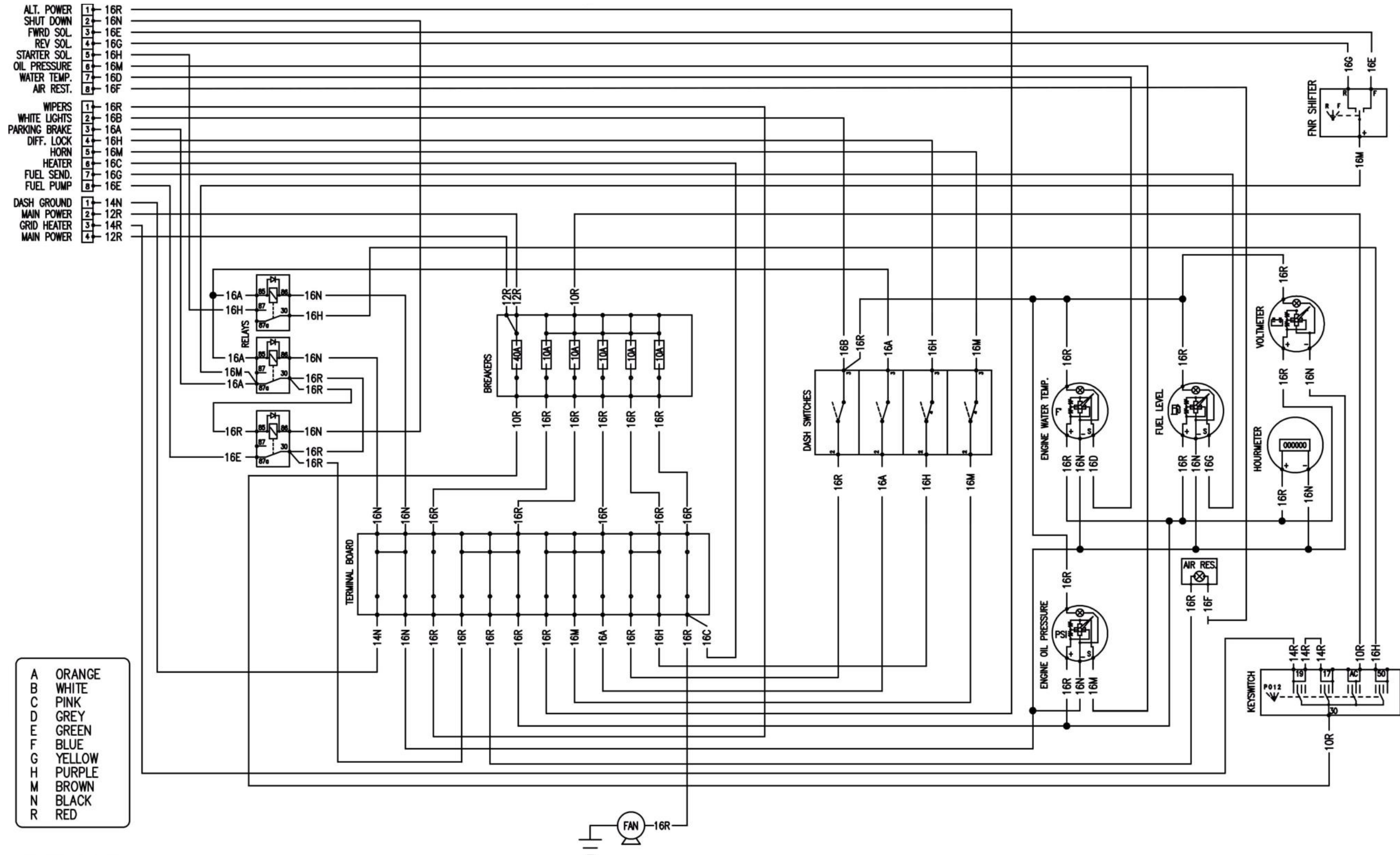
- | | |
|---|--------|
| A | ORANGE |
| B | WHITE |
| C | PINK |
| D | GREY |
| E | GREEN |
| F | BLUE |
| G | YELLOW |
| H | PURPLE |
| M | BROWN |
| N | BLACK |
| R | RED |





BLANK PAGE

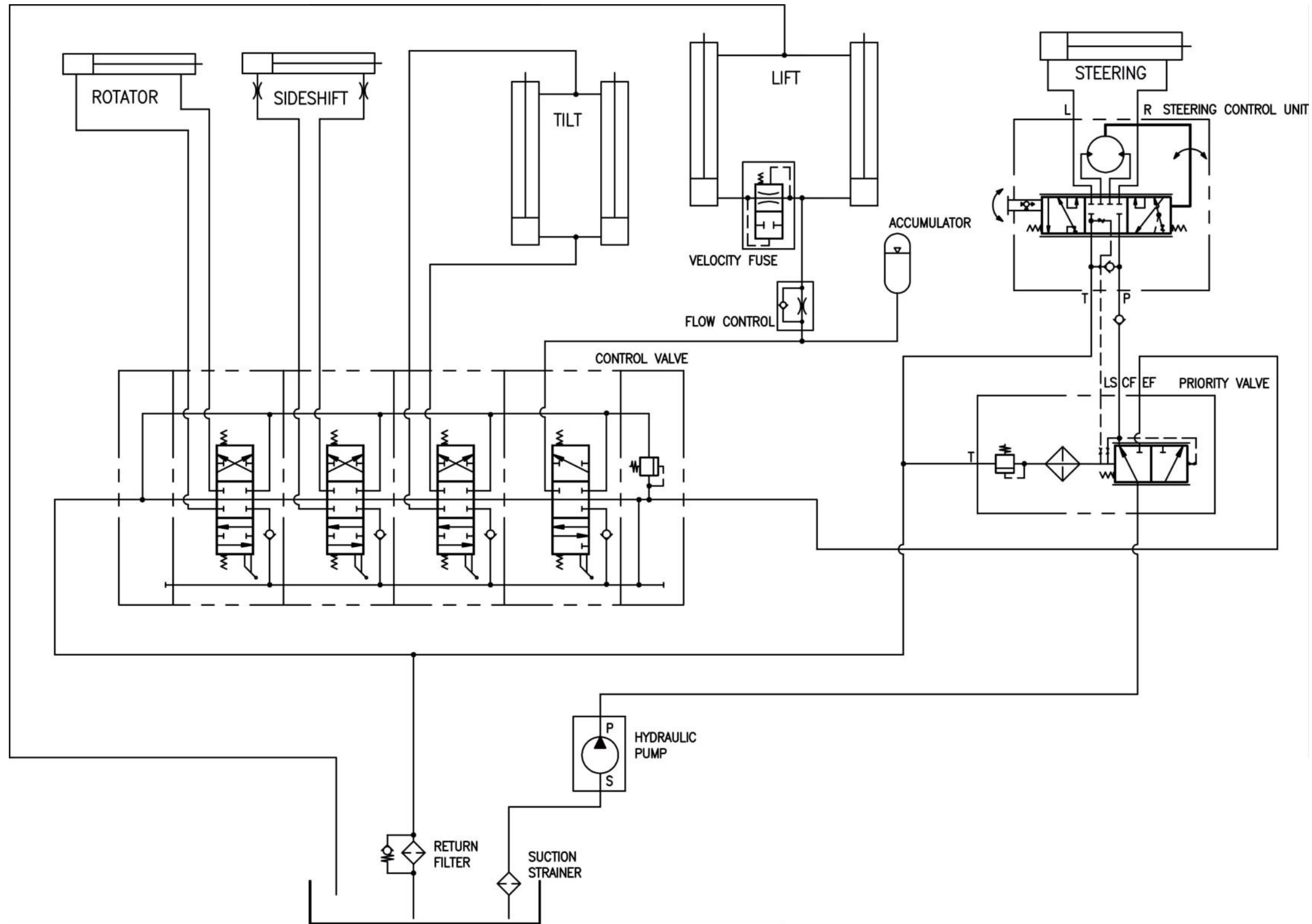
ELECTRICAL SCHEMATIC DASH 91" BACK DOCK





BLANK PAGE

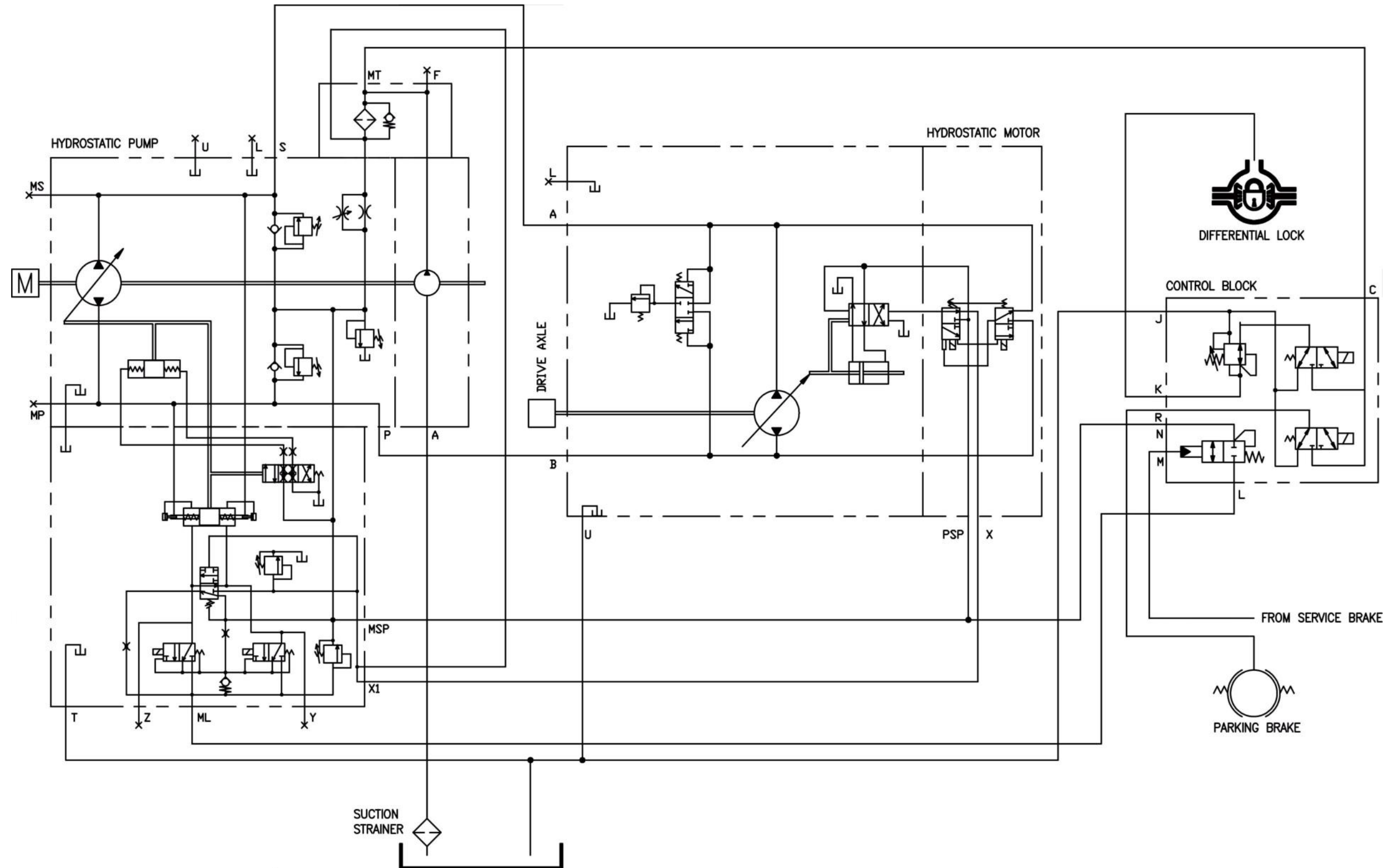
HYDRAULIC SCHEMATIC EXCLUDING TRACTION





BLANK PAGE

HYDRAULIC SCHEMATIC FOR TRACTION





BLANK PAGE



Bullet B260-H-F77B; B260-H-F81B & B260-H-F91B

Section 12

JD Tier III Turbo Diesel Engine

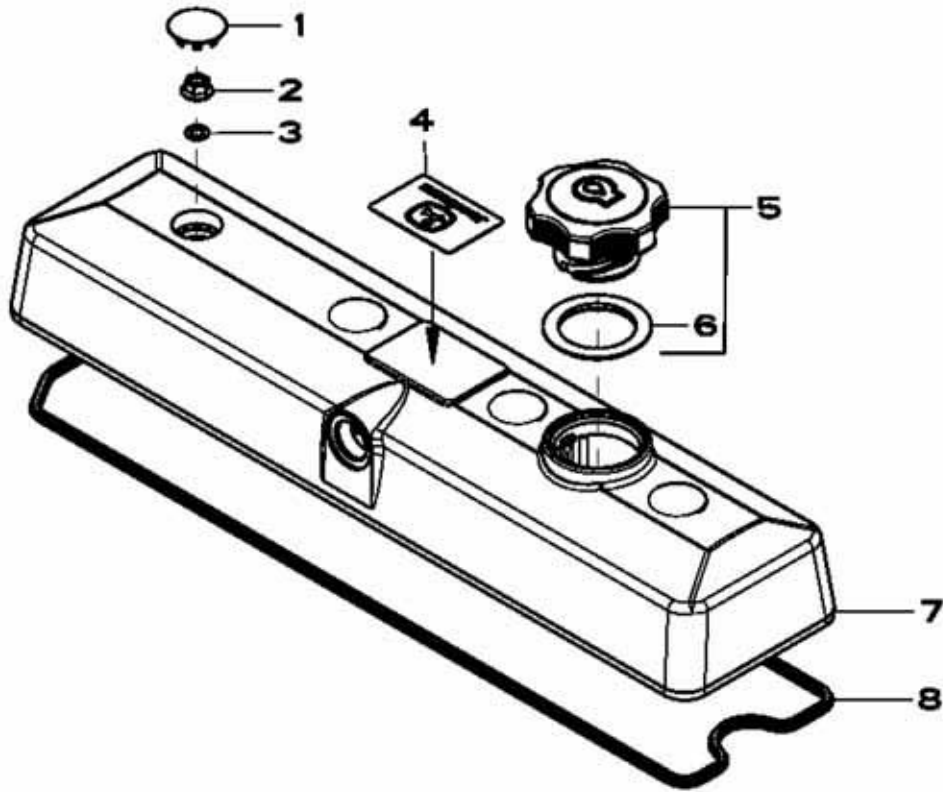
Model: 4045TF280

Contents

VALVE COVER	2-3
OIL FILLER WITH OUT NECK	4-5
CRANKSHAFT PULLEY	6-7
FLYWHEEL HOUSING	8-9
FLYWHEEL	10-11
FUEL INJECTION PUMP	12-13
FUEL INJECTION PUMP	14-15
INTAKE MANIFOLD	16-17
OIL PAN	18-19
WATER PUMP PULLEY	20-21
THERMOSTAT COVER	22-23
THERMOSTAT	24-25
FAN DRIVE	26-27
FAN BELT	28-29
ENGINE COOLANT HEATER	30-31
EXHAUST MANIFOLD	32-33
VENTILATING SYSTEM	34-35
STARTING MOTOR	36-37
ALTERNATOR	38-39
FINAL FUEL FILTER	40-41
FRONT PLATE AND IDLE GEARS (UPPER & LOWER)	42-43
FUEL TRANSFER PUMP	44-45
ENGINE OIL DIPSTICK	46-47
STARTING AID	48-49
TIMING GEAR COVER	50-51
BALANCER SHAFT	52-53
CYLINDER BLOCK	54-55
CRANKSHAFT AND BEARINGS	56-57
CONNECTING RODS AND PISTONS	58-59
ROCKER ARM, SHAFT, TAPPET, PUSH ROD	60-61
OIL PUMP	62-63
CYLINDER HEAD	64-65
AUXILIARY DRIVE	66-67
WATER PUMP INLET	68-69
OIL COOLER	70-71
ALTERNATOR BRACKETS	72-73
TURBOCHARGER	74-75
FAN PULLEY	76-77
BELT TENSIONER	78-79
OIL FILTER	80-81
PISTON AND LINER-KIT	82-83
SHORT BLOCK ASSEMBLY	84-85
ENGINE OVERHAUL KIT	86-87
ENGINE GASKET KIT	88-89
GASKET KIT-CYLINDER HEAD AND OIL PAN	90-91
GASKET KIT-CYLINDER HEAD	92-93
SCREW-CYLINDER HEAD	94-95
MISCELLANEOUS NOTES	96



VALVE COVER





Bullet B260-H-F77B; B260-H-F81B & B260-H-F91B

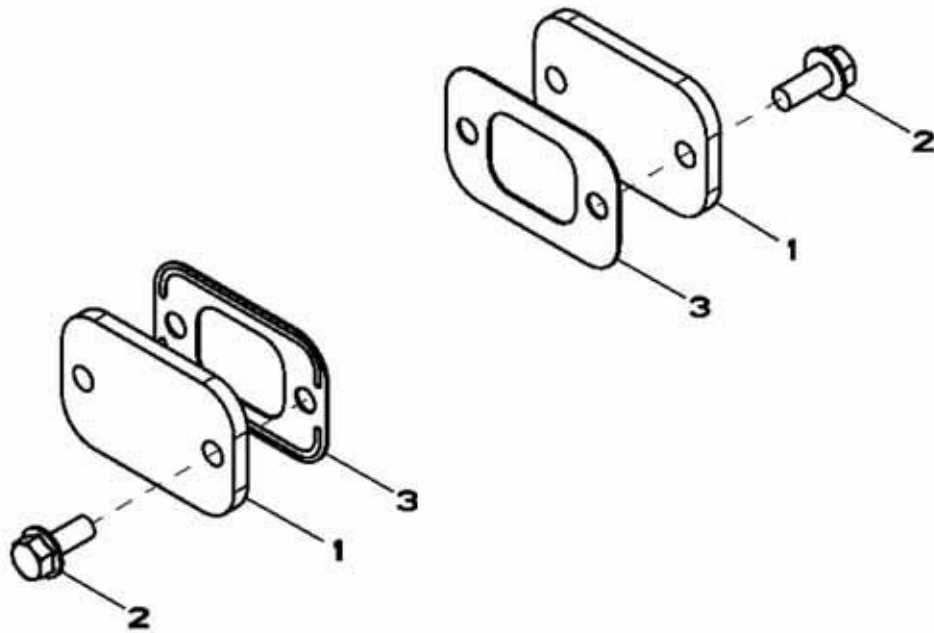
VALVE COVER

ITEM	PART NUMBER	DESCRIPTION	QTY	MODEL Or SERIAL #
1	099-00002	PLUG	4	
2	099-00003	NUT	4	
3	099-00004	O-RING	1	
4	099-00328	MEDALLION	1	
5	099-00329	FILLER CAP	1	
6	098-00889	PACKING	1	
7	099-00006	VALVE COVER	1	
8	099-00330	GASKET	1	
	099-00331	GASKET KIT	AR	



Bullet B260-H-F77B; B260-H-F81B & B260-H-F91B

WITHOUT OIL FILLER NECK



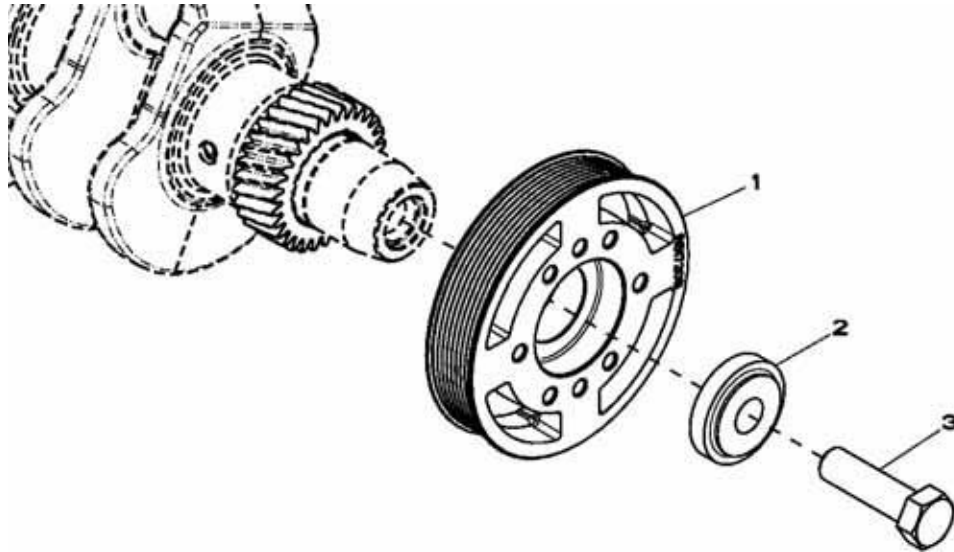


Bullet B260-H-F77B; B260-H-F81B & B260-H-F91B

WITHOUT OIL FILLER NECK

ITEM	PART NUMBER	DESCRIPTION	QTY	MODEL Or SERIAL #
1	099-00010	SCREW	4	
2	099-00011	COVER	2	
3	099-00012	GASKET	3	
4	099-00332	CAP SCREW	4	

CRANKSHAFT PULLEY



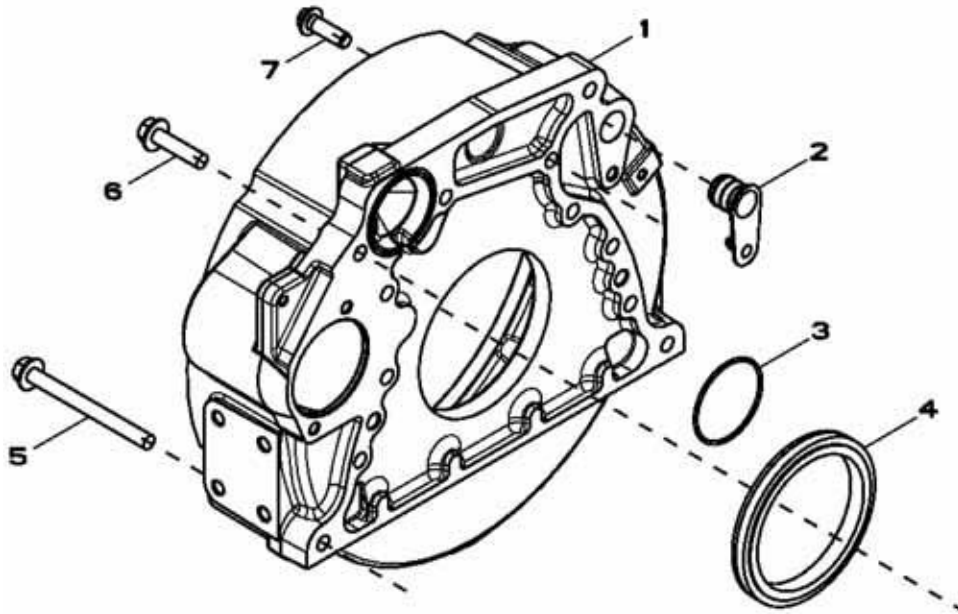


Bullet B260-H-F77B; B260-H-F81B & B260-H-F91B

CRANKSHAFT PULLEY

ITEM	PART NUMBER	DESCRIPTION	QTY	MODEL Or SERIAL #
1	099-00333	CAP SCREW	1	
2	099-00334	BUSHING	1	
3	099-00335	PULLEY	1	

FLYWHEEL HOUSING



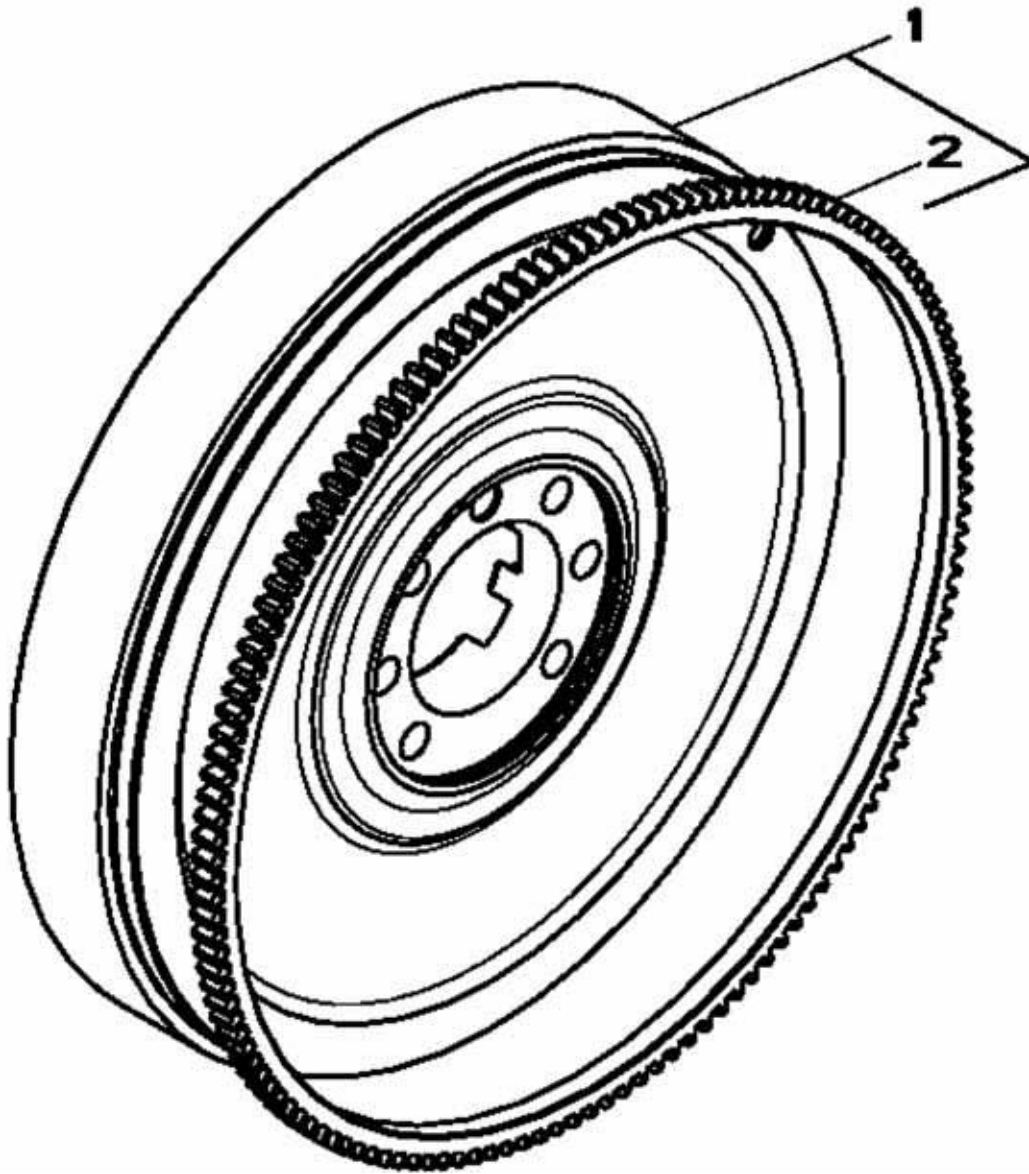


Bullet B260-H-F77B; B260-H-F81B & B260-H-F91B

FLYWHEEL HOUSING

ITEM	PART NUMBER	DESCRIPTION	QTY	MODEL Or SERIAL #
1	099-00013	HOUSING	1	
2	099-00014	PLUG	1	
3	099-00015	O-RING	1	
4	099-00016	SEAL	1	
5	099-00017	SCREW	4	
6	099-00019	SCREW	1	
	099-00336	SCREW	1	
7	099-00018	BOLT	8	

FLYWHEEL



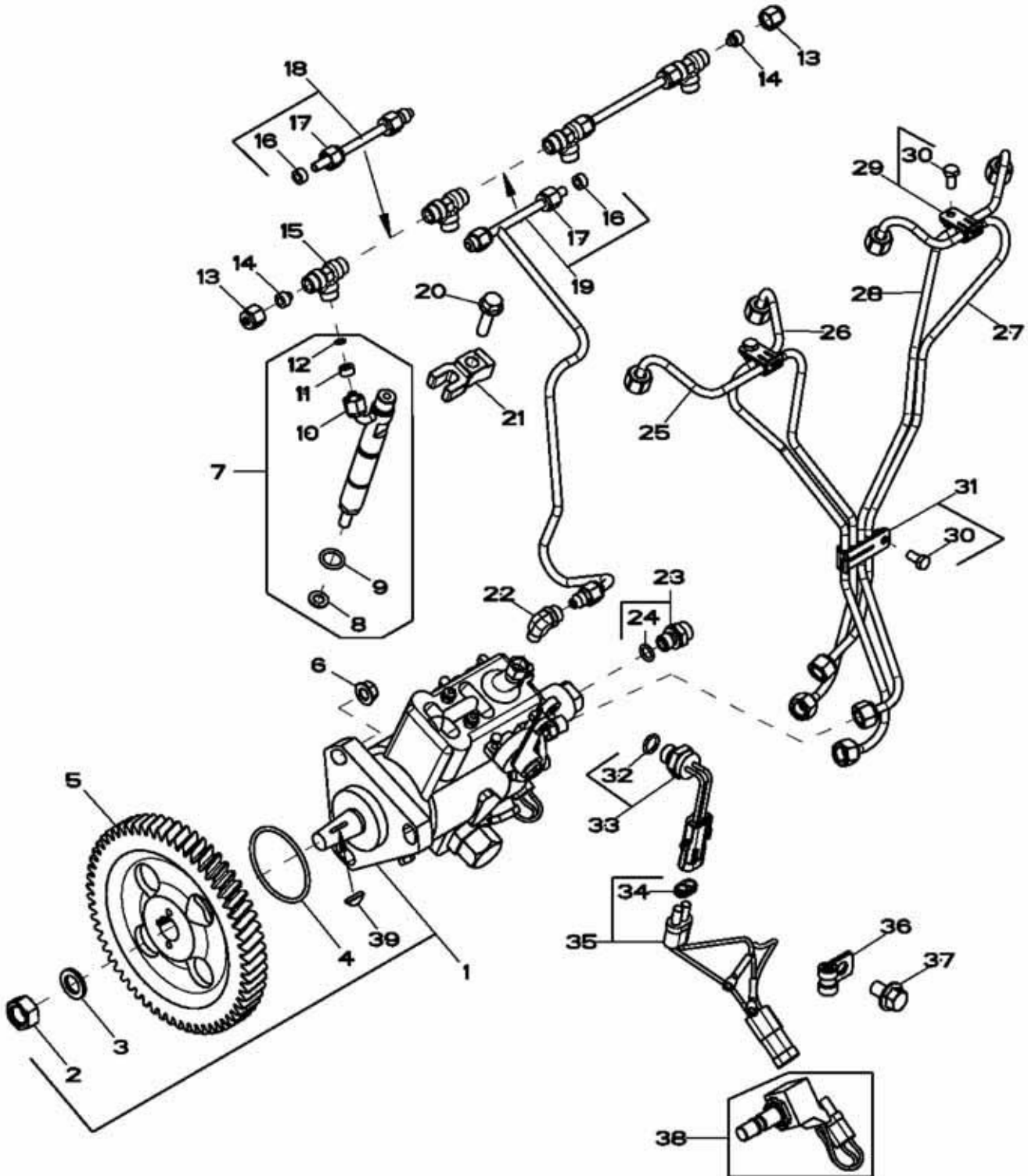


Bullet B260-H-F77B; B260-H-F81B & B260-H-F91B

FLYWHEEL

ITEM	PART NUMBER	DESCRIPTION	QTY	MODEL Or SERIAL #
1	099-00023	FLYWHEEL	1	
2	098-00887	RING GEAR	1	
	099-00018	BOLT	4	

FUEL INJECTION PUMP



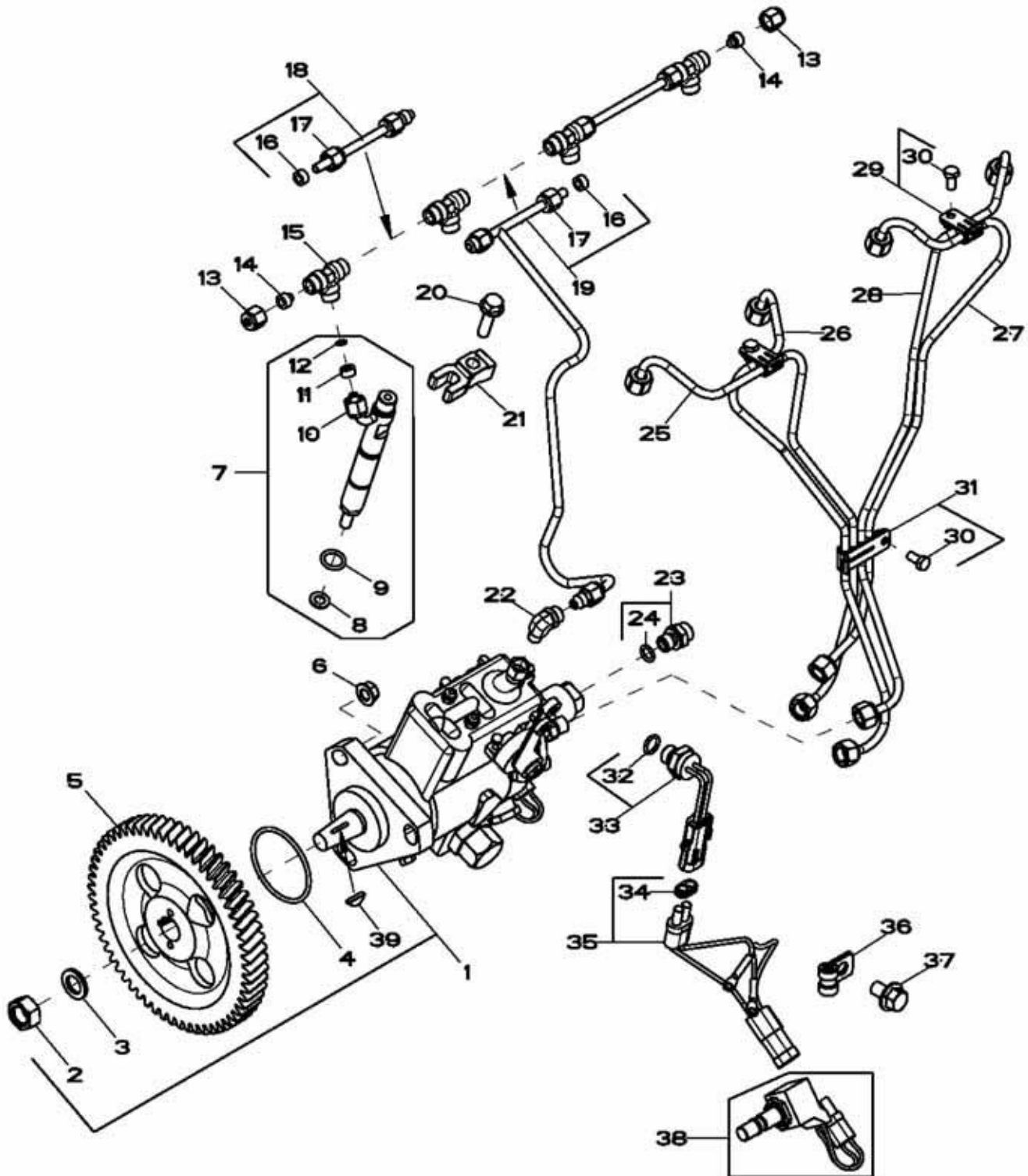


Bullet B260-H-F77B; B260-H-F81B & B260-H-F91B

FUEL INJECTION PUMP

ITEM	PART	DESCRIPTION	QTY	MODEL Or SERIAL #
1	099-00337	FUEL INJECTION PUMP	1	
	099-00338	FUEL INJECTION PUMP REMAN	1	
2	099-00339	NUT	1	
3	099-00340	WASHER	1	
4	099-00341	O-RING	1	
5	099-00342	GEAR	1	
6	099-00111	FLANGE NUT	3	
7	099-00343	INJECTION NOZZLE	4	
	099-00344	INJECTION NOZZLE REMAN	AR	
8	099-00345	WASHER	1	
9	099-00346	O-RING	1	
10	099-00347	TUBE NUT	1	
11	099-00191	SEALING WASHER	1	
12	099-00348	PISTON RING	1	
13	0099-00347	TUBE NUT	2	
14	099-00349	PLUG	2	
15	099-00350	TEE FITTING	4	
16	099-00191	SEALING WASHER	7	
17	099-00347	TUBE NUT	7	
18	099-00351	FUEL LINE	2	
19	099-00352	FUEL LINE	1	
20	099-00037	SCREW	4	
21	099-00353	CLAMP	4	
22	099-00354	ELBOW FITTING	1	
23	099-00101	ADAPTER FITTING	1	

FUEL INJECTION PUMP



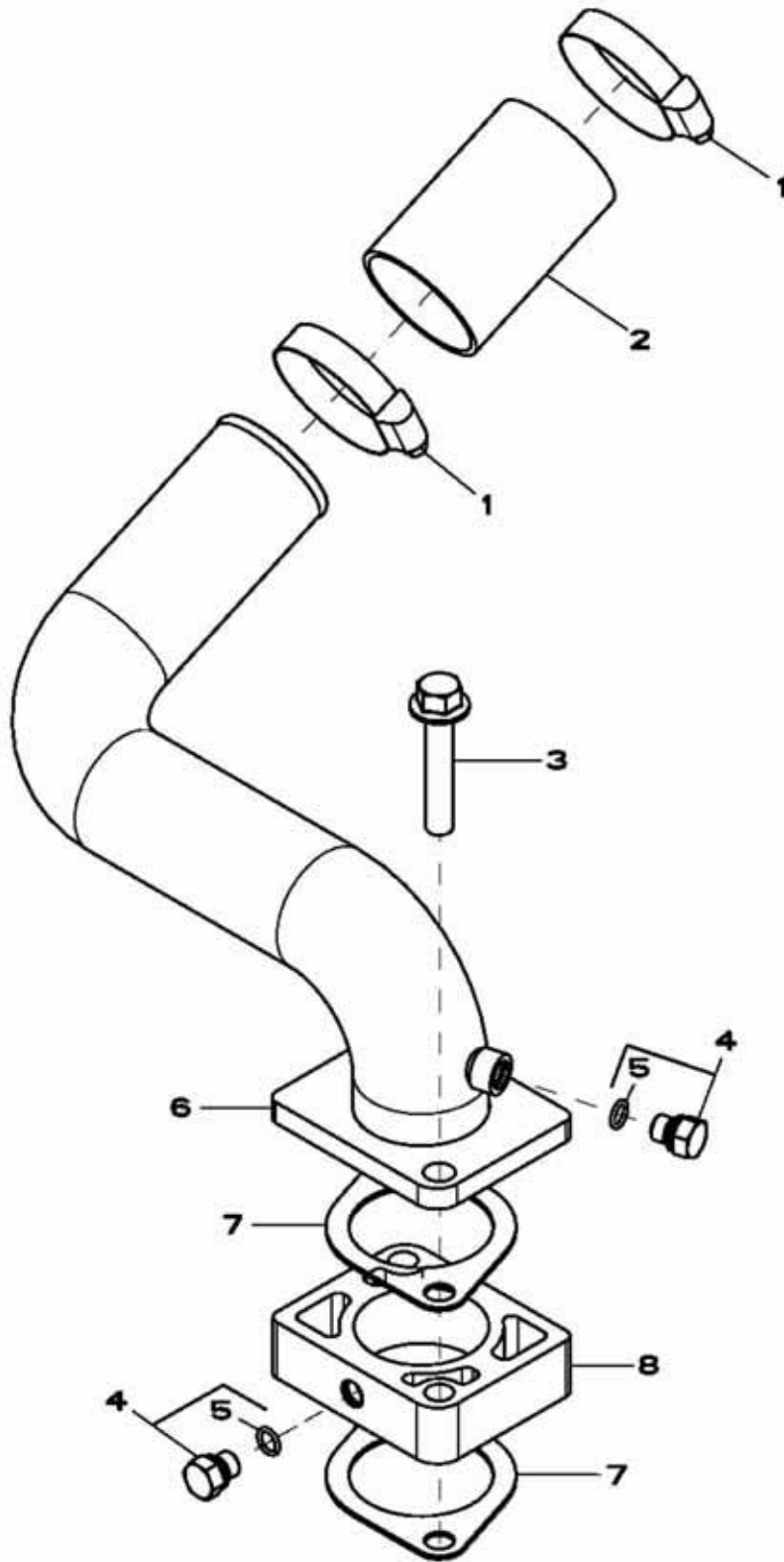


Bullet B260-H-F77B; B260-H-F81B & B260-H-F91B

FUEL INJECTION PUMP

ITEM	PART	DESCRIPTION	QTY	MODEL Or SERIAL #
24	099-00181	O-RING	1	
25	099-00355	FUEL LINE	1	
26	099-00356	LINE	1	
27	099-00357	FUEL LINE	1	
28	099-00358	FUEL LINE	1	
29	099-00359	CLAMP	2	
30	099-00529	CAP SCREW	3	
31	099-00530	CLAMP	1	
32	099-00042	O-RING	1	
33	099-00307	SENSOR WIRING HARNESS	1	
34	099-00360	ELEC. CONNECTOR ACCESSORY	AR	
35	099-00308	WIRING HARNESS	1	
36	099-00361	CLAMP	1	
37	099-00362	SCREW	1	
38	099-00363	KIT	1	
39	099-00364	SHAFT KEY	1	

INTAKE MANIFOLD



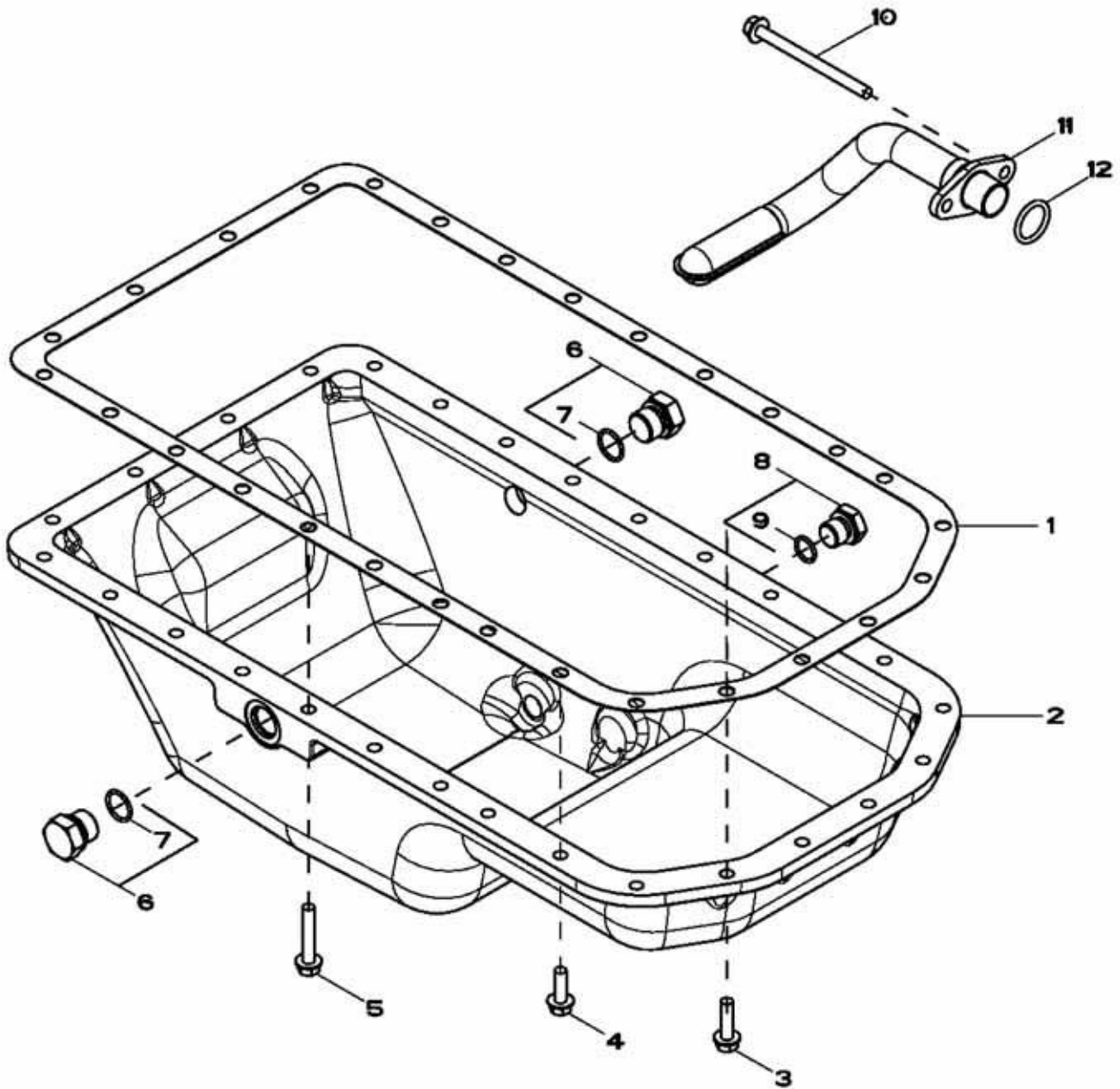


Bullet B260-H-F77B; B260-H-F81B & B260-H-F91B

INTAKE MANIFOLD

ITEM	PART NUMBER	DESCRIPTION	QTY	MODEL Or SERIAL #
1	099-00365	CLAMP	2	
2	099-00366	HOSE	1	
3	099-00367	SCREW	2	
4	099-00029	FITTING	2	
5	099-00028	O-RING	1	
6	099-00368	AIR INTAKE	1	
7	099-00369	GASKET	2	
8	099-00027	SPACER	1	

OIL PAN



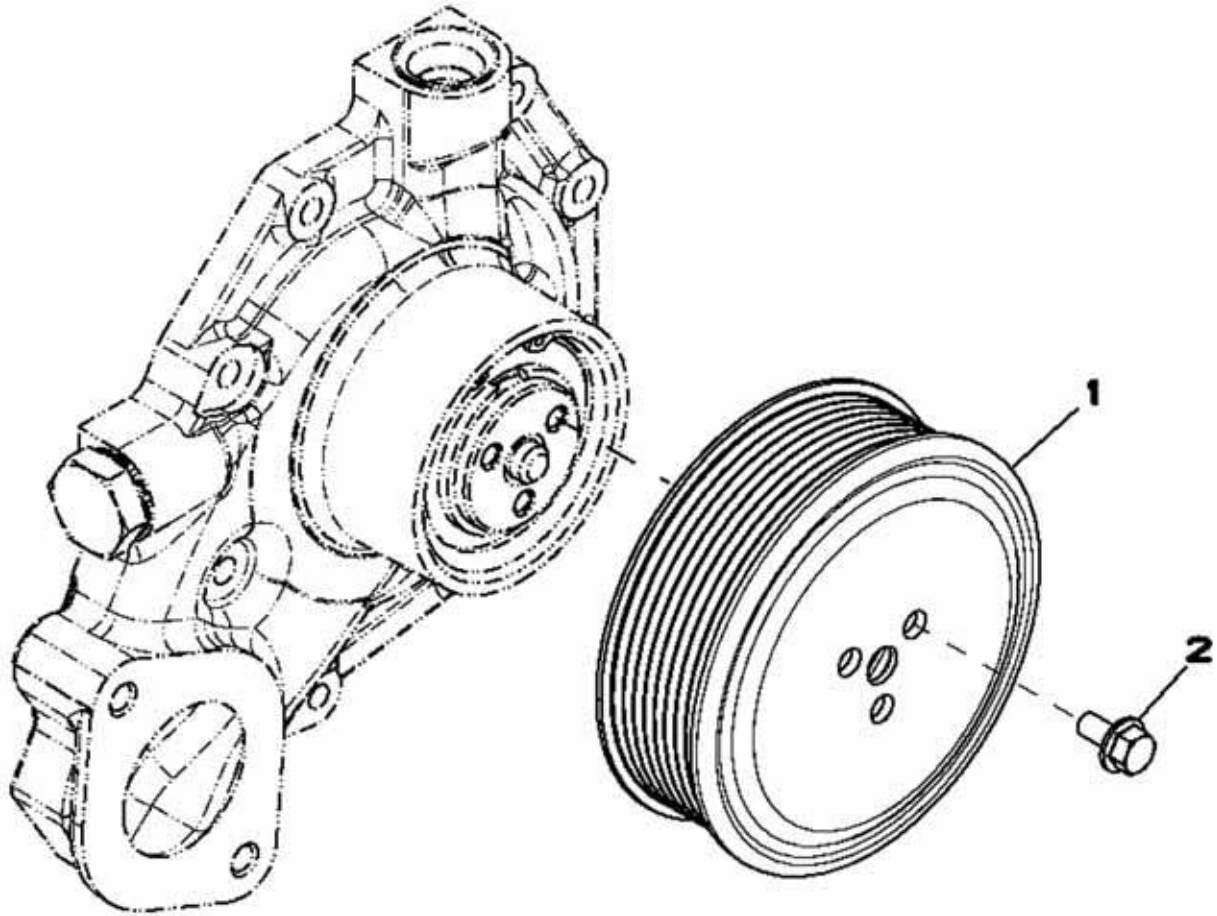


Bullet B260-H-F77B; B260-H-F81B & B260-H-F91B

OIL PAN

ITEM	PART NUMBER	DESCRIPTION	QTY	MODEL Or SERIAL #
1	098-00890	GASKET	1	
2	099-00034	OIL PAN	1	
3	099-00037	SCREW	6	
4	099-00036	SCREW	18	
5	099-00035	SCREW	4	
6	098-00884	DRAIN PLUG	2	
7	099-00050	O-RING	1	
8	098-00885	FITTING PLUG	1	
9	099-00300	O-RING	1	
10	099-00370	SCREW	2	
11	099-00039	OIL PUMP INTAKE	1	
12	099-00040	O-RING	1	

WATER PUMP PULLEY



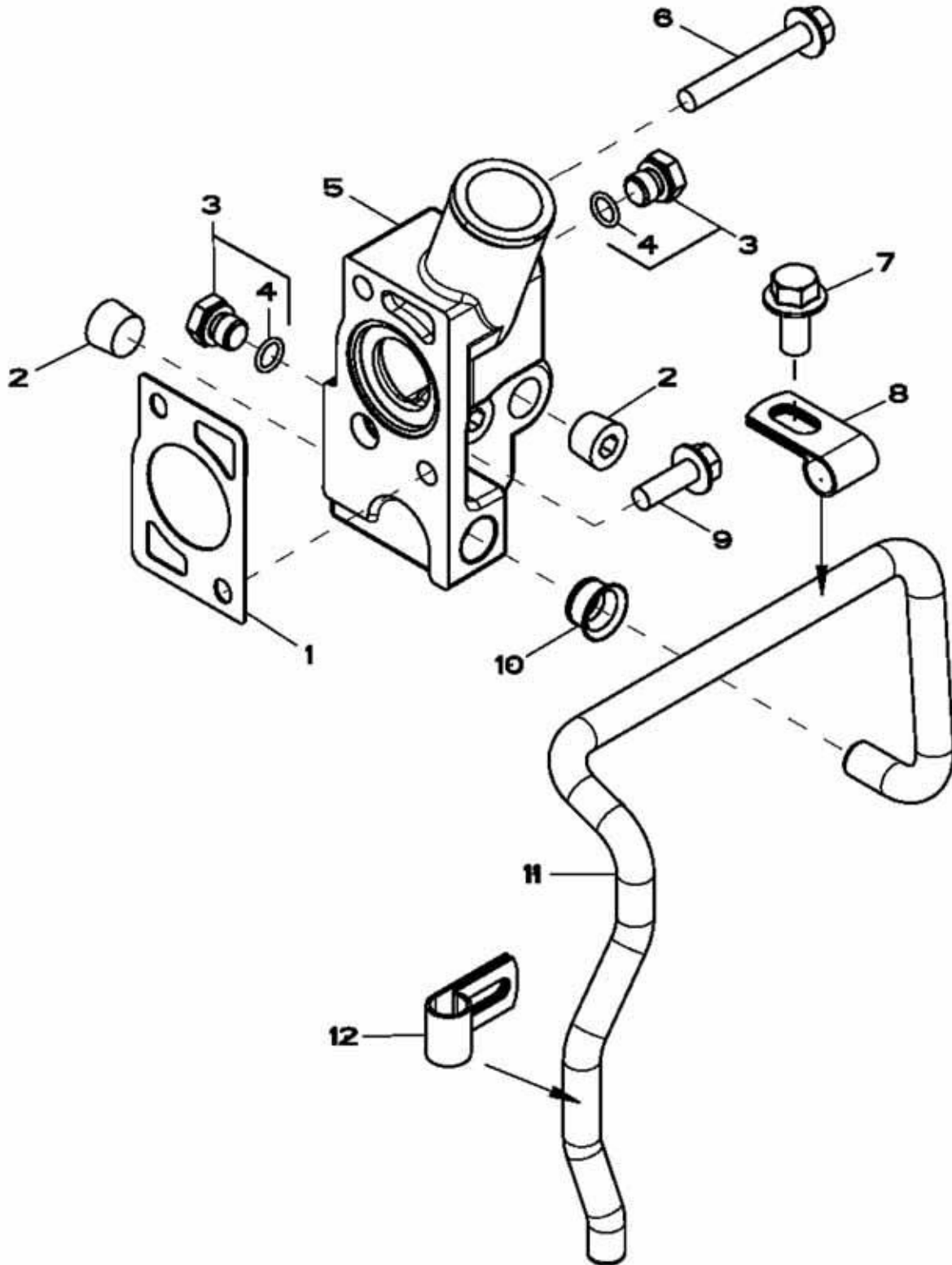


Bullet B260-H-F77B; B260-H-F81B & B260-H-F91B

WATER PUMP PULLEY

ITEM	PART NUMBER	DESCRIPTION	QTY	MODEL Or SERIAL #
1	099-00232	PULLEY	1	
2	099-00233	SCREW	3	

THERMOSTAT COVER



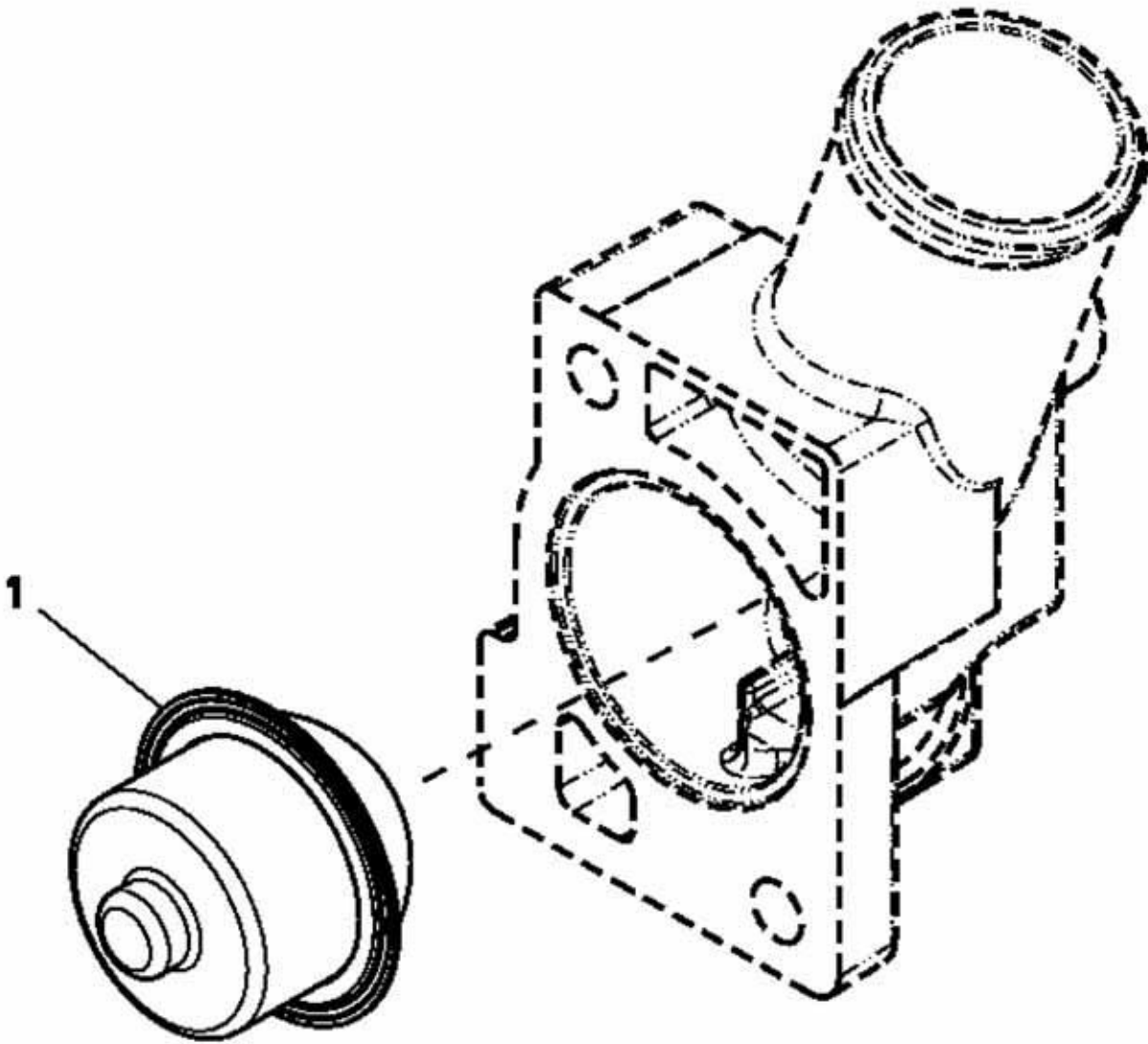


Bullet B260-H-F77B; B260-H-F81B & B260-H-F91B

THERMOSTAT COVER

ITEM	PART NUMBER	DESCRIPTION	QTY	MODEL Or SERIAL #
1	099-00052	GASKET	1	
2	099-00371	PIPE PLUG	3	
3	099-00043	FITTING PLUG	AR	
4	099-00042	O-RING	AR	
5	099-00372	COVER	1	
6	099-00373	SCREW	1	
7	099-00046	SCREW	1	
8	099-00047	CLAMP	1	
9	099-00049	SCREW	1	
10	099-00044	SEAL	1	
11	099-00374	TUBE	1	
12	099-00048	CLAMP	1	

THERMOSTAT



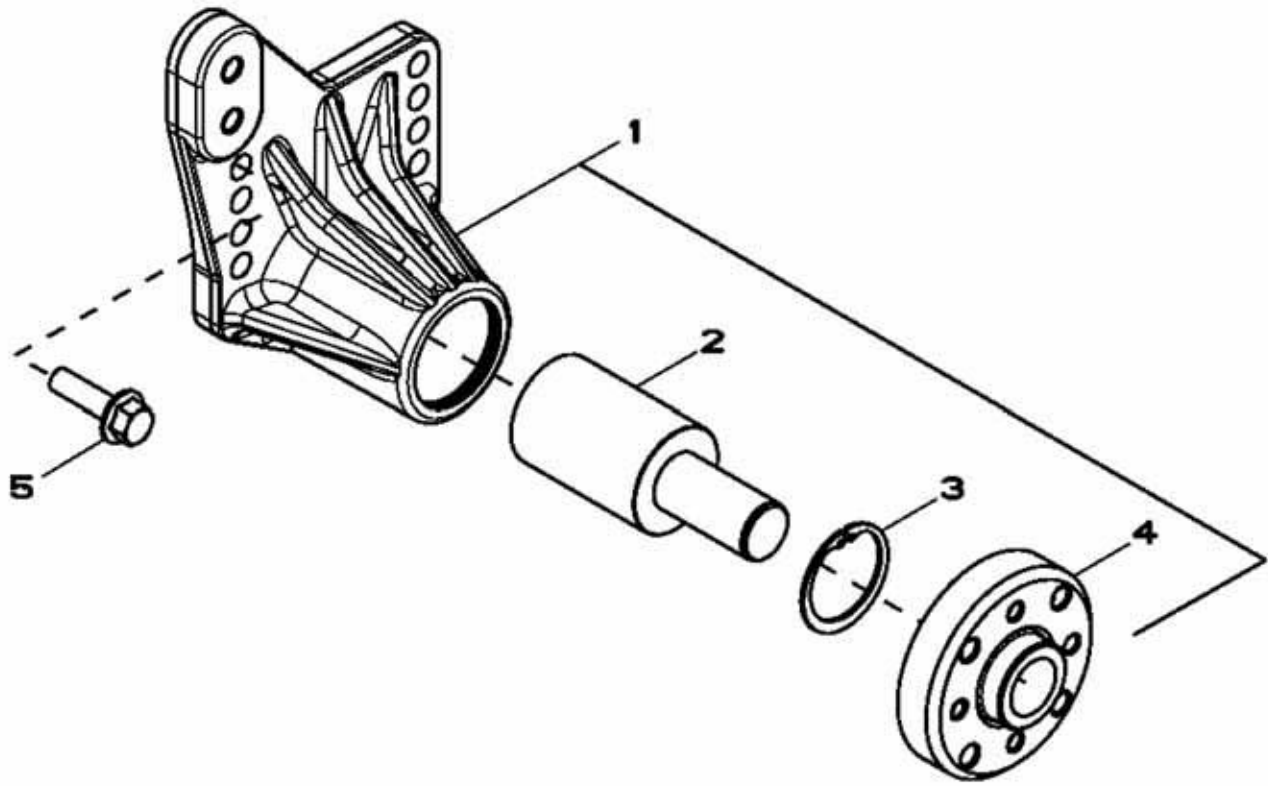


Bullet B260-H-F77B; B260-H-F81B & B260-H-F91B

THERMOSTAT

ITEM	PART NUMBER	DESCRIPTION	QTY	MODEL Or SERIAL #
1	099-00375	THERMOSTAT	1	

FAN DRIVE



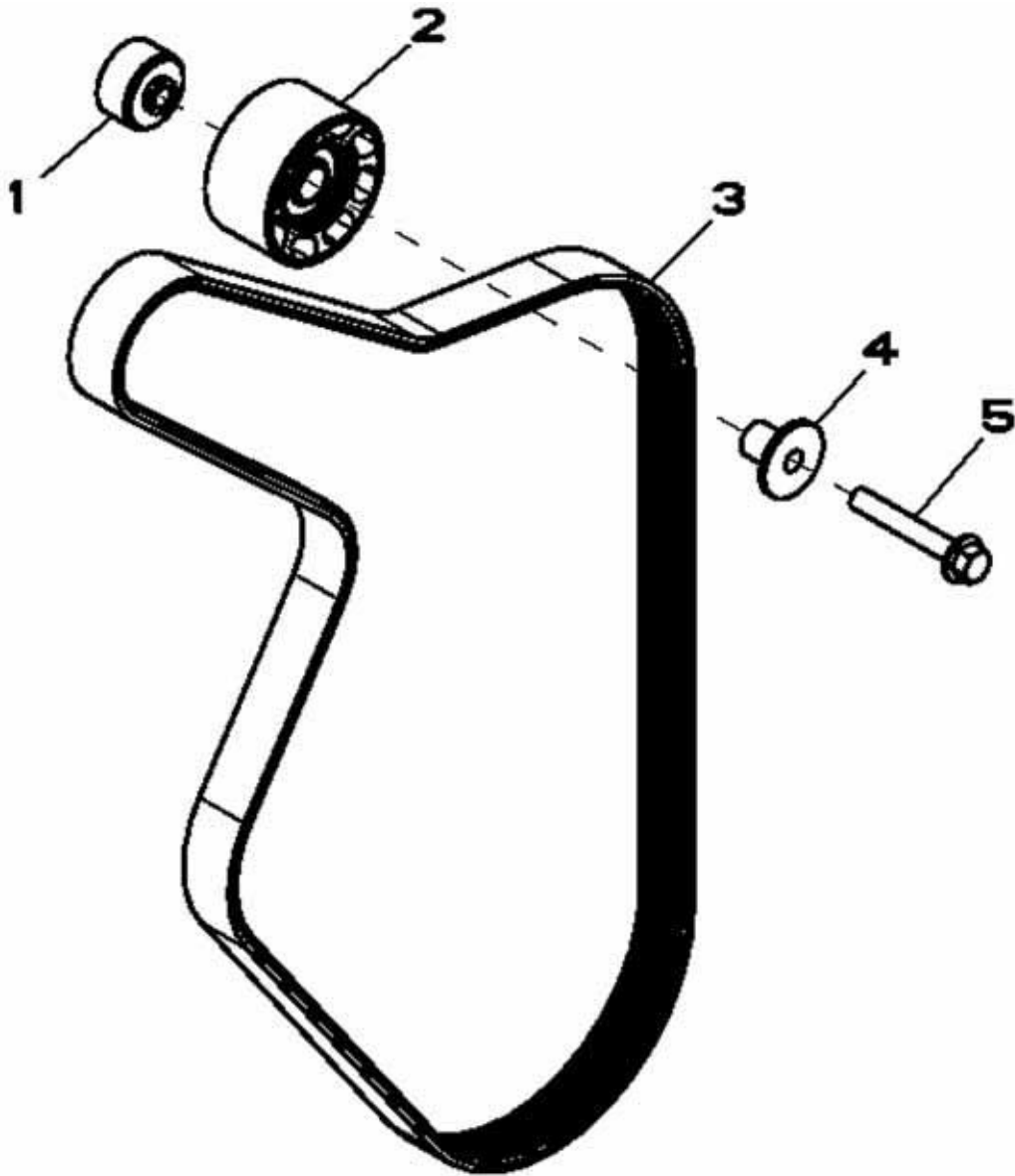


Bullet B260-H-F77B; B260-H-F81B & B260-H-F91B

FAN DRIVE

ITEM	PART NUMBER	DESCRIPTION	QTY	MODEL Or SERIAL #
1	099-00376	FAN DRIVE	1	
2		BALL BEARING (ORDER ITEM 1)	1	
3	099-00377	SNAP RING	1	
4		HUB (ORDER ITEM 1)	1	
5	099-00058	SCREW	4	

FAN BELT



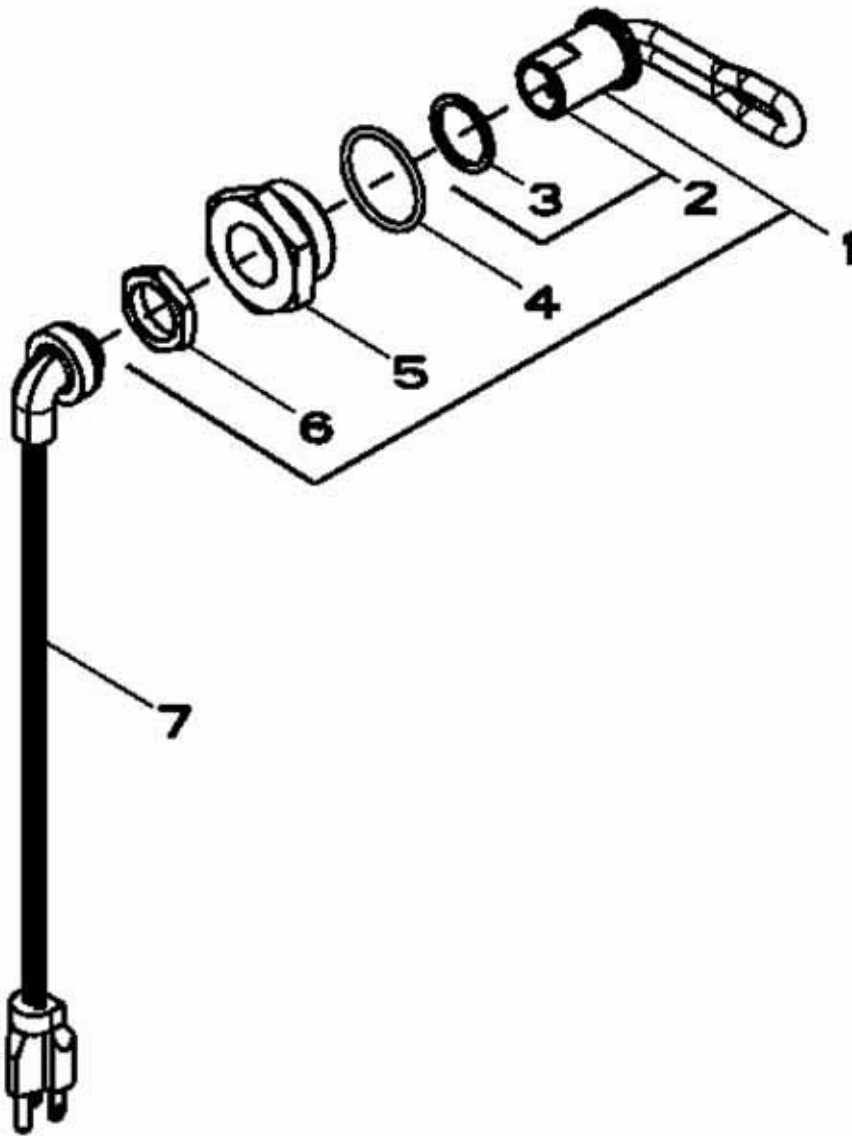


Bullet B260-H-F77B; B260-H-F81B & B260-H-F91B

FAN BELT

ITEM	PART NUMBER	DESCRIPTION	QTY	MODEL Or SERIAL #
1	098-00923	SPACER	1	
2	098-00924	PULLEY	1	
3	098-00917	BELT	1	
4	098-00925	SLEEVE	1	
5	099-00062	SCREW	1	

ENGINE COOLANT HEATER



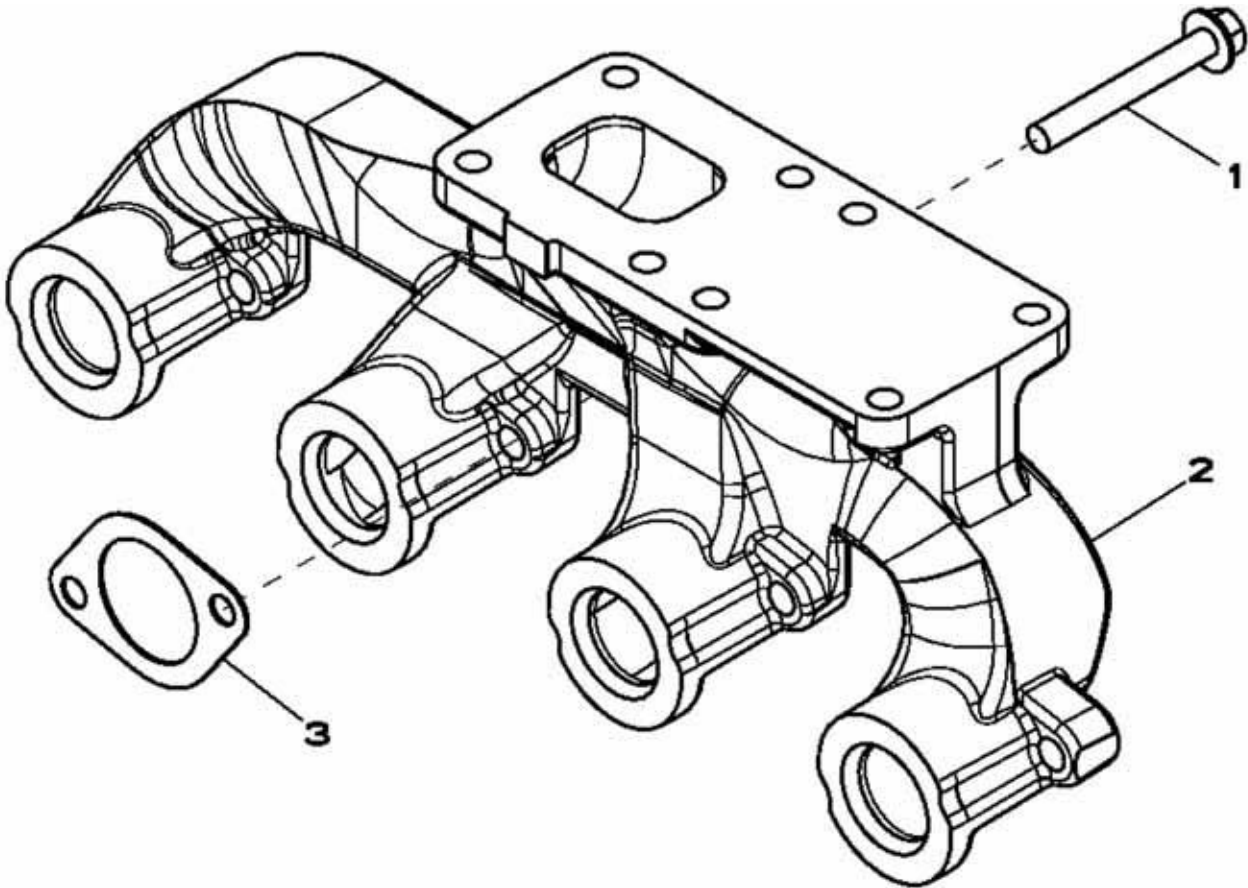


Bullet B260-H-F77B; B260-H-F81B & B260-H-F91B

ENGINE COOLANT HEATER

ITEM	PART NUMBER	DESCRIPTION	QTY	MODEL Or SERIAL #
1	099-00070	COOLANT HEATER	1	
2	099-00068	HEATING ELEMENT	1	
3	099-00378	WASHER	1	
4	099-00066	O-RING	1	
5	099-00065	ADAPTER FITTING	1	
6		NUT (ORDER ITEM 1 OR 2)	1	
7	099-00064	WIRING LEAD	1	

EXHAUST MANIFOLD



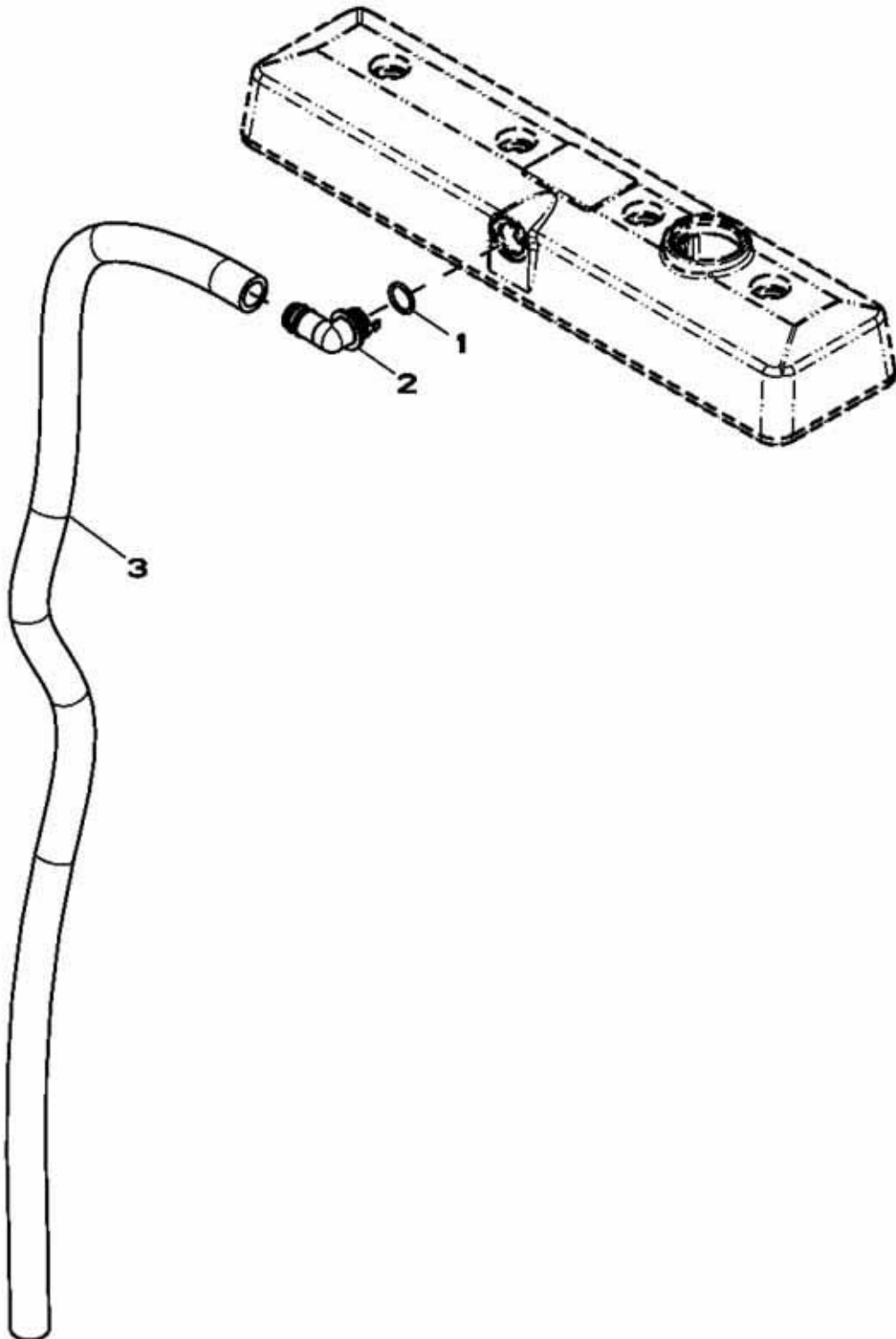


Bullet B260-H-F77B; B260-H-F81B & B260-H-F91B

EXHAUST MANIFOLD

ITEM	PART NUMBER	DESCRIPTION	QTY	MODEL Or SERIAL #
1	099-00379	SCREW	8	
2	099-00380	EXHAUST MANIFOLD	1	
3	099-00381	GASKET	4	

VENTILATING SYSTEM



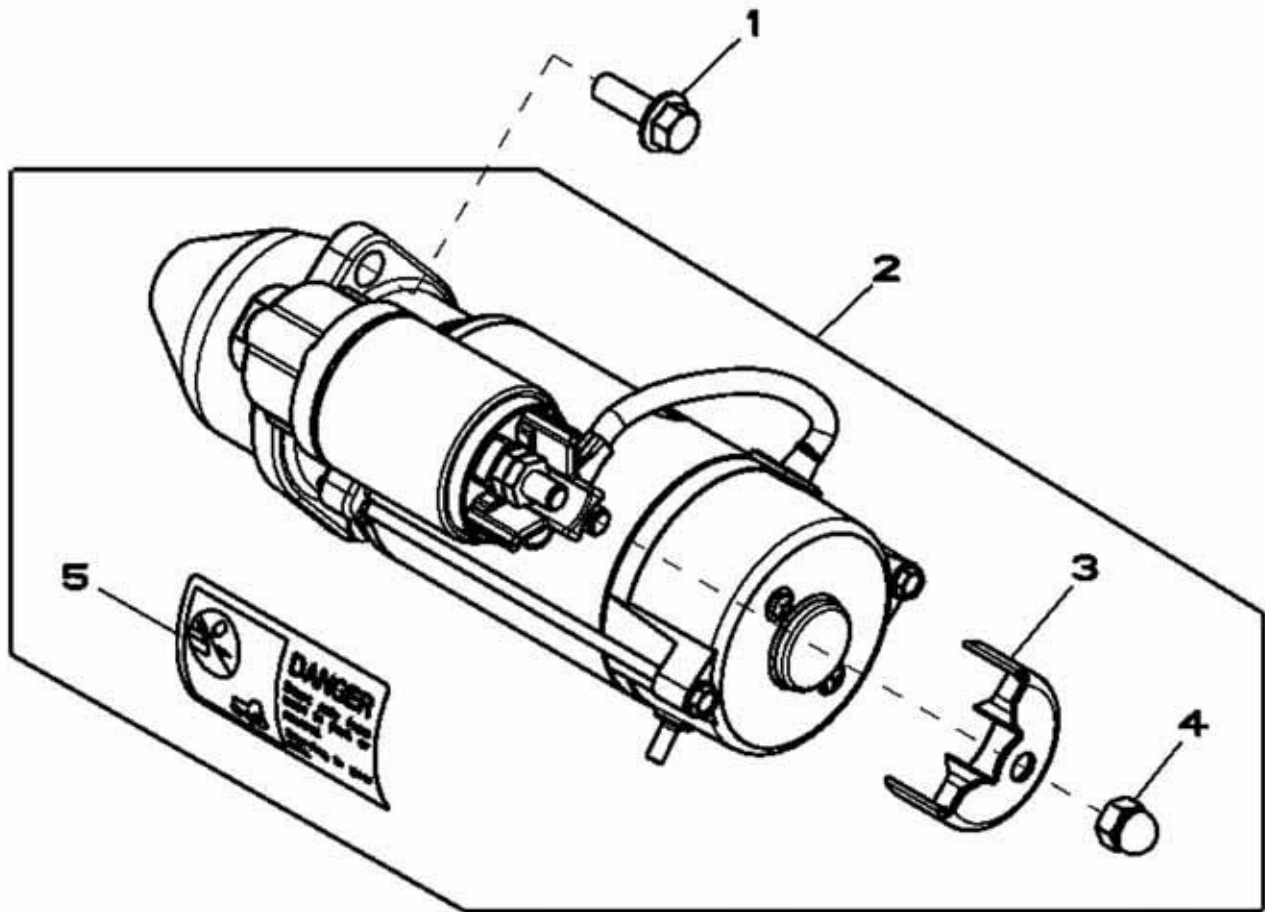


Bullet B260-H-F77B; B260-H-F81B & B260-H-F91B

VENTILATING SYSTEM

ITEM	PART NUMBER	DESCRIPTION	QTY	MODEL Or SERIAL #
1	099-00382	O-RING	1	
2	099-00383	ELBOW FITTING	1	
3	099-00384	HOSE (CUT TO LENGHT)	1	

STARTING MOTOR



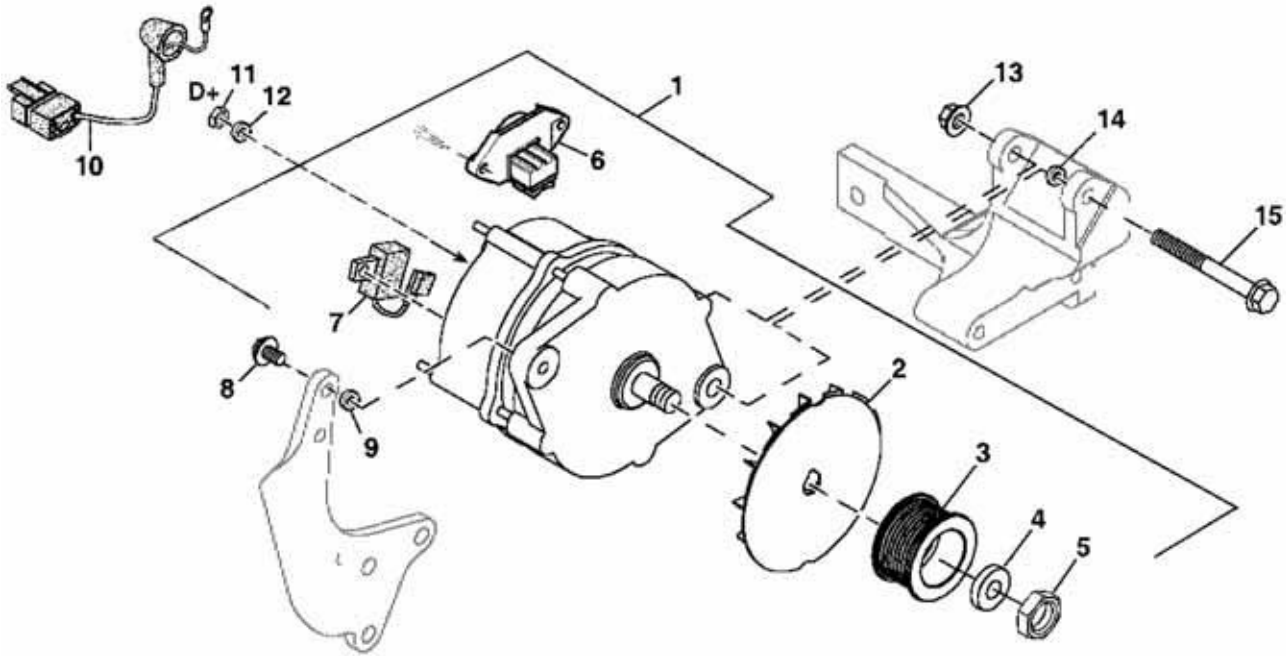


Bullet B260-H-F77B; B260-H-F81B & B260-H-F91B

STARTING MOTOR

ITEM	PART NUMBER	DESCRIPTION	QTY	MODEL Or SERIAL #
1	099-00049	SCREW	3	
2	098-00859	STARTER MOTOR KIT	1	
	099-00385	STARTER MOTOR REMAN	1	
3	099-00386	COVER	1	
4	099-00076	NUT	1	
5	099-00077	LABEL	1	

ALTERNATOR



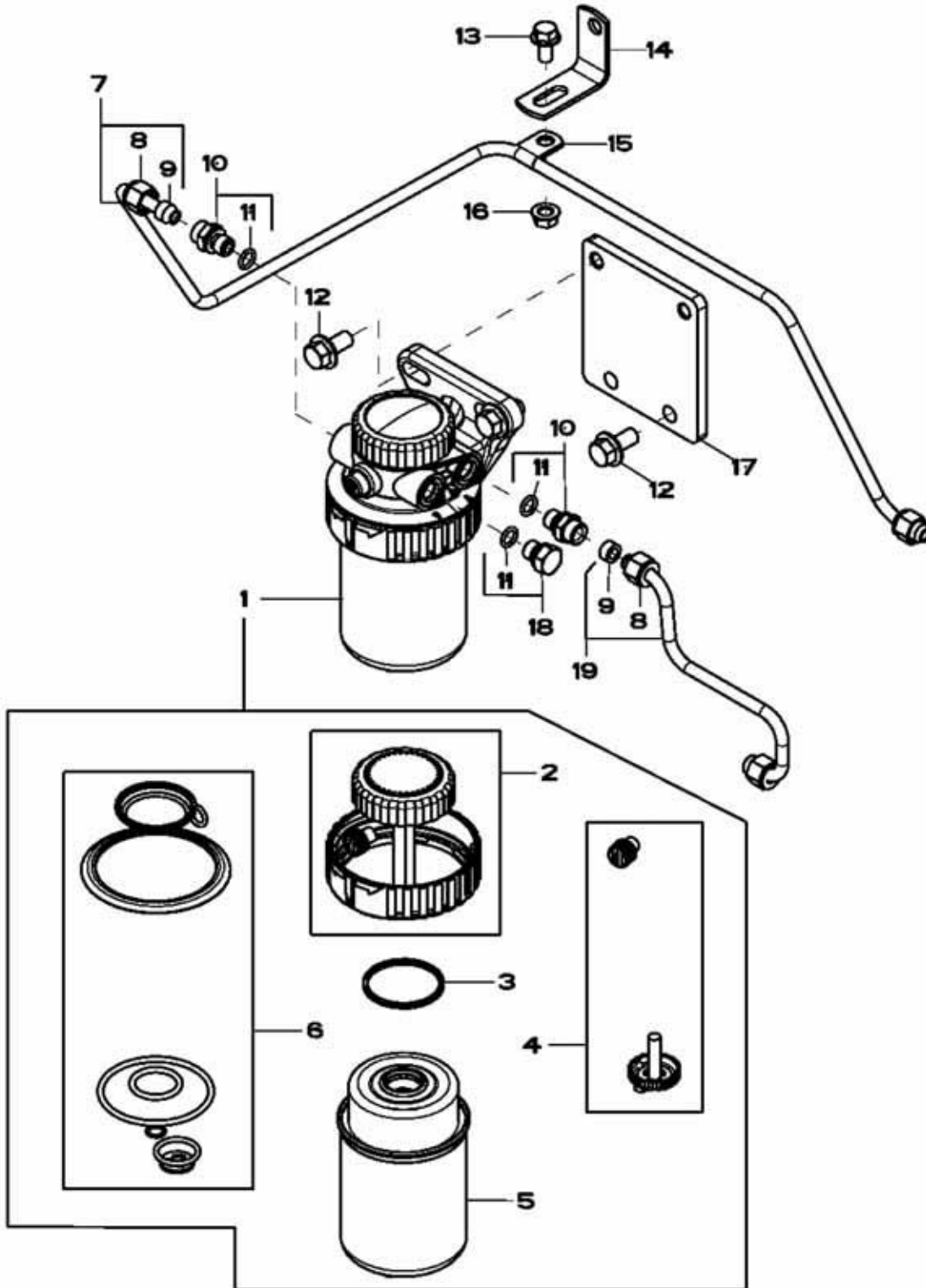


Bullet B260-H-F77B; B260-H-F81B & B260-H-F91B

ALTERNATOR

ITEM	PART	DESCRIPTION	QTY	MODEL Or SERIAL #
1	099-00326	ALTERNATOR	1	
2	099-00387	FAN	1	
3	099-00388	PULLEY	1	
4	099-00389	WASHER	1	
5	099-00087	NUT	1	
6	099-00390	REGULATOR	1	
7	099-00391	CAPACITOR	1	
8	099-00392	SCREW	1	
9	099-00393	WASHER	1	
10	098-00851	WIRING HARNESS	1	
11	099-00092	NUT	1	
12	099-00394	LOCK WASHER	1	
13	099-00108	FLANGE NUT	1	
14	099-00085	THRUST WASHER	1	
15	099-00086	SCREW	1	

FINAL FUEL FILTER



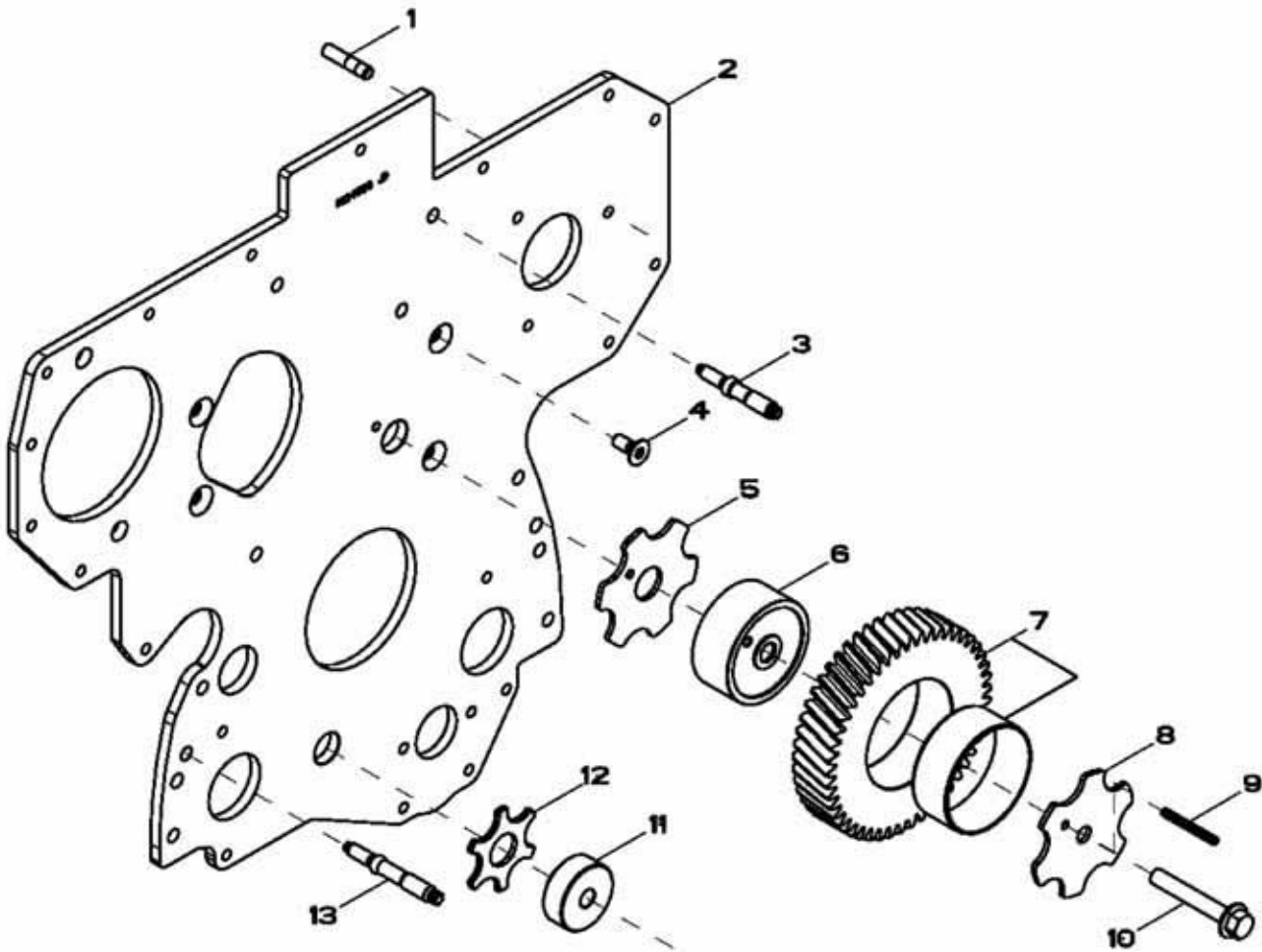


Bullet B260-H-F77B; B260-H-F81B & B260-H-F91B

FINAL FUEL FILTER

ITEM	PART	DESCRIPTION	QTY	MODEL Or SERIAL #
1	099-00395	FILTER	1	
2	099-00396	SEAL KIT	1	
3	099-00397	O-RING KIT	1	
4	099-00115	VALVE KIT	1	
5	098-01761	FILTER ELEMENT	1	
6	099-00398	SEAL KIT	1	
7	099-00399	FUEL LINE	1	
8	099-00400	TUBE NUT	AS REQUIRED	
9	099-00099	SEALING WASHER	AS REQUIRED	
10	099-00101	ADAPTER FITTING	2	
11	099-00181	O-RING	1	
12	099-00204	SCREW	4	
13	099-00114	SCREW	1	
14	099-00113	BRACKET	1	
15	099-00112	CLAMP	1	
16	099-00111	FLANGE NUT	1	
17	099-00401	BRACKET	1	
18	099-00102	FITTING PLUG	2	
19	099-00402	FUEL LINE	1	

FRONT PLATE AND IDLE GEARS (UPPER AND LOWER)



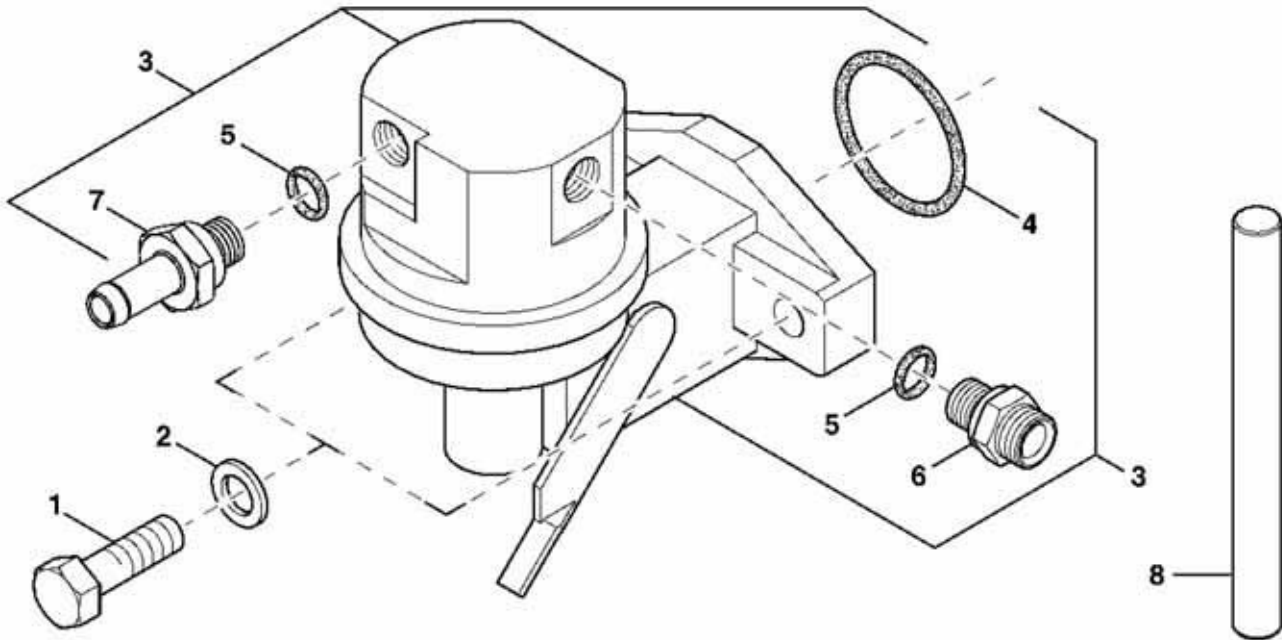


Inc. *Bullet B260-H-F77B; B260-H-F81B & B260-H-F91B*

FRONT PLATE AND IDLE GEARS (UPPER AND LOWER)

ITEM	PART	DESCRIPTION	QTY	MODEL Or SERIAL #
1	099-00403	STUD	3	
2	099-00404	PLATE	1	
3	099-00405	STUD	2	
4	099-00406	SCREW	4	
5	099-00407	THRUST WASHER	1	
6	099-00408	SHAFT	1	
7	099-00409	GEAR	1	
8	099-00410	THRUST WASHER	1	
9	099-00411	SPRING PIN	1	
10	099-00412	SCREW	1	
11	099-00413	SHAFT	1	
12	099-00414	THRUST WASHER	1	
13	099-00415	STUD	4	
	099-00416	SEALANT	1	

FUEL TRANSFER PUMP



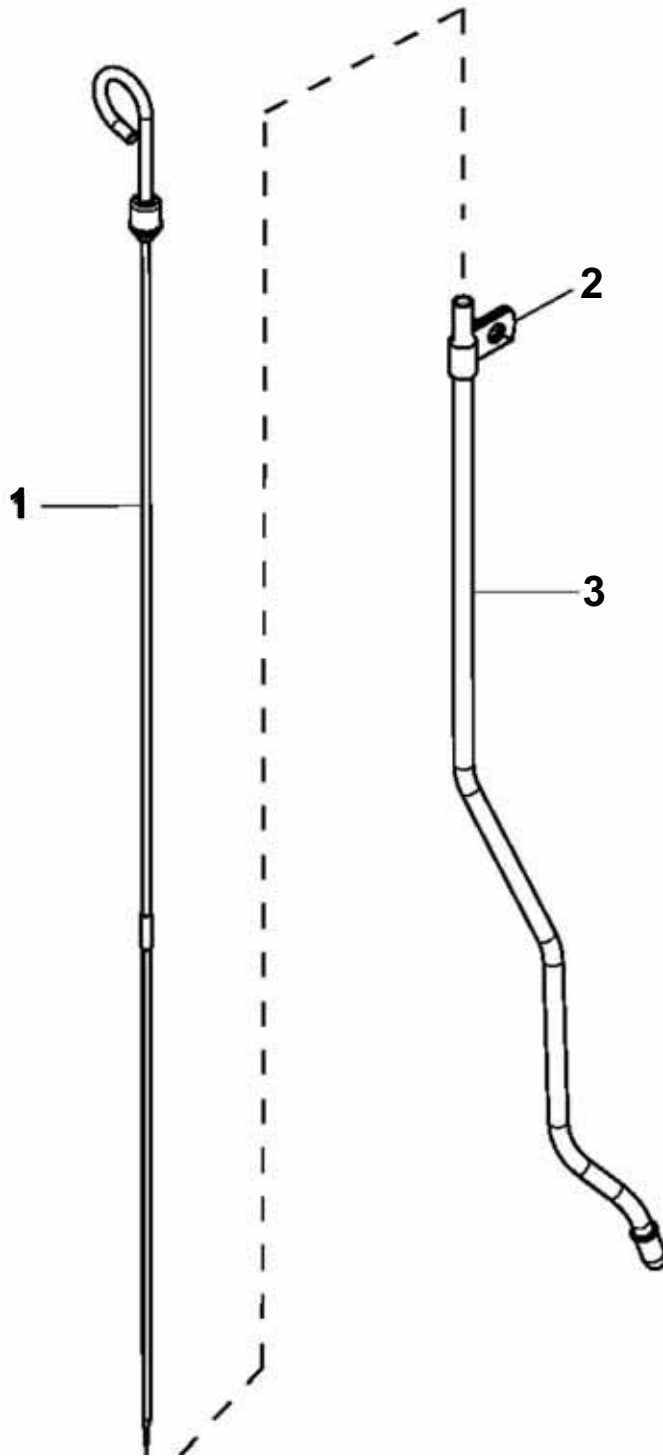


Bullet B260-H-F77B; B260-H-F81B & B260-H-F91B

FUEL TRANSFER PUMP

ITEM	PART NUMBER	DESCRIPTION	QTY	MODEL Or SERIAL #
1	099-00126	CAP SCREW	2	
2	099-00125	WASHER	2	
3	098-00891	FUEL PUMP (INCLUDES ITEMS 4,5,6 AND 7)	1	
4	099-00120	O-RING	1	
5	098-00892	O-RING	2	
6	099-00123	FITTING (ALSO ORDER ITEM 5)	1	
7	099-00124	FITTING (ALSO ORDER ITEM 5)	1	
8	099-00128	PIN	1	

ENGINE OIL DIPSTICK



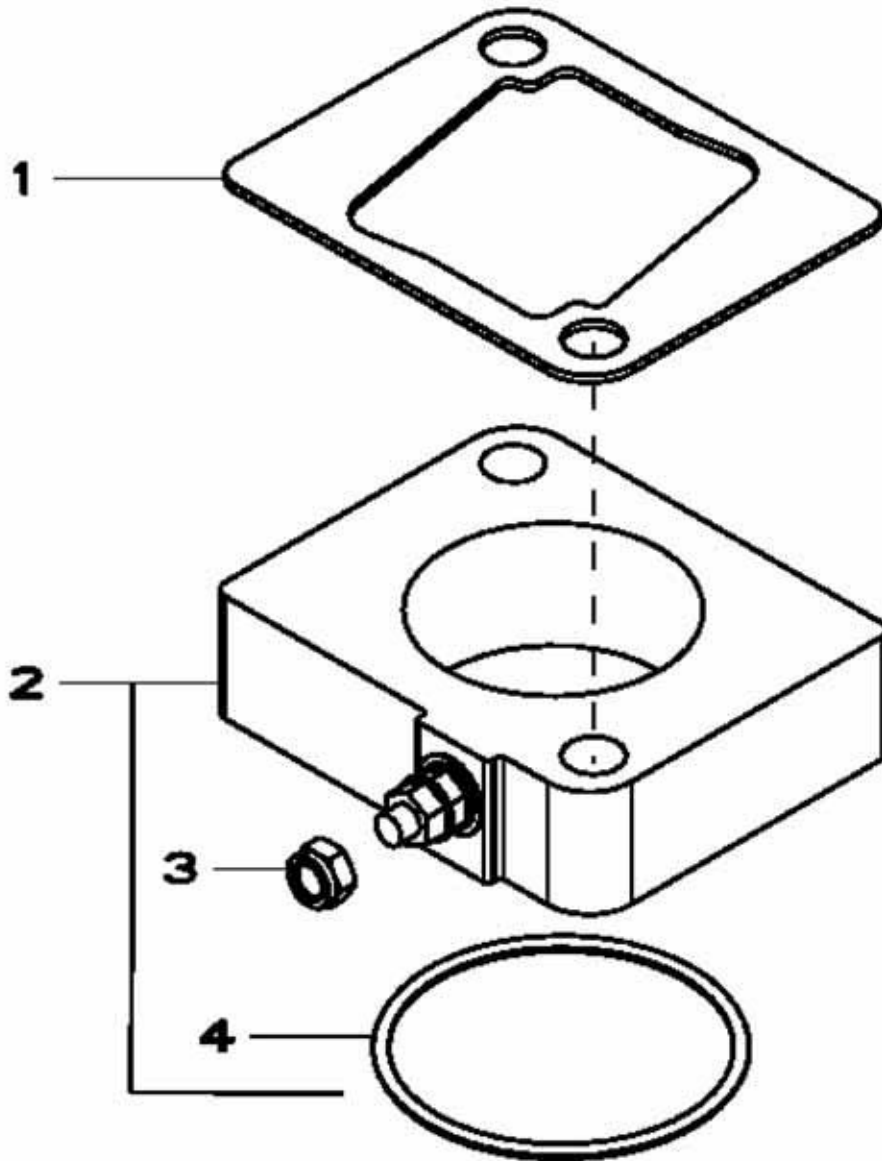


Bullet B260-H-F77B; B260-H-F81B & B260-H-F91B

ENGINE OIL DIPSTICK

ITEM	PART NUMBER	DESCRIPTION	QTY	MODEL Or SERIAL #
1	099-00129	DIPSTICK	1	
2	099-00133	CLAMP	1	
3	099-00135	DIPSTICK TUBE	1	

STARTING AID



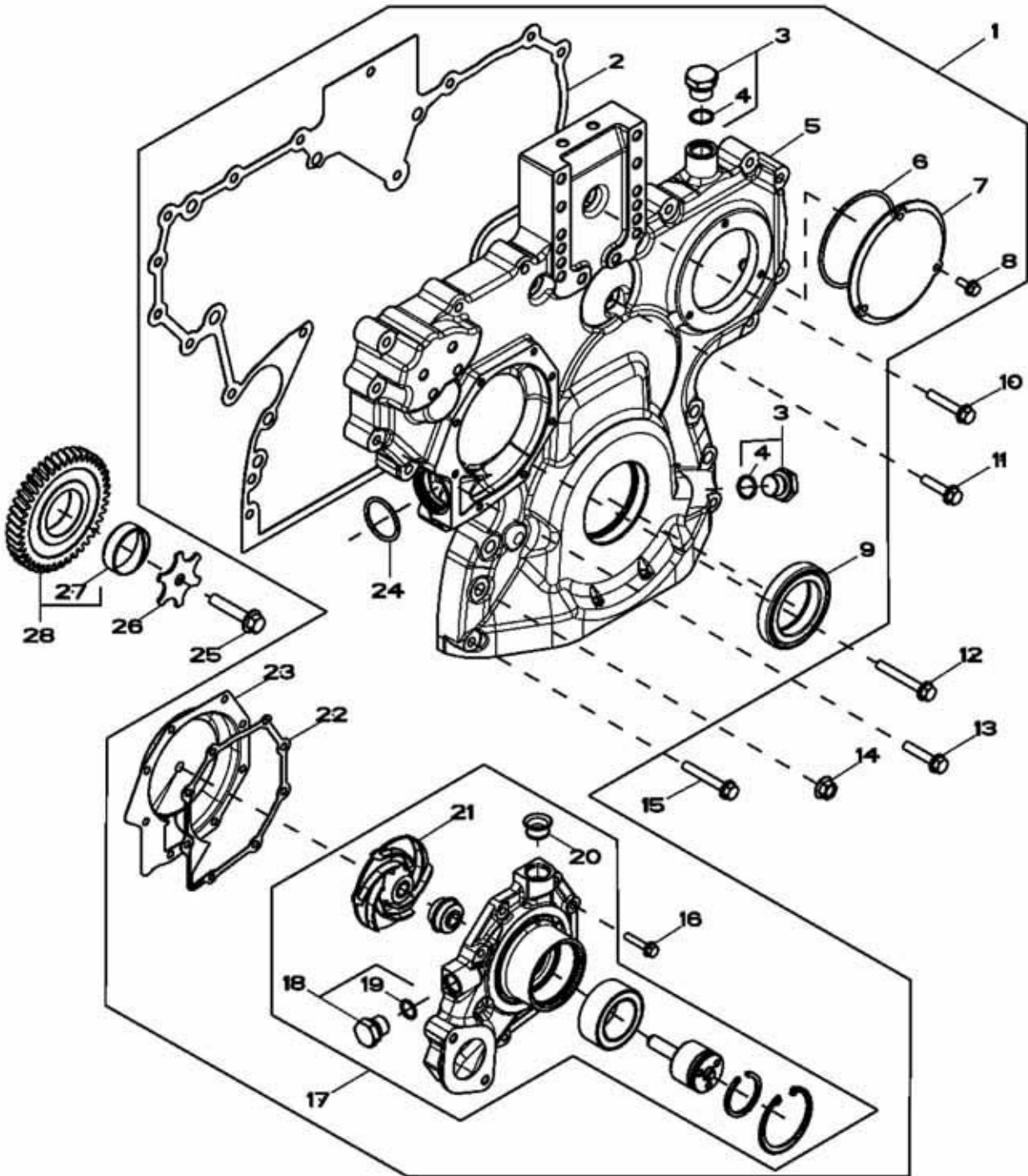


Bullet B260-H-F77B; B260-H-F81B & B260-H-F91B

STARTING AID

ITEM	PART NUMBER	DESCRIPTION	QTY	MODEL Or SERIAL #
1	099-00026	GASKET	1	
2	099-00137	HEATER	1	
3	099-00420	LOCK NUT	1	
4	099-00136	O-RING	1	

TIMING GEAR COVER



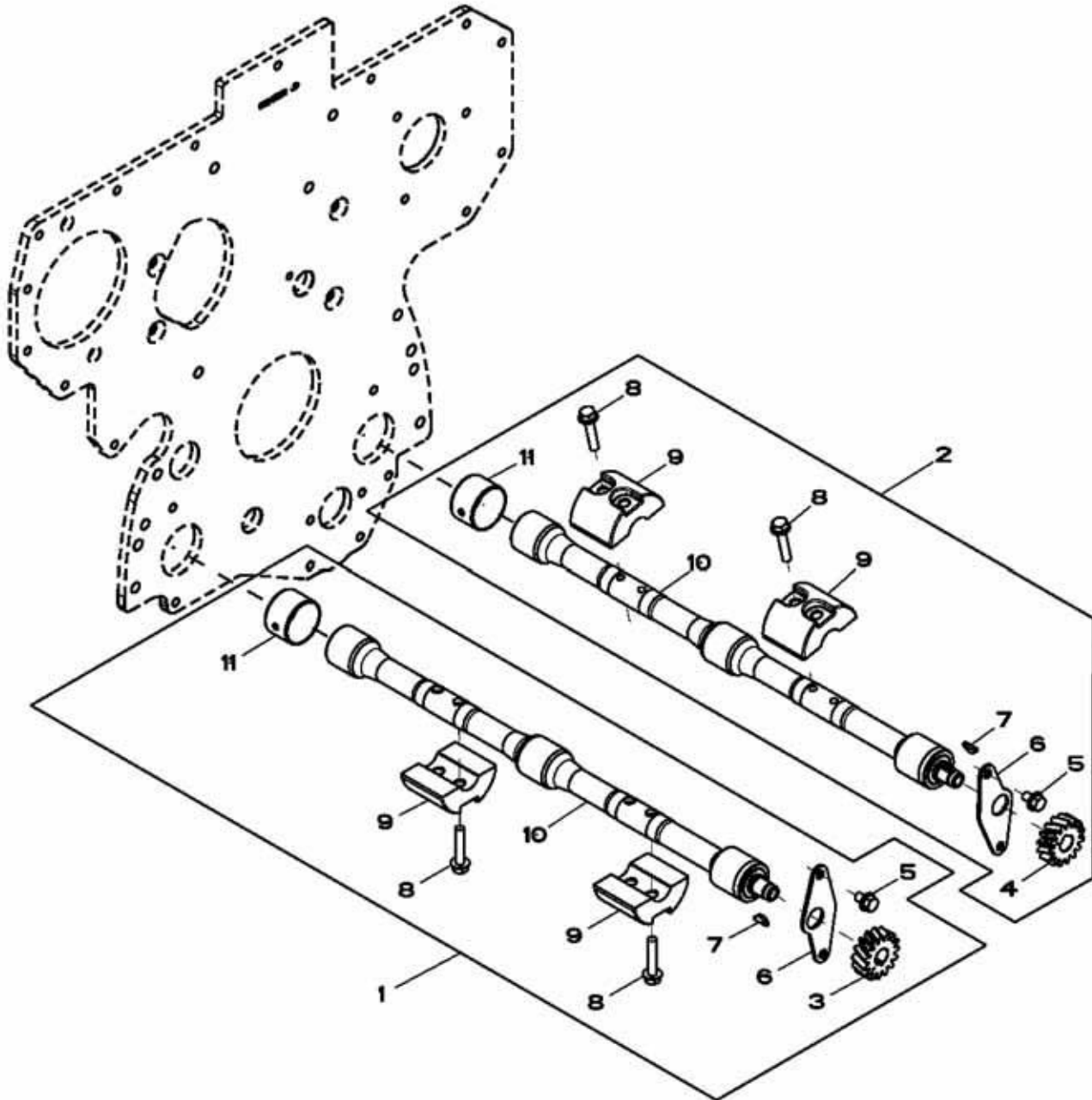


Bullet B260-H-F77B; B260-H-F81B & B260-H-F91B

TIMING GEAR COVER

ITEM	PART	DESCRIPTION	QTY	MODEL Or SERIAL #
1	099-00421	KIT	1	
2	099-00422	GASKET	1	
3	099-00423	FITTING	1	
4	099-00424	O-RING	1	
5	 COVER	1	
6	099-00426	O-RING	1	
7	099-00427	COVER	1	
8	099-00428	SCREW	3	
9	099-00323	SEAL	1	
10	099-00429	SCREW	1	
11	099-00430	SCREW	1	
12	099-00201	SCREW	1	
13	099-00431	SCREW	10	
14	099-00108	FLANGE NUT	6	
15	099-00432	SCREW	2	
16	099-00433	SCREW	8	
17	099-00434	WATER PUMP (ALSO ORDER ITEM 21 & 22)	1	
	099-00435	WATER PUMP REMAN	1	
18	098-00885	FITTING PLUG	1	
19	099-00300	O-RING	1	
20	 IMPELLER	1	
21	099-00044	SEAL	1	
22	099-00303	GASKET	1	
23	098-01176	INSERT (OR PLATE)	1	
24	099-00302	O-RING	1	
25	099-00437	SCREW	1	
26	099-00438	THRUST WASHER	1	
27	099-00439	GEAR	1	
28	099-00440	BUSHING	1	

BALANCER SHAFT



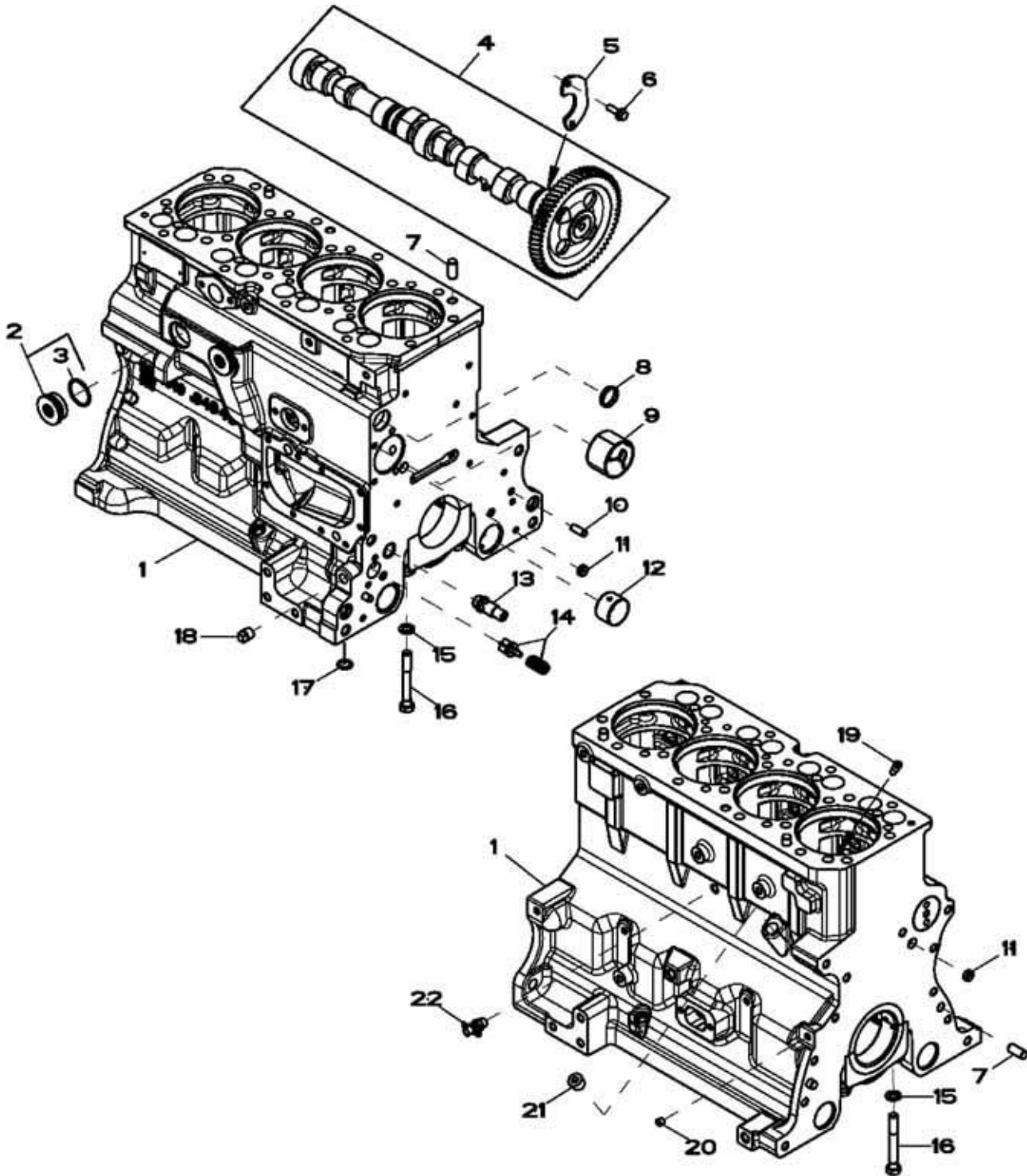


Bullet B260-H-F77B; B260-H-F81B & B260-H-F91B

BALANCER SHAFT

ITEM	PART NUMBER	DESCRIPTION	QTY	MODEL Or SERIAL #
1	099-00441	BALANCER SHAFT (RH KIT)	1	
2	099-00442	BALANCER SHAFT (LH KIT)	1	
3	099-00146	GEAR (RH)	1	
4	099-00141	GEAR (LH)	1	
5	099-00443	SCREW	1	
6	099-00142	PLATE	1	
7	099-00148	SHAFT KEY	1	
8	099-00444	SCREW	4	
9	099-00139	WEIGHT	2	
10	099-00165	BUSHING	3	

CYLINDER BLOCK





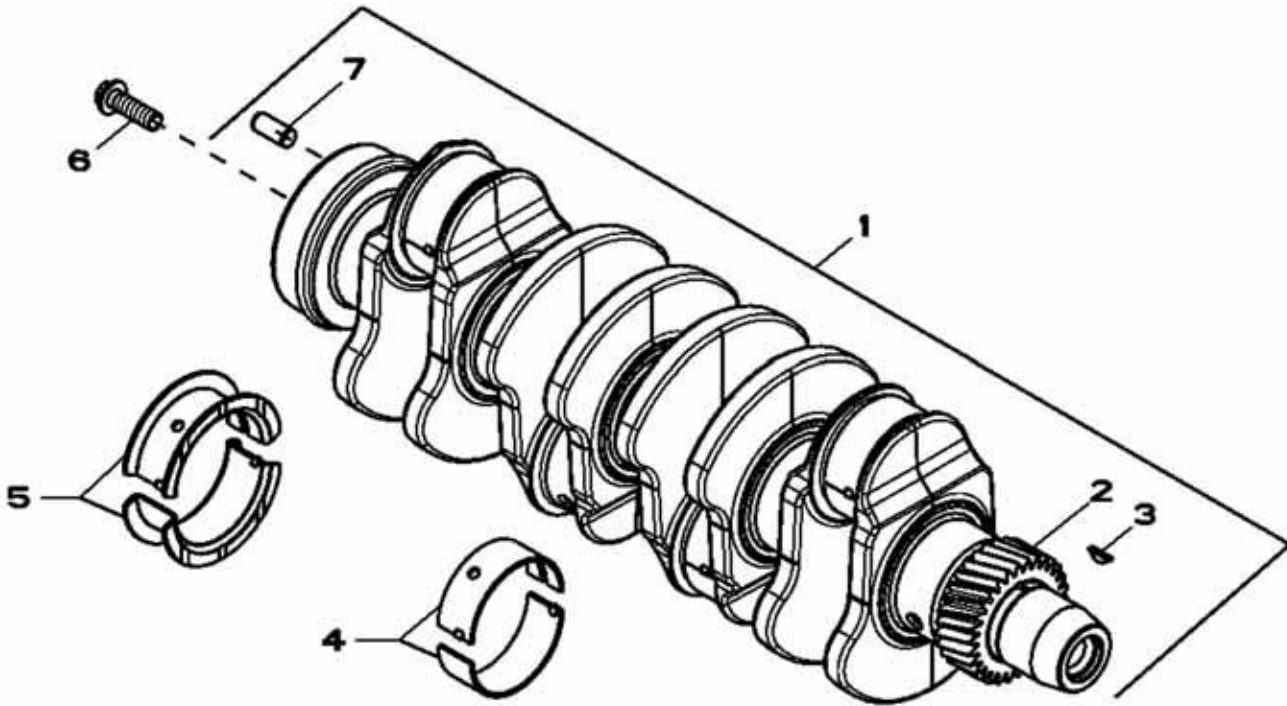
Bullet B260-H-F77B; B260-H-F81B & B260-H-F91B

CYLINDER BLOCK

ITEM	PART	DESCRIPTION	QTY	MODEL Or SERIAL #
1	*	* CYLINDER BLOCK (SEE SHORT BLOCK ASSEMBLY)	1	
2	099-00071	FITTING	2	
3	099-00066	O-RING	1	
4	099-00446	CAMSHAFT	1	
	099-00447	CAMSHAFT REMAN	1	
5	099-00160	PLATE	1	
6	099-00161	SCREW	2	
7	099-00153	DOWEL PIN	4	
8	099-00155	PLUG	1	
9	099-00159	BUSHING	1	
10	099-00166	DOWEL PIN	2	
11	099-00154	PLUG	2	
12	099-00165	BUSHING	6	
13	099-00448	BLEED VALVE	1	
14	099-00449	VALVE	1	
15	099-00171	WASHER	10	
16	099-00450	CAP SCREW	10	
17	099-00451	O-RING	1	
18	099-00452	PIPE PLUG	1	
19	099-00174	ORIFICE	4	
20	099-00453	PIPE PLUG	5	
21	099-00454	PIPE PLUG	1	
22	099-00167	DRAIN VALVE	1	

* Note: See Section 12 - 85

CRANKSHAFT AND BEARINGS



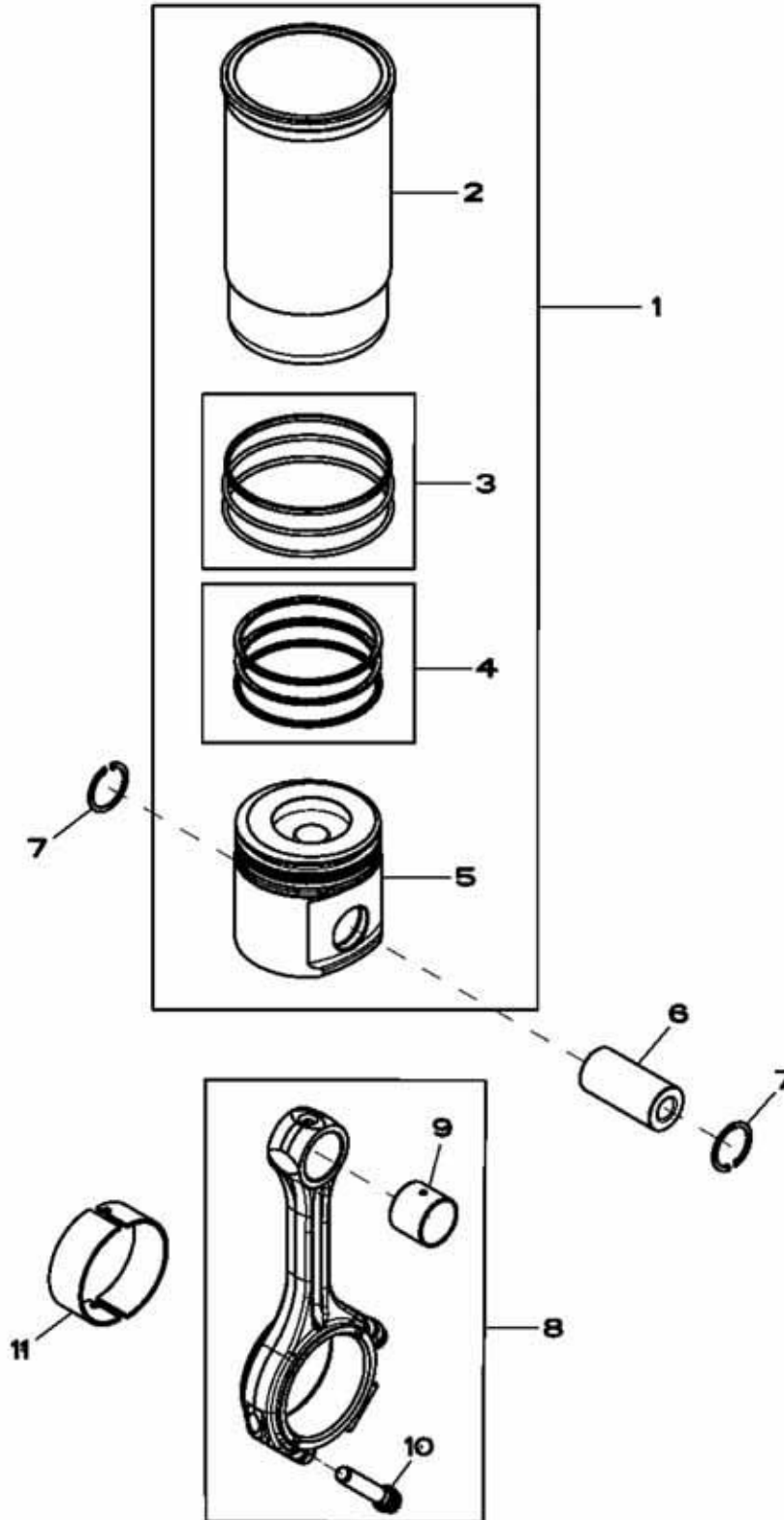


Bullet B260-H-F77B; B260-H-F81B & B260-H-F91B

CRANKSHAFT AND BEARINGS

ITEM	PART NUMBER	DESCRIPTION	QTY	MODEL Or SERIAL #
1	099-00455	CRANKSHAFT (INCLUDES ITEMS 2,3 & 7)	1	
	099-00456	CRANKSHAFT REMAN	1	
2	099-00236	GEAR	1	
3	099-00235	SHAFT KEY	1	
4	099-00238	BEARING KIT	4	
	099-00239	BEARING	AS REQUIRED	
5	099-00240	BEARING KIT	1	
	099-00241	THRUST BEARING	AS REQUIRED	
6	099-00018	BOLT	4	
7	099-00153	DOWEL PIN	1	

CONNECTING RODS AND PISTONS



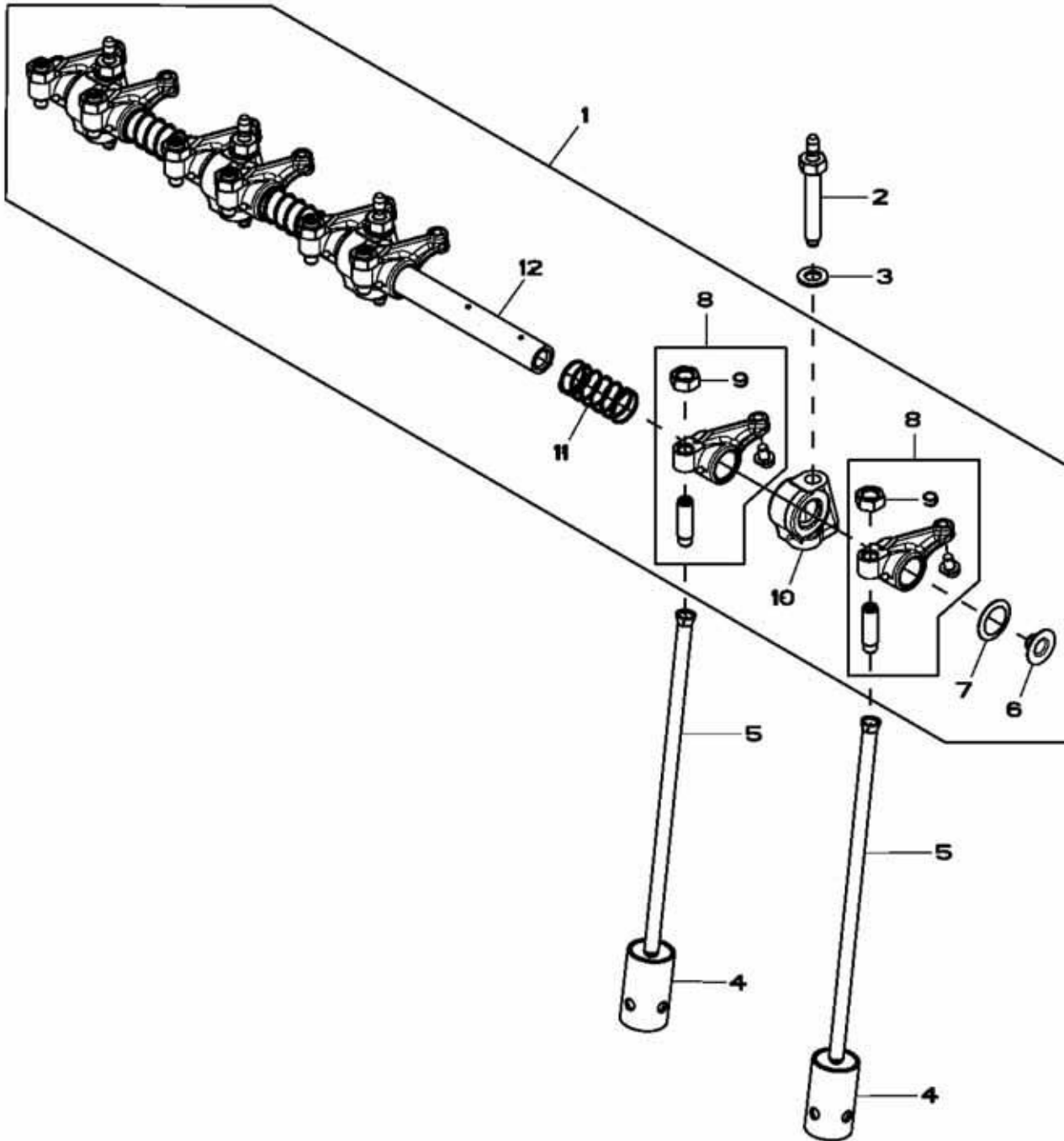


Inc. *Bullet B260-H-F77B; B260-H-F81B & B260-H-F91B*

CONNECTING RODS AND PISTONS

ITEM	PART NUMBER	DESCRIPTION	QTY	MODEL Or SERIAL #
1	099-00457	PISTON-LINER KIT	4	
2	 CYLINDER LINER (IN KIT ONLY, ITEM 1)	1	
3	099-00459	O-RING KIT	1	
4	099-00460	PISTON RING KIT	1	
5	 PISTON (IN KIT ONLY, ITEM 4)	1	
6	099-00462	PISTON PIN	4	
7	099-00463	SNAP RING	8	
8	099-00464	CONNECTING ROD	4	
9	099-00465	BUSHING	1	
10	099-00466	SCREW	2	
11	099-00467	BEARING	4	

ROCKER ARM, SHAFT, TAPPET, PUSH ROD



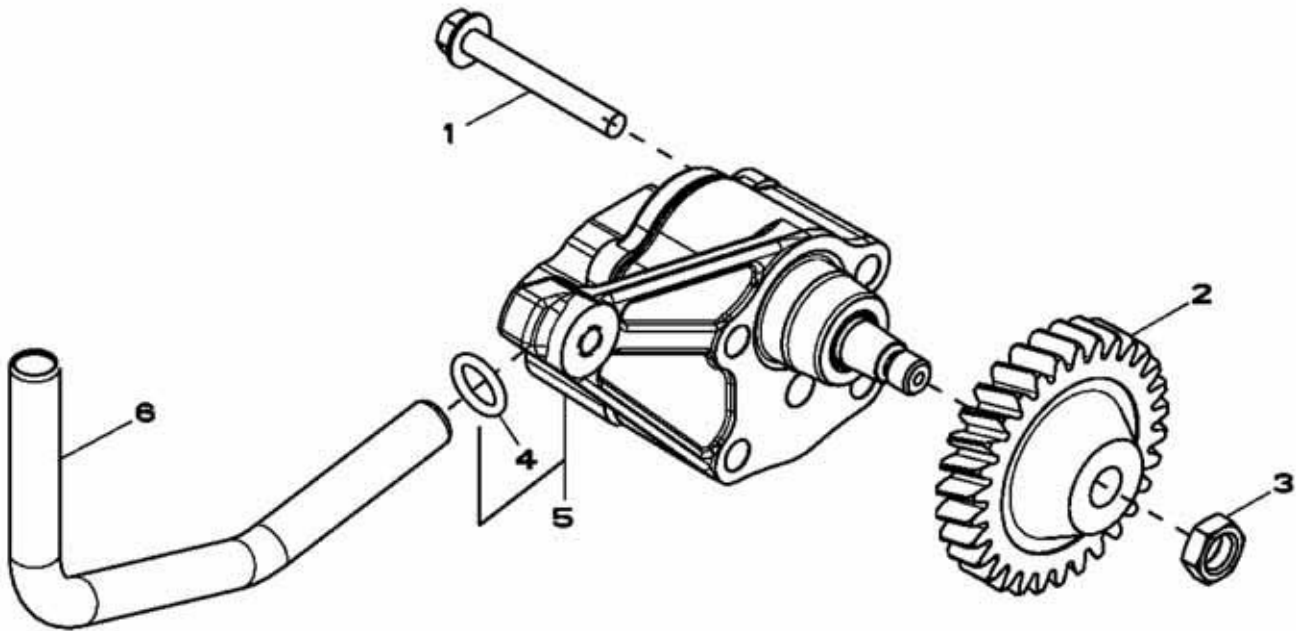


Inc. *Bullet B260-H-F77B; B260-H-F81B & B260-H-F91B*

ROCKER ARM, SHAFT, TAPPET, PUSH ROD

ITEM	PART	DESCRIPTION	QTY	MODEL Or SERIAL #
1	099-00468	ROCKER ARM SHAFT	1	
2	099-00469	STUD	4	
3	099-00470	WASHER	4	
4	099-00471	CAM FOLLOWER	8	
5	099-00472	PUSH ROD	8	
6	099-00473	PLUG	2	
7	099-00474	WASHER	2	
8	099-00475	ROCKER ARM	8	
9	099-00476	NUT	1	
10	099-00477	SUPPORT	4	
11	099-00478	SPRING	3	
12	099-00479	ROCKER ARM SHAFT	1	

OIL PUMP



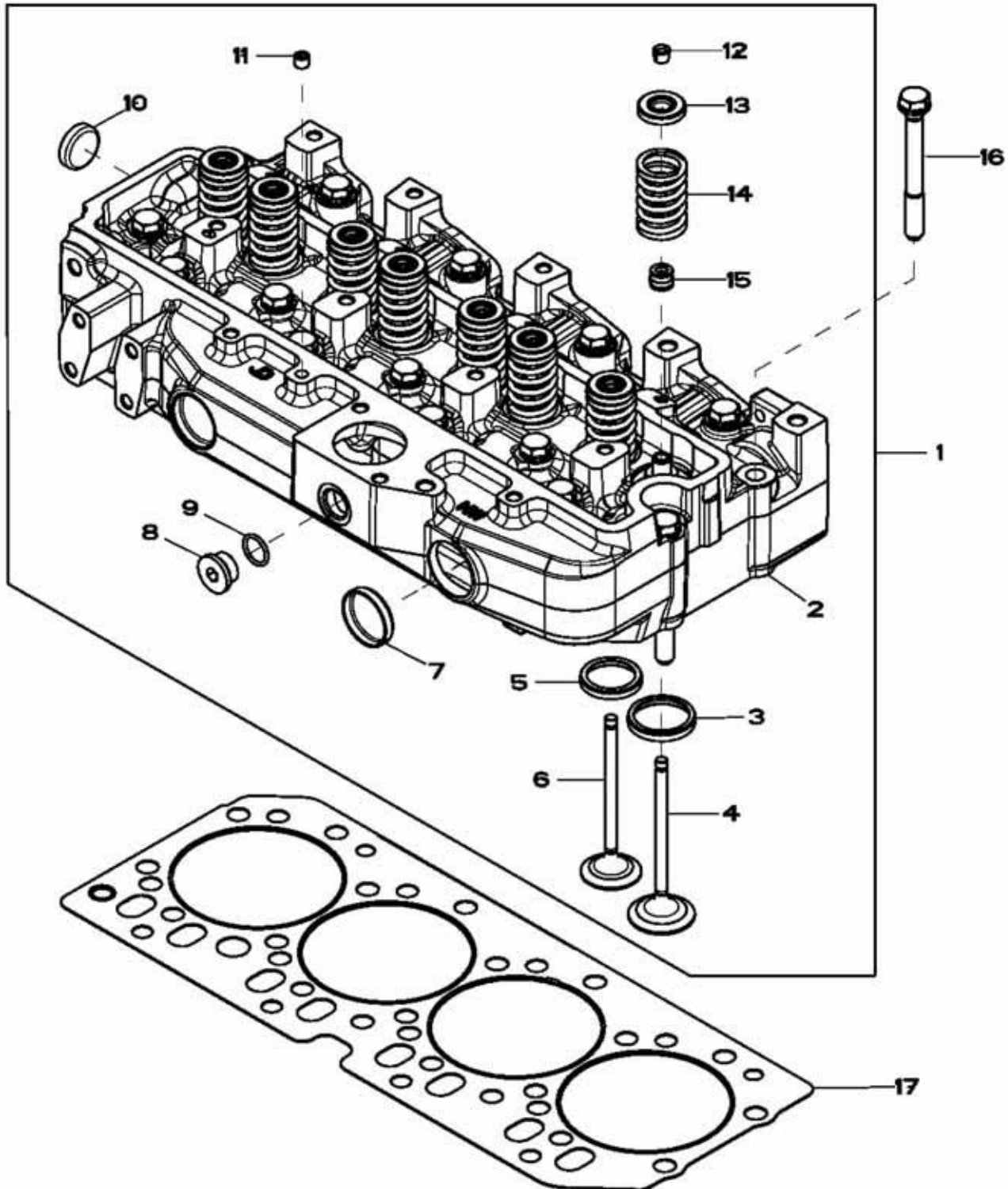


Bullet B260-H-F77B; B260-H-F81B & B260-H-F91B

OIL PUMP

ITEM	PART NUMBER	DESCRIPTION	QTY	MODEL Or SERIAL #
1	099-00480	SCREW	2	
2	099-00481	GEAR	1	
3	099-00482	NUT	1	
4	099-00483	O-RING	1	
5	099-00484	OIL PUMP	1	
	099-00485	OIL PUMP REMAN	AS REQUIRED	
6	099-00486	TUBE	1	

CYLINDER HEAD



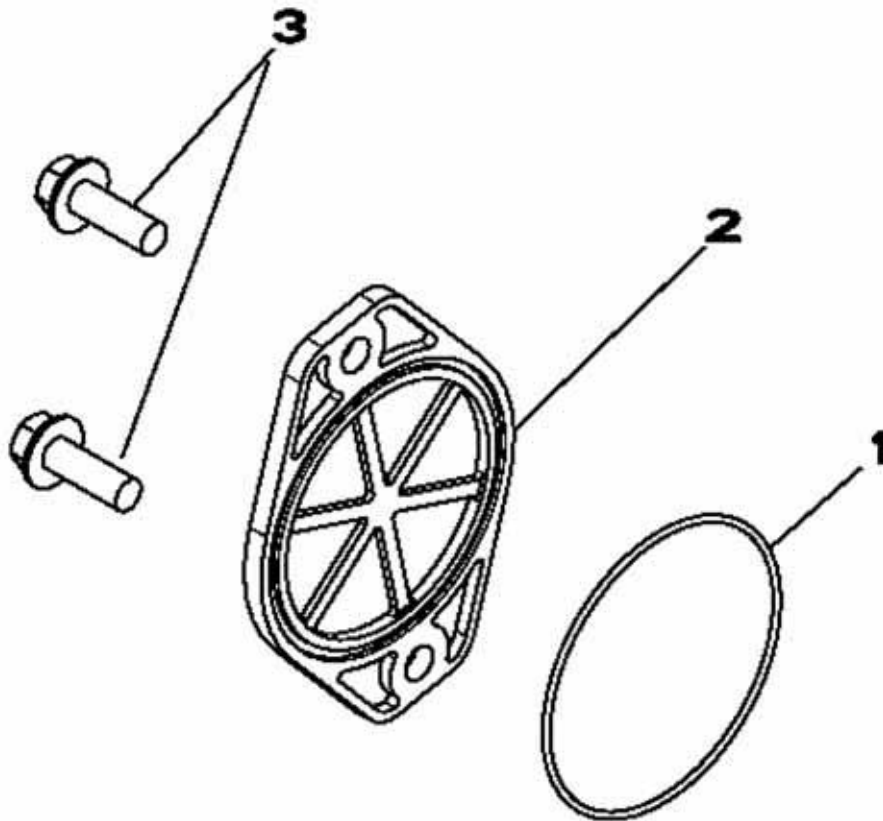


Bullet B260-H-F77B; B260-H-F81B & B260-H-F91B

CYLINDER HEAD

ITEM	PART	DESCRIPTION	QTY	MODEL Or SERIAL #
1	099-00487	CYLINDER HEAD	1	
	099-00488	CYLINDER HEAD REMAN	1	
2	 CYLINDER HEAD (ORDER ITEM 1 NSEP)	1	
3	099-00490	VALVE SEAT INSERT (INTAKE VALVE)	4	
4	099-00256	INTAKE VALVE (OD STD)	4	
	099-00257	INTAKE VALVE (OS +.015")	AS REQUIRED	
	099-00258	INTAKE VALVE (OS +.030")	AS REQUIRED	
5	099-00491	VALVE SEAT INSERT (EXHAUST VALVE)	4	
6	099-00253	EXHAUST VALVE (OD STD)	4	
	099-00254	EXHAUST VALVE (OS +.015")	AS REQUIRED	
	099-00255	EXHAUST VALVE (OS +.030")	AS REQUIRED	
7	099-00252	PLUG	2	
8	099-00247	FITTING PLUG	1	
9	099-00248	O-RING	1	
10	099-00249	PLUG	1	
11	099-00492	PIPE PLUG	AS REQUIRED	
12	099-00244	RETAINER	16	
13	099-00245	ROTATOR	8	
14	099-00246	SPRING	8	
15	099-00260	SEAL	8	
16	099-00243	CAP SCREW	18	
17	098-00893	ENGINE CYLINDER HEAD GASKET	1	

AUXILIARY DRIVE



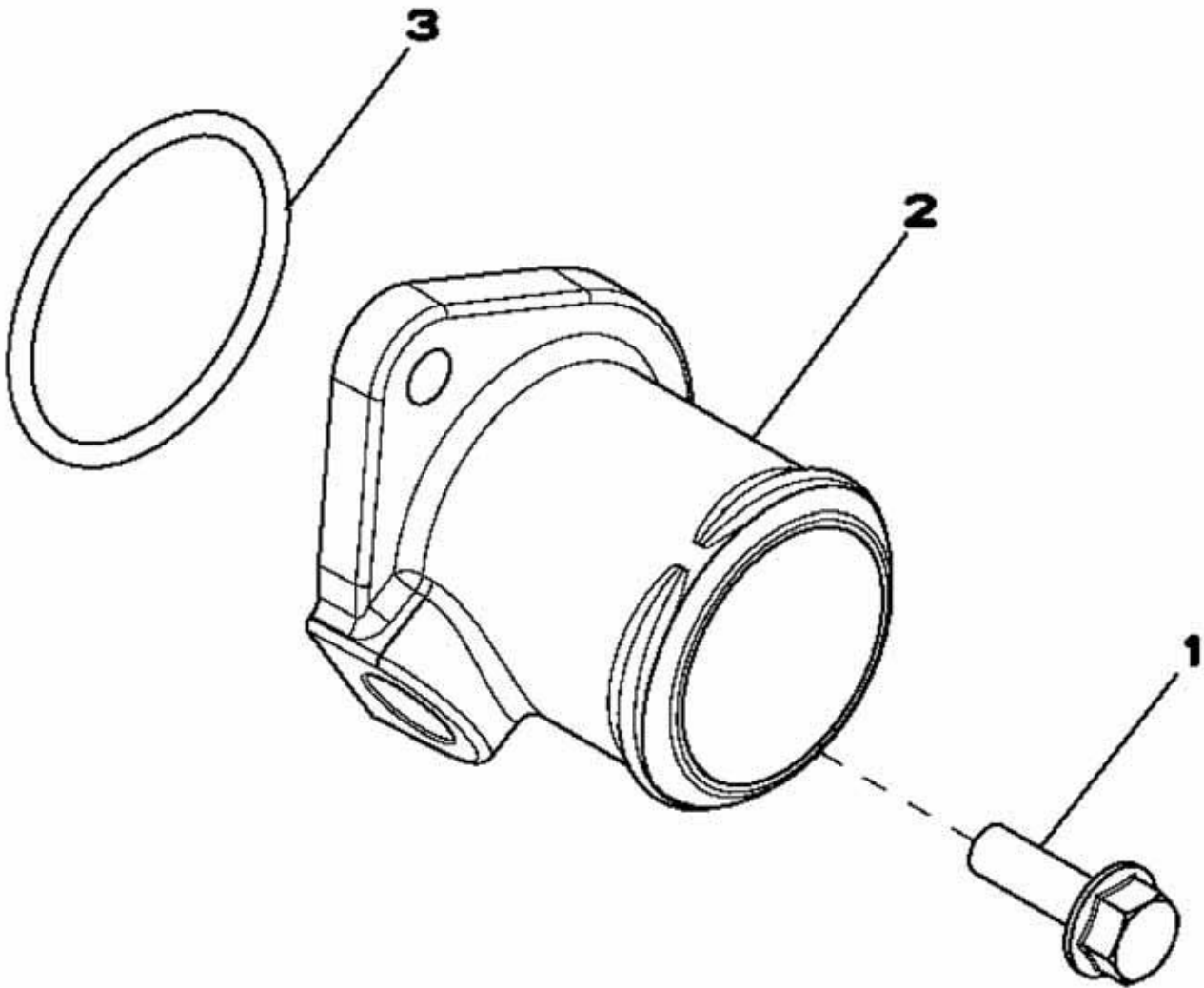


Bullet B260-H-F77B; B260-H-F81B & B260-H-F91B

AUXILIARY DRIVE

ITEM	PART NUMBER	DESCRIPTION	QTY	MODEL Or SERIAL #
1	099-00193	O-RING	1	
2	099-00195	COVER	1	
3	099-00493	SCREW	2	

WATER PUMP INLET



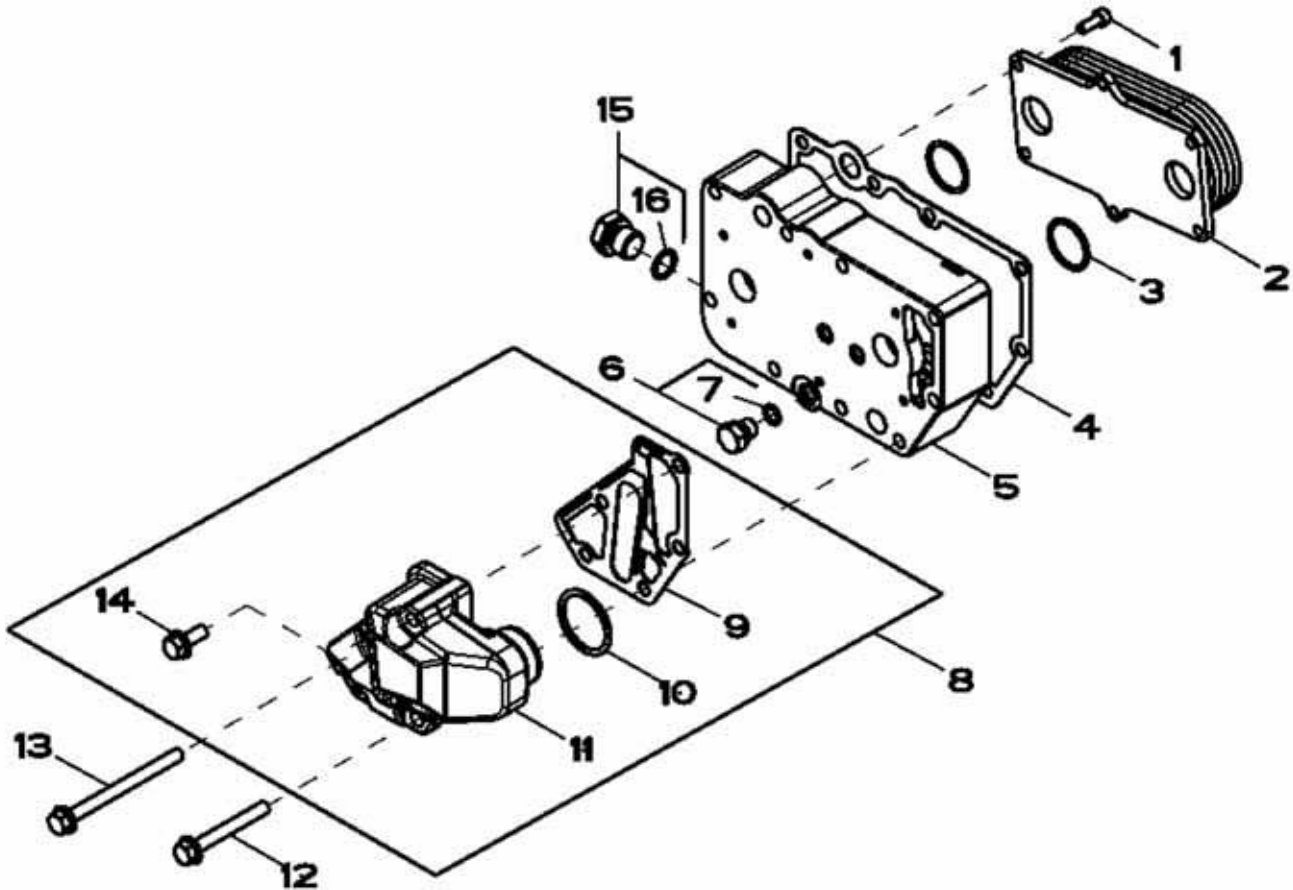


Bullet B260-H-F77B; B260-H-F81B & B260-H-F91B

WATER PUMP INLET

ITEM	PART NUMBER	DESCRIPTION	QTY	MODEL Or SERIAL #
1	099-00036	SCREW	2	
2	099-00196	HOUSING	1	
3	099-00197	O-RING	1	

OIL COOLER



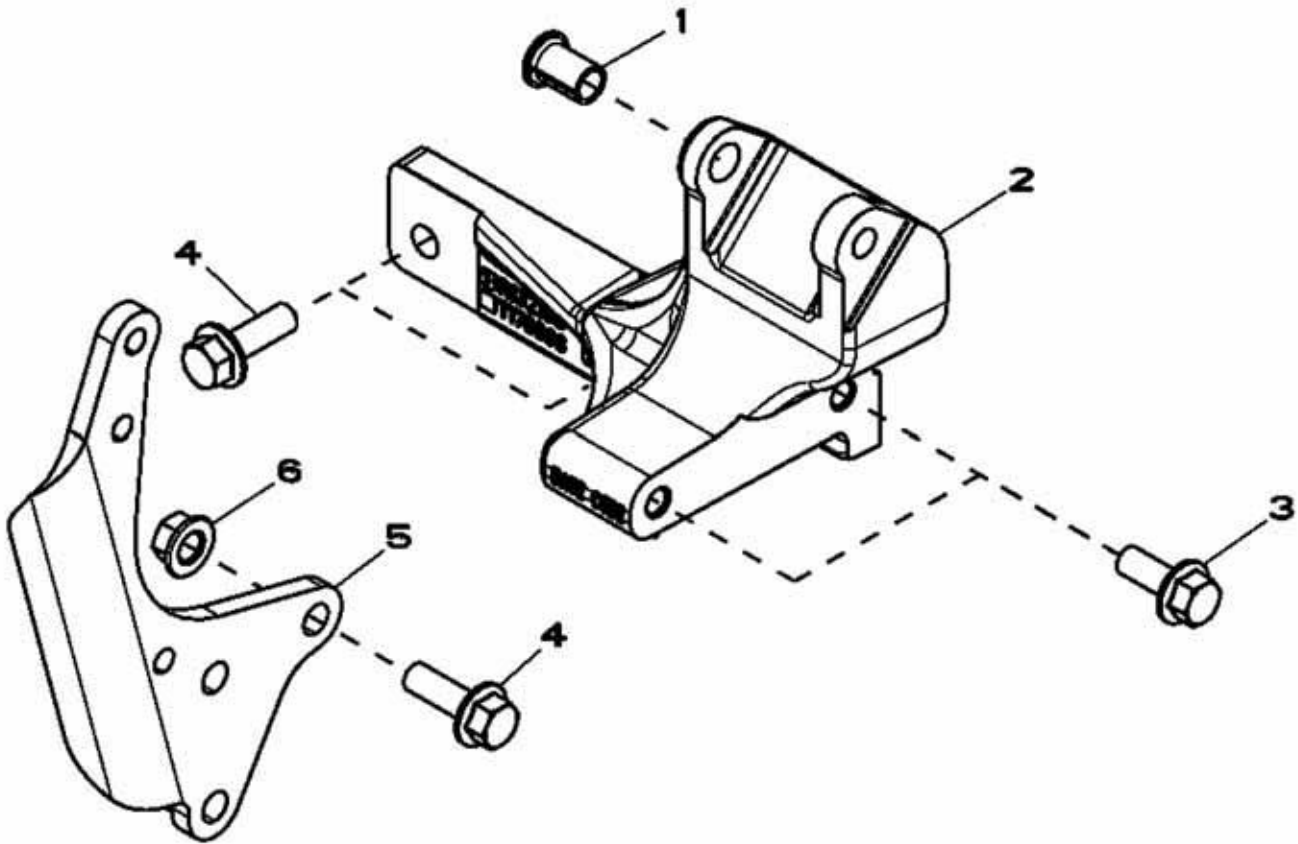


Bullet B260-H-F77B; B260-H-F81B & B260-H-F91B

OIL COOLER

ITEM	PART	DESCRIPTION	QTY	MODEL Or SERIAL #
1	099-00494	SCREW	6	
2	099-00495	OIL COOLER (5 PLATES)	1	
3	099-00299	O-RING	2	
4	099-00298	GASKET	1	
5	099-00496	HOUSING	1	
6	099-00102	FITTING PLUG	1	
7	099-00181	O-RING	1	
8	099-00497	ADAPTER FITTING (KIT)	1	
9	099-00301	GASKET	1	
10	099-00302	O-RING	1	
11	 INTERMEDIATE HOUSING (ORDER ITEM 8, NSEP)	1	
12	099-00264	SCREW	2	
13	099-00499	SCREW	2	
14	099-00010	SCREW	1	
15	098-00885	FITTING PLUG	1	
16	099-00300	O-RING	1	

ALTERNATOR BRACKETS



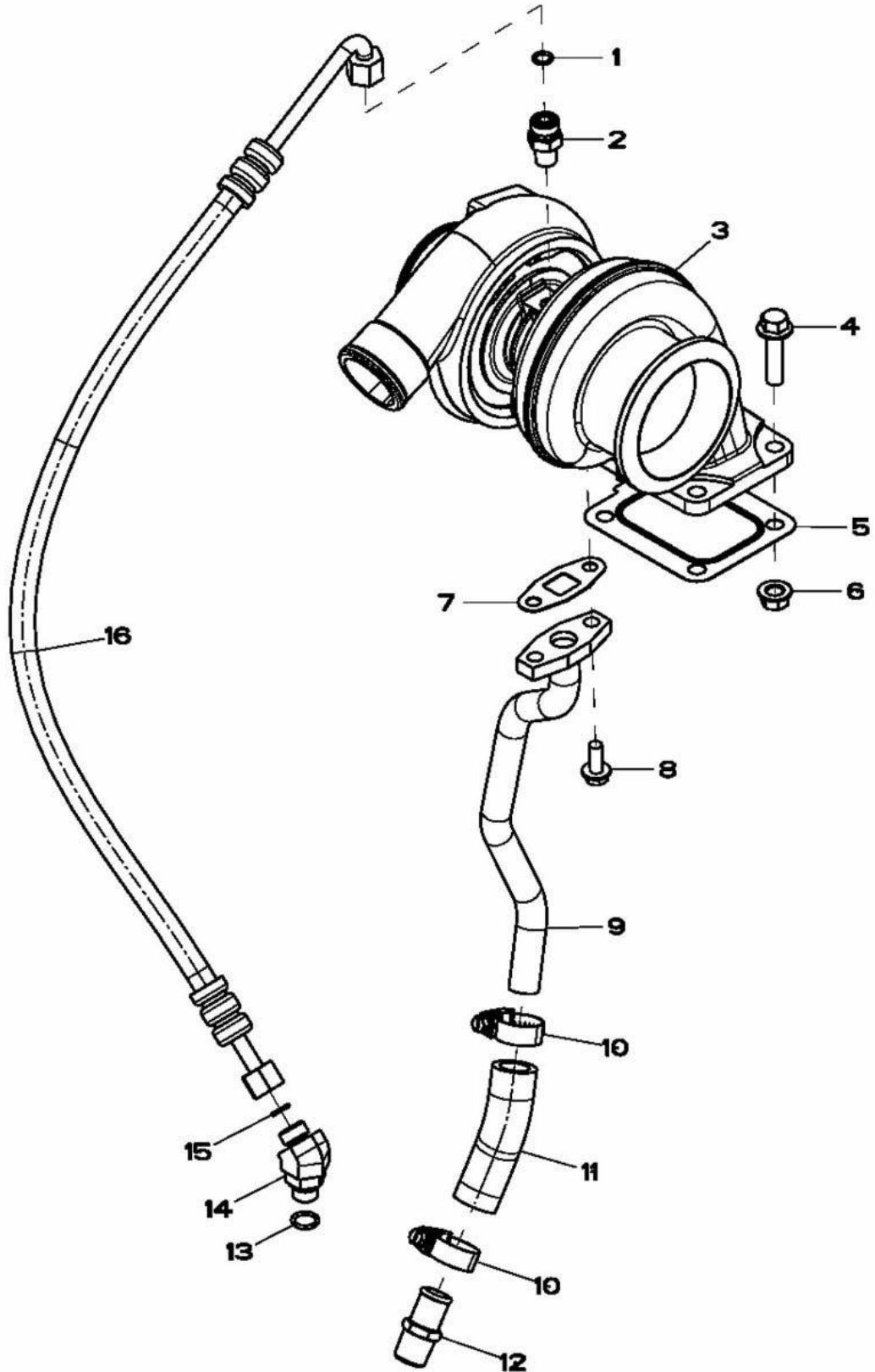


Bullet B260-H-F77B; B260-H-F81B & B260-H-F91B

ALTERNATOR BRACKETS

ITEM	PART NUMBER	DESCRIPTION	QTY	MODEL Or SERIAL #
1	099-00198	BUSHING	1	
2	098-00919	BRACKET	1	
3	099-00105	SCREW	1	
4	099-00049	SCREW	2	
5	098-00920	STRAP	2	
6	099-00108	FLANGE NUT	5	

TURBOCHARGER



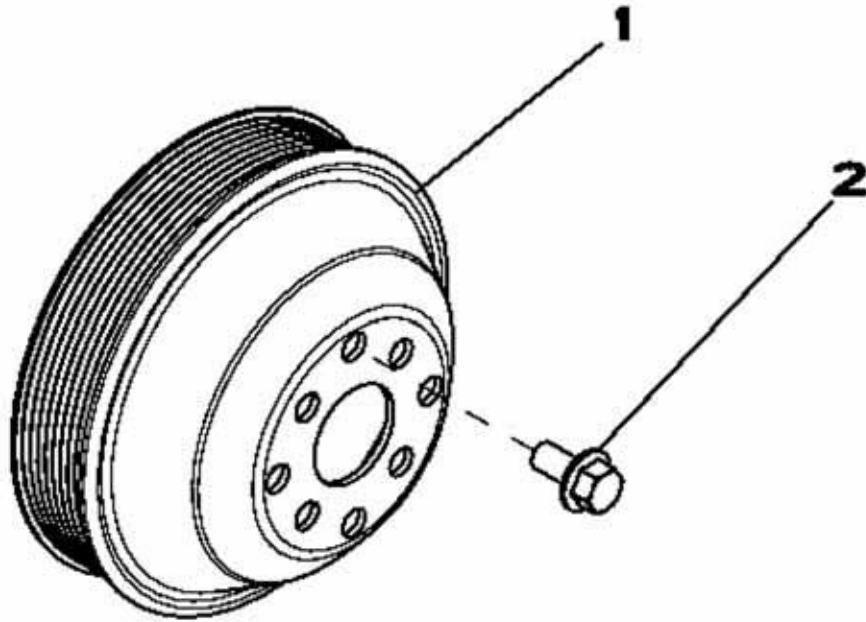


Bullet B260-H-F77B; B260-H-F81B & B260-H-F91B

TURBOCHARGER

ITEM	PART	DESCRIPTION	QTY	MODEL Or SERIAL #
1	099-00500	O-RING	1	
2	099-00501	ADAPTER FITTING	1	
3	099-00502	TURBOCHARGER	1	
	099-00503	STURBOCHARGER REMAN	1	
4	099-00504	SCREW	4	
5	099-00505	GASKET	1	
6	099-00108	FLANGE NUT	4	
7	099-00506	GASKET	1	
8	099-00507	SCREW	2	
9	099-00508	OIL LINE	1	
10	099-00509	CLAMP	2	
11	099-00510	HOSE	1	
12	099-00511	HOSE FITTING	1	
13	099-00263	O-RING	1	
14	099-00512	ELBOW FITTING	1	
15	099-00513	O-RING	1	
16	099-00514	HYDRAULIC HOSE	1	

FAN PULLEY



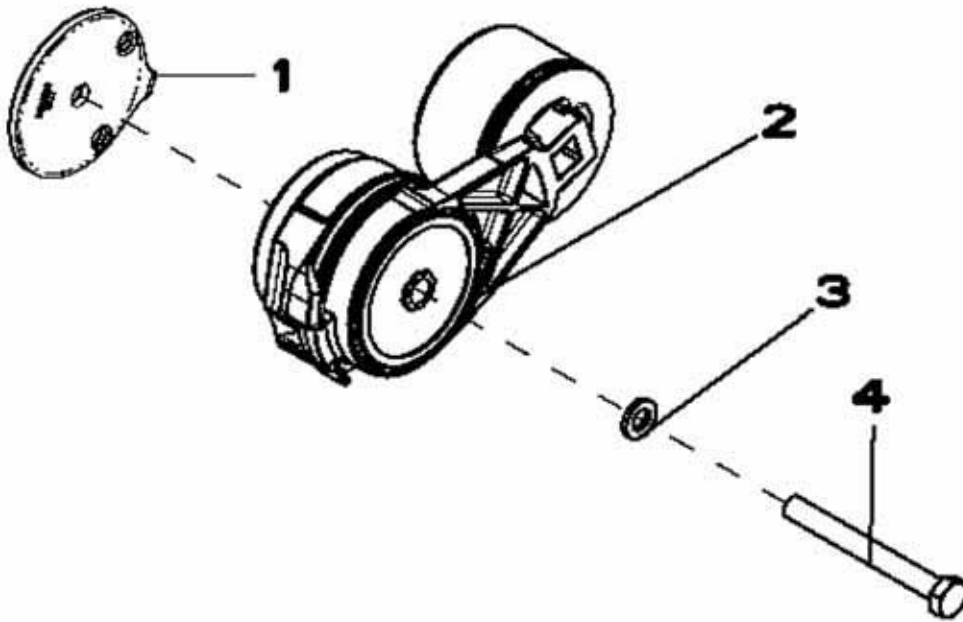


Bullet B260-H-F77B; B260-H-F81B & B260-H-F91B

FAN PULLEY

ITEM	PART NUMBER	DESCRIPTION	QTY	MODEL Or SERIAL #
1	098-00922	PULLEY	1	
2	099-00204	SCREW	4	

BELT TENSIONER



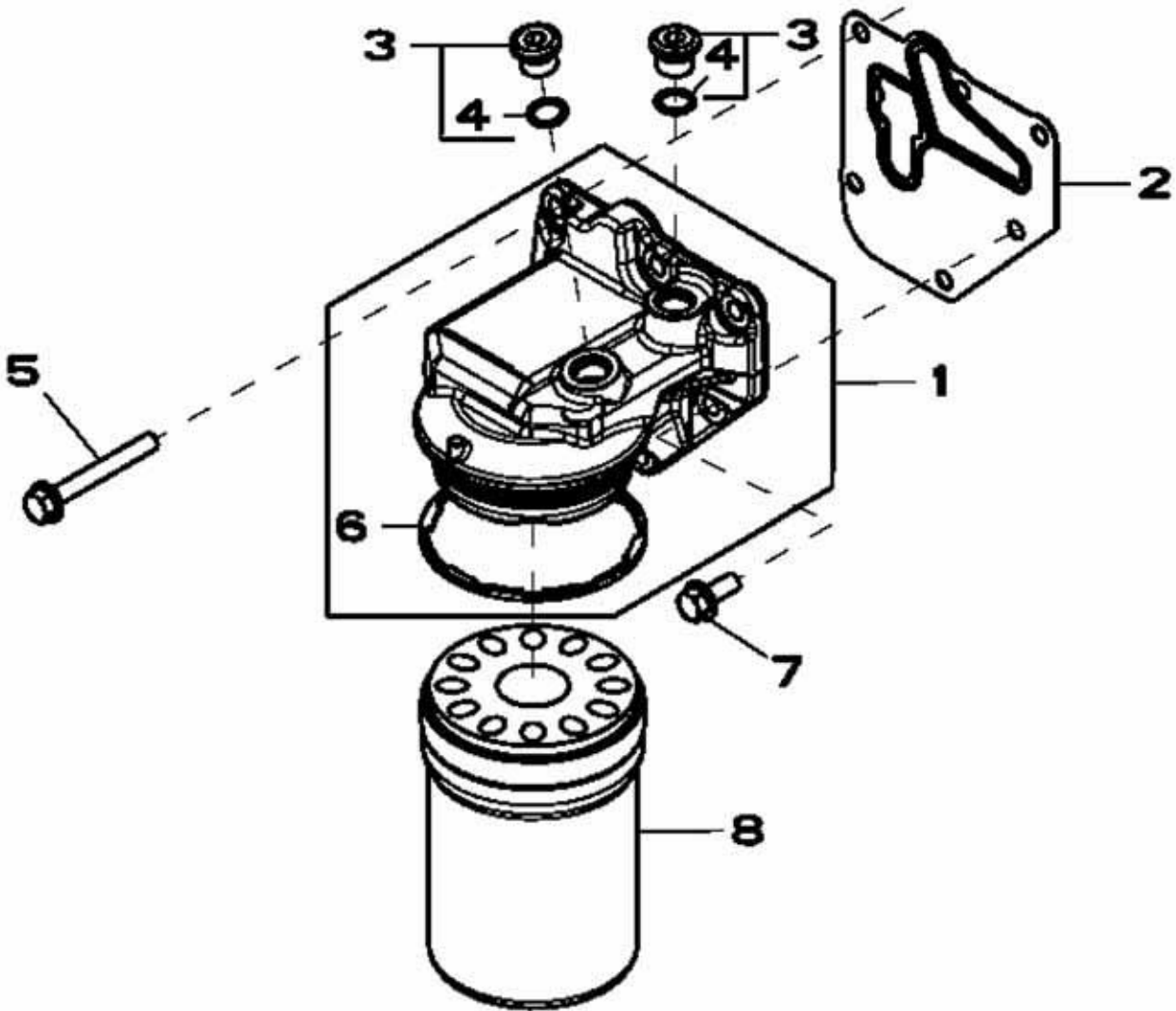


Inc. Bullet B260-H-F77B; B260-H-F81B & B260-H-F91B

BELT TENSIONER

ITEM	PART NUMBER	DESCRIPTION	QTY	MODEL Or SERIAL #
1	099-00296S	SPACER (SPACER FOR 099-00296)	1	
2	099-00296	BELT TENSIONER	1	
3	099-00515	WASHER	1	
4	099-00516	CAP SCREW	1	

OIL FILTER



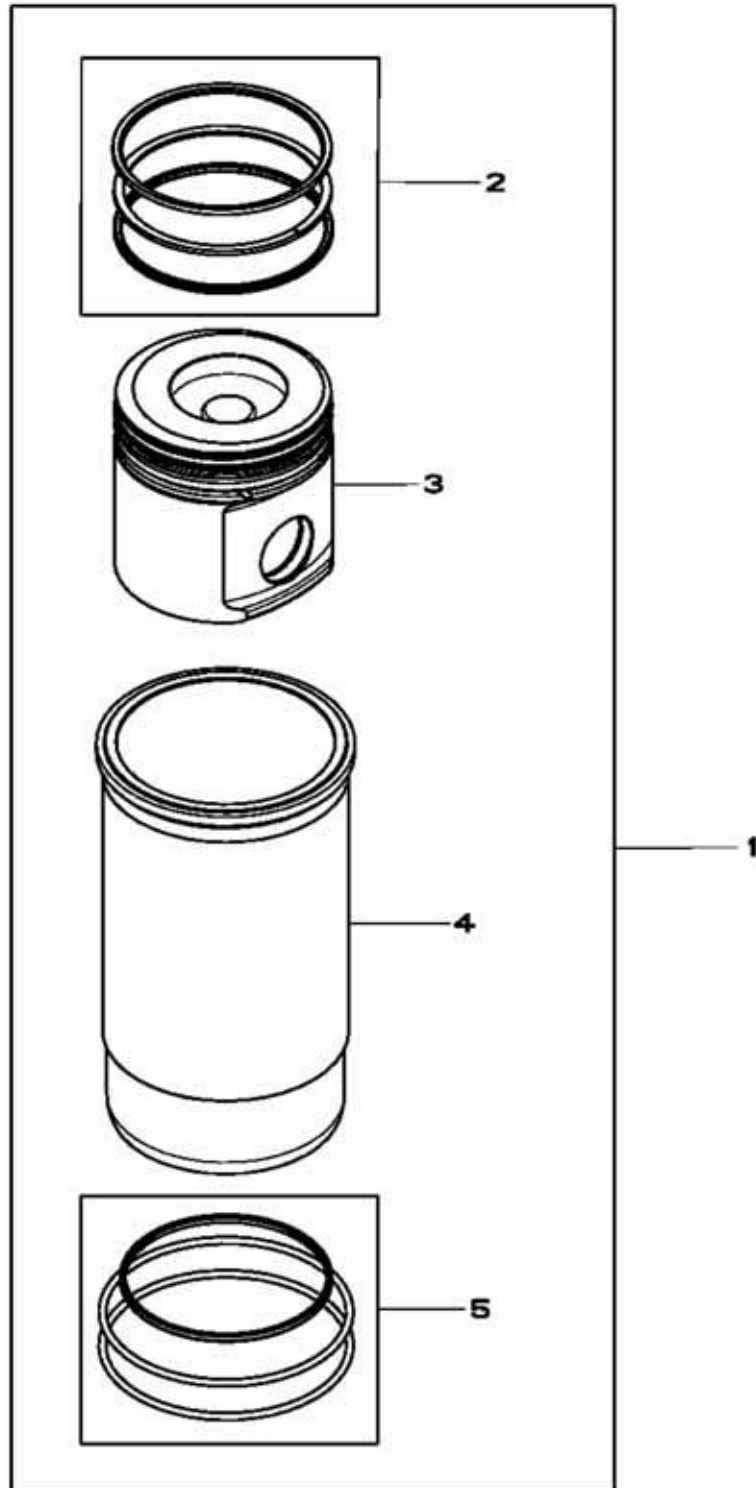


Bullet B260-H-F77B; B260-H-F81B & B260-H-F91B

OIL FILTER

ITEM	PART NUMBER	DESCRIPTION	QTY	MODEL Or SERIAL #
1	099-00314	FILTER HEAD	1	
2	099-00517	GASKET	1	
3	099-00262	DRAIN PLUG	2	
4	099-00263	O-RING	1	
5	099-00264	SCREW	5	
6	099-00324	SEAL	1	
7	099-00010	SCREW	1	
8	099-00290	OIL FILTER	1	

PISTON AND LINER-KIT



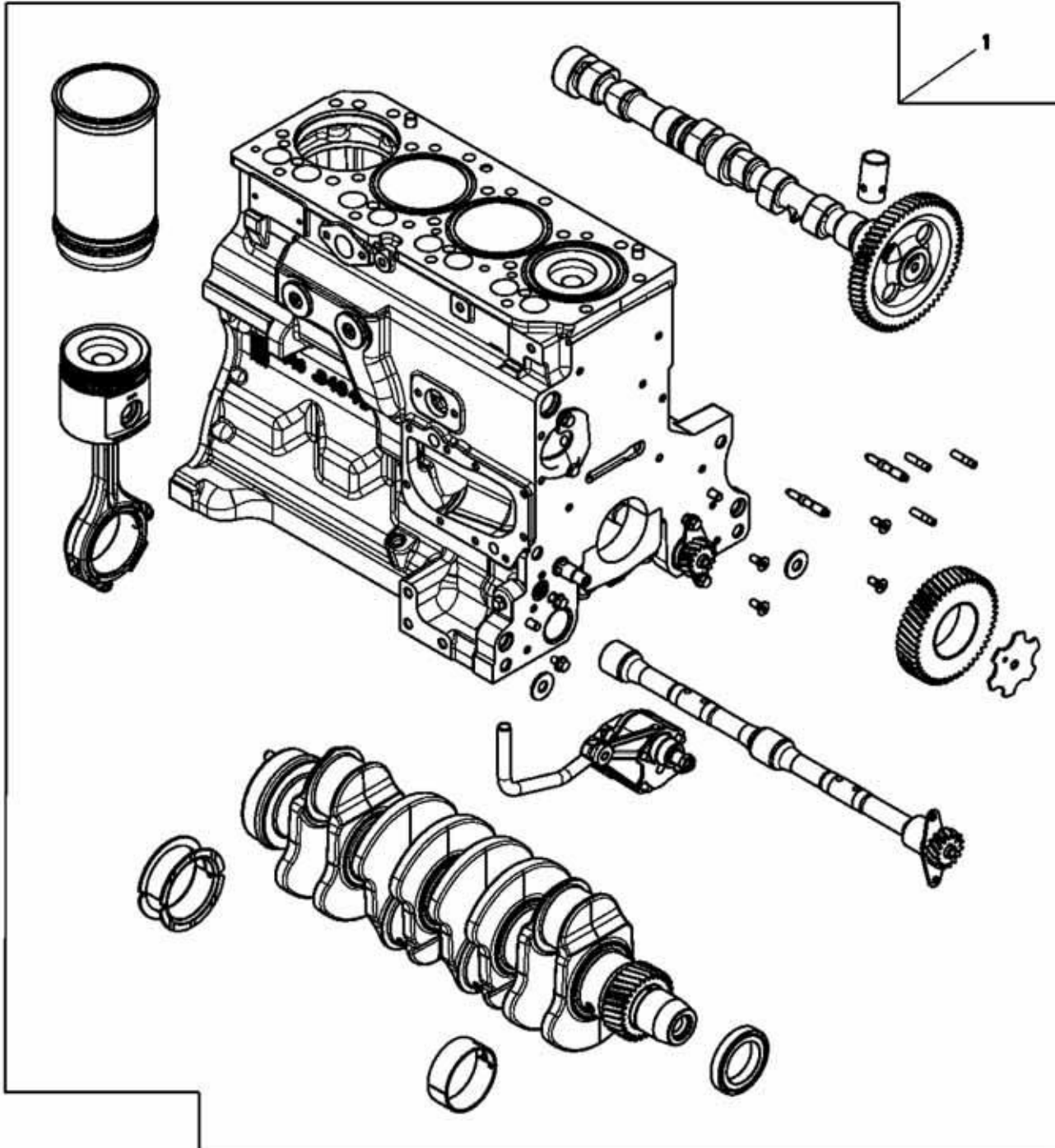


Bullet B260-H-F77B; B260-H-F81B & B260-H-F91B

PISTON AND LINER-KIT

ITEM	PART NUMBER	DESCRIPTION	QTY	MODEL Or SERIAL #
1	099-00518	PISTON-LINER KIT (INCL. INSTRUCTIONS)	4	
2	099-00519	PISTON RING KIT	1	
3	 PISTON (ORDER ITEM 2 NSEP)	1	
4	 CYLINDER LINER (ORDER ITEM 1 NSEP)	1	
5	099-00522	O-RING KIT	1	

SHORT BLOCK ASSEMBLY



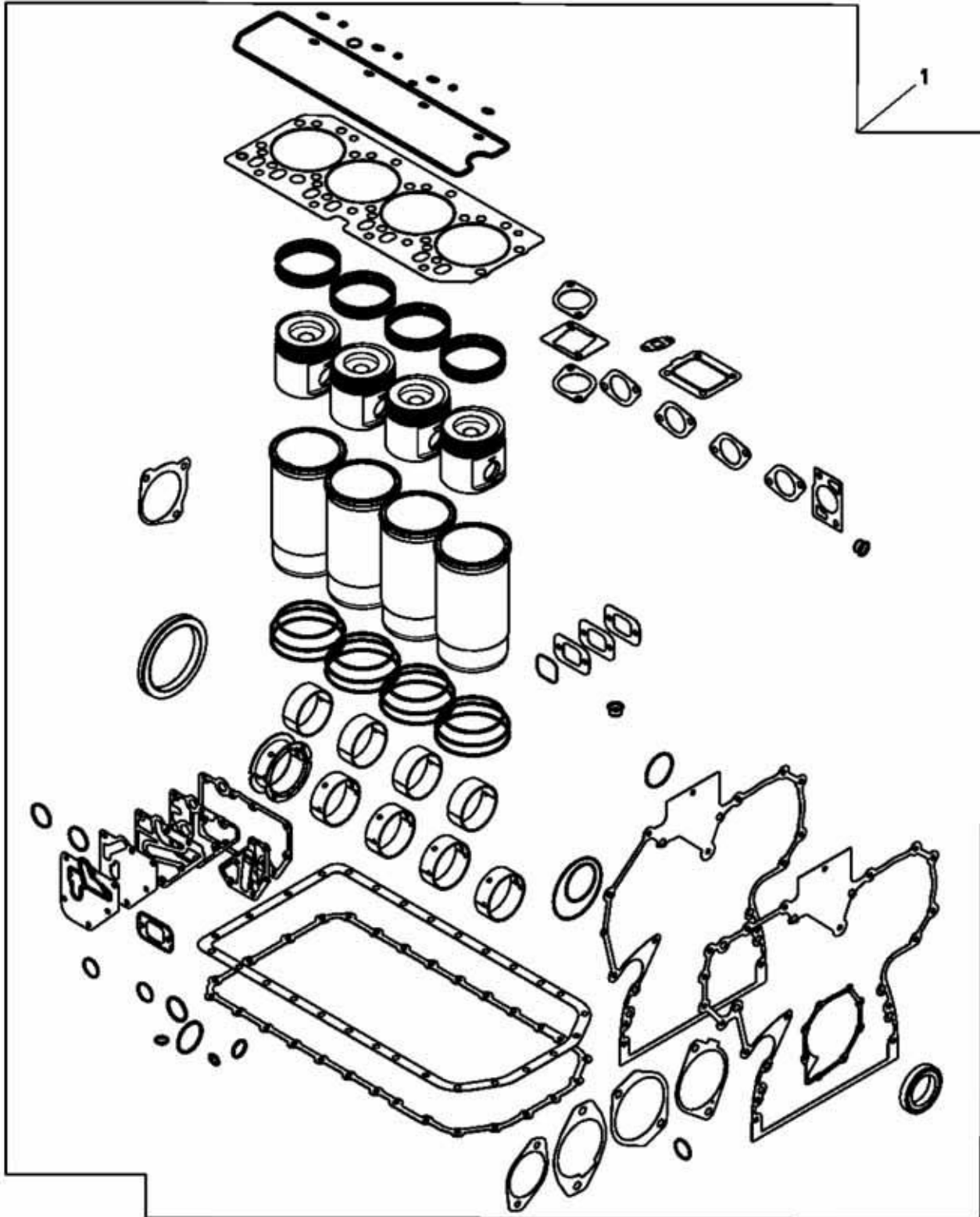


Bullet B260-H-F77B; B260-H-F81B & B260-H-F91B

SHORT BLOCK ASSEMBLY

ITEM	PART NUMBER	DESCRIPTION	QTY	MODEL Or SERIAL #
1	099-00523	SHORT BLOCK ASSEMBLY	1	

ENGINE OVERHAUL KIT



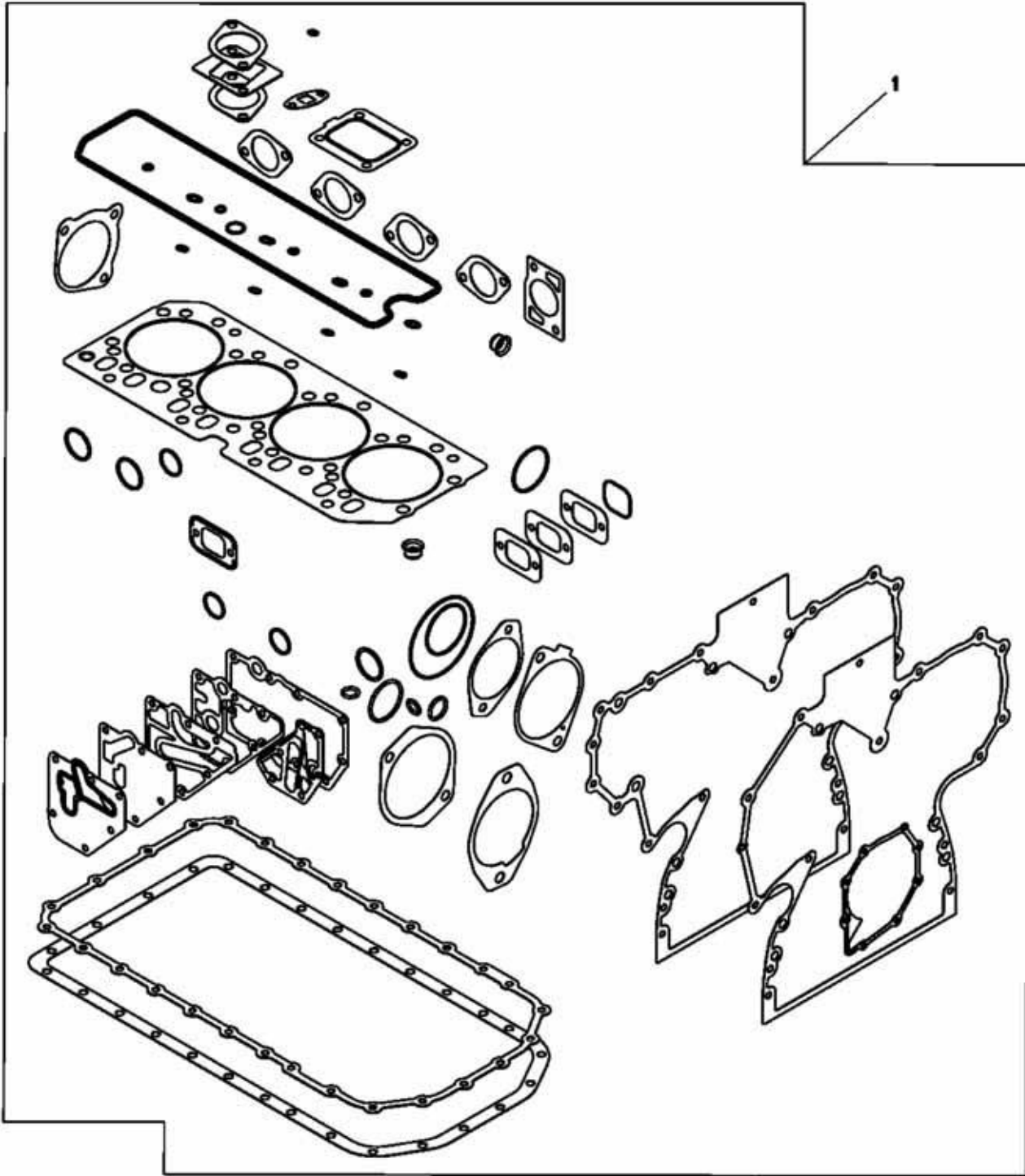


Bullet B260-H-F77B; B260-H-F81B & B260-H-F91B

ENGINE OVERHAUL KIT

ITEM	PART NUMBER	DESCRIPTION	QTY	MODEL Or SERIAL #
1	099-00524	ENGINE OVERHAUL KIT	1	

ENGINE GASKET KIT



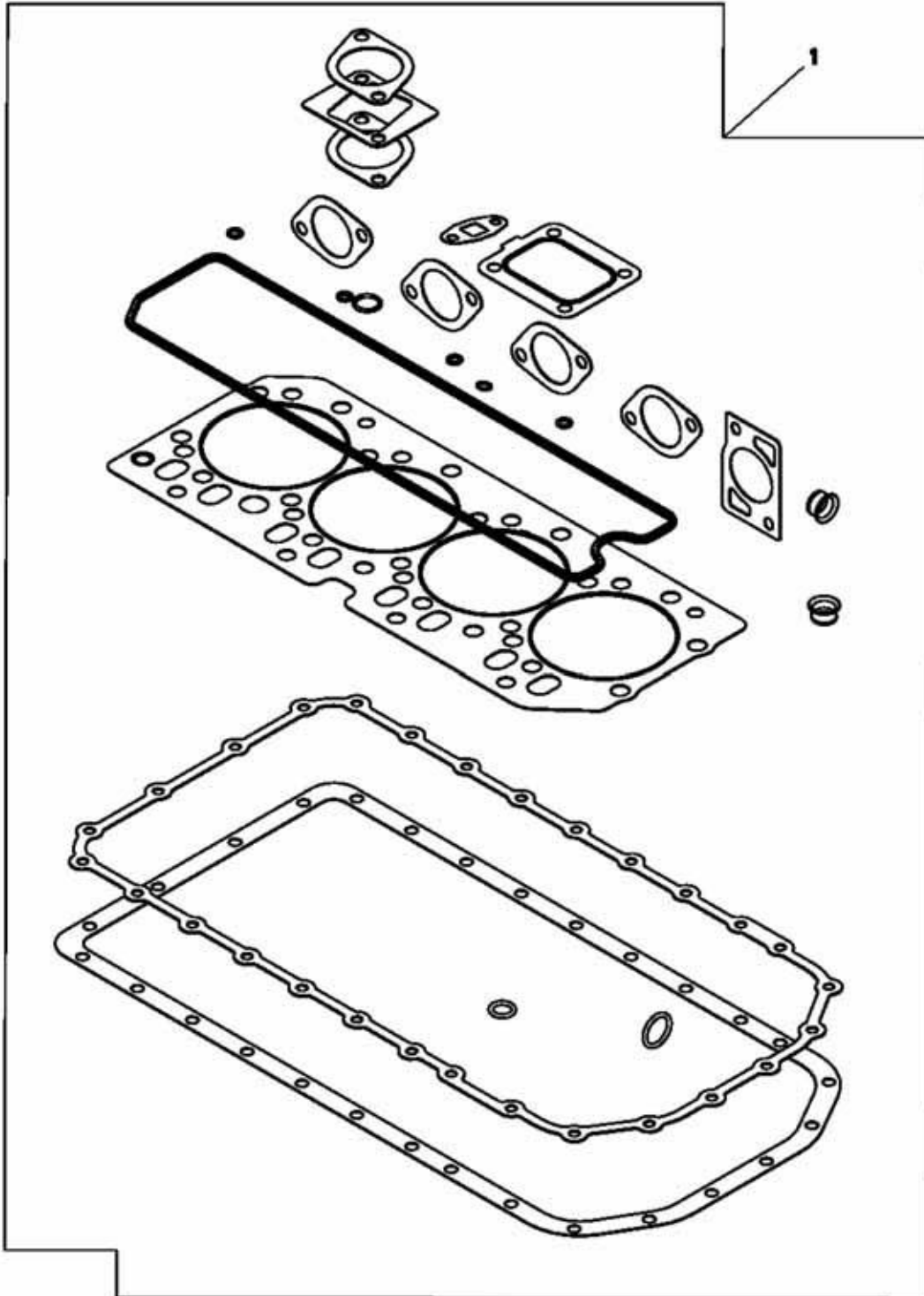


Bullet B260-H-F77B; B260-H-F81B & B260-H-F91B

ENGINE GASKET KIT

ITEM	PART NUMBER	DESCRIPTION	QTY	MODEL Or SERIAL #
1	099-00525	GASKET KIT	1	

GASKET KIT - CYLINDER HEAD AND OIL PAN



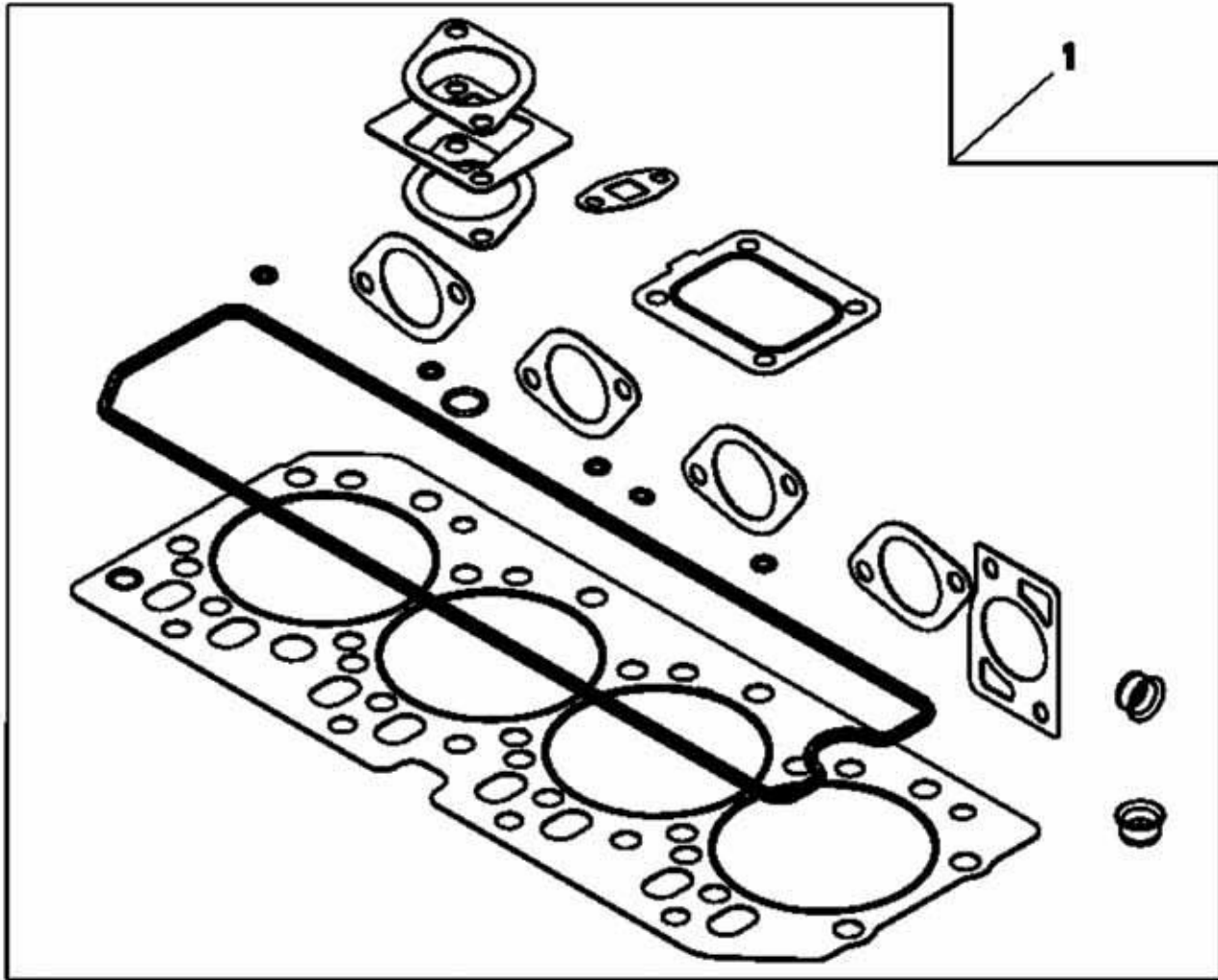


Inc. *Bullet B260-H-F77B; B260-H-F81B & B260-H-F91B*

GASKET KIT - CYLINDER HEAD AND OIL PAN

ITEM	PART NUMBER	DESCRIPTION	QTY	MODEL Or SERIAL #
1	099-00526	GASKET KIT	1	

GASKET KIT - CYLINDER HEAD



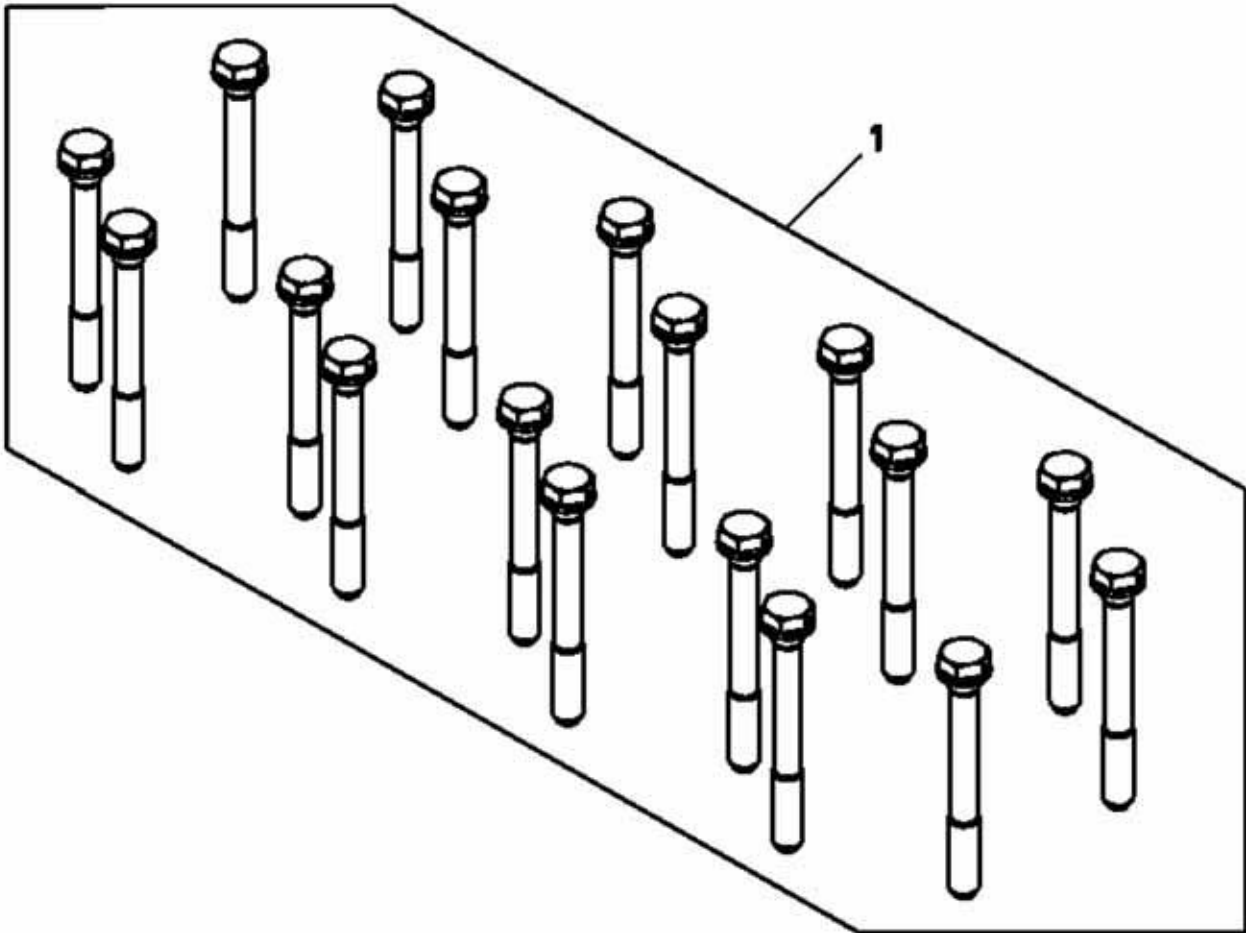


Bullet B260-H-F77B; B260-H-F81B & B260-H-F91B

GASKET KIT - CYLINDER HEAD

ITEM	PART NUMBER	DESCRIPTION	QTY	MODEL Or SERIAL #
1	099-00527	GASKET KIT	1	

SCREW - CYLINDER HEAD





Bullet B260-H-F77B; B260-H-F81B & B260-H-F91B

SCREW - CYLINDER HEAD

ITEM	PART NUMBER	DESCRIPTION	QTY	MODEL Or SERIAL #
1	099-00528	BOLT KIT	1	



Inc.

Bullet B260-H-F77B; B260-H-F81B & B260-H-F91B

Miscellaneous Notes