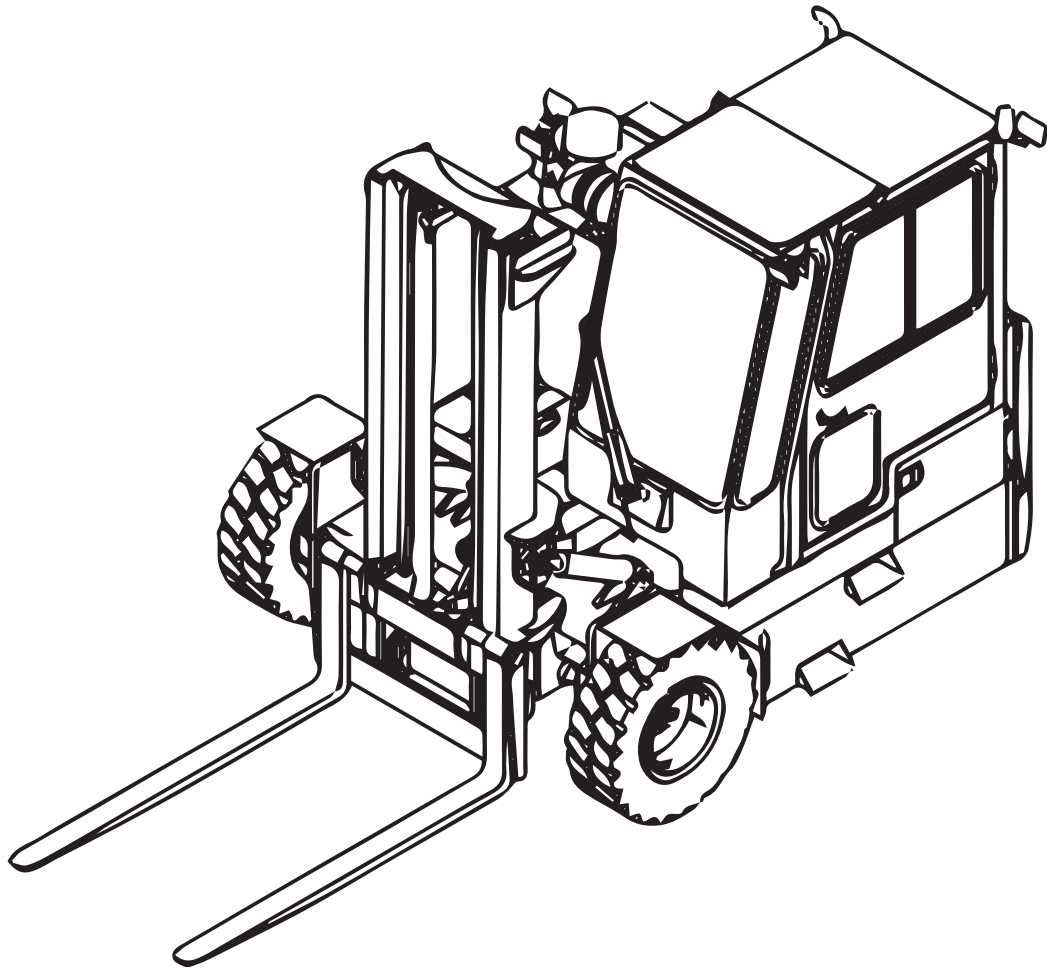




Bright Forklift Montacargas Bright

BD3-7570



Parts Catalog

Bright Coop Inc.

803 W. Seale St.

Nacogdoches, TX 75964

Phone: (936) 564-8378 • Fax: (936) 564-3281

Info@brightcoop.com

BCI# 097-24320 DATED: 10/2021



Bright Forklift

BD3-7570



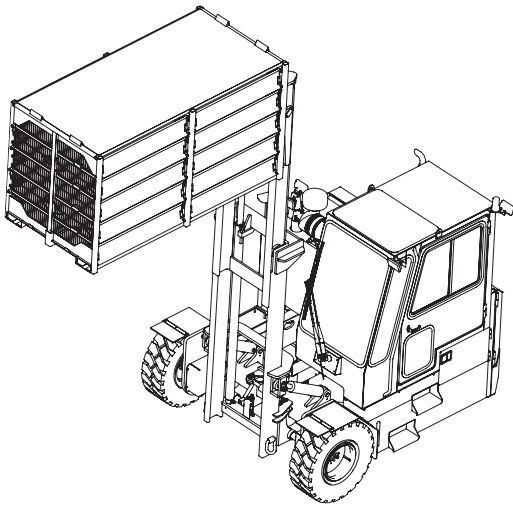


Bright Forklift

BD3-7570

Tab Indexes

Parts Catalog



- 1. SECTION 1
CAB ASSEMBLY**
- 2. SECTION 2
STEERING AXLE**
- 3. SECTION 3
POWERTRAIN CIRCUITS**
- 4. SECTION 4
FORKLIFT CIRCUITS**
- 5. SECTION 5
TIRE & WHEEL ASSEMBLY**
- 6. SECTION 6
MAST ASSEMBLY**
- 7. SECTION 7
HOODS, PANELS, & ACC.**
- 8. SECTION 8
DECALS**
- 9. SECTION 9
MAINTENANCE ITEMS**
- 10. SECTION 10
SCHEMATICS**
- 11. SECTION 11
KUBOTA DIESEL ENGINE**

Bright Coop Inc.

803 W. Seale St.

Nacogdoches, TX 75964

Phone: (936) 564-8378

Fax: (936) 564-3281

Info@brightcoop.com

BCI# 097-24320 DATED: 10/2021



Bright Forklift

BD3-7570

SECTION 1

CAB ASSEMBLY

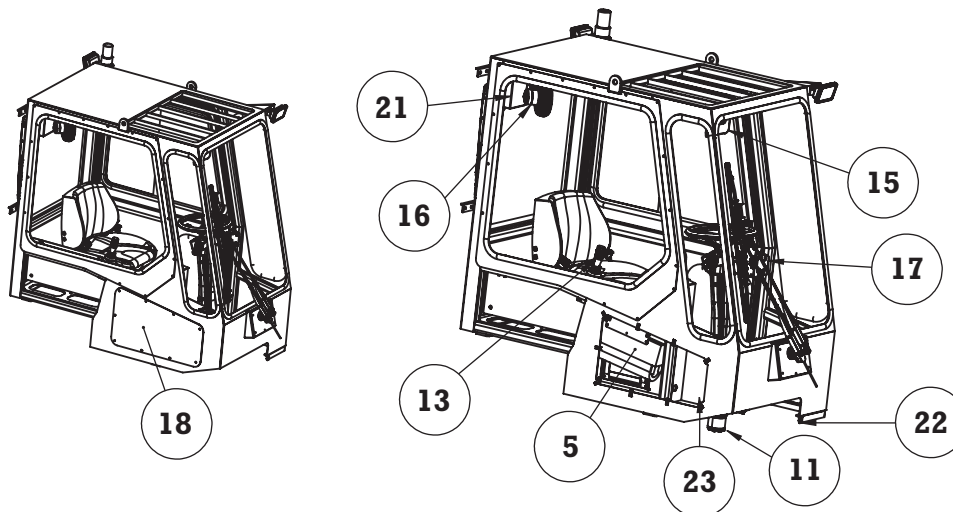
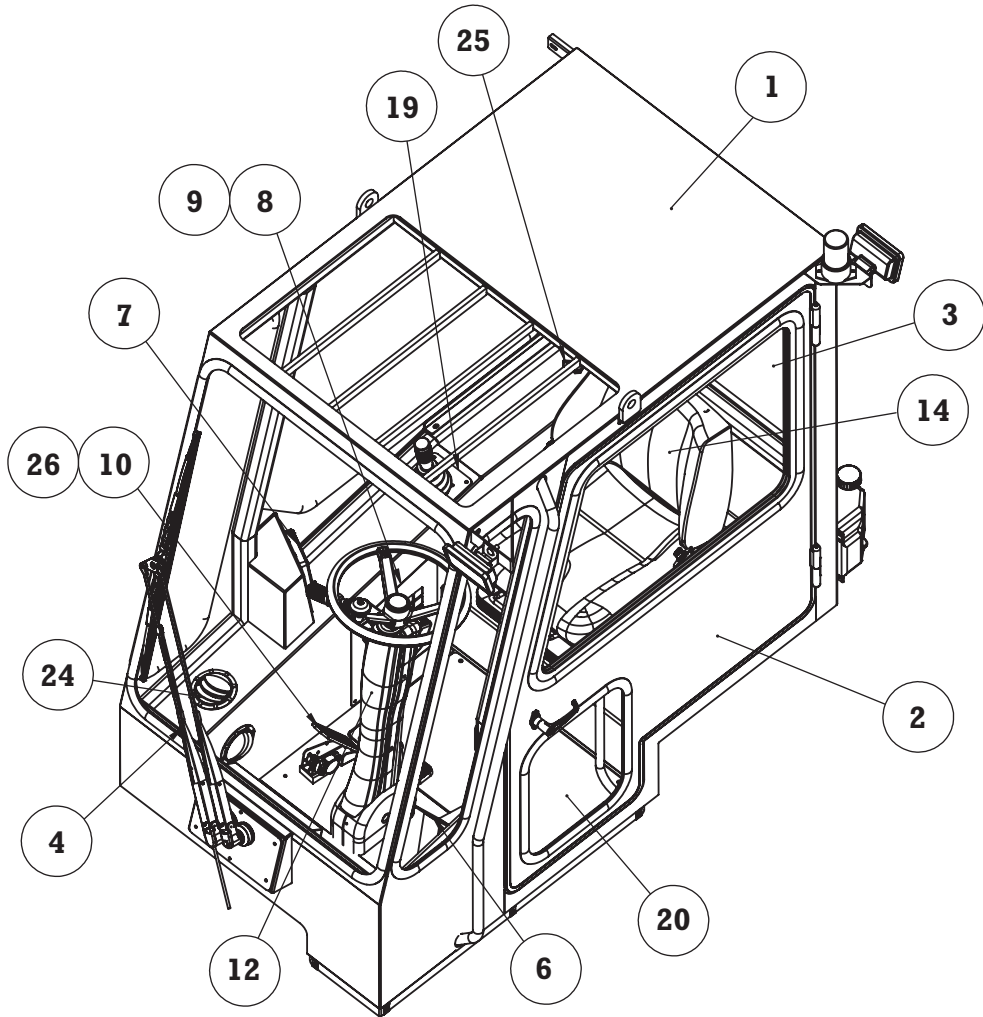
CONTENTS

CAB ASSEMBLY (097-25200)	1-2
CAB WINDOW ASSEMBLY (097-25201).....	1-4
FRONT AND REAR WIPER ASSEMBLY (097-25202)	1-6
DASH ASSEMBLY (097-25205)	1-8
CAB DOOR ASSEMBLY (097-25220).....	1-10
CAB SUMMER DOOR ASSEMBLY (097-25222)	1-12
COLUMN ASSEMBLY (0A041800_B).....	1-14
SIDE WINDOW FRAME ASSEMBLY - SUMMER WINDOW (097-25207)	1-16

Bright Forklift

BD3-7570

CAB ASSEMBLY (097-25200)





Bright Forklift

BD3-7570

CAB ASSEMBLY (097-25200)

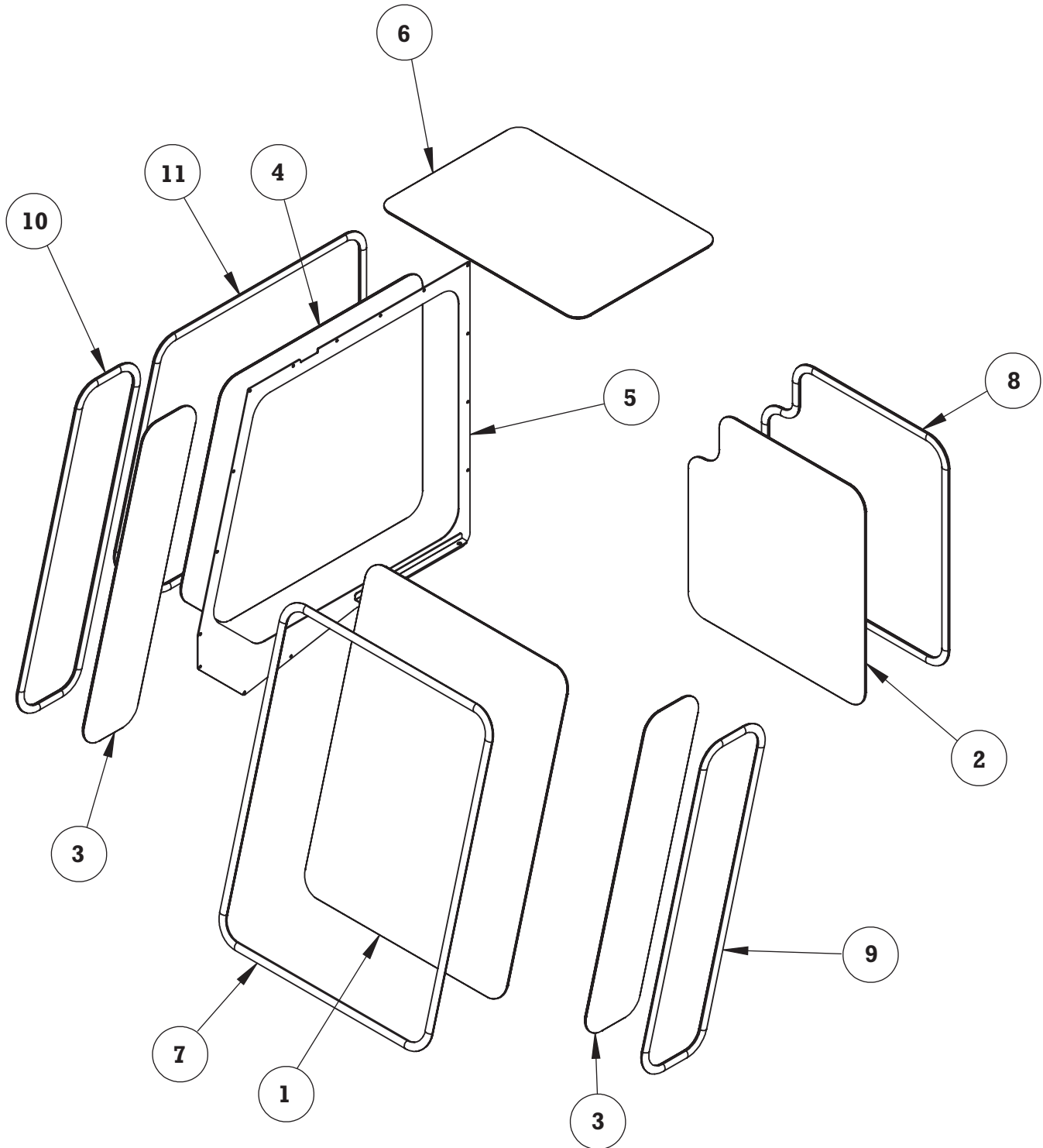
ITEM	QTY.	PART NUMBER	DESCRIPTION
1	1	097-25210	CAB PANEL WELDMENT
2	1	097-25220	CAB DOOR ASSEMBLY
3	1	097-25201	WINDOW ASSEMBLY
4	1	097-25202	FRONT AND REAR WIPER ASSEMBLY
5	1	097-25203	HEATER ASSEMBLY
6	1	097-25204	FNR TREADLE ASSEMBLY
7	1	097-25205	DASH ASSEMBLY
8	1	097-25212	HEATER FILTER HOLDER
9	1	097-24107	HEATER AIR FILTER
10	1	097-20833	FUEL PEDAL ASSEMBLY
11	1	097-24064	STEERING CONTROL UNIT 400CC
12	1	097-24149	STEERING COLUMN ASSEMBLY - MARS MODEL
13	1	097-24104	HYDRAULIC JOYSTICK WITH PUSH BUTTON
14	1	097-24245	SUSPENSION SEAT (HEAVY DUTY)
15	1	097-20714	FORKLIFT MIRROR (CAB)
16	1	430-00282	FAN
17	1	097-24061	STRIKER BRACKET (BOLT ON)
18	1	097-24057	HEATER ACCESS COVER
19	1	097-24150	JOYSTICK MOUNTING PLATE
20	1	097-24151	FLOOR ACCESS PLATE
21	1	097-24152	REAR WIPER MOTOR COVER PLATE
22	4	097-24014	CLIP ON NUT - 5/16-18 NC
23	21	210-00602A	SPEED NUT - 1/4-20 NC
24	2	097-24060	AIR DIFFUSER
25	1	097-20346	CUT-OFF SWITCH
26	1	097-24319	PLASTIC WEDGE FOR THROTTLE
27	1	097-24339	SEAT ARMREST - RIGHT HAND
28	1	097-24044	CAB FLOOR MAT (NOT SHOWN)



Bright Forklift

BD3-7570

CAB WINDOW ASSEMBLY (097-25201)





Bright Forklift

BD3-7570

CAB WINDOW ASSEMBLY (097-25201)

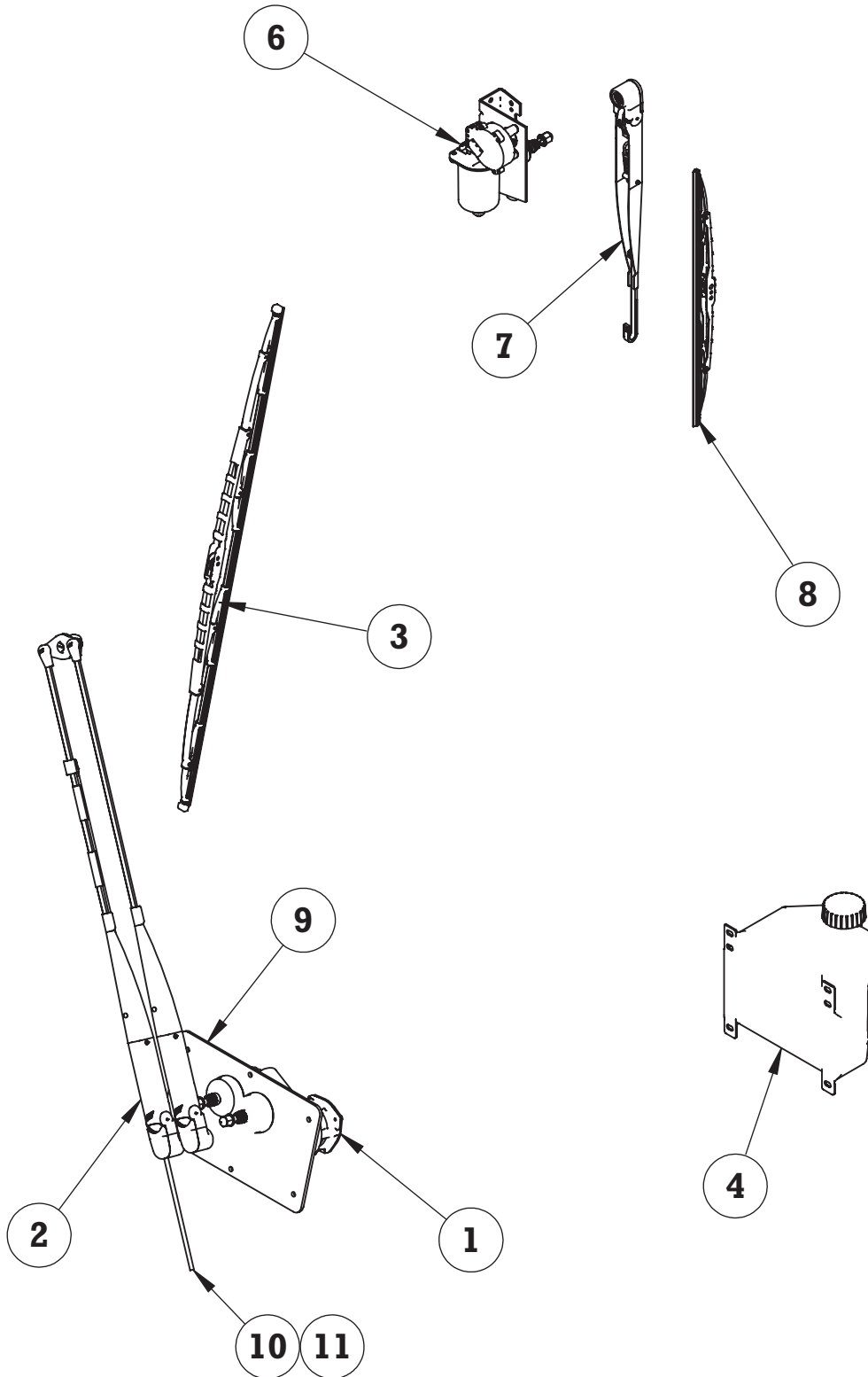
ITEM	QTY	PART NUMBER	DESCRIPTION
1	1	097-24065	WINDSHIELD
2	1	097-24066	REAR WINDOW
3	2	097-24067	FRONT SIDE WINDOW
4	1	097-24068	RIGHT HAND SIDE WINDOW
5	1	097-25206	SIDE WINDOW FRAME ASSEMBLY
6	1	097-24069	ROOF WINDOW
7	13 FT	098-00772	WINDOW GASKET
8	10 FT	098-00772	WINDOW GASKET
9	8.5 FT	098-00772	WINDOW GASKET
10	8.5 FT	098-00772	WINDOW GASKET
11	12 FT	098-00772	WINDOW GASKET



Bright Forklift

BD3-7570

FRONT AND REAR WIPER ASSEMBLY (097-25202)





Bright Forklift

BD3-7570

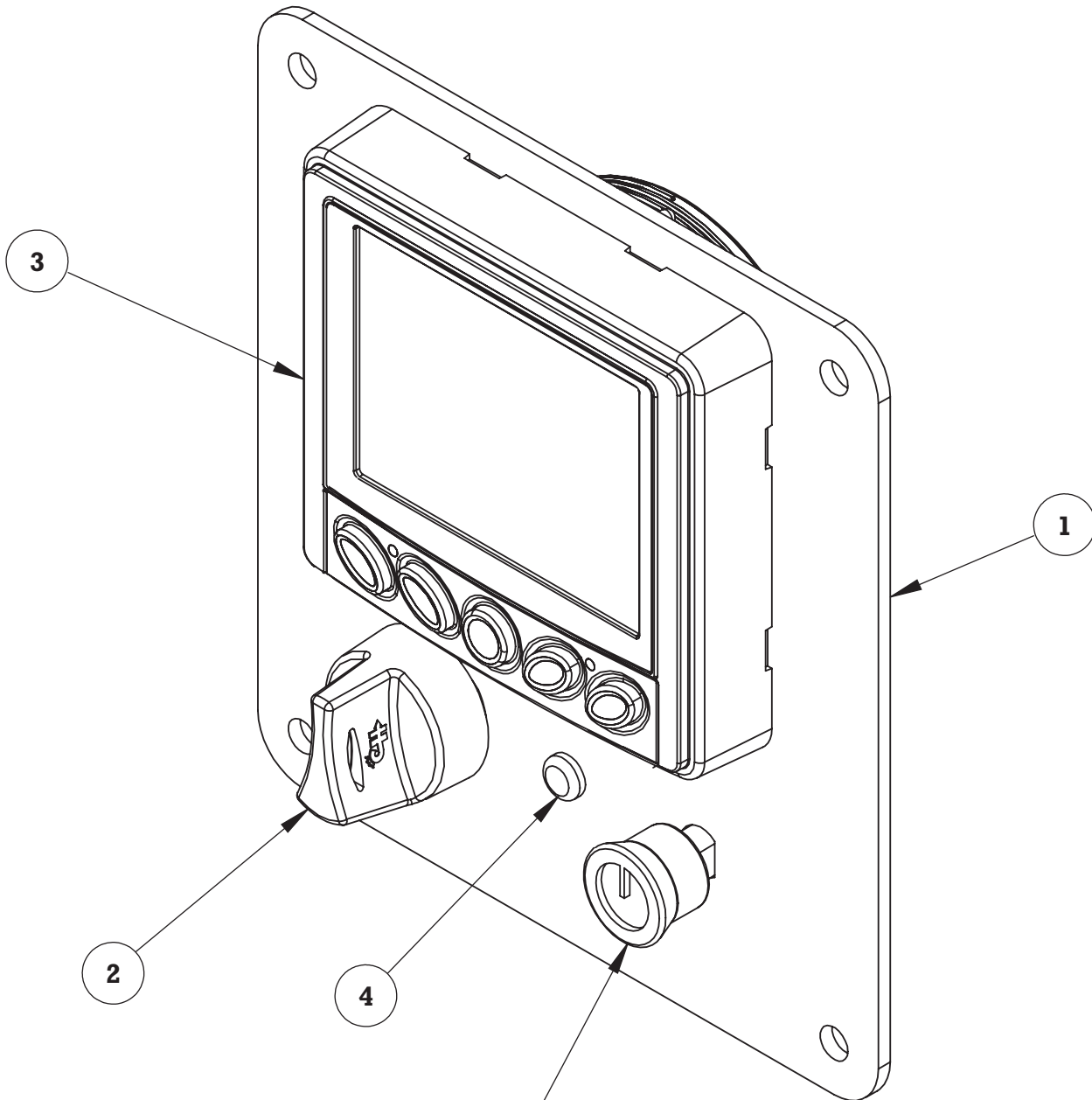
FRONT AND REAR WIPER ASSEMBLY (097-25202)

ITEM	QTY	PART NUMBER	DESCRIPTION
1	1	097-24062-01	FRONT WIPER MOTOR ASSEMBLY
2	1	097-24062-02	FRONT WIPER ARM ASSEMBLY - PANTOGRAPH
3	1	097-24062-03	FRONT WIPER BLADE - 32"
4	1	097-24062-04	WASHER BOTTLE ASSEMBLY - W/ PUMP
5	1	097-24062-05	BULKHEAD FITTING
6	1	097-24063-01	REAR WIPER MOTOR ASSEMBLY
7	1	097-24063-02	REAR WIPER ARM ASSEMBLY
8	1	097-24063-03	REAR WIPER BLADE - 18"
9	1	097-24224	FRONT WIPER MOTOR HOLDER
10	8 FT	098-00725	3/16" RUBBER HOSE
11	1	330-00437	BARB FITTING - 3/8" X 3/8"

Bright Forklift

BD3-7570

DASH ASSEMBLY (097-25205)



**HEATER SWITCH
(COMES WITH HEATER)**



Bright Forklift

BD3-7570

DASH ASSEMBLY (097-25205)

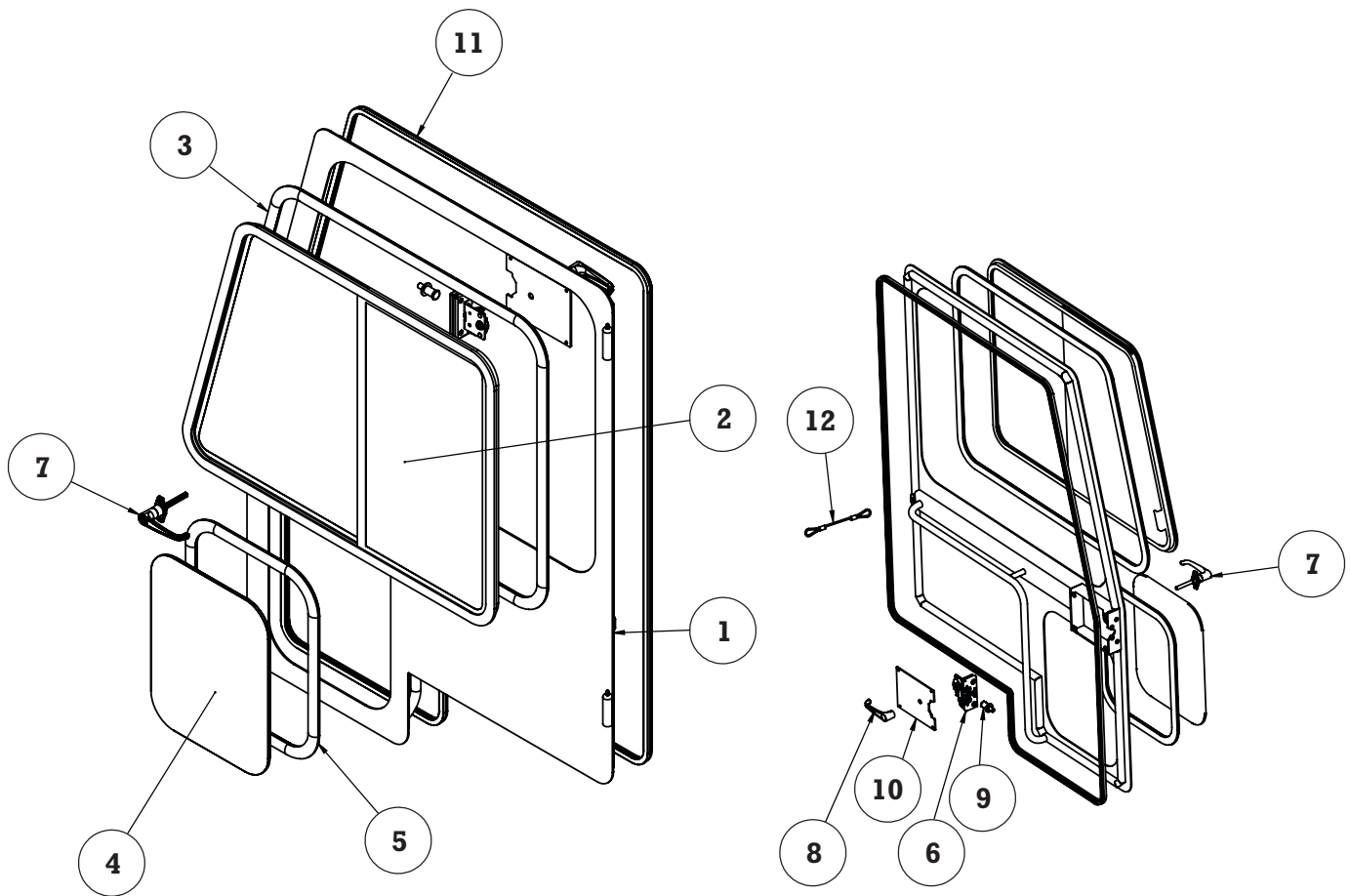
ITEM	QTY.	PART NUMBER	DESCRIPTION
1	1	097-24148	DASH MOUNTING PLATE
2	1	190-00747	SEALED KEY IGNITION SWITCH - 3 POSITION
3	1	190-00743	MURPHY POWERVIEW PV380-R2
4	1	097-20828	LED INDICATOR LIGHT - YELLOW



Bright Forklift

BD3-7570

CAB DOOR ASSEMBLY (097-25220)





Bright Forklift

BD3-7570

CAB DOOR ASSEMBLY (097-25220)

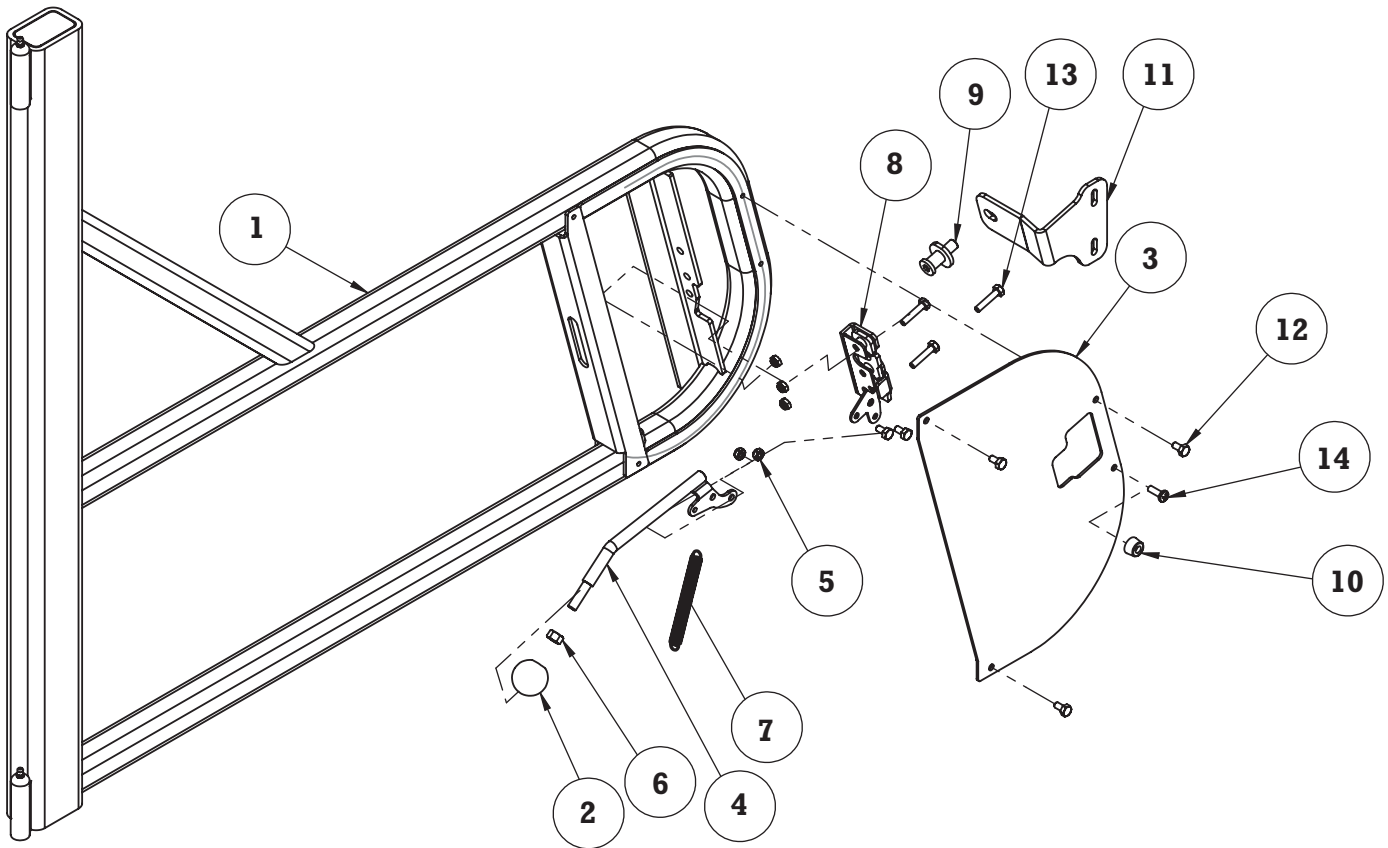
ITEM	QTY.	PART NUMBER	DESCRIPTION
1	1	097-25221	CAB DOOR WELDMENT
2	1	097-24070	DOOR SLIDING WINDOW
3	10 FT.	098-00772	WINDOW GASKET
4	1	097-24071	DOOR BOTTOM WINDOW
5	5 FT.	098-00772	WINDOW GASKET
6	1	098-01816R	ROTARY LATCH (RIGHT HAND SIDE)
7	1	098-01817	OUTSIDE HANDLE W/ DRIVE SHAFT & LOCK
8	1	098-01818	INSIDE HANDLE
9	1	098-01819	STRIKER FOR ROTARY LATCH
10	1	098-01803	BULLET DOOR LATCH COVER
11	16 FT.	097-24153	DOOR SEAL GASKET
12	1	097-25213	DOOR CHECK CABLE ASSEMBLY



Bright Forklift

BD3-7570

CAB SUMMER DOOR ASSEMBLY (097-25222)





Bright Forklift

BD3-7570

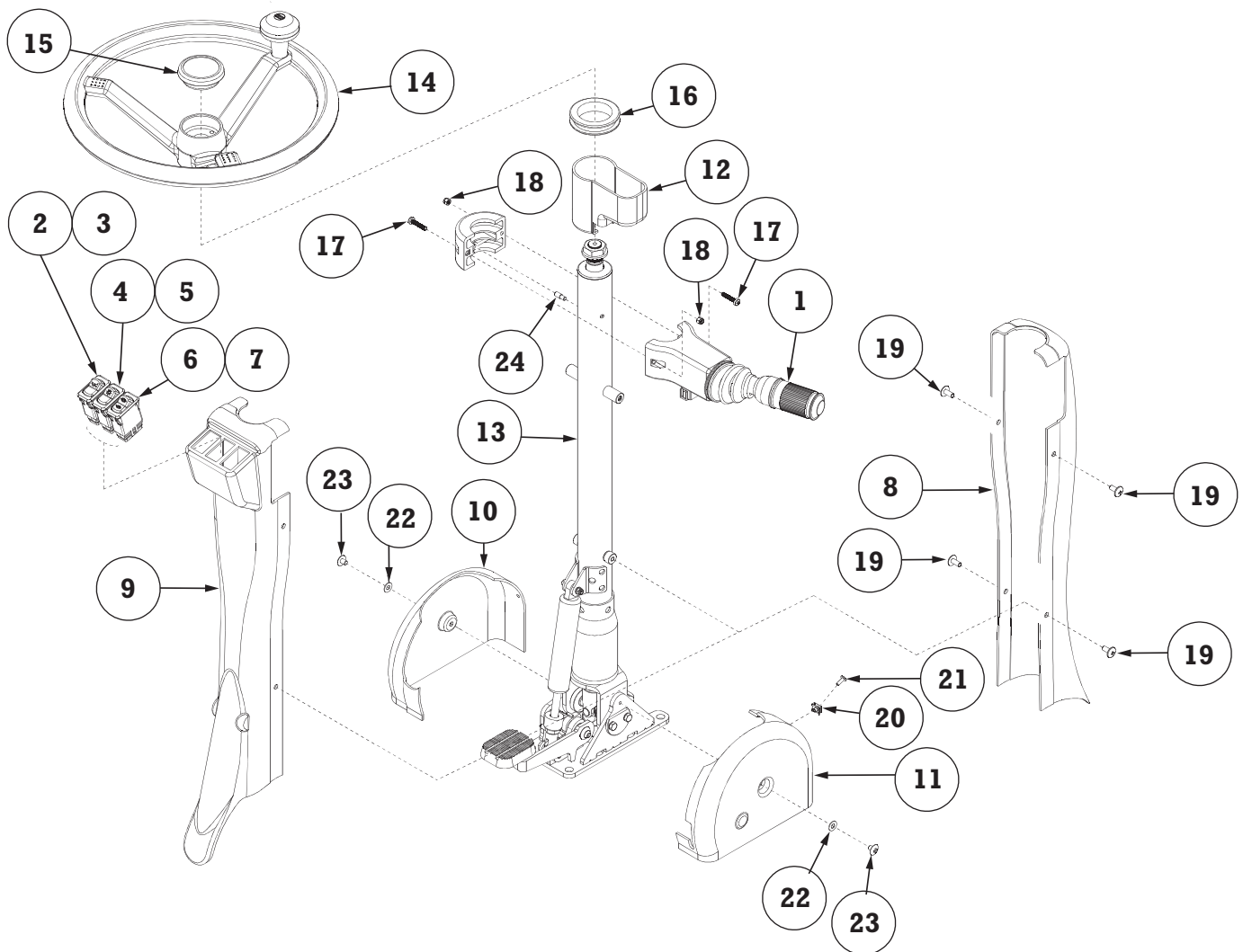
CAB SUMMER DOOR ASSEMBLY (097-25222)

ITEM	QTY.	PART NUMBER	DESCRIPTION
1	1	097-25223	CAB SUMMER DOOR WELDMENT
2	1	097-20319	DELUXE BALL KNOB W/ 3/8-16 THREAD
3	1	097-20943	INNER COVER
4	1	097-21230	DOOR LATCH HANDLE WELDMENT
5	5	REF.	1/4-20 NYLOC HEX NUT
6	1	210-00173	3/8-16 HEX NUT
7	1	KD-B1074	THROTTLE SPRING
8	1	097-20659	ROTARY LATCH
9	1	097-20660	STRIKER
10	1	098-01170	RUBBER BUMPER
11	1	097-24269	STRIKER BRACKET, SUMMER DOOR - (BOLT ON)
12	5	REF.	1/4-20 X 1/2 LG HEX BOLT
13	3	REF.	1/4-20 X 1-1/4 LG HEX BOLT
14	1	REF.	SCREW, PAN HEAD 1/4-20 NC X 3/4 LG

Bright Forklift

BD3-7570

COLUMN ASSEMBLY (0A041800_B)





Bright Forklift

BD3-7570

COLUMN ASSEMBLY (0A041800_B)

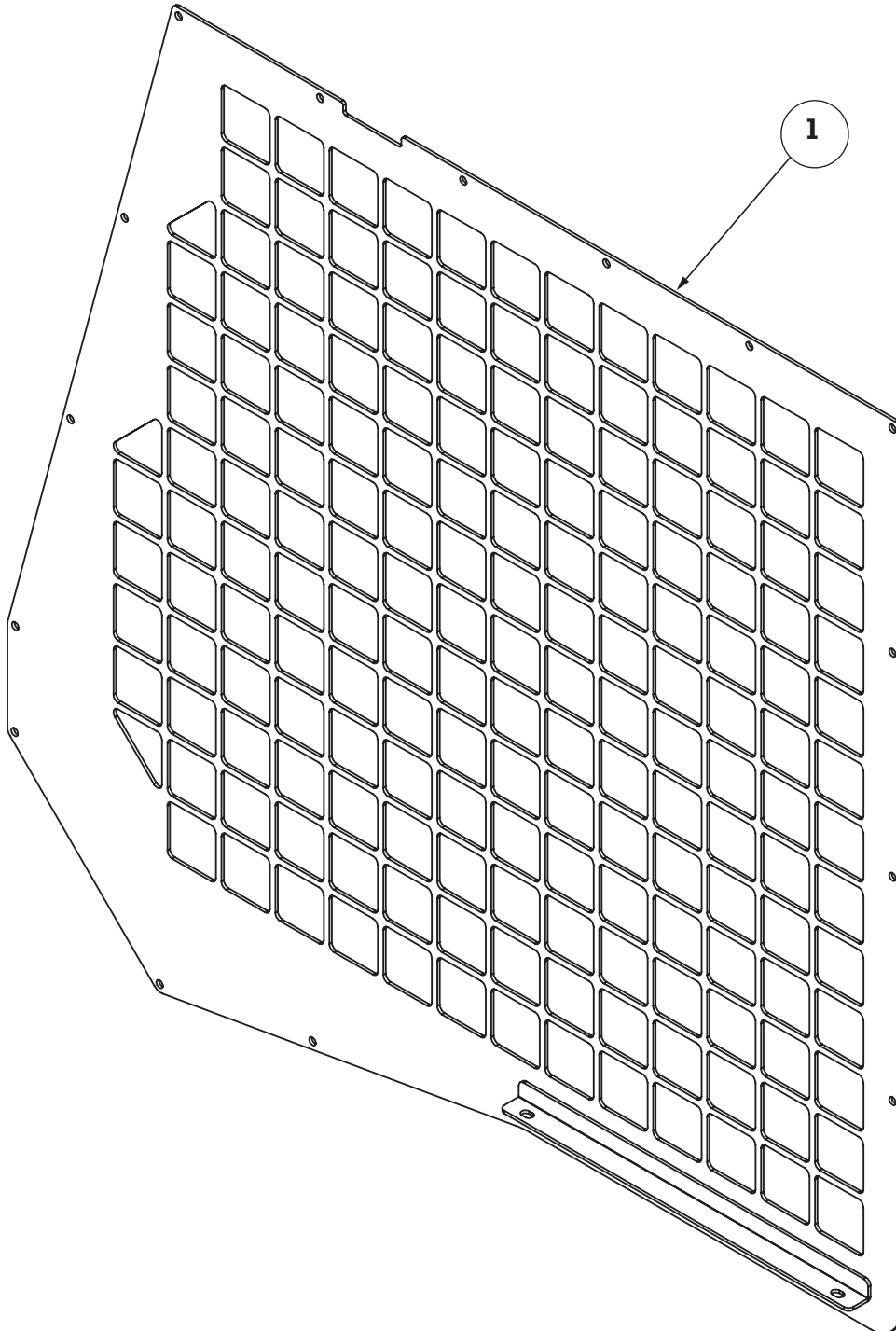
REF	QTY.	PART NUMBER	DESCRIPTION
1	1	097-00867	COLUMN SWITCH WIPER/WASHER
2	1	098-00868	ROCKER SWITCH OFF - ON RED LED
3	1	098-00872	ROCKER COVER HORN
4	1	098-00869	ROCKER SWITCH OFF - ON GREEN LED
5	1	098-00873	ROCKER COVER LIGHTS
6	1	097-00870	ROCKER SWITCH OFF - ON YELLOW LED
7	1	097-00874	ROCKER COVER PARKING BRAKE
8	1		FRONT PLASTIC COVER BLACK
9	1		REAR PLASTIC COVER BLACK
10	1		LEFT PROTECTION COVER BLACK
11	1		RIGHT PROTECTION COVER BLACK
12	1		SWITCH COVERGE PROTECTION BLACK
13	1		COLUMN 00-04-02-G-750
14	1	097-00871	STEERING WHEEL DIAMETER .362 X 105
15	1	097-00010	STEERING WHEEL CAP
16	1		RUBBER RING DIAMETER 45
17	2		SCREW M5 X 15MM UNI7687 CL 4, 8 ZN1
18	2		NUT M5 ZN12 DIN982
19	4		SCREW M6 X 14 ZNN12+S
20	1		METAL CLIP FASTENER
21	1		SCREW M4 X 11 ZNN12+S
22	2		WASHER NYLON PLASTIC BLACK
23	2		SCREW M6 X 8 ZNN12+S
24	1		LOCATING PIN FOR COLUMN SWITCH



Bright Forklift

BD3-7570

SIDE WINDOW FRAME ASSEMBLY - SUMMER WINDOW (097-25207)





Bright Forklift

BD3-7570

SIDE WINDOW FRAME ASSEMBLY - SUMMER WINDOW (097-25207)

REF	QTY.	PART NUMBER	DESCRIPTION
1	1		SUMMER WINDOW WITHOUT GLASS



Bright Forklift

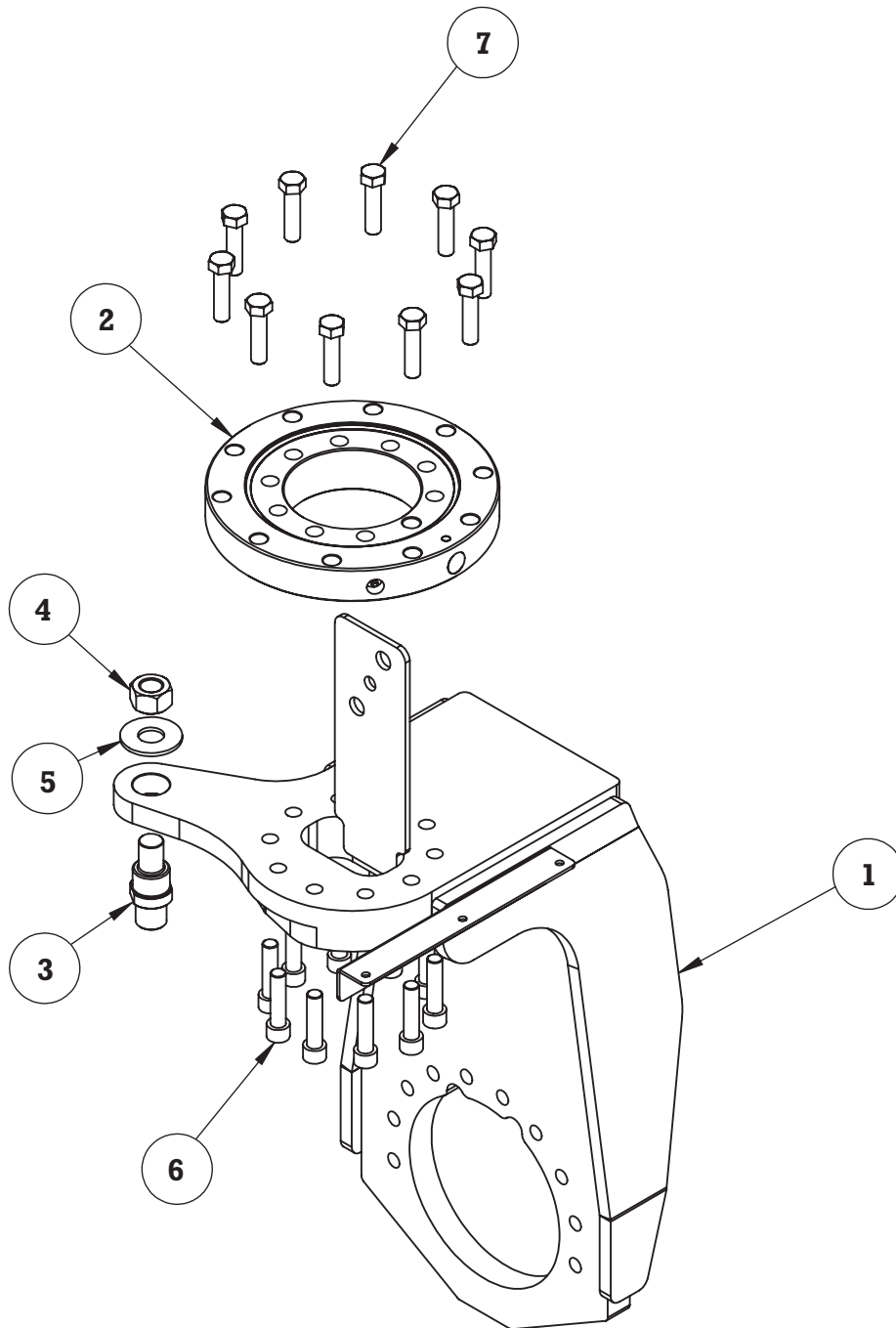
BD3-7570

SECTION 2

STEERING AXLE

CONTENTS

STEER AXLE ASSEMBLY (097-25300)	2-2
---------------------------------------	-----





Bright Forklift

BD3-7570

STEER AXLE ASSEMBLY (097-25300)

ITEM	QTY.	PART NUMBER	DESCRIPTION
1	1	097-25310	STEER AXLE WELDMENT
2	1	097-24007	SLEWING BEARING
3	1	097-24011	STUB SHAFT FOR STEERING
4	1	210-00163	NUT HEX 1" - 8 NC
5	1	210-00280	FLAT WASHER - 1"
6	10	210-00878	SOCKET HD CAP SCREW NC
7	10	210-00113	SCREW CAP HEX HD NC GR 8



Bright Forklift

BD3-7570

SECTION 3

POWERTRAIN CIRCUITS

CONTENTS

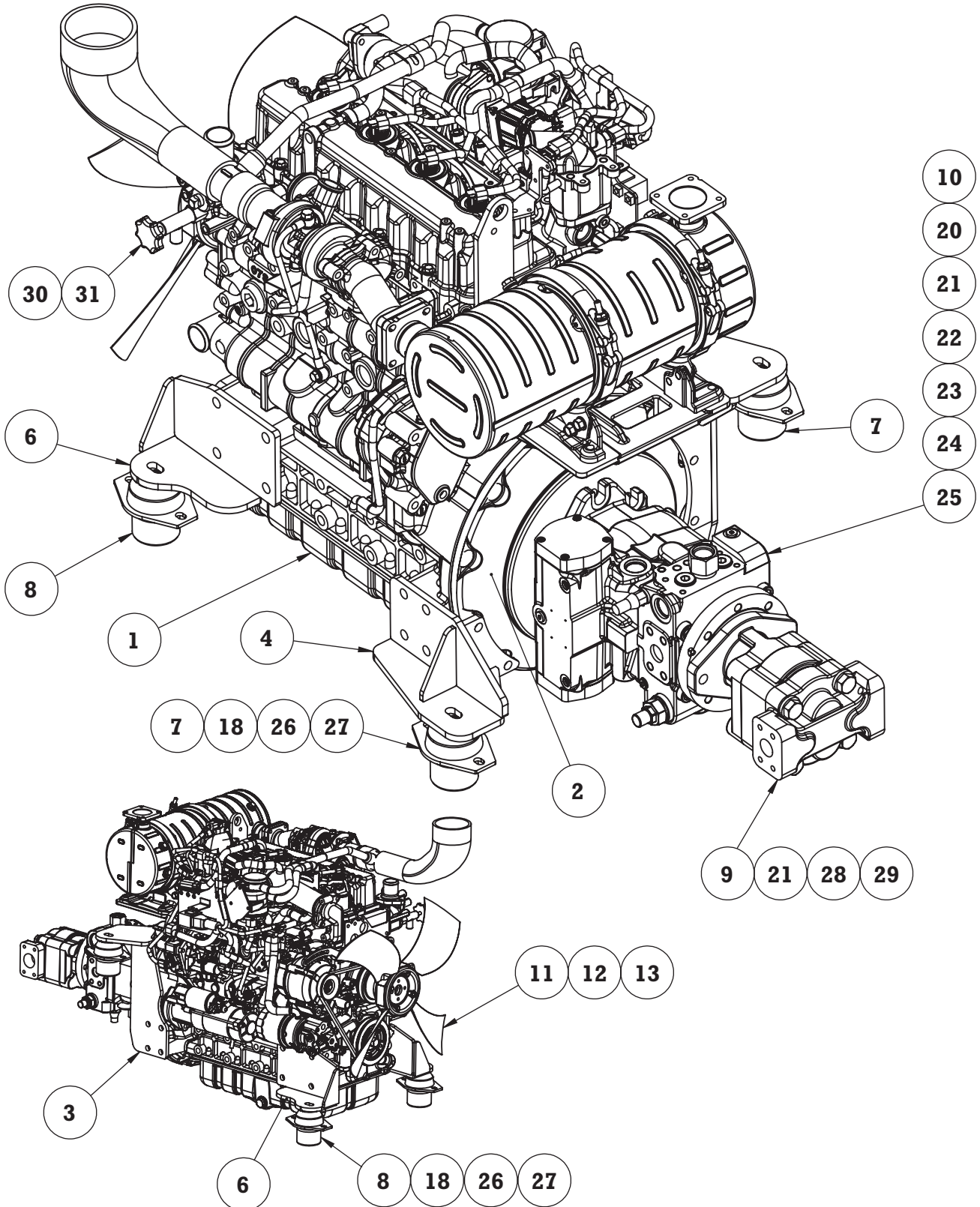
POWERTRAIN ASSEMBLY (097-25410)	3-2
EXHAUST CIRCUIT ASSEMBLY (097-25414)	3-4
AIR CLEANER CIRCUIT (097-25415)	3-6
COOLING CIRCUIT ASSEMBLY (097-25416)	3-8



Bright Forklift

BD3-7570

POWERTRAIN ASSEMBLY (097-25410)





Bright Forklift

BD3-7570

POWERTRAIN ASSEMBLY (097-25410)

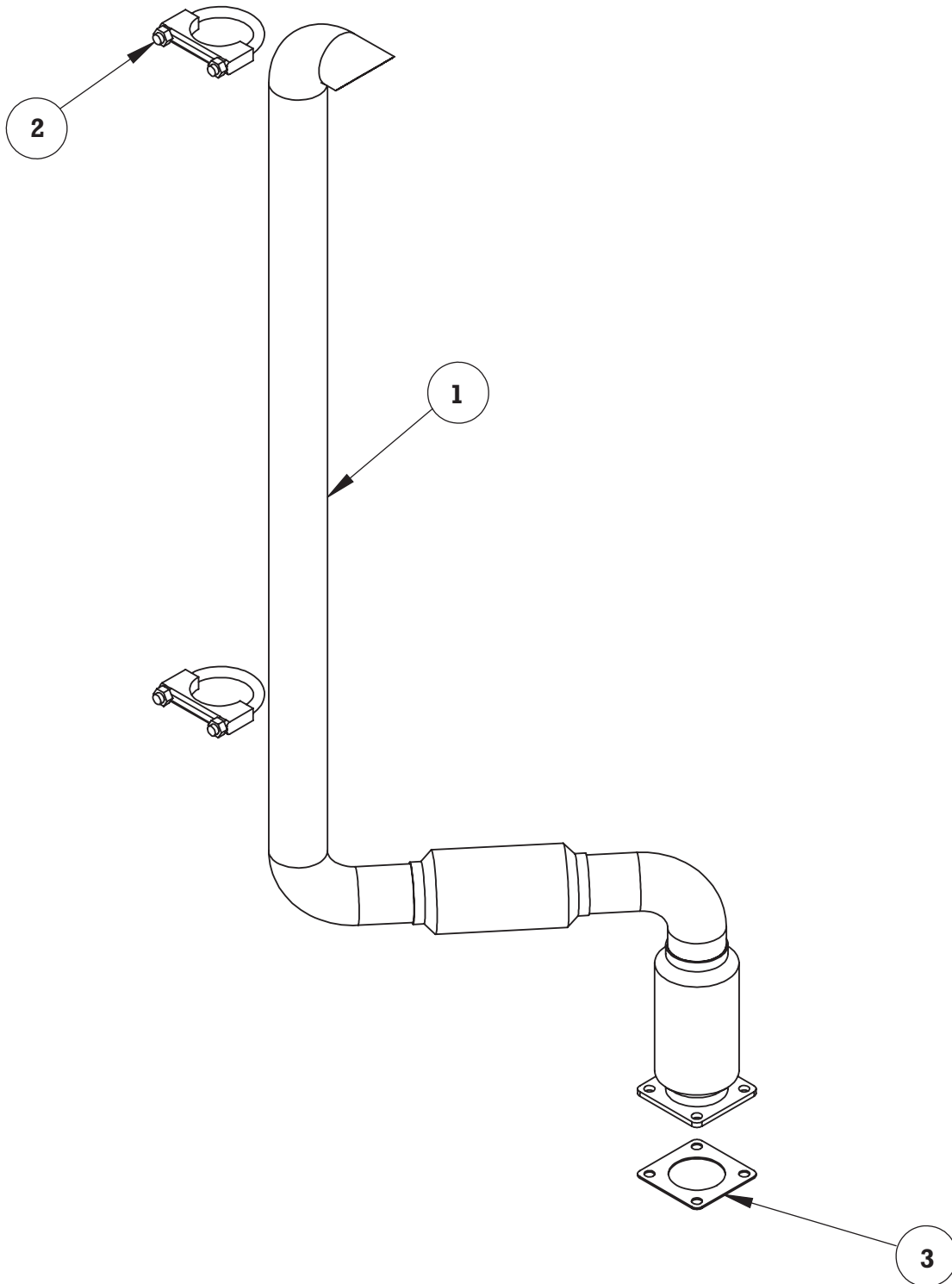
ITEM	QTY.	PART NUMBER	DESCRIPTION
1	1	097-24229	KUBOTA V3307-CR-TIE4B ENGINE
2	-	097-24305	HAYES COUPLING
3	1	097-25411	REAR ENGINE SUPPORT WELDMENT - LEFT HAND
4	1	097-25412	REAR ENGINE SUPPORT WELDMENT - RIGHT HAND
5	1	097-25413L	FRONT ENGINE SUPPORT WELDMENT
6	1	097-25413R	FRONT ENGINE SUPPORT WELDMENT
7	2	097-24262	HYDRO MOUNT (ANTI-VIBRATION ENGINE MOUNT - 60SH)
8	2	097-20841	HYDRO MOUNT (ANTI-VIBRATION ENGINE MOUNT - 50SH)
9	1	097-24102	HYDRAULIC GEAR PUMP
10	1	097-24227	HYDROSTATIC PUMP
11	1	097-24230	FAN - MULTI-WING, 20", 4 BLADE
12	1	097-20820	ENGINE FAN SPACER - 1-1/2"
13	4	850-01050	BOLT, HEX HEAD - M6 X 60, GR 10.9
14	5	097-20569	BOLT, HEX HEAD - M10 X 1.25 X 55
15	8	210-00712	BOLT, HEX HEAD - M12 X 1.25 X 25
16	8	210-00790	BOLT, HEX HEAD - M14 X 1.5 X 35
17	5	210-00345	LOCK WASHER, M10
18	12	210-00346	LOCK WASHER, M12
19	8	210-00820	LOCK WASHER, M14
20	4	210-00853	BOLT, HEX HEAD - ALL THREADED 1/2-13 X 2-1/2
21	8	210-00282-8	WASHER, FLAT - 1/2" SAE, GR 8
22	4	210-00195.1	NUT, HEX - 1/2" NYLOC, GR 8
23	2	210-00888	BOLT, HEX HEAD - ALL THREADED 5/8-11 X 2-1/2
24	4	210-00367	WASHER, FLAT - 5/8" SAE, GR 8
25	2	210-00201-8	NUT, HEX - 5/8" NYLOC, GR 8
26	4	210-00606	BOLT, HEX HEAD - M12 X 1.75 X 35
27	4	210-00372	WASHER, FLAT - M12
28	2	210-00018	BOLT, HEX HEAD - 1/2"-13NC X 1-1/2, GR 8
29	2	210-00311	WASHER, LOCK - 1/2" GR 8
30	1	330-00836	FITTING - 3/8 NPT X 3/8 NPT EXTENDER
31	1	098-00786	HEATER VALVE



Bright Forklift

BD3-7570

EXHAUST CIRCUIT ASSEMBLY (097-25414)



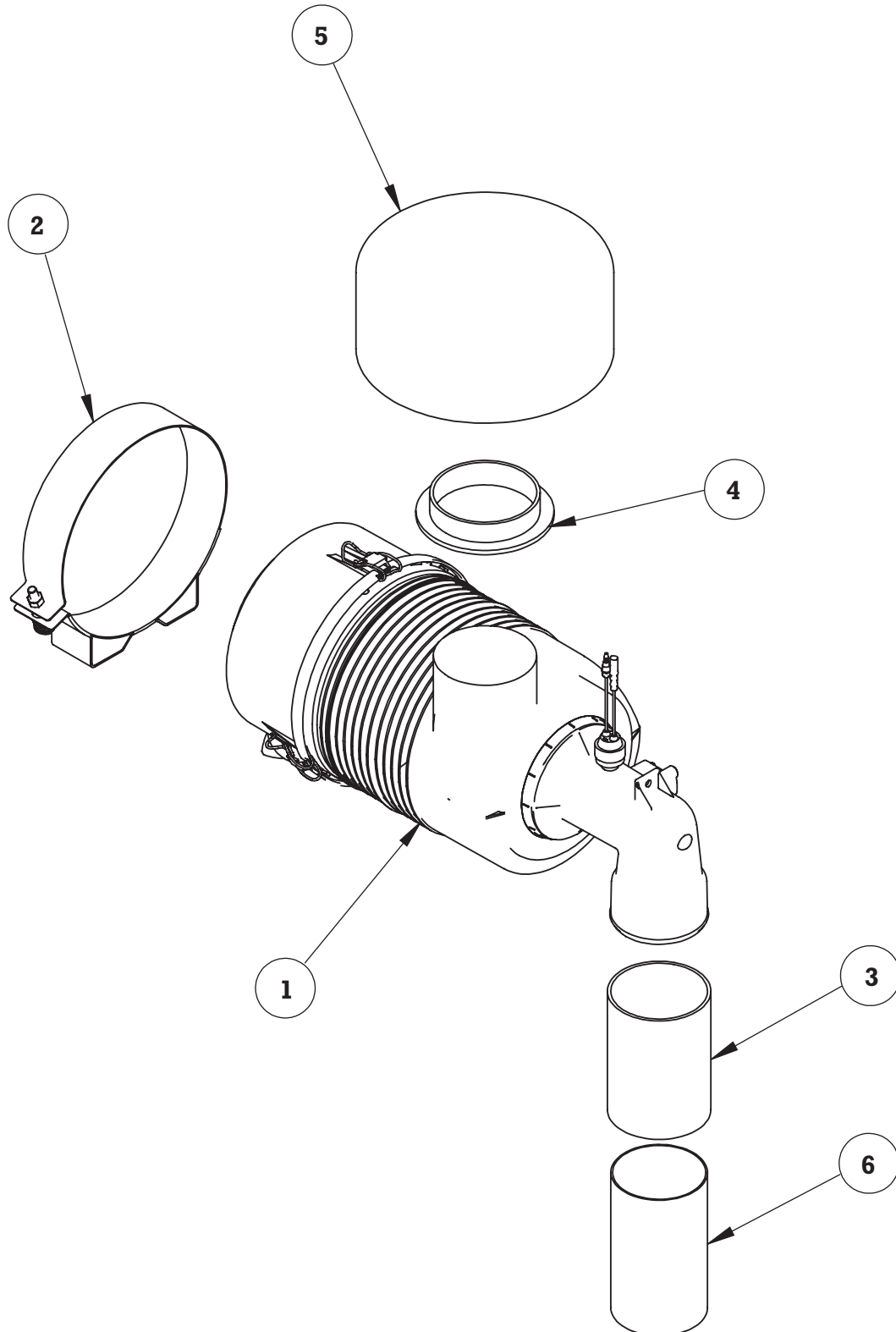


Bright Forklift

BD3-7570

EXHAUST CIRCUIT ASSEMBLY (097-25414)

ITEM	QTY.	PART NUMBER	DESCRIPTION
1	1	097-25414W	EXHAUST PIPE WELDMENT
2	2	430-00370	2" MUFFLER CLAMP
3	1	097-00489	MUFFLER GASKET





Bright Forklift

BD3-7570

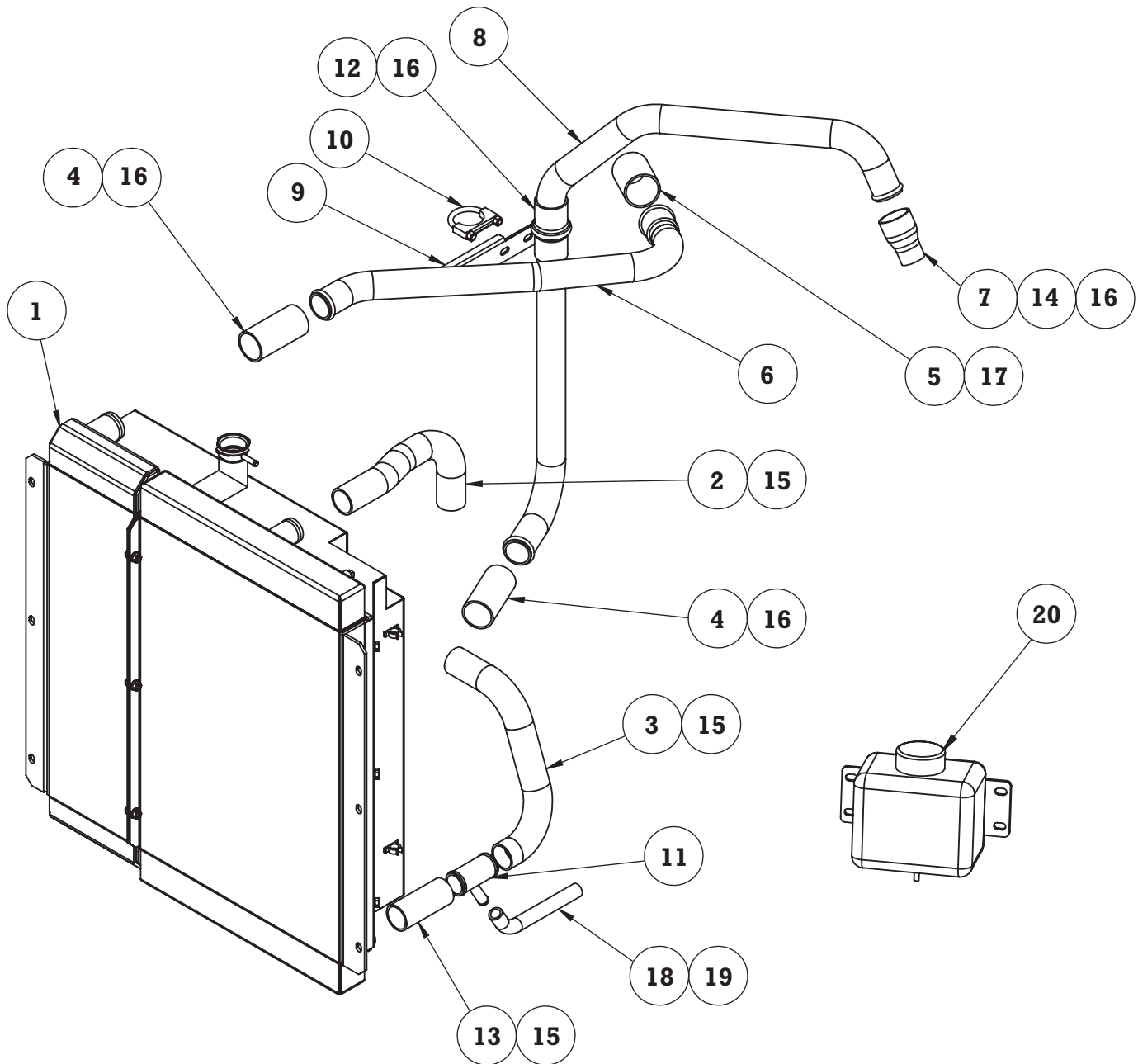
AIR CLEANER CIRCUIT (097-25415)

ITEM	QTY.	PART NUMBER	DESCRIPTION
1	REF	097-24902	AIR CLEANER
2	REF	097-20964	AIR CLEANER CLAMP
	REF	097-20965	AIR CLEANER OUTER ELEMENT
	REF	097-20966	AIR CLEANER INNER ELEMENT
	REF	097-20967	VACUATOR VALVE
	REF	097-20968	END COVER ASSEMBLY
	REF	097-20969	END COVER CLAMP ONLY
3	REF	097-20822	RUBBER STRAIGHT COUPLING
4	1	098-01167	INSERT SLEEVE REDUCER - 4" TO 3-3/4"
5	1	098-00824	PRE-CLEANER
6	1	097-20824	INTAKE TUBE

Bright Forklift

BD3-7570

COOLING CIRCUIT ASSEMBLY (097-25416)





Bright Forklift

BD3-7570

COOLING CIRCUIT ASSEMBLY (097-25416)

ITEM	QTY.	PART NUMBER	DESCRIPTION
1	1	097-24228	RADIATOR W/CAC - BD3-7570
2	1	097-24263	UPPER RADIATOR HOSE (1-1/2 DIAMETER X 15-3/4")
3	1	097-24264	LOWER RADIATOR HOSE (1-1/2 DIAMETER X 19-7/8")
4	2	097-24265-01	CAC RUBBER END - RADIATOR SIDE
5	1	097-24265-02	UPPER CAC RUBBER END - ENGINE SIDE
6	1	097-24265-03	UPPER CAC CENTER PIPE
7	1	097-24266-02	LOWER CAC RUBBER END - ENGINE SIDE
8	1	097-24266-03	LOWER CAC CENTER PIPE
9	1	097-24267	CAC CLAMP BRACKET
10	1	097-20370	1-3/4" ZINC PLATED MUFFLER CLAMP
11	1	097-24314	"Y" FITTING - 1-1/2" RADIATOR HOSE TO 5/8" HEATER HOSE
12	1	097-24316	HUMP COUPLER - 4"
13	1	097-24318	RADIATOR HOSE COUPLER - SHORT
14	1	330-00325	T-BOLT CLAMP 1-3/8 X 1-9/16
15	6	850-00563	HOSE CLAMP 13/16 X 1-3/4
16	7	370-00026	T-BOLT CLAMP 1-7/8 X 2-3/16
17	2	210-00453	T-BOLT CLAMP 2-1/8 X 2-3/8
18	15 FT	330-00408	HEATER HOSE
19	4	850-00560	HOSE CLAMP 9/16 X 1-1/16
20	1	097-20805	COOLANT TANK

NOTE: UPPER HEATER HOSE (HOT SIDE): 96" LENGTH LOWER HEATER HOSE (COLD SIDE): 83" LENGTH



Bright Forklift

BD3-7570

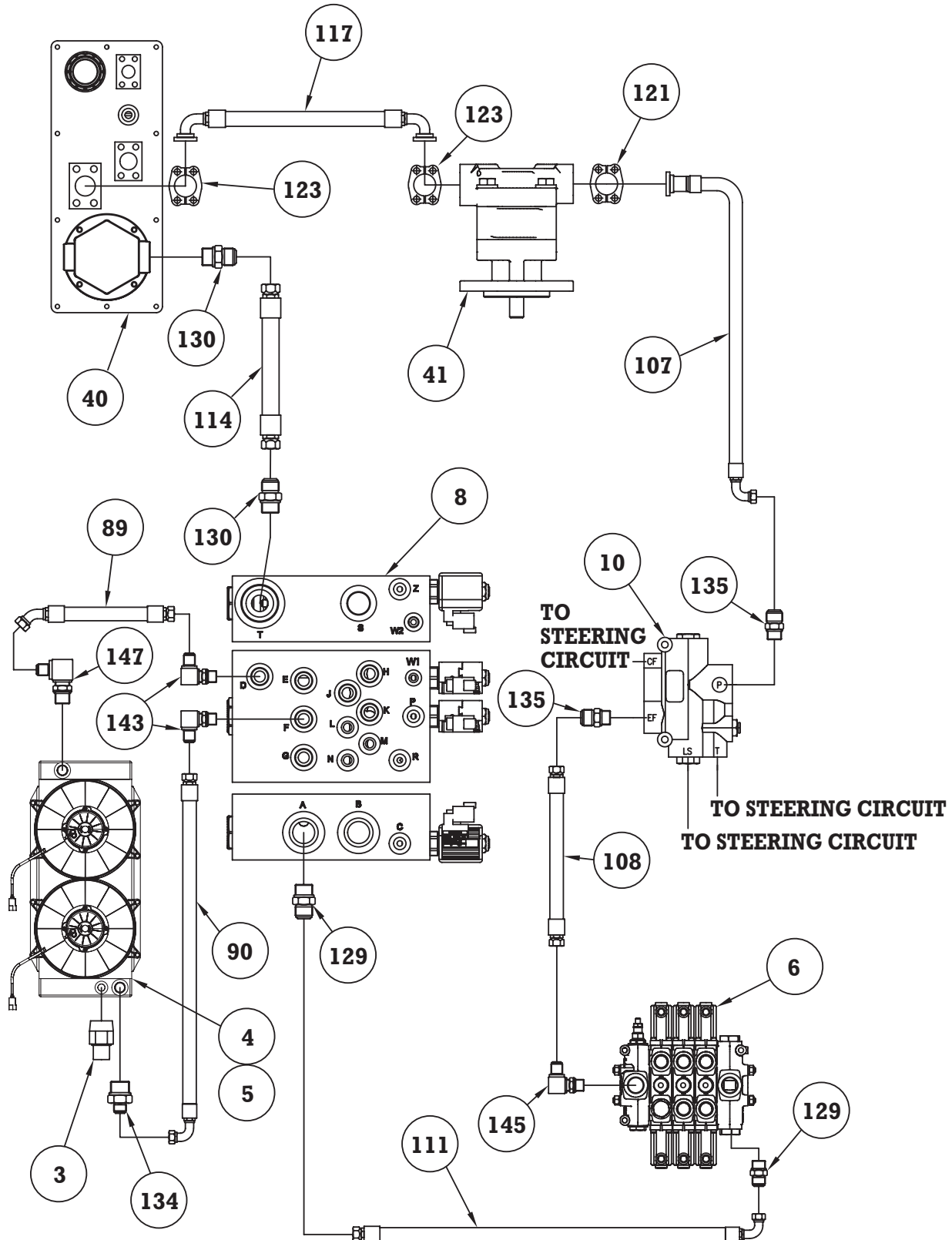
SECTION 4

FORKLIFT CIRCUITS

CONTENTS

HYDRAULIC CIRCUIT (097-25510)	4-2
MAIN CIRCUIT	4-2
DRIVE CIRCUIT 1 OF 2 - (PUMP).....	4-3
DRIVE CIRCUIT 2 OF 2 - (MOTORS)	4-4
PARKING BRAKE & FNR CIRCUITS	4-5
JOYSTICK & DIVERter VALVE CIRCUITS.....	4-6
STEERING CIRCUIT	4-7
LIFT CIRCUIT	4-8
TILT CIRCUIT	4-9
SIDESHIFT CIRCUIT	4-10
HYDRAULIC CIRCUIT PARTS DESCRIPTIONS BY ITEM NUMBER	4-11
HYDRAULIC TOP TANK ASSEMBLY (097-25513)	4-16
HYDRAULIC TANK ASSEMBLY (097-25514)	4-18
DRIVE BLOCK ASSEMBLY (097-25516).....	4-20
MANIFOLD BLOCK ASSEMBLY (097-25517)	4-22
FUEL CIRCUIT (097-25520)	4-24
ELECTRICAL CIRCUIT (097-25540).....	4-27
ELECTRIC BOX ASSEMBLY (097-25541).....	4-28

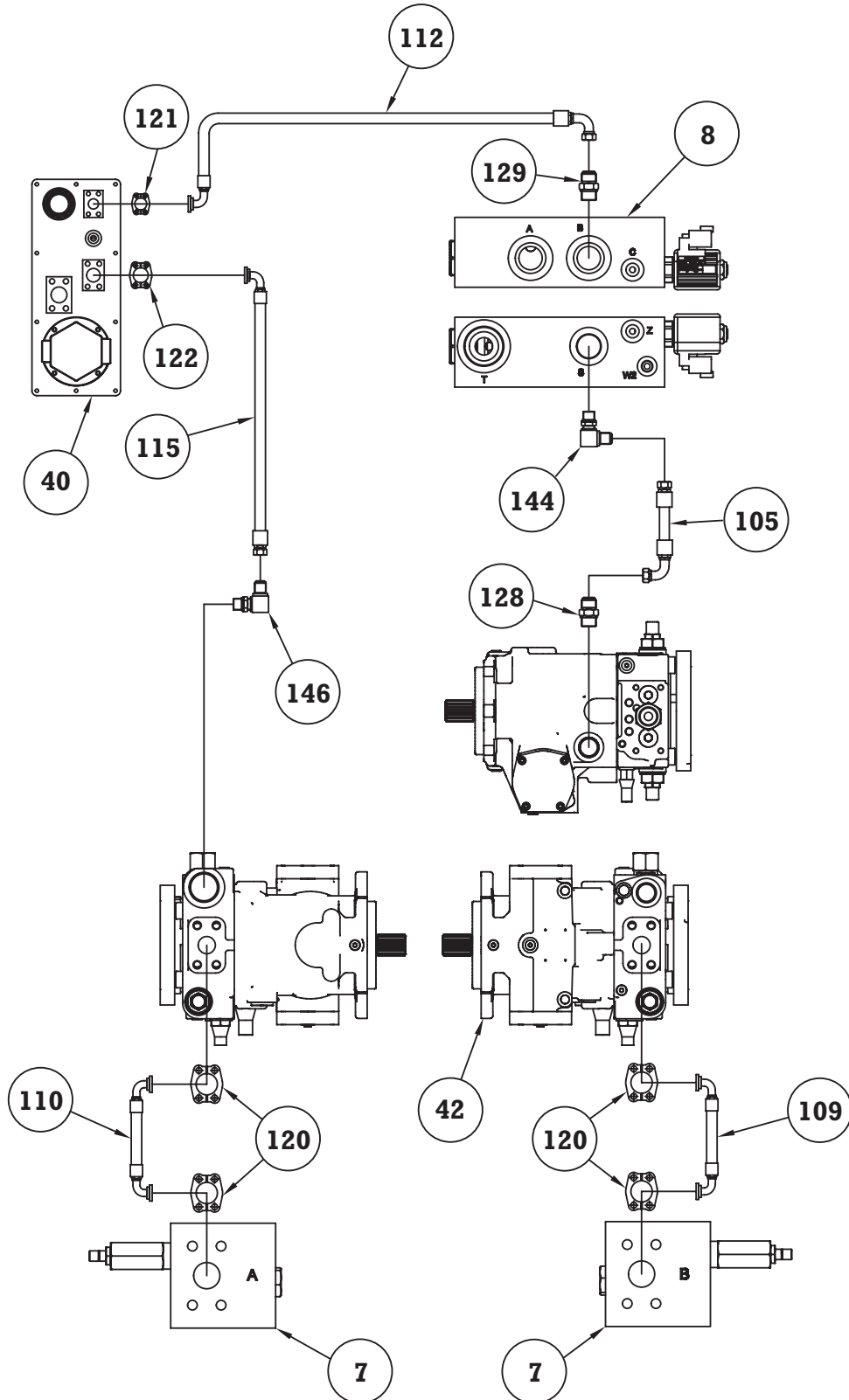
MAIN CIRCUIT



Bright Forklift

BD3-7570

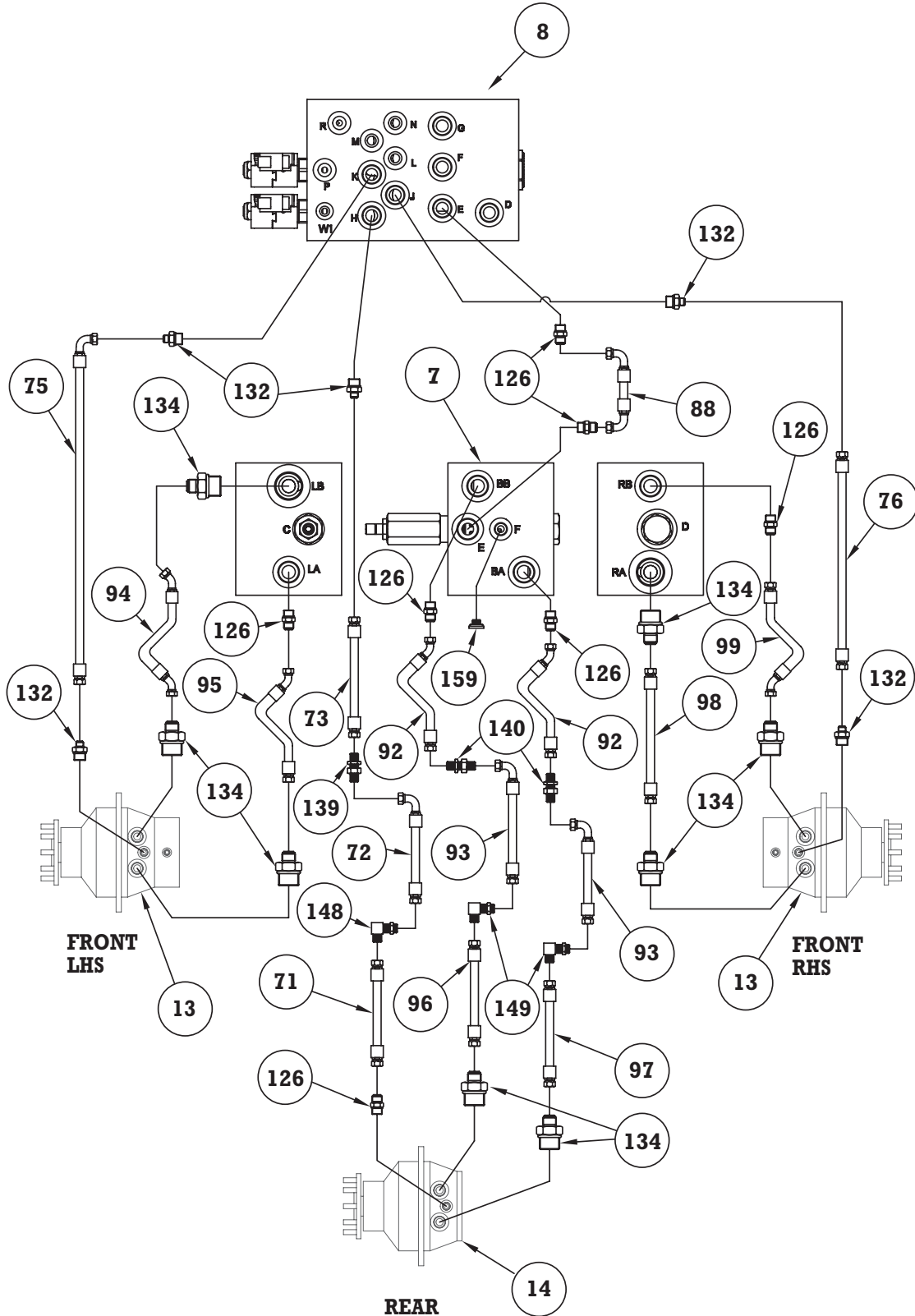
DRIVE CIRCUIT 1 OF 2 - (PUMP)



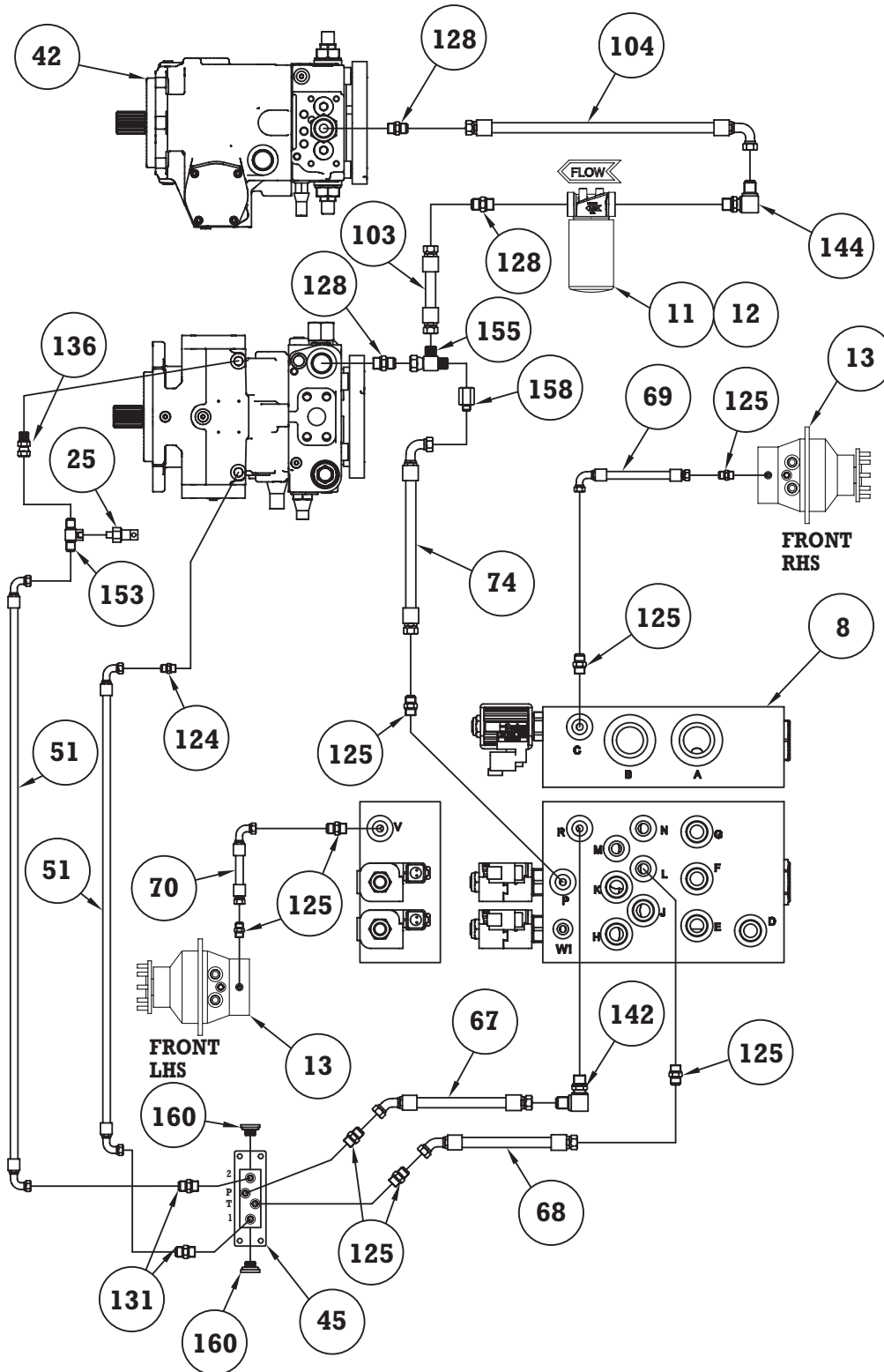
Bright Forklift

BD3-7570

DRIVE CIRCUIT 2 OF 2 - (MOTORS)



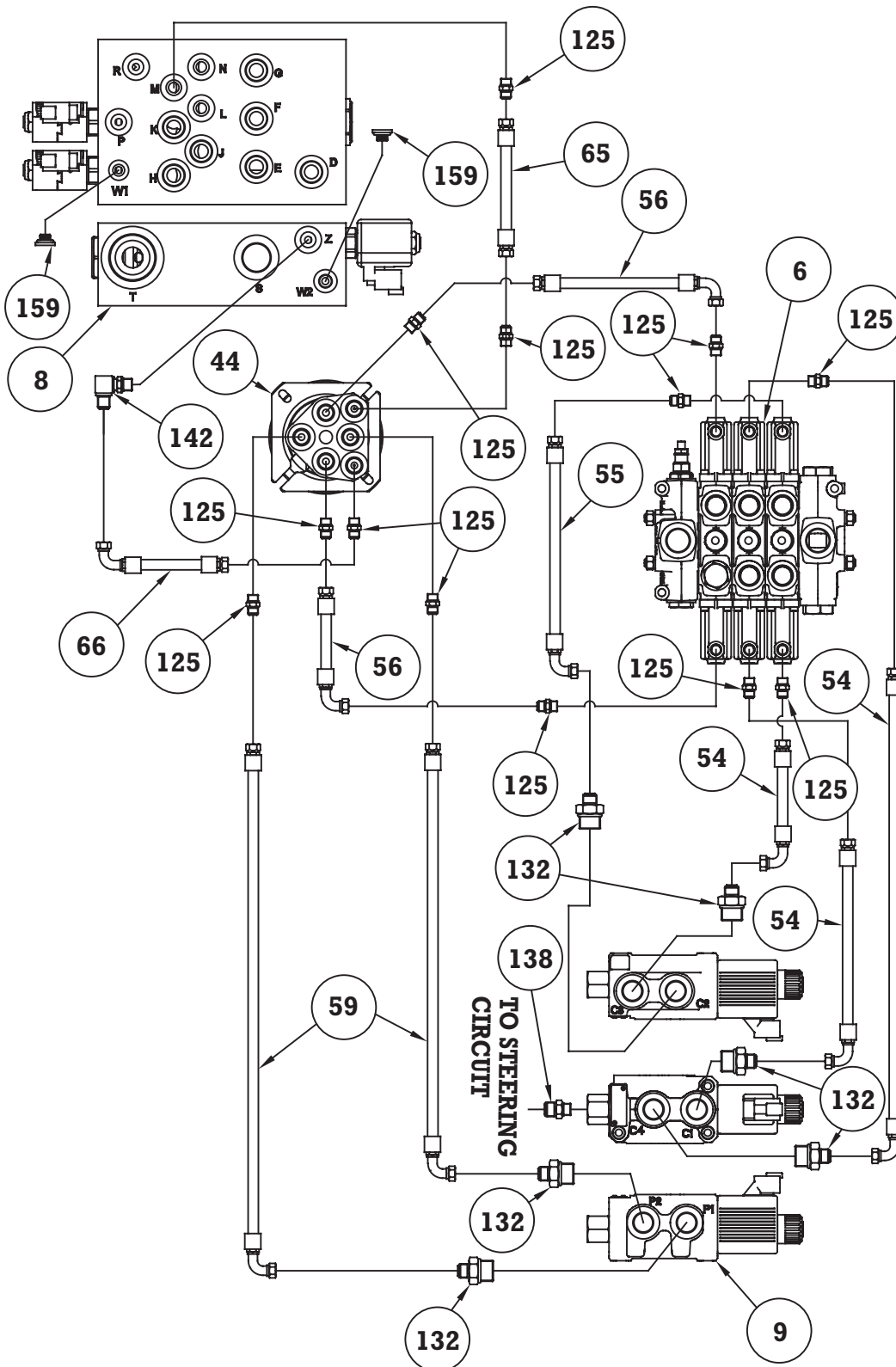
PARKING BRAKE & FNR CIRCUITS



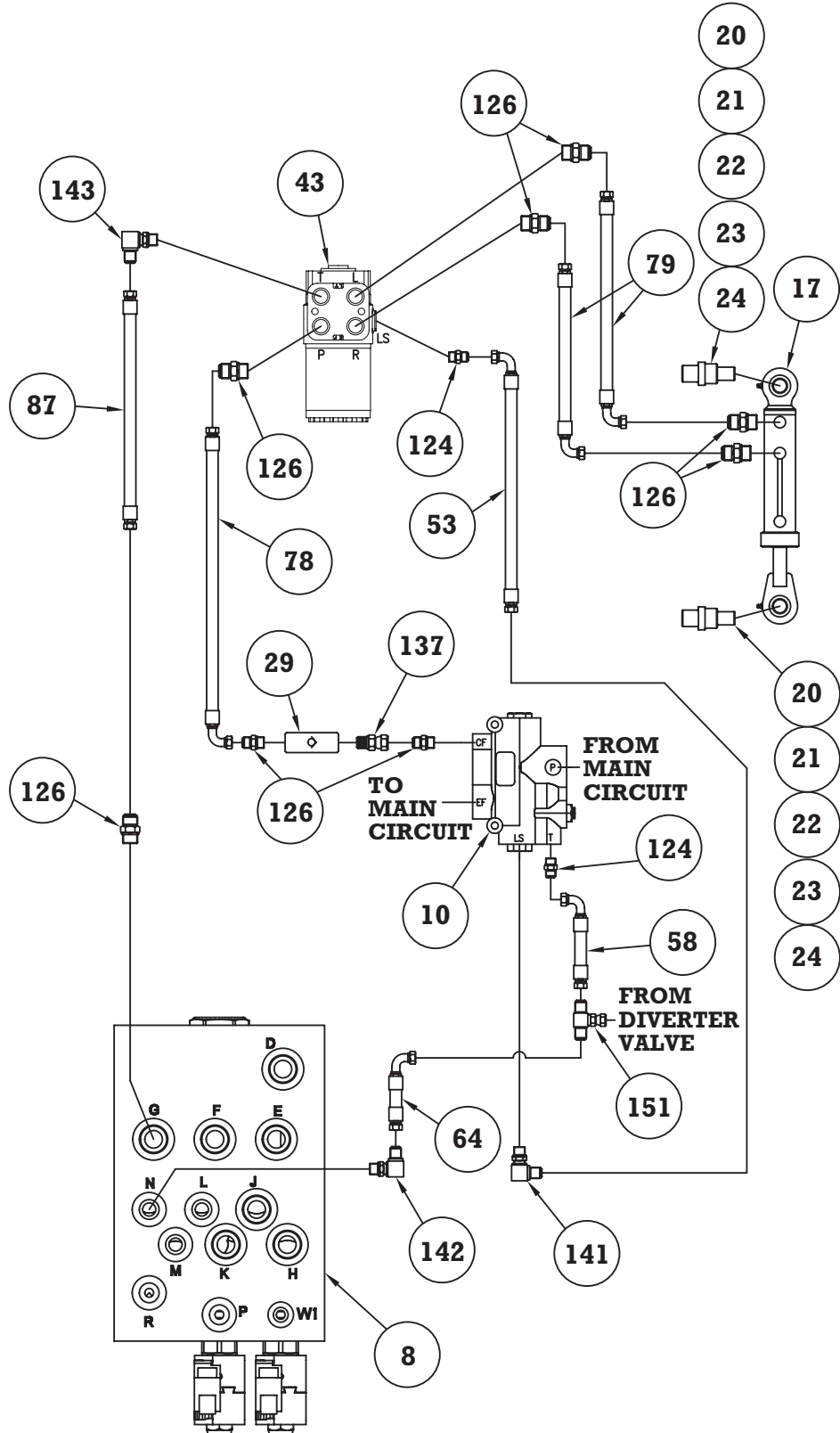
Bright Forklift

BD3-7570

JOYSTICK & DIVERTER VALVE CIRCUITS



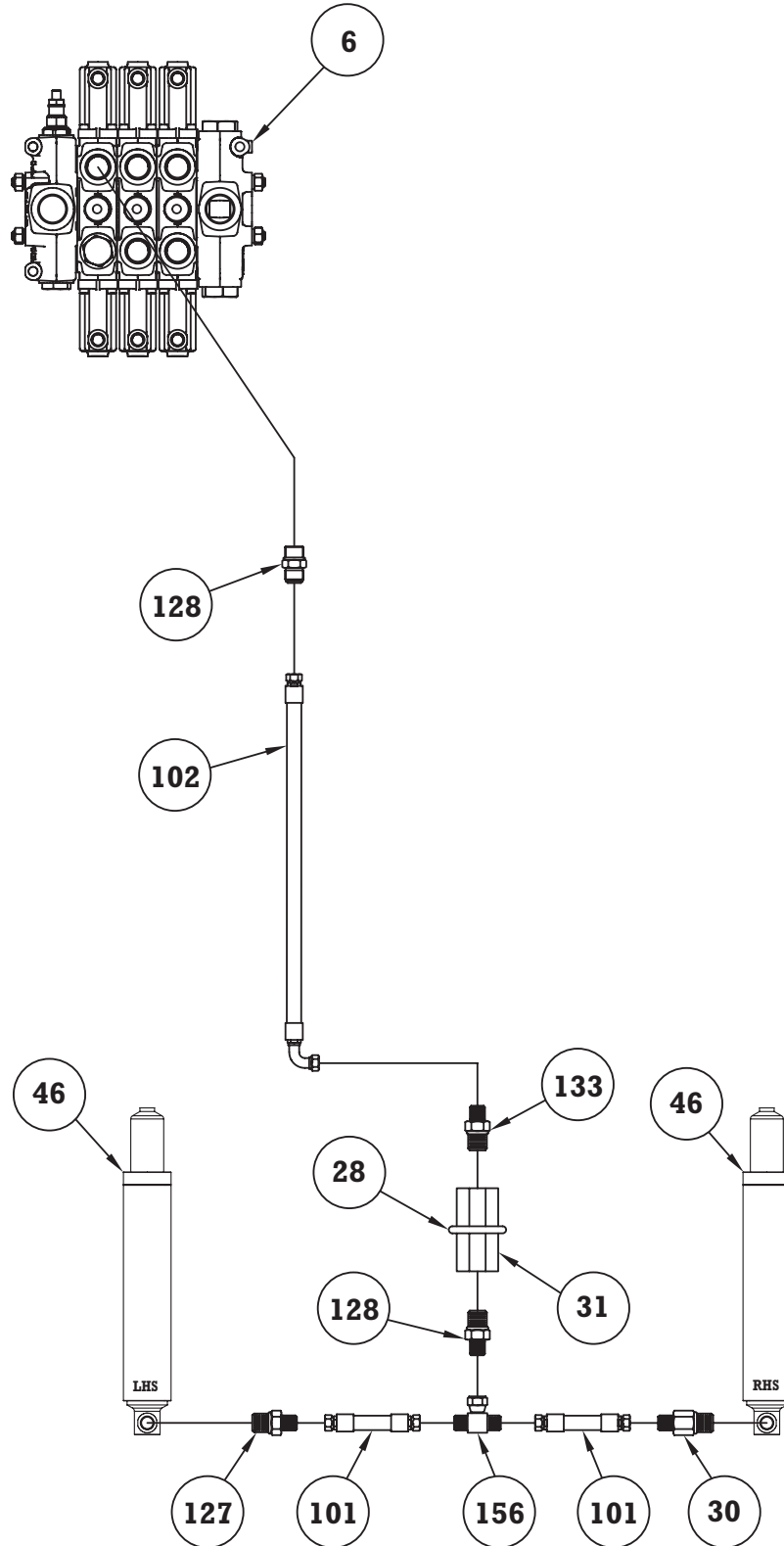
STEERING CIRCUIT



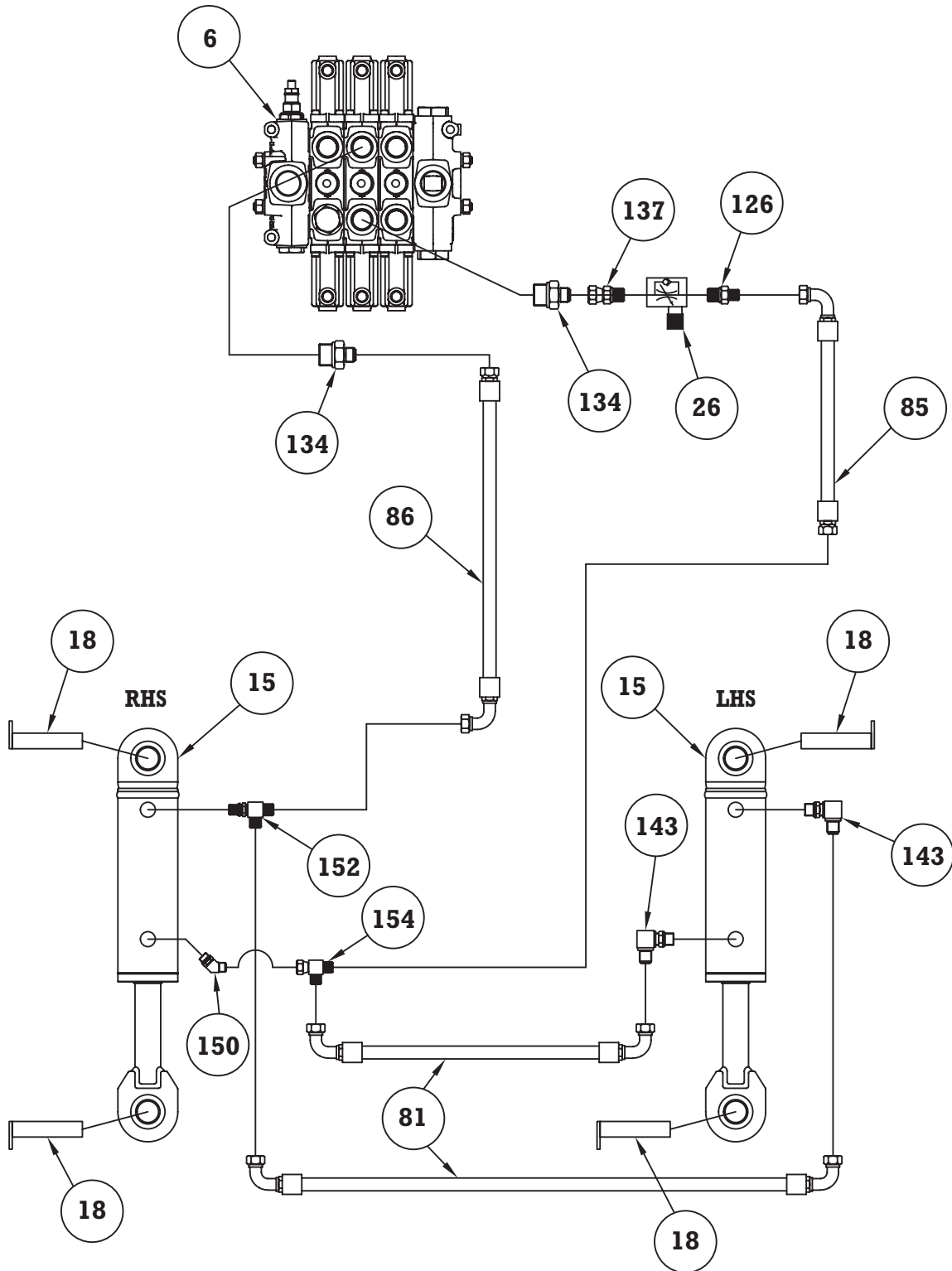
Bright Forklift

BD3-7570

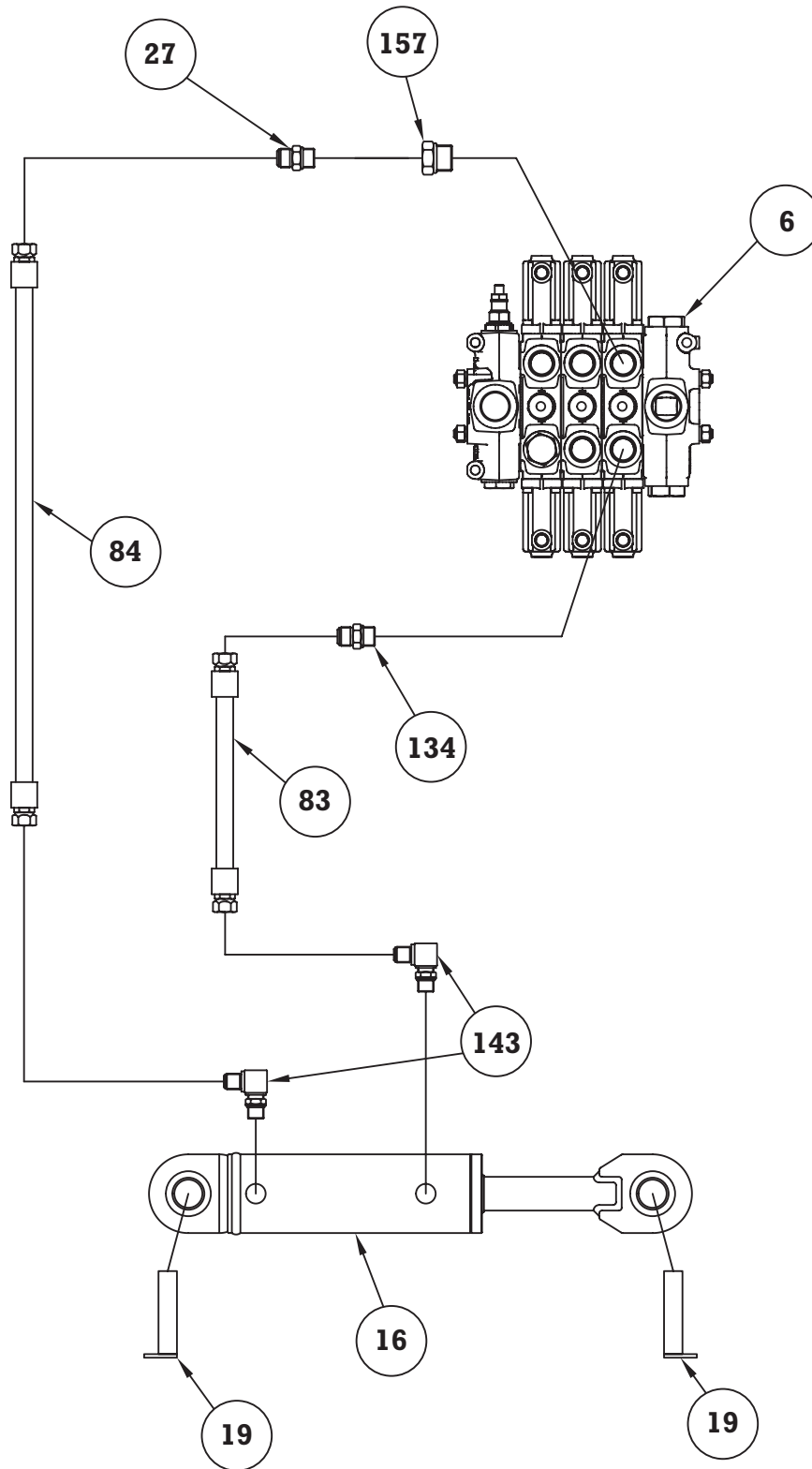
LIFT CIRCUIT



TILT CIRCUIT



SIDESHIFT CIRCUIT





Bright Forklift

BD3-7570

HYDRAULIC CIRCUIT PARTS DESCRIPTIONS BY ITEM NUMBER

ITEM	QTY.	PART NUMBER	DESCRIPTION
1	1	097-24300	HOSE KIT
2	1	097-24301	ADAPTER KIT
3	1	097-20289	TEMPERATURE SWITCH
4	1	097-21519	OIL COOLER WITH CONNECTOR
5	1	097-20590	OIL COOLER SUPPORT
6	1	097-24103	3-SECTION CONTROL VALVE
7	1	097-25516	MANIFOLD BLOCK ASSEMBLY (TRACTION)
8	1	097-25517	MANIFOLD BLOCK ASSEMBLY (EXCLUDING TRACTION)
9	1	097-24105	DIVERTER VALVE
10	1	098-01496	PRIORITY VALVE
11	1	097-20286	PRESSURE FILTER HEAD
12	1	097-20287	PRESSURE FILTER ELEMENT
13	2	097-24226	DRIVE MOTOR W/ BRAKE
14	1	097-00034	DRIVE MOTOR W/O BRAKE
15	2	097-24008	TILT CYLINDER
16	1	097-24009	SIDE SHIFT CYLINDER
17	1	097-24010	STEERING CYLINDER
18	4	097-25515	TILT CYLINDER PIN
19	2	097-21513	SIDE SHIFT CYLINDER PIN
20	1	097-24011	STEERING CYLINDER PIN
21	2	097-20188	SPECIAL WASHER
22	2	210-00022	BOLT, HEX - 1/2" - 13 NC X 1" LG. GR. 8
23	2	210-00163	NUT, 1" - 8 NC
24	2	210-00280	WASHER, FLAT - 1"
25	1	097-20364	BACKUP ALARM SWITCH
26	1	330-00630	FLOW SWITCH
27	1	330-00837	ORIFICE FITTING
28	1	210-00271	U-BOLT
29	1	810-00272	CHECK VALVE
30	1	097-24329	VELOCITY FUSE
31	1	097-24330	REGULATOR
32			



Bright Forklift

BD3-7570

HYDRAULIC CIRCUIT PARTS DESCRIPTIONS BY ITEM NUMBER

ITEM	QTY.	PART NUMBER	DESCRIPTION
33			
34			
35			
36			
37			
38			
39			
40	1	097-25514	HYDRAULIC TANK ASSEMBLY
41	1	097-24102	HYDRAULIC GEAR PUMP
42	1	097-24227	HYDROSTATIC PUMP
43	1	097-24064	STEERING UNIT
44	1	097-24104	JOYSTICK W/ PUSH BUTTON
45	1	097-25204	FNR ASSEMBLY
46	2	098-00386	LIFT CYLINDER
47			
48			
49			
50			
51	2	097-24300-01	1/4" HOSE (HYDROSTATIC PUMP TO FNR VALVE)
52			
53	1	097-24300-03	1/4" HOSE (STEERING "LS" TO PRIORITY VALVE "LS")
54	3	097-24300-04	1/4" HOSE (CONTROL VALVE TO DIVERTER VALVE "B", "C" & "D")
55	1	097-24300-05	1/4" HOSE (CONTROL VALVE TO DIVERTER VALVE "A")
56	2	097-24300-06	1/4" HOSE (JOYSTICK TO CONTROL VALVE)
57			
58	1	097-24300-08	1/4" HOSE (PRIORITY VALVE "T" TO TEE FROM DIVERTER)
59	2	097-24300-09	1/4" HOSE (JOYSTICK TO DIVERTER VALVE "P1", "P2")
60			
61			
62			
63			
64	1	097-24300-17	3/8" HOSE (TEE FROM DIVERTER VALVE TO MANIFOLD BLOCK "N")



Bright Forklift

BD3-7570

HYDRAULIC CIRCUIT PARTS DESCRIPTIONS BY ITEM NUMBER

ITEM	QTY.	PART NUMBER	DESCRIPTION
65	1	097-24300-18	3/8" HOSE (JOYSTICK TO MANIFOLD BLOCK "M")
66	1	097-24300-19	3/8" HOSE (JOYSTICK TO MANIFOLD BLOCK "W")
67	1	097-24300-20	3/8" HOSE (FNR "P" TO MANIFOLD BLOCK "R")
68	1	097-24300-21	3/8" HOSE (FNR "T" TO MANIFOLD BLOCK "L")
69	1	097-24300-22	3/8" HOSE (FRONT RIGHT HAND SIDE MOTOR BRAKE TO MANIFOLD BLOCK "C")
70	1	097-24300-23	3/8" HOSE (FRONT LEFT HAND SIDE MOTOR BRAKE TO MANIFOLD BLOCK "V")
71	1	097-24300-24	3/8" HOSE (REAR MOTOR DRAIN TO BHEAD ELBOW)
72	1	097-24300-25	3/8" HOSE (REAR MOTOR DRAIN-BHEAD ELBOW TO STR)
73	1	097-24300-26	3/8" HOSE (REAR MOTOR DRAIN-BHEAD TO MANIFOLD BLOCK "H")
74	1	097-24300-27	3/8" HOSE (TEE AT PUMP Fa" TO MANIFOLD BLOCK "P")
75	1	097-24300-28	3/8" HOSE (FRONT LEFT HAND SIDE MOTOR DRAIN TO MANIFOLD BLOCK "K")
76	1	097-24300-29	3/8" HOSE (FRONT RIGHT HAND SIDE MOTOR DRAIN TO MANIFOLD BLOCK "J")
77			
78	1	097-24300-34	1/2" HOSE (STEERING VALVE "P" TO PRIORITY VALVE "CF")
79	2	097-24300-35	1/2" HOSE (STEERING VALVE TO STEERING CYLINDER)
80			
81	2	097-24300-37	1/2" HOSE (LEFT HAND SIDE TO RIGHT HAND SIDE TILT CYLINDER)
82			
83	1	097-24300-39	1/2" HOSE (CONTROL VALVE TO SIDESHIFT CYLINDER RETRACT)
84	1	097-24300-40	1/2" HOSE (CONTROL VALVE TO SIDESHIFT CYLINDER EXTEND)
85	1	097-24300-41	1/2" HOSE (CONTROL VALVE TO TILT FLOW CONTROL)
86	1	097-24300-42	1/2" HOSE (CONTROL VALVE TO RIGHT HAND SIDE TILT CYLINDER EXTEND)
87	1	097-24300-46	1/2" HOSE (STEERING "T" TO MANIFOLD BLOCK "G")
88	1	097-24300-47	1/2" HOSE (MANIFOLD BLOCK "E" TO DRIVE BLOCK "E")
89	1	097-24300-48	1/2" HOSE (COOLER TO MANIFOLD BLOCK "D")
90	1	097-24300-49	1/2" HOSE (COOLER TO MANIFOLD BLOCK "F")
91			
92	2	097-24300-54	1/2" HOSE (REAR-MOTOR UPPER BHEAD STR TO DRIVE BLOCK)
93	2	097-24300-55	1/2" HOSE (REAR MOTOR-BHEAD ELBOW TO BHEAD STR)
94	1	097-24300-56	1/2" HOSE (FRONT LEFT HAND SIDE MOTOR TOP TO DRIVE BLOCK "LB")
95	1	097-24300-47	1/2" HOSE (FRONT LEFT HAND SIDE MOTOR BOTTOM TO DRIVE BLOCK "LA")
96	1	097-24300-58	1/2" HOSE (REAR MOTOR TOP TO LOWER BHEAD ELBOW)



Bright Forklift

BD3-7570

HYDRAULIC CIRCUIT PARTS DESCRIPTIONS BY ITEM NUMBER

ITEM	QTY.	PART NUMBER	DESCRIPTION
97	1	097-24300-59	1/2" HOSE (REAR MOTOR BOTTOM TO UPPER BHEAD ELBOW)
98	1	097-24300-60	1/2" HOSE (FRONT RIGHT HAND SIDE MOTOR BOTTOM TO DRIVE BLOCK "RA")
99	1	097-24300-61	1/2" HOSE (FRONT RIGHT HAND SIDE MOTOR TOP TO DRIVE BLOCK "RB")
100			
101	2	097-24300-64	3/4" HOSE (MAST TEE TO LEFT HAND SIDE & RIGHT HAND SIDE LIFT CYLINDERS)
102	1	097-24300-65	3/4" HOSE (MAST LIFT REGULATOR TO CONTROL VALVE)
103	1	097-24300-67	3/4" HOSE (FILTER TO TEE AT HYDROSTATIC PUMP "Fa")
104	1	097-24300-68	3/4" HOSE (HYDROSTATIC PUMP "Fe" TO FILTER)
105	1	097-24300-70	3/4" HOSE (HYDROSTATIC PUMP TO MANIFOLD BLOCK "S")
106			
107	1	097-24300-72	1" HOSE (HYDRAULIC GEAR PUMP TO PRIORITY VALVE "P")
108	1	097-24300-73	1" HOSE (PRIORITY VALVE "EF" TO CONTROL VALVE)
109	1	097-24300-75	1" HOSE (HYDROSTATIC PUMP TO DRIVE BLOCK "B")
110	1	097-24300-76	1" HOSE (HYDROSTATIC PUMP TO DRIVE BLOCK "A")
111	1	097-24300-78	1" HOSE (CONTROL VALVE TO MANIFOLD BLOCK "A")
112	1	097-24300-79	1" HOSE (HYDRAULIC TANK TO MANIFOLD BLOCK "B")
113			
114	1	097-24300-82	1-1/4" HOSE (HYDRAULIC RETURN FILTER TO MANIFOLD BLOCK "T")
115	1	097-24300-83	1-1/4" HOSE (HYDRAULIC TANK TO HYDROSTATIC PUMP)
116			
117	1	097-24300-86	1-1/2" HOSE (HYDRAULIC TANK TO HYDRAULIC GEAR PUMP)
118			
119			
120	4	330-00339	SPLIT FLANGE KIT - 1" (CODE 62)
121	2	330-00672	SPLIT FLANGE KIT - 1" (CODE 61)
122	1	330-00820	SPLIT FLANGE KIT - 1-1/4" (CODE 61)
123	1	330-00673	SPLIT FLANGE KIT - 1-1/2" (CODE 61)
124	3	330-00042	STRAIGHT THREAD CONNECTOR (#4 ORB - #4 JIC)
125	21	330-00043	STRAIGHT THREAD CONNECTOR (#6 ORB - #6 JIC)
126	14	330-00046	STRAIGHT THREAD CONNECTOR (#8 ORB - #8 JIC)
127	1	330-00347	STRAIGHT THREAD CONNECTOR (#10 ORB - #10 JIC)
128	8	330-00037	STRAIGHT THREAD CONNECTOR (#12 ORB - #12 JIC)



Bright Forklift

BD3-7570

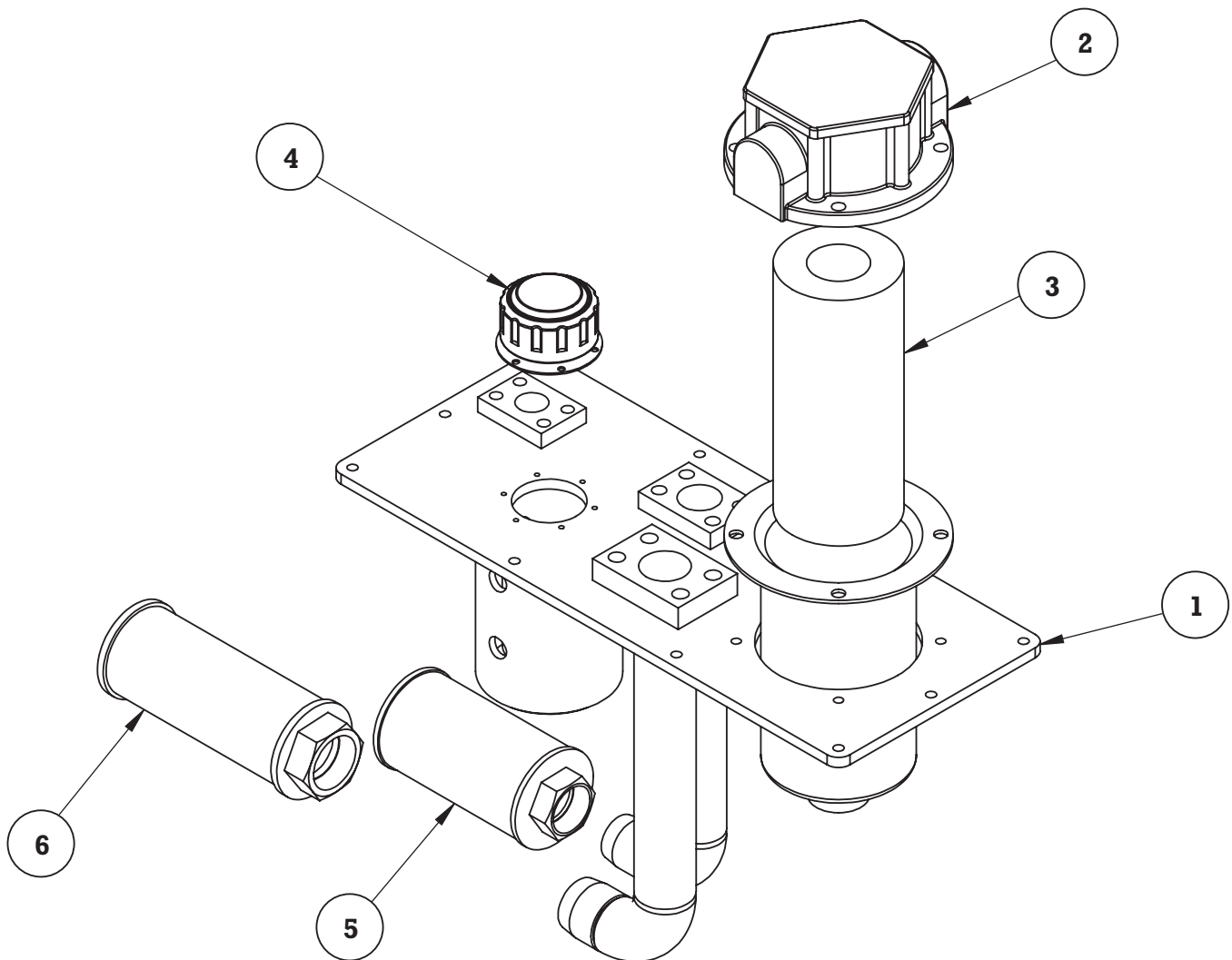
ITEM	QTY.	PART NUMBER	DESCRIPTION
129	3	330-00237	STRAIGHT THREAD CONNECTOR (#16 ORB - #16 JIC)
130	2	330-00611	STRAIGHT THREAD CONNECTOR (#20 ORB - #20 JIC)
131	2	330-00665	STRAIGHT THREAD CONNECTOR (#6 ORB - #4 JIC)
132	11	330-00045	STRAIGHT THREAD CONNECTOR (#8 ORB - #6 JIC)
133	1	330-00033	STRAIGHT THREAD CONNECTOR (#10 ORB - #12 JIC)
134	12	330-00039	STRAIGHT THREAD CONNECTOR (#12 ORB - #8 JIC)
135	2	330-00038	STRAIGHT THREAD CONNECTOR (#12 ORB - #16 JIC)
136	1	330-00664	SWIVEL STRAIGHT THREAD CONNECTOR (#4 ORB - #4 JIC)
137	2	330-00631	SWIVEL STRAIGHT THREAD CONNECTOR (#8 ORB - #8 JIC)
138	1	330-00564	SWIVEL STRAIGHT THREAD CONNECTOR (#4 ORB - #6 JIC)
139	1	330-00658	BULKHEAD UNION CONNECTOR (#6 ORB - #6 JIC)
140	2	330-00659	BULKHEAD UNION CONNECTOR (#8 ORB - #8 JIC)
141	1	330-00565	STRAIGHT THREAD ELBOW (#4 ORB - #4 JIC)
142	3	330-00114	STRAIGHT THREAD ELBOW (#6 ORB - #6 JIC)
143	7	330-00115	STRAIGHT THREAD ELBOW (#8 ORB - #8 JIC)
144	2	330-00108	STRAIGHT THREAD ELBOW (#12 ORB - #12 JIC)
145	1	330-00111	STRAIGHT THREAD ELBOW (#16 ORB - #16 JIC)
146	1	330-00112	STRAIGHT THREAD ELBOW (#20 ORB - #20 JIC)
147	1	330-00662	STRAIGHT THREAD ELBOW (#12 ORB - #8 JIC)
148	1	330-00317	BULKHEAD UNION ELBOW (#6 ORB - #6 JIC)
149	2	330-00105	BULKHEAD UNION ELBOW (#8 ORB - #8 JIC)
150	1	330-00562	STRAIGHT THREAD 45° ELBOW (#8 ORB - #8 JIC)
151	1	330-00774	SWIVEL NUT BRANCH TEE (#6 JICF - #6 JICM - #6 JICM)
152	1	330-00667	STRAIGHT THREAD RUN TEE (#8 ORB - #8 JIC - #8 JIC)
153	1	330-00657	FEMALE BRANCH TEE (#4 JIC - #4 JIC - #4 NPT)
154	1	330-00243	SWIVEL NUT RUN TEE (#8 JICF - #8 JICM - #8 JICM)
155	1	330-00733	SWIVEL NUT RUN TEE (#12 JICF - #12 JICM - #12 JICM)
156	1	330-00709	SWIVEL NUT BRANCH TEE (#12 JICM - #12 JICF - #12 JICM)
157	1	330-00311	STRAIGHT THREAD REDUCER M/F (#12 ORB - #8 ORB)
158	1	330-00831	STRAIGHT THREAD REDUCER F/M (#12 ORB - #8 ORB)
159	3	330-00669-1	HOLLOW HEX PLUG (#4 ORB)
160	2	330-00669	HOLLOW HEX PLUG (#6 ORB)



Bright Forklift

BD3-7570

HYDRAULIC TOP TANK ASSEMBLY (097-25513)



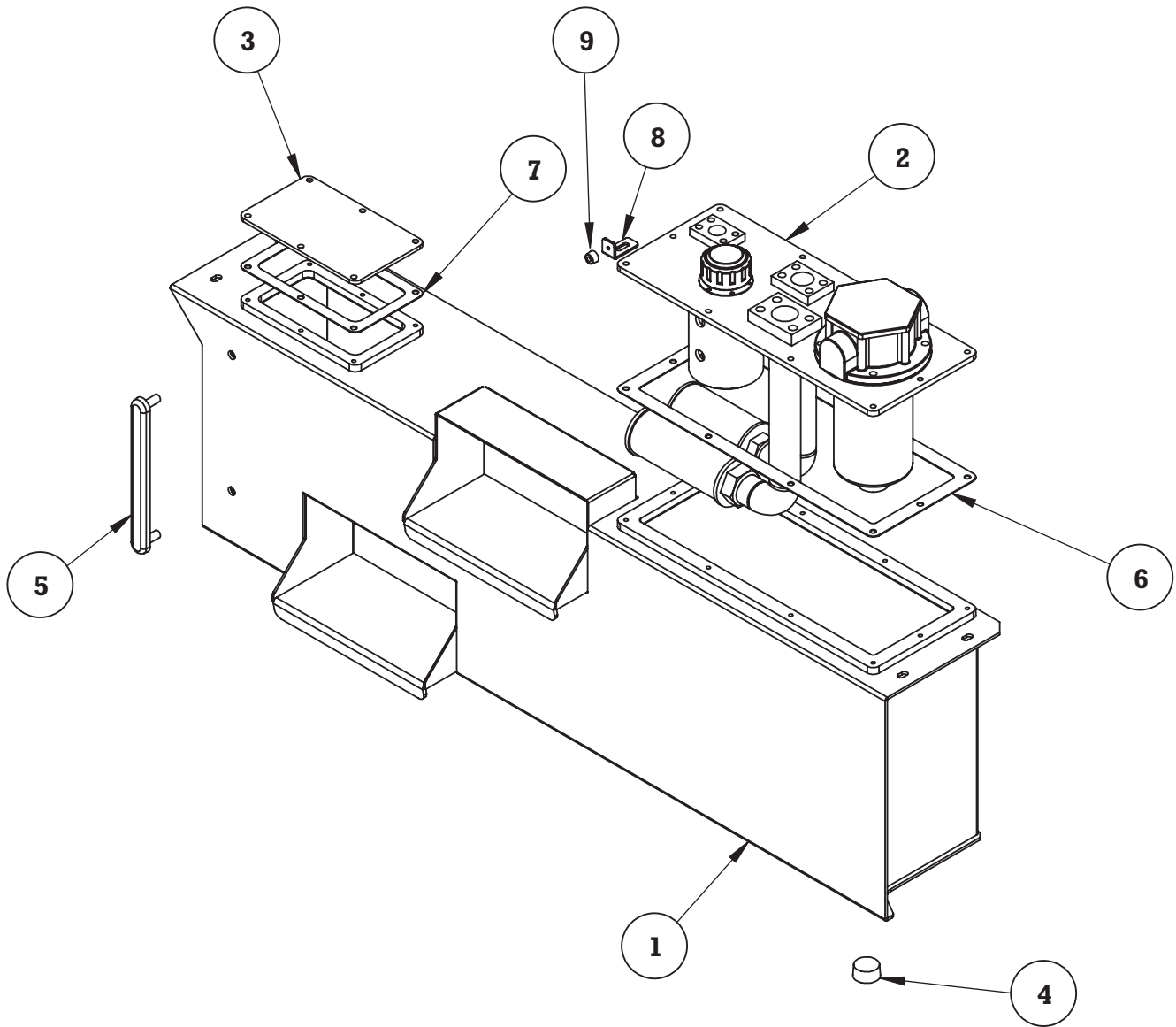


Bright Forklift

BD3-7570

HYDRAULIC TOP TANK ASSEMBLY (097-25513)

ITEM	QTY.	PART NUMBER	DESCRIPTION
1	1	097-25512	HYDRAULIC TOP TANK WELDMENT
2	1	097-24013	RETURN FILTER HEAD ASSEMBLY - SINGLE ELEMENT
3	1	097-24013E	RETURN FILTER ELEMENT
4	1	350-00016	FILLER BREATHER W/ NO BASKET
5	1	230-00056	SUCTION STRAINER
6	1	097-20191	TANK STRAINER





Bright Forklift

BD3-7570

HYDRAULIC TANK ASSEMBLY (097-25514)

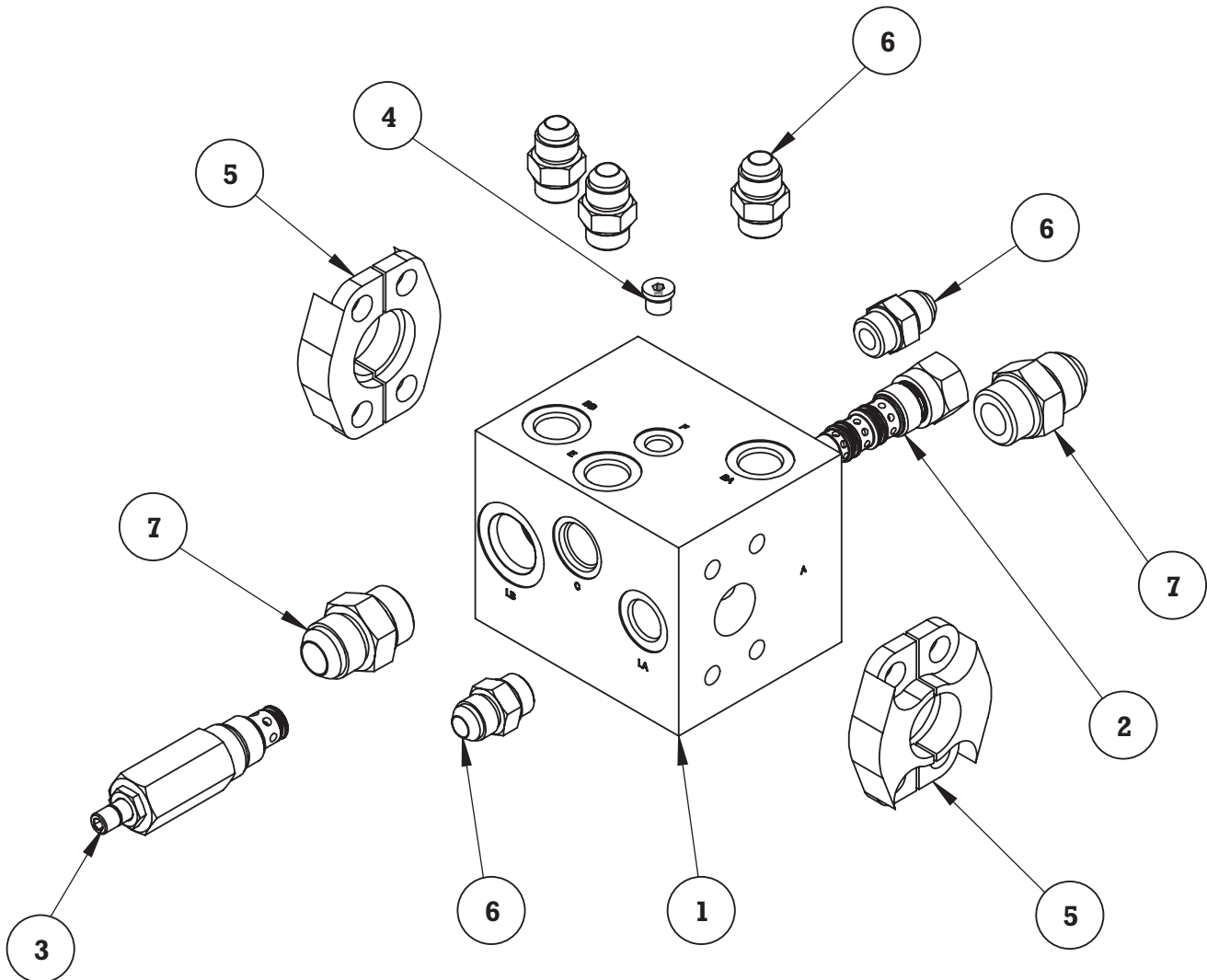
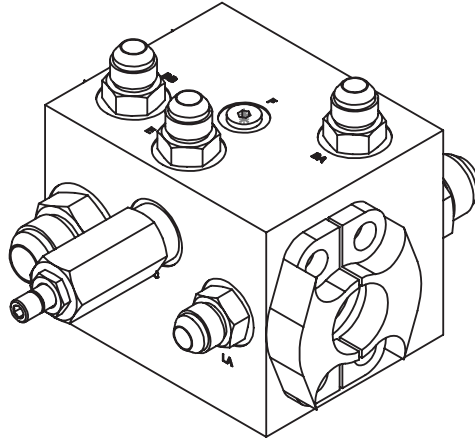
ITEM	QTY.	PART NUMBER	DESCRIPTION
1	1	097-25511	HYDRAULIC TANK WELDMENT
2	1	097-25513	HYDRAULIC TOP TANK ASSEMBLY
3	1	097-24025	HYDRAULIC TANK CLEANOUT COVER
4	1	510-00218	PLUG PIPE SOCKET HD - MAGNETIC
5	1	097-00016	SIGHT GAUGE (HYDRAULIC)
6	1	097-24306	HYDRAULIC TOP TANK GASKET
7	1	098-01266	FUEL/HYDRAULIC TANK GASKET
8	1	097-24344	ACCESS DOOR STOP BRACKET
9	1	098-01170	RUBBER BUMPER

NOTE: OIL LEVEL DECAL (097-24328) TO BE PLACED 2-1/2" FROM TOP BLACK LINE TO ARROW.

Bright Forklift

BD3-7570

DRIVE BLOCK ASSEMBLY (097-25516)





Bright Forklift

BD3-7570

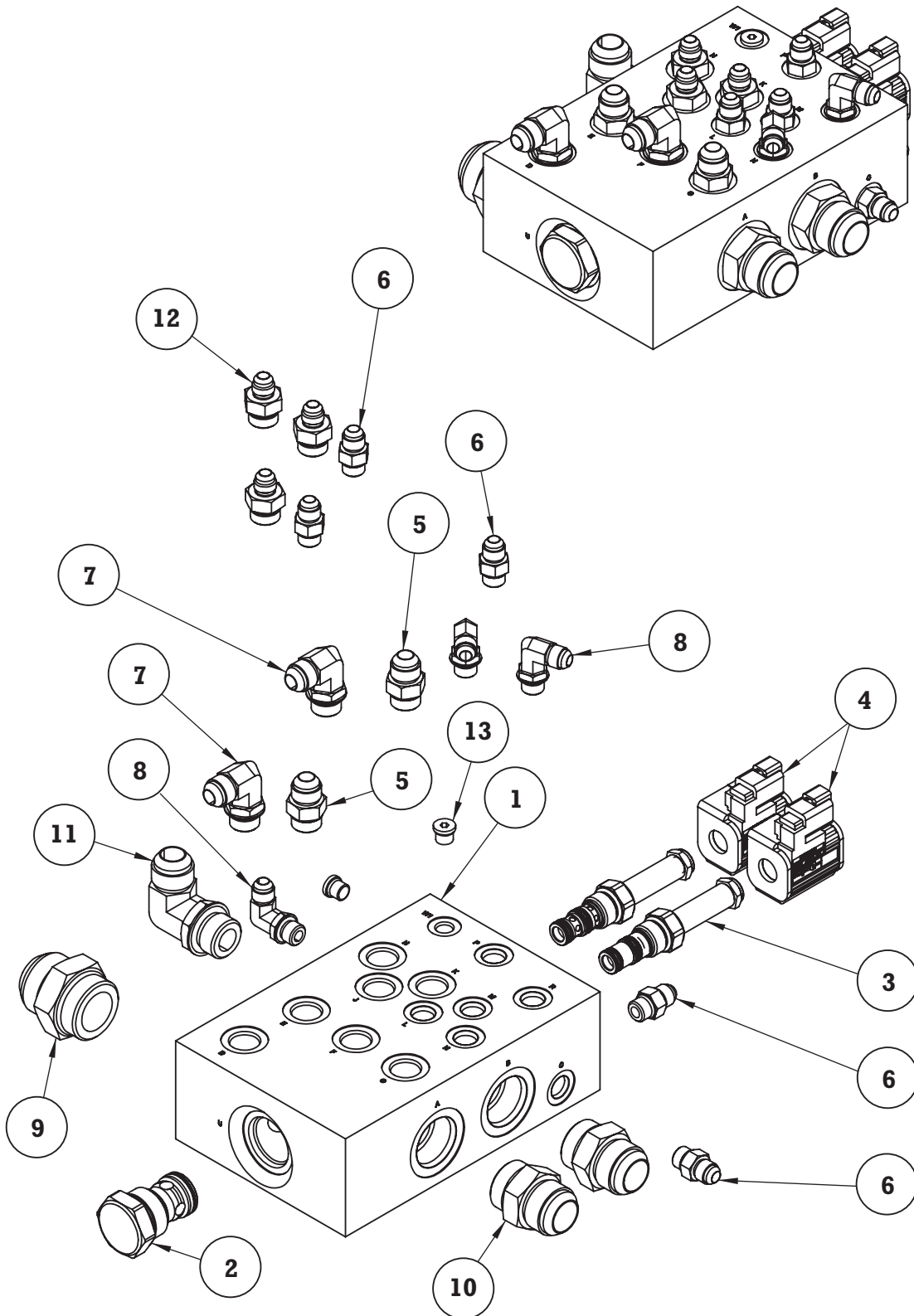
DRIVE BLOCK ASSEMBLY (097-25516)

ITEM	QTY.	PART NUMBER	DESCRIPTION
1	1	097-24249	STEEL MANIFOLD BLOCK (TRACTION)
2	1	097-20336	SHUTTLE VALVE
3	1	097-20335	RELIEF VALVE
4	1	330-00669-1	SAE #4 HOLLOW HEX PLUG
5	2	330-00339	SPLIT FLANGE CLAMP KIT CODE 62 - SIZE 16 WITH 7/16-14 UNC BOLTS
6	5	330-00046	STRAIGHT ADAPTER SAE #8 MALE X JIC #8 MALE
7	2	330-00039	STRAIGHT ADAPTER SAE #12 MALE X JIC #6 MALE

Bright Forklift

BD3-7570

MANIFOLD BLOCK ASSEMBLY (097-25517)





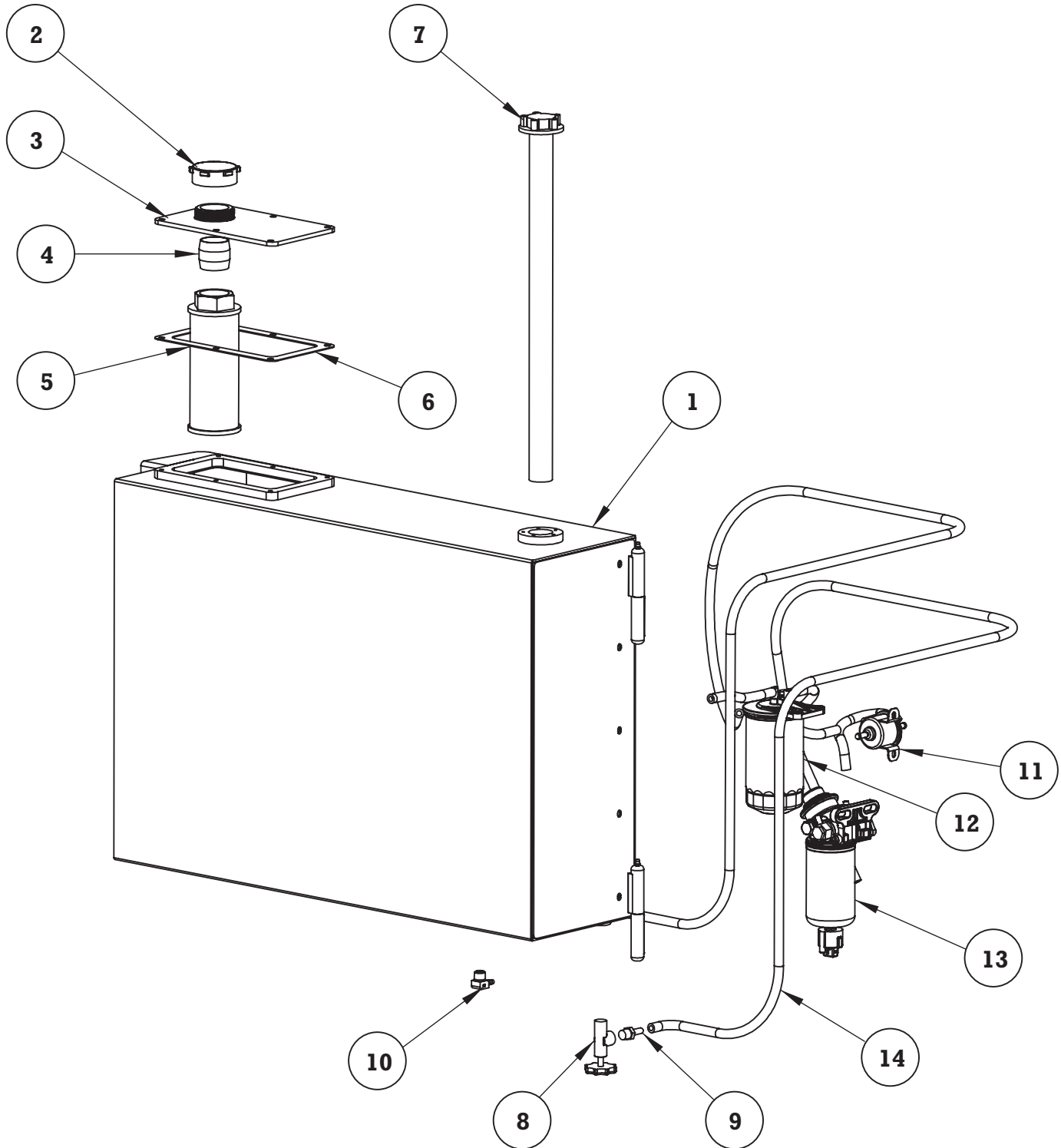
Bright Forklift

BD3-7570

MANIFOLD BLOCK ASSEMBLY (097-25517)

ITEM	QTY.	PART NUMBER	DESCRIPTION
1	1	097-24250	ALUMINUM MANIFOLD BLOCK
2	1	097-24248	CHECK VALVE (30 PSI CRACKING PRESSURE)
3	2	097-20328	2 WAY - 3 POSITION SOLENOID CARTRIDGE VALVE
4	2	097-20329	12V COIL FOR 097-20328
5	2	330-00046	STRAIGHT ADAPTER SAE #8 MALE X JIC #8 MALE
6	5	330-00043	FITTING #6 JIC X #6 SAE
7	2	330-00115	90 DEG. ADAPTER SAE #8 MALE X JIC #8 MALE
8	3	330-00114	FITTING - ELBOW #6 JIC X #6 ORB
9	1	330-00611	FITTING #20 JIC X #20 ORB
10	2	330-00237	STRAIGHT ADAPTER SAE #16 MALE X JIC #16 MALE
11	1	330-00108	ELBOW FITTING - #12 ORB X #12 JIC
12	3	330-00045	FITTING - #8 SAE X #6 JIC
13	2	330-00669-1	SAE# 4 HOLLOW HEX PLUG

FUEL CIRCUIT (097-25520)





Bright Forklift

BD3-7570

FUEL CIRCUIT (097-25520)

ITEM	QTY.	PART NUMBER	DESCRIPTION
1	1	097-25521	FUEL TANK WELDMENT (BD3-7570)
2	1	430-00350	FUEL CAP 2"
3	1	097-25523	FUEL CLEANOUT COVER WELDMENT
4	1	510-00216	NIPPLE 1-1/2" NPT CLOSE
5	1	097-20191	TANK STRAINER
6	1	098-01266	FUEL/HYD. TANK GASKET
7	1	098-01506	FUEL SENDING UNIT
8	1	098-01257	FUEL VALVE
9	1	098-01258	HOSE BARB ADAPTER
10	1	210-00610	MALE PIPE HOSE BARB - 3/8" NPT X 1/4" HOSE ID
11	-	097-20973	FUEL PUMP, ELECTRIC
12	-	097-24900	FUEL FILTER (ELEMENT ONLY)
13	-	097-20971	FILTER - WATER IN FUEL (ELEMENT ONLY)
14	20 FT.	430-00268	FUEL LINE - 5/16
15	10	370-00022	MINI CLAMP



Bright Forklift

BD3-7570

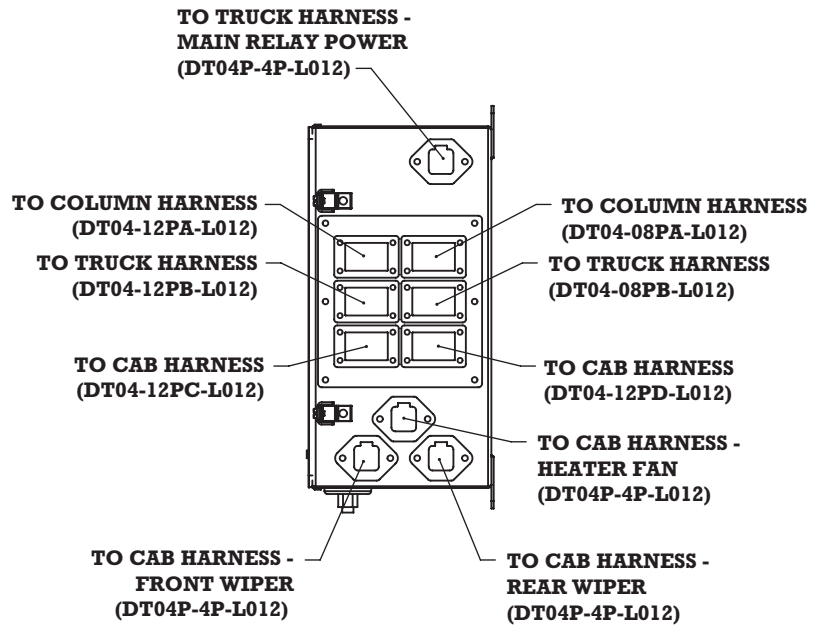
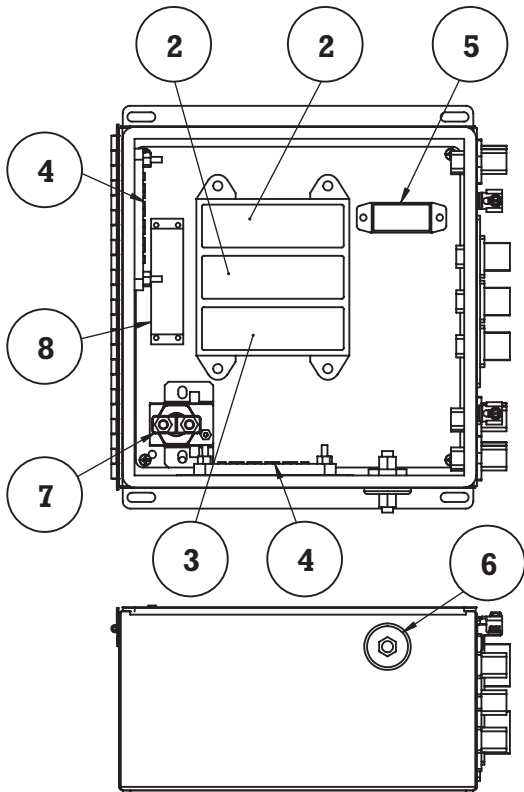
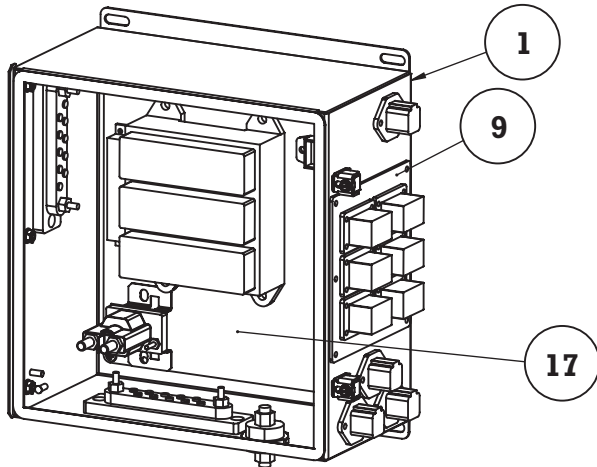
ELECTRICAL CIRCUIT (097-25540)

QTY.	PART NUMBER	DESCRIPTION
1	097-25541	ELECTRIC BOX ASSEMBLY
1	097-25543	CAB HARNESS
1	097-25544	CAB EXTENSION HARNESS
1	097-25545	MAIN TRUCK HARNESS
1	430-00375	BATTERY
1	097-21531	BATTERY HOLDER WELDMENT
1 PKG.	097-20610	J-BOLT - 5/16-18 X 10
4	097-20322	LED WORK LIGHT - WHITE
1	097-20324	STROBE LIGHT - TOP OF CAB
1	430-00195	ELECTRIC AUTO HORN
1	430-00196	BACK-UP ALARM
3	098-01503-01	TYPE 120 RELAY (CONTINUOUS)
1	097-25546	BATTERY CABLE POST (+) TO EYELET
1	097-25547	BATTERY CABLE POST (-) TO EYELET
1	097-25548	BATTERY CABLE EYELET TO EYELET - ELECTRIC BOX
1	097-25549	BATTERY CABLE EYELET TO EYELET - STARTER
1	097-25550	MAIN GROUND CABLE
1	097-25551	GRID HEATER CABLE
1	097-25552	ALTERNATOR TO STARTER CABLE
1	097-25553	CUTOFF TO STARTER CABLE
2	097-25554	RELAY JUMPER
1	097-25555	DASH HARNESS

Bright Forklift

BD3-7570

ELECTRIC BOX ASSEMBLY (097-25541)



NOTE: SEE 097-24231M FOR DRILLING OF ELEC. BOX



Bright Forklift

BD3-7570

ELECTRIC BOX ASSEMBLY (097-25541)

ITEM	QTY	PART NUMBER	DESCRIPTION
1	1	097-24231	ELECTRIC BOX - 12" X 12" X 6" - NEMA 4X
2	2	190-00793	RAISED MINI RELAY BLOCK - 4 WAY
3	1	190-00794	RAISED FUSE BLOCK - 16 WAY
4	2	190-00736	GROUNDING BUS - 10 GANG
5	1	190-00744	STANDARD FUSE BLOCK (4 WAY)
6	1	190-00792	FEEDER STUD
7	2	098-01503-01	CONTINUOUS POWER CONTACTOR
8	1	097-20858	SENDER CAN DEVICE
9	1	097-24274	BULKHEAD MOUNTING PLATE (8 & 12 PINS)
10	1	097-25542	ELECTRIC BOX HARNESS
11	8	190-00798	MINI RELAY - 40A
12	2	190-00795	FUSE - 3A
13	3	190-00745	FUSE - 5A
14	10	190-00796	FUSE - 10A
15	1	098-00777	FUSE - 15A
16	3	190-00745-1	FUSE - 20A
17	1	097-24231-01	ELECTRICAL BOX BACK PLATE



Bright Forklift

BD3-7570

SECTION 5

TIRE & WHEEL ASSEMBLY

CONTENTS

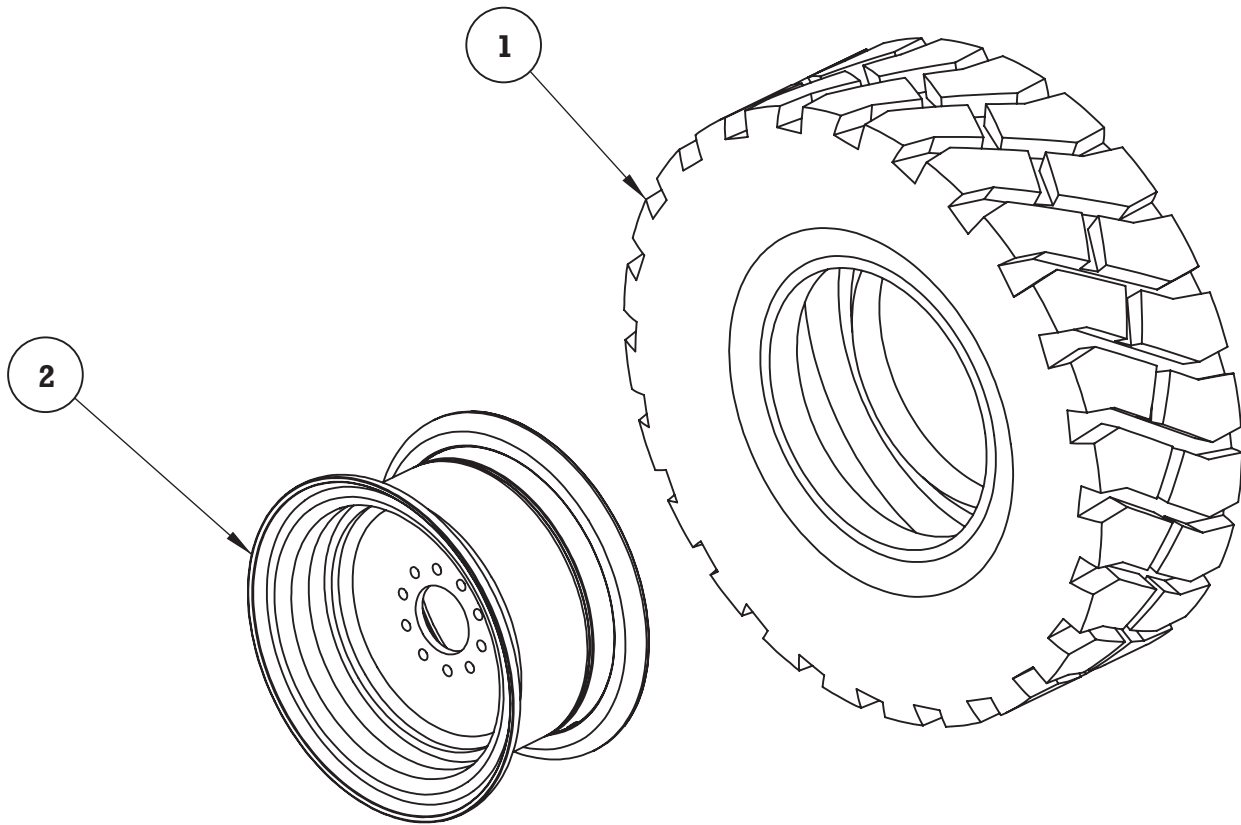
TIRE/WHEEL ASSEMBLY (097-25610)	5-2
---------------------------------------	-----



Bright Forklift

BD3-7570

TIRE/WHEEL ASSEMBLY (097-25610)





Bright Forklift

BD3-7570

TIRE/WHEEL ASSEMBLY (097-25610)

ITEM	QTY.	PART NUMBER	DESCRIPTION
1	1	097-24001	300-15 TIRE (315/70-15)
2	1	097-24002	WHEEL - 15 X 8
3	30	097-00568	WHEEL STUD
4	30	097-00569	WHEEL LUG NUT



Bright Forklift

BD3-7570

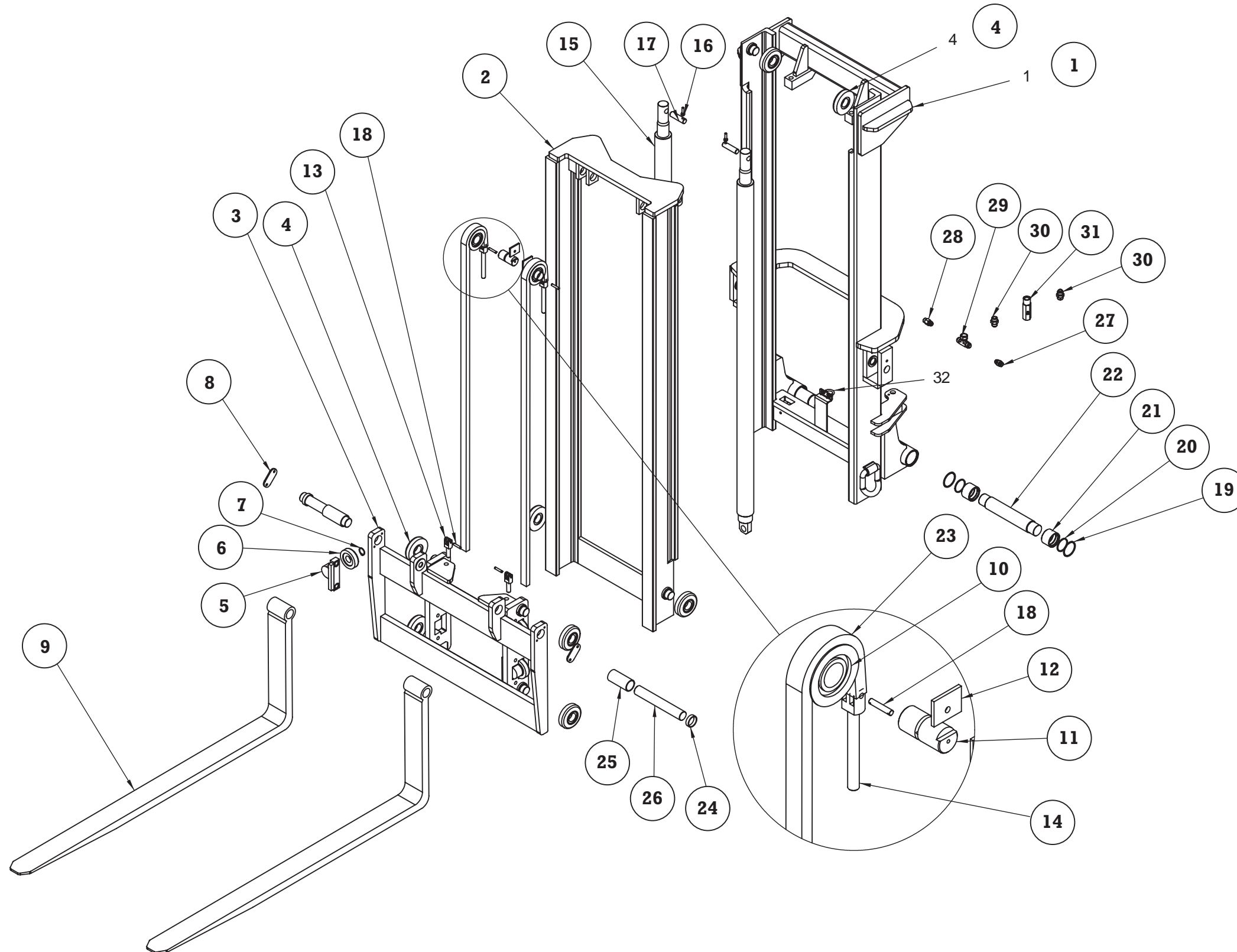
SECTION 6

MAST ASSEMBLY

CONTENTS

MAST ASSEMBLY (097-25700).....	6-3
--------------------------------	-----

MAST ASSEMBLY (097-25700)



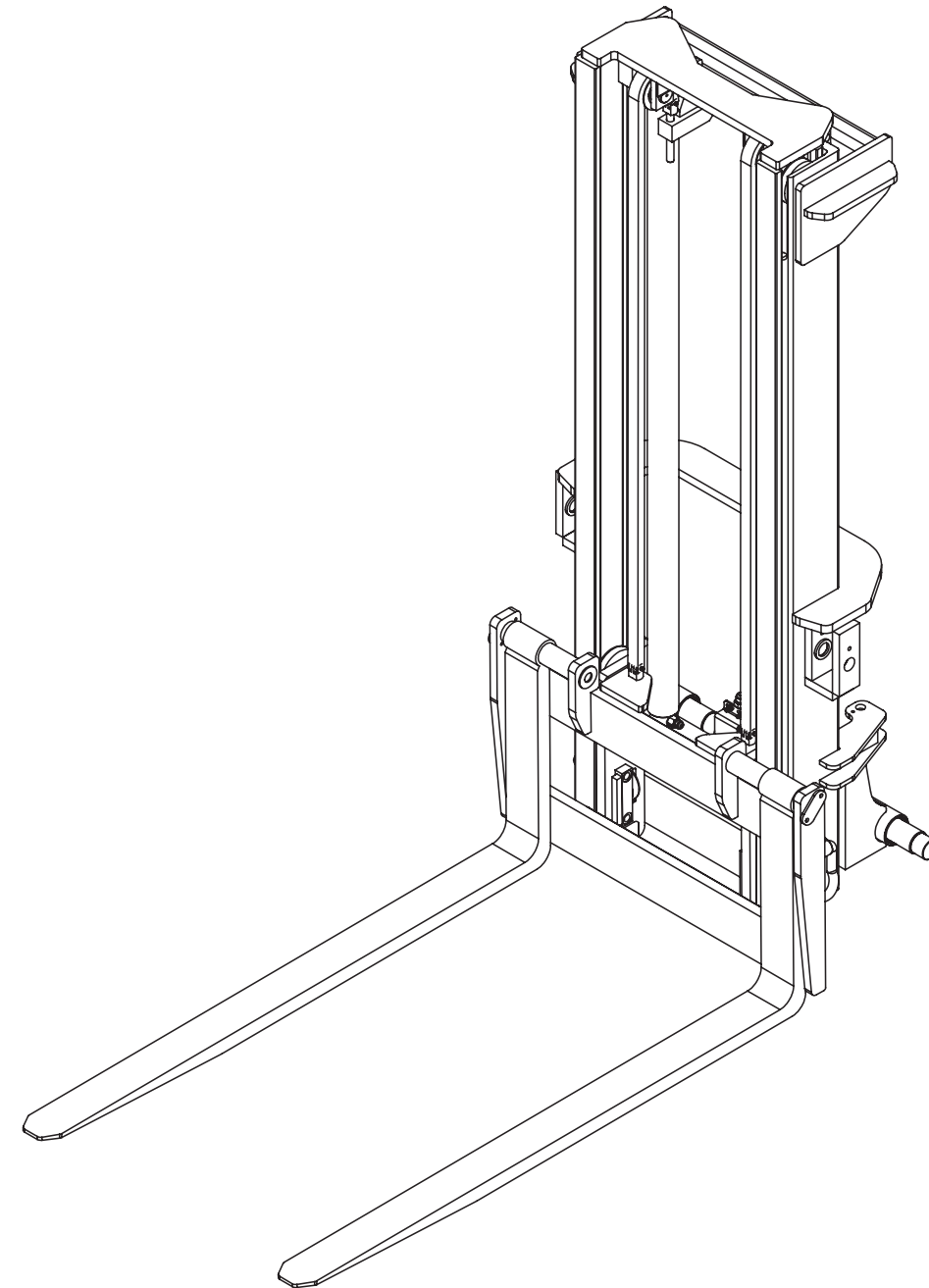


Bright Forklift

BD3-7570

MAST ASSEMBLY (097-25700)

ITEM	QTY	PART NUMBER	DESCRIPTION
1	1	097-25710	OUTER MAST WELDMENT
2	1	098-15731	INNER MAST WELDMENT
3	1	097-25711	NON-ROTATING CARRIAGE
4	8	098-00369	MAST ROLLER
5	4	098-00047	SIDE THRUST ROLLER BASE
6	4	098-00357	MAST ROLLER
7	4	098-00929	SNAP RING FOR 1-3/8" SHAFT
8	2	097-20201	FORK PIN HOLDER
9	2	098-00156	PIN TYPE STD TAPER FORK
10	2	030-00084	CHAIN ROLLER FOR BL-844
11	2	410-00117	CHAIN ROLLER PIN INNER
12	2	098-00664	PIN RETAINER
13	2	098-00006	CHAIN ANCHOR
14	2	098-00007	CHAIN ANCHOR FOR BL-844
15	2	098-00386	LIFT CYLINDER
16	2	098-01482	ROD END 3/8
17	2	098-01659	TILT CYLINDER ANCHOR PIN
18	4	098-00022	LEAF CHAIN PIN (BL-844)
19	4	098-00601	RETAINING RING
20	4	098-00602	MAST PIVOT WIPER
21	4	410-00052	MAST PIVOT BUSHING
22	2	410-00054	MAST PIVOT SHAFT
23	2	098-00402	LIFTING CHAIN (83" LG) (MAST)
24	2	097-20485	FORK SPACER 5/8 WIDE
25	2	097-24240	FORK SPACER - 5" WIDE
26	2	097-24241	FORK PIN
27	REF.	330-00347	STRAIGHT ADAPTER SAE #10 MALE X JIC #10 MALE
28	REF.	098-00360	VELOCITY FUSE
29	REF.	330-00709	SWIVEL NUT BRANCH TEE #12 JIC(M) X #12 JIC(F) X #12 JIC(M)
30	REF.	330-00037	STRAIGHT ADAPTER SAE #12 MALE X JIC #12 MALE
31	REF.	098-00361	REGULATOR
32	1	210-00271	U-BOLT 5/16" X 1" PIPE





Bright Forklift

BD3-7570

SECTION 7

HOODS, PANELS, & ACCESSORIES

CONTENTS

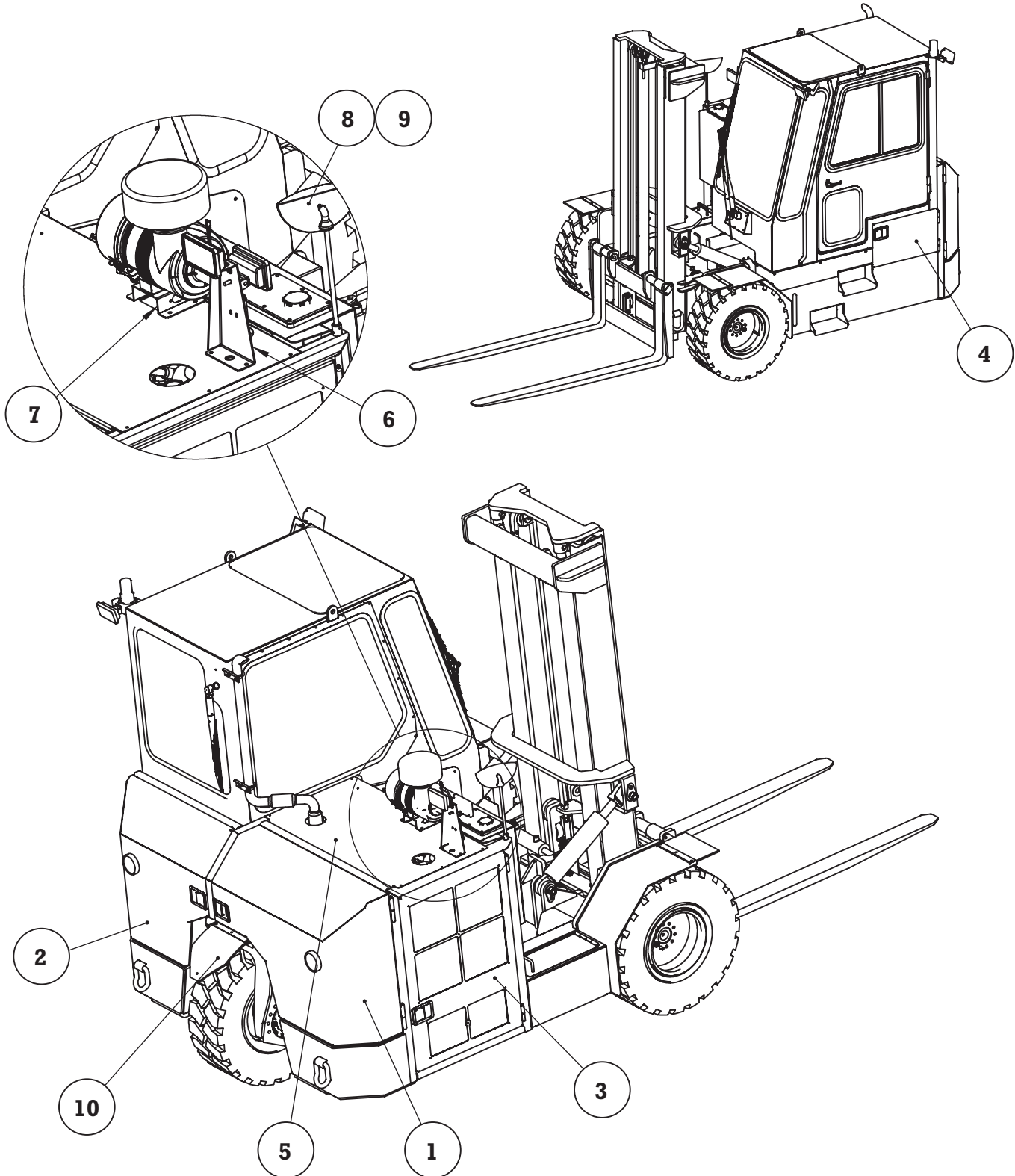
HOODS, PANELS, & ACCESSORIES (097-25800).....	7-2
REAR DOOR ASSEMBLY - ENGINE SIDE (097-25811).....	7-4
REAR DOOR ASSEMBLY - CAB SIDE (097-25813).....	7-6
RADIATOR ACCESS DOOR ASSEMBLY (097-25815).....	7-8
HYDRAULIC ACCESS DOOR ASSEMBLY (097-25817).....	7-10
MUDFLAP/SPLASHGUARD ASSEMBLY (097-25819).....	7-12



Bright Forklift

BD3-7570

HOODS, PANELS, & ACCESSORIES (097-25800)





Bright Forklift

BD3-7570

HOODS, PANELS, & ACCESSORIES (097-25800)

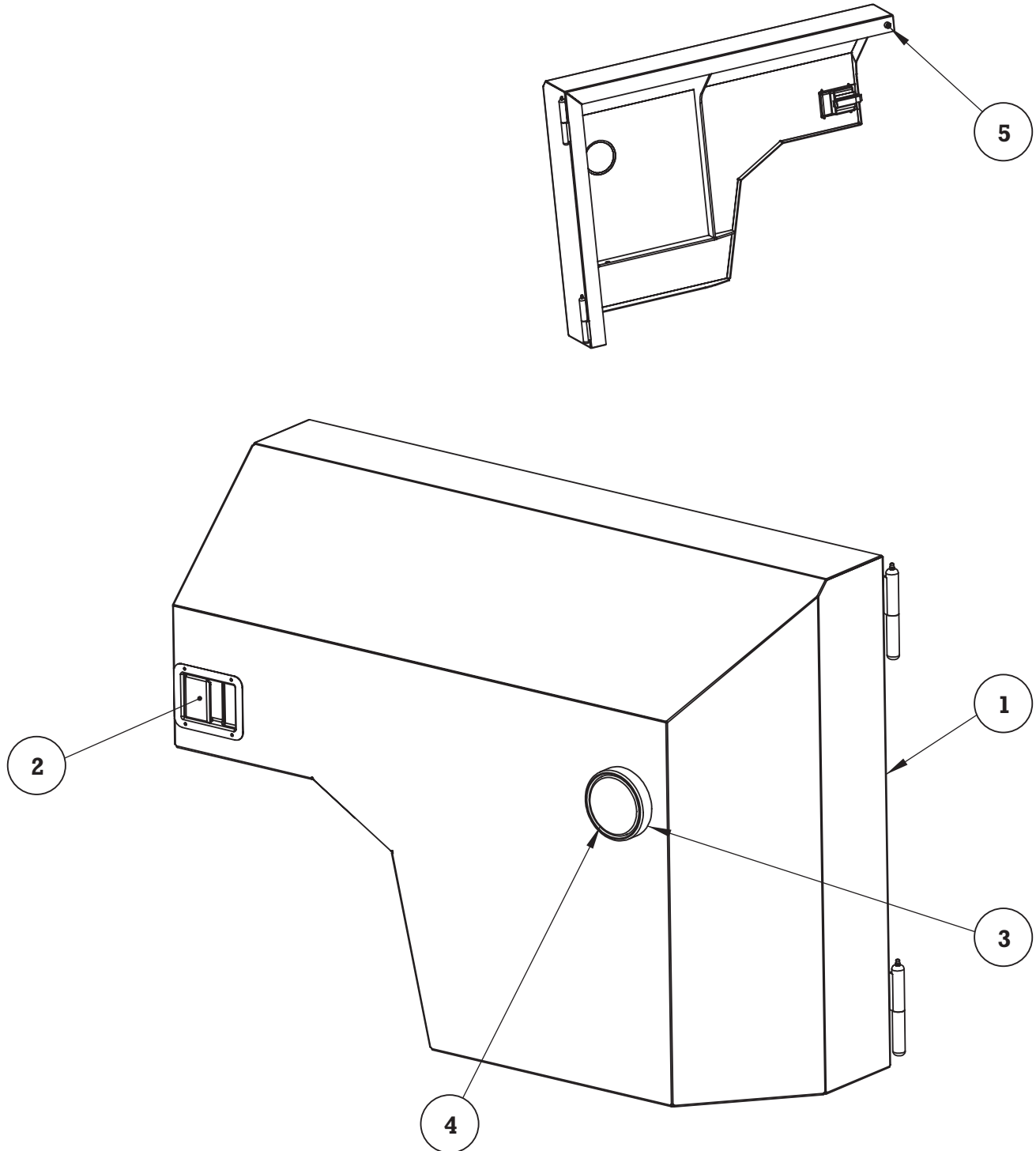
ITEM	QTY.	PART NUMBER	DESCRIPTION
1	1	097-25811	REAR DOOR ASSEMBLY - ENGINE SIDE
2	1	097-25813	REAR DOOR ASSEMBLY - CAB SIDE
3	1	097-25815	RADIATOR ACCESS DOOR ASSEMBLY
4	1	097-25817	HYDRAULIC ACCESS DOOR ASSEMBLY
5	1	097-24043	UPPER FIXED HOOD
6	1	097-24233	WORK LIGHT BRACKET
7	1	097-20777	AIR CLEANER BRACKET
8	1	097-20733	PANORAMIC MIRROR SUPPORT
9	1	097-20715	PANORAMIC MIRROR
10	1	097-25819	MUDFLAP/SPLASHGUARD ASSEMBLY



Bright Forklift

BD3-7570

REAR DOOR ASSEMBLY - ENGINE SIDE (097-25811)





Bright Forklift

BD3-7570

REAR DOOR ASSEMBLY - ENGINE SIDE (097-25811)

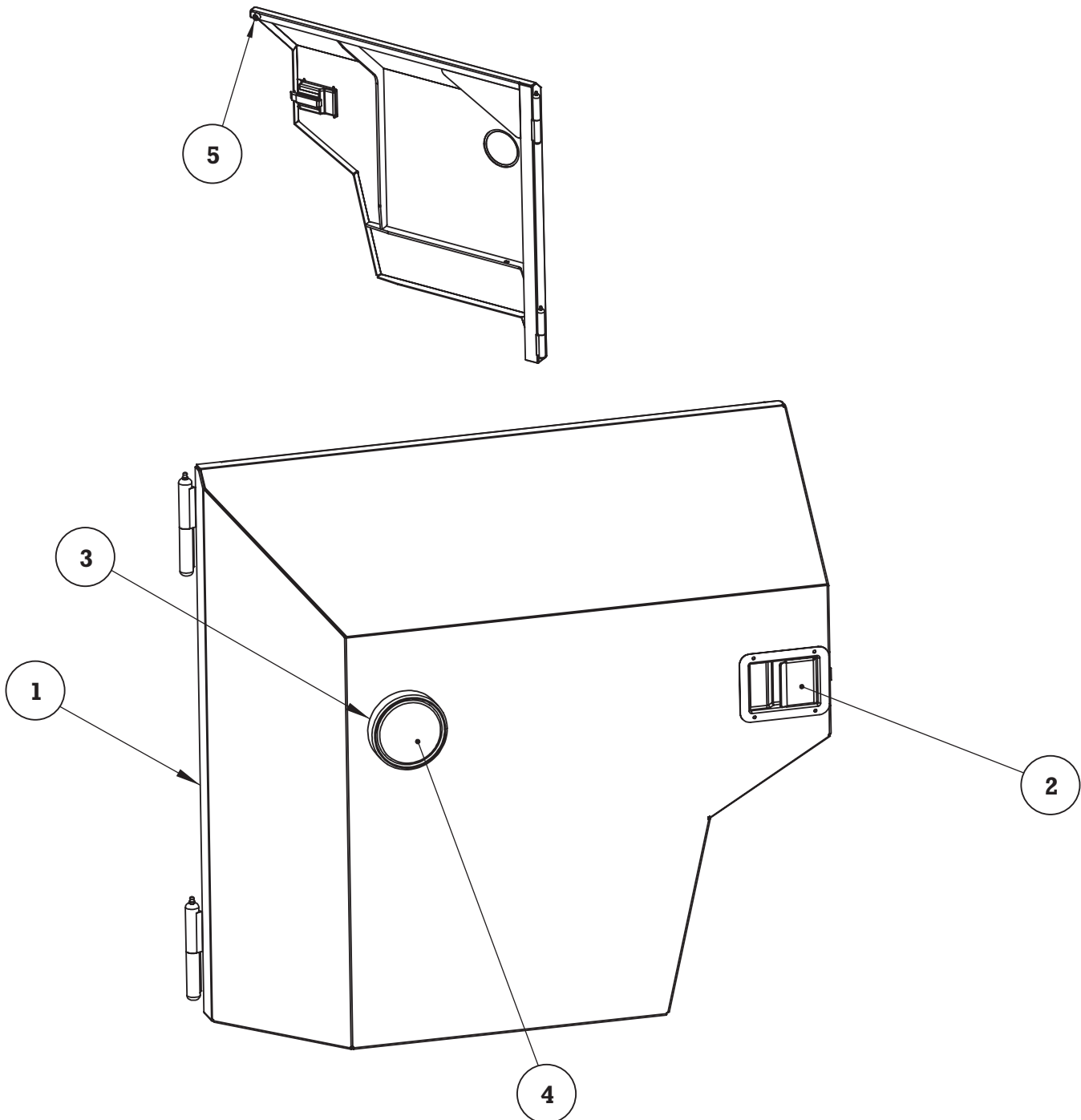
ITEM	QTY.	PART NUMBER	DESCRIPTION
1	1	097-25810	REAR DOOR WELDMENT - RIGHT HAND
2	1	097-20488	PADDLE HANDLE
3	1	190-00174	RUBBER GROMMET 4-1/4" ROUND
4	1	190-00339	BACK-UP LIGHT
5	1	098-01170	RUBBER BUMPER



Bright Forklift

BD3-7570

REAR DOOR ASSEMBLY - CAB SIDE (097-25813)





Bright Forklift

BD3-7570

REAR DOOR ASSEMBLY - CAB SIDE (097-25813)

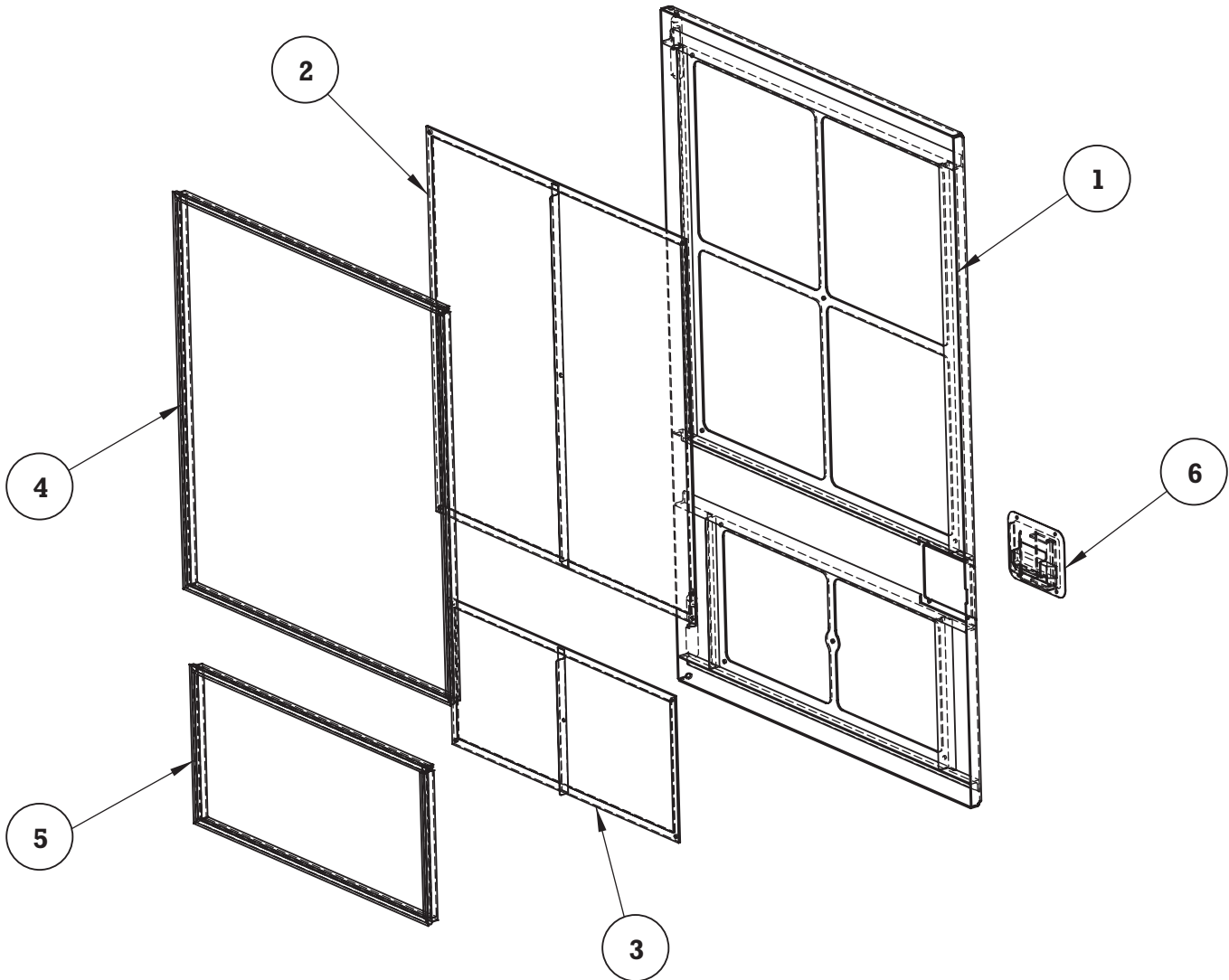
ITEM	QTY.	PART NUMBER	DESCRIPTION
1	1	097-25812	REAR DOOR WELDMENT - LEFT HAND
2	1	097-20488	PADDLE HANDLE
3	1	190-00174	RUBBER GROMMET 4-1/4" ROUND
4	1	190-00339	BACK-UP LIGHT
5	1	098-01170	RUBBER BUMPER



Bright Forklift

BD3-7570

RADIATOR ACCESS DOOR ASSEMBLY (097-25815)





Bright Forklift

BD3-7570

RADIATOR ACCESS DOOR ASSEMBLY (097-25815)

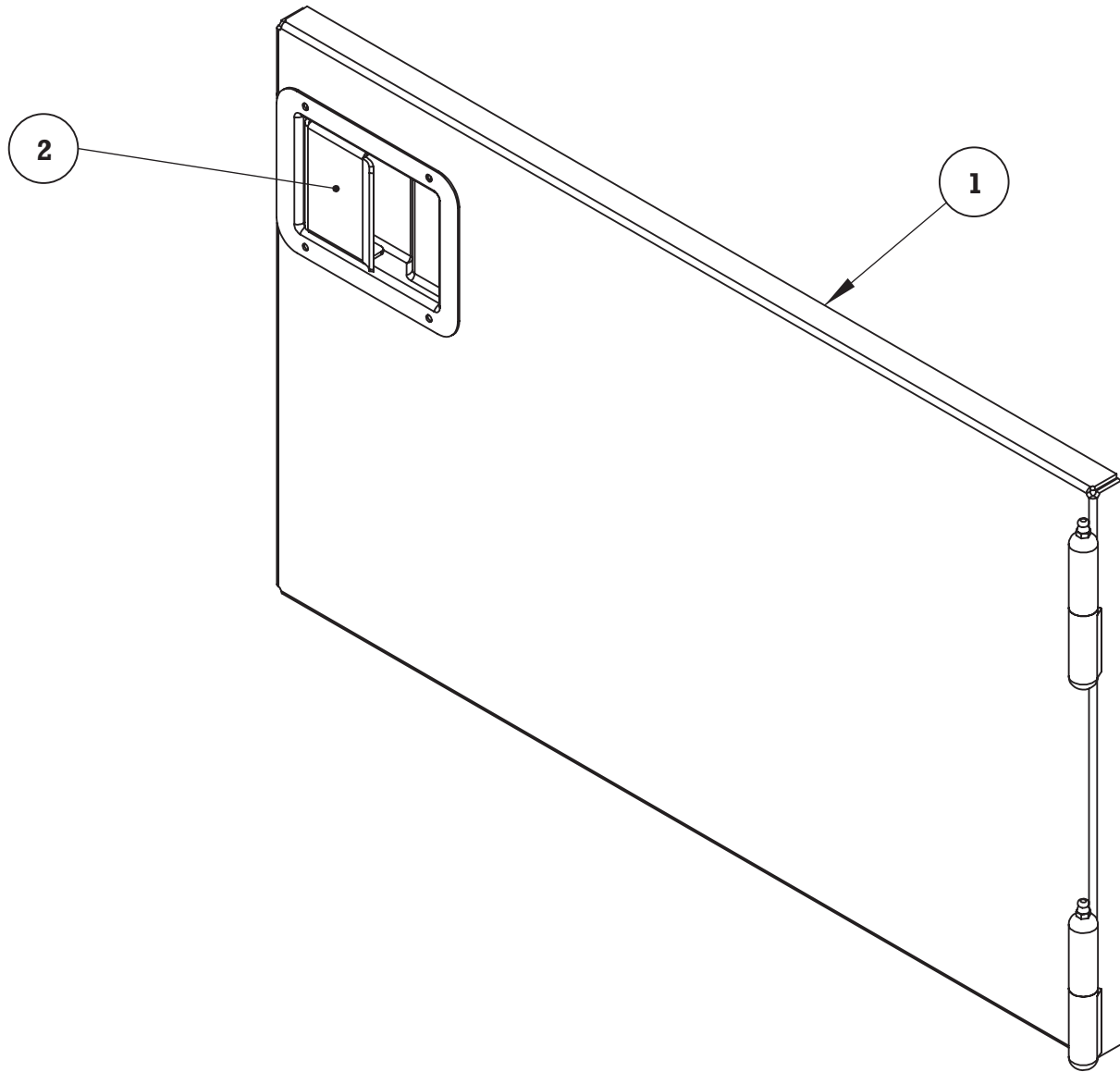
ITEM	QTY.	PART NUMBER	DESCRIPTION
1	1	097-25814	RADIATOR DOOR WELDMENT
2	1	097-24232	RADIATOR SCREEN
3	1	097-20796	OIL COOLER SCREEN (KUBOTA 65 HP ENGINE)
4	1	097-20813	TRIM SEAL DOOR GASKET X 9 FT.
5	1	097-20813	TRIM SEAL DOOR GASKET X 6 FT.
6	1	097-20488	PADDLE HANDLE



Bright Forklift

BD3-7570

HYDRAULIC ACCESS DOOR ASSEMBLY (097-25817)





Bright Forklift

BD3-7570

HYDRAULIC ACCESS DOOR ASSEMBLY (097-25817)

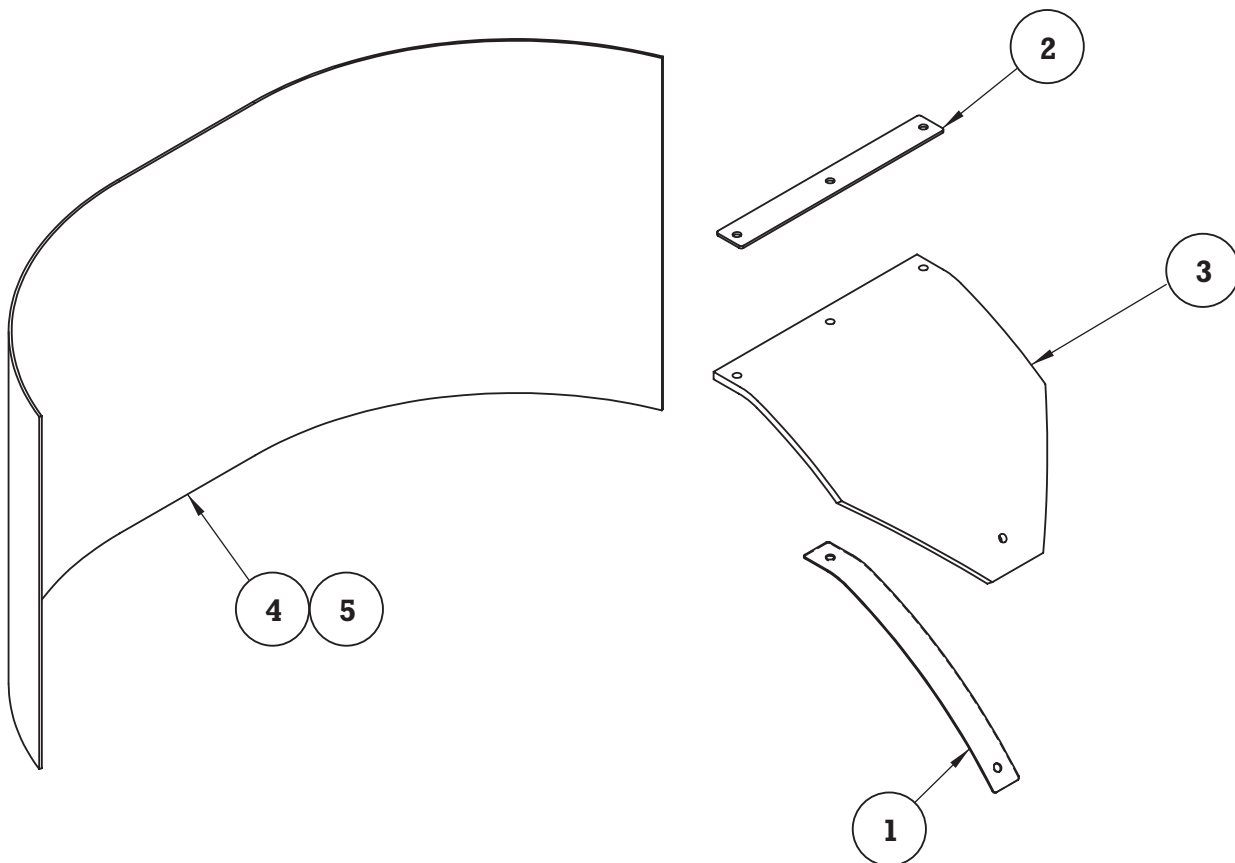
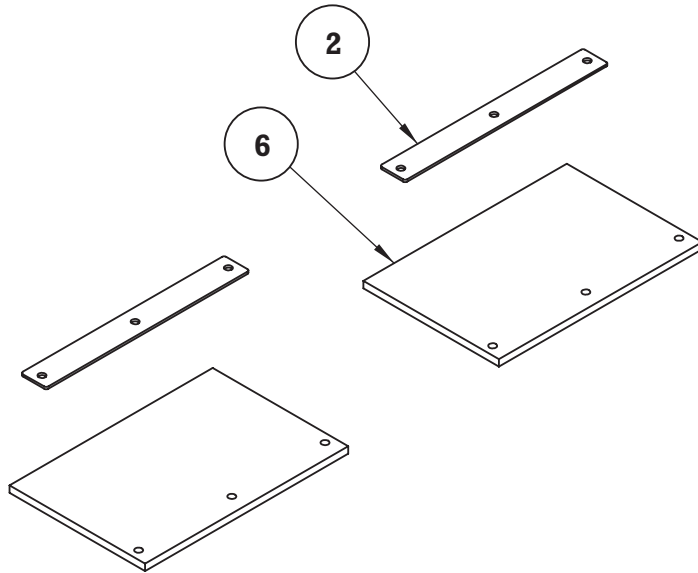
ITEM	QTY.	PART NUMBER	DESCRIPTION
1	1	097-25816	HYDRAULIC TANK ACCESS DOOR WELDMENT
2	1	097-20488	PADDLE HANDLE



Bright Forklift

BD3-7570

MUDFLAP/SPLASHGUARD ASSEMBLY (097-25819)





Bright Forklift

BD3-7570

MUDFLAP/SPLASHGUARD ASSEMBLY (097-25819)

ITEM	QTY.	PART NUMBER	DESCRIPTION
1	1	097-24332	MUDFLAP CURVED SUPPORT
2	3	097-24333	MUDFLAP HOLDER
3	1	097-24334	MUDFLAP - REAR
4	1	097-24336	SPLASHGUARD
5	5	210-00890	RETAINER RIVET - 8MM X 20MM
6	2	097-24338	MUDFLAP - FRONT



Bright Forklift

BD3-7570

SECTION 8

DECALS

CONTENTS

DECALS (097-25900).....8-3



Bright Forklift

BD3-7570

DECALS (097-25900)

QTY.	ITEM #	DESCRIPTION
3	097-24286	DECAL BRIGHT BD3-7570
1	097-24287	DECAL JOYSTICK W/O ROTATOR
1	097-24310	DECAL DASH - BD3-7570
1	097-24311	DECAL ELECTRIC BOX
1	097-20462	DECAL ENGINE OIL LEVEL
1	097-20463	DECAL DIESEL FUEL ONLY
1	097-20464	DECAL HYDRAULIC OIL ONLY
1	097-20465	DECAL CAUTION APPLY P. BRAKE
1	097-20467	DECAL MAIN SWITCH
1	097-24328	DECAL HYDRAULIC OIL LEVEL
1	097-20469	DECAL WARNING SEAT BELT
1	097-20470	DECAL WARNING OPERATION
1	097-20471	DECAL MADE WITH PRIDE IN TEXAS, USA
2	360-00102	DECAL NO RIDERS
2	360-00103	DECAL 202 WARNING KEEP CLEAR OF MAST
2	360-00105	DECAL WARNING KEEP FINGER CLEAR OF CROSSBRACING
1	360-00120	DECAL MADE IN USA
2	360-00128	DECAL WARNING CUT/CRUSH HAZARD KEEP HANDS CLEAR OF FAN AND BELTS
1	098-01765	DECAL HOT LIQUID - RADIATOR
3	097-24337	DECAL DO NOT WELD ON FRAME
1	098-00717-01	LIFT DATA PLATE, ALUMINUM (BACK DOCK)



Bright Forklift

BD3-7570

SECTION 9

MAINTENANCE ITEMS

CONTENTS

MAINTENANCE ITEMS TABLE.....	9-3
-------------------------------------	------------



Bright Forklift

BD3-7570

MAINTENANCE ITEMS TABLE

QTY.	PART NUMBER	DESCRIPTION
1	097-24013E	RETURN FILTER ELEMENT - HYDRAULIC CIRCUIT
1	097-20287	HIGH PRESSURE FILTER - HYDRAULIC CIRCUIT
1	097-24900	ENGINE FUEL FILTER ELEMENT
1	097-20971	ENGINE WATER SEPARATOR ELEMENT
1	097-24901	ENGINE OIL FILTER
1	097-20965	ENGINE AIR FILTER - OUTER ELEMENT
1	097-20966	ENGINE AIR FILTER - INNER ELEMENT



097-20971
Engine Fuel
Water Separator



097-20965
Outer Air Filter
Element



097-20966
Inner Air Filter
Element



097-01166
Oil Separator
Filter



097-20287
Hydraulic Pressure
Oil Filter



097-24013E
Hydraulic Return
Oil Filter



097-24900
Kubota Engine
Fuel Filter



097-24901
Kubota Engine
Oil Filter



Bright Forklift

BD3-7570

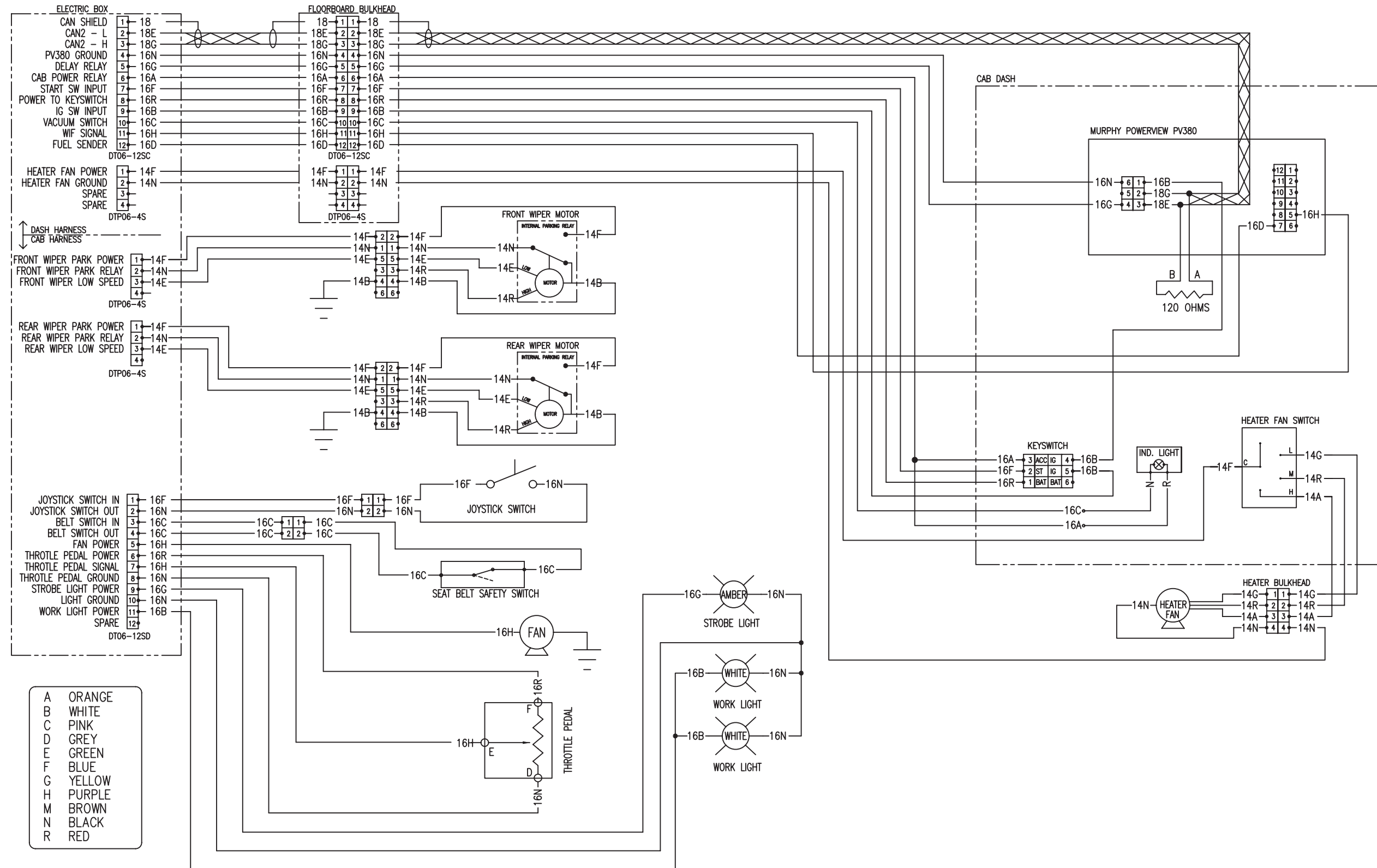
SECTION 10

SCHEMATICS

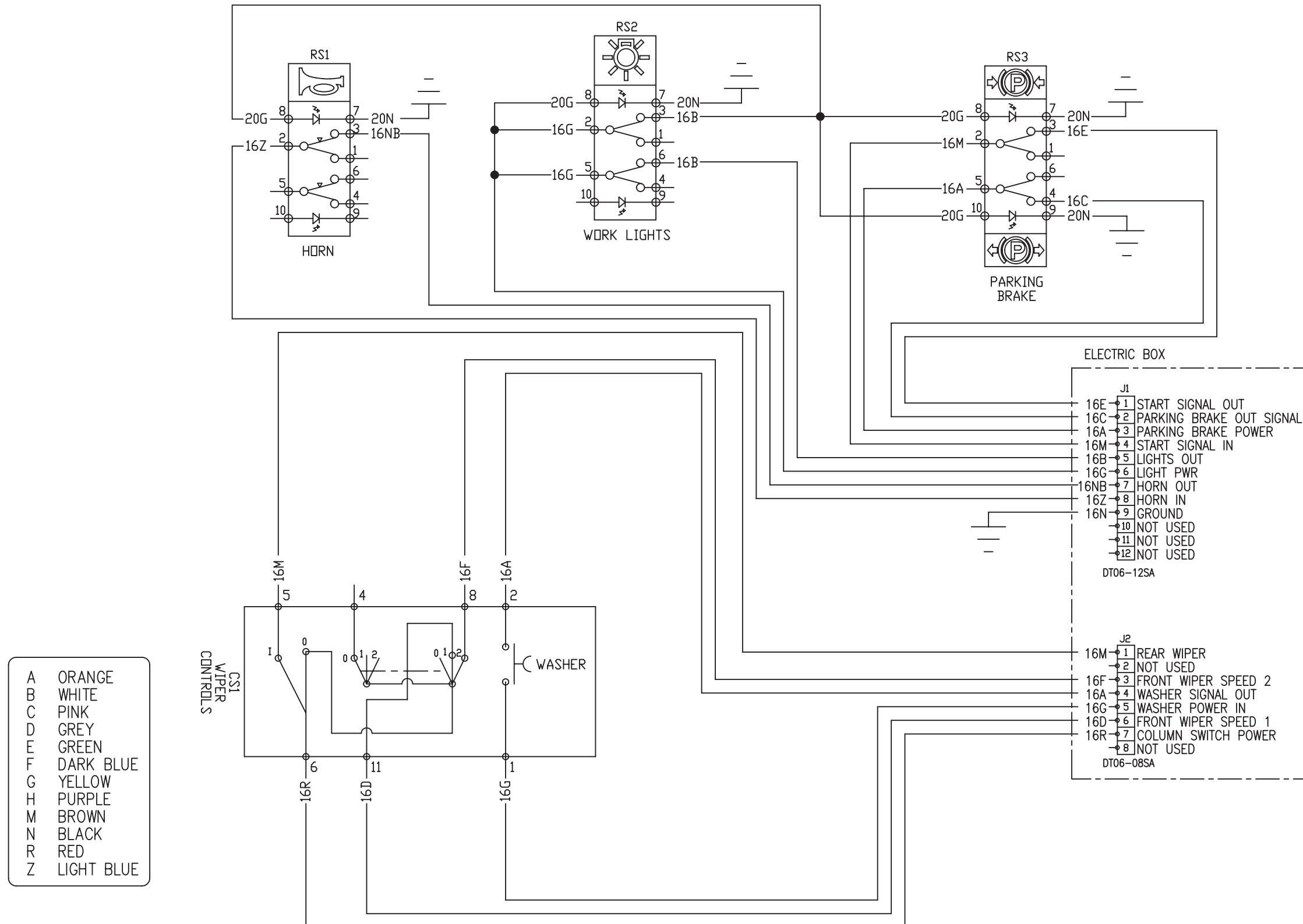
CONTENTS

ELECTRICAL SCHEMATIC - OPERATOR CAB.....	10-3
ELECTRICAL SCHEMATIC - COLUMN	10-5
ELECTRICAL SCHEMATIC - ELECTRIC BOX.....	10-7
ELECTRICAL SCHEMATIC - TRUCK.....	10-9
HYDRAULIC SCHEMATIC - FOR TRACTION.....	10-11
HYDRAULIC SCHEMATIC - EXCLUDING TRACTION	10-13

ELECTRICAL SCHEMATIC - OPERATOR CAB



ELECTRICAL SCHEMATIC - COLUMN

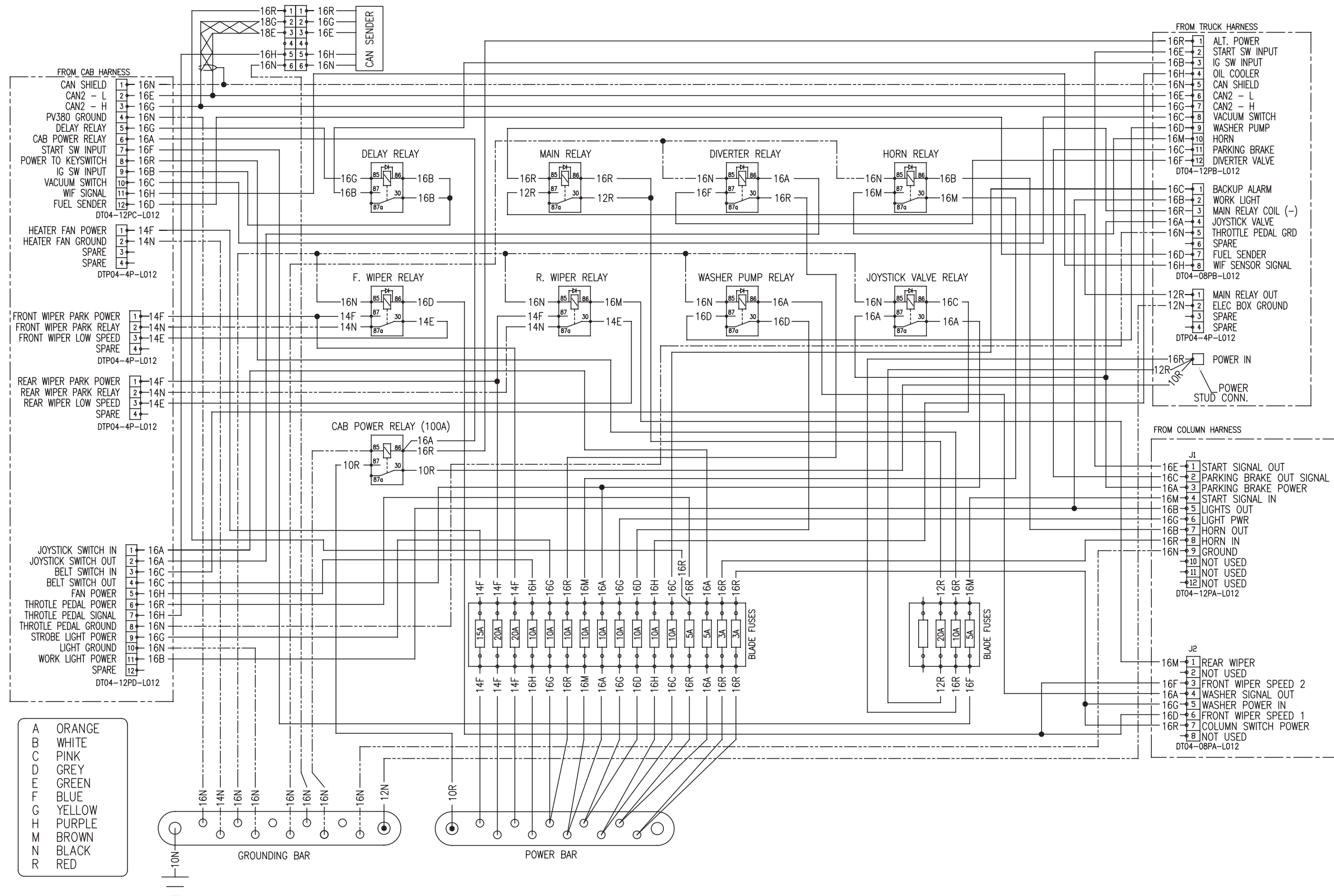




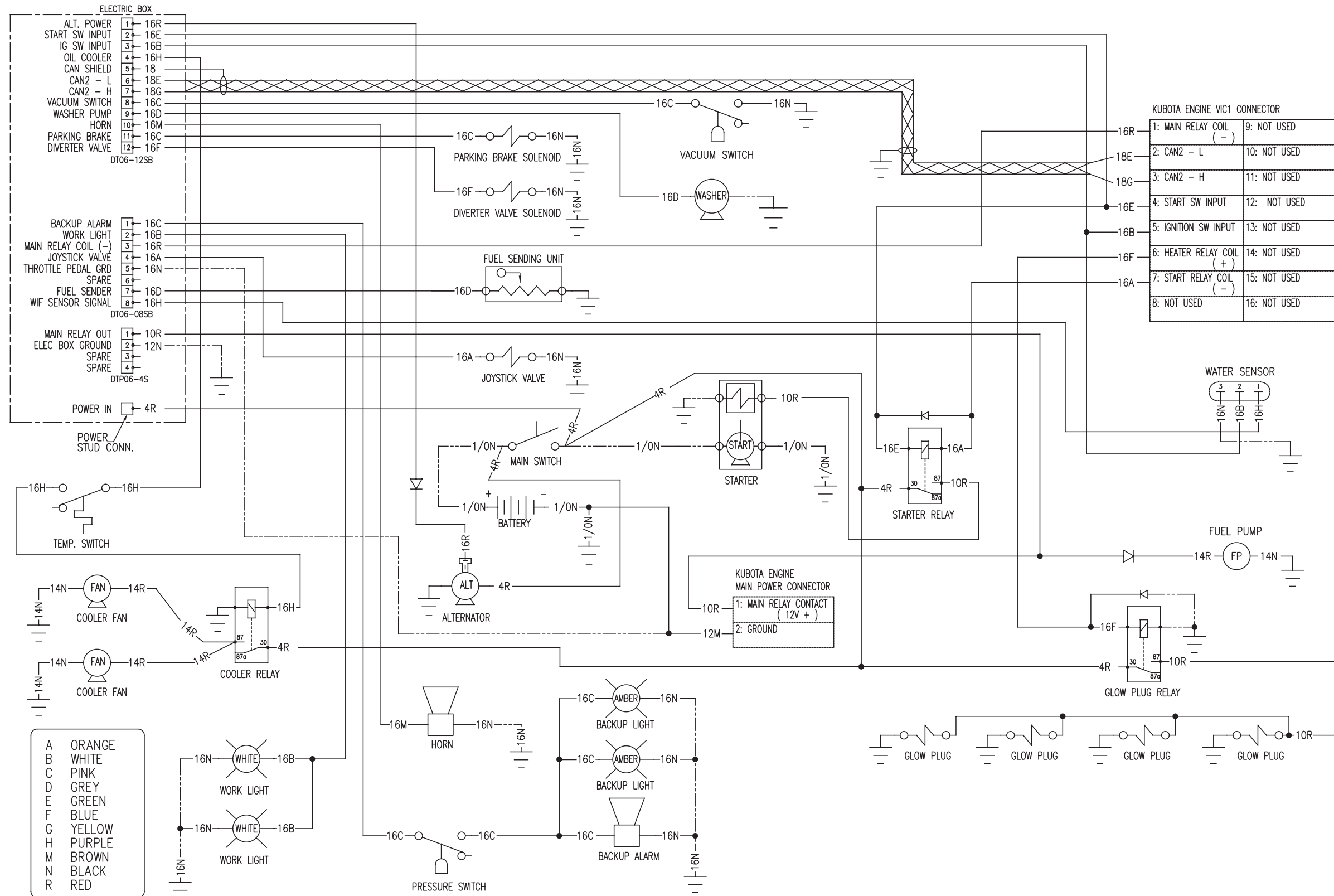
Bright Forklift

BD3-7570

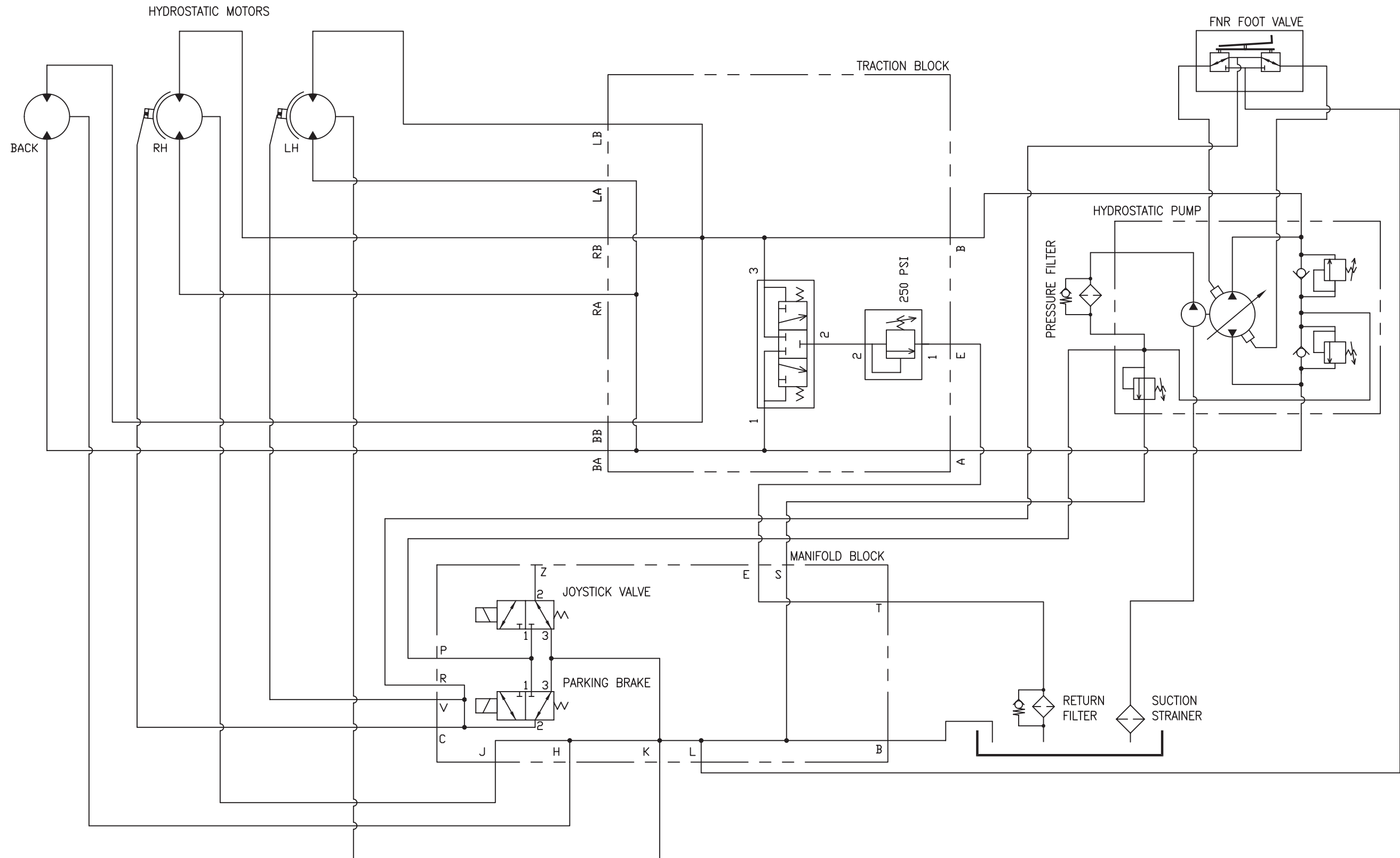
ELECTRICAL SCHEMATIC - ELECTRIC BOX



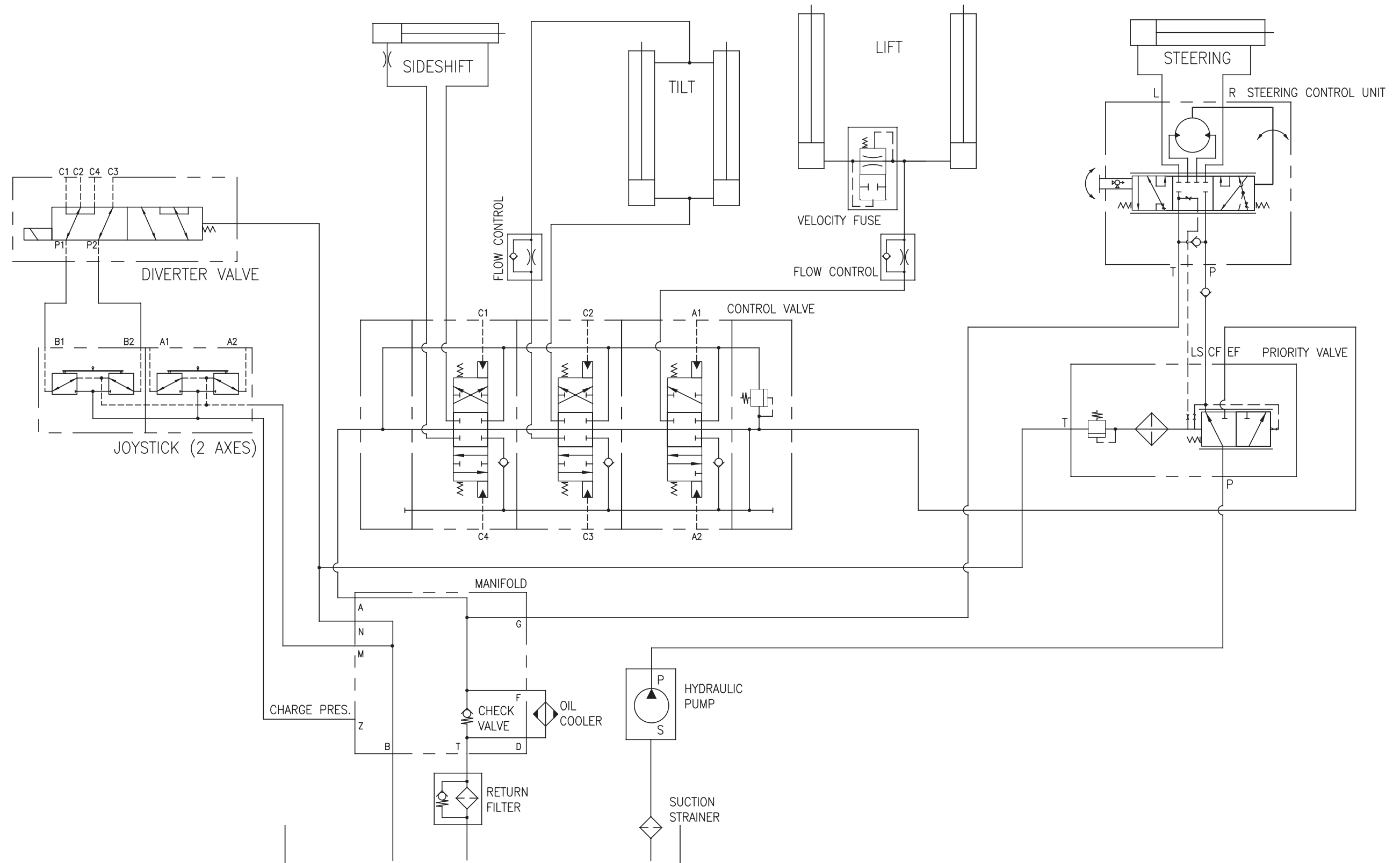
ELECTRICAL SCHEMATIC - TRUCK



HYDRAULIC SCHEMATIC - FOR TRACTION



HYDRAULIC SCHEMATIC - EXCLUDING TRACTION





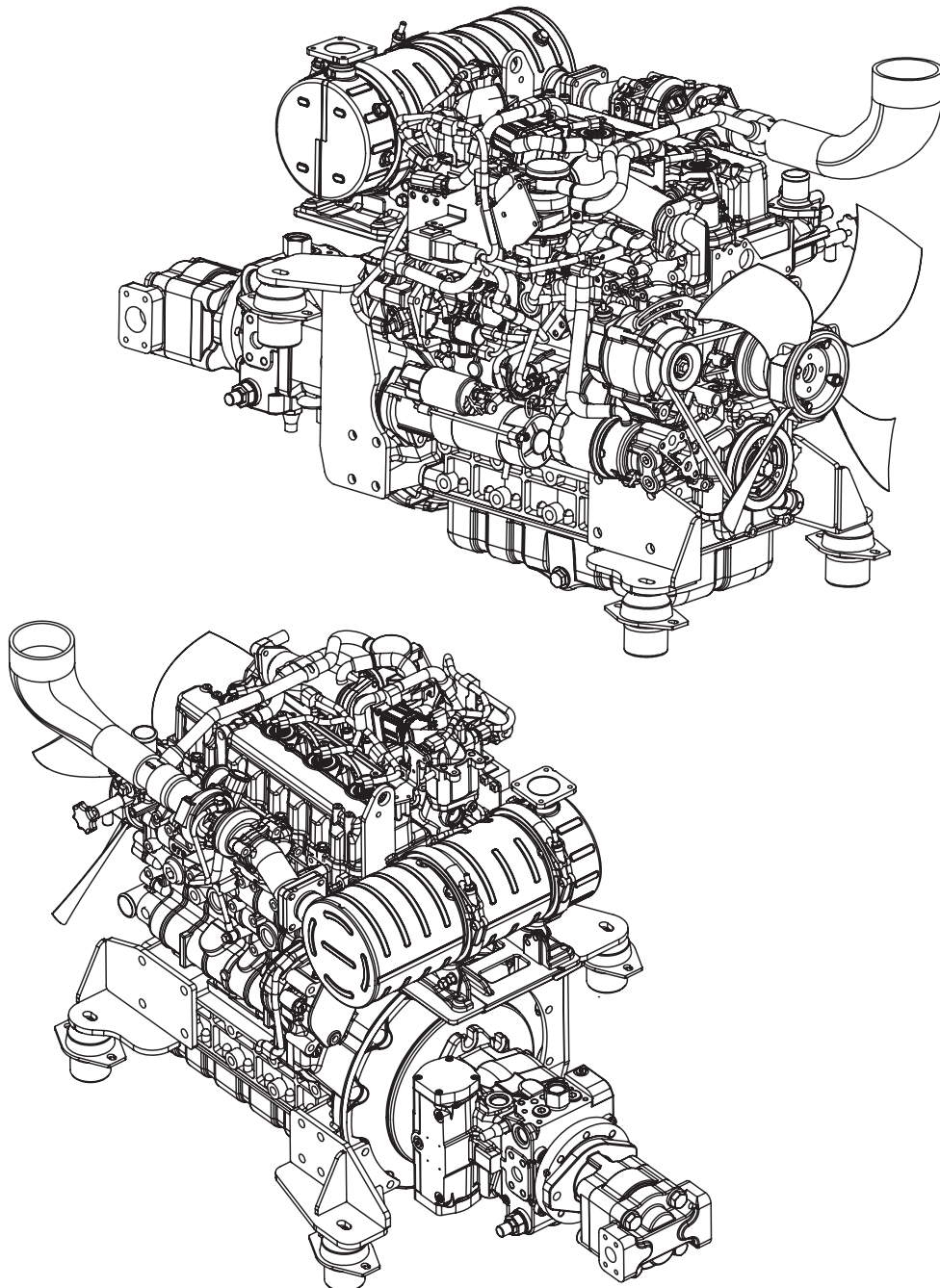
Bright Forklift

BD3-7570

SECTION 11

KUBOTA DIESEL ENGINE

V3307-CR-TIE4B-KEA-1





Bright Forklift

BD3-7570

CONTENTS

CRANKCASE (500000)	11-4
OIL PAN (501000)	11-6
DIPSTICK AND GUIDE (501200).....	11-8
CYLINDER HEAD (502000)	11-10
INLET VALVE AND EXHAUST VALVE (503000)	11-12
ROCKER ARM SHAFT (504000).....	11-14
HEAD COVER (505000)	11-16
FRONT COVER (510000)	11-18
PISTON AND CRANKSHAFT (511000)	11-20
CAMSHAFT AND IDLE GEAR SHAFT (512000)	11-22
FLYWHEEL (515000)	11-24
SUPPLY PUMP (526500)	11-26
FUEL FILTER (531000)	11-28
SEPARATOR (532500).....	11-30
INJECTION PIPE (545000)	11-32
FUEL PUMP [ELECTRICAL] (547100)	11-34
COMMON RAIL (548000)	11-36
ALTERNATOR AND PULLEY (550000)	11-38
ALTERNATOR [COMPONENT PARTS] (551000).....	11-40
STARTER (554000)	11-42
STARTER [COMPONENT PARTS] (555000)	11-44
SWITCHES AND SENSORS (557000).....	11-46
ELECTRICAL WIRING (558000)	11-48
WIRE HARNESS BRACKET 1 (558500).....	11-50
WATER FLANGE AND THERMOSTAT (560000)	11-52
WATER PUMP (561000).....	11-54
FAN AND PULLEY (567000)	11-56
INLET MANIFOLD (571000)	11-58



Bright Forklift

BD3-7570

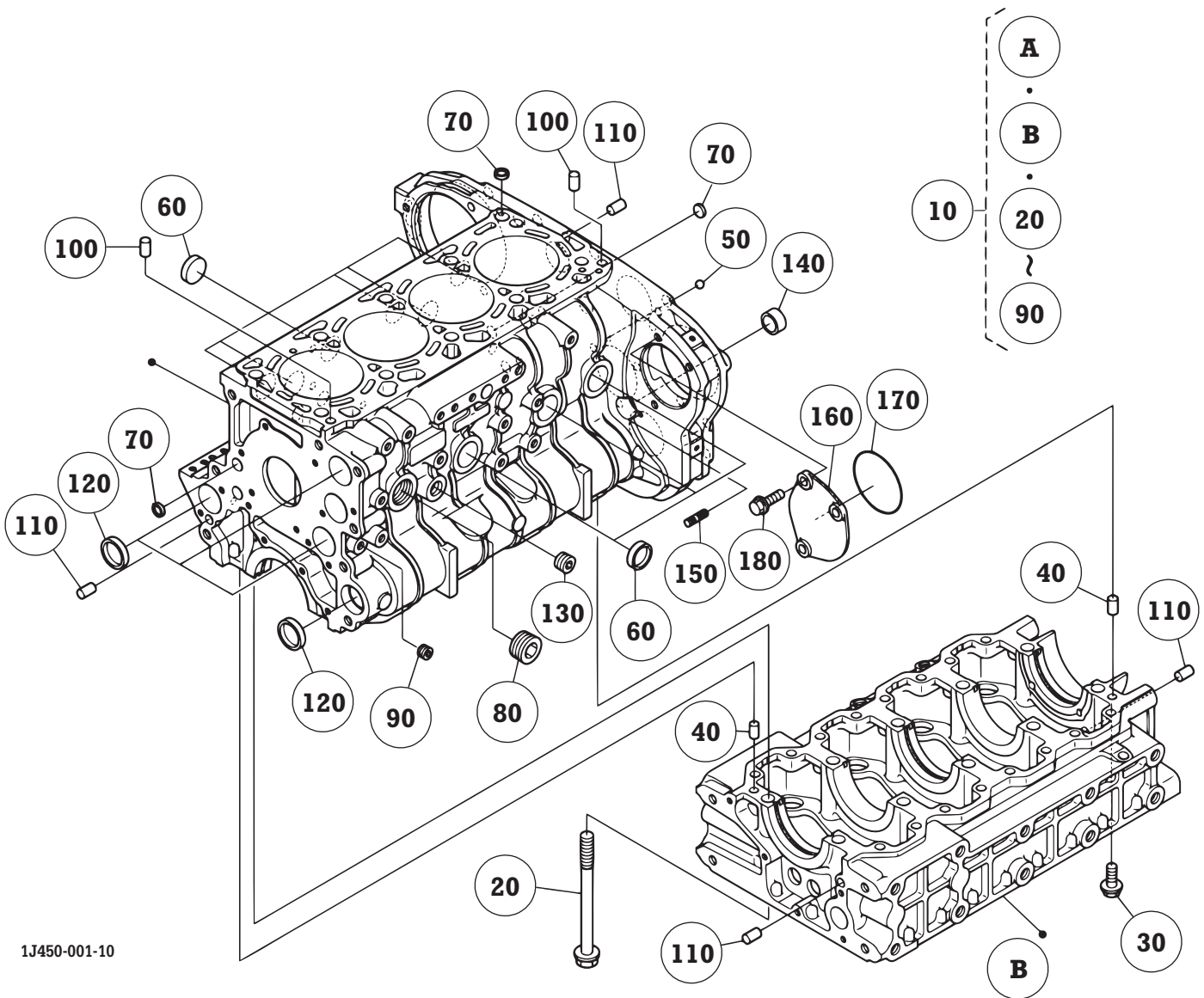
CONTENTS (CONTINUED)

AIR CLEANER FLANGE AND THROTTLE VALVE (571100).....	11-60
EXHAUST MANIFOLD (572000).....	11-62
EGR COOLER (572400).....	11-64
BOOST AIR PIPE (572500).....	11-66
TURBO CHARGER (572600).....	11-68
AIR CLEANER (573001).....	11-70
BREATHER PIPE / SEPARATOR PIPE (576000).....	11-72
OIL SEPARATOR (576500).....	11-74
DIESEL OXIDATION CATALYST MUFFLER (577000).....	11-76
DIESEL OXIDATION CATALYST MUFFLER [COMPONENT PARTS] (577100).....	11-78
OIL PIPE [TURBO CHARGER] (580000).....	11-80
OIL COOLER (582000).....	11-82
ECU (587200).....	11-84
ACCESSORIES AND SERVICE PARTS (588000).....	11-86
UPPER GASKET KIT [OPTION] (591000).....	11-88
LOWER GASKET KIT [OPTION] (592000).....	11-90
METAL KIT [OPTION] (593000).....	11-92
PISTON KIT [OPTION] (594000).....	11-94

Bright Forklift

BD3-7570

CRANKCASE (500000)



1J450-001-10



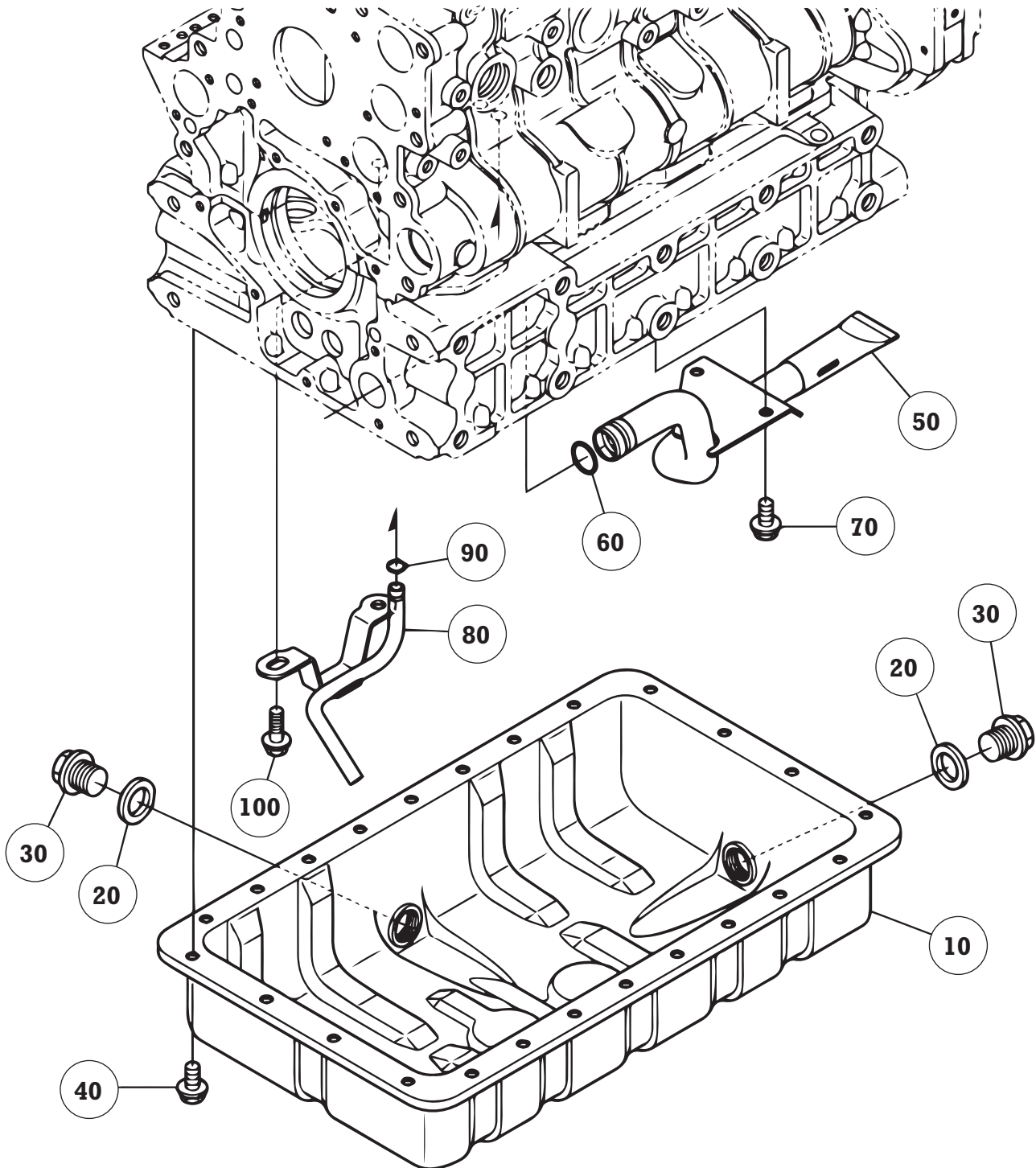
Bright Forklift

BD3-7570

CRANKCASE (500000)

ITEM	QTY.	PART NUMBER	DESCRIPTION
10	1		CRANKCASE
20	10		BOLT
30	16		BOLT, FLANGE
40	2		PIN, STRAIGHT
50	1		BALL
60	9		CAP, SEALING
70	3		CAP, SEALING
80	1		PLUG
90	1		PLUG
100	2		PIN, STRAIGHT
110	4		PIN, STRAIGHT
120	4		CAP, SEALING
130	1		PLUG
140	1		BUSHING
150	1		STUD
160	1		COVER
170	1		O-RING
180	3		BOLT, FLANGE

OIL PAN (501000)



1J450-002-10



Bright Forklift

BD3-7570

OIL PAN (501000)

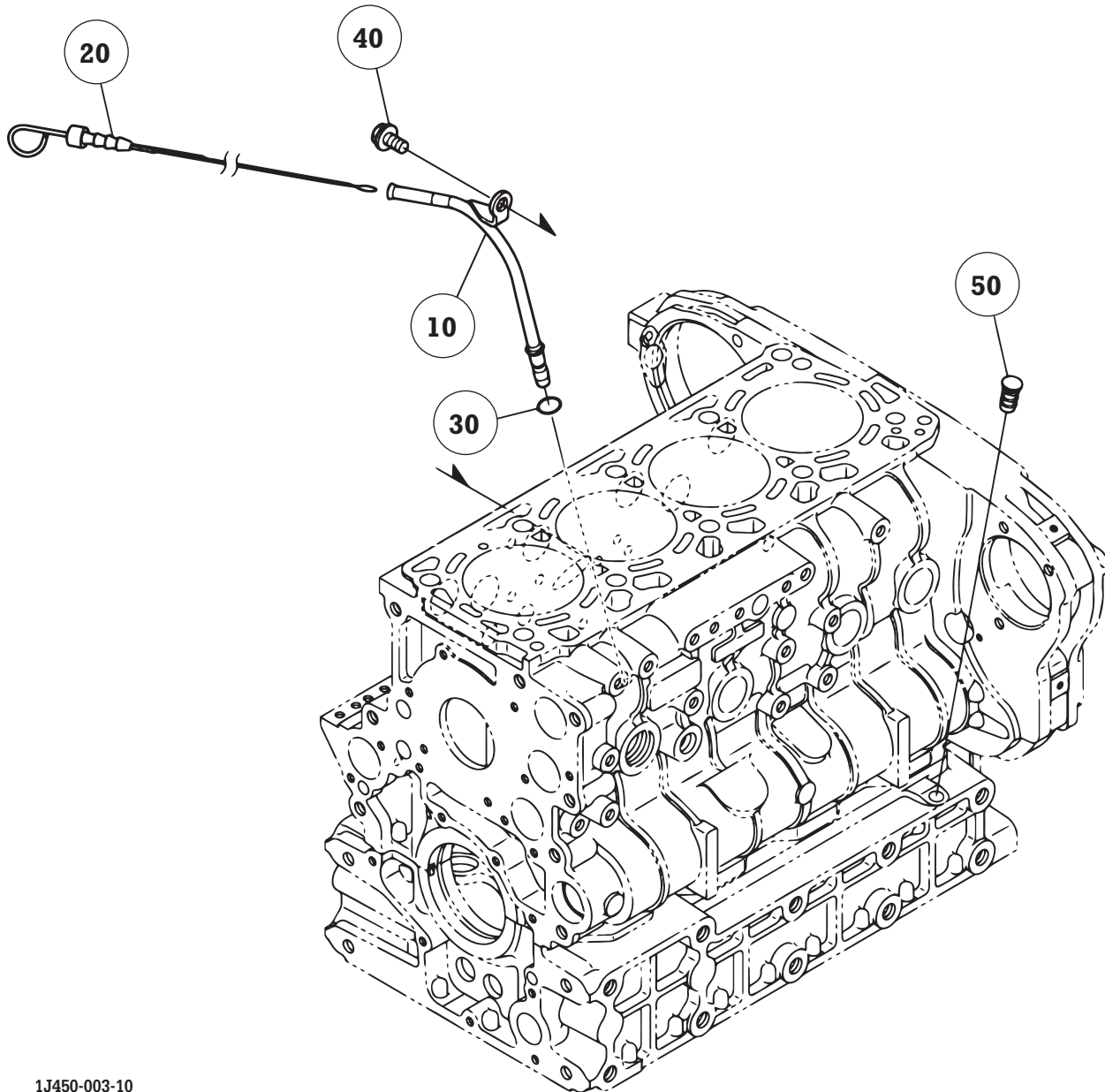
ITEM	QTY.	PART NUMBER	DESCRIPTION
10	1		COMPLETE OIL PAN
20	2	097-01176	WASHER, SEAL
30	2	097-01177	PLUG, DRAIN
40	24		BOLT, FLANGE
50	1		FILTER, OIL
60	1		O-RING
70	2		BOLT, FLANGE
80	1		PIPE (OIL RETURN, 2)
90	1		O-RING
100	2		BOLT, FLANGE



Bright Forklift

BD3-7570

DIPSTICK AND GUIDE (501200)



1J450-003-10



Bright Forklift

BD3-7570

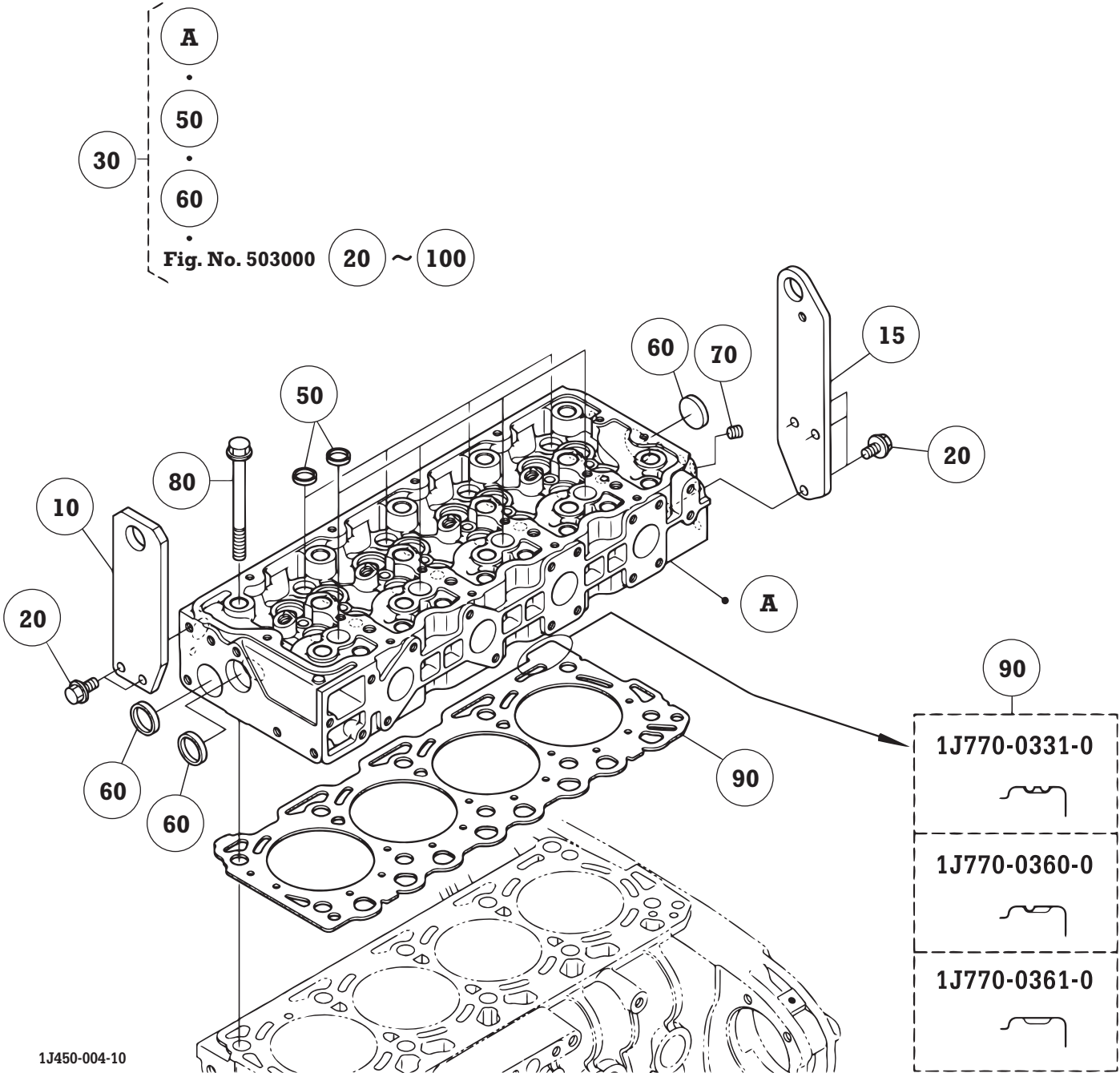
DIPSTICK AND GUIDE (501200)

ITEM	QTY.	PART NUMBER	DESCRIPTION
10	1		GUIDE, OIL GAUGE
20	1	097-01178	GAUGE, OIL
30	1		O-RING
40	1		BOLT, FLANGE
50	1		PLUG, OIL GAUGE

Bright Forklift

BD3-7570

CYLINDER HEAD (502000)





Bright Forklift

BD3-7570

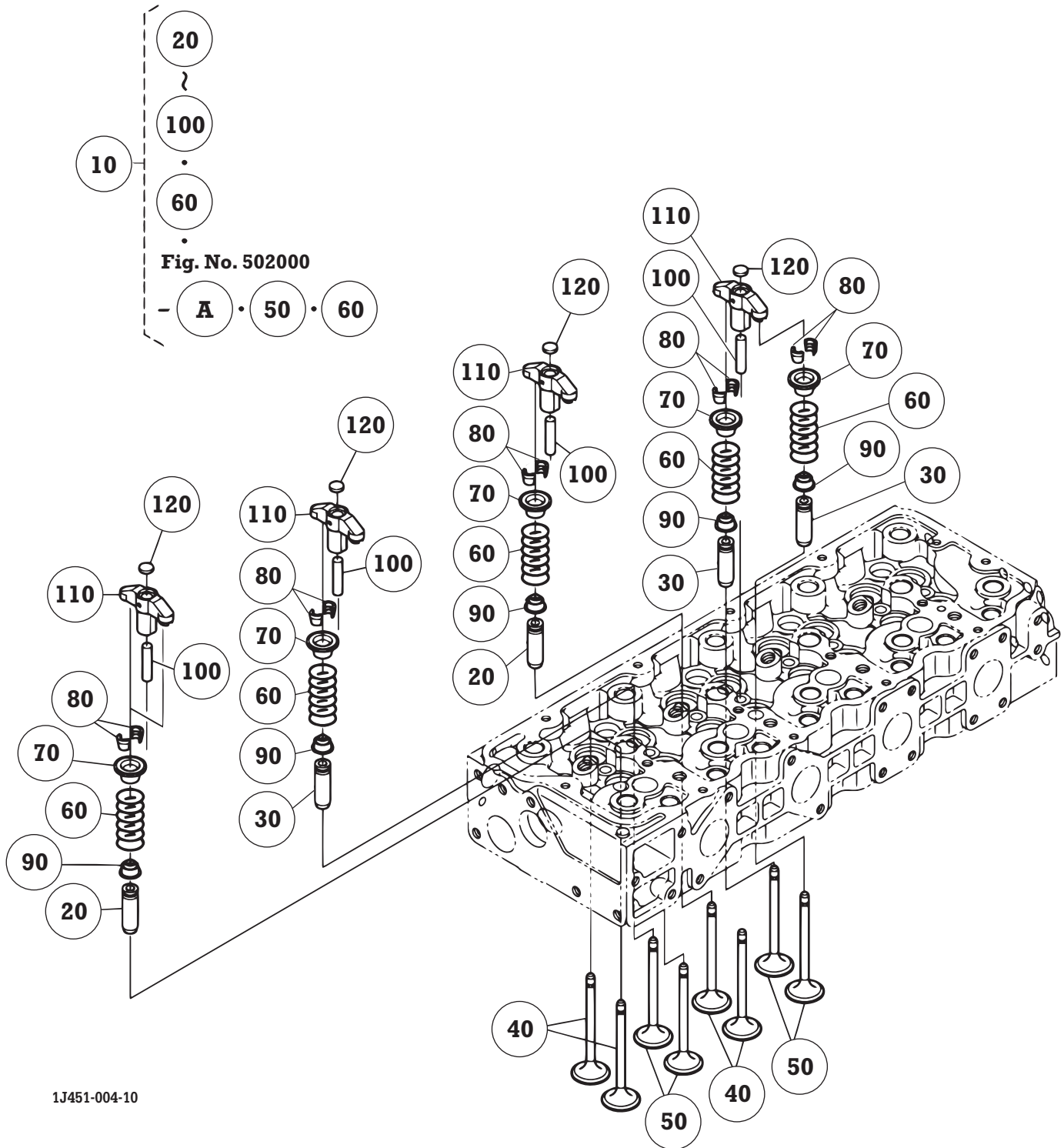
CYLINDER HEAD (502000)

ITEM	QTY.	PART NUMBER	DESCRIPTION
10	1		HOOK (ENGINE)
15	1		HOOK, ENGINE
20	5		BOLT, FLANGE
30	1		HEAD, CYLINDER, ASSEMBLY
50	8		CAP, SEALING
60	3		CAP, SEALING
70	1		PLUG
80	10		BOLT
90	1	097-01179	GASKET (CYLINDER HEAD) STANDARD / 2 NOTCH
90	1	097-01180	GASKET (CYLINDER HEAD) SUITABILITY / 1 NOTCH
90	1	097-01181	GASKET (CYLINDER HEAD) SUITABILITY / NOT NOTCH

Bright Forklift

BD3-7570

INLET VALVE AND EXHAUST VALVE (503000)



1J451-004-10



Bright Forklift

BD3-7570

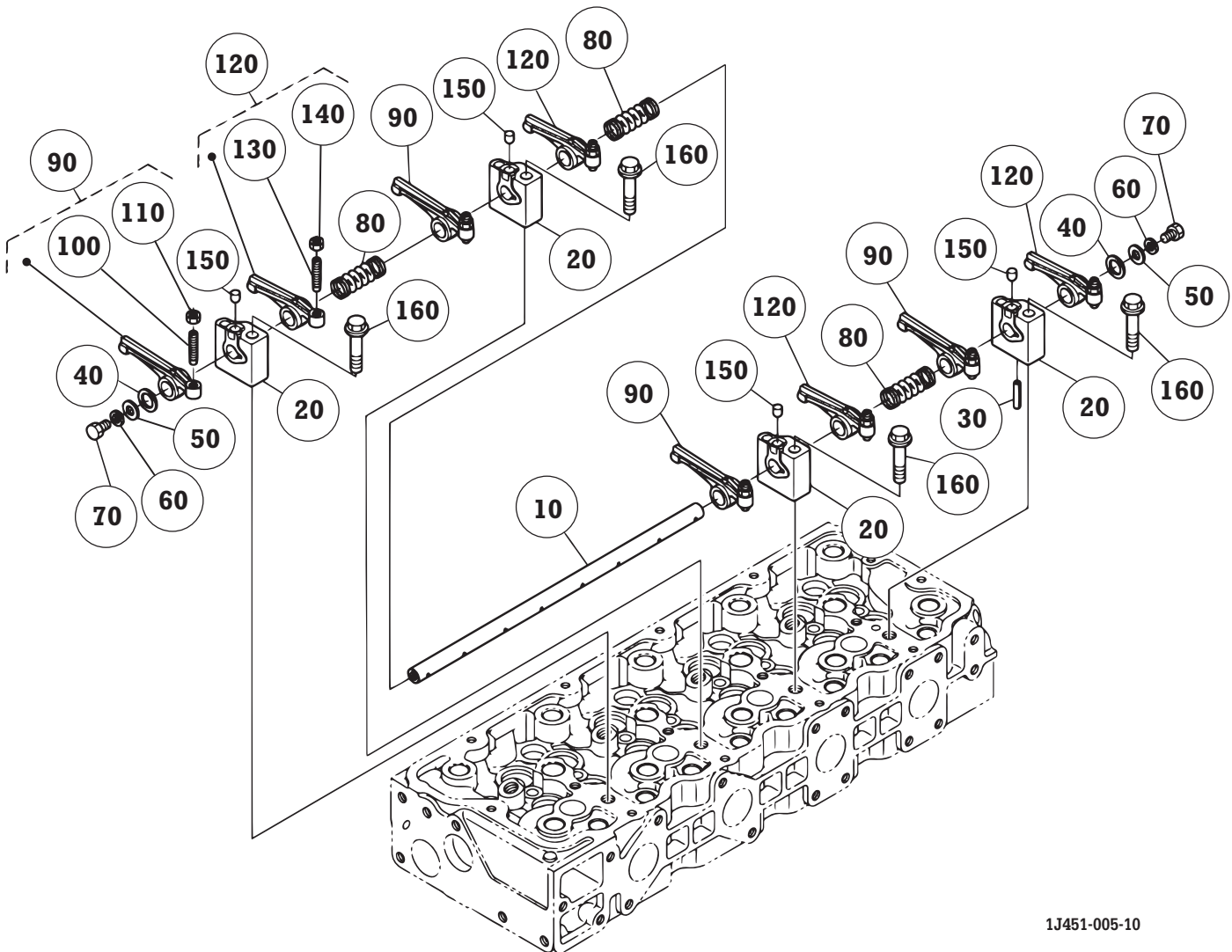
INLET VALVE AND EXHAUST VALVE (503000)

ITEM	QTY.	PART NUMBER	DESCRIPTION
10	1		HEAD, CYLINDER, ASSEMBLY
20	8		GUIDE (INLET VALVE)
30	8		GUIDE (EXHAUST VALVE)
40	8		VALVE, INLET
50	8		VALVE, EXHAUST
60	16		SPRING, VALVE
70	16		RETAINER, VALVE SPRING
80	16		COLLET SET (VALVE SPRING)
90	16	097-01255	SEAL, VALVE STEM
100	8		SHAFT, VALVE BURIGE
110	8		ARM, VALVE BURIGE
120	8		PAD

Bright Forklift

BD3-7570

ROCKER ARM SHAFT (504000)



1J451-005-10



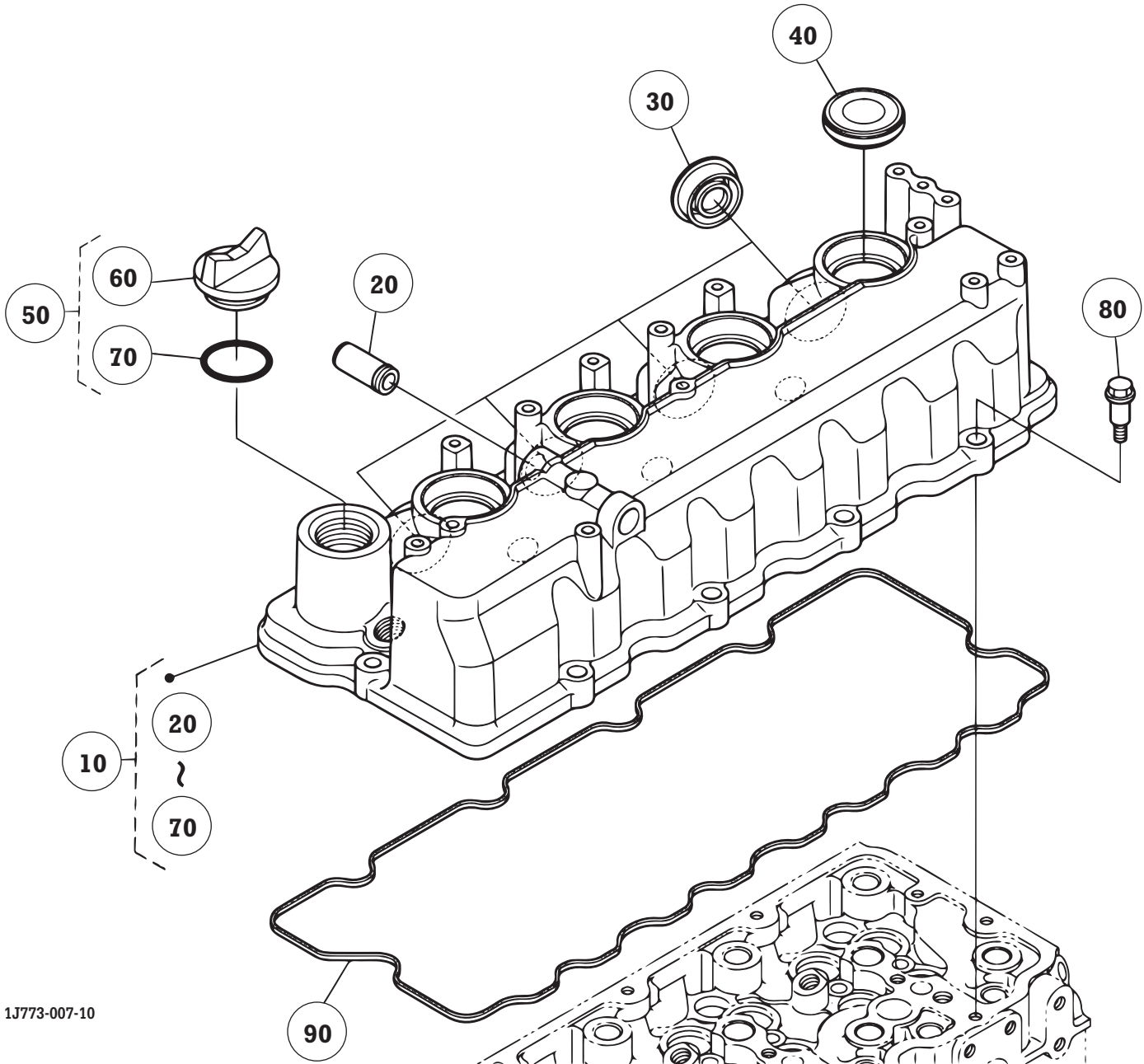
Bright Forklift

BD3-7570

ROCKER ARM SHAFT (504000)

ITEM	QTY.	PART NUMBER	DESCRIPTION
10	1		SHAFT, ROCKER ARM
20	4		BRACKET (ROCKER ARM)
30	1		PIN, SPRING
40	2		WASHER
50	2		WASHER, PLAIN
60	2		WASHER, SPRING LOCK
70	2		HEX. BOLT
80	3		SPRING
90	4		ASSEMBLY ROCKER ARM, INTAKE
100	4		SCREW
110	4		NUT
120	4		ASSEMBLY ROCKER ARM, EXHAUST
130	4		SCREW
140	4		NUT
150	4		PIN (CLAMP)
160	4		BOLT, FLANGE

HEAD COVER (505000)



1J773-007-10



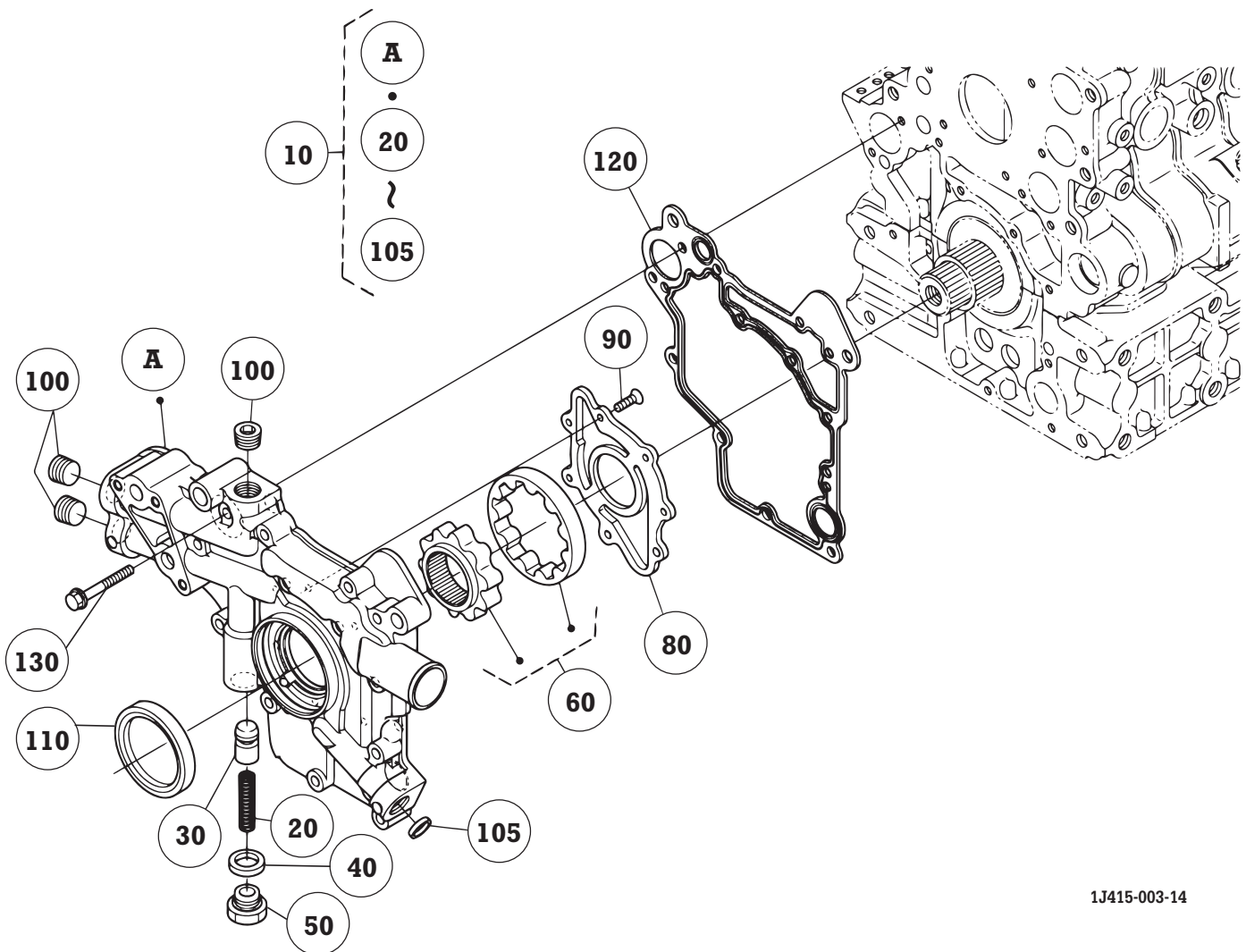
Bright Forklift

BD3-7570

HEAD COVER (505000)

ITEM	QTY.	PART NUMBER	DESCRIPTION
10	1		COVER, HEAD, ASSEMBLY
20	1		JOINT, BREATHER PIPE
30	4	097-01182	SEAL, INJECTION PIPE
40	4	097-01183	SEAL (INJECTOR)
50	1		ASSEMBLY PLUG, OIL FILLER
60	1	097-01184	PLUG (OIL FILLER)
70	1	097-00130	O-RING
80	10		BOLT
90	1	097-01185	GASKET, HEAD COVER

FRONT COVER (510000)



1J415-003-14



Bright Forklift

BD3-7570

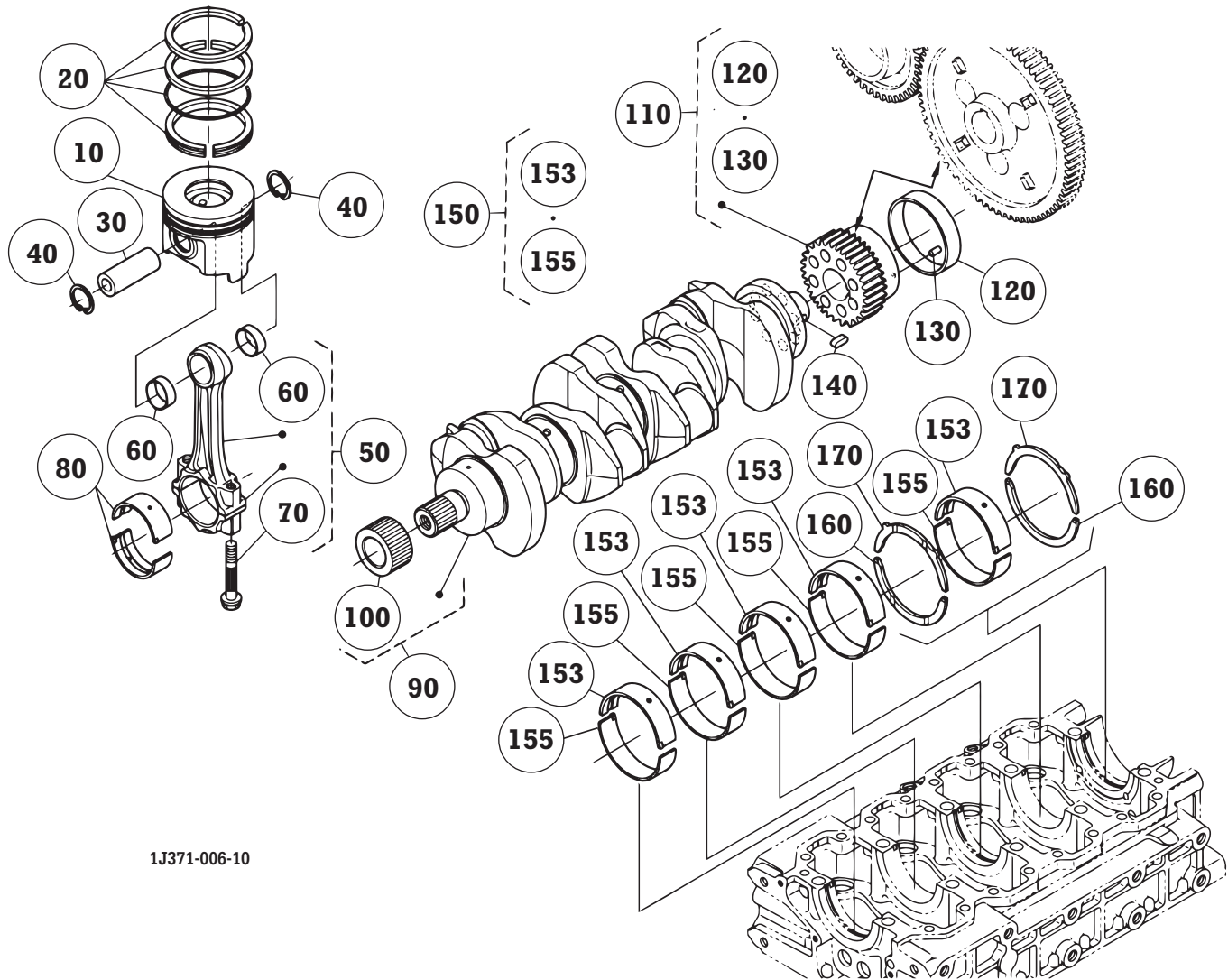
FRONT COVER (510000)

ITEM	QTY.	PART NUMBER	DESCRIPTION
10	1		ASSEMBLY COVER, FRONT
20	1		SPRING
30	1		VALVE, RELIEF
40	1		PACKING
50	1		PLUG
60	1		ASSEMBLY ROTOR, OIL PUMP
80	1		COVER, OIL PUMP
90	7		SCREW, FLAT HEAD (PHILLIPS)
100	3		PLUG
105	1		CAP, SEALING
110	1		SEAL, OIL
120	1	097-01272	GASKET (FRONT COVER)
130	13		BOLT, FLANGE

Bright Forklift

BD3-7570

PISTON AND CRANKSHAFT (511000)



1J371-006-10



Bright Forklift

BD3-7570

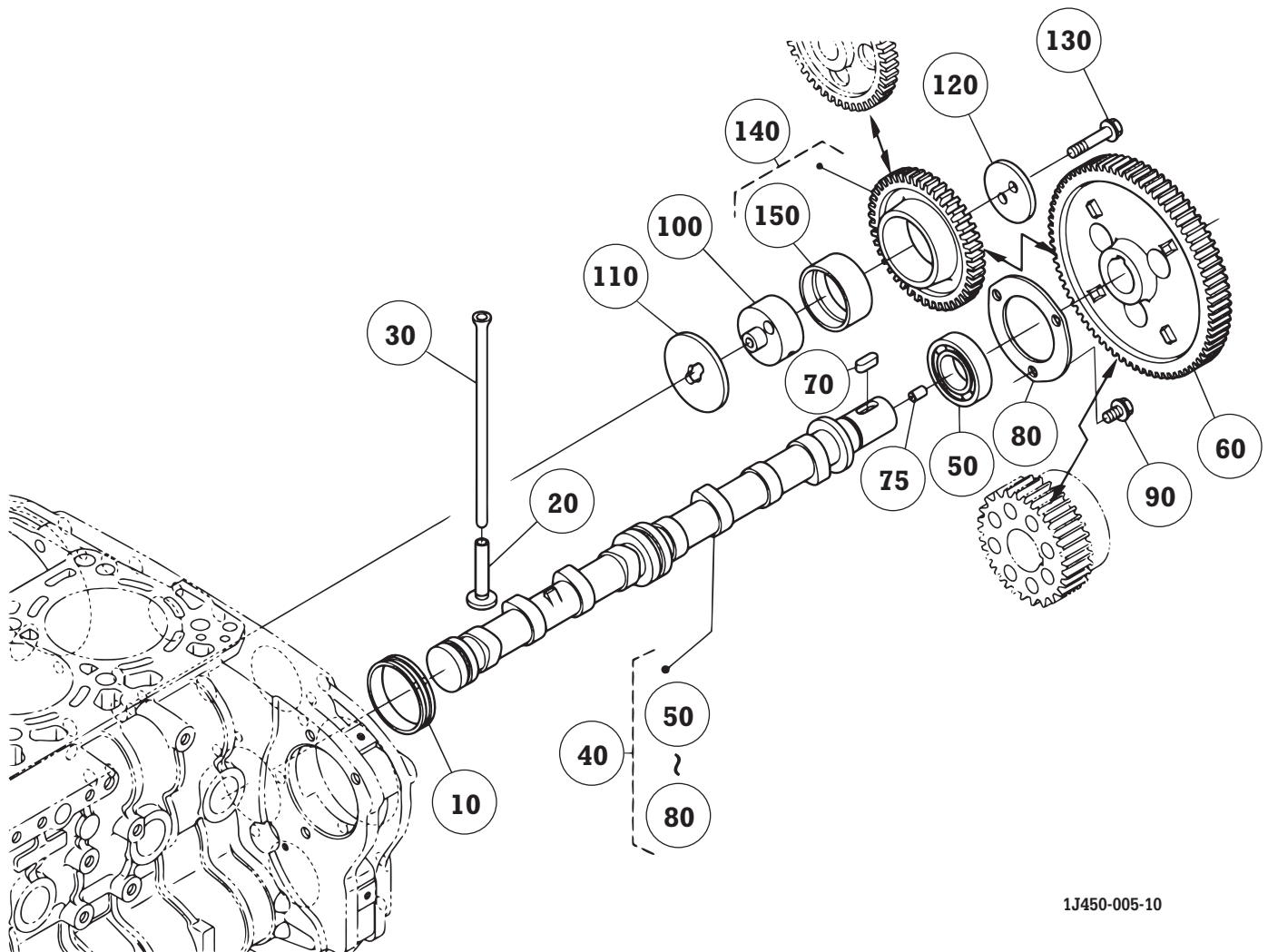
PISTON AND CRANKSHAFT (511000)

ITEM	QTY.	PART NUMBER	DESCRIPTION
10	4		PISTON, STD
	4		PISTON (05), +0.50MM
20	4		ASSEMBLY PISTON RING, STD
	4		ASSEMBLY PISTON RING
30	4		PIN, PISTON, +0.5MM
40	8		CIR-CLIP, INTERNAL
50	4		ASSEMBLY ROD, CONNECTING
60	8		BUSH, PISTON PIN
70	8		BOLT, CONNECTING ROD
80	4		METAL, CRANK PIN, STD/BLUE/SET
	4		METAL, CRANK PIN, STD/SET
	4		METAL, CRANK PIN, -0.2MM/GREEN/SET
	4		METAL, CRANK PIN, -0.4MM/RED/SET
90	1		COMPLETE CRANKSHAFT
100	1		GEAR, OIL PUMP DRIVE
110	1		ASSEMBLY GEAR, CRANKSHAFT
120	1		SLEEVE, CRANKSHAFT
130	1		PIN, STRAIGHT
140	1		KEY, STRAIGHT
150	5		KIT METAL, CRANKSHAFT, -0.2MM/SET
	5		KIT METAL, CRANKSHAFT, -0.4MM/SET
	5		KIT METAL, CRANKSHAFT, STD/SET
153	5		BLANK, -0.2MM
	5		BLANK, -0.4MM
	5		BLANK, STD
155	5		BLANK, STD/SET
	5		BLANK, -0.2MM
	5		BLANK, -0.4MM
160	2		METAL, SIDE, STD
	2		METAL, SIDE, +0.20MM
	2		METAL, SIDE, +0.40MM
170	2		METAL, SIDE, +0.20MM
	2		METAL, SIDE, +0.40MM
	2		METAL, SIDE, STD

Bright Forklift

BD3-7570

CAMSHAFT AND IDLE GEAR SHAFT (512000)



1J450-005-10



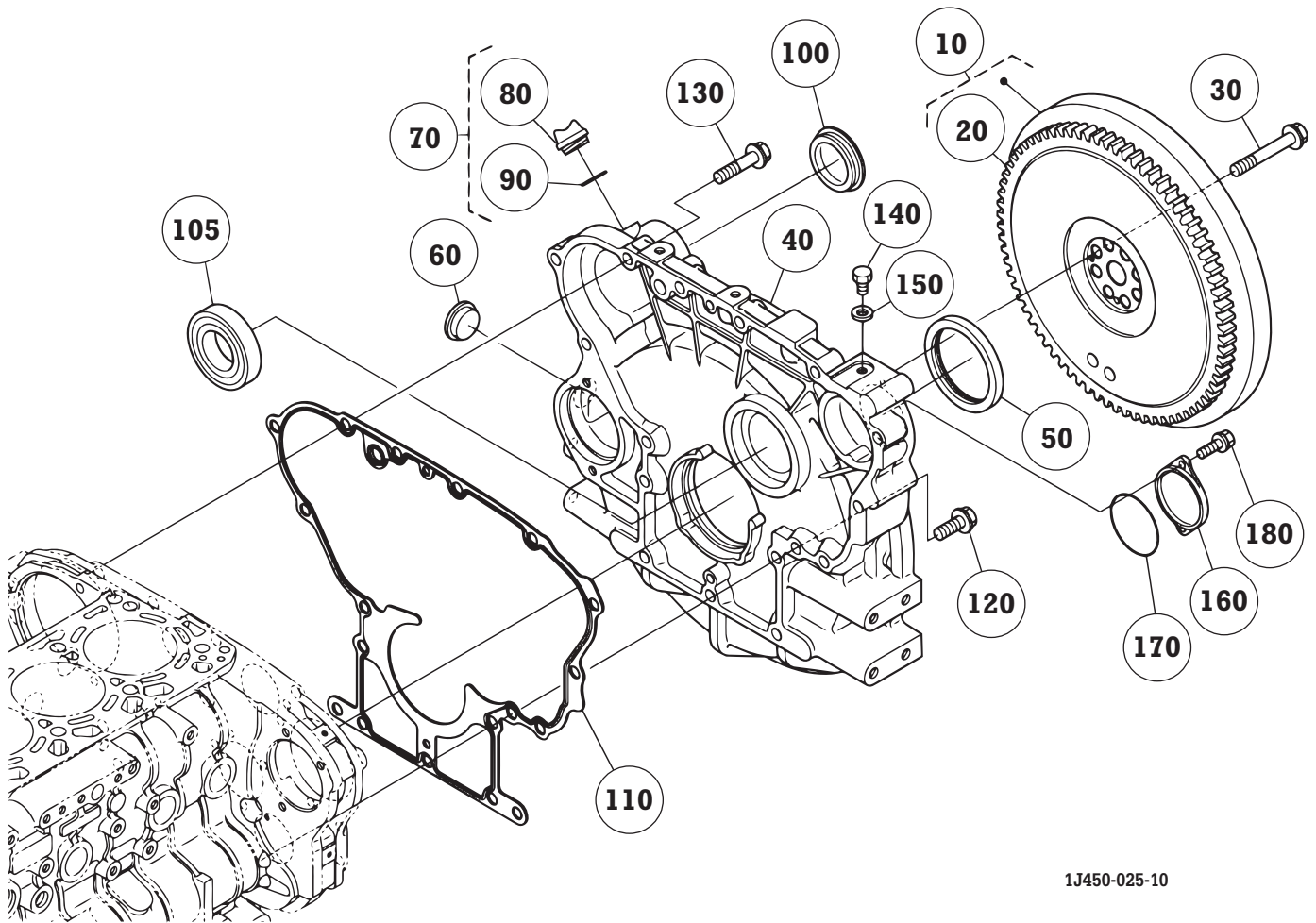
Bright Forklift

BD3-7570

CAMSHAFT AND IDLE GEAR SHAFT (512000)

ITEM	QTY.	PART NUMBER	DESCRIPTION
10	1		COVER, CAMSHAFT
20	8		TAPPET
30	8		PUSH ROD
40	1		CAMSHAFT, ASSEMBLY
50	1		BEARING, ROLLER
60	1	097-01309	GEAR (CAM)
70	1		KEY, FEATHER
75	1		PIN, PIPE
80	1		STOPPER, CAMSHAFT
90	3		BOLT, FLANGE
100	1	097-01280	SHAFT (IDLE GEAR)
110	1	097-01275	COLLAR
120	1	097-01288	COLLAR
130	2	097-01290	BOLT, FLANGE
140	1	097-01276	GEAR, COMPLETE (IDLE)
150	1		BUSHING (IDLE GEAR)

FLYWHEEL (515000)



1J450-025-10

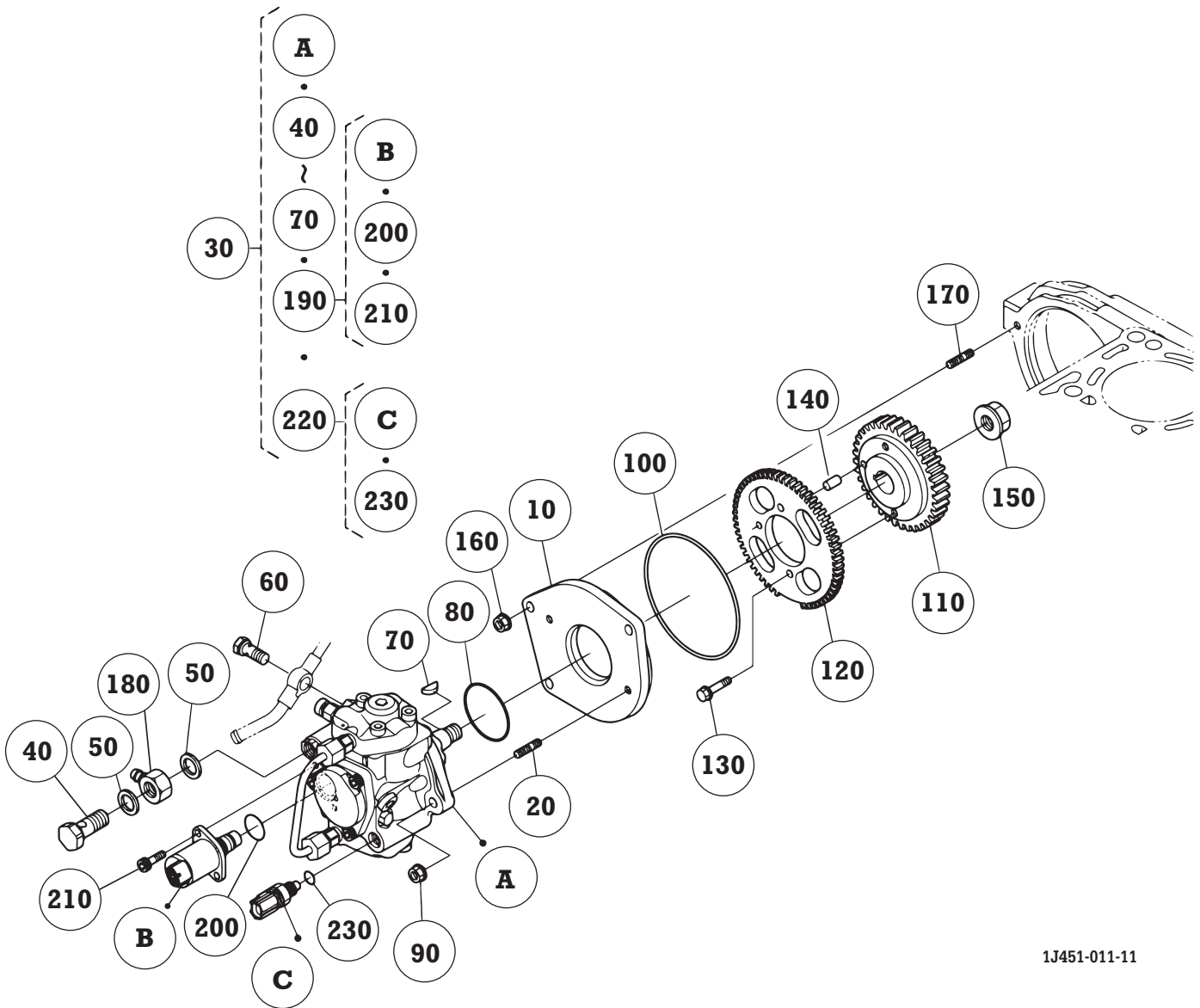


Bright Forklift

BD3-7570

FLYWHEEL (515000)

ITEM	QTY.	PART NUMBER	DESCRIPTION
10	1	097-01277	COMPLETE FLYWHEEL
20	1	097-01287	GEAR, RING
30	8	097-01278	BOLT, FLYWHEEL
40	1		HOUSING, FW
50	1	097-01274	SEAL, OIL
60	1		COVER
70	1		ASSEMBLY PLUG, OIL FILLER
80	1		PLUG (OIL FILLER)
90	1	097-00130	O-RING
100	1	097-01285	PLUG
105	1		BEARING, ROLLER
110	1	097-01271	GASKET, HOUSING
120	8		BOLT, FLANGE
130	8	097-01279	BOLT, FLANGE
140	1		PLUG
150	1		GASKET
160	1		COVER
170	1		O-RING
180	2		BOLT, FLANGE



1J451-011-11



Bright Forklift

BD3-7570

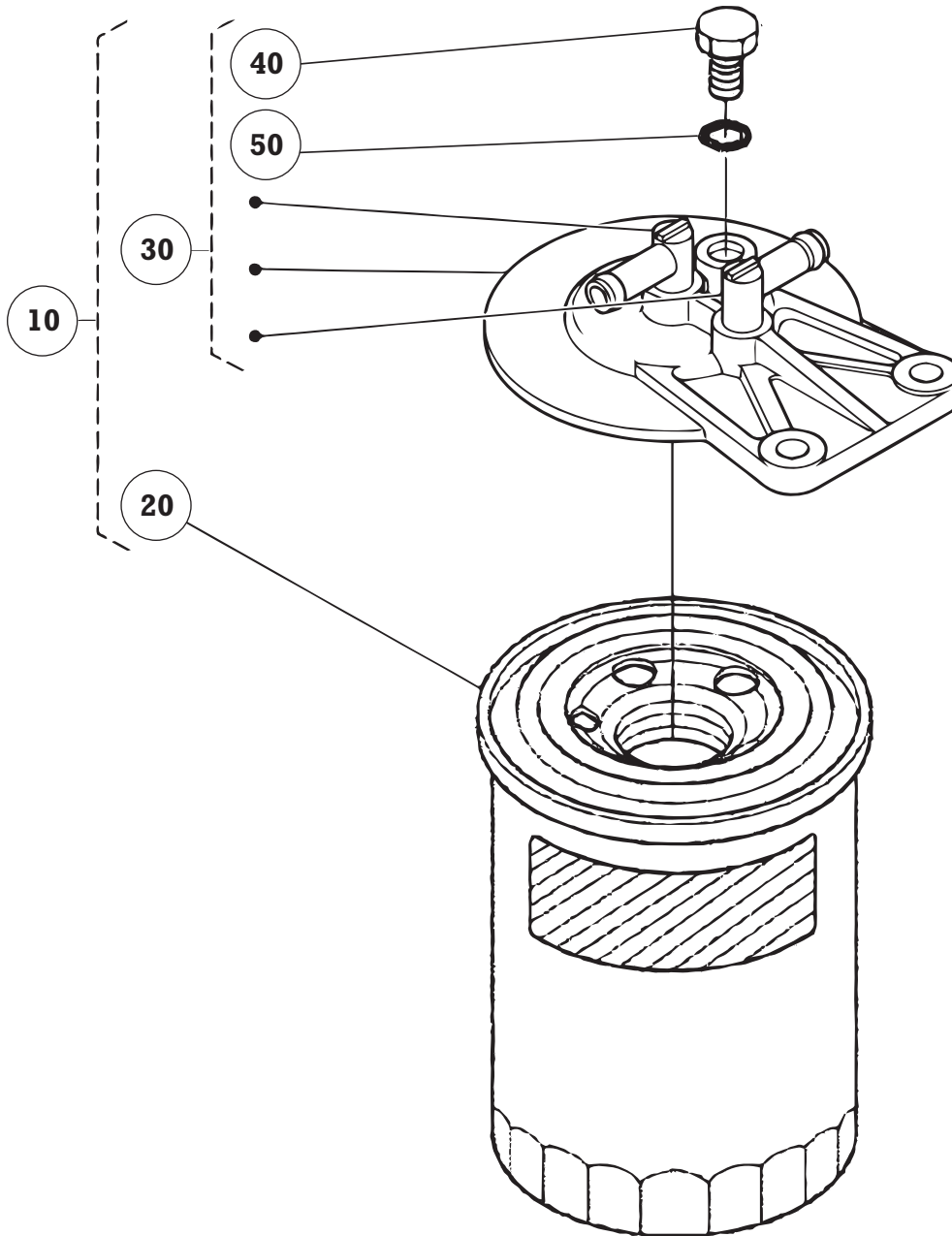
SUPPLY PUMP (526500)

ITEM	QTY.	PART NUMBER	DESCRIPTION
10	1		BASE (SUPPLY PUMP)
20	2	097-01312	STUD
30	1	097-01186	PUMP, ASSEMBLY (SUPPLY)
40	1	097-01187	SCREW, HOLLOW
50	2	097-01188	GASKET
60	1	097-01189	SCREW, HOLLOW
70	1		KEY, WOODRUFF
80	1	097-01190	GASKET (PUMP)
90	2		NUT, FLANGE
100	1	097-01287	GASKET, INJECTION PUMP
110	1	097-01270	GEAR, SUPPLY PUMP
120	1	097-01286	GEAR
130	2	097-00454	BOLT, FLANGE
140	1	097-00060	PIN, STRAIGHT
150	1		NUT, UBS
160	3		NUT, FLANGE
170	3	097-01312	STUD
180	1		JOINT, EYE
190	1	097-01191	VALVE, KIT (SCV)
200	1		O-RING
210	2		SCREW, HEX SOC. CAP
220	1	097-01192	SENSOR, KIT (FUEL TEMPERATURE)
230	1		O-RING

Bright Forklift

BD3-7570

FUEL FILTER (531000)



1G390-010-11

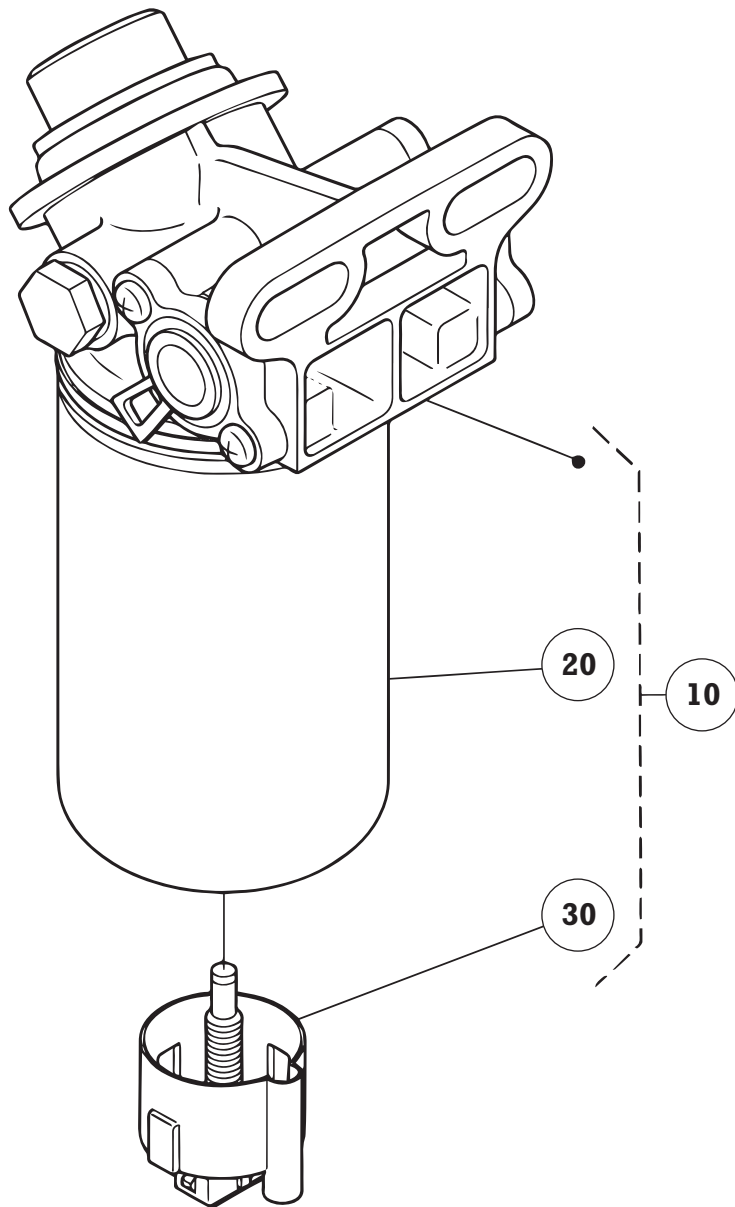


Bright Forklift

BD3-7570

FUEL FILTER (531000)

ITEM	QTY.	PART NUMBER	DESCRIPTION
10	1	097-24903	FILTER, ASSEMBLY (FUEL)
20	1	097-24900	CARTRIDGE, FILTER
30	1		BASE, FILTER
40	1		PLUG (M8 X 1.25)
50	1	097-01311	GASKET



1J490-009-10



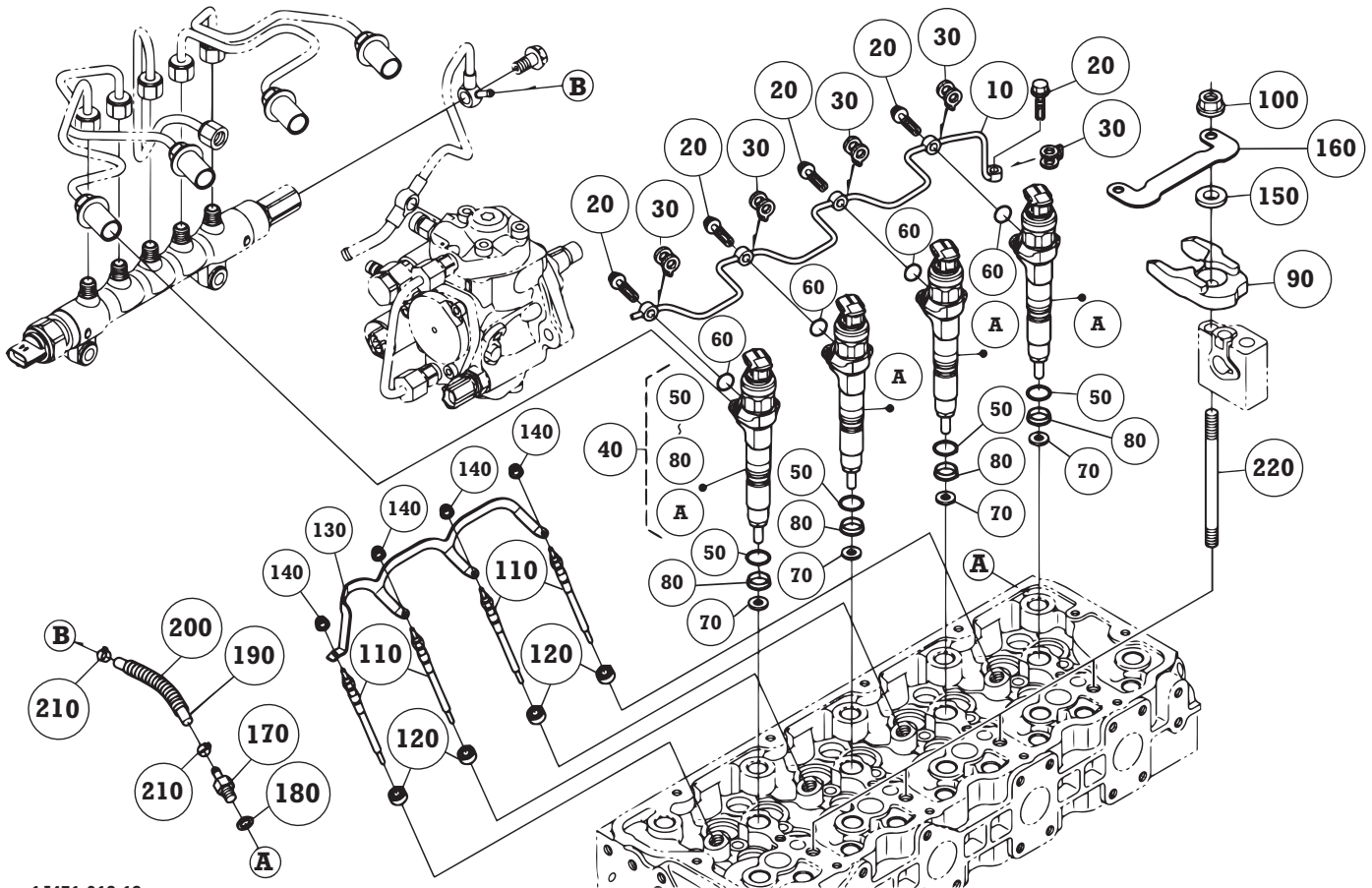
Bright Forklift

BD3-7570

SEPARATOR (532500)

ITEM	QTY.	PART NUMBER	DESCRIPTION
10	1	097-24904	FILTER, ASSEMBLY (WITH SEPARATOR)
20	1	097-20971	FILTER
30	1	097-01193	SWITCH, ASSEMBLY

INJECTION PIPE (545000)



1J451-012-12



Bright Forklift

BD3-7570

INJECTION PIPE (545000)

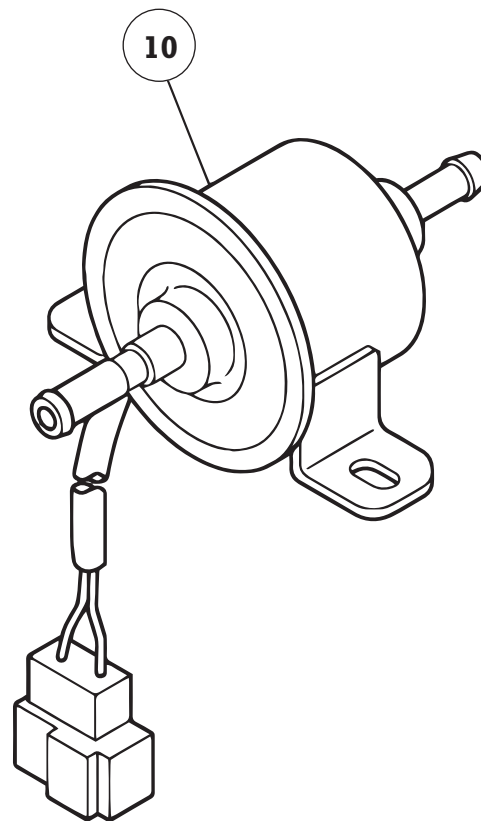
ITEM	QTY.	PART NUMBER	DESCRIPTION
10	1		PIPE, ASSEMBLY (WATER OVER FLOW)
20	5		BOLT (JOINT, SWV PIPE)
30	5	097-01194	GASKET
40	4	097-01195	INJECTOR, KIT
50	4	097-01196	O-RING
60	4	097-01197	O-RING
70	4	097-01135	PACKING
80	4	097-01198	BUSHING (INJECTOR)
90	4		CLAMP (INJECTOR)
100	4		NUT, FLANGE
110	4	097-01199	GLOW PLUG
120	4	097-01200	SEAL, GLOW PLUG
130	1		CORD (GLOW PLUG)
140	4	097-00327	NUT, FLANGE
150	4		WASHER (CLAMP, 1)
160	2		WASHER (CLAMP, 2)
170	1		SCREW (AIR BREADER)
180	1		PACKING
190	1		TUBE, FUEL
200	1		PROTECTOR (TUBE)
210	2		BAND, PIPE
220	4		STUD (CLAMP)



Bright Forklift

BD3-7570

FUEL PUMP [ELECTRICAL] (547100)



1J450-006-10

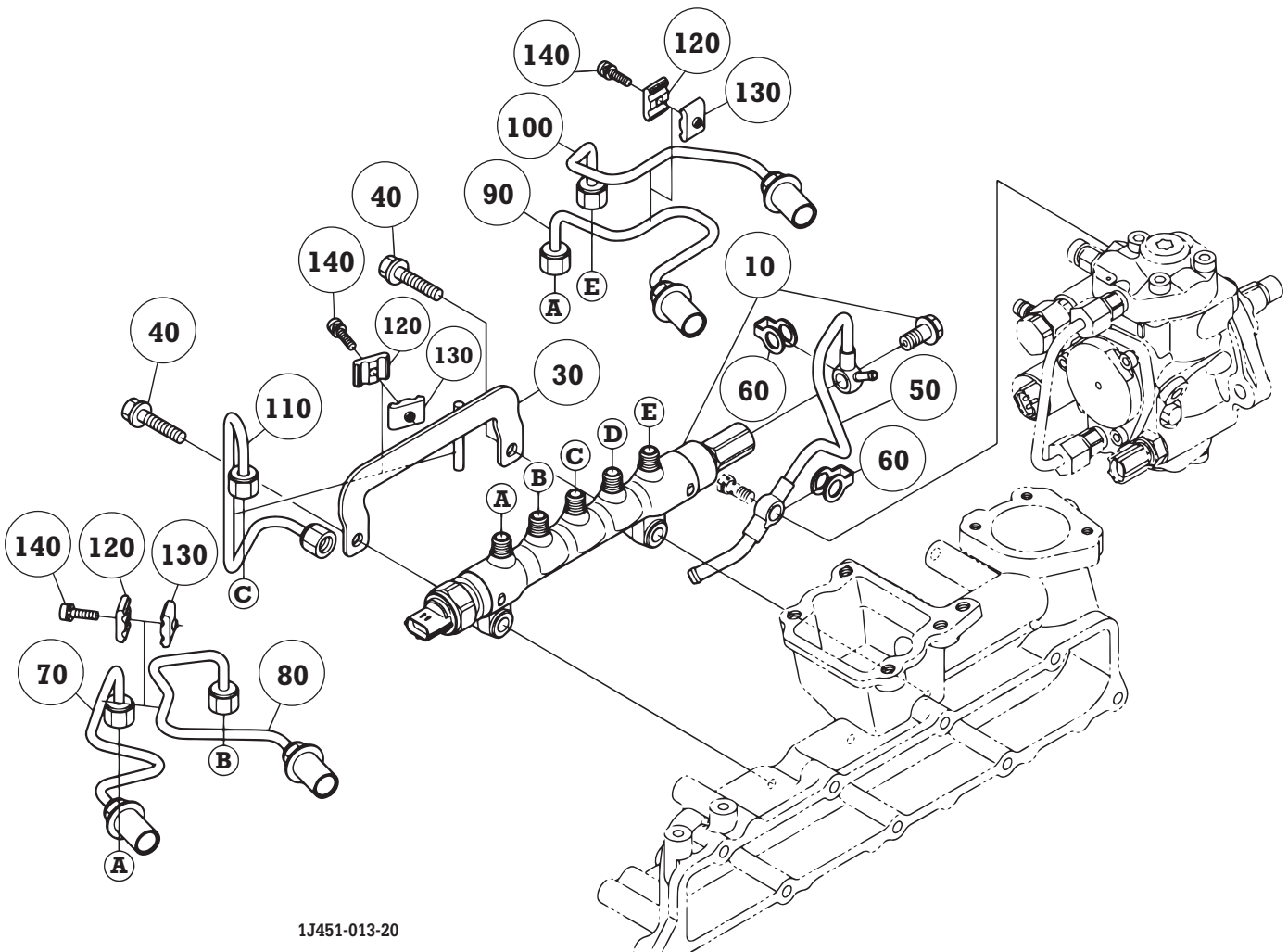


Bright Forklift

BD3-7570

FUEL PUMP (ELECTRICAL) (547100)

ITEM	QTY.	PART NUMBER	DESCRIPTION
10	1	097-20973	ASSEMBLY PUMP, FUEL



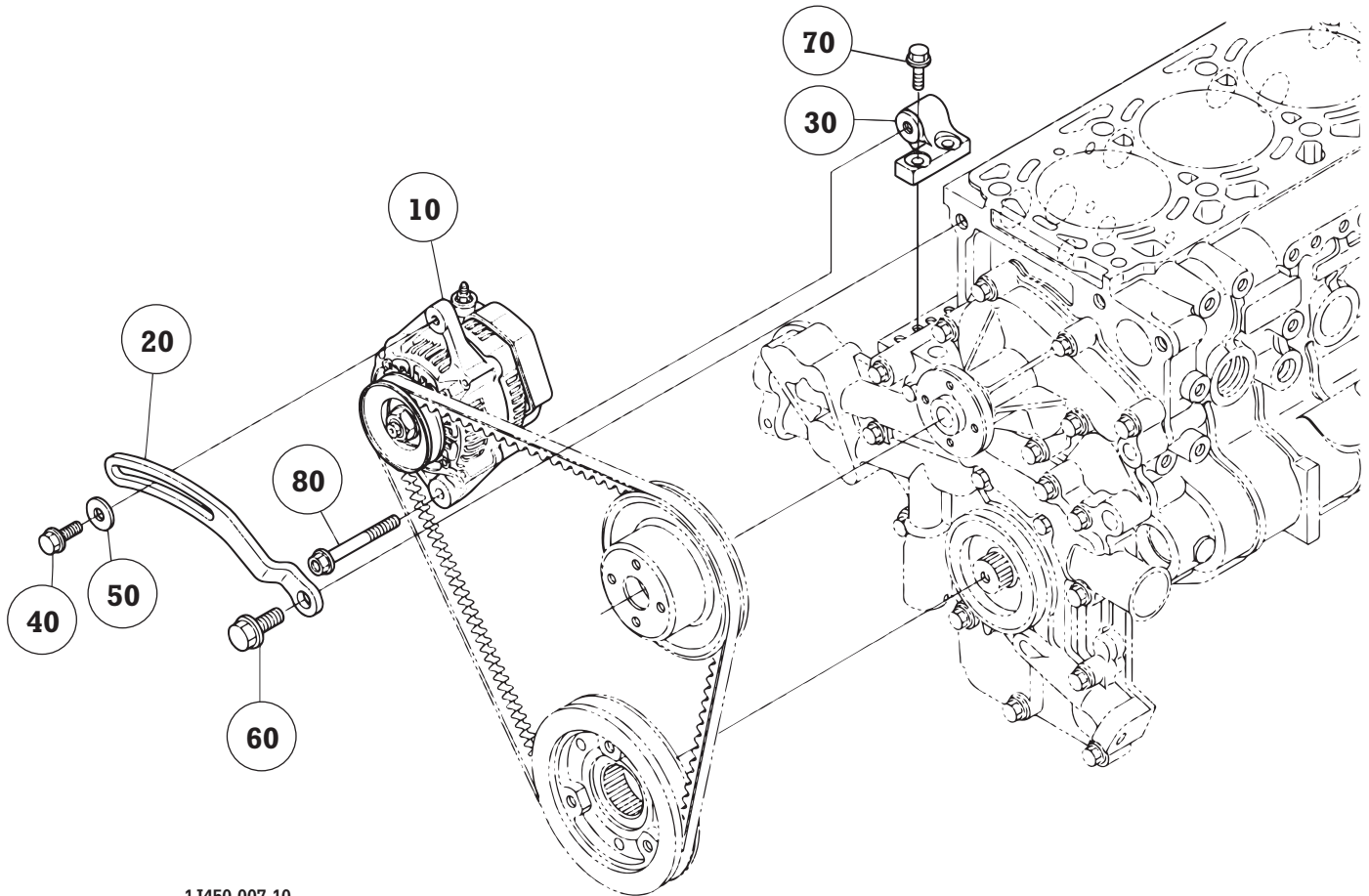


Bright Forklift

BD3-7570

COMMON RAIL (548000)

ITEM	QTY.	PART NUMBER	DESCRIPTION
10	1	097-01201	RAIL, ASSEMBLY
30	1		STAY (INJECTION PIPE)
40	2		BOLT, FLANGE
50	1		PIPE, COMPLETE (WATER OVER FLOW)
60	2		GASKET (FUEL)
70	1		PIPE (INJECTION)
80	1		PIPE (INJECTION)
90	1		PIPE (INJECTION)
100	1		PIPE (INJECTION)
110	1		PIPE
120	3		CLAMP, PIPE
130	3		CLAMP, PIPE
140	3		SCREW, SEMS (PAN HEAD)



1J450-007-10



Bright Forklift

BD3-7570

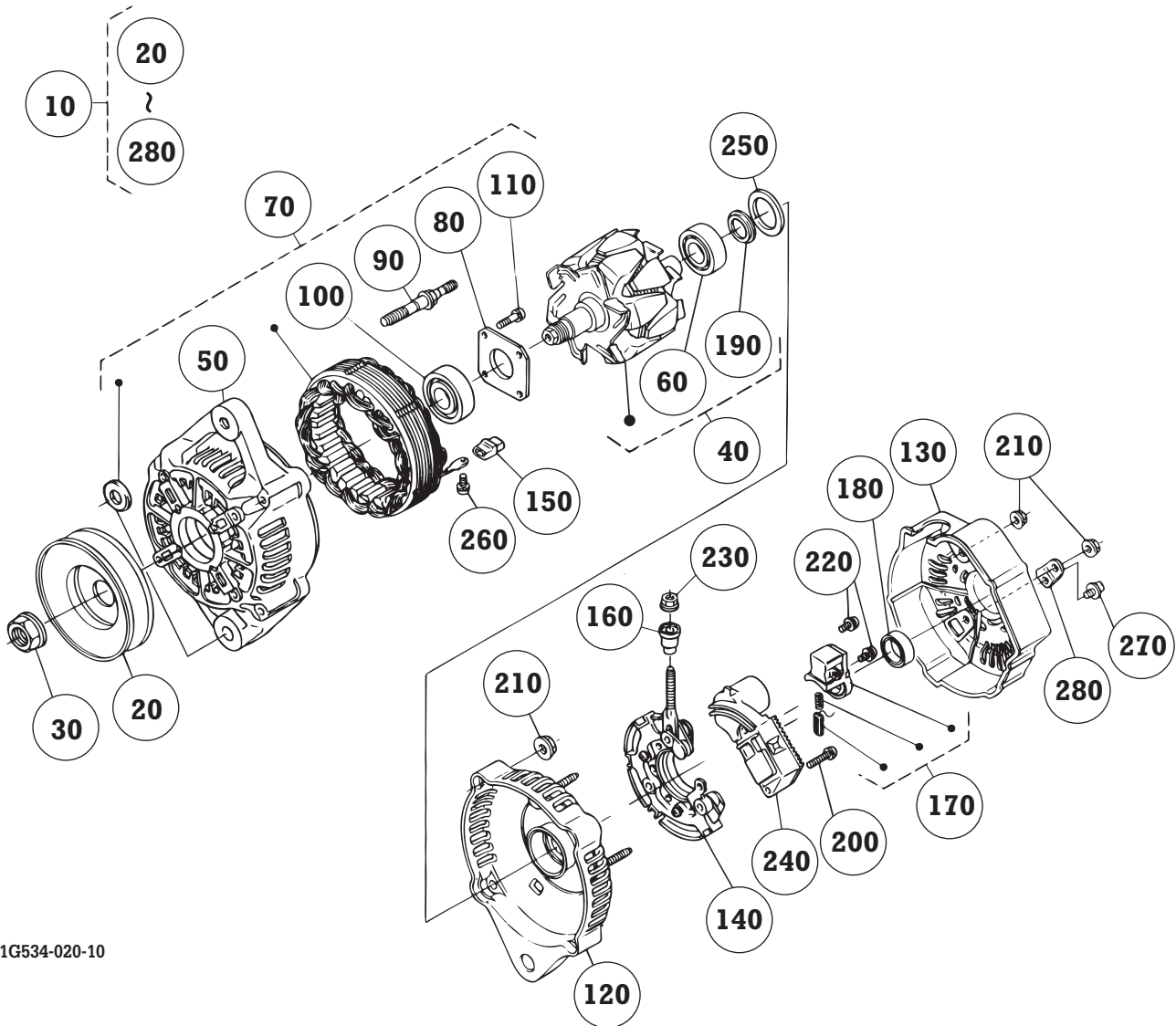
ALTERNATOR AND PULLEY (550000)

ITEM	QTY.	PART NUMBER	DESCRIPTION
10	1	097-01202	ASSEMBLY ALTERNATOR, 12V 90A
20	1		STAY, DYNAMO
30	1		SUPPORT, DYNAMO
40	1		BOLT, FLANGE
50	1		WASHER, PLAIN
60	1		BOLT, FLANGE
70	2		BOLT, FLANGE
80	1		BOLT, FLANGE

Bright Forklift

BD3-7570

ALTERNATOR [COMPONENT PARTS] (551000)



1G534-020-10



Bright Forklift

BD3-7570

ALTERNATOR [COMPONENT PARTS] (551000)

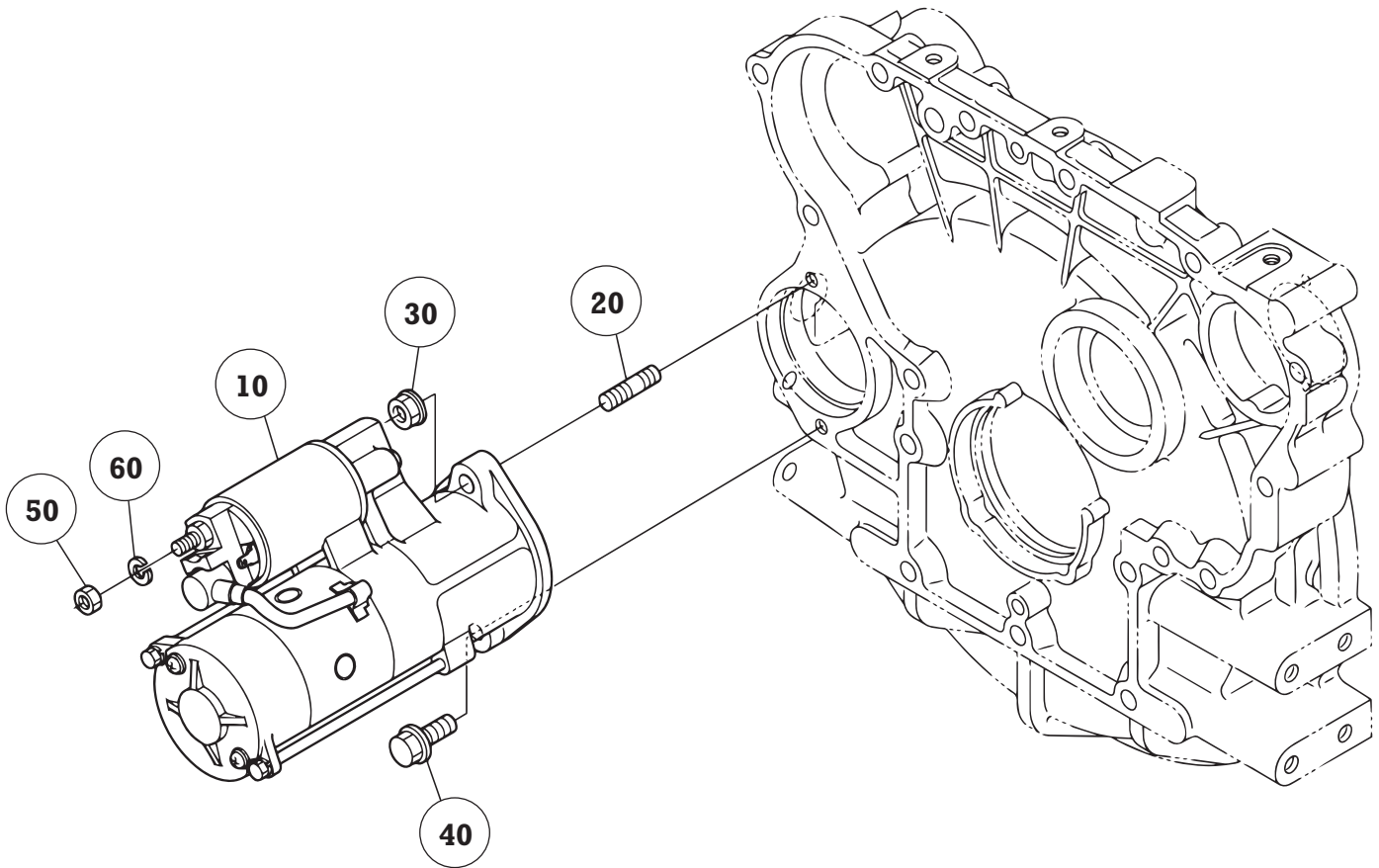
ITEM	QTY.	PART NUMBER	DESCRIPTION
10	1	097-01202	ASSEMBLY ALTERNATOR, 12V 90A
20	1		PULLEY, ALTERNATOR
30	1		NUT
40	1		ASSEMBLY, ROTOR
50	1		COVER, BEARING
60	1		BEARING, BALL
70	1		ASSEMBLY FRAME, DRIVE END
80	1		PLATE, RETAINER
90	4		BOLT, THROUGH
100	1		BEARING, BALL
110	4		BOLT
120	1		FRAME, END
130	1		COVER, REAR END
140	1		ASSEMBLY RECTIFIER
150	4		BUSH, INSULATION
160	1		BUSH, INSULATION
170	1		HOLDER, BRUSH
180	1		RING, SEAL
190	1		RING, SEAL
200	2		SCREW, ROUND HEAD
210	7		NUT
220	3		SCREW, ROUND HEAD
230	1		NUT
240	1		ASSEMBLY REGULATOR
250	1		WASHER
260	4		SCREW, ROUND HEAD
270	1		SCREW, ROUND HEAD
280	1		PLATE, TERMINAL



Bright Forklift

BD3-7570

STARTER (554000)



1J450-026-10



Bright Forklift

BD3-7570

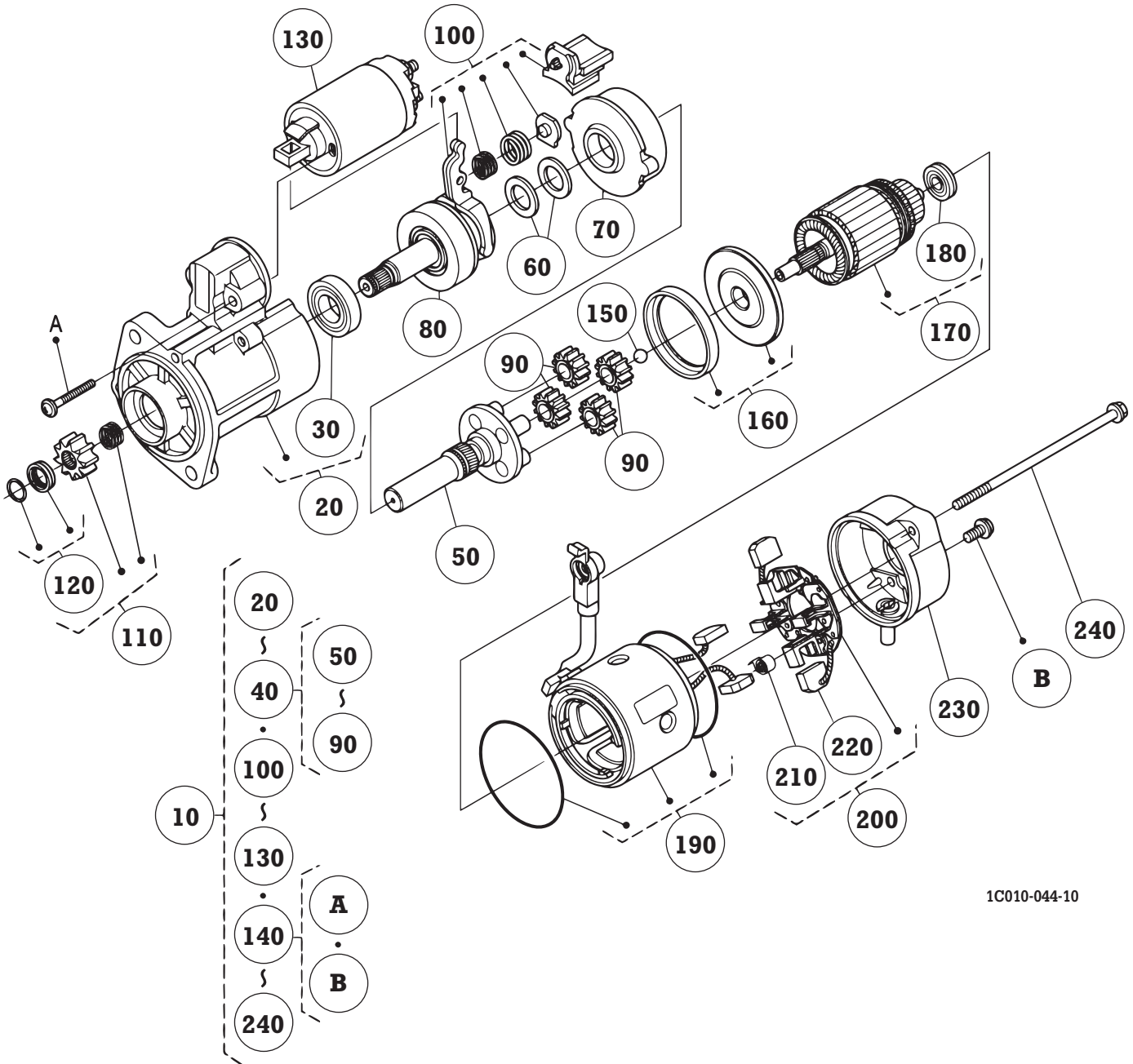
STARTER (554000)

ITEM	QTY.	PART NUMBER	DESCRIPTION
10	1	097-01203	ASSEMBLY STARTER, 12V 3.0KW
20	1		BOLT, STUD
30	1		NUT, FLANGE
40	1		BOLT, FLANGE
50	1		HEX. NUT
60	1		WASHER, SPRING LOCK

Bright Forklift

BD3-7570

STARTER [COMPONENT PARTS] (555000)



1C010-044-10

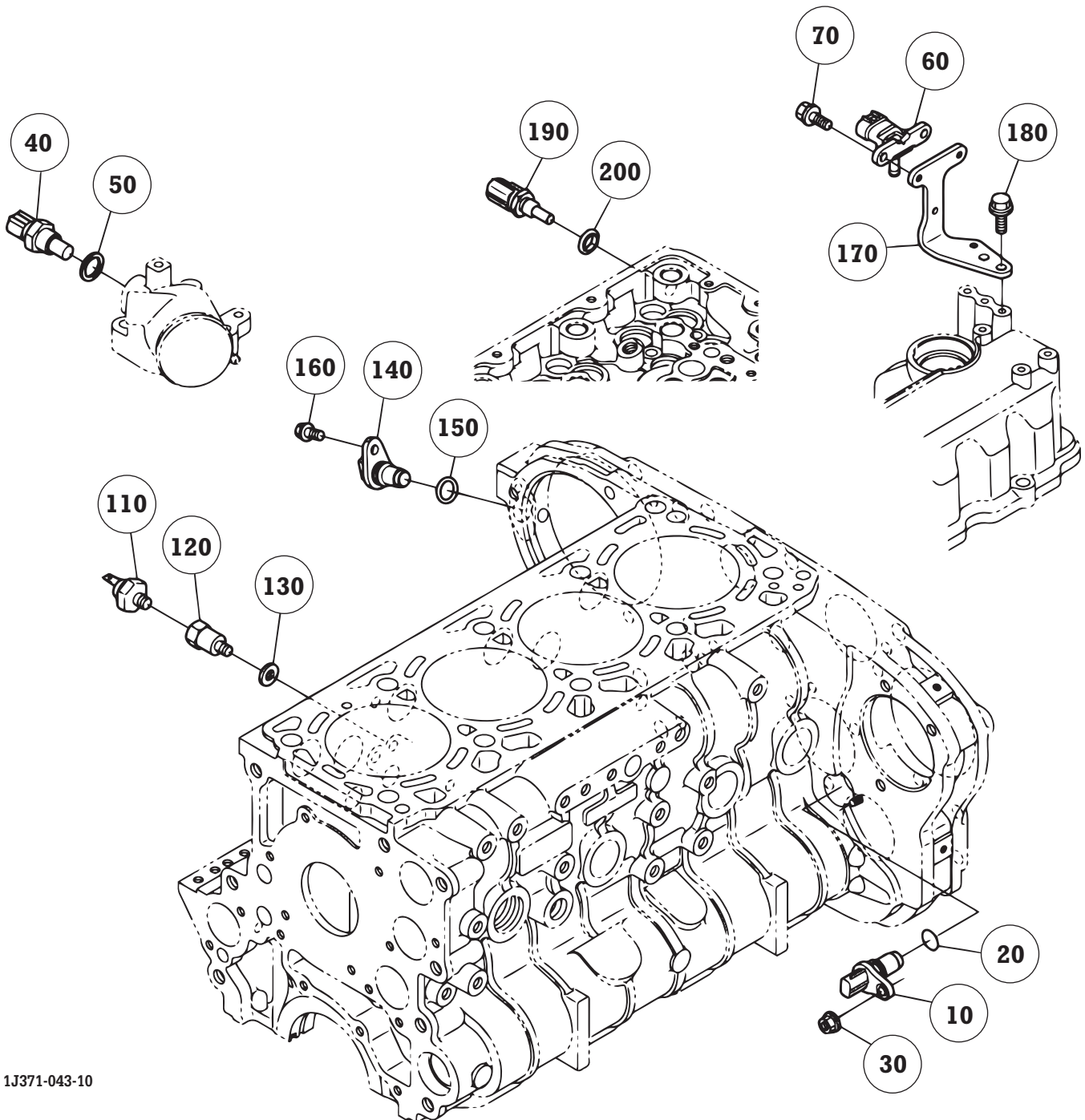


Bright Forklift

BD3-7570

STARTER [COMPONENT PARTS] (555000)

ITEM	QTY.	PART NUMBER	DESCRIPTION
10	1	097-01203	ASSEMBLY STARTER, 12V 3.0KW
20	1		ASSEMBLY BRACKET, FRONT
30	1		SET BEARING
40	1		ASSEMBLY SHAFT, CLUTCH
50	1		ASSEMBLY SHAFT, GEAR
60	1		SET WASHER
70	1		SET GEAR
80	1		CLUTCH, OVER RUNNING
90	4		ASSEMBLY GEAR
100	1		ASSEMBLY LEVER, SET
110	1		SET PINION
120	1		SET STOPPER
130	1		ASSEMBLY SWITCH, MAGNETIC
140	1		SET SCREW
150	1		BALL
160	1		SET, PACKING
170	1		ASSEMBLY ARMATURE
180	1		BEARING
190	1		ASSEMBLY YOKE
200	1		ASSEMBLY HOLDER, BRUSH
210	4		BRUSH, SPRING
220	2		BRUSH
230	1		ASSEMBLY BRACKET, REAR
240	1		SET, BOLT



1J371-043-10



Bright Forklift

BD3-7570

SWITCHES AND SENSORS (557000)

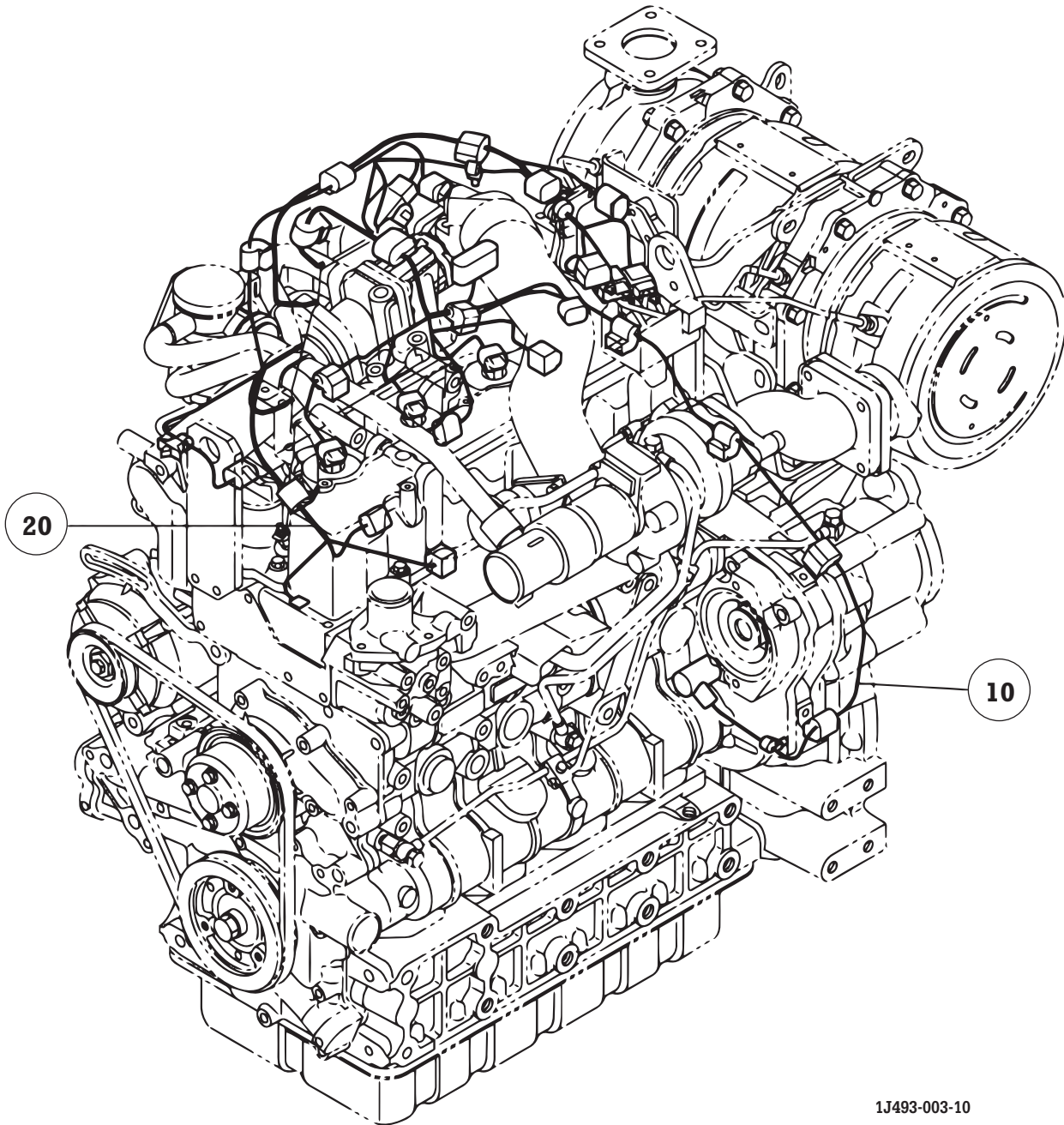
ITEM	QTY.	PART NUMBER	PART NAME
10	1	097-01204	SENSOR (G)
20	1	097-01205	O-RING
30	1		NUT, FLANGE
40	1	097-01206	SENSOR (THERMOSTAT)
50	1	097-00160	PACKING
60	1	097-01207	SENSOR, BOOST
70	2		BOLT, FLANGE
110	1	097-01145	SWITCH, OIL
120	1		BOLT, CONNECT.
130	1	097-01208	PACKING
140	1	097-01209	SENSOR (NE)
150	1	097-01210	O-RING
160	1		BOLT, FLANGE
170	1		BRACKET (BOOST)
180	2		BOLT, FLANGE
190	1	097-01146	SENSOR, WATER TEMPERATURE
200	1	097-01211	WASHER, SEAL



Bright Forklift

BD3-7570

ELECTRICAL WIRING (558000)



1J493-003-10

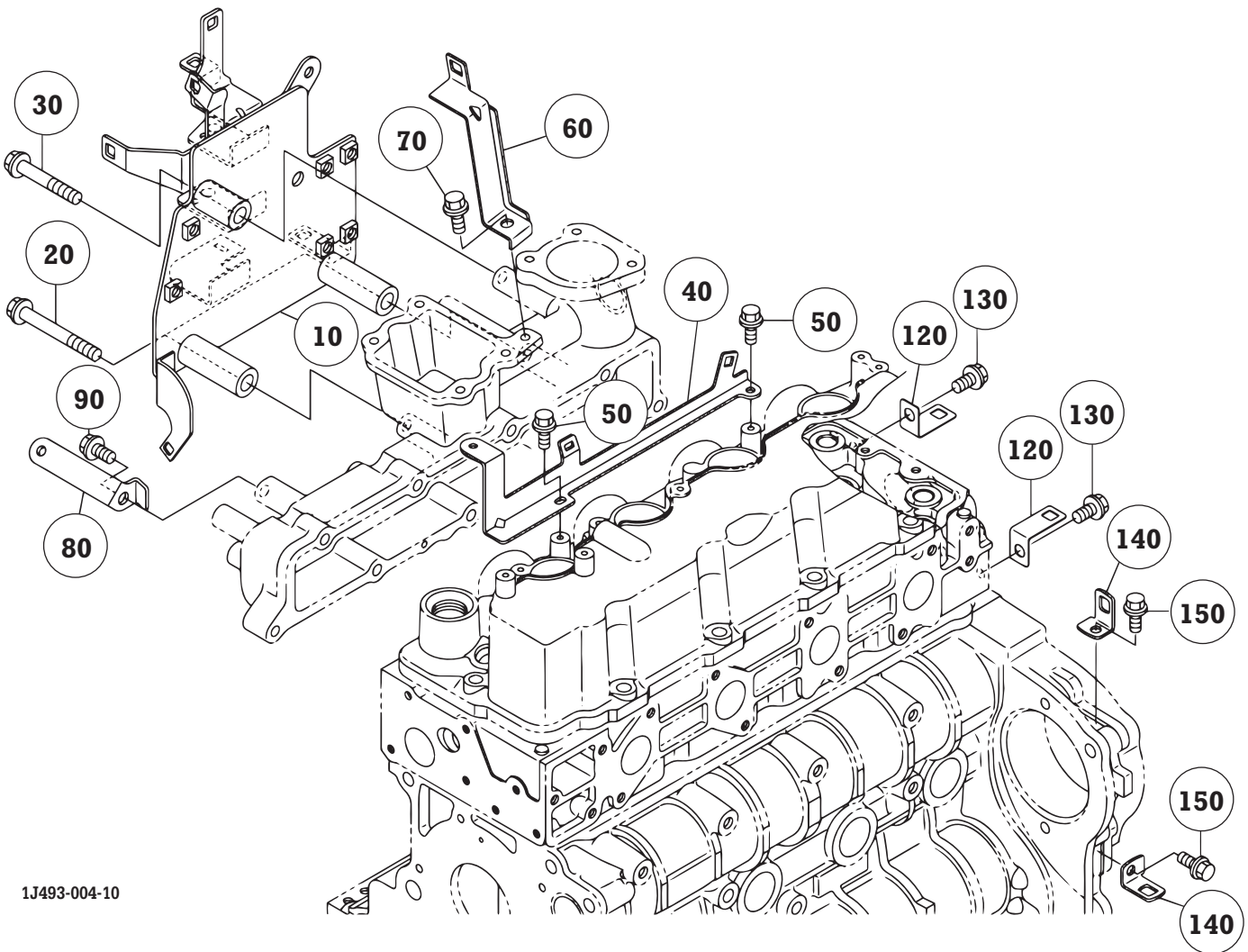


Bright Forklift

BD3-7570

ELECTRICAL WIRING (558000)

ITEM	QTY.	PART NUMBER	PART NAME
10	1	097-01212	HARNESS, WIRE, ASSEMBLY (ENGINE)
20	1	097-01213	HARNESS, WIRE, ASSEMBLY (INJECTOR)



1J493-004-10



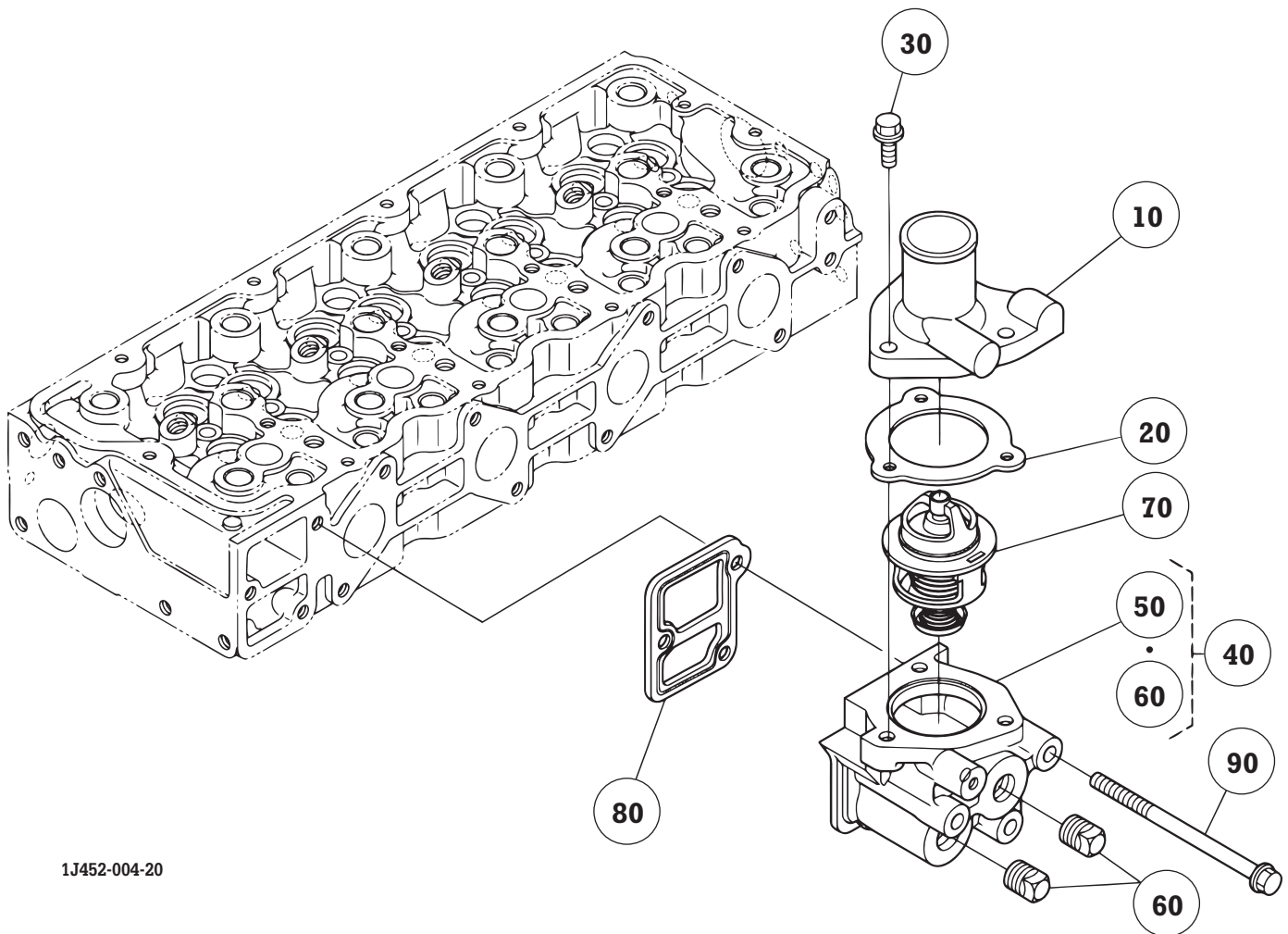
Bright Forklift

BD3-7570

WIRE HARNESS BRACKET 1 (558500)

ITEM	QTY.	PART NUMBER	DESCRIPTION
10	1		BRACKET, COMPLETE (HARNESS)
20	2		BOLT, FLANGE
30	1		BOLT, FLANGE
40	1		BRACKET, COMPLETE (WH, 2)
50	2		BOLT, FLANGE
60	1		BRACKET (WIRE HARNESS, 3)
70	1		BOLT, FLANGE
80	1		BRACKET (WIRE HARNESS, 4)
90	1		BOLT, FLANGE
120	2		BRACKET (WIRE HARNESS, 5)
130	2		BOLT, FLANGE
140	2		PLATE, CLAMP
150	2		BOLT, FLANGE

WATER FLANGE AND THERMOSTAT (560000)



1J452-004-20



Bright Forklift

BD3-7570

WATER FLANGE AND THERMOSTAT (560000)

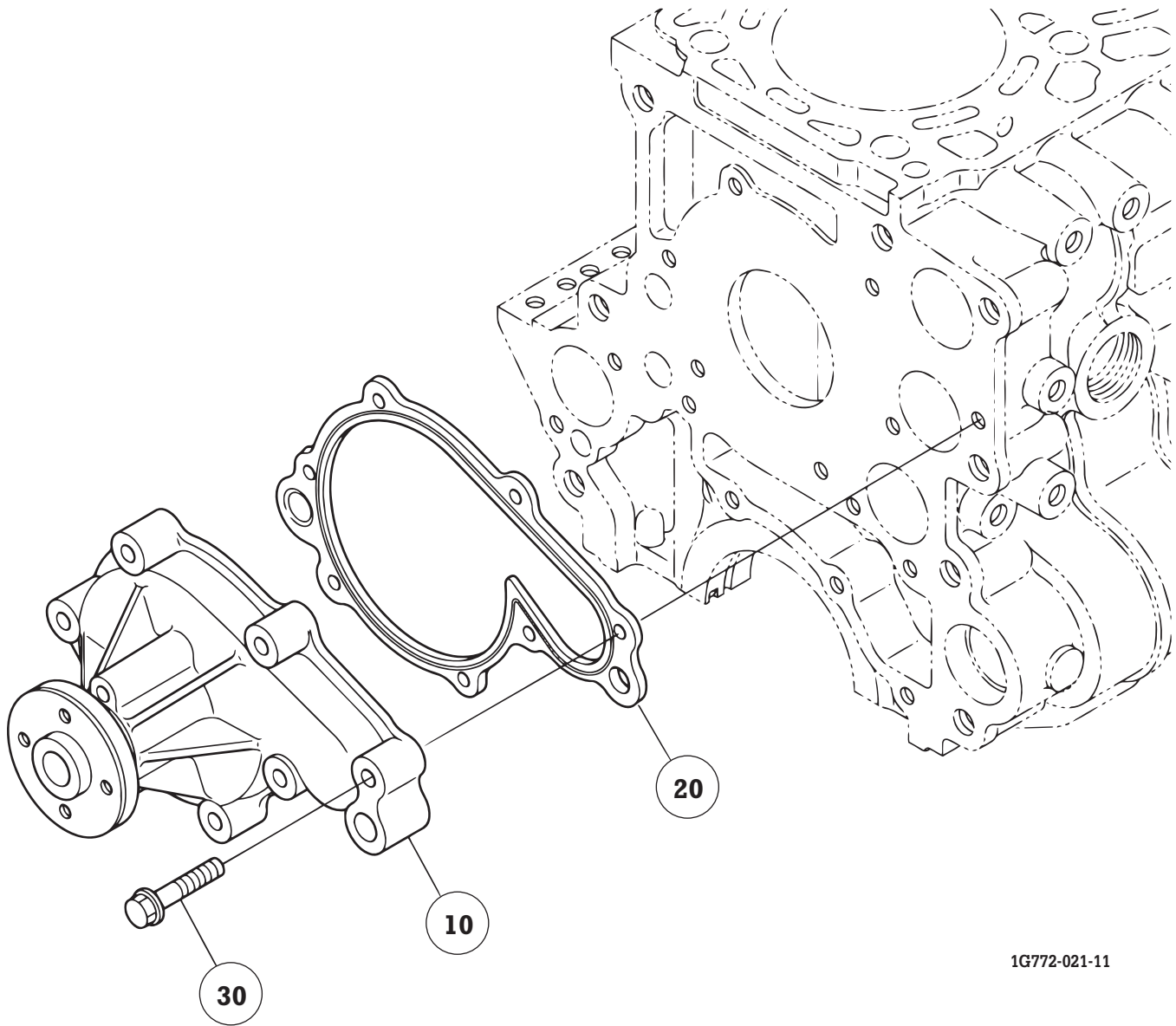
ITEM	QTY.	PART NUMBER	DESCRIPTION
10	1		COVER, THERMOSTAT
20	1	097-01214	GASKET
30	3		BOLT, FLANGE
40	1		COMPLETE FLANGE, WATER
50	1		FLANGE, WATER
60	2		PLUG
70	1	097-01215	THERMOSTAT, ASSEMBLY
80	1		GASKET, WATER FLANGE
90	3		BOLT, FLANGE



Bright Forklift

BD3-7570

WATER PUMP (561000)



1G772-021-11



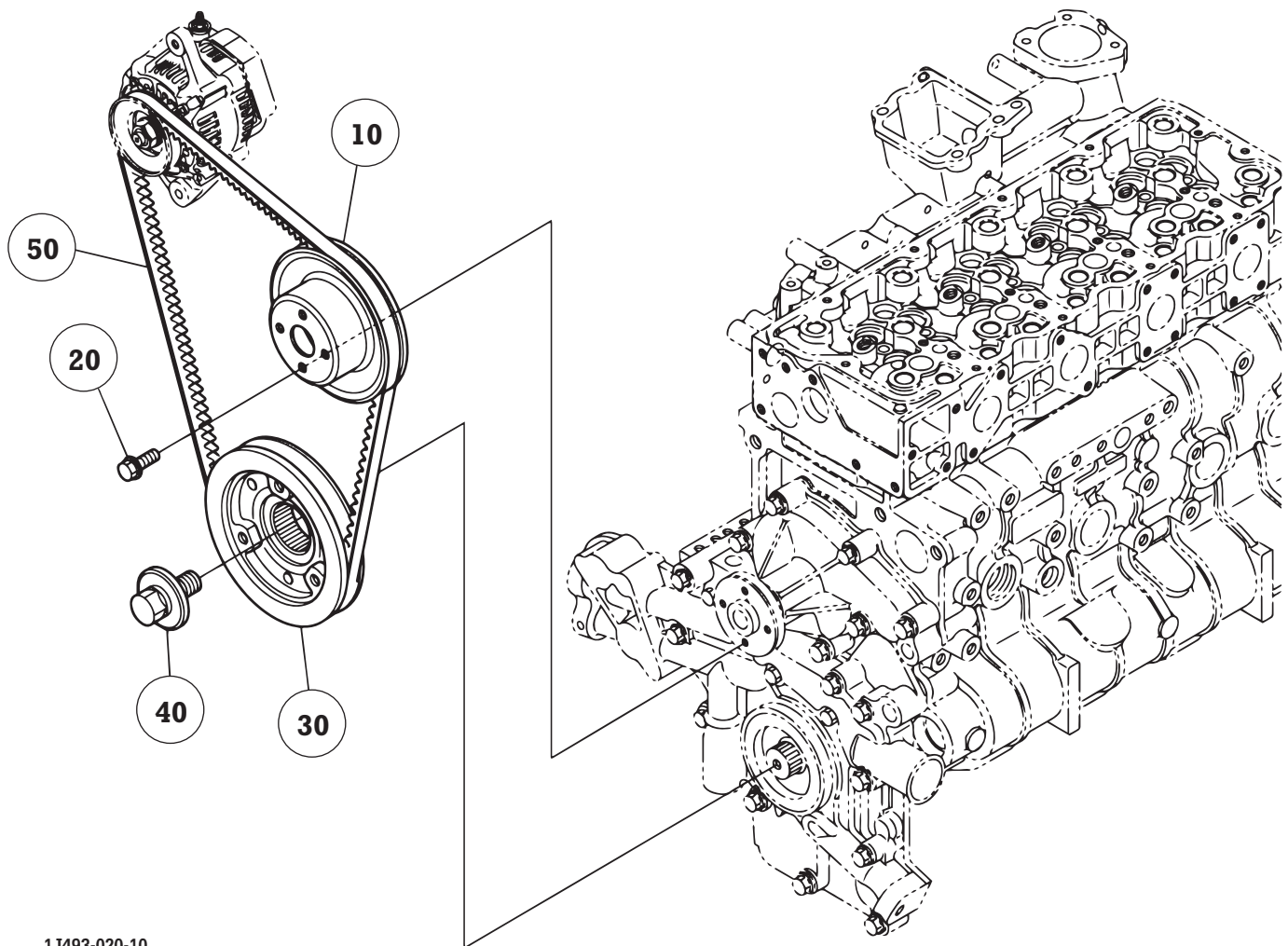
Bright Forklift

BD3-7570

WATER PUMP (561000)

ITEM	QTY.	PART NUMBER	DESCRIPTION
10	1	097-01216	ASSEMBLY PUMP, WATER
20	1	097-01217	GASKET, WATER PUMP
30	7		BOLT, FLANGE

FAN AND PULLEY (567000)



1J493-020-10



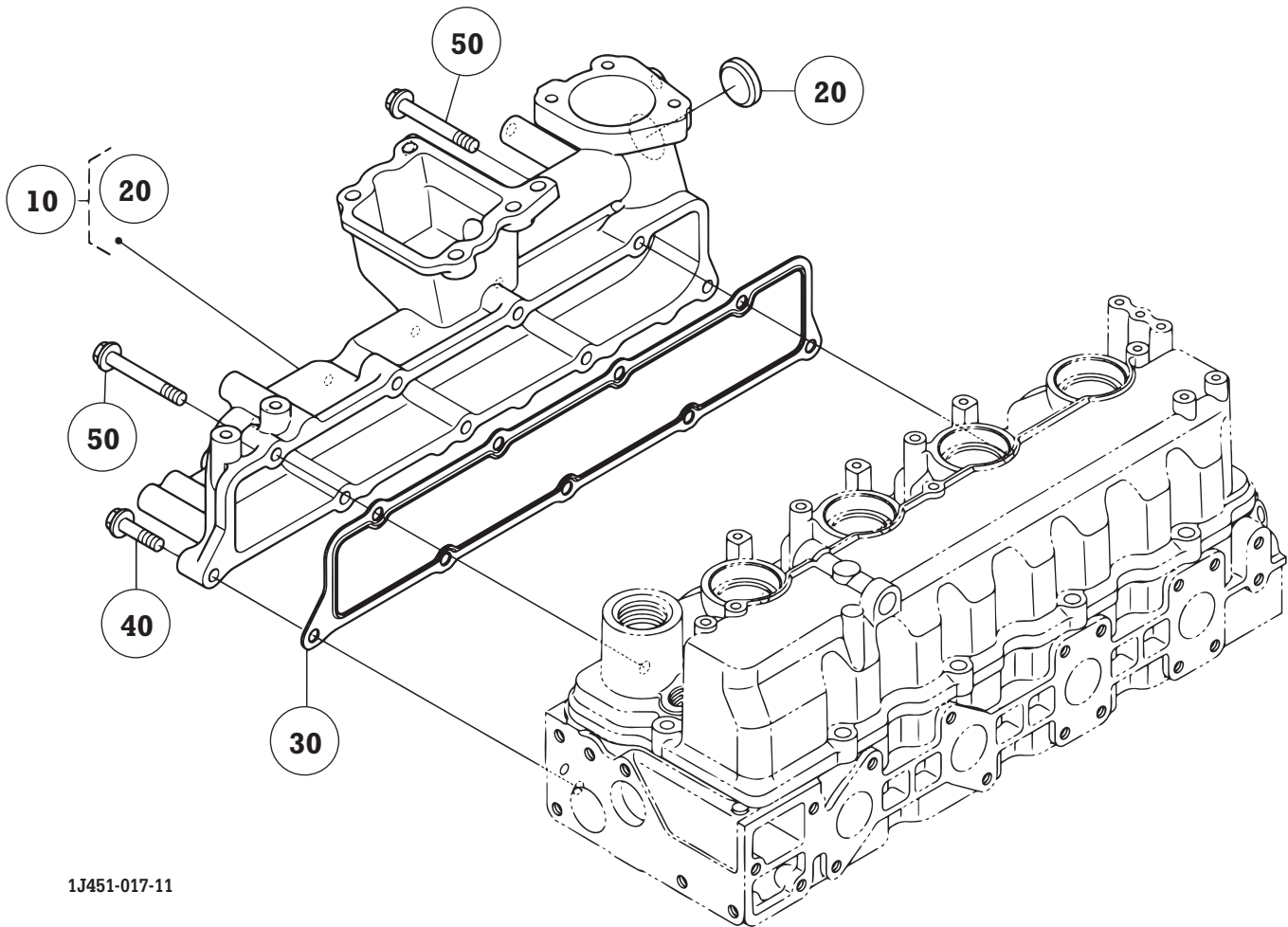
Bright Forklift

BD3-7570

FAN AND PULLEY (567000)

ITEM	QTY.	PART NUMBER	DESCRIPTION
10	1		PULLEY, FAN
20	4		BOLT, FLANGE
30	1		PULLEY, FAN DRIVE
40	1		BOLT
50	1	097-01218	V-BELT

INLET MANIFOLD (571000)



1J451-017-11



Bright Forklift

BD3-7570

INLET MANIFOLD (571000)

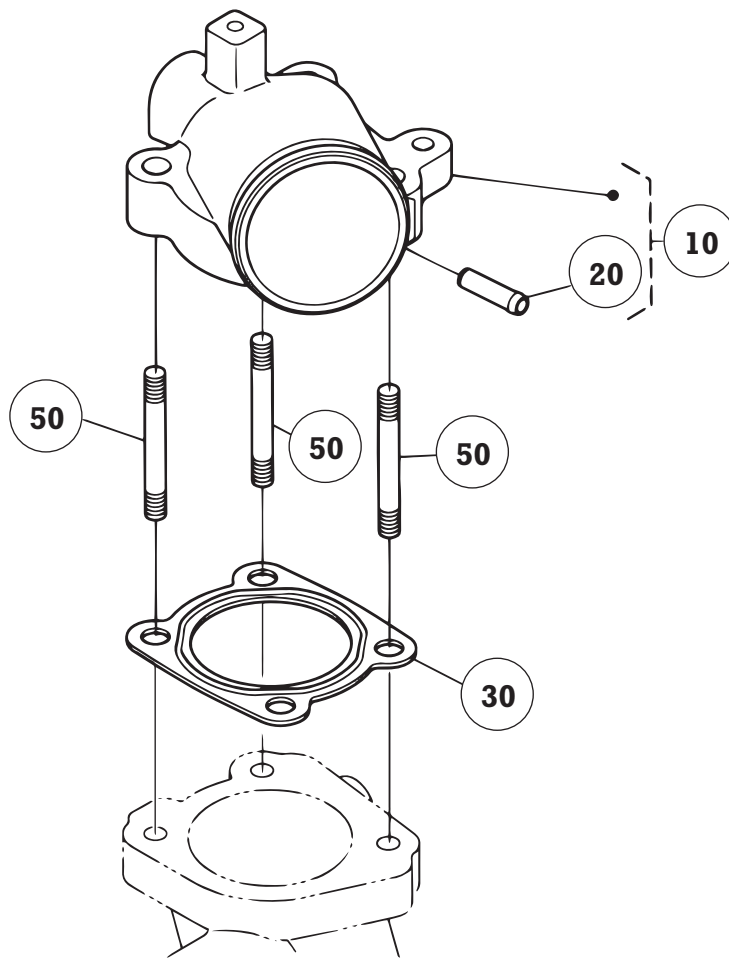
ITEM	QTY.	PART NUMBER	DESCRIPTION
10	1		MANIFOLD, ASSEMBLY (INLET)
20	1	097-01219	CAP, SEALING
30	1	097-01220	GASKET, IN-MANIFOLD
40	7		BOLT, FLANGE
50	2		BOLT, FLANGE



Bright Forklift

BD3-7570

AIR CLEANER FLANGE AND THROTTLE VALVE (571100)



1J493-005-10



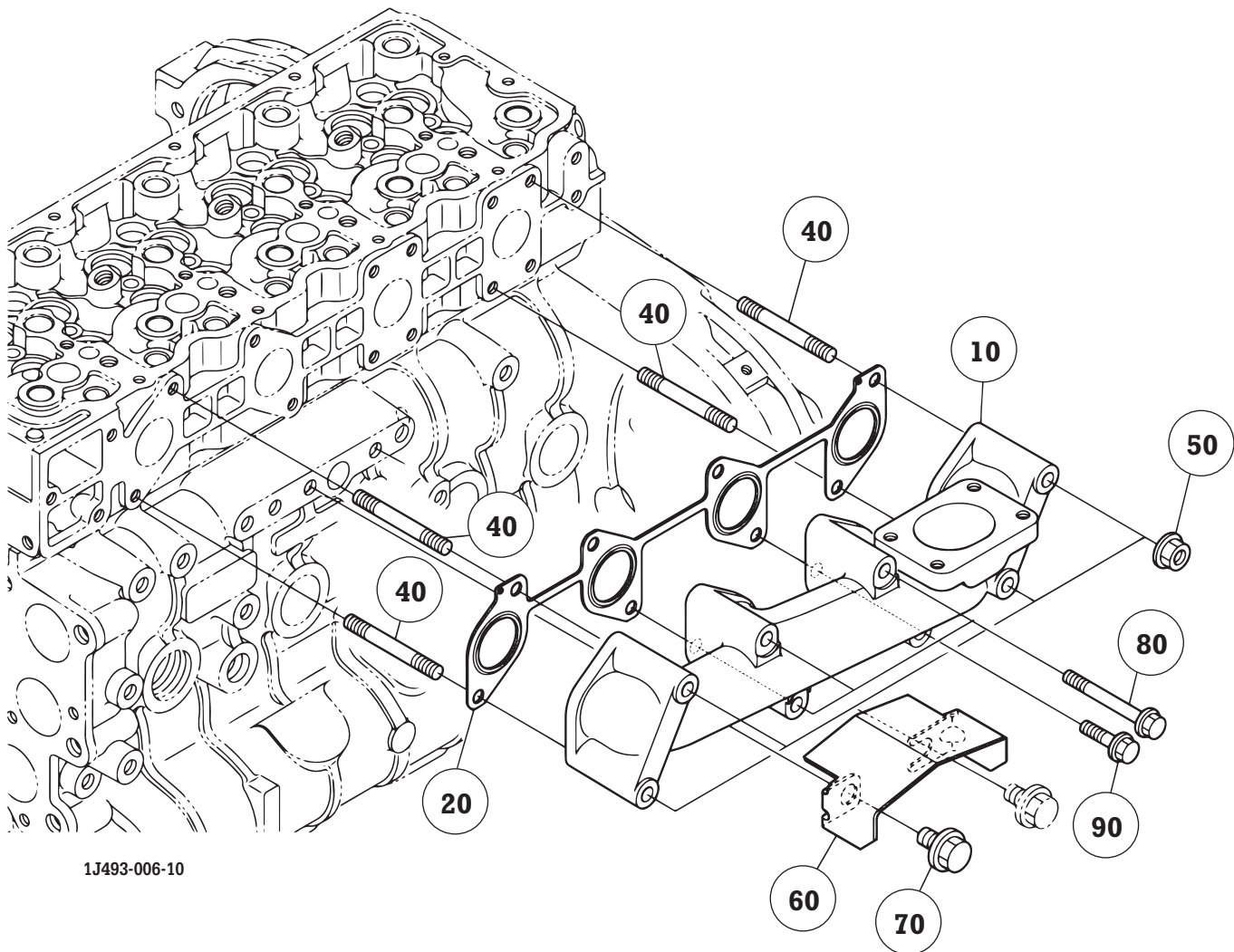
Bright Forklift

BD3-7570

AIR CLEANER FLANGE AND THROTTLE VALVE (571100)

ITEM	QTY.	PART NUMBER	DESCRIPTION
10	1		FLANGE, COMPLETE (INLET)
20	1		PIPE, BOOST
30	1	097-01221	GASKET (INLET FLANGE)
50	3		BOLT, FLANGE

EXHAUST MANIFOLD (572000)



1J493-006-10

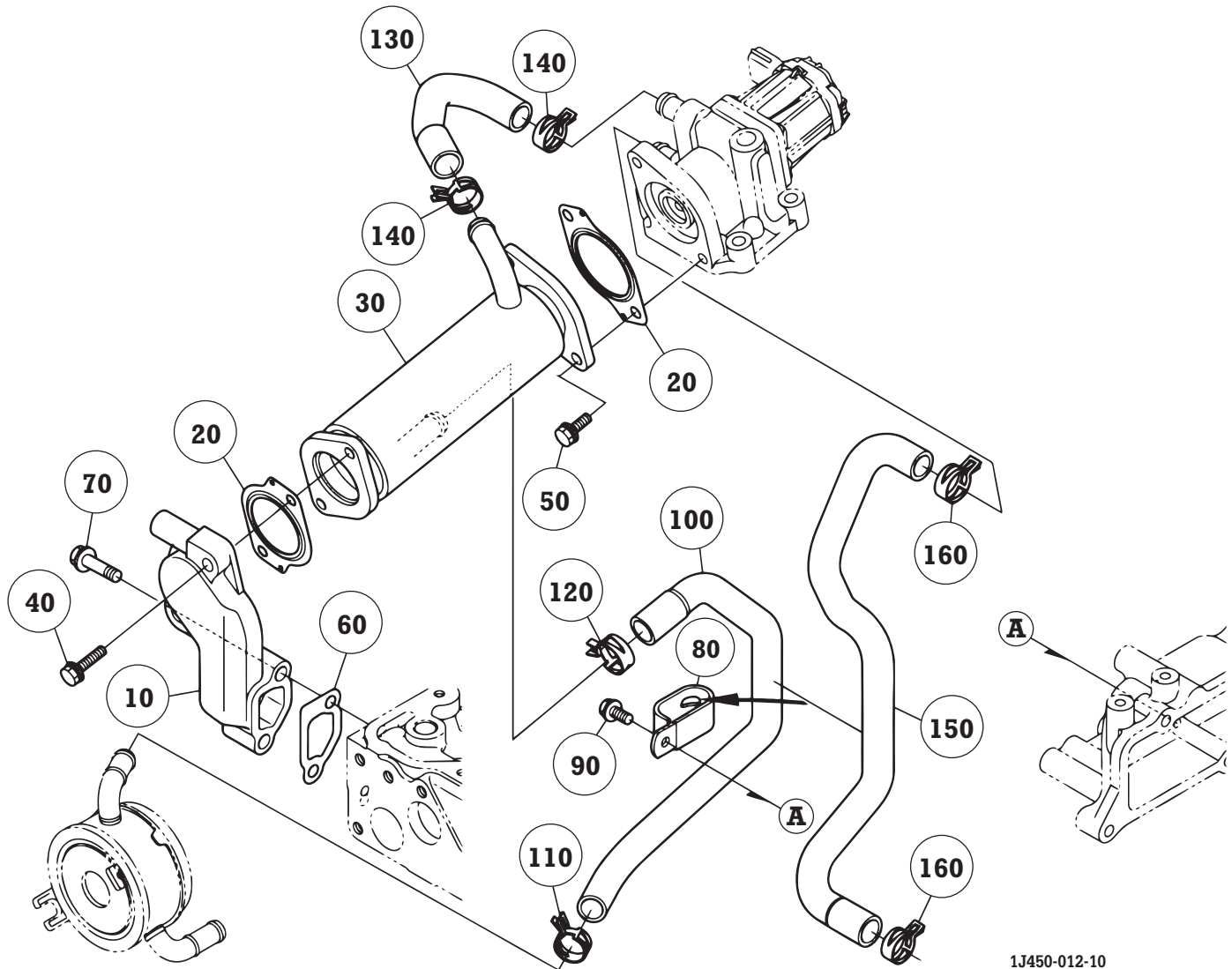


Bright Forklift

BD3-7570

EXHAUST MANIFOLD (572000)

ITEM	QTY.	PART NUMBER	DESCRIPTION
10	1	097-01222	MANIFOLD (EXHAUST)
20	1	097-01223	GASKET (EX-MANIFOLD)
40	4	097-01224	BOLT, STUD
50	4	097-01156	NUT, FLANGE
60	1	097-01225	SHIELD (EXHAUST MANIFOLD)
70	1	097-01226	BOLT, FLANGE
80	3	097-01227	BOLT, FLANGE
90	1	097-01228	BOLT, FLANGE



1J450-012-10



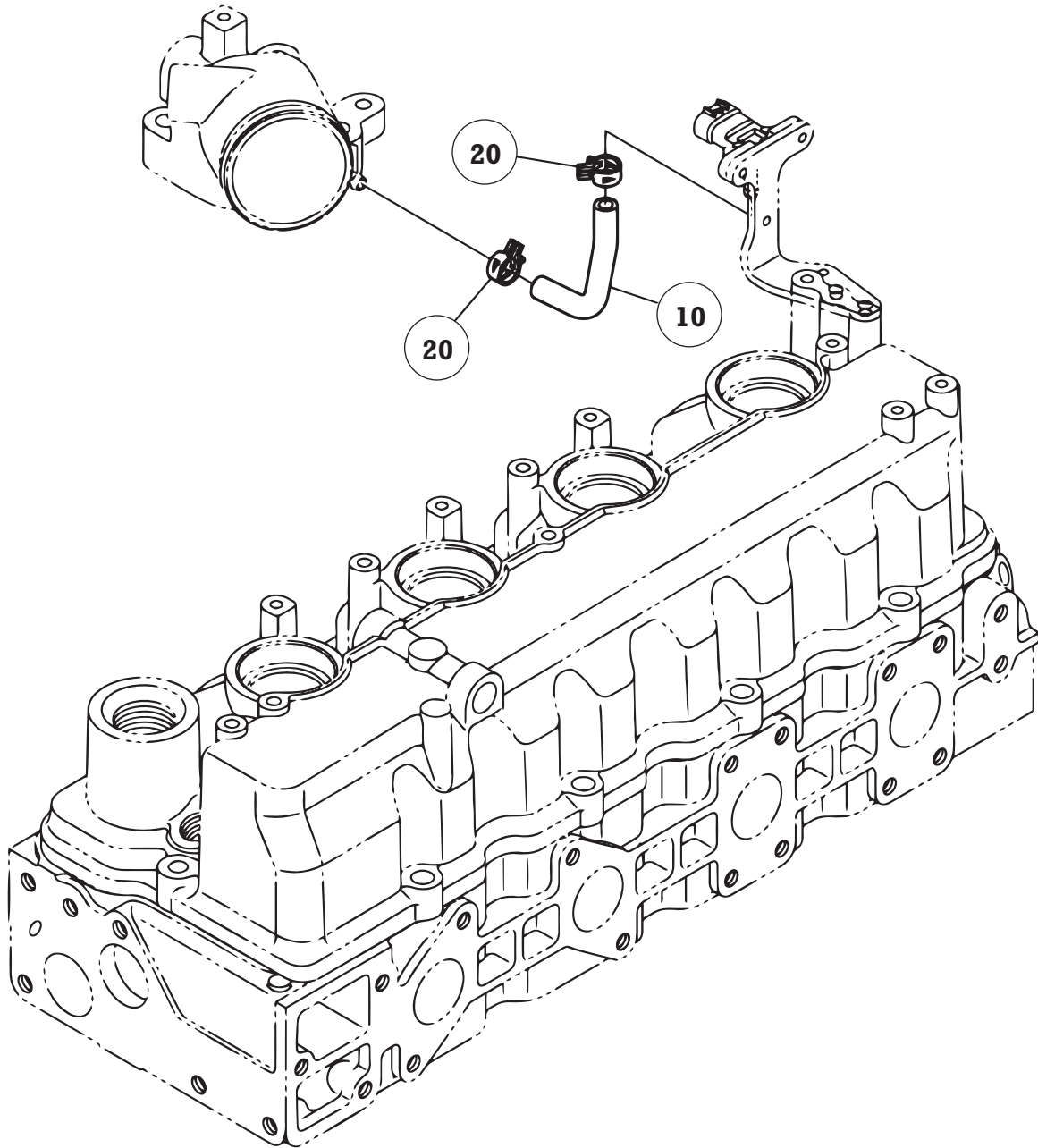
Bright Forklift

BD3-7570

EGR COOLER (572400)

ITEM	QTY.	PART NUMBER	DESCRIPTION
10	1		BASE (EGR COOLER)
20	2	097-01229	GASKET (EGR COOLER)
30	1	097-01230	COOLER, ASSEMBLY
40	2		BOLT, FLANGE
50	2		BOLT, FLANGE
60	1	097-01231	GASKET
70	2		BOLT, FLANGE
80	1		CLAMP, HOSE
90	1		BOLT, FLANGE
100	1	097-01232	PIPE (WATER)
110	1		BAND, HOSE
120	1		CLAMP, HOSE
130	1	097-01233	PIPE (WP2, EGR)
140	2		CLAMP, HOSE
150	1	097-01234	PIPE (WATER)
160	2		CLAMP, HOSE

BOOST AIR PIPE (572500)



1J450-013-10



Bright Forklift

BD3-7570

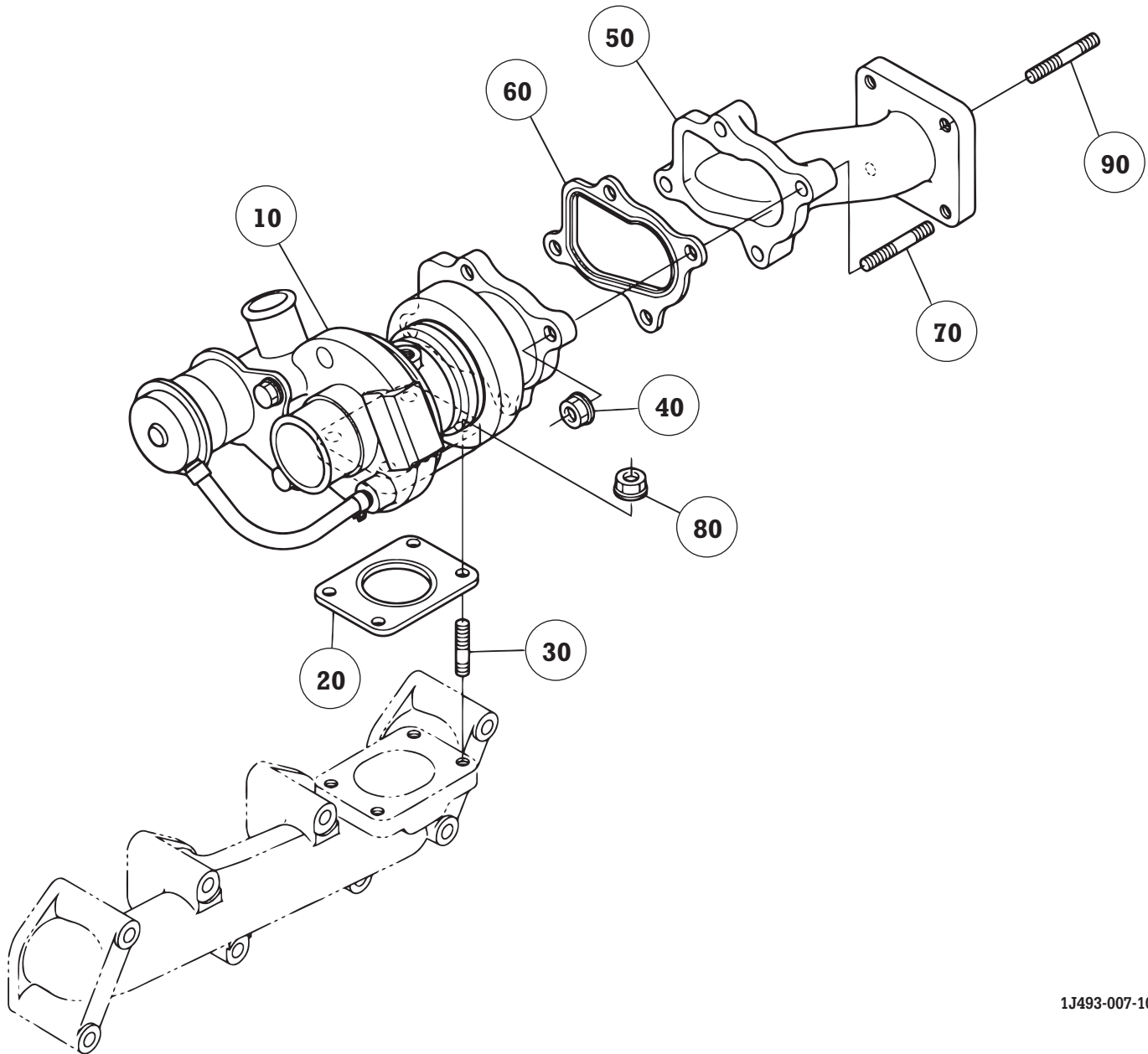
BOOST AIR PIPE (572500)

ITEM	QTY.	PART NUMBER	DESCRIPTION
10	1	097-01235	TUBE (BOOST)
20	2		CLAMP, HOSE

Bright Forklift

BD3-7570

TURBO CHARGER (572600)



1J493-007-10

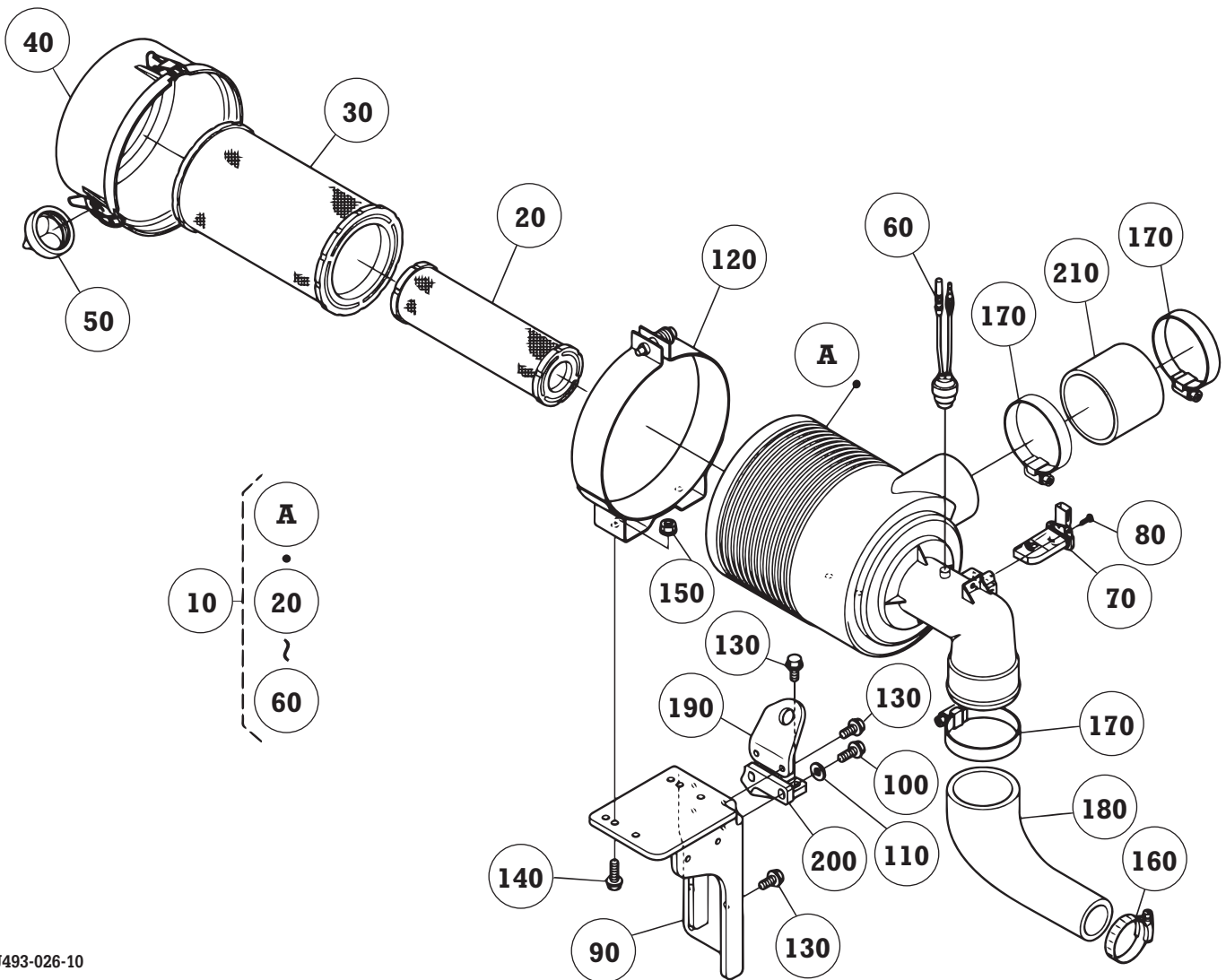


Bright Forklift

BD3-7570

TURBO CHARGER (572600)

ITEM	QTY.	PART NUMBER	DESCRIPTION
10	1	097-01236	TURBOCHARGER, ASSEMBLY
20	1	097-01237	GASKET, TURBO CHARGER
30	4	097-01238	BOLT, STUD
40	4	097-01156	NUT, FLANGE
50	1		FLANGE (MUFFLER)
60	1	097-01239	GASKET, MUFFLER FLAN.
70	4	097-01240	STUD (M8 X 35)
80	4	097-01156	NUT, FLANGE
90	4	097-01238	BOLT, STUD



1J493-026-10



Bright Forklift

BD3-7570

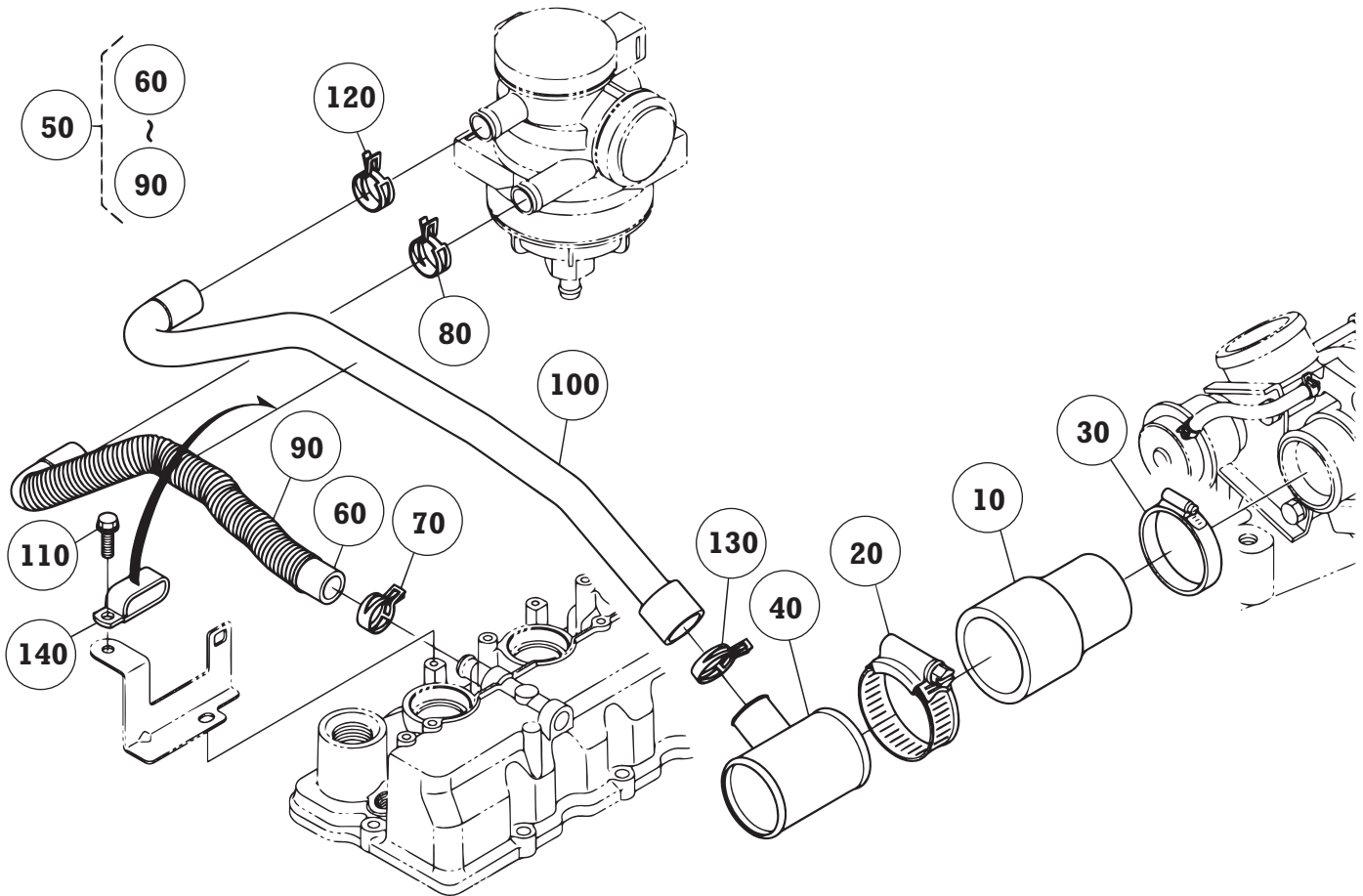
AIR CLEANER (573001)

ITEM	QTY.	PART NUMBER	DESCRIPTION
10	1	097-20963	CLEANER, AIR, ASSEMBLY
20	1	097-20966	ELEMENT, INNER
30	1	097-20965	ASSEMBLY ELEMENT, A/C
40	1	097-20968	COVER, ASSEMBLY
50	1	097-20967	VALVE
60	1	097-01163	ASSEMBLY INDICATOR
70	1	097-01164	SENSOR (AIR FLOW)
80	2		SCREW, PAN HEAD (PHILLIPS)
90	1		STAY (AIR CLEANER), <=8JFZ999
90	1		STAY (AIR CLEANER), >=8JG0001
100	2		BOLT, FLANGE
110	2		WASHER, PLAIN
120	1	097-20964	BAND, ASSEMBLY (AIR CLEANER)
130	6		BOLT, FLANGE
140	2		BOLT, FLANGE
150	2		NUT, FLANGE
160	1		CLAMP, HOSE
170	3		CLAMP, HOSE
180	1	097-01241	HOSE (INLET)
190	1		HOOK (ENGINE)
200	1		STAY (AIR CLEANER, 2)
210	1		HOSE (INLET)

Bright Forklift

BD3-7570

BREATHER PIPE / SEPARATOR PIPE (576000)



1J493-021-10



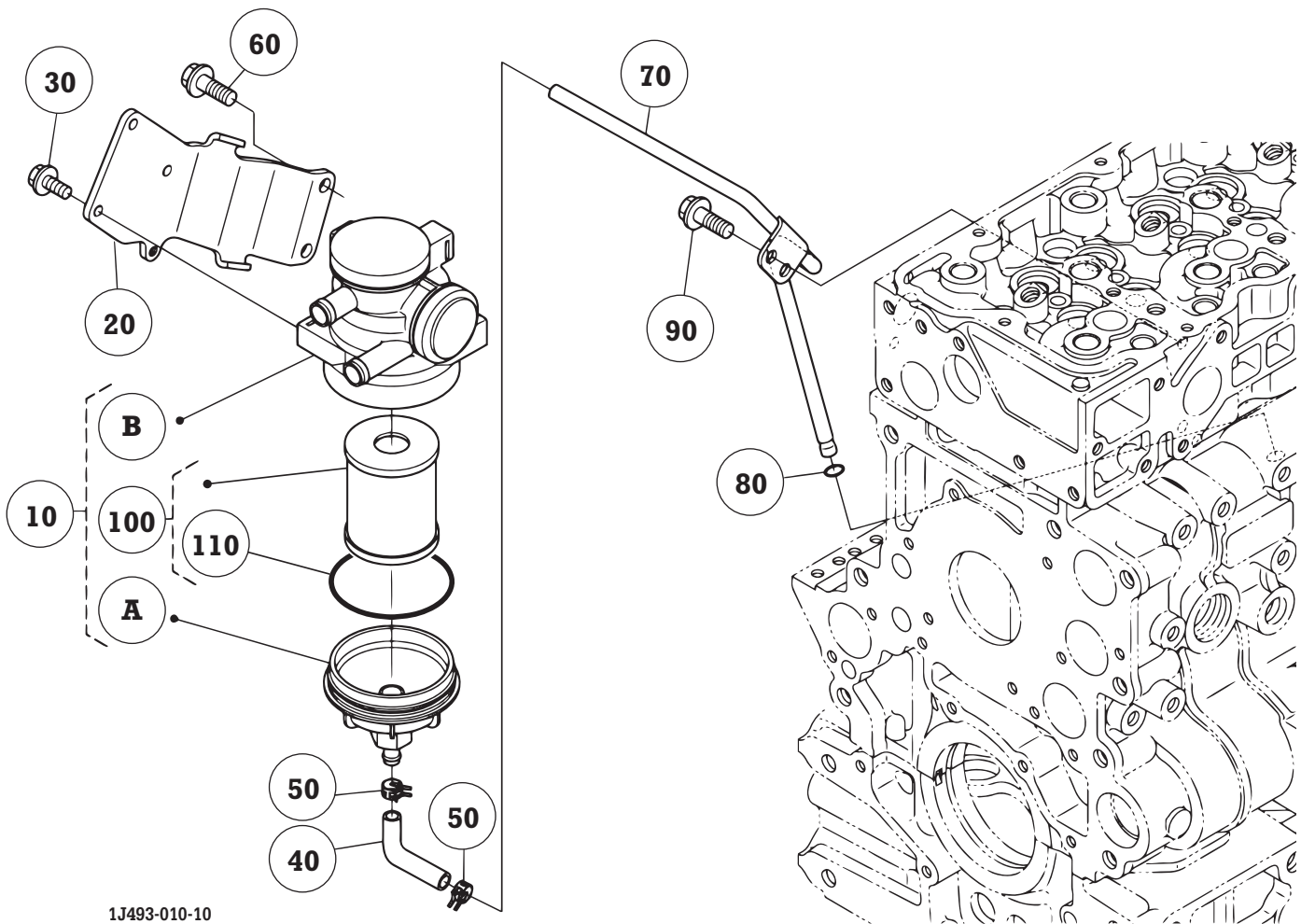
Bright Forklift

BD3-7570

BREATHER PIPE / SEPARATOR PIPE (576000)

ITEM	QTY.	PART NUMBER	DESCRIPTION
10	1	097-01242	TUBE (BREATHER TURBO)
20	1		CLAMP, HOSE
30	1		BAND
40	1		PIPE (BREATHER)
50	1	097-01243	TUBE, ASSEMBLY (BREATHER)
60	1	097-01244	TUBE (1, SEPARATOR)
70	1		CLAMP, HOSE
80	1		CLAMP, HOSE
90	1		TUBE (CORRUGATE)
100	1	097-01245	TUBE (2, BREATHER)
110	1		BOLT, FLANGE
120	1		CLAMP, HOSE
130	1		CLAMP, HOSE
140	1		CLAMP, HOSE

OIL SEPARATOR (576500)





Bright Forklift

BD3-7570

OIL SEPARATOR (576500)

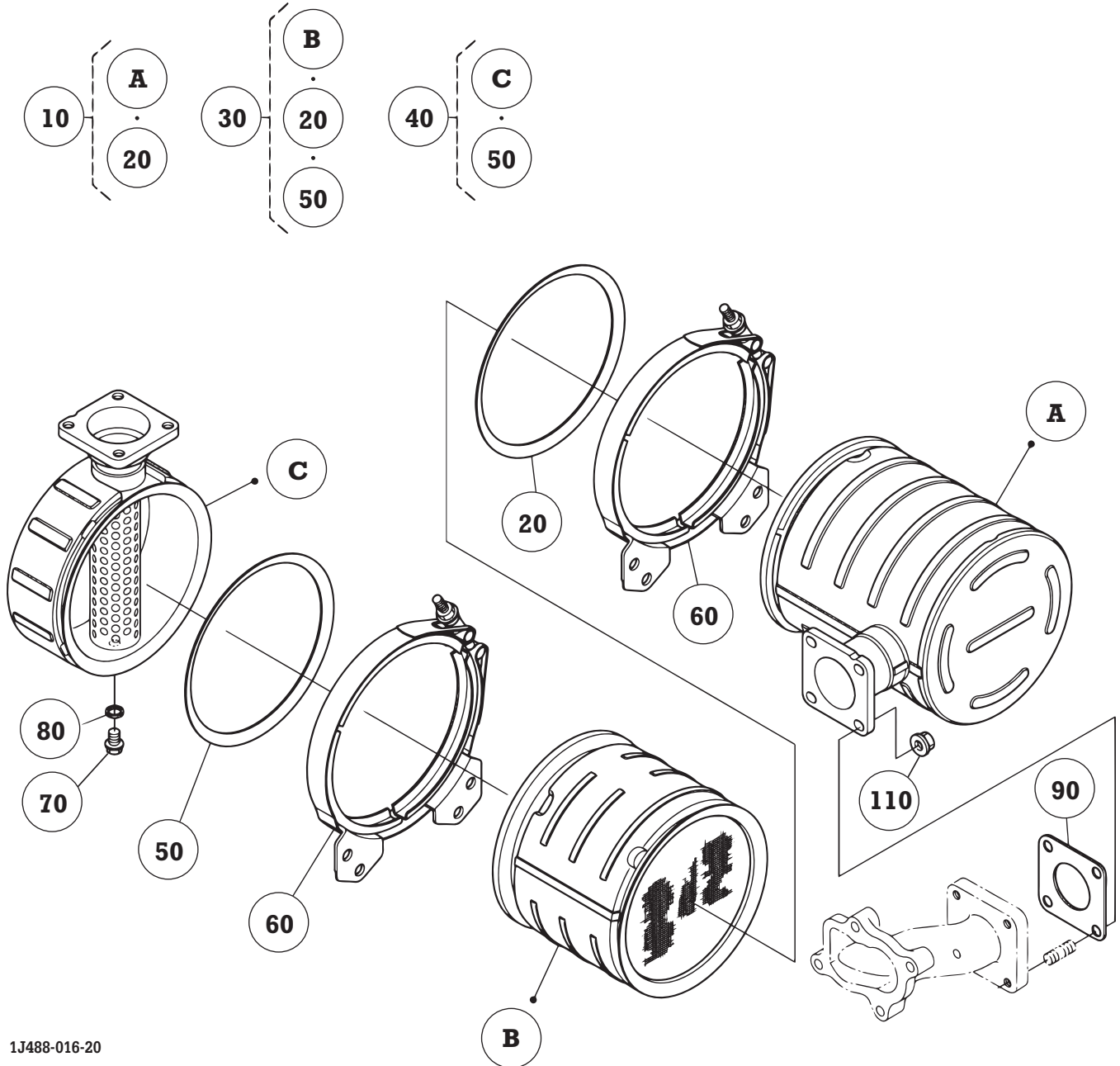
ITEM	QTY.	PART NUMBER	DESCRIPTION
10	1	097-01246	SEPARATOR, ASSEMBLY
20	1		BRACKET (SEPARATOR)
30	3		BOLT, FLANGE
40	1	097-01247	TUBE (OIL RETURN)
50	2		CLAMP, HOSE
60	2		BOLT, FLANGE
70	1		PIPE (OIL RETURN, 1)
80	1		O-RING
90	2		BOLT, FLANGE
100	1	097-01166	ELEMENT, KIT
110	1		O-RING



Bright Forklift

BD3-7570

DIESEL OXIDATION CATALYST MUFFLER (577000)



1J488-016-20



Bright Forklift

BD3-7570

DIESEL OXIDATION CATALYST MUFFLER (577000)

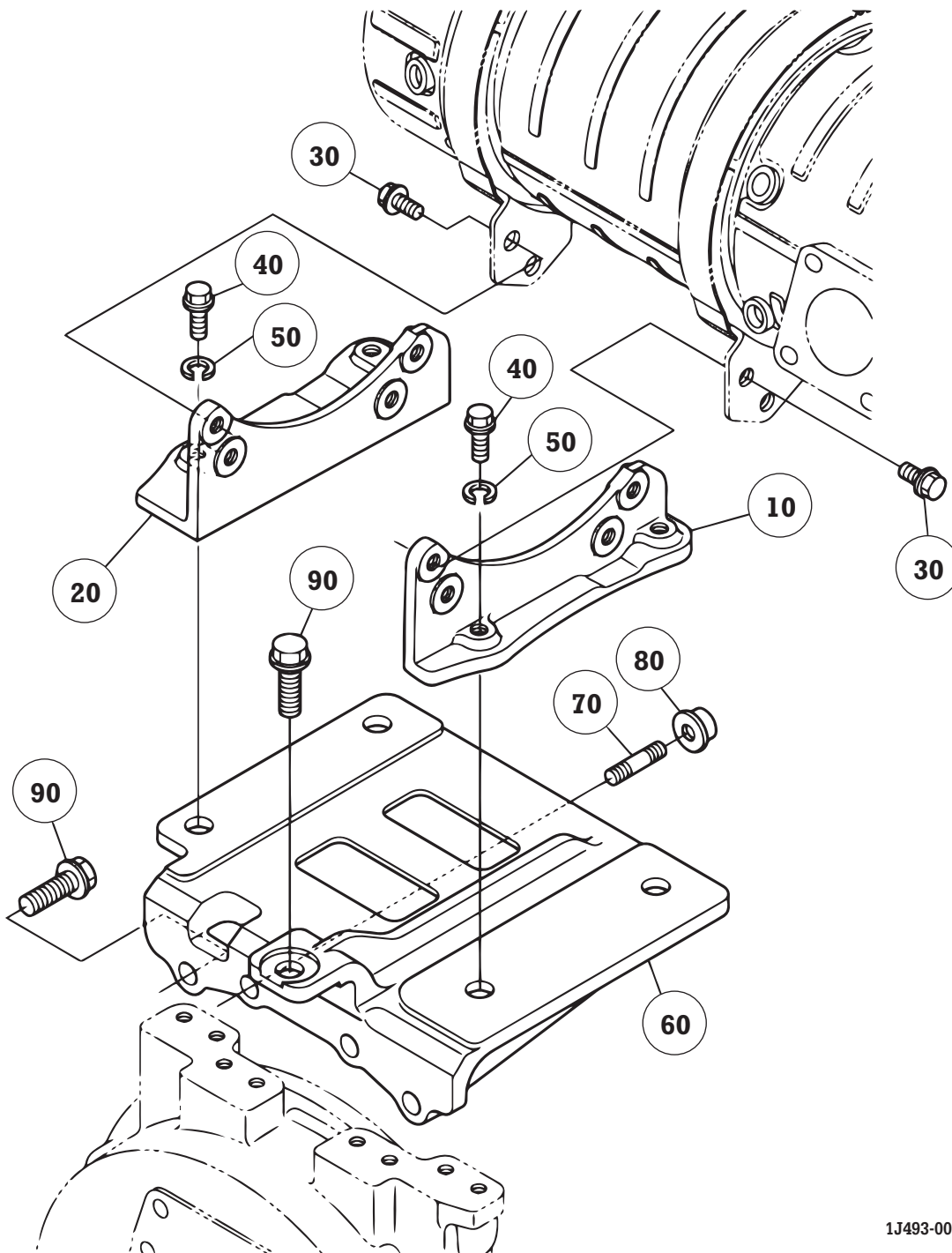
ITEM	QTY.	PART NUMBER	DESCRIPTION
10	1		CATALYST, KIT (DOC, 1)
20	2		GASKET (DPF)
30	1		CATALYST, KIT (DOC, 2)
40	1		BODY, KIT
50	1		GASKET (DPF)
60	2		BRACKET (V BAND, DPF)
70	1		BOLT, FLANGE
80	1		PACKING
90	1		GASKET, MUFFLER
110	4		NUT, FLANGE



Bright Forklift

BD3-7570

DIESEL OXIDATION CATALYST MUFFLER [COMPONENT PARTS] (577100)



1J493-008-10

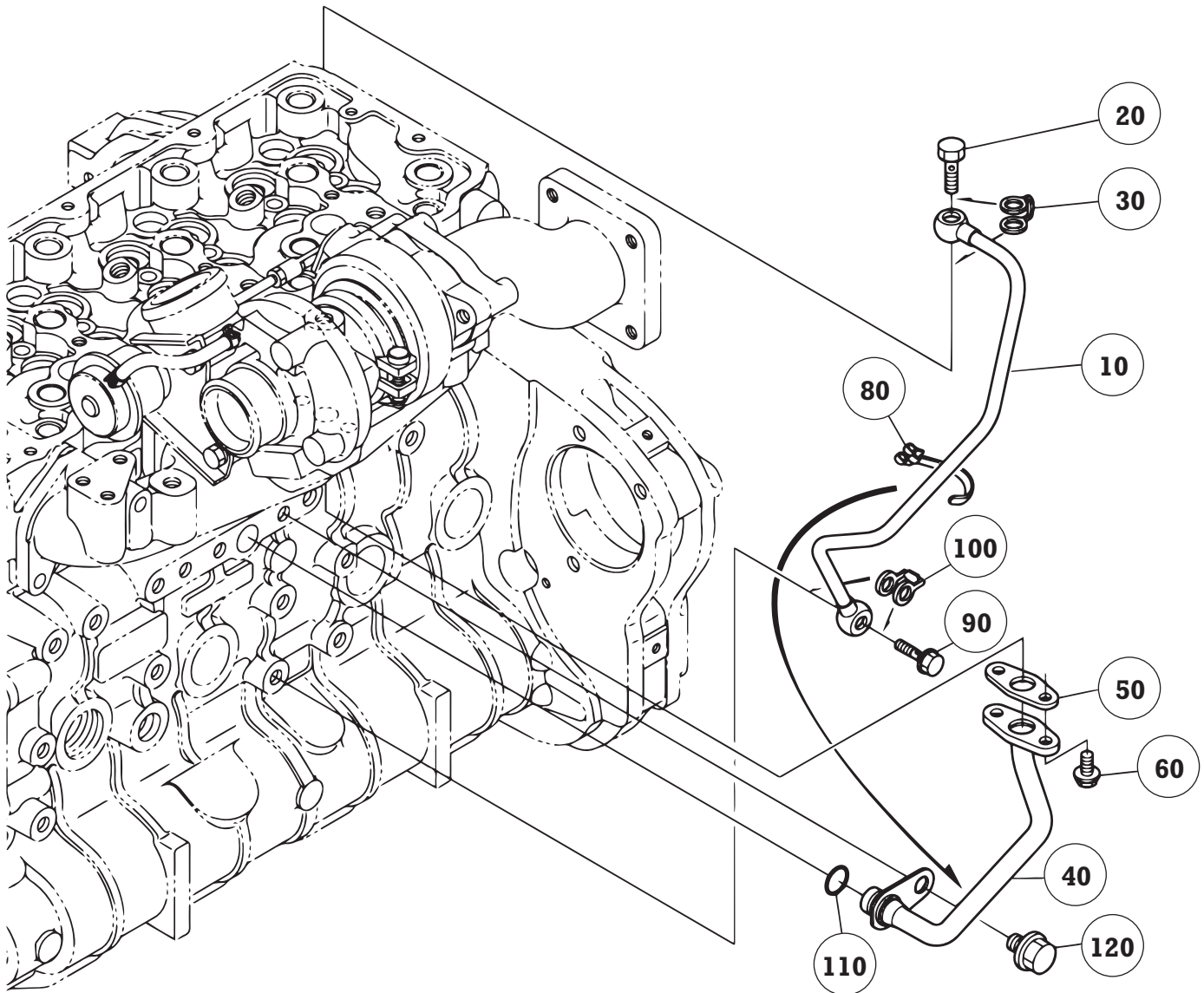


Bright Forklift

BD3-7570

DIESEL OXIDATION CATALYST MUFFLER [COMPONENT PARTS] (577100)

ITEM	QTY.	PART NUMBER	DESCRIPTION
10	1		BRACKET (DOC, 1)
20	1		BRACKET (DOC, 2)
30	8		BOLT, FLANGE
40	4		BOLT, FLANGE
50	4		WASHER (DPF)
60	1		BASE (DPF)
70	2		BOLT, STUD
80	2		NUT, FLANGE
90	3	097-01267	BOLT, FLANGE



1J493-011-10

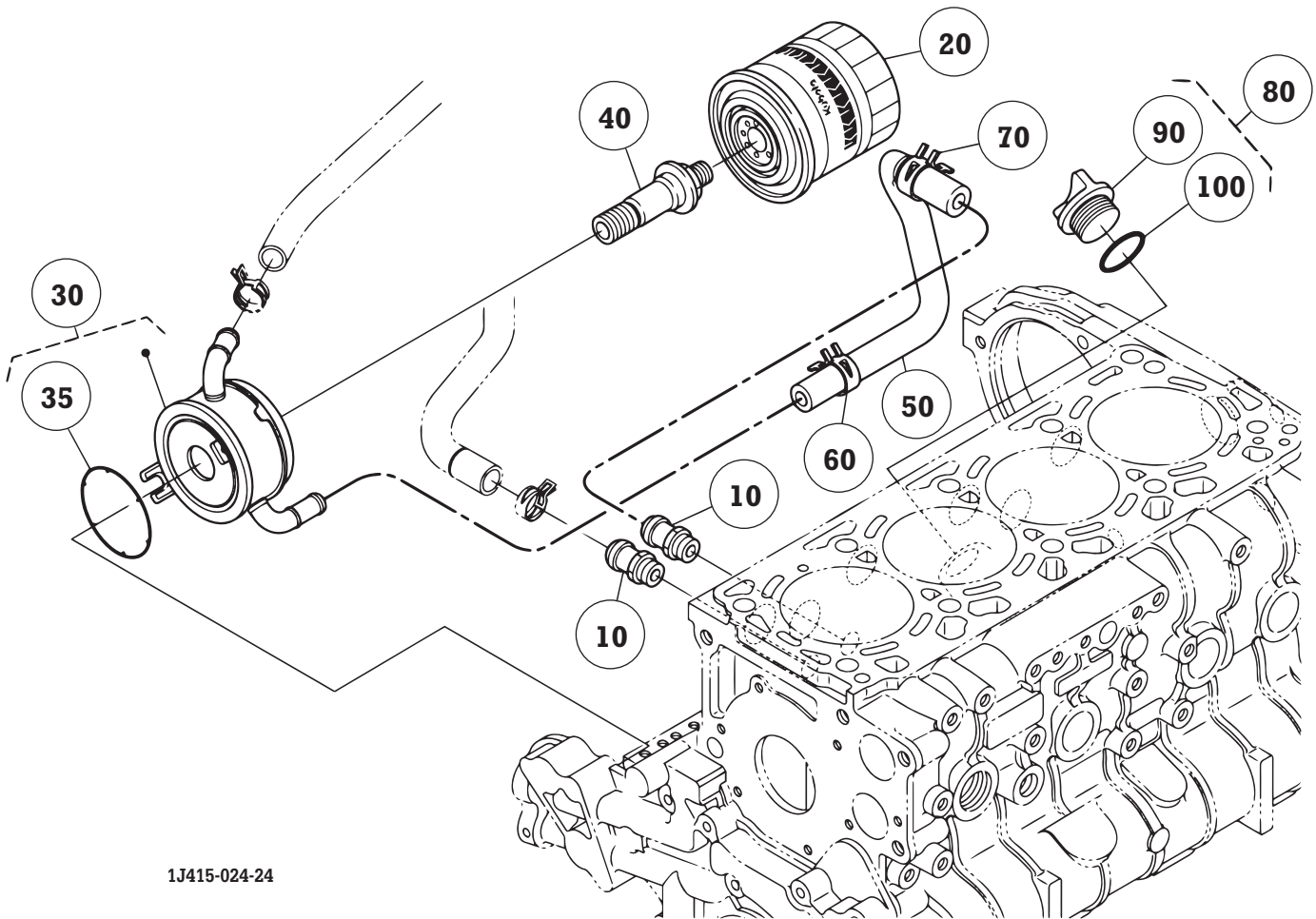


Bright Forklift

BD3-7570

OIL PIPE [TURBO CHARGER] (580000)

ITEM	QTY.	PART NUMBER	DESCRIPTION
10	1		PIPE, COMPLETE (1, OIL)
20	1		BOLT, EYE JOINT
30	1	097-01032	GASKET
40	1		PIPE, COMPLETE (OIL)
50	1		GASKET, OIL PIPE TC
60	2		BOLT, FLANGE
80	1		CLAMP (PIPE)
90	1		BOLT, EYE JOINT
100	1	097-01248	GASKET
110	1	097-01249	O-RING
120	1		BOLT, FLANGE



1J415-024-24

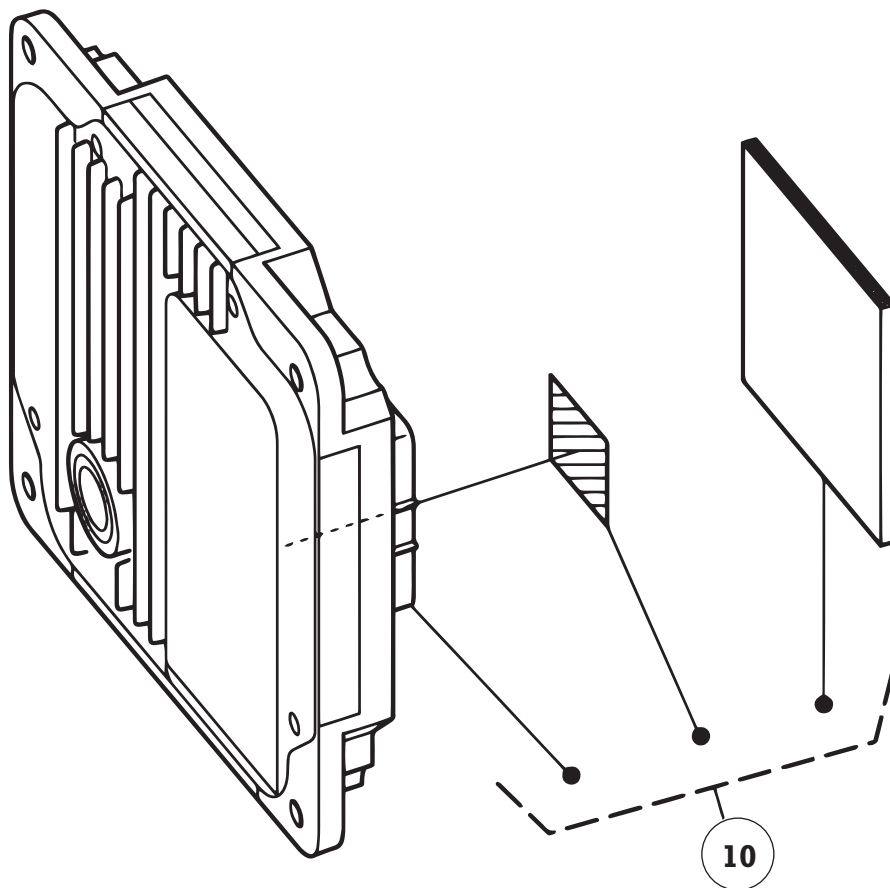


Bright Forklift

BD3-7570

OIL COOLER (582000)

ITEM	QTY.	PART NUMBER	DESCRIPTION
10	2		JOINT, WATER PIPE
20	1	097-24901	FILTER (CARTRIDGE, OIL)
30	1	097-01250	ASSEMBLY COOLER, OIL
35	1	097-01114	O-RING, 73.5 X 3.1
40	1		JOINT
50	1	097-01251	PIPE, OIL COOLER
60	1		BAND, HOSE
70	1		CLAMP, HOSE
80	1		ASSEMBLY PLUG, OIL FILLER
90	1		PLUG (OIL FILLER)
100	1		O-RING



1J371-044-10



Bright Forklift

BD3-7570

ECU (587200)

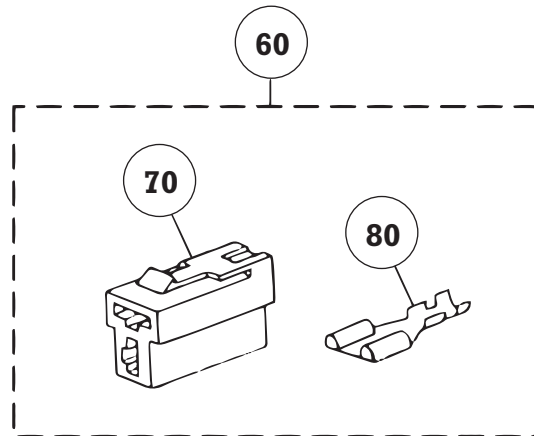
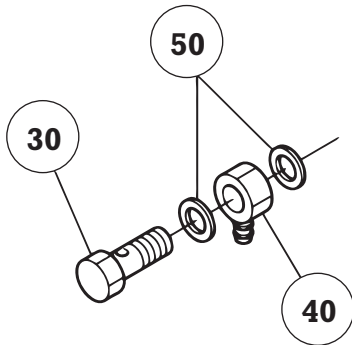
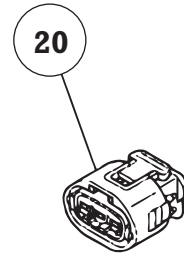
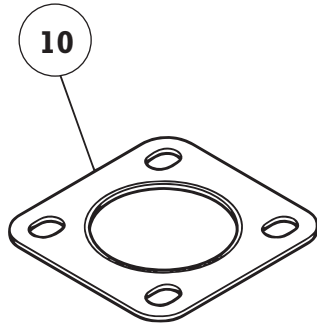
ITEM	QTY.	PART NUMBER	DESCRIPTION
10	1	097-01252	ECU (07-OEM)



Bright Forklift

BD3-7570

ACCESSORIES AND SERVICE PARTS (588000)



1J493-023-10



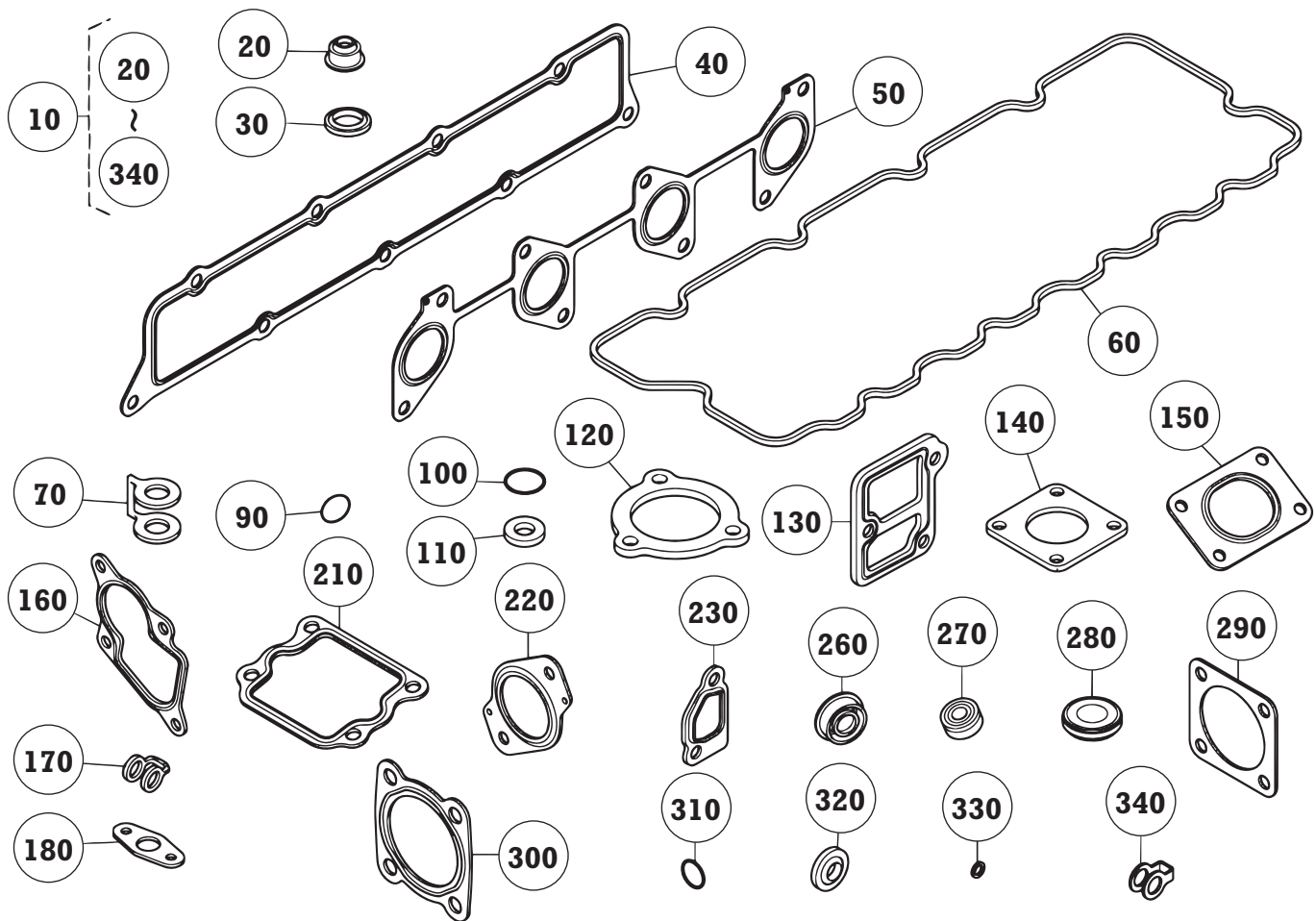
Bright Forklift

BD3-7570

ACCESSORIES AND SERVICE PARTS (588000)

ITEM	QTY.	PART NUMBER	DESCRIPTION
10	1	097-00489	GASKET, MUFFLER
20	1		ASSEMBLY CONNECTOR, 2
30	2	097-20928-01	BOLT, JOINT
40	2	097-00266	JOINT, EYE
50	4	097-20933	GASKET
60	1		ASSEMBLY COUPLER
70	1		CONNECTOR
80	2		TERMINAL

UPPER GASKET KIT [OPTION] (591000)



1J451-032-11



Bright Forklift

BD3-7570

UPPER GASKET KIT [OPTION] (591000)

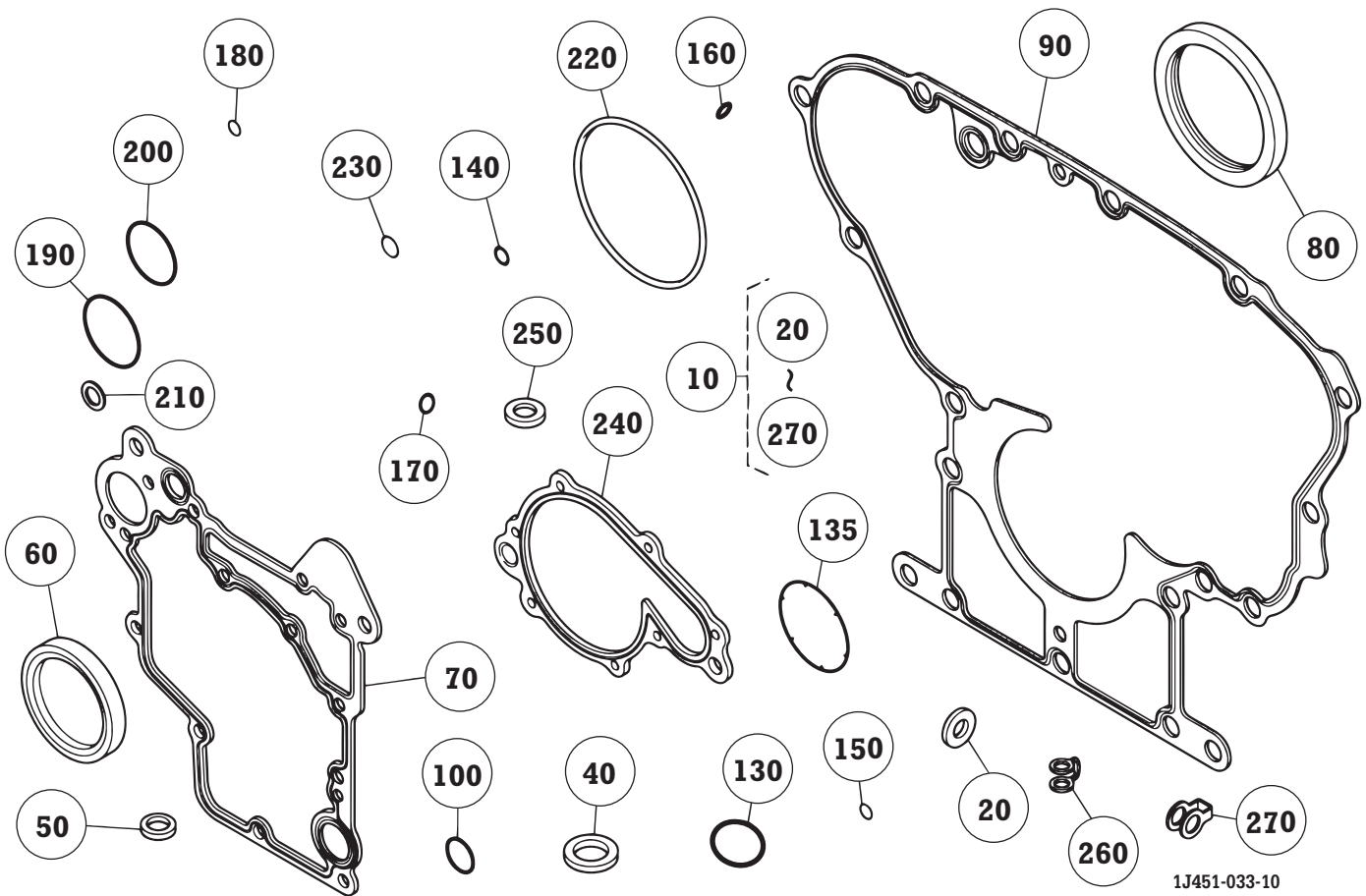
ITEM	QTY.	PART NUMBER	DESCRIPTION
10	1	097-01253	GASKET, KIT (UPPER)
20	16	097-01255	SEAL, VALVE STEM
30	1	097-01211	WASHER, SEAL
40	1	097-01220	GASKET, INTAKE MANIFOLD
50	1	097-01223	GASKET, EXHAUST MANIFOLD
60	1	097-01185	GASKET, HEAD COVER
70	5	097-01194	GASKET
90	4	097-01196	O-RING
100	4	097-01197	O-RING
110	4	097-01135	PACKING
120	1	097-01214	GASKET
130	1		GASKET, WATER FLANGE
140	1	097-00489	GASKET, MUFFLER
150	1		GASKET
160	1	097-01239	GASKET
170	1	097-01248	GASKET
180	1	097-01013	GASKET, OIL PIPE TC
210	1		GASKET (EGR VALVE)
220	2	097-01229	GASKET (EGR COOLER)
230	1	097-01231	GASKET
260	4	097-01182	SEAL, INJECTION PIPE
270	4	097-01200	SEAL, GLOW PLUG
280	4	097-01183	SEAL (INJECTOR)
290	1		GASKET (MUFFLER)
300	2	097-01221	GASKET (INLET FLANGE)
310	1	097-00130	O-RING
320	1	097-00073	PACKING
330	1	097-01208	PACKING
340	1	097-01194	GASKET (FUEL)



Bright Forklift

BD3-7570

LOWER GASKET KIT [OPTION] (592000)



1J451-033-10



Bright Forklift

BD3-7570

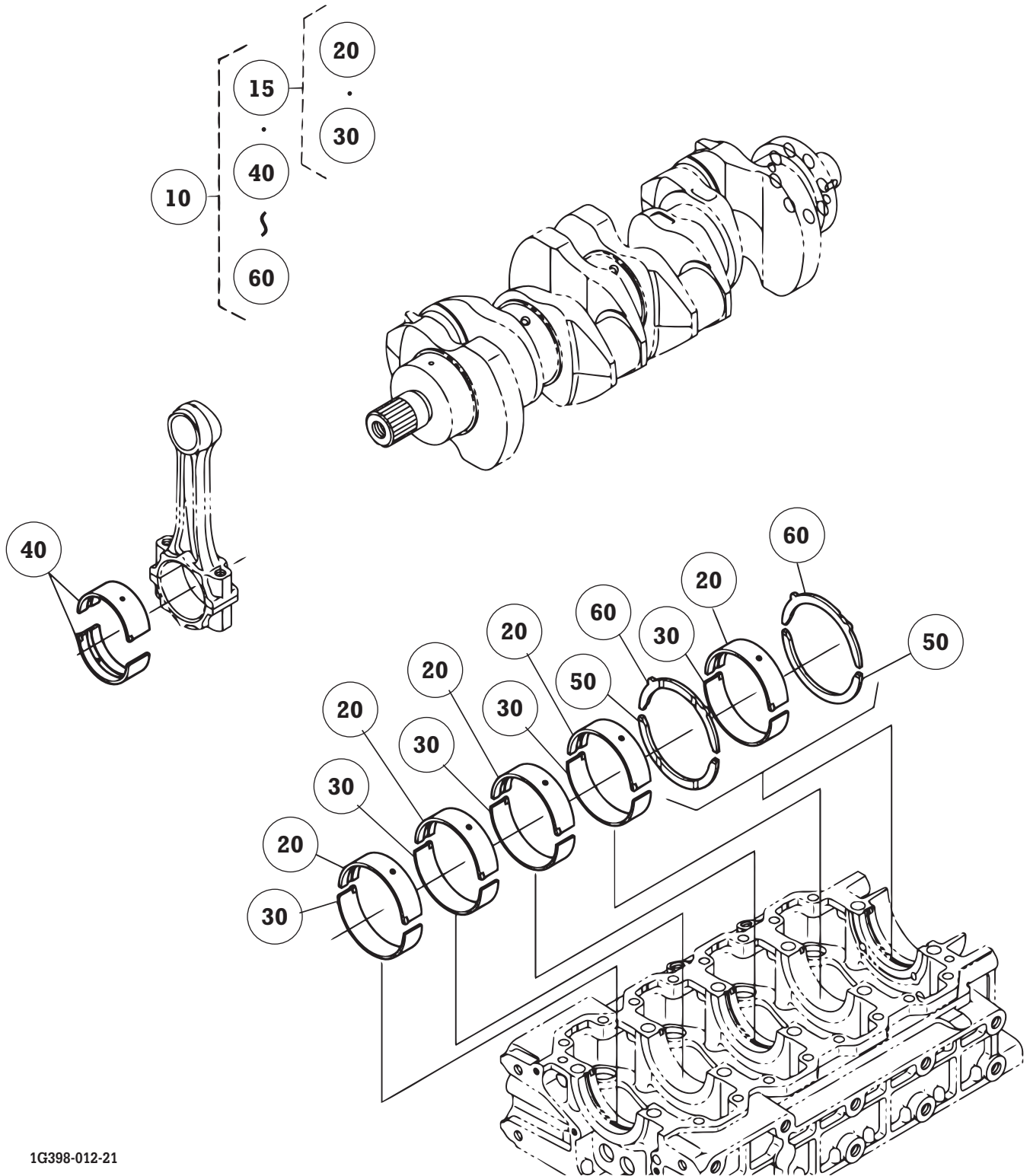
LOWER GASKET KIT [OPTION] (592000)

ITEM	QTY.	PART NUMBER	DESCRIPTION
10	1	097-01254	GASKET, KIT (LOWER)
20	1	097-01208	PACKING
40	2		PACKING
50	1	430-00215	PACKING
60	1	097-01273	SEAL, OIL
70	1	097-01272	GASKET (FRONT COVER)
80	1	097-01274	SEAL, OIL
90	1	097-01271	GASKET, HOUSING
100	1		O-RING
130	2	097-00130	O-RING
135	1	097-07114	O-RING, 73.5 X 3.1
140	1		O-RING
150	2		O-RING
160	1	097-01210	O-RING
170	1	097-01205	O-RING
180	1		O-RING
190	1		O-RING
200	1	097-01190	GASKET (PUMP)
210	2	097-01188	GASKET
220	1		GASKET, INJECTION PU.
230	1		O-RING
240	1	097-01217	GASKET, WATER PUMP
250	1		GASKET
260	1	097-01248	GASKET
270	1		GASKET (FUEL)

Bright Forklift

BD3-7570

METAL KIT [OPTION] (593000)



1G398-012-21



Bright Forklift

BD3-7570

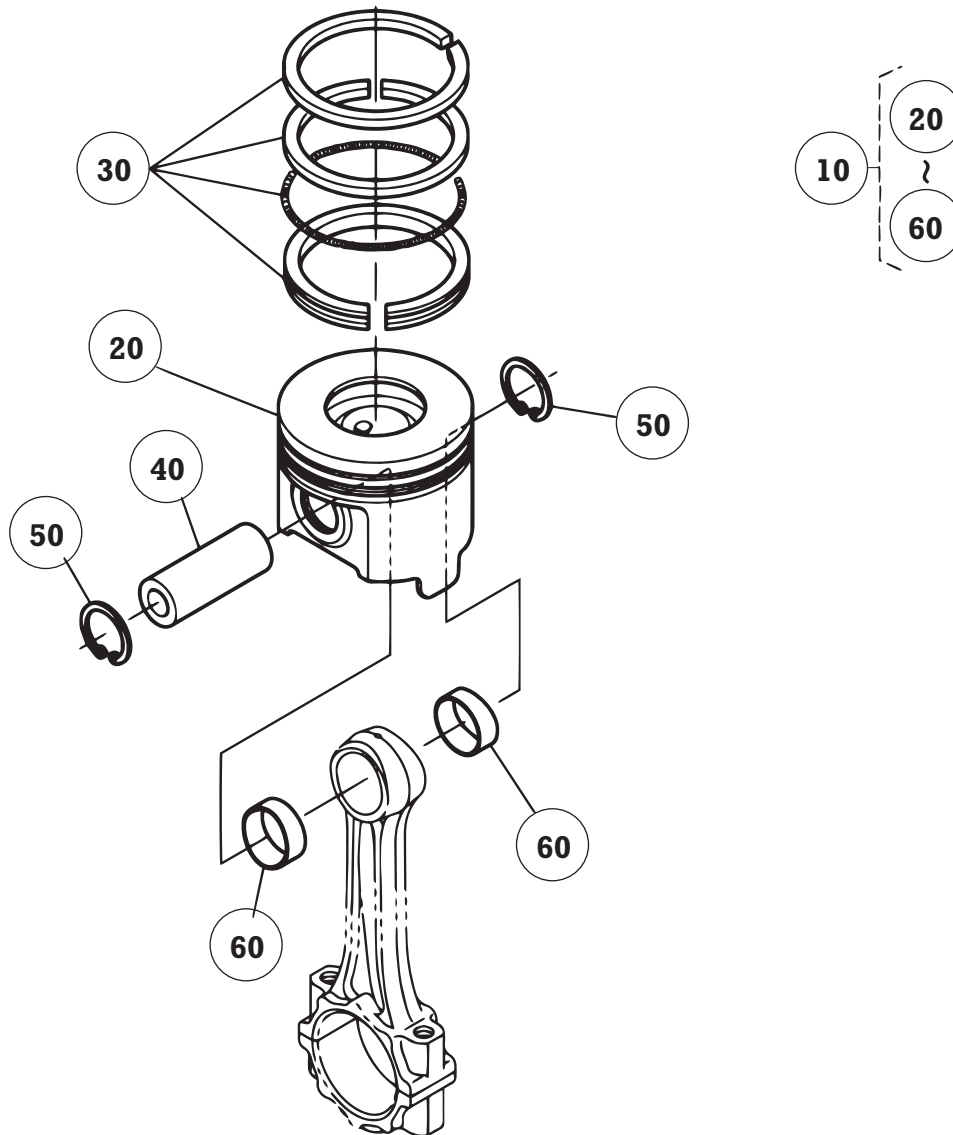
METAL KIT [OPTION] (593000)

ITEM	QTY.	PART NUMBER	DESCRIPTION
10	1		KIT METAL, ENGINE, STD
	1		KIT METAL, ENGINE, -0.20MM
	1		KIT METAL, ENGINE, -0.40MM
15	5		KIT METAL, CRANKSHAFT, -0.2MM/SET
	5		KIT METAL, CRANKSHAFT, -0.4MM/SET
	5		KIT METAL, CRANKSHAFT, STD/SET
20	5		BLANK, -0.2MM
	5		BLANK, -0.4MM
	5		BLANK, STD
30	5		BLANK, STD
	5		BLANK, -0.2MM
	5		BLANK, -0.4MM
40	4		METAL, CRANK PIN, -0.4MM/RED/SET
	4		METAL, CRANK PIN, STD/SET
	4		METAL, CRANK PIN, -0.2MM/GREEN/SET
50	2		METAL, SIDE, STD
	2		METAL, SIDE, +0.20MM
	2		METAL, SIDE, +0.40MM
60	2		METAL, SIDE, +0.20MM
	2		METAL, SIDE, +0.40MM
	2		METAL, SIDE, STD

Bright Forklift

BD3-7570

PISTON KIT [OPTION] (594000)



1J451-034-10



Bright Forklift

BD3-7570

PISTON KIT [OPTION] (594000)

ITEM	QTY.	PART NUMBER	DESCRIPTION
10	4		PISTON, KIT (STD), STD
	4		PISTON, KIT (05), +0.50MM
20	4		PISTON (05), +0.50MM
	4		PISTON, STD
30	4		ASSEMBLY PISTON RING, STD
	4		ASSEMBLY PISTON RING, +0.5MM
40	4		PIN, PISTON
50	8		CIR-CLIP, INTERNAL
60	8		BUSH, PISTON PIN

