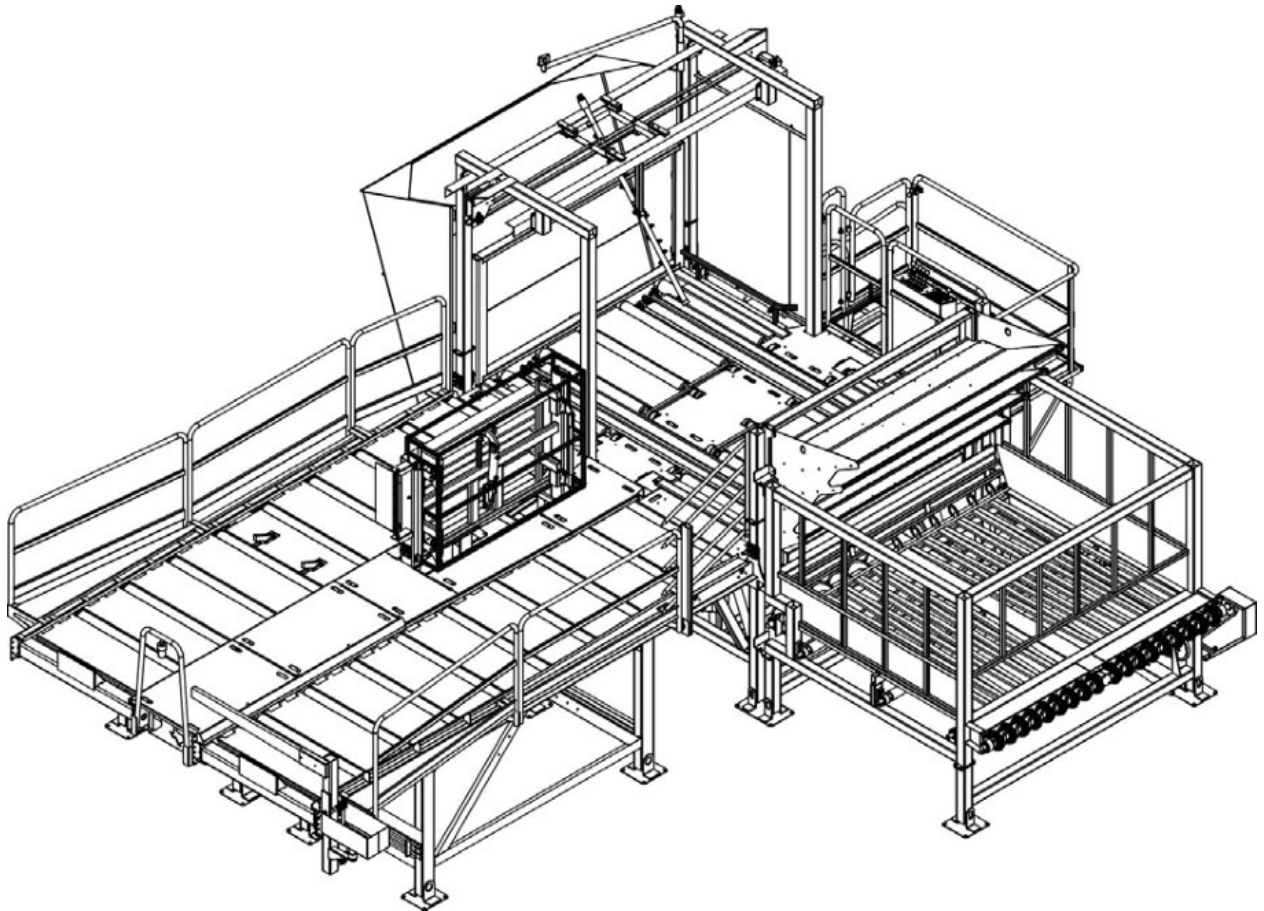




Cage Unloading System



Parts Catalog

Bright Coop Inc.
803 W. Seale St.
Nacogdoches, TX 75964
Phone (936) 564-8378
Fax (936) 564-3281
Info@brightcoop.com

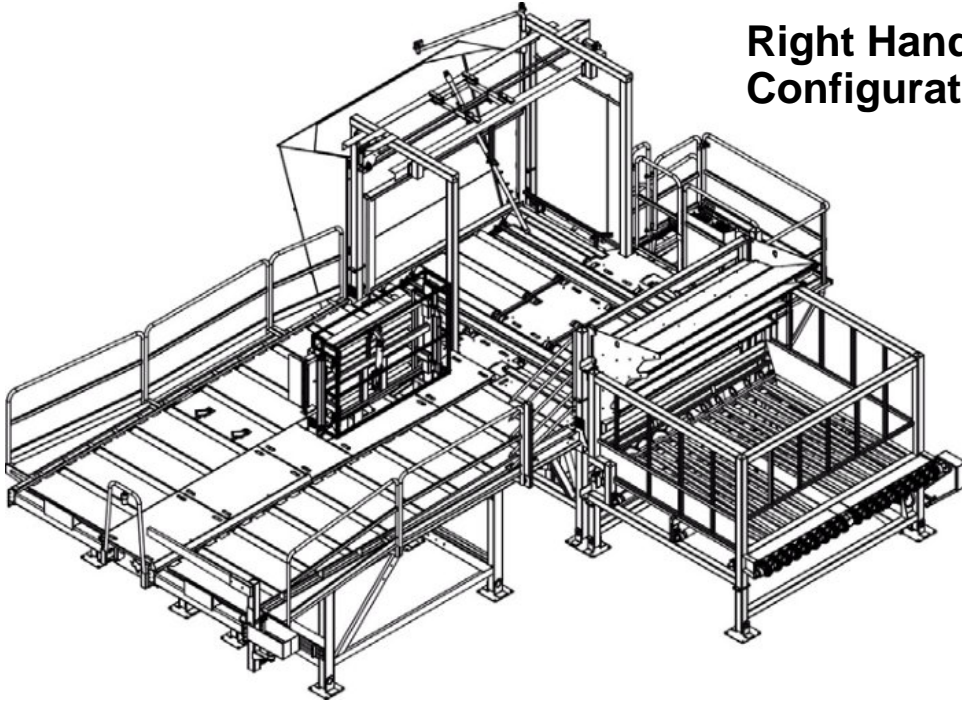
Issued: 01/12/2016
Revised: 05/01/2016
BCI#: 091-24335



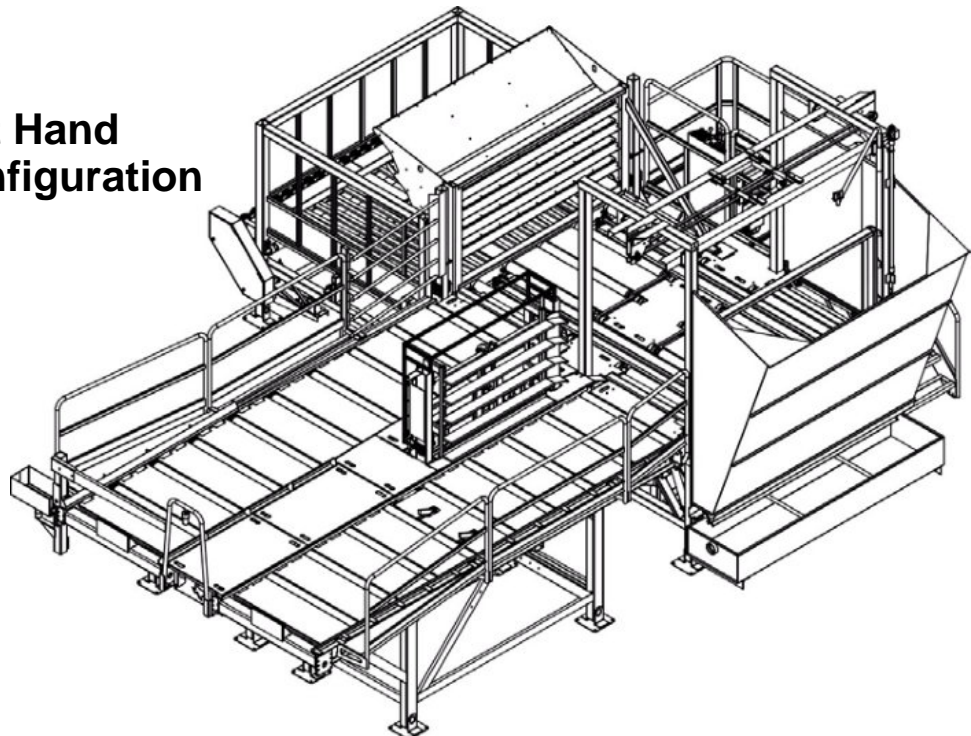
Cage Unloading System

CONFIGURATION

**Right Hand
Configuration**



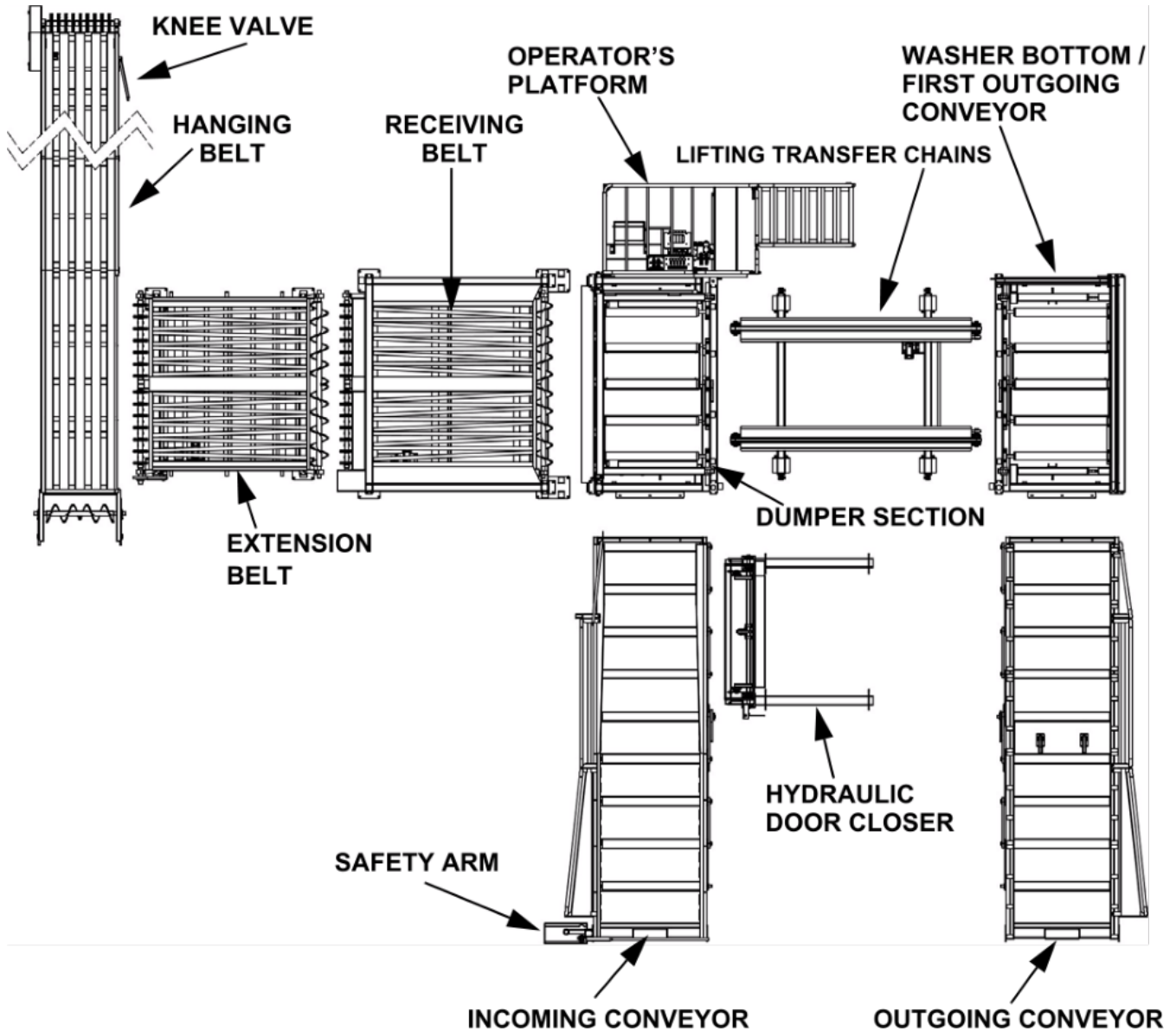
**Left Hand
Configuration**





Cage Unloading System

Quick Reference
(LEFT Hand Side Unloading System Shown)





Cage Unloading System

Company: _____

Location: _____

Date Installed: _____

_____ **Hand Configuration**

Door Closer: _____

Washer: _____

Belting

800 Series Intralox: yes

Hanging Belt _____

Receiving Belt _____

Extension Belt _____

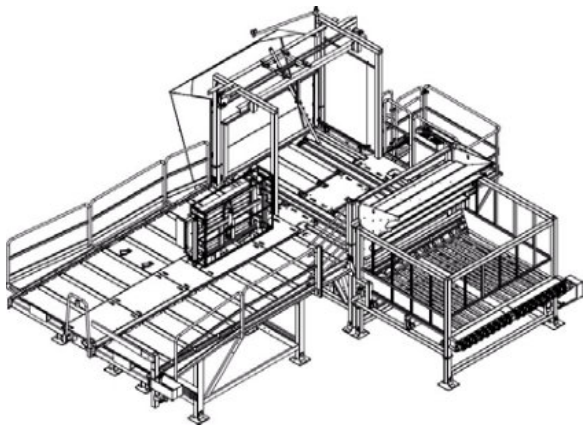
Hydraulic Power Unit: _____ hp with _____ gpm pump



Cage Unloading System

Tab Indexes

Parts Catalog



1	SECTION 1 INCOMING CONVEYOR
2	SECTION 2 DUMPER SECTION
3	SECTION 3 TRANSFER CHAINS
4	SECTION 4 WASHER SECTION
5	SECTION 5 OUTGOING CONVEYOR
6	SECTION 6 RECEIVING & HANGING BELTS
7	SECTION 7 OPERATOR PLATFORM
8	SECTION 8 DOOR CLOSER
9	SECTION 9 LAY INS
10	SECTION 10 HYDRAULIC COMPONENTS
11	SECTION 11 SAFETY FENCING & PLACARDS
12	SECTION 12 HYDRAULIC POWER UNIT

Bright Coop Inc.
803 W. Seale St.
Nacogdoches, TX 75964
Phone (936) 564-8378
Fax (936) 564-3281
Info@brightcoop.com



Cage Unloading System



Cage Unloading System

Section 1

Incoming Conveyor

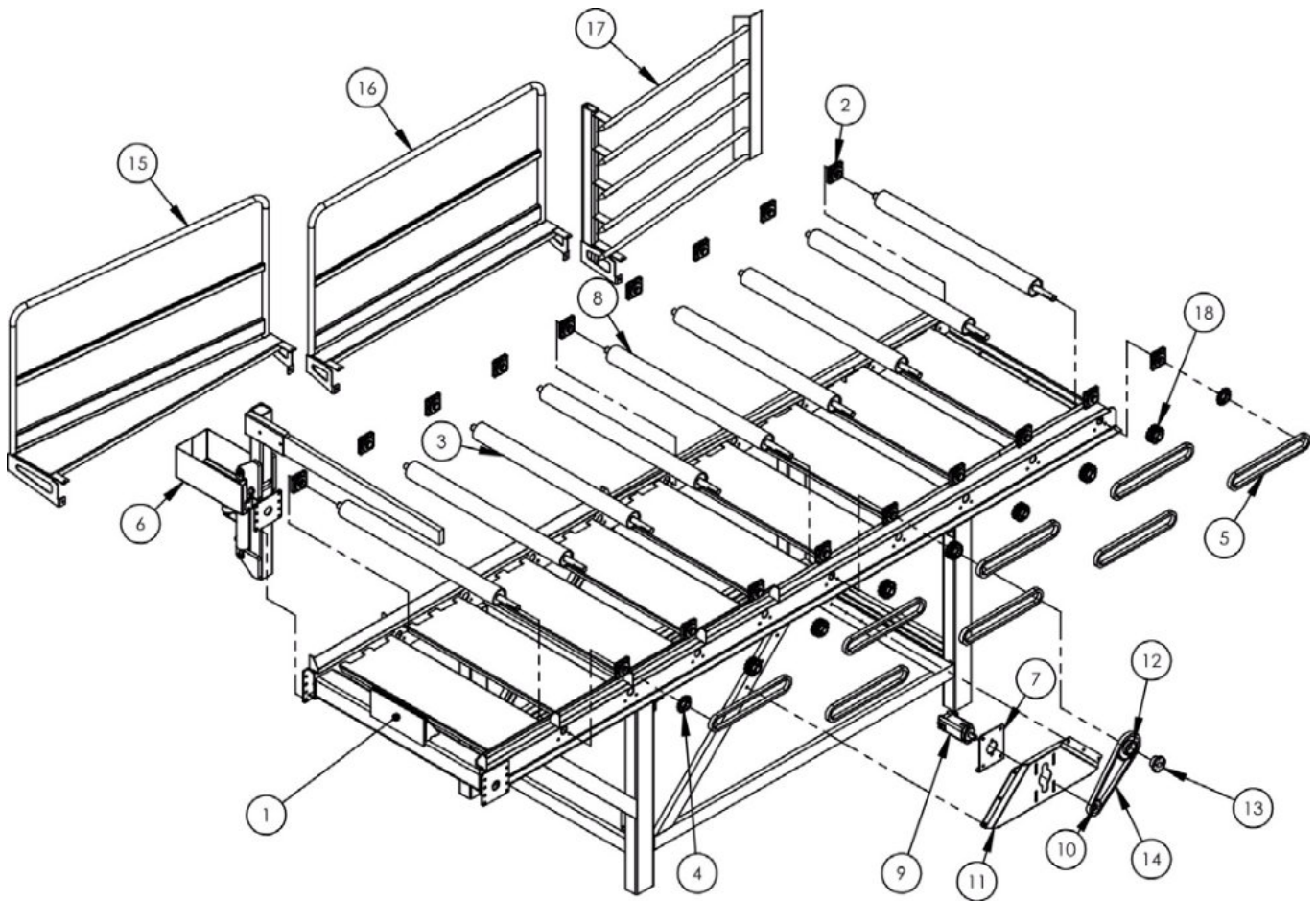
Contents

20' Incoming Conveyor -----	2
30' Incoming Conveyor -----	4
20' Intermediate Incoming Section -----	6
Safety Arm -----	8



Cage Unloading System

INCOMING 20' CONVEYOR ASSEMBLY (091-21100)



LEFT HAND SIDE SYSTEM SHOWN



Cage Unloading System

INCOMING 20' CONVEYOR ASSEMBLY (091-21100)

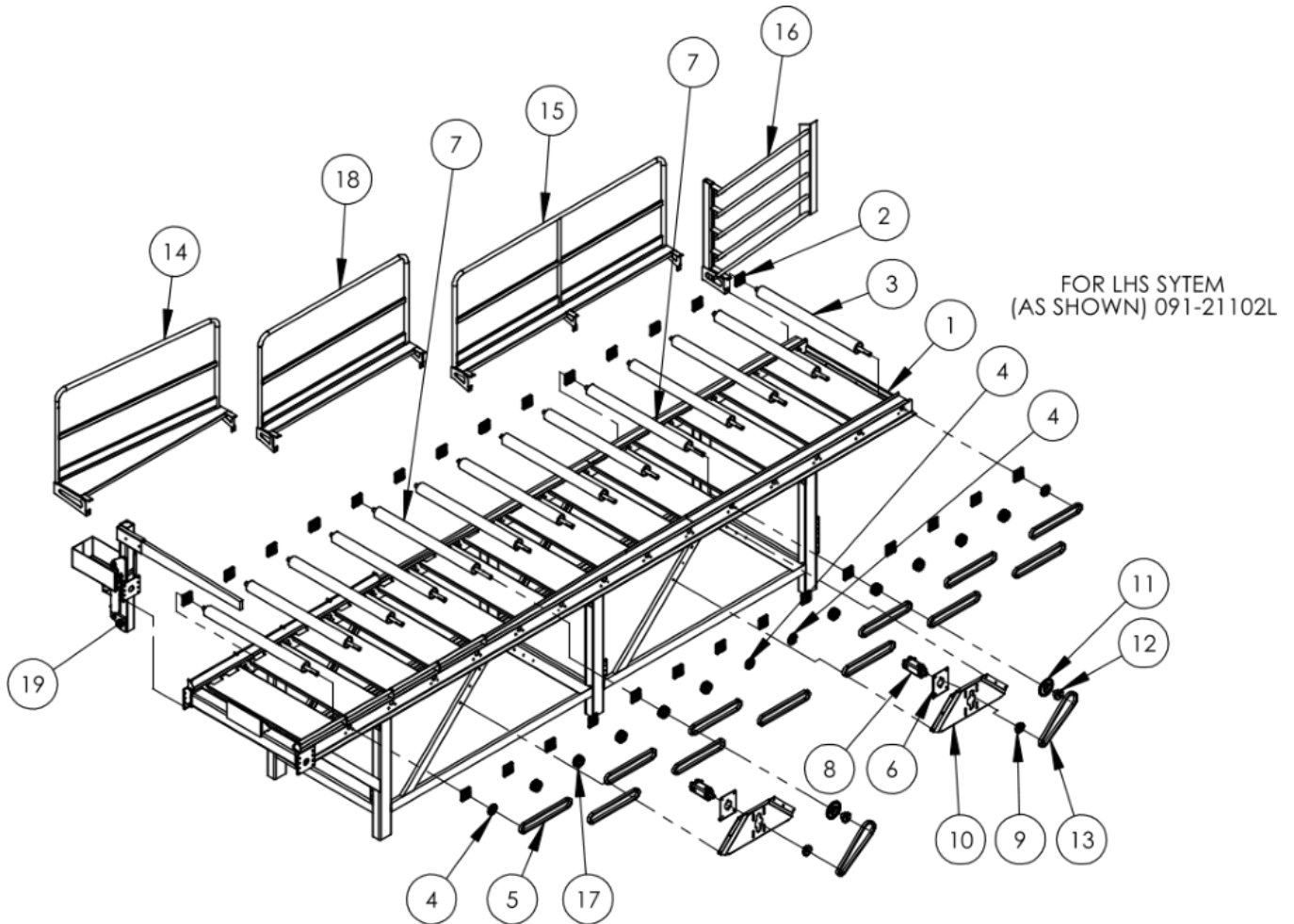
ITEM	PART NUMBER	DESCRIPTION	QTY	MODEL Or SERIAL #
1	091-21115	INCOMING CONVEYOR FRAME WELDMENT (STD.)	1	
2	030-00018	FLANGE BEARING 1-7/16"	18	
3	091-00308	CONVEYOR DRIVEN ROLLER	8	
4	690-00005	SPROCKET 60BS15 1-7/16" BORE	2	
5	110-00001	ROLLER CHAIN #60 (8 foot long)	AS REQUIRED	
	110-00002	MASTER LINK FOR #60 CHAIN	1	
	110-00003	HALF LINK FOR #60 CHAIN	1	
6	091-10130L	* SAFETY ARM ASSEMBLY (LEFT HAND SIDE SYSTEM)	1	
	091-10130R	* SAFETY ARM ASSEMBLY (RIGHT HAND SIDE SYSTEM)	1	
7	091-20558	HYDRAULIC MOTOR SUPPORT	1	
8	091-00307	DRIVE ROLLER (CONVEYOR)	1	
9	450-00004	HYDRAULIC MOTOR	1	
10	690-00044	SPROCKET 60BS15 1-1/4" BORE	1	
11	091-21124	HYDRAULIC MOTOR PLATE	1	
12	690-00014	SPROCKET 60SK28	1	
13	690-00022	SK 1-71/6" BUSHING	1	
14	110-00001	ROLLER CHAIN #60	AS REQUIRED	
	110-00002	MASTER LINK FOR #60 CHAIN	1	
	110-00003	HALF LINK FOR #60 CHAIN	1	
15	091-21828.1	CONVEYOR HANDRAIL (FLARE) (LEFT HAND SIDE SYSTEM) (AS SHOWN)	1	
	091-21828.2	CONVEYOR HANDRAIL (FLARE) (RIGHT HAND SIDE SYSTEM)	1	
16	091-21829	CONVEYOR HANDRAIL (LONG)	1	
17	091-21602L	INCOMING PIPE DOOR CLOSER, FIVE HIGH CAGE (LEFT HAND SIDE SYSTEM)	1	
	091-21602R	INCOMING PIPE DOOR CLOSER, FIVE HIGH CAGE (RIGHT HAND SIDE SYSTEM)	1	
	091-21609L	INCOMING PIPE DOOR CLOSER FOR FOUR HIGH CAGE (LEFT HAND SIDE SYSTEM)	1	
	091-21609R	INCOMING PIPE DOOR CLOSER FOR FOUR HIGH CAGE (RIGHT HAND SIDE SYSTEM)	1	
18	690-00063	DUAL SPROCKET 60BS15 1-7/16" BORE	7	

* Parts Detail In This Section page 8



Cage Unloading System

INCOMING 30' CONVEYOR ASSEMBLY STD (091-21102)





Cage Unloading System

INCOMING 30' CONVEYOR ASSEMBLY STD (091-21102)

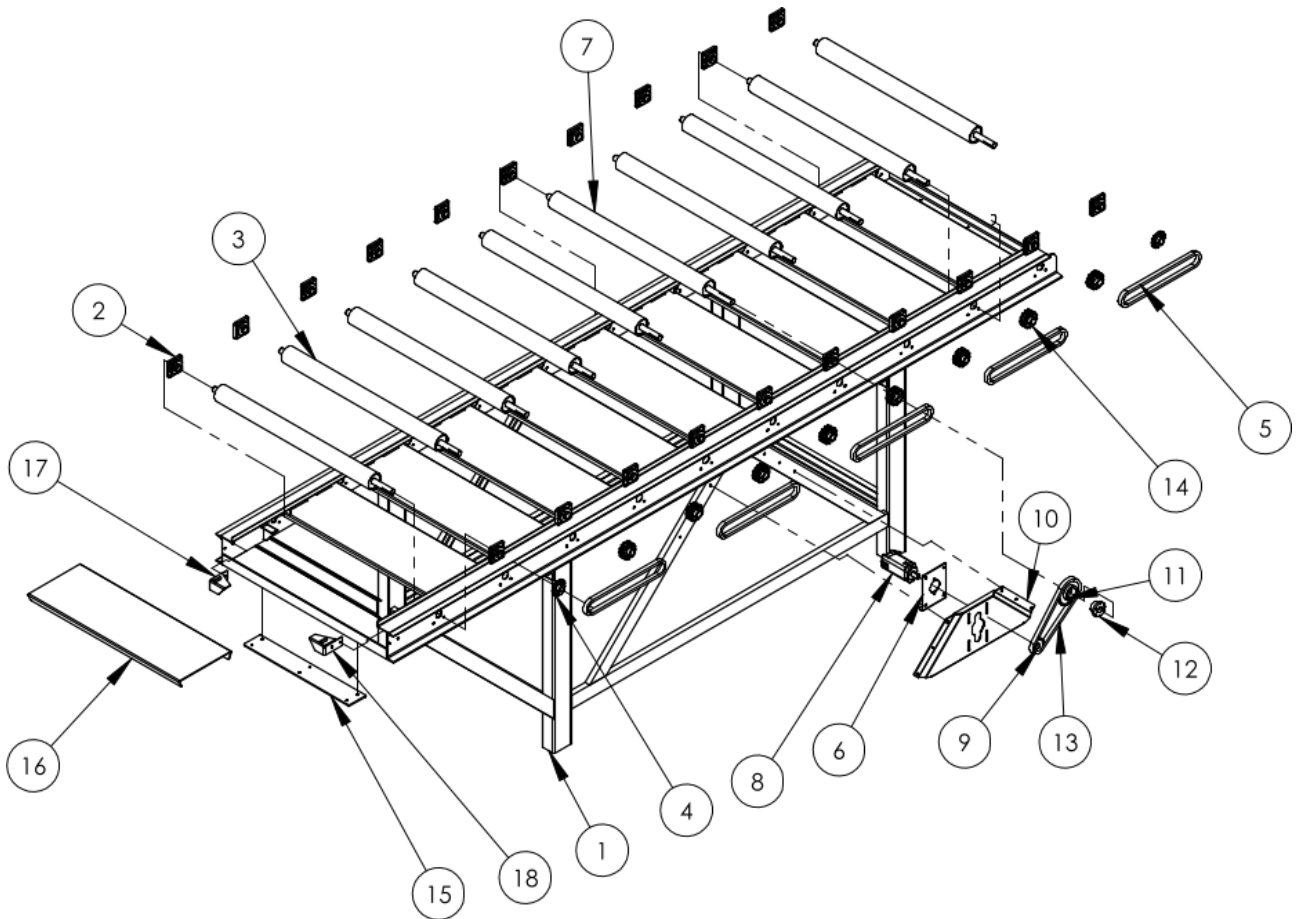
ITEM	PART NUMBER	DESCRIPTION	QTY	MODEL Or SERIAL #
1	091-21116	30' INCOMING CONVEYOR FRAME WELDMENT (STD.)	1	
2	030-00018	FLANGE BEARING 1-7/16"	28	
3	091-00308	OUTGOING CONVEYOR DRIVEN ROLLER	12	
4	690-00005	SPROCKET 60BS15 1-7/16" BORE	4	
5	110-00001	ROLLER CHAIN #60	AS REQUIRED	
	110-00002	MASTER LINK FOR #60 CHAIN	1	
	110-00003	HALF LINK FOR #60 CHAIN	1	
6	091-20558	HYDRAULIC MOTOR SUPPORT	2	
7	091-00307	DRIVE ROLLER (CONVEYOR)	2	
8	450-00004	HYDRAULIC MOTOR	2	
9	690-00044	SPROCKET 60BS15 1-1/4" BORE	2	
10	091-21124	HYDRAULIC MOTOR PLATE	2	
11	690-00014	SPROCKET 60SK28	2	
12	690-00022	QD BUSHING (SK 1-7/16")	2	
13	110-00001	ROLLER CHAIN #60	AS REQUIRED	
	110-00002	MASTER LINK FOR #60 CHAIN	1	
	100-00003	HALF LINK FOR #60 CHAIN	1	
14	091-21828.1	CONVEYOR HANDRAIL (FLARE) (LEFT HAND SIDE SYSTEM)	1	
	091-21828.2	CONVEYOR HANDRAIL (FLARE) (RIGHT HAND SIDE SYSTEM)	1	
15	091-21844	HANDRAIL FOR EXTENDED CONVEYORS	1	
16	091-21602L	INCOMING PIPE DOOR CLOSER FOR FIVE HIGH CAGE (LEFT HAND SIDE SYSTEM)	1	
	091-21602R	INCOMING PIPE DOOR CLOSER FOR FIVE HIGH CAGE (RIGHT HAND SIDE SYSTEM)	1	
	091-21609L	INCOMING PIPE DOOR CLOSER FOR FOUR HIGH CAGE (LEFT HAND SIDE SYSTEM)	1	
	091-21609R	INCOMING PIPE DOOR CLOSER FOR FOUR HIGH CAGE (RIGHT HAND SIDE SYSTEM)	1	
17	690-00063	DUAL SPROCKET 60BS15 1-7/16" BORE	10	
18	091-21829	CONVEYOR HANDRAIL (LONG)	1	
19	091-10130L	* SAFETY ARM ASSEMBLY (LEFT HAND SIDE)	1	
	091-10130R	* SAFETY ARM ASSEMBLY (RIGHT HAND SIDE)	1	

* Parts Detail In This Section Page 8



Cage Unloading System

20' INTERMEDIATE INCOMING SECTION (091-21103)





Cage Unloading System

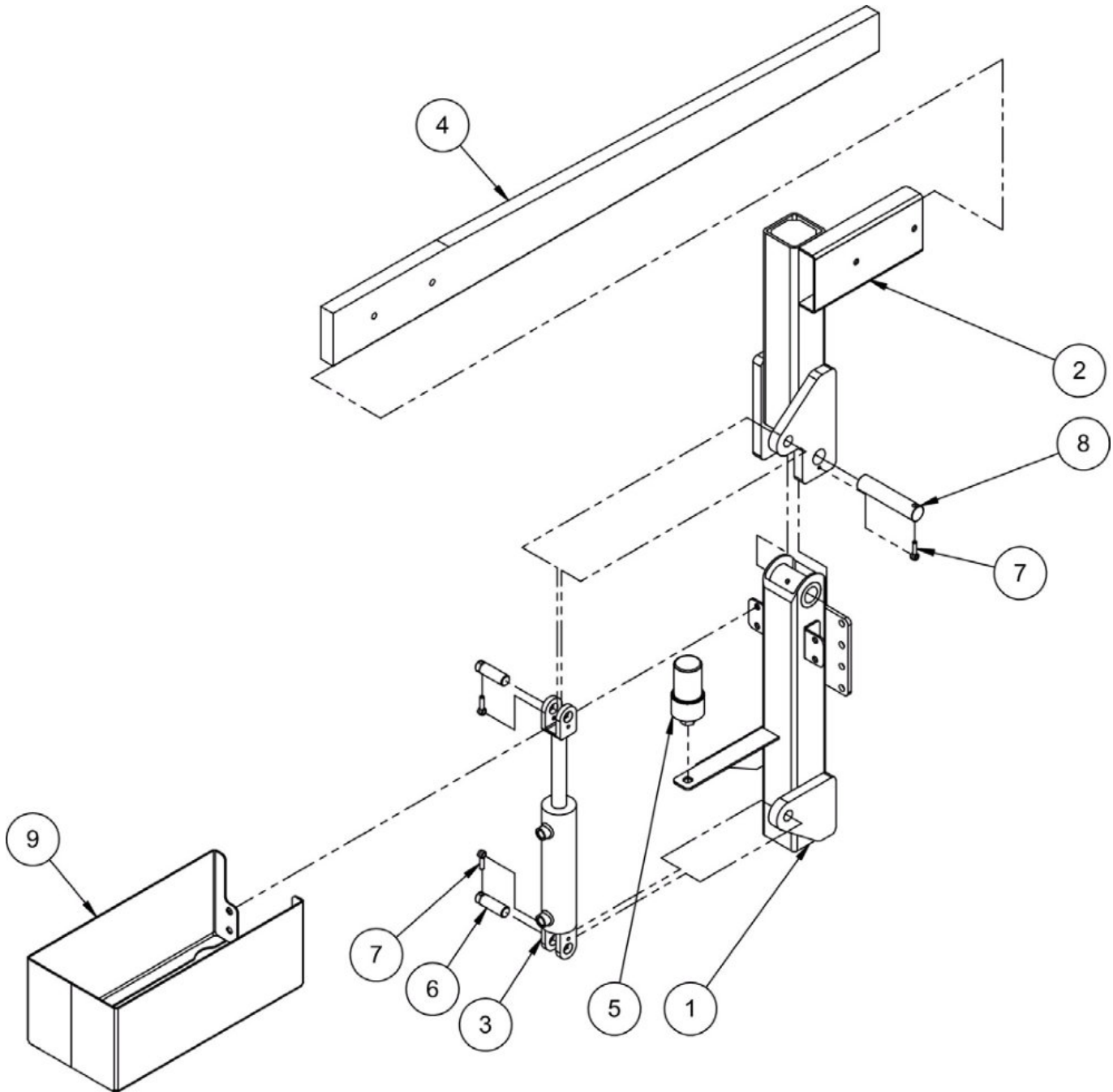
20' INTERMEDIATE INCOMING SECTION (091-21103)

ITEM	PART NUMBER	DESCRIPTION	QTY	MODEL Or SERIAL #
1	091-21117	INCOMING 20' INTERMEDIATE SECTION	1	
2	030-00018	FLANGE BEARING 1-7/16"	20	
3	091-00308	OUTGOING CONVEYOR DRIVEN ROLLER	9	
4	690-00005	SPROCKET 60BS15 1-7/16" BORE	2	
5	110-00001	ROLLER CHAIN #60	AS REQUIRED	
	110-00002	MASTER LINKS FOR #60 CHAIN	1	
	100-00003	HALF LINK FOR #60 CHAIN	1	
6	091-20558	HYDRAULIC MOTOR SUPPORT	1	
7	091-00307	DRIVE ROLLER (CONVEYOR)	1	
8	450-00004	HYDRAULIC MOTOR	1	
9	690-00044	SPROCKET 60BS15 1-1/4" BORE	1	
10	091-21124	HYDRAULIC MOTOR PLATE WITH CAP	1	
11	690-00014	SPROCKET 60SK28	1	
12	690-00022	QD BUSHING (SK 1-7/16")	1	
13	110-00001	ROLLER CHAIN #60	AS REQUIRED	
	110-00002	MASTER LINK FOR #60 CHAIN	1	
	110-00003	HALF LINK FOR #60 CHAIN	1	
14	690-00063	DUAL SPROCKET 60BS15 1-7/16" BORE	8	
15	091-20838	CONNECTION TONGUE FOR CONVEYORS	1	
16	091-20842	CONNECTOR LAY IN FOR DOUBLE CONVEYORS	1	
17	091-21846R	CONNECTOR LAY IN SUPPORT	1	
18	091-21846L	CONNECTOR LAY IN SUPPORT	1	



Cage Unloading System

SAFETY ARM ASSEMBLY (091-10130)





Cage Unloading System

SAFETY ARM ASSEMBLY (091-10130)

ITEM	PART NUMBER	DESCRIPTION	QTY	MODEL Or SERIAL #
1	091-21803L	LOWER ARM WELDMENT (LEFT HAND SIDE SYSTEM) (AS SHOWN)	1	
	091-21803R	LOWER ARM WELDMENT (RIGHT HAND SIDE SYSTEM)	1	
2	010-00086L	UPPER ARM ASSEMBLY (LEFT HAND SIDE SYSTEM) (AS SHOWN)	1	
	010-00086R	UPPER ARM ASSEMBLY (RIGHT HAND SIDE SYSTEM)	1	
3	170-00002	DOOR CLOSER LIFT CYLINDER	1	
	630-00022	SEAL KIT FOR CYLINDER #170-00002	1	
4	010-00085	SAFETY ARM	1	
5	190-00406	STROBE LIGHT	2	
6	098-01483	CYLINDER PIN	2	
7	098-01482	ROD END 3/8"	3	
8	091-20651	SAFETY ARM PIVOT PIN	1	
9	091-21817	SAFETY ARM GUARD	1	
10	190-00407	WARNING HORN (NOT SHOWN)	1	



Cage Unloading System



Cage Unloading System

Section 2

Dumper Section

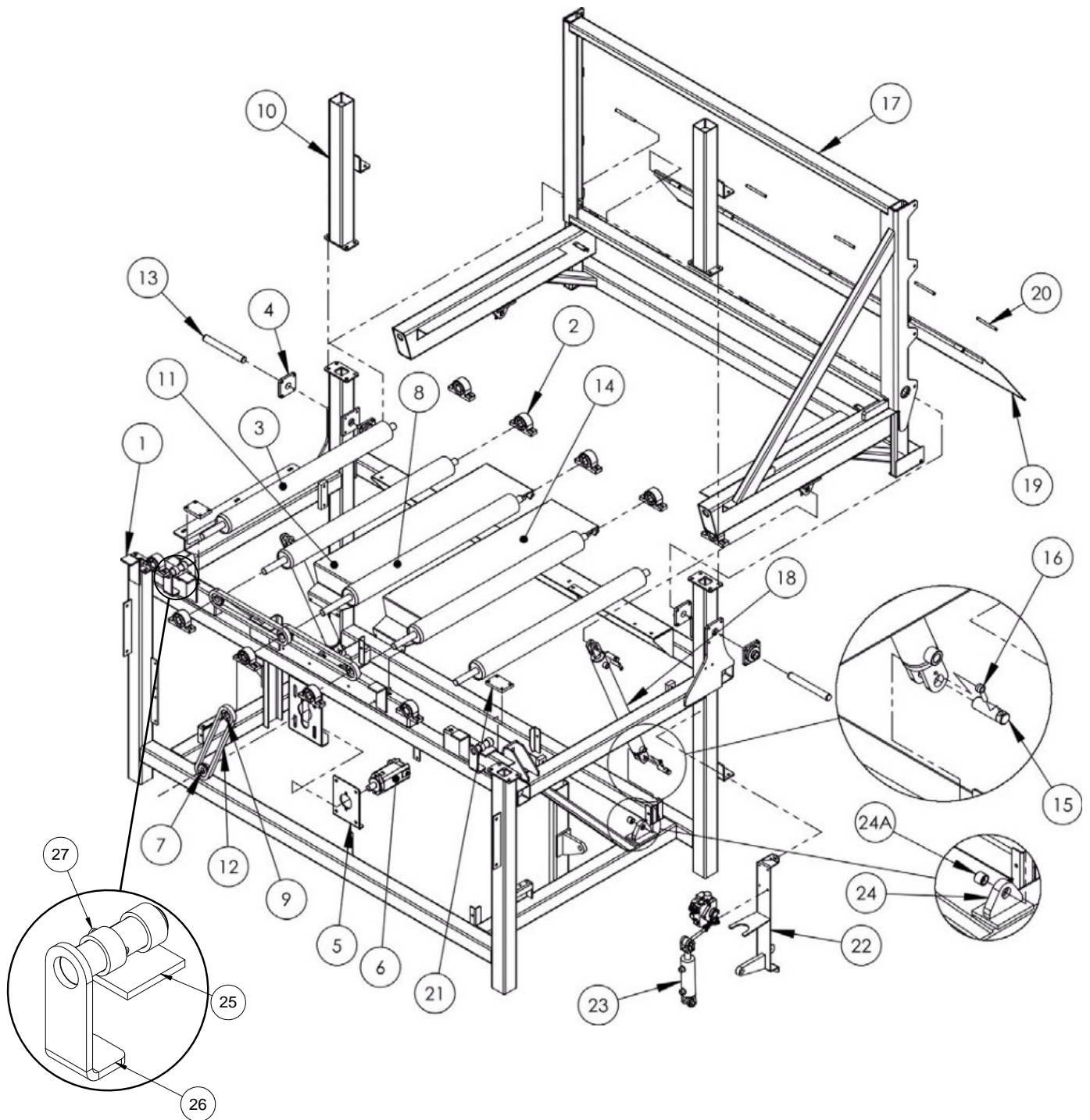
Contents

Dumper Assembly	2
Dumper Slide Assembly For 5 High Cage	4
Dumper Slide Assembly For 4 High Cage	6
Hydraulic Slides for 60° Cradle (091-21248)	8



Cage Unloading System

DUMPER ASSEMBLY (STD.) (091-21201)





Cage Unloading System

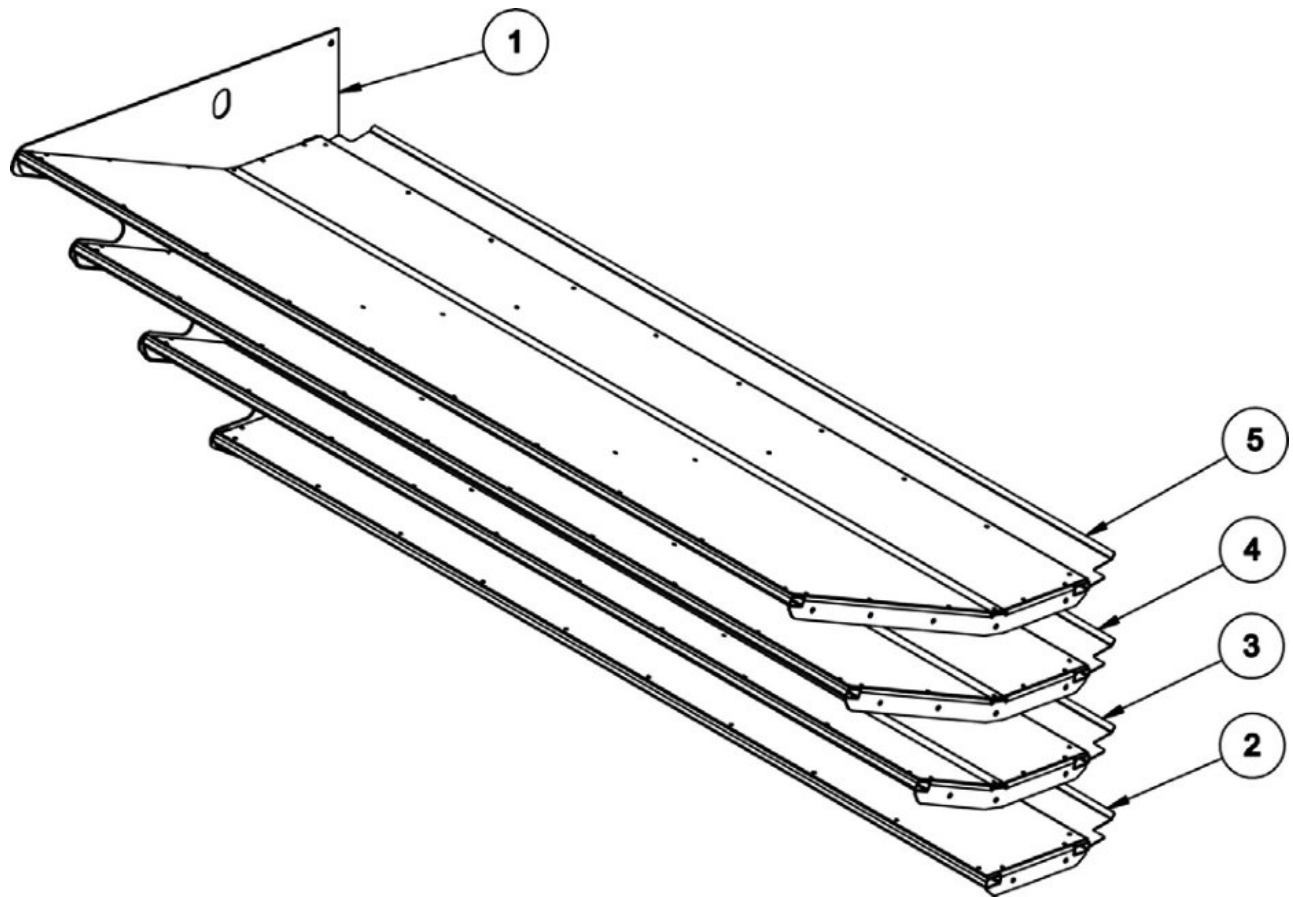
DUMPER ASSEMBLY (STD.) (091-21201)

ITEM	PART NUMBER	DESCRIPTION	QTY	MODEL Or SERIAL #
1	091-21213SL	LEFT HAND SIDE MAIN FRAME WELDMENT (STD.)	1	
	091-21213SR	RIGHT HAND SIDE MAIN FRAME	1	
2	030-00021	PILLOW BLOCK 1-7/16"	10	
3	091-00309	DRIVEN ROLLER (DUMPER)	4	
4	030-00018	FLANGE BEARING 1-7/16"	4	
5	091-20558	HYDRAULIC MOTOR SUPPORT	1	
6	450-00004	HYDRAULIC MOTOR	1	
7	690-00003	SPROCKET 60BS13 1-1/4" BORE	1	
8	091-00304	DUMPER DRIVE ROLLER	1	
9	690-00004	SPROCKET 60BS13 1-7/16" BORE	5	
10	091-21222	TUBING EXTENSION WELDMENT	2	
11	091-20531	DUMPER LAY-IN LONG	1	
12	110-00001	ROLLER CHAIN #60	AS REQUIRED	
	110-00002	MASTER LINK FOR #60 CHAIN	1	
	100-00003	HALF LINK FOR #60 CHAIN	1	
13	670-00018	DUMP HINGE PIN	2	
14	091-20530	DUMPER LAY-IN SHORT	1	
15	098-01483	CYLINDER PIN	4	
16	098-01482	ROD END 3/8"	4	
17	091-21220L	CRADLE WELDMENT (LEFT HAND SIDE SYSTEM)	1	
	091-21220R	CRADLE WELDMENT (RIGHT HAND SIDE SYSTEM)	1	
18	091-20085D	60° CRADLE TILT CYLINDER	2	
	630-00021	SEAL KIT FOR CYLINDER #091-20085 D OR W	1	
19	091-21237	HINGED SLIDE	1	
20	091-20203	HINGE PIN	5	
21	091-20248	CRADLE BUMPER	2	
22	091-00451L	ANTISHAKE VALVE BRACKET (LEFT HAND SIDE SYSTEM)	1	
	091-00451R	ANTISHAKE VALVE BRACKET (RIGHT HAND SIDE SYSTEM)	1	
23	091-23121	ANTISHAKE SYSTEM (SEE SECTION 10-22 FOR DETAILS)	1	
24	091-21221	CYLINDER ANCHOR WELDMENT (60°) (INCLUDES ITEM 24A)	-	
24A	091-20066	BUSHING	-	
25	091-21807	CRADLE LOCK BASE WELDMENT	1	
26	091-21808	CRADLE LOCK PIN WELDMENT	1	
27	REF	ROLL PIN	1	



Cage Unloading System

**DUMPER SLIDE ASSEMBLY (091-21246)
FOR 5 HIGH CAGE ONLY
6 / 5 HIGHT CAGE COMBINATION**





Cage Unloading System

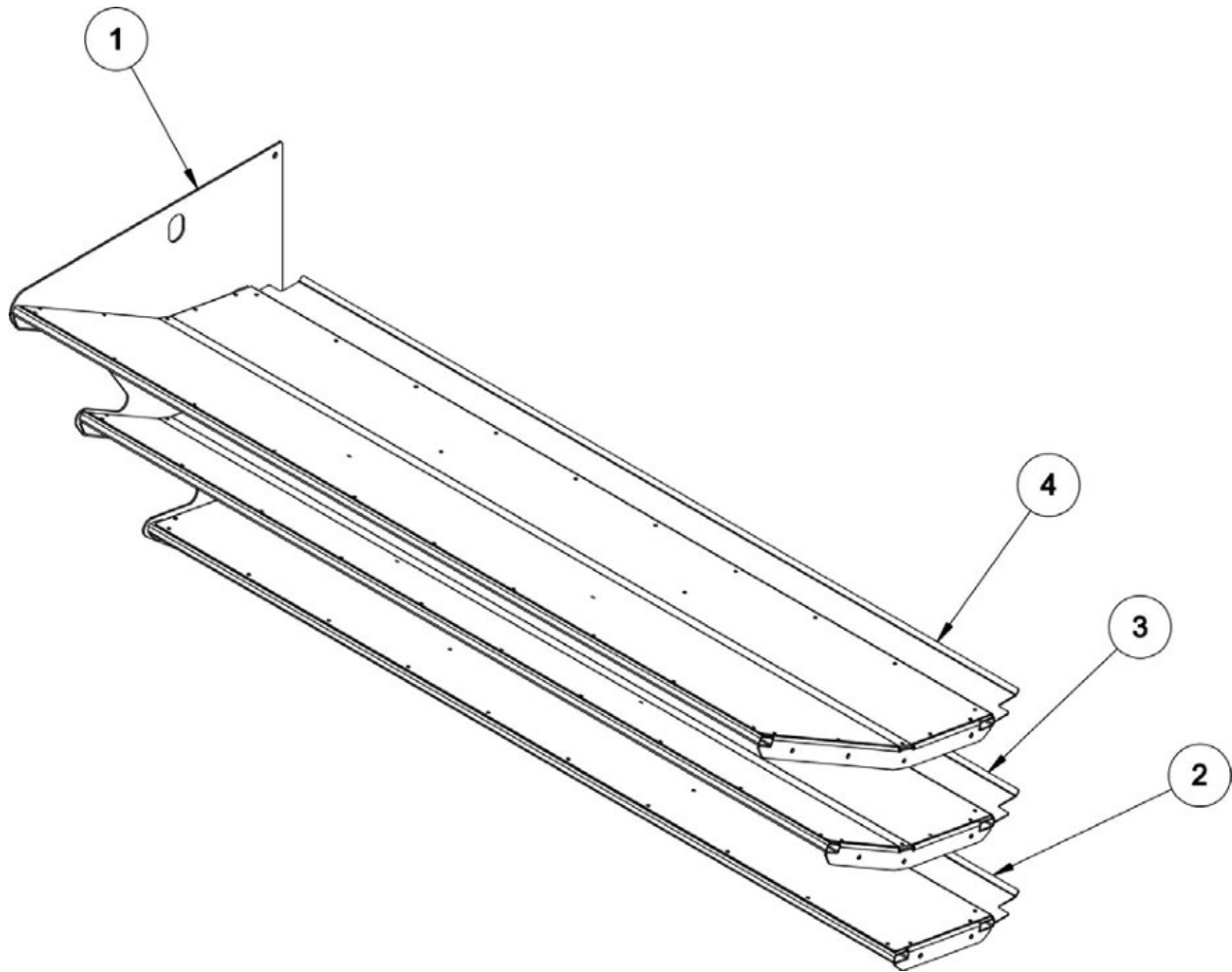
DUMPER SLIDE ASSEMBLY (091-21246) FOR 5 HIGH CAGE

ITEM	PART NUMBER	DESCRIPTION	QTY	MODEL Or SERIAL #
1	091-20096	SLIDE SIDE PLATE	2	
2	091-21231	SLIDE # 1	1	
3	091-21232	SLIDE # 2	1	
4	091-21233	SLIDE # 3	1	
5	091-21234	SLIDE # 4	1	
	091-21246	COMPLETE SLIDE ASSEMBLY FOR 5 HIGH CAGE	1	



Cage Unloading System

DUMPER SLIDE ASSEMBLY (091-21246 RS) OR (091-21246 RR)
FOR 4 HIGH CAGE ONLY





Cage Unloading System

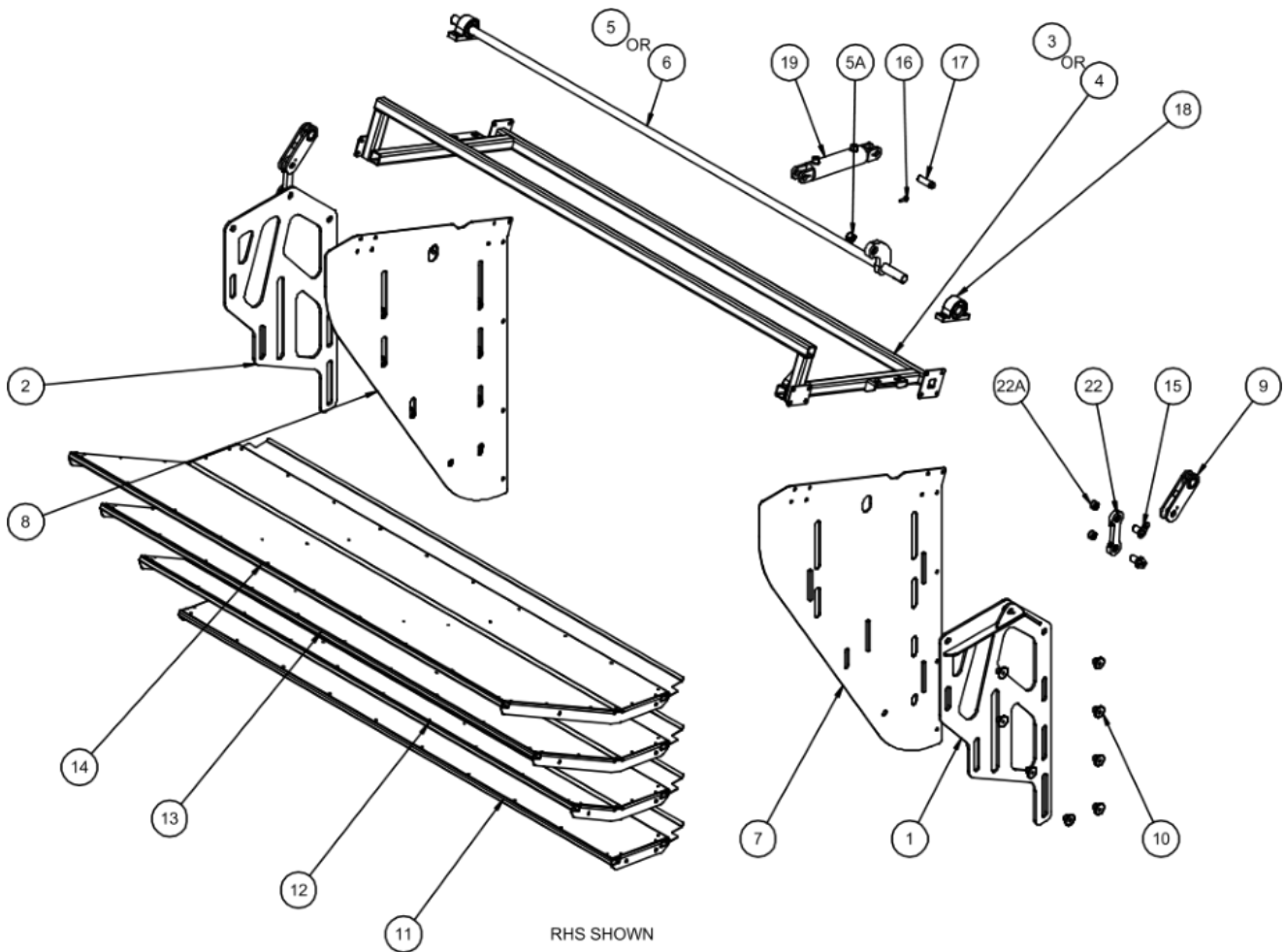
DUMPER SLIDE ASSEMBLY (091-21246 RS) OR (091-21246 RR) FOR 4 HIGH CAGE

ITEM	PART NUMBER	DESCRIPTION	QTY	MODEL Or SERIAL #
1	091-00441	SIDE PLATE FOR 4 HIGH STANDARD DOOR	2	
	091-00442	SIDE PLATE FOR 4 HIGH ROASTER DOOR	2	
2	091-21231	SLIDE #1	1	
3	091-21232	SLIDE #2	1	
4	091-21233	SLIDE #3	1	
	091-21246RS	COMPLETE SLIDE ASSEMBLY FOR 4 HIGH CAGE STANDARD DOOR	1	
	091-21246RR	COMPLETE SLIDE ASSEMBLY FOR 4 HIGH CAGE ROASTER DOOR	1	



Cage Unloading System

HYDRAULIC SLIDES FOR 60° CRADLE (091-21248)





Cage Unloading System

HYDRAULIC SLIDES FOR 60° CRADLE (091-21248)

ITEM	PART NUMBER	DESCRIPTION	QTY	
			RHS	LHS
1	091-21248-SUB-01S	LIFT FRAME FOR HYDRAULIC SLIDES (4 HIGH CAGE WITH ROASTER DOORS)	1	1
2	091-21248-SUB-01P	LIFT FRAME FOR HYDRAULIC SLIDE (4 HIGH CAGE WITH ROASTER DOORS)	1	1
	091-21254 S	LIFT FRAME FOR HYDRAULIC SLIDES (4 HIGH CAGE WITH STANDARD DOORS)		
	091-21254 P	LIFT FRAME FOR HYDRAULIC SLIDES (4 HIGH CAGE WITH STANDARD DOORS)		
3	091-21248-SUB-02L	HYDRAULIC SLIDE LIFT TOP FRAME	1	1
4	091-21248-SUB-02R	HYDRAULIC SLIDE LIFT TOP FRAME	1	1
5	091-21248-SUB-03L	HYDRAULIC SLIDE LIFT CRANK SHAFT (INCLUDE 4A)	-	1
5A	091-20066	SPRING BUSHING WITH ID GROOVE	RE	REF
6	091-21248-SUB-03R	HYDRAULIC SLIDE LIFT CRANK SHAFT (INCLUDE 5A)	1	-
6A	091-20066	SPRING BUSHING WITH ID GROOVE	REF	REF
7	091-21248-SUB-04S	WING FOR HYDRAULIC SLIDES FOR 60° CRADLE DUMP	1	1
8	091-21248-SUB-04P	WING FOR HYDRAULIC SLIDES FOR 60° CRADLE DUMP	1	1
9	091-21248-SUB-05	CRANK FOR HYDRAULIC SLIDE LIFT	2	2
10	091-21248-20	SPACER 1" X 7/8 LG WITH WASHER	16	16
11	091-21249	SLIDE #1 (BOTTOM)	1	1
12	091-21250	SLIDE #2	1	1
13	091-21251	SLIDE #3	1	1
14	091-21252	SLIDE #4 (TOP)	1	1
15	091-21253	1 X 1-5/8 LG PIN	4	4
16	098-01482	ROD END 3/8	2	2
17	098-01483	STEER CYLINDER PIN	2	2
18	030-00021	PILLOW BLOCK 1-7/16	2	2
19	170-00002	DOOR CLOSER LIFT CYLINDER	1	1
20	091-00650	CONTROL BOX ASSY FOR HYD. SLIDES	1	1
21	091-00653	HYDRAULIC COMPONENTS FOR HYD SLIDES	1	1
22	097-21340	CONNECTING LINK ASSEMBLY (INCLUDE 22A)	2	2
22A	030-00096	SPRING BUSHING WITH ID GROOVE	REF	REF



Cage Unloading System



Cage Unloading System

Section 3

Lifting Transfer Chains

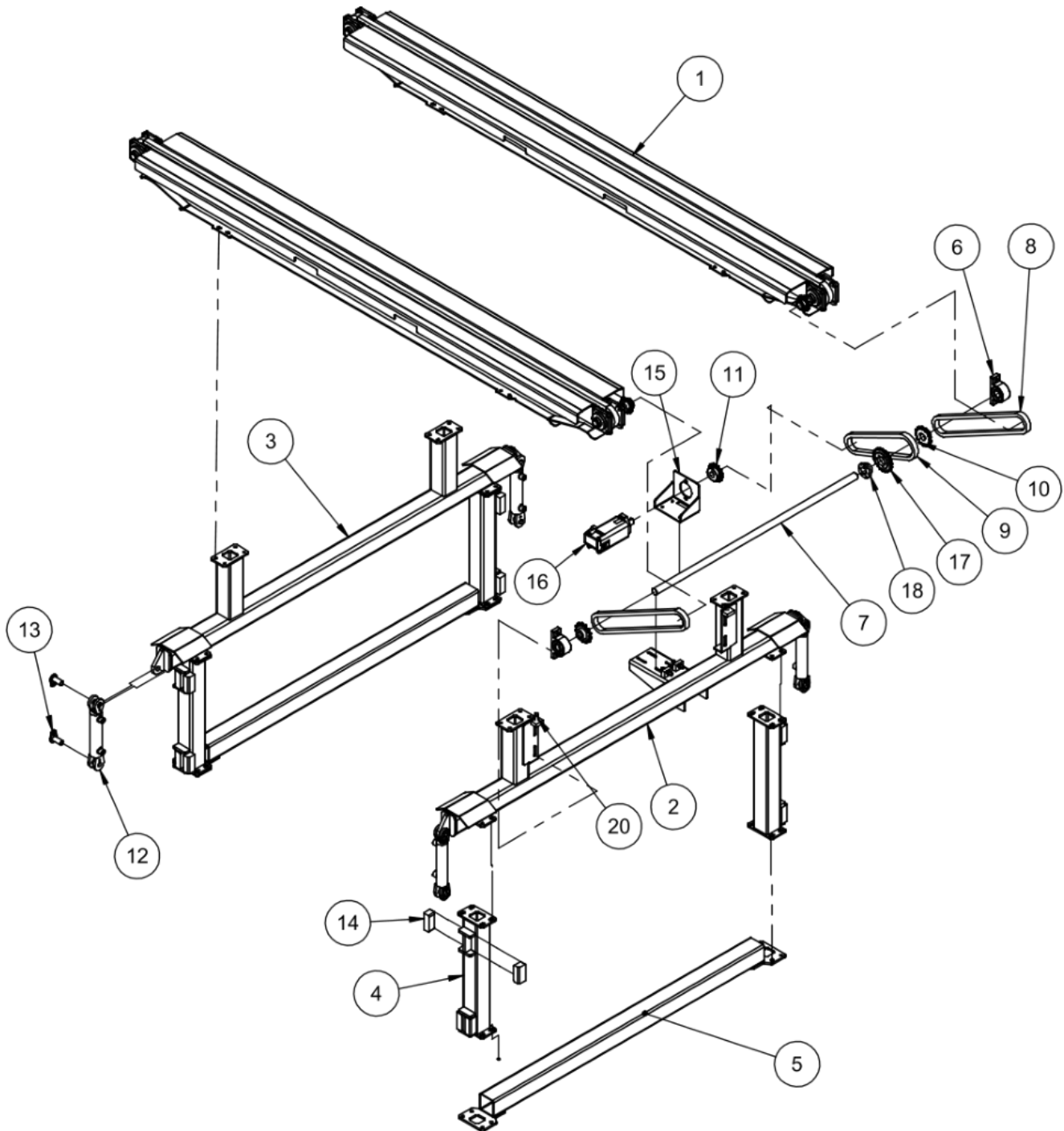
Contents

Lifting Transfer Chain Assembly	2
Transfer Chain Assembly	4



Cage Unloading System

LIFTING TRANSFER CHAIN ASSEMBLY (091-21405)





Cage Unloading System

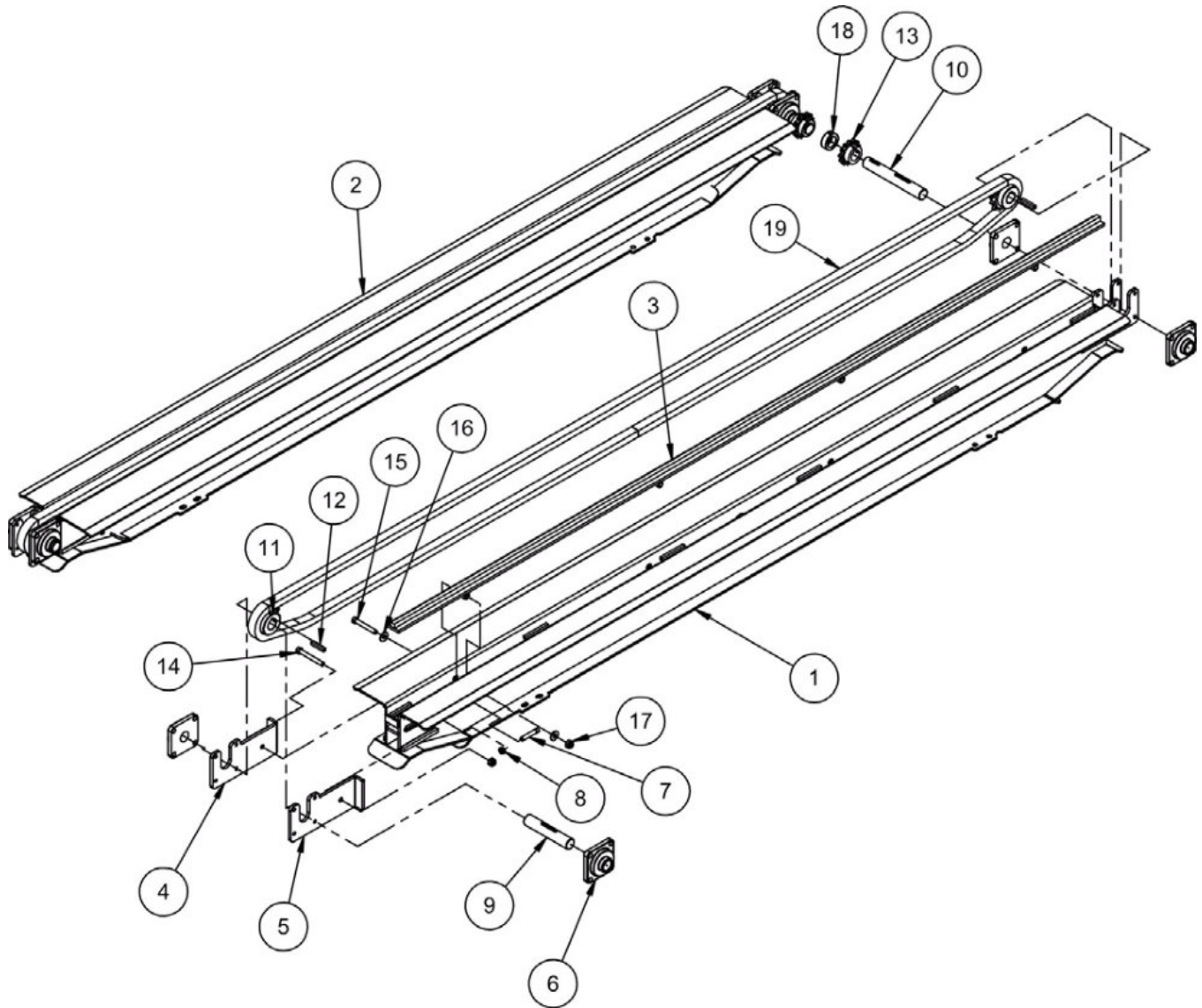
LIFTING TRANSFER CHAIN ASSEMBLY (091-21405)

ITEM	PART NUMBER	DESCRIPTION	QTY	MODEL Or SERIAL #
1	091-21401	TRANSFER CHAIN ASSEMBLY	1	
2	091-21429D	TRANSFER CHAIN LIFT TOP SUB WITH DRIVE	1	
3	091-21429	TRANSFER CHAIN LIFT TOP SUB ASSEMBLY	1	
4	091-21430	TRANSFER CHAIN LIFT SIDE SUB ASSEMBLY	4	
5	091-21431A	TRANSFER CHAIN LIFT BOTTOM SUB ASSEMBLY	2	
6	030-00021	PILLOW BLOCK 1-7/16"	2	
7	670-00065	TRANSFER CHAIN COUNTER SHAFT	1	
8	110-00001	ROLLER CHAIN #60 (10' FOR 2 CHAINS)	AS REQUIRED	
9	110-00001	ROLLER CHAIN #60 (4' OF CHAIN)	AS REQUIRED	
	110-00002	MASTER LINK FOR #60 CHAIN	1	
	100-00003	HALF LINK FOR #60 CHAIN	1	
10	690-00005	SPROCKET 60BS15 1-7/16" BORE	2	
11	690-00044	SPROCKET 60BS15 1-1/4" BORE	1	
12	091-20418	LIFT CYLINDER	4	
13	097-21514	1"X2-1/4" LG PIN WELDMENT	8	
14	091-20416	T-BLOCK LIFT	16	
15	091-20559	HYDRAULIC MOTOR SUPPORT	1	
16	450-00004	HYDRAULIC MOTOR	1	
17	690-00006	SPROCKET 60SDS20	1	
18	690-00021	SDS BUSHING 1-7/16" BORE	1	
19	-	1/2" HEX JAM NUT	4	
20	210-00251S	1/2" X 3" SQUARE HEAD S.S.	4	



Cage Unloading System

TRANSFER CHAIN ASSEMBLY (091-21401)





Cage Unloading System

TRANSFER CHAIN ASSEMBLY (091-21401)

ITEM	PART NUMBER	DESCRIPTION	QTY	MODEL Or SERIAL #
1	091-21412R	TRANSFER CHAIN WELDMENT (RIGHT HAND)	1	
2	091-21412L	TRANSFER CHAIN WELDMENT (LEFT HAND)	1	
3	091-21413	TRANSFER CHAIN GUIDE RAIL	2	
4	091-20243L	TAKE-UP PLATE (LEFT HAND)	2	
5	091-20243R	TAKE-UP PLATE (RIGHT HAND)	2	
6	030-00018	FLANGE BEARING 1-7/16"	8	
7		SCREW SET SQ. HD CUP POINT 1/2"X2-1/2"	4	
8		HEX JAM NUT NC 1/2"	4	
9	670-00025	TRANSFER CHAIN IDLER SHAFT	2	
10	670-00064	TRANSFER CHAIN DRIVE SHAFT	2	
11	690-00069	SPROCKET 13 TEETH WITH 1-7/16" BORE	4	
12	091-20244	3/8" KEY X 2-1/4" LG	4	
13	690-00004	SPROCKET 60BS 13 1-7/16" BORE	2	
14		SCREW CAP HEX HD NC GR 8 1/2" X 4"	2	
15		SCREW CAP HEX HD NC GR 8 1/2"X3-1/2"	8	
16		FLATWASHER 1/2"	16	
17		NUT ESNA 1/2"	18	
18	370-00004	SET COLLAR 1-7/16" SHAFT	2	
19	110-00063	HEAVY DUTY CONVEYOR CHAIN (80H RIV) (25 FT. LONG	2	
20	110-00064	CONNECTING LINK	2	



Cage Unloading System



Cage Unloading System

Section 4

Washer Bottom / Washer Assemblies

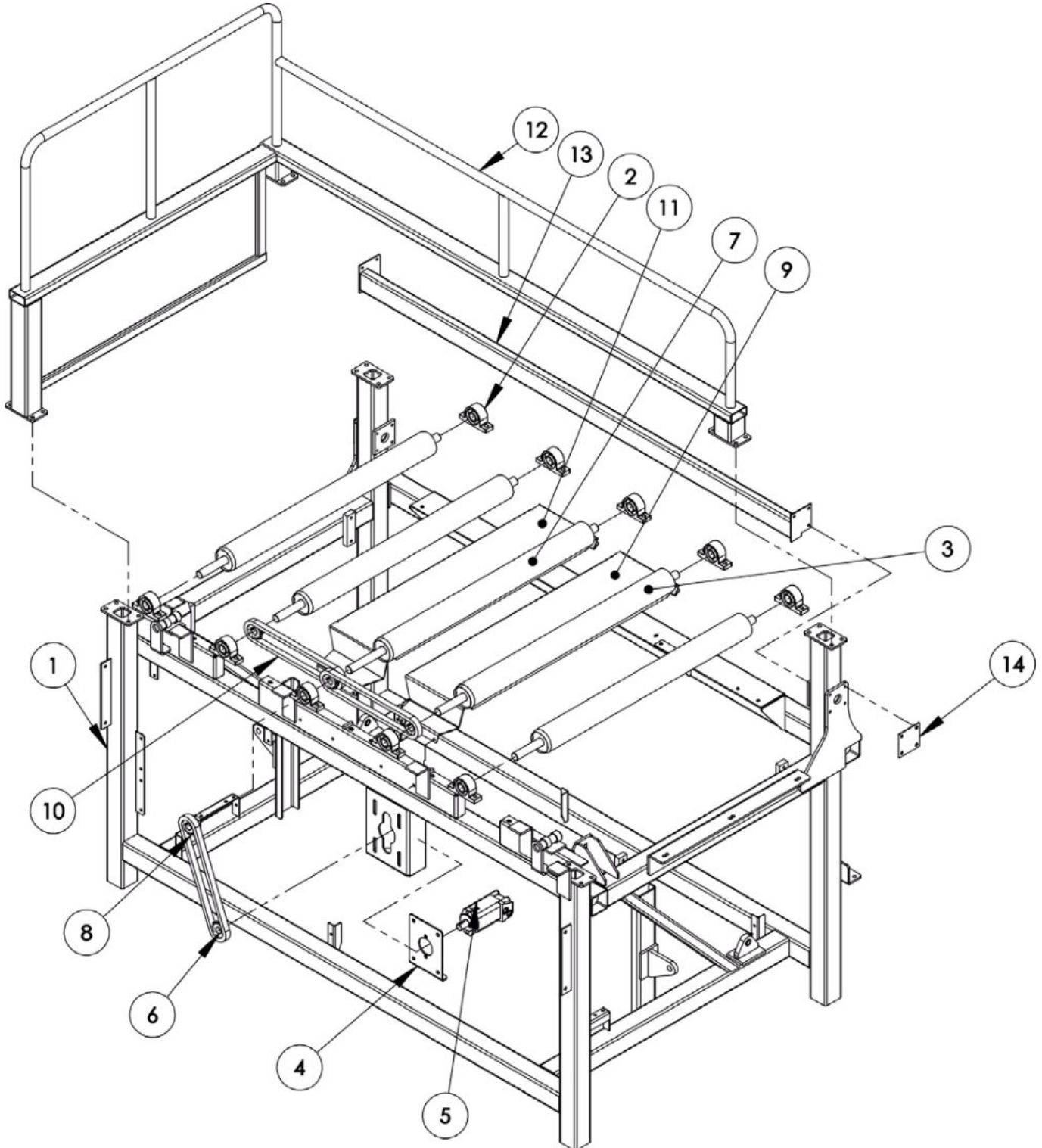
Contents

First Outgoing Conveyor-	2
Washer Assembly -	4
Washer Bottom Assembly -	6
Washer Top Assembly-	8
Washer Carriage Assembly -	10
Spray Pipe with Nozzles -	12
Cage Washer Pumping Unit -	14



Cage Unloading System

First Outgoing Conveyor (091-21503A)
(Washer Bottom without Washer)



LEFT HAND SIDE SYSTEM SHOWN



Cage Unloading System

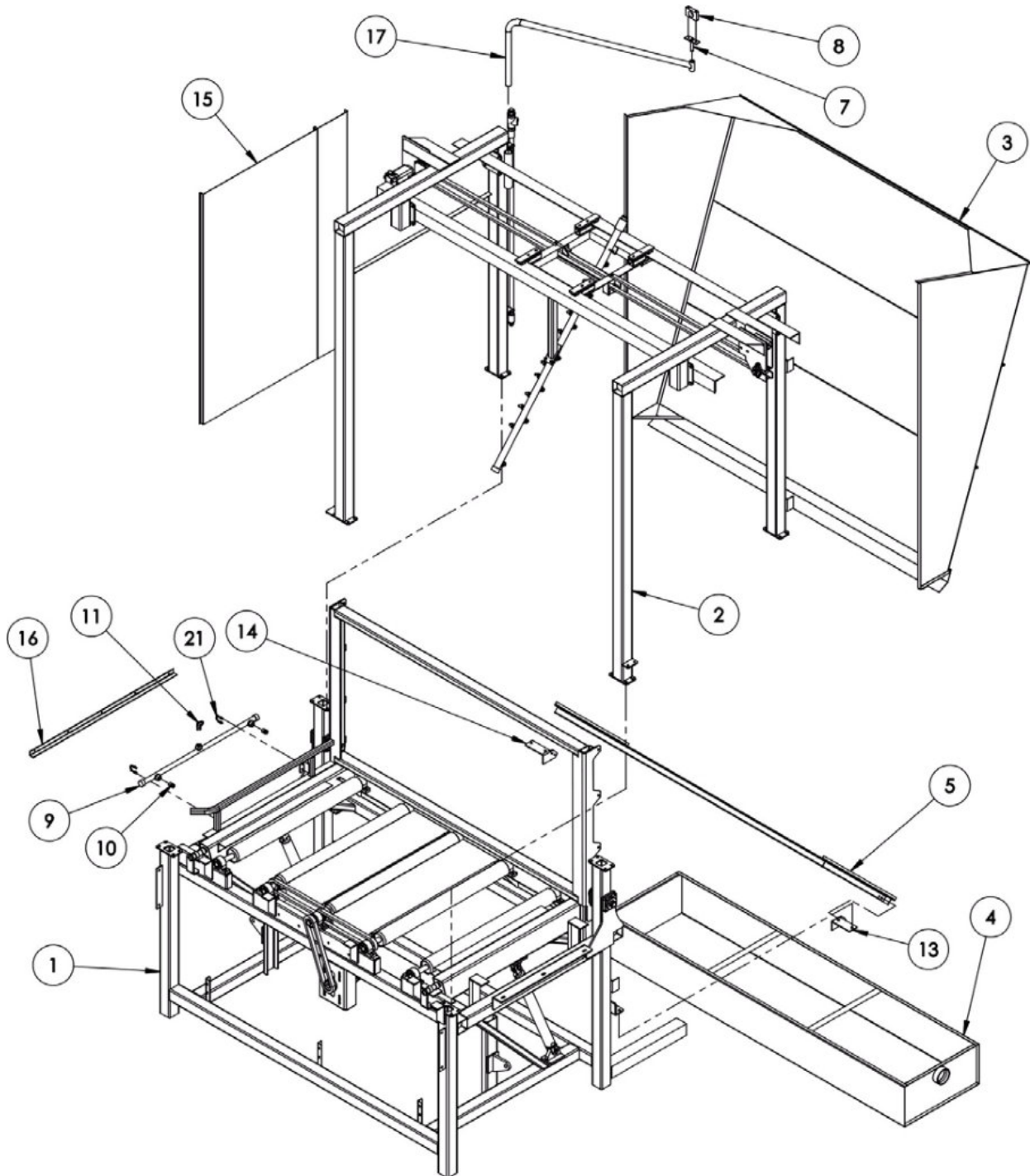
First Outgoing Conveyor (091-21503A) (Washer Bottom without Washer)

ITEM	PART NUMBER	DESCRIPTION	QTY	MODEL Or SERIAL #
1	091-21213SR	RIGHT SIDE MAIN FRAME (STD)	1	
	091-21213SL	LEFT SIDE MAIN FRAME (STD)	1	
2	030-00021	PILLOW BLOCK 1-7/16"	10	
3	091-00309	DRIVEN ROLLER (DUMPER)	4	
4	091-20558	HYDRAULIC MOTOR SUPPORT	1	
5	450-00004	HYDRAULIC MOTOR	1	
6	690-00003	SPROCKET 60BS13 1-1/4" BORE	1	
7	091-00304	DUMPER DRIVE ROLLER	1	
8	690-00004	SPROCKET 60BS13 1-7/16" BORE	5	
9	091-20531	DUMPER LAY-IN LONG	1	
10	110-00001	ROLLER CHAIN #60	AS REQUIRED	
	110-00002	MASTER LINK FOR #60 CHAIN	1	
	100-00003	HALF LINK FOR #60 CHAIN	1	
11	091-20530	DUMPER LAY-IN SHORT	1	
12	091-21826L	WASHER SIDE HANDRAIL ASSEMBLY (LEFT HAND SIDE SYSTEM) (AS SHOWN)	1	
	091-21826R	WASHER SIDE HANDRAIL ASSEMBLY (RIGHT HAND SIDE SYSTEM)	1	
13	091-21848	WASHER BOTTOM SIDE TOE BOARD WELDMENT	1	
14	091-20970	CRADLE BEARING BLANK CAP	2	



Cage Unloading System

WASHER ASSEMBLY (STD) (091-21504)





Cage Unloading System

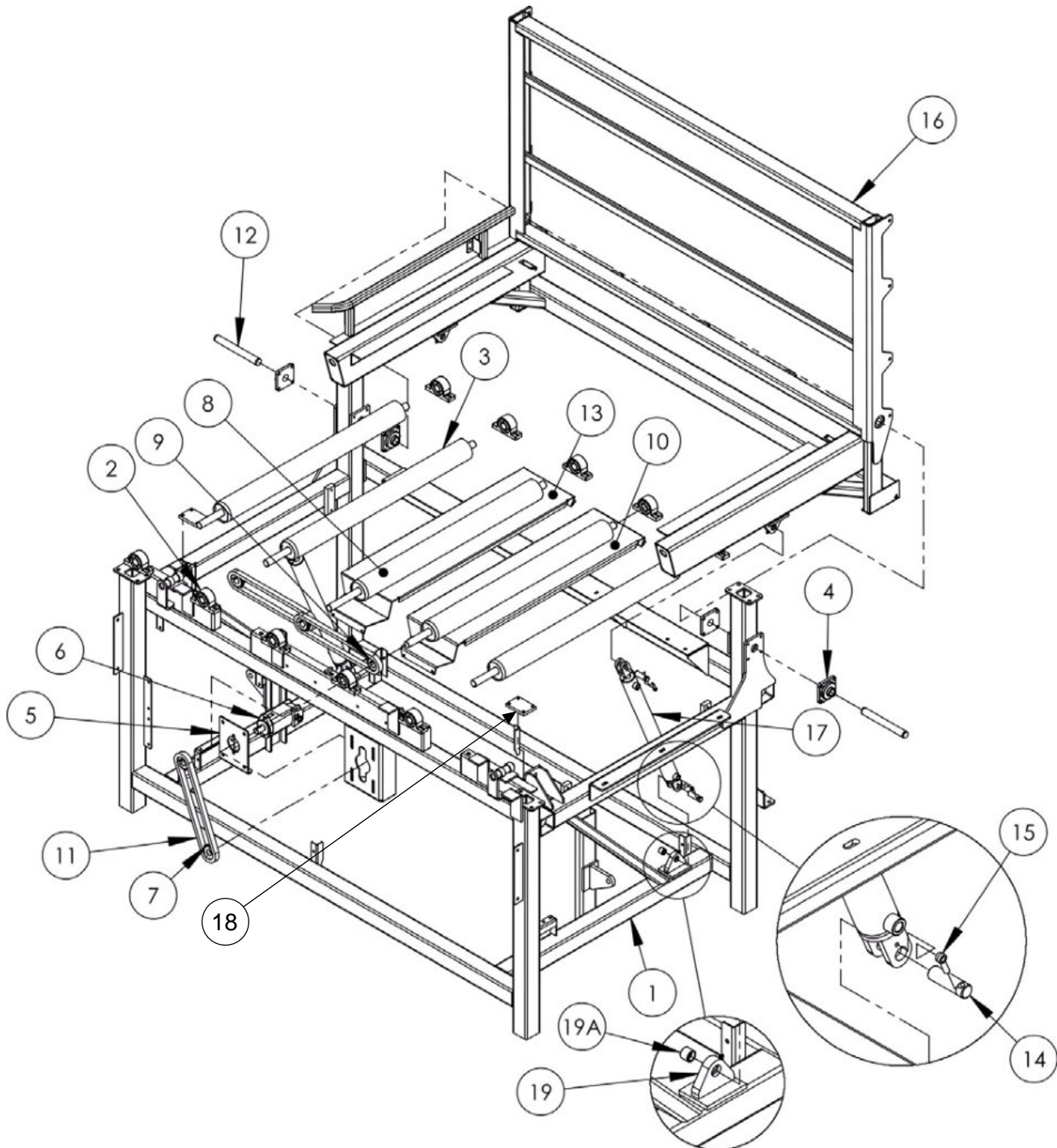
WASHER ASSEMBLY (STD) (091-21504)

ITEM	PART NUMBER	DESCRIPTION	QTY	MODEL Or SERIAL #
1	091-21503BL	LEFT HAND SIDE SYSTEM AS SHOWN WASHER BOTTOM ASSEMBLY FOR WASHER (STD.)	1	
	091-21503BR	RIGHT HAND SIDE SYSTEM WASHER BOTTOM ASSEMBLY FOR WASHER (STD.)	1	
2	091-21502	LEFT OR RIGHT HAND WASHER TOP ASSEMBLY	1	
3	010-00098	SPLASH SHIELD ASSEMBLY	1	
4	010-00099	TROUGH ASSEMBLY	1	
5	010-00097	BOTTOM WATER SHIELD ASSEMBLY	1	
7	091-21512	HOSE SUPPORT SWIVEL BASE	1	
8	091-20675	UHMW HOSE BRACKET - BOTH HALVES	1	
9	010-00096L	LEFT HAND SIDE AS SHOWN FORK TUBE SPRAY PIPE	1	
	010-00096R	RIGHT HAND SIDE FORK TUBE SPRAY PIPE	1	
10	510-00076	FULL JET NOZZLE	2	
11	330-00085	MALE ELBOW (3/4" NPT - 12JIC)	1	
12				
13	091-20676L	BOTTOM WATER SHIELD ANCHOR BRACKET (LH)	1	
14	091-20676R	BOTTOM WATER SHIELD ANCHOR BRACKET (RH)	1	
15	091-21513	SIDE WALL	1	
16	091-20674	SIDE WALL SUPPORT WELDED TO WASHER TOP	1	
17	010-00094	HOSE SUPPORT ASSEMBLY	1	
18				
19	340-00020	WASHER CARRIAGE HOSE (NOT SHOWN)	1	
20	340-00004	FORK TUBE SPRAY PIPE CONNECTION HOSE (NOT SHOWN)	1	
21	210-00271	U-BOLT 5/16" X 1" PIPE	2	



Cage Unloading System

WASHER BOTTOM ASSEMBLY FOR WASHER (STD) (091-21503B)



LEFT HAND SIDE SYSTEM SHOWN



Cage Unloading System

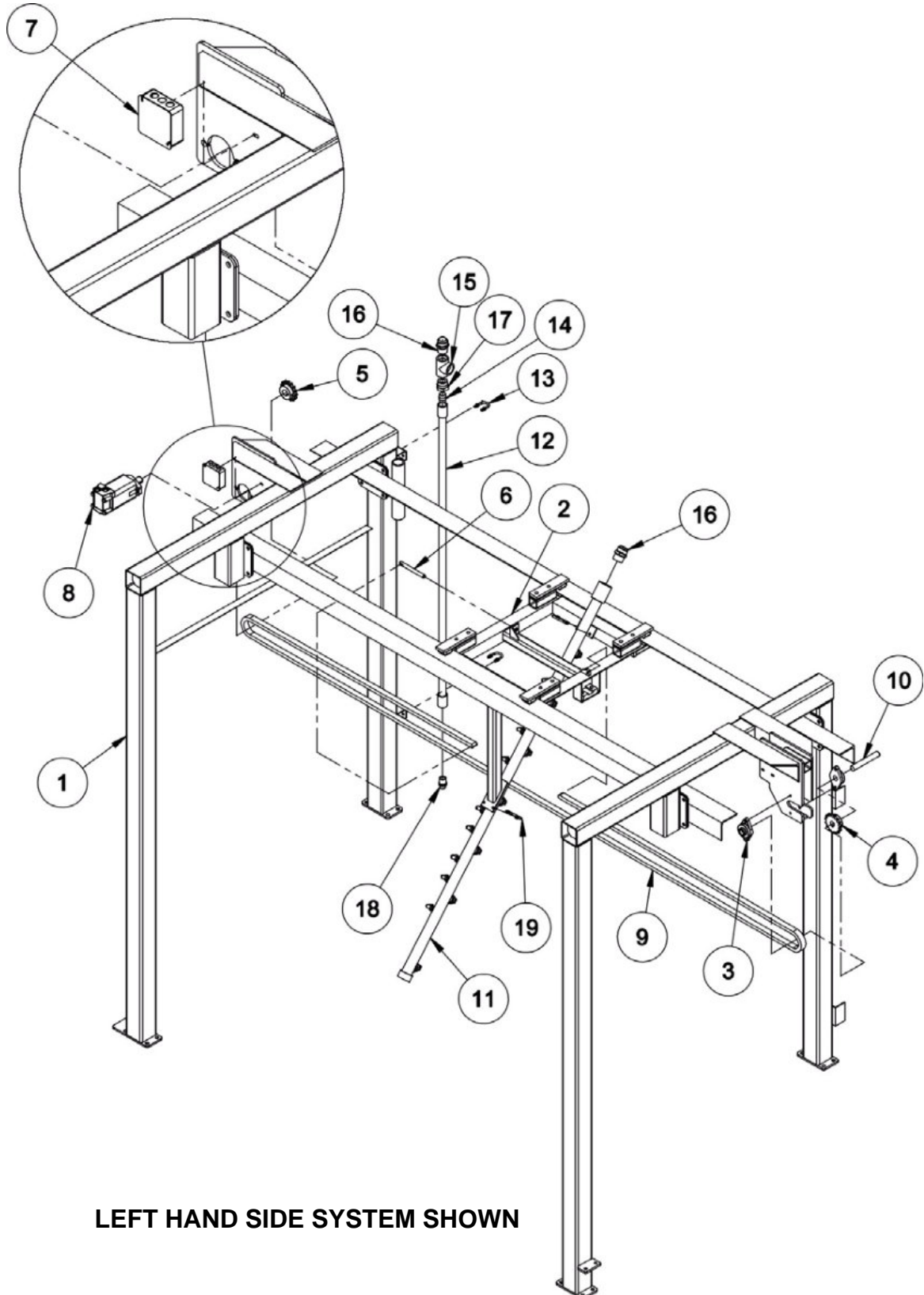
WASHER BOTTOM ASSEMBLY FOR WASHER (STD) (091-21503B)

ITEM	PART NUMBER	DESCRIPTION	QTY	MODEL Or SERIAL #
1	091-21213SL	LEFT HAND SIDE MAIN FRAME (STD.)	1	
	091-21213SR	RIGHT HAND SIDE MAIN FRAME	1	
2	030-00021	PILLOW BLOCK 1-7/16"	10	
3	091-00309	DRIVEN ROLLER (DUMPER)	4	
4	030-00018	FLANGE BEARING 1-7/16"	4	
5	091-20558	HYDRAULIC MOTOR SUPPORT	1	
6	450-00004	HYDRAULIC MOTOR	1	
7	690-00003	SPROCKET 60BS13 1-1/4" BORE	1	
8	091-00304	DUMPER DRIVE ROLLER	1	
9	690-00004	SPROCKET 60BS13 1-7/16" BORE	5	
10	091-20531	DUMPER LAY-IN LONG	1	
11	110-00001	ROLLER CHAIN #60	AS REQUIRED	
	110-00002	MASTER LINK FOR #60 CHAIN	1	
	100-00003	HALF LINK FOR #60 CHAIN	1	
12	670-00018	DUMP HINGE PIN	2	
13	091-20530	DUMPER LAY-IN SHORT	1	
14	098-01483	CYLINDER PIN	4	
15	098-01482	ROD END 3/8"	4	
16	091-21514L	WASHER CRADLE WELDMENT (LEFT HAND SIDE SYSTEM)	1	
	091-21514R	WASHER CRADLE WELDMENT (RIGHT HAND SIDE SYSTEM)	1	
17	091-20085W	40° CRADLE TILT CYLINDER	2	
	630-00021	SEAL KIT FOR CYLINDER #091-20085 D OR W	1	
18	091-20248	CRADLE BUMPER	2	
19	091-21221	CYLINDER ANCHOR WELDMENT (INCLUDES ITEM 19A)	1	
19A	091-20066	BUSHING	1	



Cage Unloading System

WASHER TOP ASSEMBLY (091-21502)



LEFT HAND SIDE SYSTEM SHOWN



Cage Unloading System

WASHER TOP ASSEMBLY (091-21502)

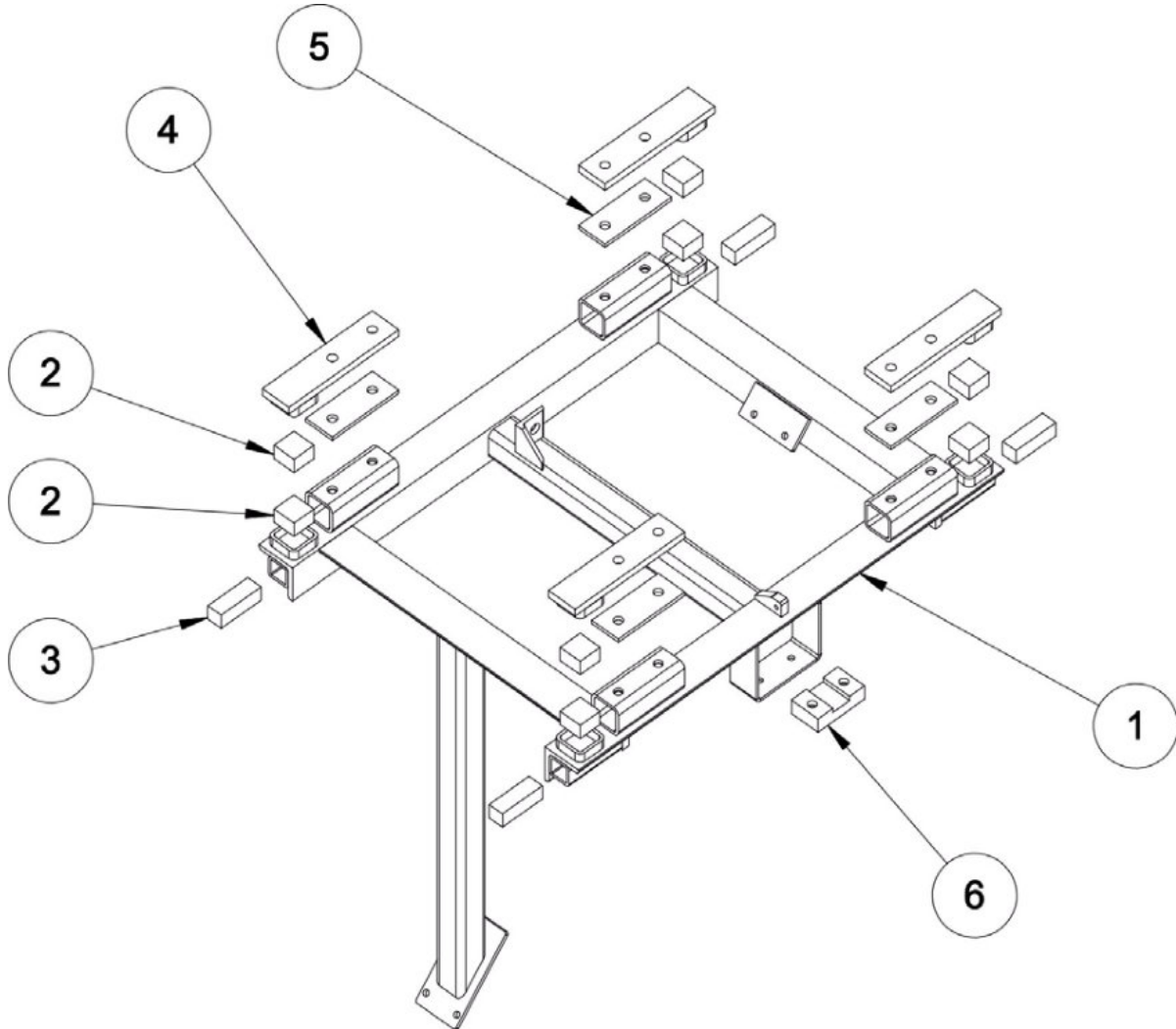
ITEM	PART NUMBER	DESCRIPTION	QTY	MODEL Or SERIAL #
1	091-21510L	WASHER TOP FRAME WELDMENT (AS SHOWN)	1	
	091-21510R	RIGHT HAND SIDE SYSTEM WASHER TOP FRAME	1	
2	010-00100	WASHER CARRIAGE ASSEMBLY	1	
3	030-00044	FLANGE BEARING 1"	2	
4	690-00045	SPROCKET 60BS15 1" BORE	1	
5	690-00044	SPROCKET 60BS15 1-1/4" BORE	1	
6	410-00208	CHAIN ADJUSTMENT ROD	1	
7	091-24261	4" X 4" ELECTRICAL BOX	2	
8	450-00004	HYDRAULIC MOTOR	1	
9	110-00001	ROLLER CHAIN #60	AS REQUIRED	
	110-00002	MASTER LINK FOR #60 CHAIN	1	
	100-00003	HALF LINK FOR #60 CHAIN	1	
10	410-00207	WASHER IDLER SHAFT	1	
11*	010-00101AL	SPRAY PIPE WITH NOZZLES (LEFT HAND SIDE SYSTEM)	1	
	010-00101AR	SPRAY PIPE WITH NOZZLES (RIGHT HAND SIDE SYSTEM)	1	
12	010-00095	VERTICAL PIPE ASSEMBLY	1	
13	210-00271	U-BOLT 5/16" X 1" PIPE	2	
14	510-00062	1" NIPPLE CLOSE	1	
15	510-00096	1-1/2" TEE	1	
16	330-00013	STRAIGHT ADAPTOR (MALE 1-1/2" NPT - 24 JIC)	2	
17	510-00010	1-1/2" - 1" NPT BUSHING	1	
18	330-00011	MALE CONNECTOR (1" NPT -12 JIC)	1	
19	210-00836	U-BOLT 5/16" X 1-1/2" PIPE	2	

* See Spray Pipe With Nozzles For Detail (Section 4 - 12)



Cage Unloading System

WASHER CARRIAGE ASSEMBLY (010-00100)





Cage Unloading System

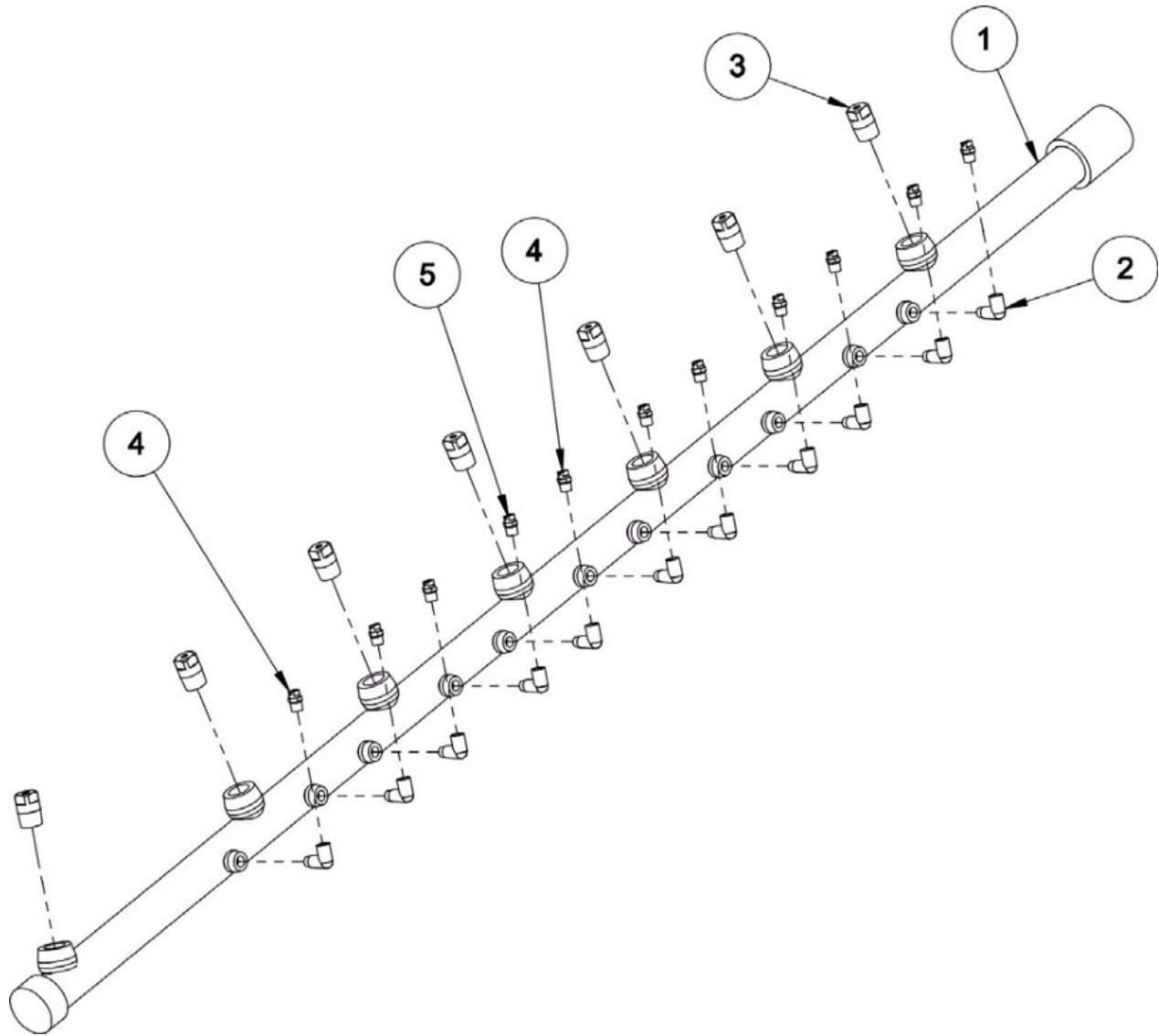
WASHER CARRIAGE ASSEMBLY (010-00100)

ITEM	PART NUMBER	DESCRIPTION	QTY	MODEL Or SERIAL #
1	010-00110	WASHER CARRIAGE	1	
2	410-00266	UHMW WEAR PAD	8	
3	410-00267	UHMW THRUST BLOCK	4	
4	010-00102	TOP ARM WASHER CARRIAGE	4	
5	091-20468	SHIM FOR WASHER TOP ARM	4	
6	091-20473	UHMW CHAIN GUIDE	1	



Cage Unloading System

SPRAY PIPE WITH NOZZLES (010-00101A)



LEFT HAND SIDE SYSTEM SHOWN



Cage Unloading System

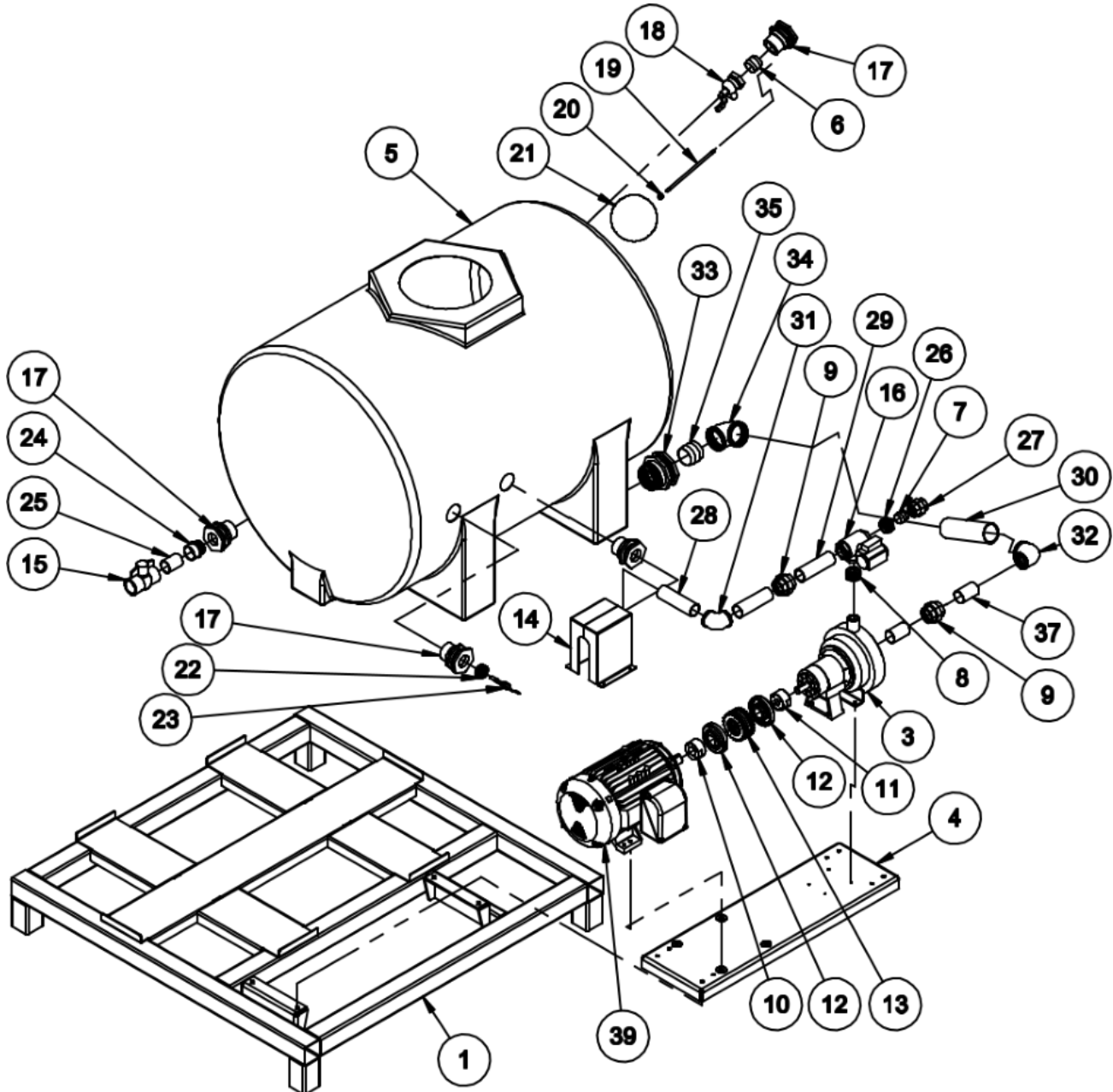
SPRAY PIPE WITH NOZZLES (010-00101A)

ITEM	PART NUMBER	DESCRIPTION	QTY	MODEL Or SERIAL #
1	010-00101L	SPRAY PIPE WITH THREADOLETS (LEFT HAND SIDE SYSTEM)	1	
	010-00101R	SPRAY PIPE WITH THREADOLETS (RIGHT HAND SIDE SYSTEM)	1	
2	510-00093	ELBOW STREET (1/4" X 90°)	11	
3	510-00076	FULL JET NOZZLE	7	
4	510-00078	FAN PATTERN NOZZLE	6	
5	510-00077	CONICAL PATTERN NOZZLE	5	



Cage Unloading System

CAGE WASHER PUMPING UNIT (091-21505A)





Cage Unloading System

CAGE WASHER PUMPING UNIT (091-21505A)

ITEM	PART NUMBER	DESCRIPTION	QTY	MODEL Or SERIAL #
1	091-21508	PUMPING UNIT BASE (SIDE MOUNTED PUMP)	1	
39	450-00056	30 HP ELECTRIC MOTOR	1	
3	530-00032	CRANE DEMING PUMP	1	
4	091-21507	MOTOR/PUMP PLATE	1	
5	410-00133	525 GAL WATER TANK	1	
6	510-00177	NIPPLE 2" NPT CLOSE	1	
7	510-00216	NIPPLE 1-1/2" NPT CLOSE	1	
8	510-00176	1" NPT X 2" NPT BUSHING ZINC COATED	1	
9	510-00103	2" NPT UNION	2	
10	530-00022	MOTOR SIDE HUB	1	
11	530-00021	PUMP SIDE HUB	1	
12	530-00020	COUPLING FLANGE	2	
13	530-00023	COUPLING RUBBER INSERT	1	
14	091-21506	COUPLING GUARD	1	
15	490-00003	2" PVC BALL VALVE	1	
16	810-00162	2" 3 WAY BRASS SOLENOID BALL VALVE	1	
17	490-00004	2" NPT TANK BULKHEAD	4	
18	430-00111	2" NPT BRASS FLOAT VALVE	1	
19	430-00113	BRASS FLOAT ROD	1	
20	430-00114	BRASS BUSHING 1/8 NPT X 3/8 NPT	1	
21	430-00112	BRASS FLOAT	1	
22	510-00014	BUSHING 2" NPT X 1/2" NPT ZINC COATED	1	
23	250-00003	ELECTRIC FLOAT SWITCH	1	
24	490-00026	PVC ADAPTER 2" MALE NPT X 2" SOCKET	1	
25	490-00007	2" SCH. 40 PVC PIPE (3" LG)	1	
26	510-00019	2" NPT X 1-1/2" NPT BUSHING ZINC COATED	1	
27	510-00102	1-1/2" NPT UNION	1	
28		GALV STL PIPE (SCH. 40) (2" X 8")	1	
29		GALV STL PIPE (SCH. 40) (2" X 7-1/2")	2	
30		GALV STL PIPE (SCH. 40) (3" X 11-1/2")	1	
31	510-00161	2" NPT ELBOW	1	
32	510-00236	REDUCER ELBOW 3" NPT X 2" NPT	1	
33	490-00005	3" PVC TANK BULKHEAD	1	
34	510-00237	ELBOW (3" NPT X 3" NPT)	1	
35	510-00238	NIPPLE SCH. 40 3" CLOSE	1	
37	510-00231	NIPPLE SCH. 40 (2" X 4")	2	
38	091-21669	4 X 4 FOOT PAD	4	



Cage Unloading System



Cage Unloading System

Section 5

Outgoing Conveyor

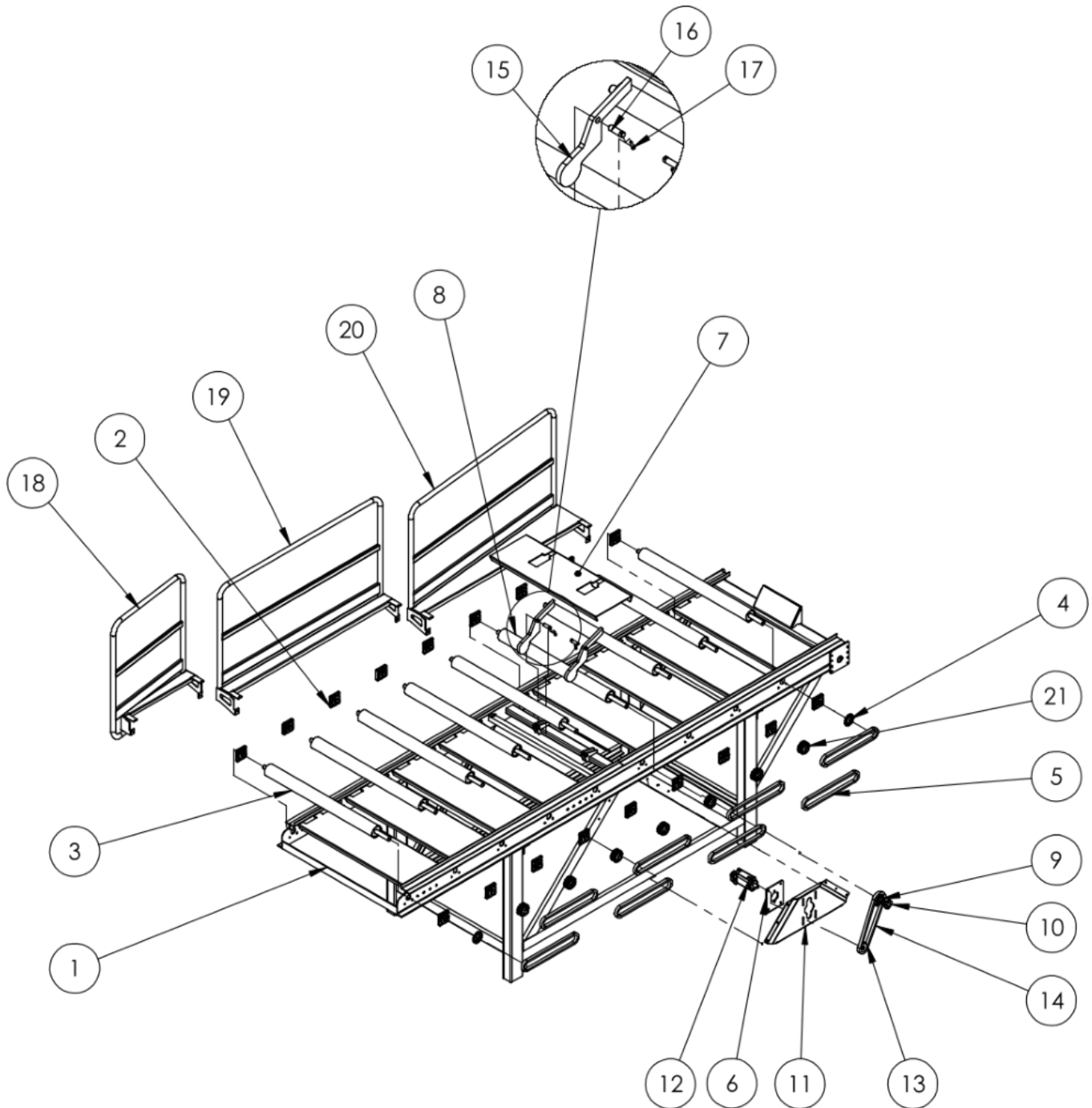
Contents

20' Outgoing Conveyor	2
30' Outgoing Conveyor	4
20' Intermediate Outgoing Section	6



Cage Unloading System

20' OUTGOING CONVEYOR (STD.) (091-21702)



LEFT HAND SIDE SYSTEM SHOWN



Cage Unloading System

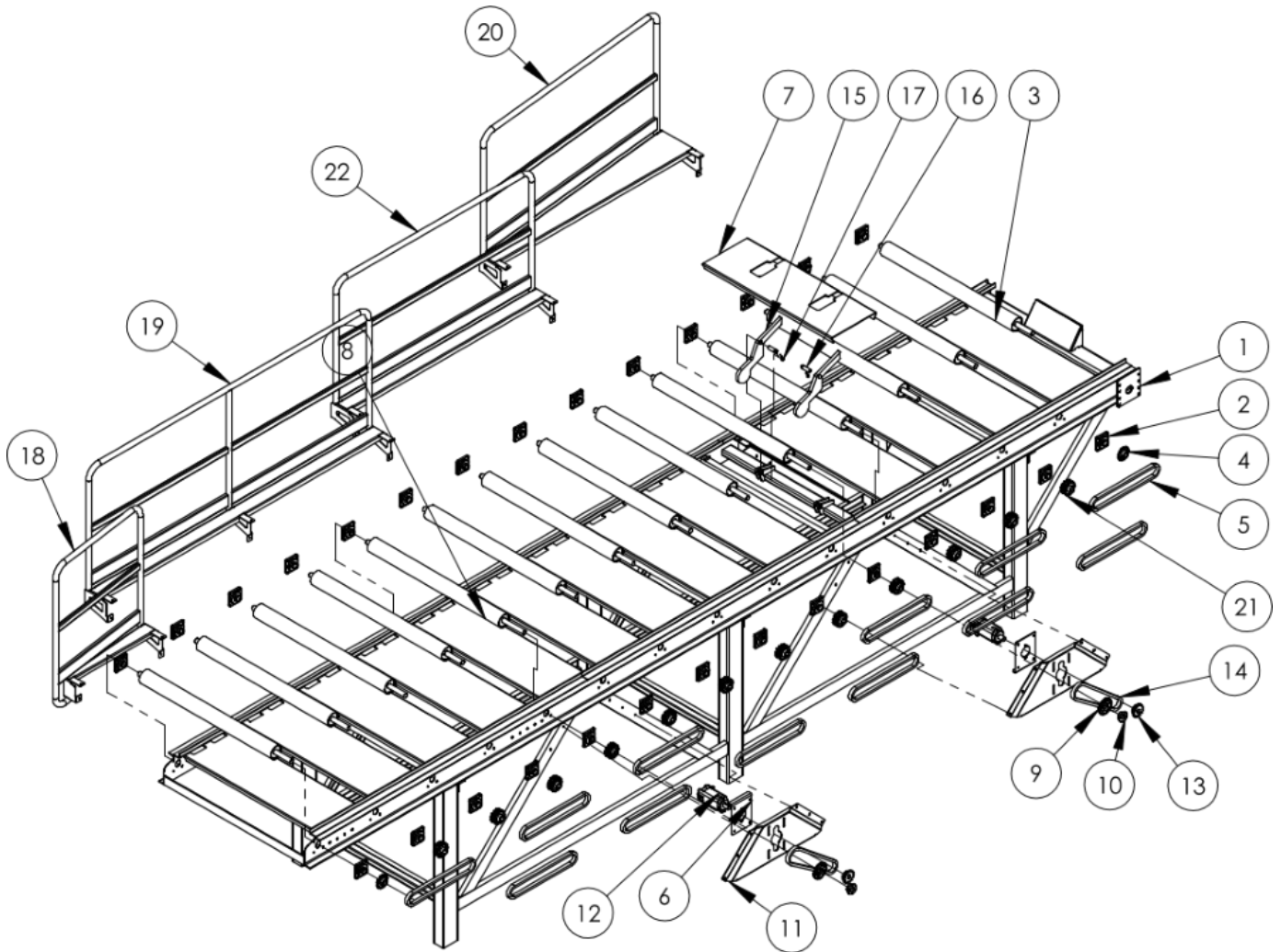
20' OUTGOING CONVEYOR (STD.) (091-21702)

ITEM	PART NUMBER	DESCRIPTION	QTY	MODEL Or SERIAL #
1	091-21713	20' OUTGOING CONVEYOR FRAME (STD.)	1	
2	030-00018	FLANGE BEARING 1-7/16"	18	
3	091-00308	CONVEYOR DRIVEN ROLLER	8	
4	690-00005	SPROCKET 60BS15 1-7/16" BORE	2	
5	110-00001	ROLLER CHAIN #60	AS REQUIRED	
	110-00002	MASTER LINK FOR #60 CHAIN	1	
	100-00003	HALF LINK FOR #60 CHAIN	1	
6	091-20558	HYDRAULIC MOTOR SUPPORT	1	
7	091-20539	LAY-IN AT CAGE STOP	1	
8	091-00307	DRIVE ROLLER (CONVEYOR)	1	
9	690-00006	SPROCKET 60SDS20	1	
10	690-00021	SDS BUSHING 1-7/16" BORE	1	
11	091-21124	HYDRAULIC MOTOR PLATE WITH CAP	1	
12	450-00004	HYDRAULIC MOTOR	1	
13	690-00044	SPROCKET 60BS15 1-1/4" BORE	1	
14	110-00001	ROLLER CHAIN #60	AS REQUIRED	
	110-00002	MASTER LINK FOR #60 CHAIN	1	
	100-00003	HALF LINK FOR #60 CHAIN	1	
15	D70014	CAGE STOP	2	
16	098-01483	CYLINDER PIN	2	
17	098-01482	ROD END 3/8"	2	
18	091-21830L	CONVEYOR HANDRAIL (SHORT) (FOR LEFT HAND SIDE SYSTEM)		
	091-21830R	CONVEYOR HANDRAIL (SHORT) (FOR RIGHT HAND SIDE SYSTEM)		
19	091-21829	CONVEYOR HANDRAIL (LONG)	1	
20	091-21828.2	CONVEYOR HANDRAIL (FLARE) (FOR LEFT HAND SIDE SYSTEM) (AS SHOWN)	1	
	091-21828.1	CONVEYOR HANDRAIL (FLARE) (FOR RIGHT HAND SIDE SYSTEM)	1	
21	690-00063	DUAL SPROCKET 60BS15 1-7/16" BORE	7	



Cage Unloading System

30' OUTGOING CONVEYOR (091-21703)





Cage Unloading System

30' OUTGOING CONVEYOR (091-21703)

ITEM	PART NUMBER	DESCRIPTION	QTY	MODEL Or SERIAL #
1	091-21714	30' OUTGOING CONVEYOR FRAME (STD.)	1	
2	030-00018	FLANGE BEARING 1-7/16"	28	
3	091-00308	OUTGOING CONVEYOR DRIVEN ROLLER	12	
4	690-00005	SPROCKET 60BS15 1-71/6" BORE	4	
5	110-00001	ROLLER CHAIN #60	AS REQUIRED	
	110-00002	MASTER LINK FOR #60 CHAIN	1	
	100-00003	HALF LINK FOR #60 CHAIN	1	
6	091-20558	HYDRAULIC MOTOR SUPPORT	2	
7	091-20539	LAY-IN AT CAGE STOP	1	
8	091-00307	DRIVE ROLLER (CONVEYOR)	2	
9	690-00006	SPROCKET 60SD20	2	
10	690-00021	QD BUSHING (SDS 1-7/16")	2	
11	091-21124	HYDRAULIC MOTOR PLATE WITH CAP	2	
12	450-00004	HYDRAULIC MOTOR	2	
13	690-00044	SPROCKET 60BS15 1-1/4" BORE	2	
14	110-00001	ROLLER CHAIN #60	AS REQUIRED	
	110-00002	MASTER LINK FOR #60 CHAIN	1	
	100-00003	HALF LINK FOR #60 CHAIN	1	
15	D70014	CAGE STOP	2	
16	098-01483	CYLINDER PIN	2	
17	098-01482	ROD END 3/8"	2	
18	091-21830L	CONVEYOR HANDRAIL (SHORT) (LEFT HAND SYSTEM)	1	
	091-21830R	CONVEYOR HANDRAIL (SHORT) (RIGHT HAND SYSTEM)	1	
19	091-21844	HANDRAIL FOR EXTENDED CONVEYOR	1	
20	091-21828.2	CONVEYOR HANDRAIL (FLARE) (LEFT HAND SYSTEM)	1	
	091-21828.1	CONVEYOR HANDRAIL (FLARE) (RIGHT HAND SYSTEM)	1	
21	690-00063	DUAL SPROCKET 60BS15 1-71/6" BORE	10	
22	091-21829	CONVEYOR HANDRAIL (LONG)	1	

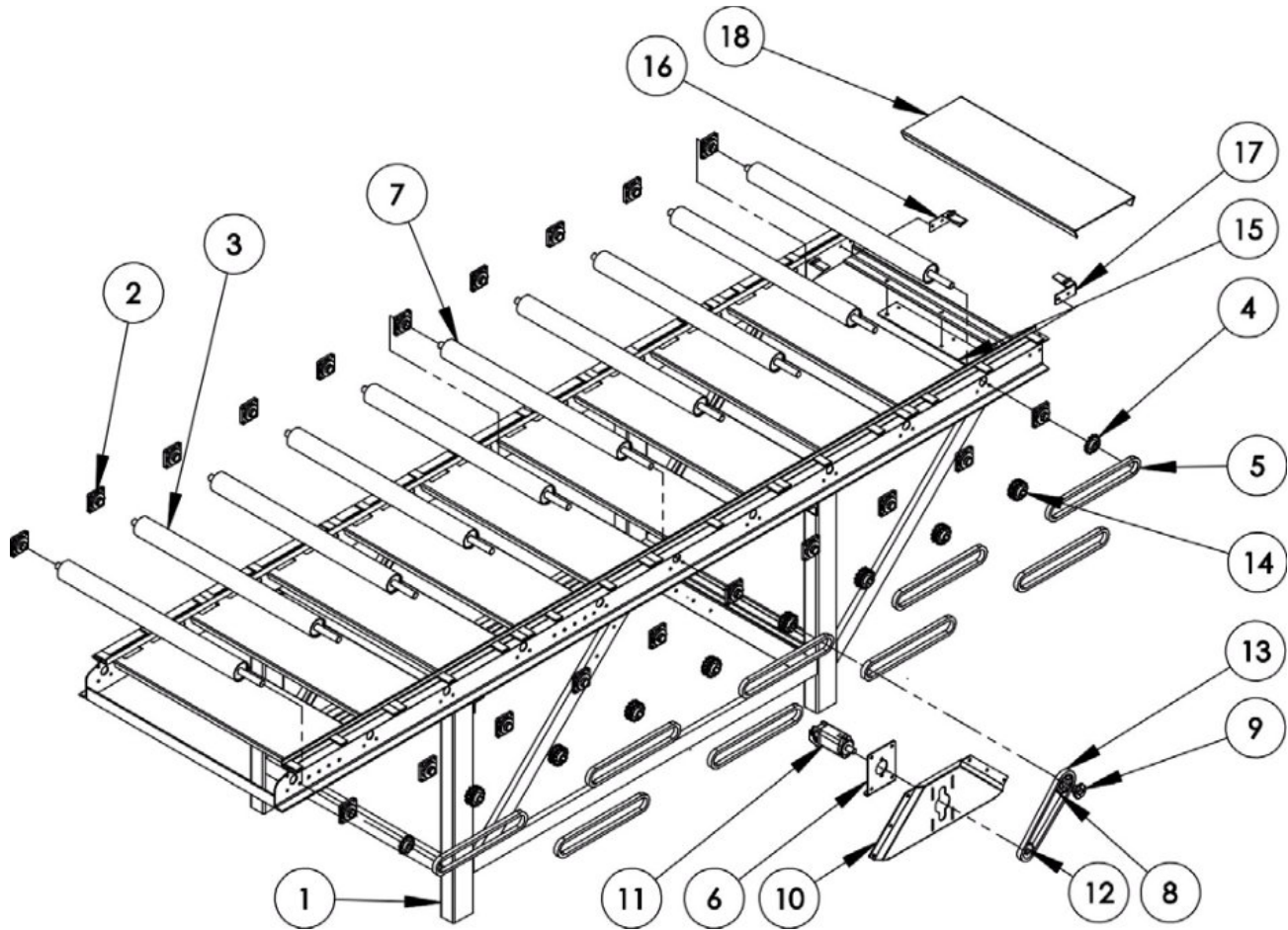
* Note: For 40' conveyors 4 Extra Item 19 (091-21844) Required.

* Note: For 50' conveyors 6 Extra Item 19 (091-21844) Required.



Cage Unloading System

20' INTERMEDIATE OUTGOING SECTION (091-21704)





Cage Unloading System

20' INTERMEDIATE OUTGOING SECTION (091-21704)

ITEM	PART NUMBER	DESCRIPTION	QTY	MODEL Or SERIAL #
1	091-21715	OUTGOING 20' INTERMEDIATE SECTION FRAME	1	
2	030-00018	FLANGE BEARING 1-7/16	20	
3	091-00308	OUTGOING CONVEYOR DRIVEN ROLLER	9	
4	690-00005	SPROCKET 60BS15 1-7/16" BORE	2	
5	110-00001	ROLLER CHAIN #60	AS REQUIRED	
	110-00002	MASTER LINK FOR #60 CHAIN	1	
	100-00003	HALF LINK FOR #60 CHAIN	1	
6	091-20558	HYDRAULIC MOTOR SUPPORT	1	
7	091-00307	DRIVE ROLLER (CONVEYOR)	1	
8	690-00006	SPROCKET 60SD20	1	
9	690-00021	QD BUSHING (SDS 1-7/16")	1	
10	091-21124	HYDRAULIC MOTOR PLATE WITH CAP	1	
11	450-00004	HYDRAULIC MOTOR	1	
12	690-00044	SPROCKET 60BS15 1-1/4" BORE	1	
13	110-00001	ROLLER CHAIN #60	AS REQUIRED	
	110-00002	MASTER LINK FOR #60 CHAIN	1	
	100-00003	HALF LINK FOR #60 CHAIN	1	
14	690-00063	DUAL SPROCKET 60BS15 1-71/6" BORE	8	
15	091-20838	CONNECTION TONGUE FOR CONVEYOR	1	
16	091-21846L	CONNECTOR LAY IN SUPPORT	1	
17	091-21846R	CONNECTOR LAY IN SUPPORT	1	
18	091-20842	CONNECTOR LAY IN FOR DOUBLE CONVEYORS	1	

* Note: See Section 9 for Lay-ins for extended conveyors.



Cage Unloading System



Cage Unloading System

Section 6

Receiving and Hanging Belts

Contents

Receiving Belt	
88" Back Outlet - - - - -	2
Complete drive shaft Assy 88" Belt - - - - -	4
108" Back Outlet Receiving Belt - - - - -	6
Complete Drive Shaft Assy 108" Belt - - - - -	8
108" Receiving with Side Outlet - - - - -	10
88" Extension Belt Assy - - - - -	12
108" Extension Belt - - - - -	14
Hanging Belt	
Standard Drive Section - - - - -	16
Drive End Take Up - - - - -	18
Side Feed Idler End (Pushing Birds - - - - -	20
Side Feed Idler End Assy" Dropping Birds In - - - - -	22
End Feed Idler End - - - - -	24
Belt Interface (End Feed Hanging Belt) - - - - -	26
Belt Interface (Side Feed Hanging Belt) "Pushing Birds In" - - - - -	28
Belt Interface (Side Feed Hanging Belt) "Dropping Birds In"- - - - -	30

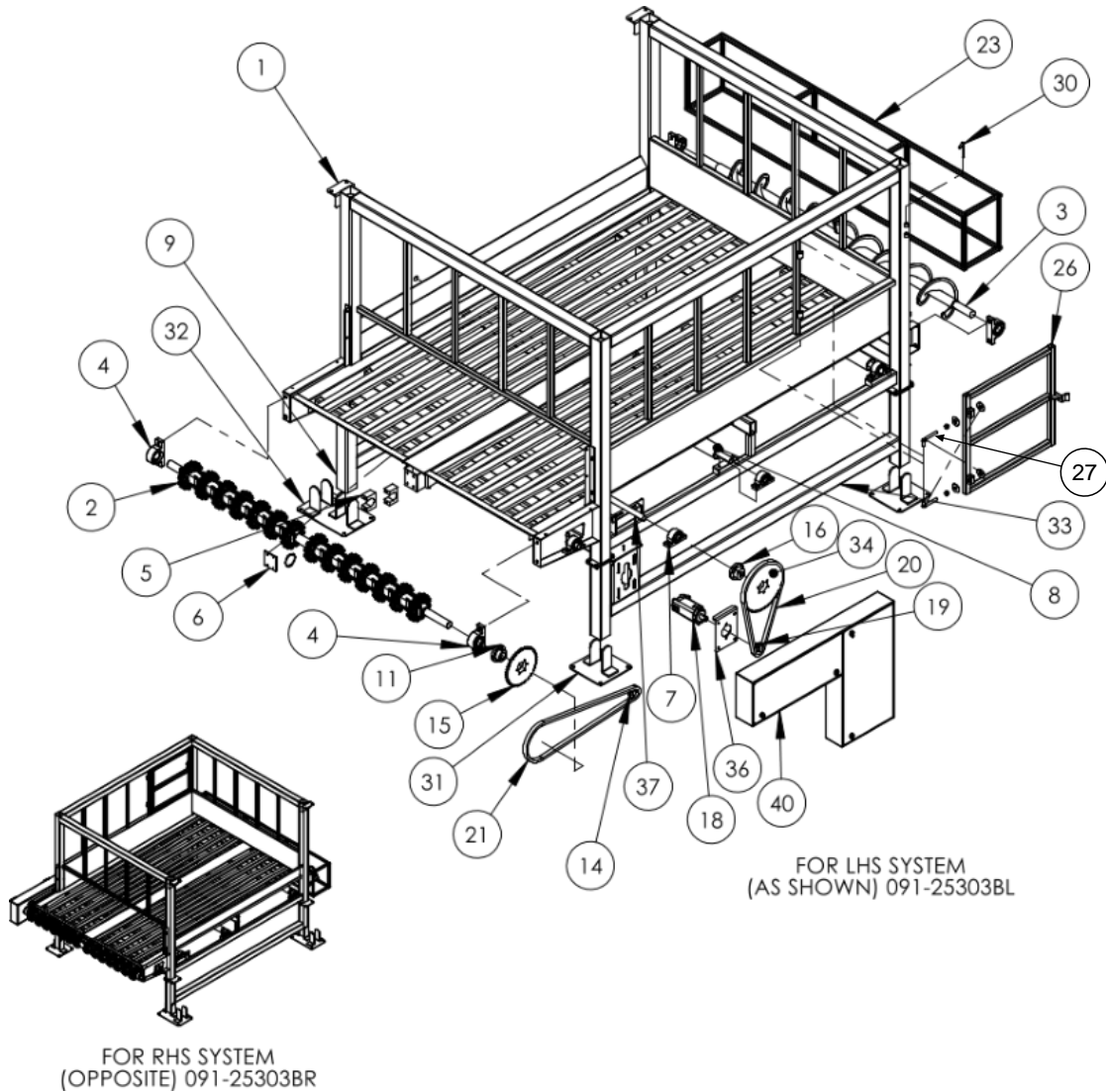
NOTE: Receiving, extension, and hanging belts have left or right configurations that are not related to the configuration of the main system. The configuration is determined by the location of the drive in relation to the direction of belt travel. For example, when facing in the direction of the travel of the belt and the drive is on the left, it is a left side drive configuration. The configuration affects the guards, motor mounts, sub-frames, and interface plates and must be specified when ordering parts.

ALL DRAWINGS SHOW LEFT SIDE DRIVE EQUIPMENT.



Cage Unloading System

88" BACK OUTLET (091-25303B)



LEFT HAND SIDE SYSTEM SHOWN



Cage Unloading System

88" BACK OUTLET (091-25303B)

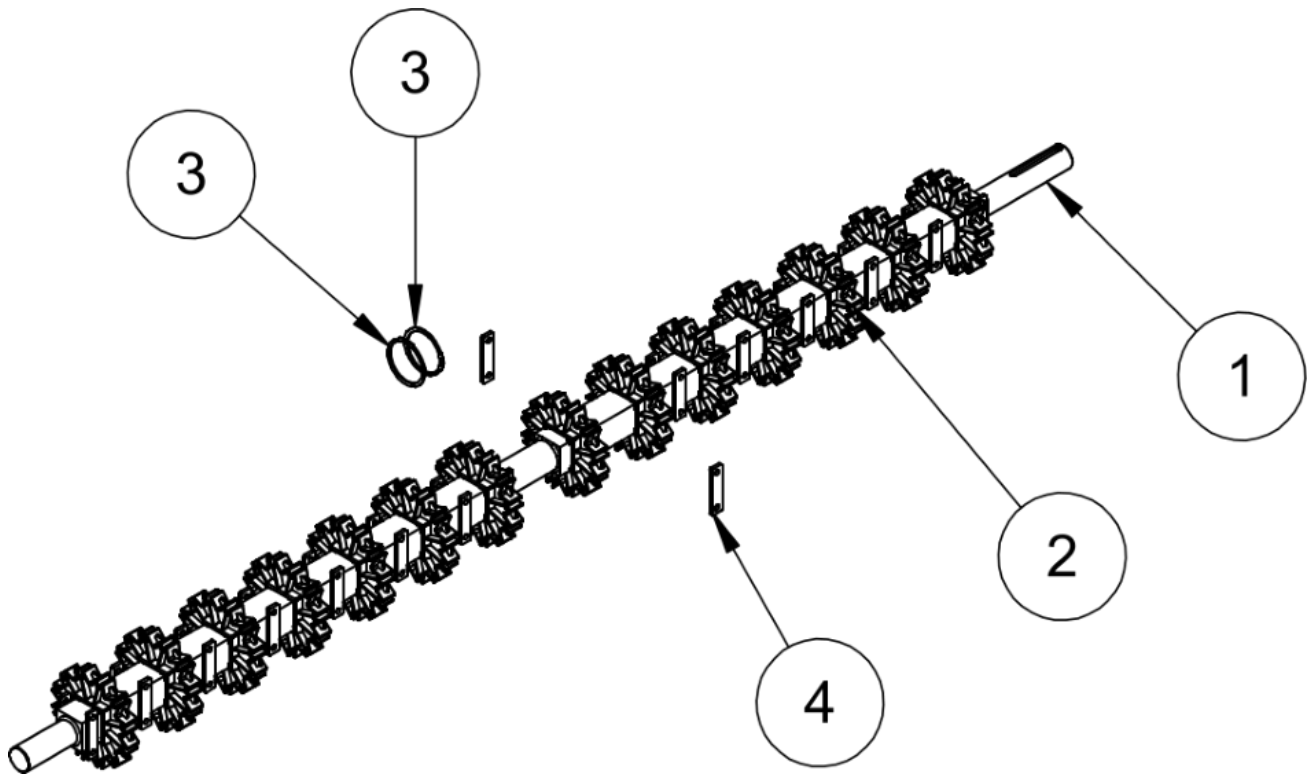
ITEM	PART NUMBER	DESCRIPTION	QTY	MODEL Or SERIAL #
1	091-25304L	RECIEVING CAGE FRAME (88" BACK OUTLET) (LEFT)	1	
	091-25304R	RECIEVING CAGE FRAME (88" BACK OUTLET) (RIGHT SIDE)	1	
2	091-21330	* COMPLETE DRIVE SHAFT ASSY FOR 88" BELT	1	
3	050-00020	SS SCROLL FOR 88" BELT	1	
4	030-00020	PILLOW BLOCK 1-15/16	4	
5	091-20263	CENTRAL DRIVE SHAFT BUSHING	2	
6	091-20264	CENTRAL BUSHING CAP	1	
7	030-00021	PILLOW BLOCK 1-7/16	8	
8	590-00024	IDLER ROLLER FOR 88" INTRALOX BELT	3	
9	091-21316	RECEIVING CAGE SUB-FRAME (88")	1	
11	030-00057	QD BUSHING (SF 1-15/16)	1	
14	690-00004	SPROCKET 60BS13 1-7/16" BORE	1	
15	690-00009	SPROCKET 60SF45	1	
16	690-00043	QD BUSHING (SF 1-7/16)	1	
18	450-00004	HYDRAULIC MOTOR	1	
19	690-00003	SPROCKET 60BS13 1-1/4" BORE	1	
20	110-00001	ROLLER CHAIN #60	6FT	
21	110-00001	ROLLER CHAIN #60	8FT	
	110-00002	MASTER LINK FOR #60 CHAIN	1	
	100-00003	HALF LINK FOR #60 CHAIN	1	
23	091-21352	SCROLL GUARD FOR 88" BELT	1	
24	050-00028	108" INTRALOX BELTIN	28FT	
26	091-21852	WIDENED RECIEVING CAGE DOOR	1	
27	091-20393	GATE HINGE PIN	2	
28	-	FLATWASHER	4	
29	-	HEX NUT NC (5/8")	4	
30	790-00261	COOPER BASKET GATE PIN	1	
31	091-21669	3-1/2" FOOT PAD	2	
32	091-21674	DOUBLE FOOT PAD FOR RECEIVING CAGE	2	
33	091-21319L	RECEIVING CAGE SUB-FRAME W DRIVE (LEFT SIDE)	1	
	091-21319R	RECEIVING CAGE SUB-FRAME W DRIVE (RIGHT SIDE)	1	
34	690-00011	SPROCKET 60SF60	1	
36	091-20558	HYD. MOTOR SUPPORT	1	
37	670-00009	COUNTER SHAFT 88" BELT	1	
38	REF	SCREW SET SQ HD CUP POINT	3	
39	REF	HEX JAM NUT NC	3	
40	091-21863L	GUARD FOR RECEIVING BELT (LEFT SIDE)	1	
	091-21863R	GUARD FOR RECEIVING BELT (RIGHT SIDE)	1	

* SEE NEXT PAGE FOR PARTS DETAIL



Cage Unloading System

COMPLETE DRIVE SHAFT ASSY 88" BELT (091-21330)



LEFT HAND SIDE SYSTEM SHOWN



Cage Unloading System

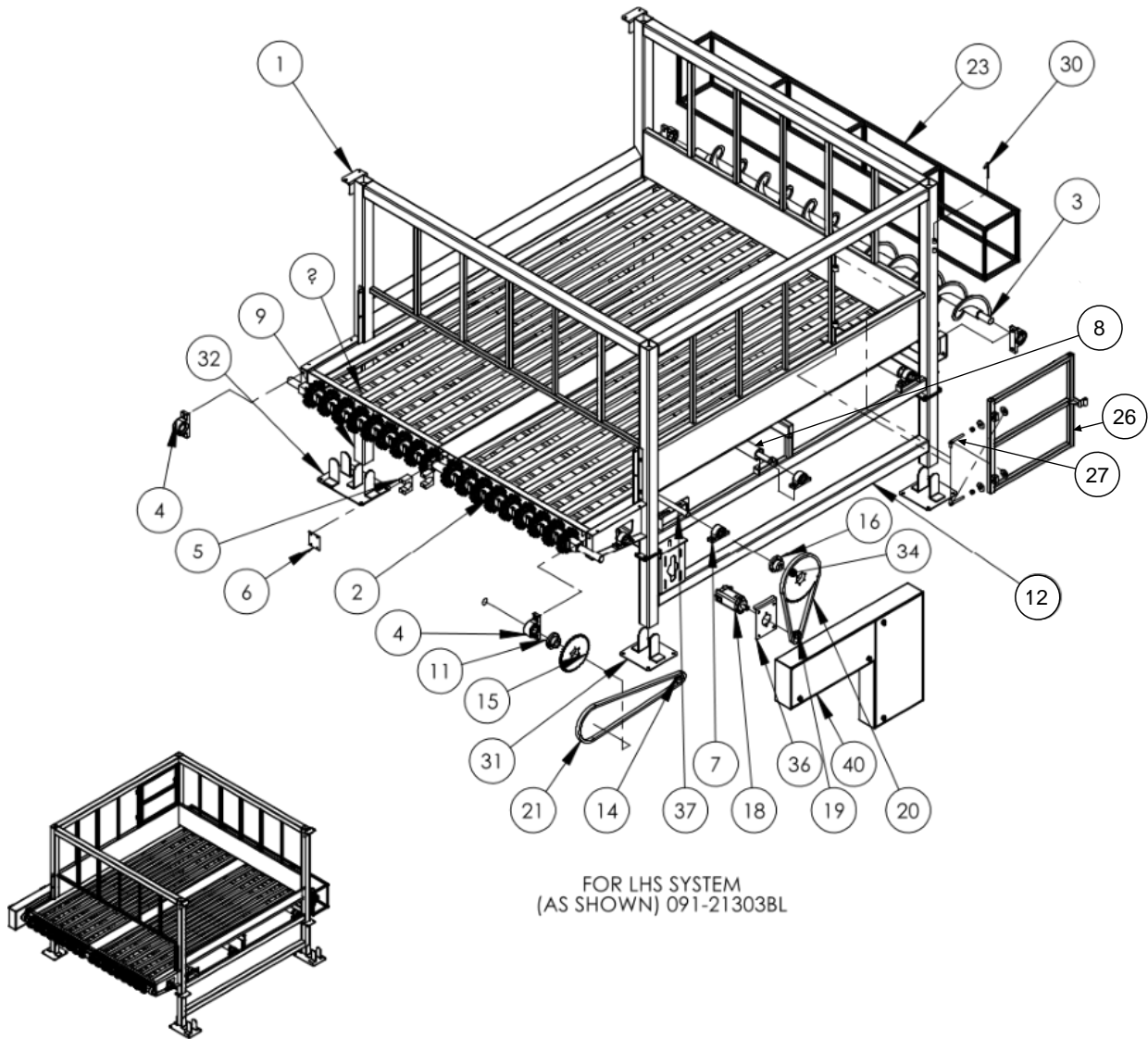
COMPLETE DRIVE SHAFT ASSY 88" BELT (091-21330)

ITEM	PART NUMBER	DESCRIPTION	QTY	MODEL Or SERIAL #
1	670-00028	RECIEVING CAGE (88") DRIVE SHAFT	1	
2	050-00071	7.7" INTRALOX SPROCKET	14	
3	050-00025	SS RETAINER RING FOR 2-1/2 INTRALOX SHAFT	2	
4	410-00025	SPROCKET RETAINER	30	



Cage Unloading System

108" BACK OUTLET RECEIVING BELT(091-21303B)



LEFT HAND SIDE SYSTEM SHOWN

ITEM	PART NUMBER	DESCRIPTION	QTY	MODEL Or SERIAL #
1	091-21318L	LEFT RECEIVING CAGE FRAME (108" BACK OUTLET)	1	
	091-21318R	RIGHT RECEIVING CAGE FRAME (108" BACK OUTLET)	1	
2	091-21331	* COMPLETE DRIVE SHAFT ASSEMBLY FOR 108" BELT	1	
3	050-00131	STN STL SCROLL FOR 108" BELT	1	
4	030-00020	PILLOW BLOCK 1-15/16"	4	
5	091-20263	CENTRAL DRIVE SHAFT BUSHING	2	



Cage Unloading System

108" BACK OUTLET (091-21303B)

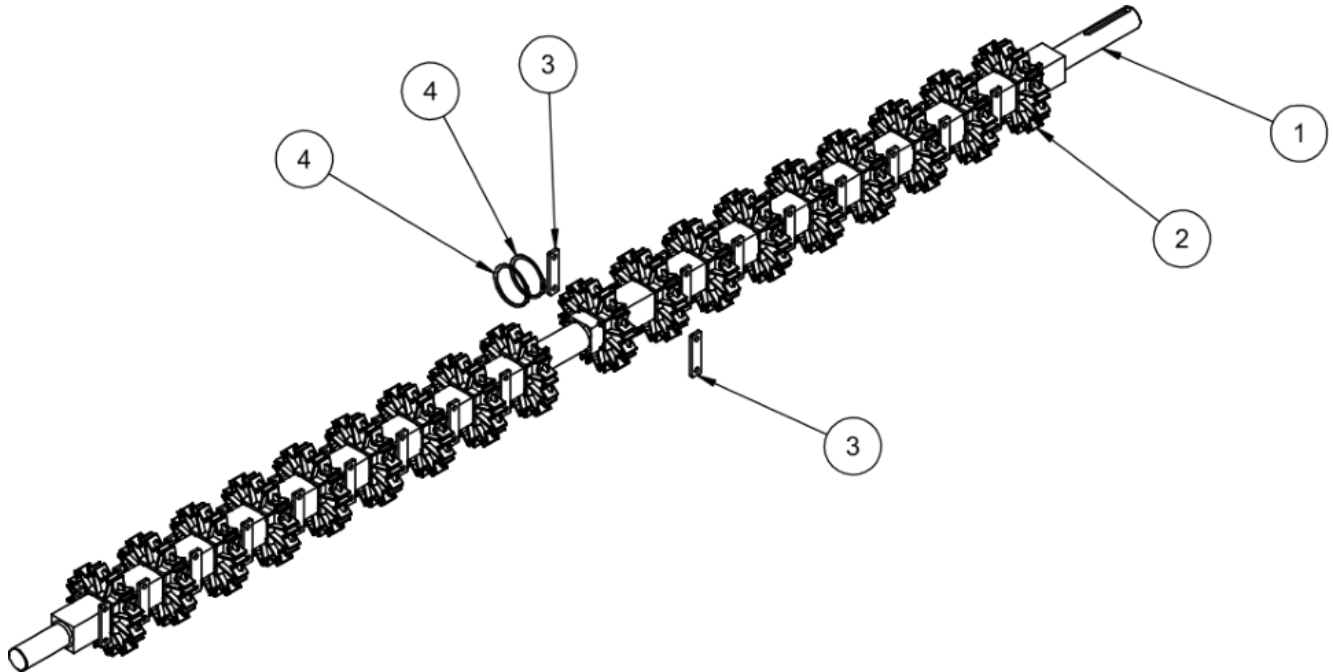
ITEM	PART NUMBER	DESCRIPTION	QTY	MODEL Or SERIAL #
6	091-20264	CENTRAL BUSHING CAP	1	
7	030-00021	PILLOW BLOCK 1-7/16"	8	
8	590-00062	IDLER ROLLER FOR 108" INTRALOX®	3	
9	091-21316	RECEIVING CAGE SUB-FRAME	1	
11	030-00057	QD BUSHING (SF 1-15/16")	1	
12	091-21311L	LEFT RECEIVING CAGE SUB-FRAME WITH DRIVE (88" BACK OUTLET)	1	
	091-21311R	RIGHT RECEIVING CAGE SUB-FRAME WITH DRIVE (88" BACK OUTLET)	1	
14	690-00004	SPROCKET 60BS13 1-7/16" BORE	1	
15	690-00009	SPROCKET 60SF45	2	
16	690-00043	QD BUSHING (SF 1-7/16")	1	
18	450-00004	HYDRAULIC MOTOR	1	
19	690-00003	SPROCKET 60BS13 1-1/4" BORE	1	
20	110-00001	ROLLER CHAIN #60	AS REQUIRED	
21	110-00001	ROLLER CHAIN #60	AS REQUIRED	
	110-00002	MASTER LINK FOR #60 CHAIN	1	
	100-00003	HALF LINK FOR #60 CHAIN	1	
23	091-21353	SCROLL GUARD FOR 108" BELT	1	
24	050-00130	108" SERIES 800 INTRALOX® BELTING (26FT)	1	
26	091-21852	RECEIVING CAGE DOOR	1	
27	091-20393	GATE HINGE PIN	2	
28		FLATWASHER (5/8")	4	
29		HEX NUT NC (5/8")	4	
30	790-00261	GATE PIN	1	
31	091-21669	3-1/2" FOOT PAD	2	
32	091-21674	DOUBLE FOOT PAD FOR RECEIVING CAGE	2	
34	410-00025	60SF60 SPROCKET		
35	670-00058	108" DRIVE SHAFT 2-1/2" SQ.		
36	050-00071	7.7" INTRALOX SPROCKET		
37	050-00140	108" INTRALOX BELT ROD	AS REQUIRED	
38	570-00050	FLIGHT EDGING	AS REQUIRED	
39	REF	HEX JAM NUT NC	3	
40	091-21863L	GUARD FOR RECEIVING BELT (LEFT SIDE)	1	
	091-21863R	GUARD FOR RECEIVING BELT (RIGHT SIDE)	1	

* SEE NEXT PAGE FOR PART DETAIL



Cage Unloading System

COMPLETE DRIVE SHAFT ASSY 108" BELT (091-21331)



LEFT HAND SIDE SYSTEM SHOWN



Cage Unloading System

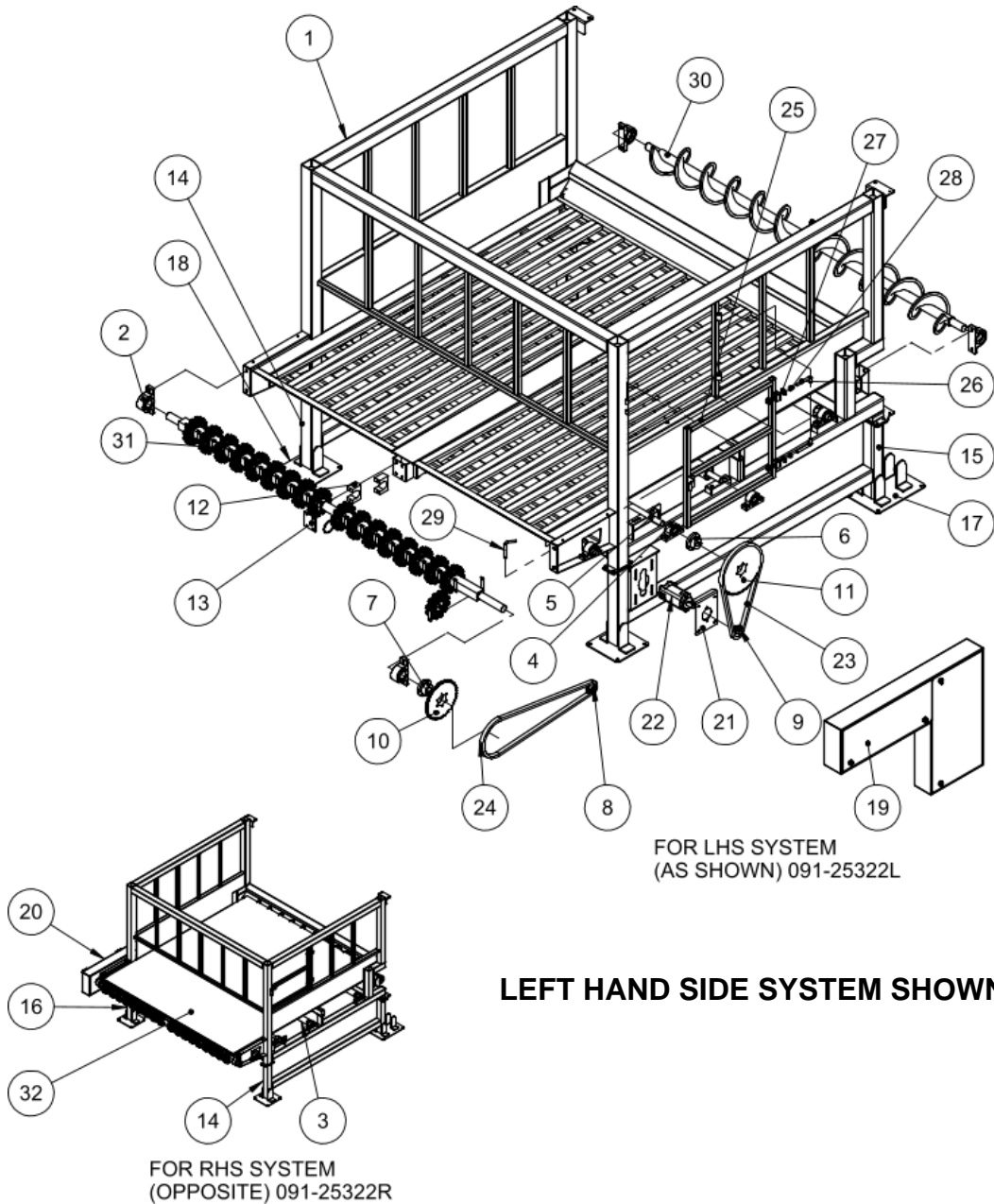
COMPLETE DRIVE SHAFT ASSY 108" BELT (091-21331)

ITEM	PART NUMBER	DESCRIPTION	QTY	MODEL Or SERIAL #
1	670-00058	RECIEVING CAGE (108") DRIVE SHAFT	1	
2	050-00071	7.7" INTRALOX SPROCKET	18	
3	410-00025	SPROCKET RETAINER	38	
4	050-00025	SS RETAINER RING FOR 2-1/2 INTRALOX SHAFT	2	



Cage Unloading System

108" RECEIVING WITH SIDE OUTLET (091-25322)





Cage Unloading System

108" RECEIVING WITH SIDE OUTLET (091-25322)

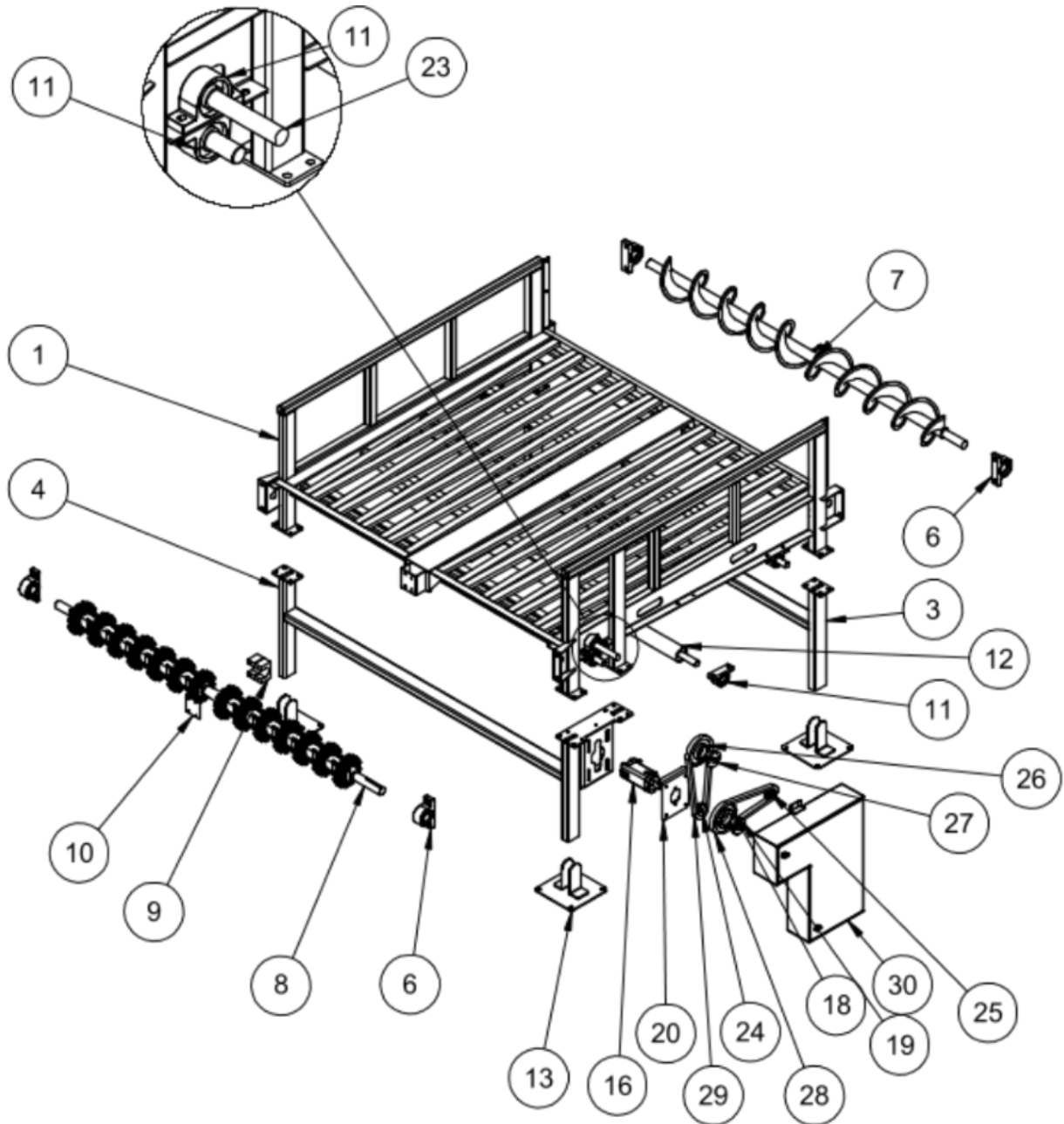
ITEM	PART NUMBER	DESCRIPTION	QTY	MODEL Or SERIAL #
1	091-25323	RECEIVING BELT FRAME WELDMENT 108" WIDE BELT AND SIDE OUTLET	1	
2	030-00020	PILLOW BLOCK 1-15/16	4	
3	590-00062	IDLER ROLLER FOR 108" INTRALOX	3	
4	030-00021	PILLOW BLOCK 1-7/16	8	
5	670-00060	COUNTER SHAFT 108" BELT	1	
6	690-00043	QD BUSHING (SF 1-7/16)	1	
7	030-00057	QD BUSHING (SF 1-15/16)	1	
8	690-00004	SPROCKET 60BS13 1-7/16" BORE	1	
9	690-00003	SPROCKET 60BS13 1-1/4" BORE	1	
10	690-00009	SPROCKET 60SF45	1	
11	690-00011	SPROCKET 60SF60	1	
12	091-20263	CENTRAL DRIVE SHAFT BUSHING	2	
13	091-20264	CENTRAL BUSHING CAP	1	
14	091-25324WO	RECEIVING BELT SUB-FRAME	1	
15	091-25324L	RECEIVING BELT SUB-FRAME W DRIVE (LEFT)	1	
16	091-25324R	RECEIVING BELT SUB-FRAME W DRIVE (RIGHT)	1	
17	091-21672.1	INNER FOOT PAD FOR 108" RECIEVING CAGE	2	
18	091-21669	3-1/2" FOOT PAD	2	
19	091-21863L	GUARD FOR RECEIVING BELT (LEFT)	1	
20	091-21863R	GUARD FOR RECEIVING BELT (RIGHT)	1	
21	091-20558	HYD. MOTOR SUPPORT	1	
22	450-00004	HYDRAULIC MOTOR	1	
23	110-00001	ROLLER CHAIN #60	6ft	
24	110-00001	ROLLER CHAIN #60	8ft	
	110-00002	MASTER LINK FOR #60 CHAIN	1	
	100-00003	HALF LINK FOR #60 CHAIN	1	
25	091-21852	WIDENED RECIEVING CAGE DOOR	1	
26	091-20393	GATE HINGE PIN	2	
27	REF.	FLATWASHER	4	
28	REF	HEX NUT NC	4	
29	790-00261	COOPER BASKET GATE PIN	1	
30	050-00131	STN STL SCROLL FOR 108" BELT	1	
31	091-21331	*COMPLETE DRIVE SHAFT ASSY FOR 108" BELT	1	
32	050-00130	108" INTRALOX BELTING	25ft	

*NOTE: FOR DETAILS SEE SECTION 6 - 8



Cage Unloading System

88" EXTENSION BELT ASSEMBLY (091-25308)
8 FOOT LONG



LEFT HAND SIDE DRIVE SHOWN



Cage Unloading System

88" EXTENSION BELT ASSEMBLY (091-25308) 8 FOOT LONG

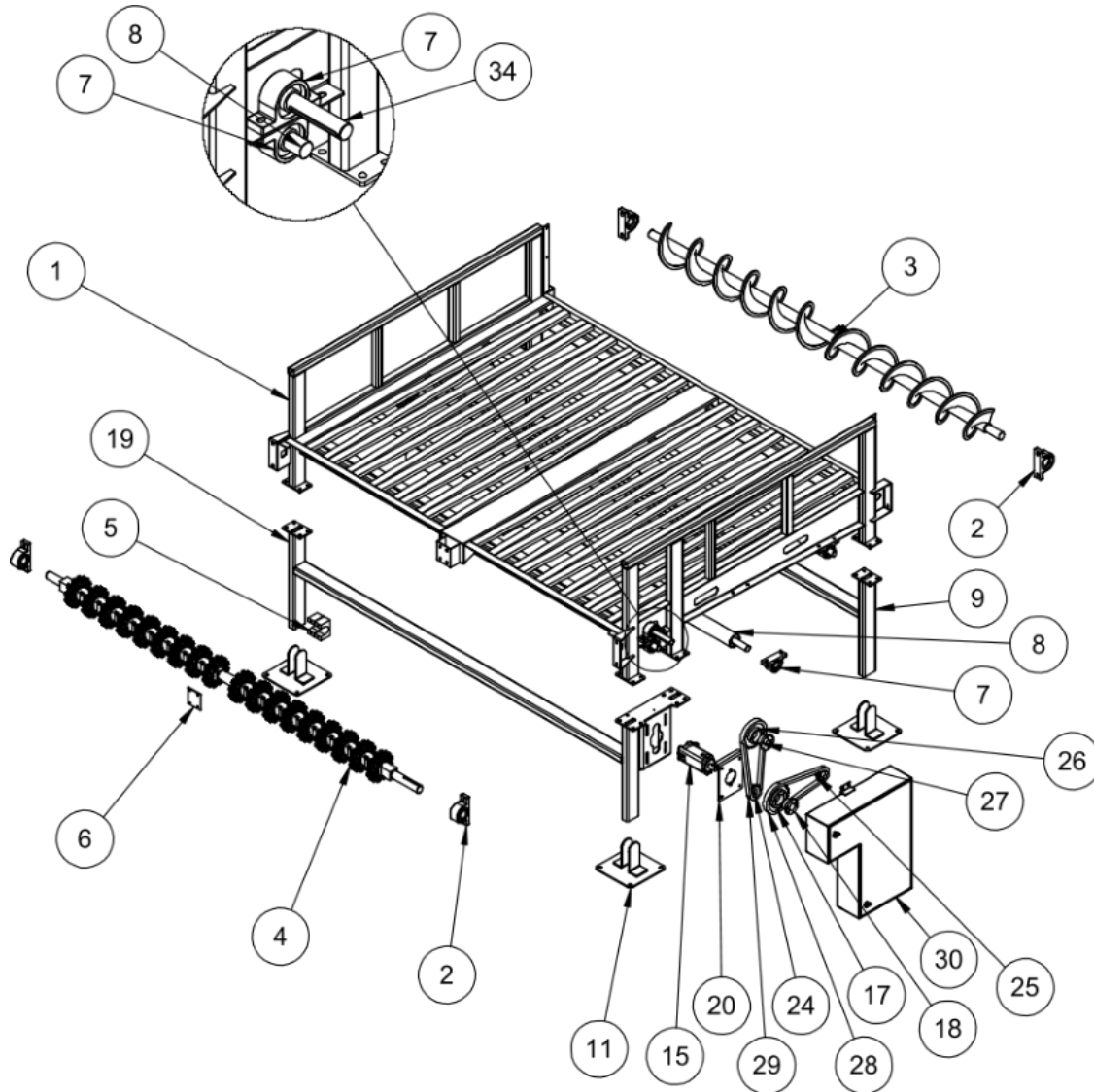
ITEM	PART NUMBER	DESCRIPTION	QTY	MODEL Or SERIAL #
1	091-25308L	88" BELT X 96" LG EXTENSION BELT FRAME WELDMT	1	
2	091-25308R	88" BELT X 96" LG EXTENSION BELT FRAME WELDMT	1	
3	091-25305	88" EXTENSION BELT SUBFRAME	1	
4	091-25305DL	88" EXTENSION CAGE SUBFRAME W DRIVE	1	
5	091-25305DR	88" EXTENSION CAGE SUBFRAME W DRIVE	1	
6	030-00020	PILLOW BLOCK 1-15/16	4	
7	050-00020	SS SCROLL FOR 88" BELT	1	
8	091-21330	*COMPLETE DRIVE SHAFT ASSY FOR 88" BELT	1	
9	091-20263	CENTRAL DRIVE SHAFT BUSHING	2	
10	091-20264	CENTRAL BUSHING CAP	1	
11	030-00021	PILLOW BLOCK 1-7/16	8	
12	590-00024	IDLER ROLLER FOR 88" INTRALOX BELT	3	
13	091-21675	FOOT PAD FOR EXTENSION CAGE	4	
14	050-00028	88" INTRALOX BELTING	20	
15	690-00005	SPROCKET 60BS15 1-7/16" BORE	1	
16	450-00004	HYDRAULIC MOTOR	1	
17	690-00044	SPROCKET 60BS15 1-1/4" BORE	1	
18	690-00015	SPROCKET 60SK30	1	
19	690-00060	QD BUSHING (SK 1-15/16)	1	
20	091-20558	HYD. MOTOR SUPPORT	1	
21	690-00006	SPROCKET 60SDS20	1	
22	690-00021	QD BUSHING (SDS 1-7/16)	1	
23	670-00009	COUNTER SHAFT 88" BELT	1	
24	690-00003	SPROCKET 60BS13 1-1/4" BORE	1	
25	690-00004	SPROCKET 60BS13 1-7/16" BORE	1	
26	690-00014	SPROCKET 60SK28	1	
27	690-00022	QD BUSHING (SK-1-7/16)	1	
28	110-00001	ROLLER CHAIN #60	AS REQUIRED	
29	110-00001	ROLLER CHAIN #60	AS REQUIRED	
	110-00002	MASTER LINK FOR #60 CHAIN	1	
	100-00003	HALF LINK FOR #60 CHAIN	1	
30	091-21864L	GUARD FOR EXTENSION BELT		
31	091-21864R	GUARD FOR EXTENSION BELT		

*NOTE: FOR DETAILS SEE SECTION 6 - 4



Cage Unloading System

**108" EXTENSION BELT (091-25306)
8 FOOT LONG**



LEFT HAND SIDE DRIVE SHOWN

ITEM	PART NUMBER	DESCRIPTION	QTY	MODEL Or SERIAL #
1	091-21373L	108" BELT X 96" LONG EXTENSION BELT FRAME WELDMENT (LEFT SIDE DRIVE)(SHOWN)	1	
	091-21373R	108" BELT X 96" LONG EXTENSION BELT FRAME WELDMENT (RIGHT SIDE DRIVE)	1	
2	030-00020	PILLOW BLOCK 1-15/16"	4	
3	050-00131	STN STL SCROLL FOR 108" BELT	1	
4	091-21331	* COMPLETE DRIVE SHAFT ASSEMBLY FOR 108" BELT	1	



Cage Unloading System

108" EXTENSION BELT (091-25306) 8 FOOT LONG

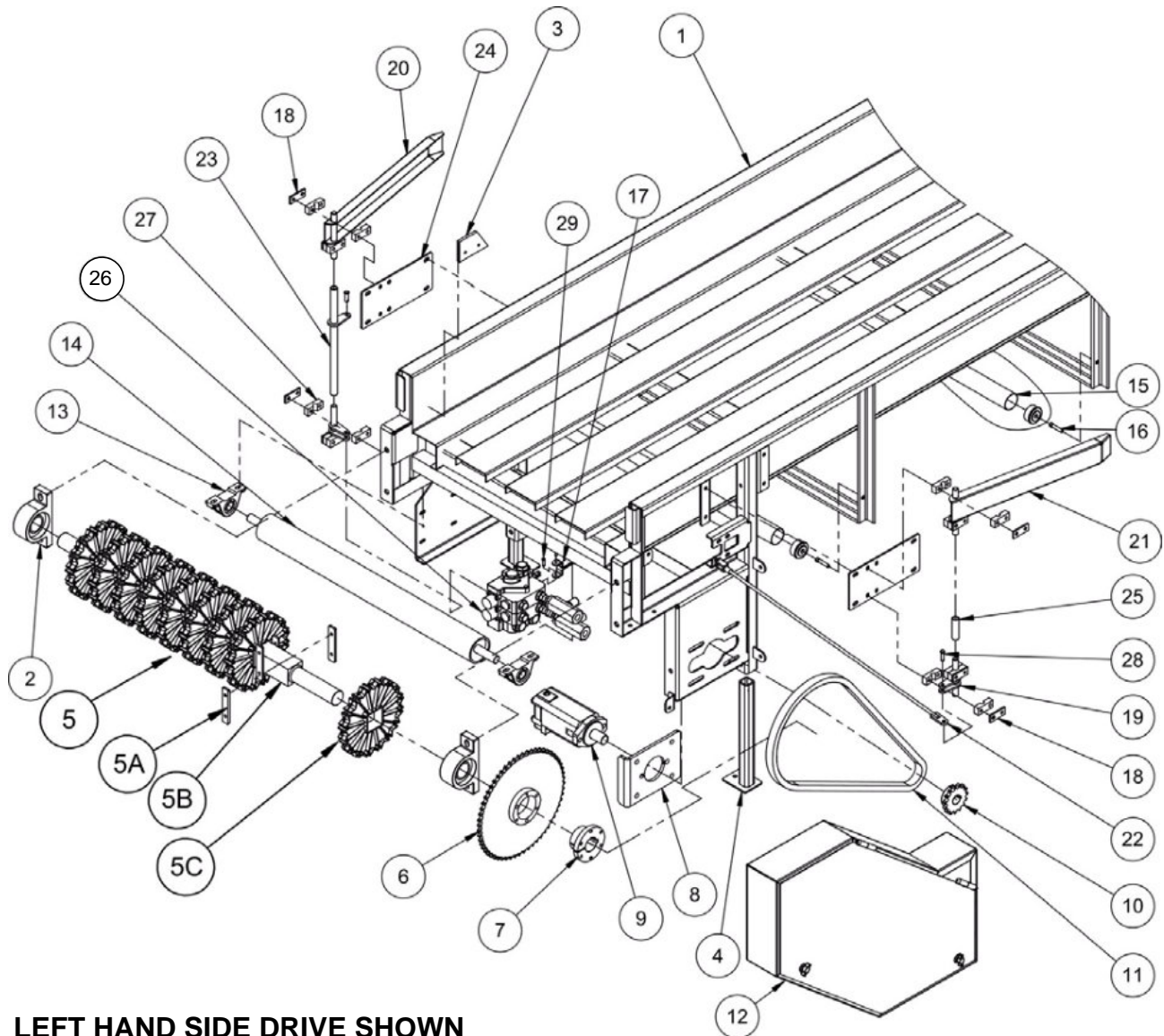
ITEM	PART NUMBER	DESCRIPTION	QTY	MODEL Or SERIAL #
1	091-25306L	108" BELT X 96" LG EXTENSION BELT FRAME WELDMT	1	
2	030-00020	PILLOW BLOCK 1-15/16	4	
3	050-00131	STN STL SCROLL FOR 108" BELT	1	
4	091-21331	* COMPLETE DRIVE SHAFT ASSY FOR 108" BELT	1	
5	091-20263	CENTRAL DRIVE SHAFT BUSHING	2	
6	091-20264	CENTRAL BUSHING CAP	1	
7	030-00021	PILLOW BLOCK 1-7/16	8	
8	590-00062	IDLER ROLLER FOR 108" INTRALOX	3	
9	091-25301	108" EXTENSION BELT SUBFRAME	1	
10	110-00001	ROLLER CHAIN #60	AS REQUIRED	
	110-00002	MASTER LINK FOR #60 CHAIN	1	
	100-00003	HALF LINK FOR #60 CHAIN	1	
11	091-21675	FOOT PAD FOR EXTENSION CAGE	4	
12	050-00130	108" INTRALOX BELTING	20ft	
13	690-00005	SPROCKET 60BS15 1-7/16" BORE * FOR (STRAIGHT IN CAGE)	1	
14	110-00001	ROLLER CHAIN #60	AS REQUIRED	
	110-00002	MASTER LINK FOR #60 CHAIN	1	
15	450-00004	HYDRAULIC MOTOR	1	
16	690-00044	SPROCKET 60BS15 1-1/4" BORE * FOR (STRAIGHT IN CAGE)	1	
17	690-00015	SPROCKET 60SK30	1	
18	690-00060	QD BUSHING (SK 1-15/16)	1	
19	091-25301DL	108" EXTENSION CAGE SUBFRAME W DRIVE	1	
20	091-20558	HYD. MOTOR SUPPORT	1	
21	690-00006	SPROCKET 60SDS20 * FOR (STRAIGHT IN CAGE)	1	
22	690-00021	QD BUSHING (SDS 1-7/16) * FOR (STRAIGHT IN CAGE)	1	
24	690-00003	SPROCKET 60BS13 1-1/4" BORE	1	
25	690-00004	SPROCKET 60BS13 1-7/16" BORE	1	
26	690-00014	SPROCKET 60SK28	1	
27	690-00022	QD BUSHING (SK-1-7/16)	1	
28	110-00001	ROLLER CHAIN #60	AS REQUIRED	
29	110-00001	ROLLER CHAIN #60	AS REQUIRED	
	110-00002	MASTER LINK FOR #60 CHAIN	1	
	100-00003	HALF LINK FOR #60 CHAIN	1	
30	091-21864L	GUARD FOR EXTENSION BELT (2015 & UP)	1	
32	091-25301DR	108" EXTENSION CAGE SUBFRAME W DRIVE	1	
33	091-21864R	GUARD FOR EXTENSION BELT (2015 AND UP)	1	
34	091-25329	COUNTER SHAFT 108" EXTENSION BELT	1	

*NOTE: FOR DETAILS SEE SECTION 6 - 8



Cage Unloading System

STANDARD DRIVE END ASSEMBLY (091-21360)



LEFT HAND SIDE DRIVE SHOWN

ITEM	PART NUMBER	DESCRIPTION	QTY	MODEL Or SERIAL #
1	091-21324	HANGING BELT DRIVE END WELDMENT (36" SHOWN)	1	
2	030-00020	PILLOW BLOCK 1015/16"	2	
3	091-20761	PLASTIC PLATE	2	
4	091-21328	HANGING BELT FOOT	4	
5	091-21332.2	36" DRIVE SHAFT ASSEMBLY = (ITEMS 5A, 5B, & 5C)	1	
	091-21332.1	24" DRIVE SHAFT ASSEMBLY = (ITEMS 5A, 5B, & 5C)	1	
	091-21332.3	48" DRIVE SHAFT ASSEMBLY = (ITEMS 5A, 5B, & 5C)	1	



Cage Unloading System

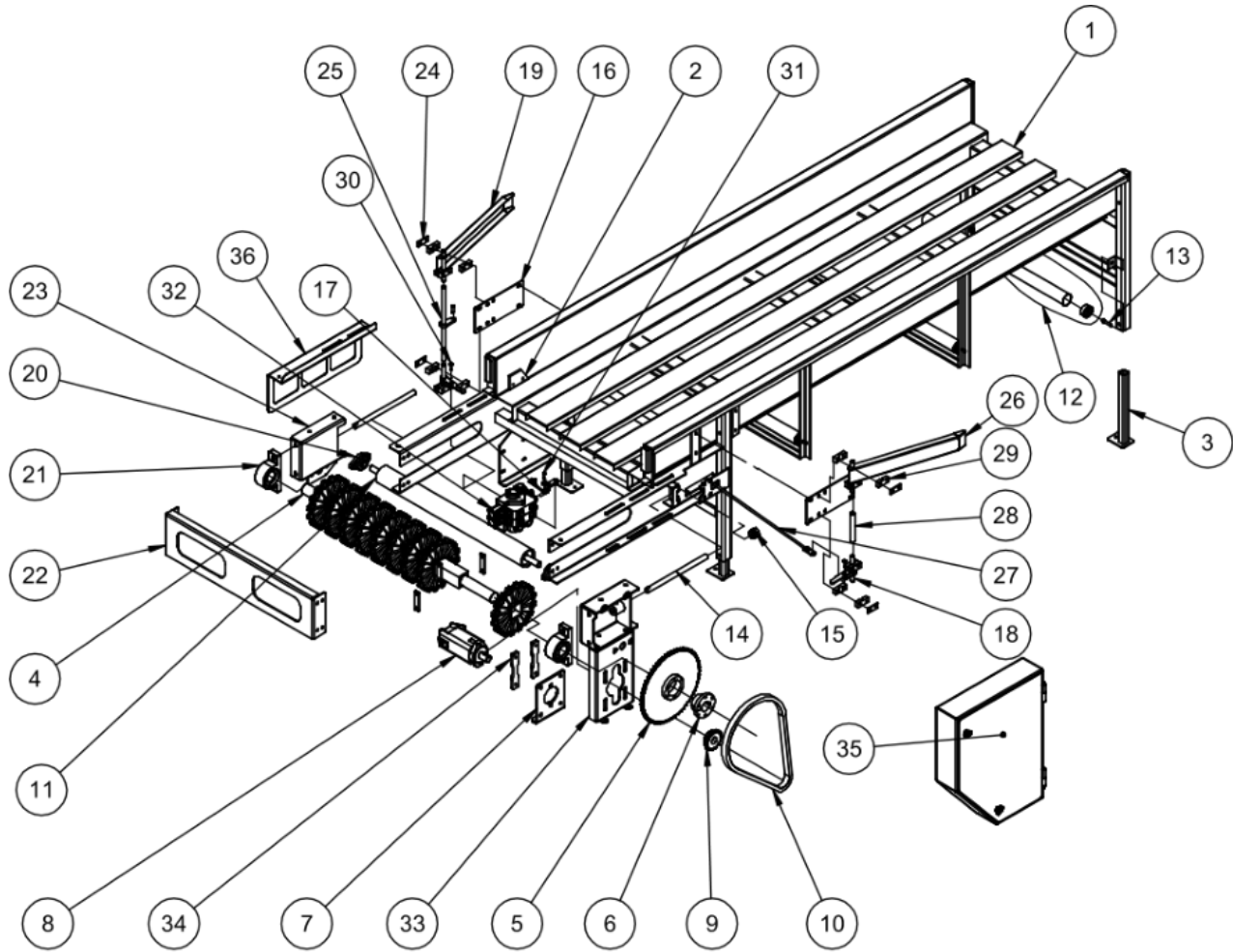
STANDARD DRIVE END ASSEMBLY (091-21360)

ITEM	PART NUMBER	DESCRIPTION	QTY	MODEL Or SERIAL #
5A	410-00025	SPROCKET RETAINER	AS REQUIRED	
5B	670-00030	36" DRIVE SHAFT	1	
	670-00029	24" DRIVE SHAFT	1	
	670-00032	48" DRIVE SHAFT	1	
5C	050-00073	10.3 INTRALOX SPROCKET, 2 1/2" SQUARE BORE	AS REQUIRED	
6	690-00011	SPROCKET 60SF60	1	
7	030-00057	QD BUSHING (SF 1-15/16")	1	
8	091-20762	MOTOR PLATE	1	
9	450-00004	HYDRAULIC MOTOR	1	
10	690-00044	SPROCKET 60BS15 1-1/4" BORE	1	
11	110-00001	ROLLER CHAIN #60	AS REQUIRED	
	110-00002	MASTER LINK FOR #60 CHAIN	1	
12	091-21364L	DRIVE CHAIN GUARD ASSEMBLY (LEFT SIDE DRIVE)	1	
	091-21364R	DRIVE CHAIN GUARD ASSEMBLY (RIGHT SIDE DRIVE)	1	
13	030-00023	1" PILLOW BLOCK	2	
14	590-00052	36" SNUG ROLLER ASSEMBLY	1	
	590-00051	24" SNUG ROLLER ASSEMBLY	1	
	590-00053	48" SNUG ROLLER ASSEMBLY	1	
15	590-00004	36" COMPLETE CONDUIT ROLLER 36" SS BELT (SEE PAGE 6-19, FOR OTHER LENGTHS)	3	
16	590-00022	BALL STUD KIT (STUD, 2 NUTS, 2 LOCK WASHERS)	6	
17	091-21369	DOUBLE LINK ASSEMBLY	1	
18	091-20801	UHMW BEARING CAP	8	
19	091-21366	LOWER CRANK SHAFT ASSEMBLY	2	
20	091-21375R	CONTROL LEVER ASSEMBLY	1	
21	091-21375L	CONTROL LEVER ASSEMBLY	1	
22	091-21387	CONNECTION ROD FOR HANGING BELT	1	
23	091-21386	CONNECTOR PIPE WITH CRANK	1	
24	091-20872	VALVE LEVER PLATE	2	
25	091-20915	SHORT CONNECTOR PIPE	1	
26	810-00084	2 SECTION VALVE ASSEMBLY (SEE SECTION 10)	1	
27	091-20996	TWO PIECE UHMW BEARING (TWO HALVES)	8	
28	210-00860	3/8" X 1-1/4" CLEVIS PIN	3	
29	210-00847	1/4" X 1" CLEVIS PIN	2	
	050-00031	36" SERIES 800 INTRALOX® BELTING	AS REQUIRED	
	050-00032	24" SERIES 800 INTRALOX® BELTING	AS REQUIRED	
	050-00029	48" SERIES 800 INTRALOX® BELTING	AS REQUIRED	



Cage Unloading System

DRIVE END TAKE UP ASSEMBLY (091-21376)



LEFT SIDE DRIVE (091-21376L) IS SHOWN

RIGHT SIDE DRIVE (091-21376R) IS OPPOSITE

ITEM	PART NUMBER	DESCRIPTION	QTY	MODEL Or SERIAL #
1	091-21377L	DRIVE END TAKE UP WELDMENT (36" SHOWN)	1	
2	091-20761	PLASTIC PLATE	1	
	091-20761L	PLASTIC PLATE	2	
3	091-21328	HANGING BELT FOOT	4	
4	091-21332.2	* 36" DRIVE SHAFT ASSEMBLY (DETAIL SECTION 6 - 18)	1	
5	690-00011	SPROCKET 60SF60	1	
6	030-00057	QD BUSHING (SF 1-15/16")	1	



Cage Unloading System

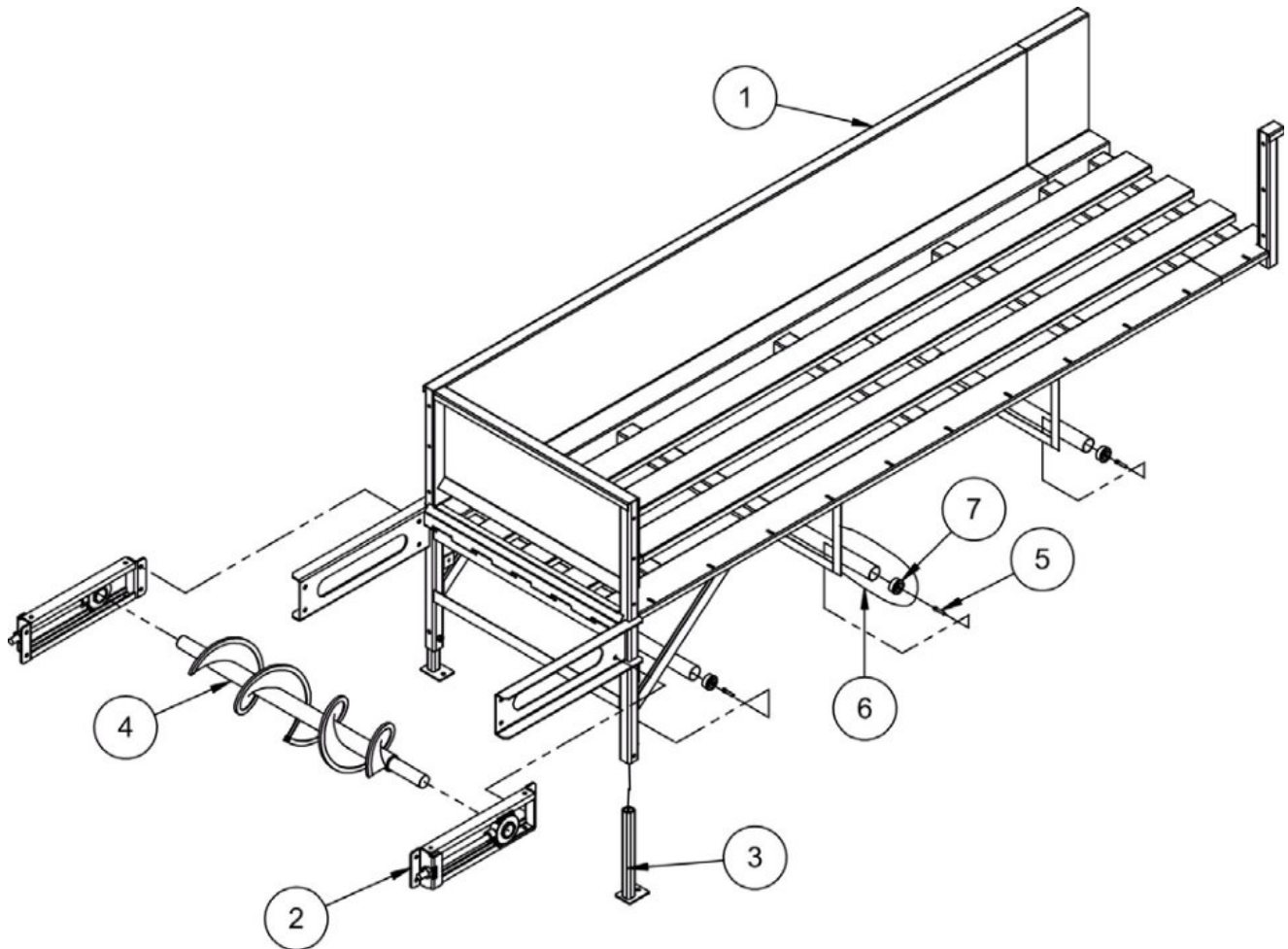
DRIVE END TAKE UP ASSEMBLY (091-21376)

ITEM	PART NUMBER	DESCRIPTION	QTY	MODEL Or SERIAL #
7	091-20762	MOTOR PLATE	1	
8	450-00004	HYDRAULIC MOTOR	1	
9	690-00044	SPROCKET 60BS15 1-1/4" BORE	1	
10	110-00001	ROLLER CHAIN #60	AS REQUIRED	
	110-00002	MASTER LINK FOR #60 CHAIN	1	
11	590-00052	SNUB ROLLER ASSEMBLY	1	
12	590-00004	36" COMPLETE CONDUIT ROLLER 36" SS BELT	3	
13	590-00022	BALL STUD KIT	6	
14	410-00027	TAKE-UP ROD (7/8"-9 X 15" LG)	2	
15	210-00210	TAKE-UP NUT	2	
16	091-20872	VALVE LEVER PLATE	2	
17	091-21369	DOUBLE LINK ASSEMBLY	1	
18	091-21366	LOWER CRANK SHAFT ASSEMBLY	2	
19	091-21375R	CONTROL LEVER ASSEMBLY	1	
20	030-00044	FLANGE BEARING 1"	2	
21	030-00020	PILLOW BLOCK 1-15/16"	2	
22	091-20870	END STIFFNER PLATE	1	
23	091-21382L	IDLER SLIDE PLATE (LEFT SIDE DRIVE)	1	
	091-21382R	IDLER SLIDE PLATE (RIGHT SIDE DRIVE)	1	
24	091-20801	UHMW BEARING CAP	8	
25	091-21388	CONNECTOR PIPE FOR DRIVE END TAKE UP	1	
26	091-21375L	CONTROL LEVER ASSEMBLY	1	
27	091-21387	CONNECTING ROD FOR HANGING BELT	1	
28	091-20909	VALVE ROTATOR PIPE FOR DRIVE END TAKE UP	1	
29	091-20996	TWO PIECE UHMW BEARING (TWO HALVES)	16	
30	210-00860	3/8" X 1-1/4" CLEVIS PIN	3	
31	210-00847	1/4" X 1" CLEVIS PIN	2	
32	810-00084	2 SECTION VALVE ASSEMBLY (SEE SECTION 10)	1	
33	091-21381NL	MOTOR SLIDE PLATE (LEFT SIDE DRIVE) HYD ONLY	1	
	091-21381NR	MOTOR SLIDE PLATE (RIGHT SIDE DRIVE) HYD ONLY	1	
34	091-24273	THREADED FLAT BAR	2	
35	091-21857L	DRIVE END TAKE UP GUARD (RAISED)	1	
	091-21857R	DRIVE END TAKE UP GUARD (RAISED)	1	
36	091-00643L	HANGING BELT SIDE SHEILD	1	
	091-00643R	HANGING BELT SIDE SHEILD	1	



Cage Unloading System

SIDE FEED IDLER END (091-21363)
"PUSHING BIRDS IN"





Cage Unloading System

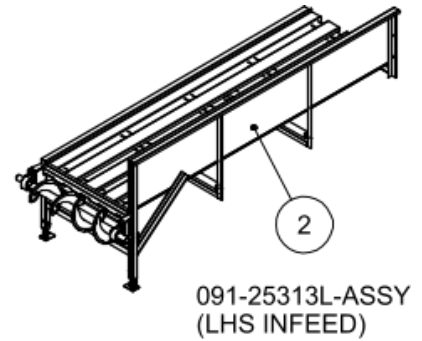
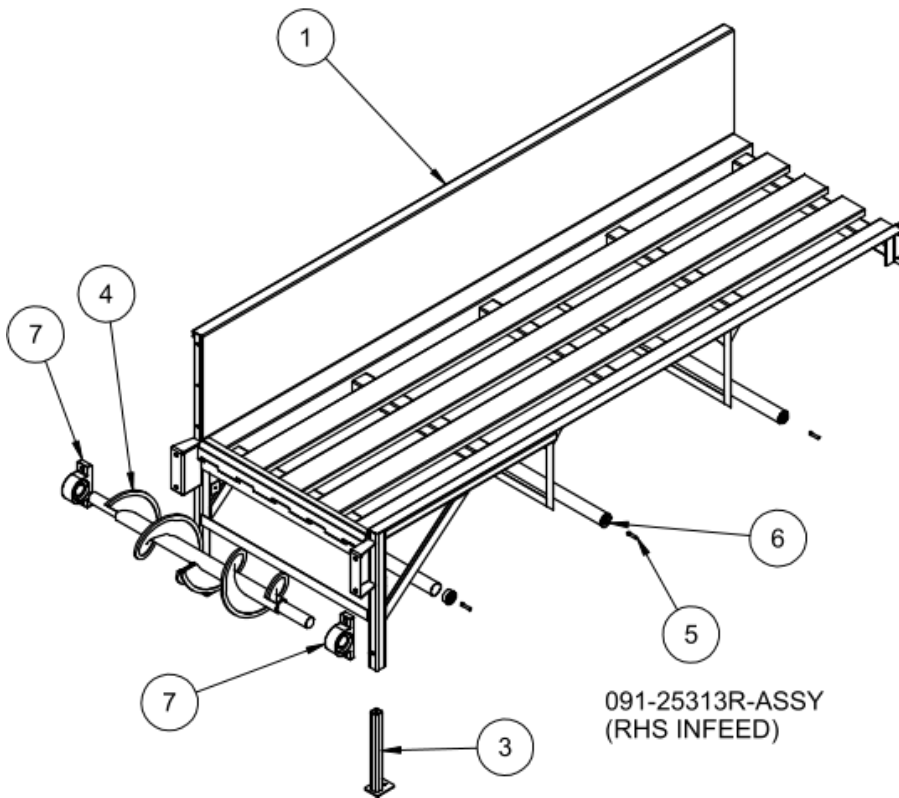
SIDE FEED IDLER END (091-21363) "PUSHING BIRDS IN"

ITEM	PART NUMBER	DESCRIPTION	QTY	MODEL Or SERIAL #
1	091-21327R	SIDE FEED IDLER END WELDMENT (RIGHT EXIT HANGING BELT) (SHOWN)	1	
	091-21327L	SIDE FEED IDLER END WELDMENT (LEFT EXIT HANGING BELT)	1	
2	091-21320	TAKE-UP ASSEMBLY -25" LONG	2	
3	091-21328	HANGING BELT FOOT	2	
4	050-00018	24" SCROLL	1	
	050-00019	36" SCROLL	1	
	050-00017	48" SCROLL	1	
5	590-00022	BALL STUD KIT	6	
6	590-00004	36" COMPLETE CONDUIT ROLLER 36" SS BELT	3	
	590-00008	24" COMPLETE CONDUIT ROLLER 24" SS BELT	3	
	590-00054	48" COMPLETE CONDUIT ROLLER 48" SS BELT	3	
7	590-00055	2" EMT BEARING	6	



Cage Unloading System

SIDE FEED IDLER END ASSEMBLY (091-25313)
"DROPPING BIRDS IN"





Cage Unloading System

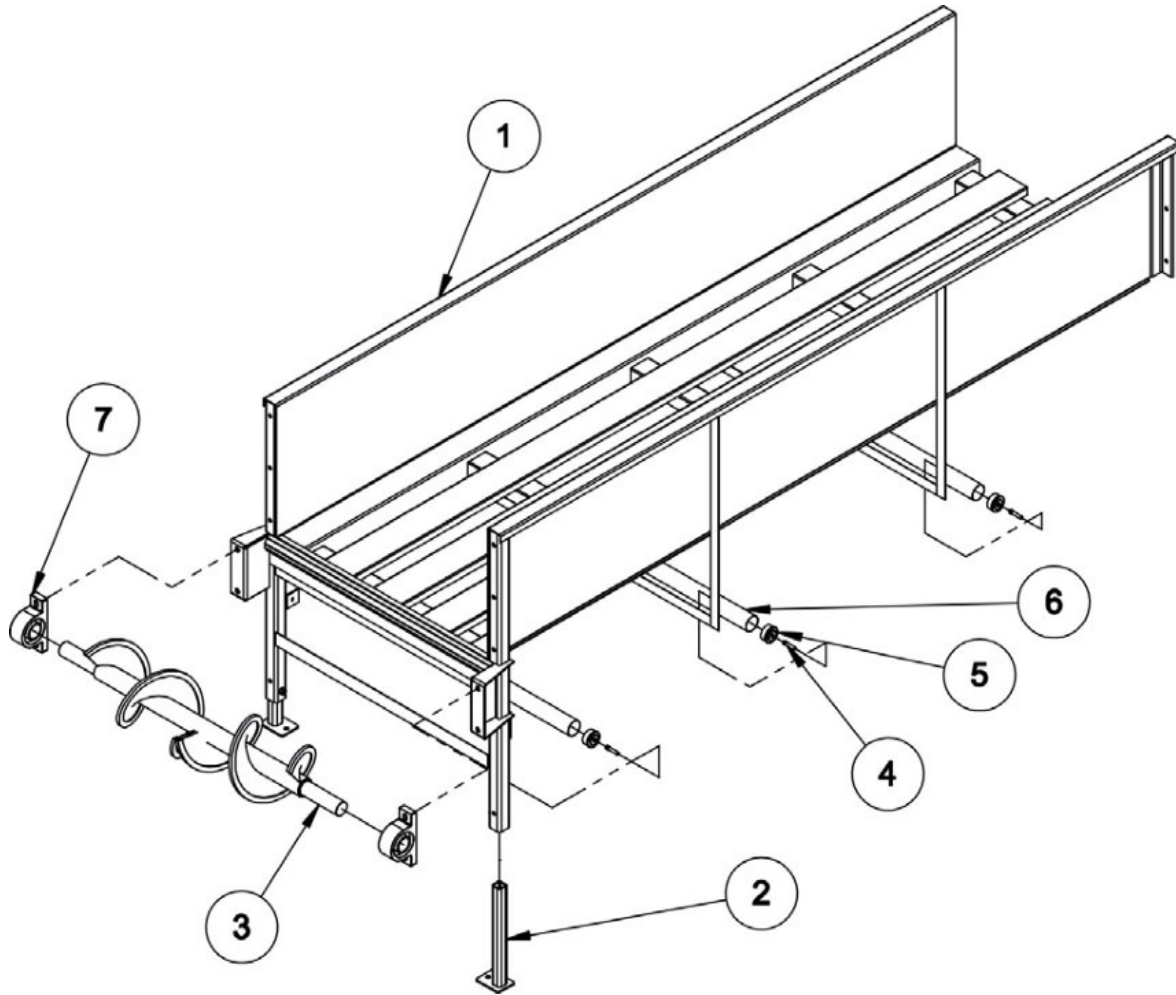
SIDE FEED IDLER END ASSEMBLY (091-25313) "DROPPING BIRDS IN"

ITEM	PART NUMBER	DESCRIPTION	QTY	MODEL Or SERIAL #
1	091-21313R	RHS SIDE FEED IDLER END WELDMENT	1	
2	091-21313L	LHS SIDE FEED IDLER END WELDMENT	1	
3	091-21328	HANGING BELT FOOT	2	
4	050-00019	36" SCROLL	1	
5	590-00022	BALL STUD KIT	6	
6	590-00004	36" COMPLETE CONDUIT ROLLER 36" SS BELT	3	
7	030-00020	PILLOW BLOCK 1-15/16	2	



Cage Unloading System

END FEED IDLER END (091-21379)





Cage Unloading System

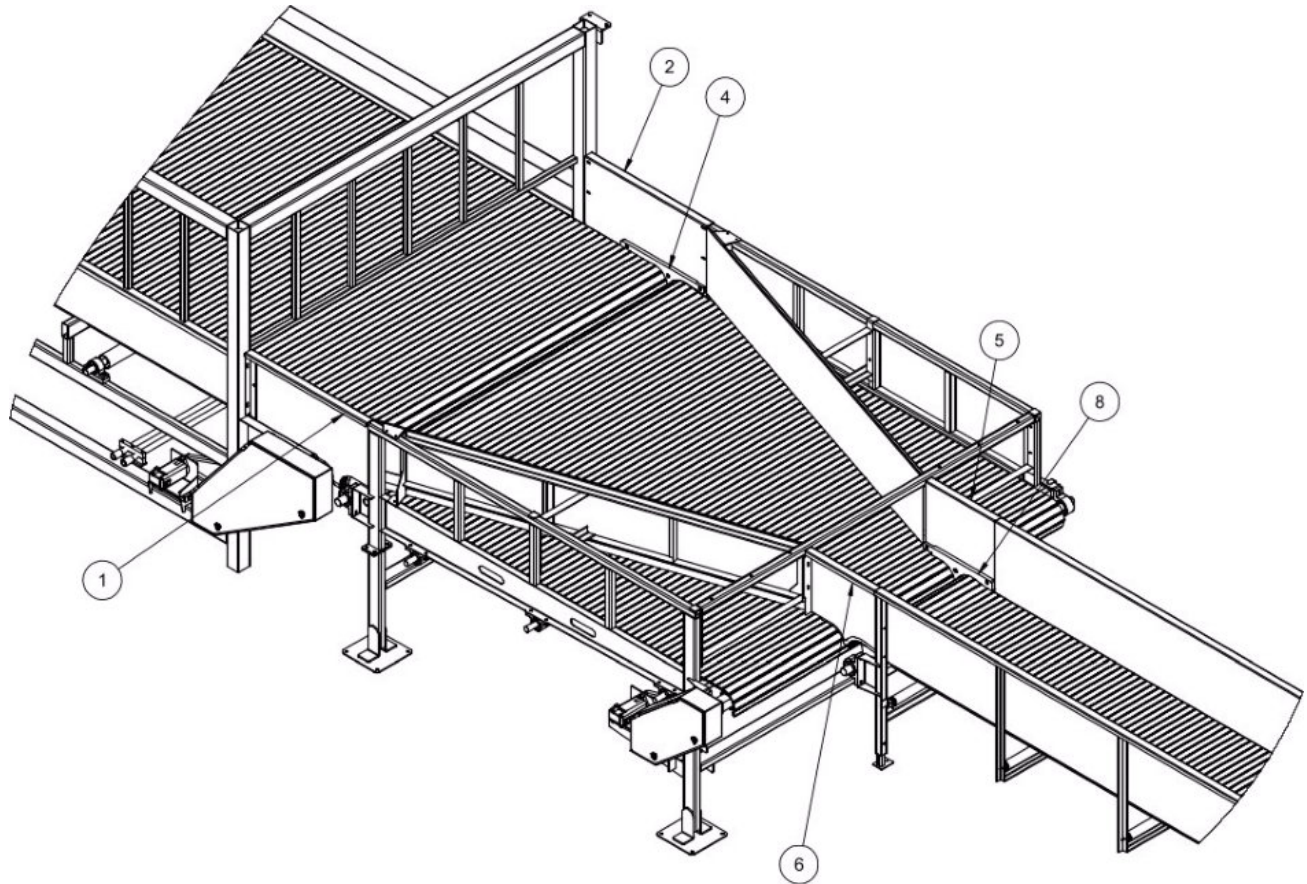
END FEED IDLER END (091-21379)

ITEM	PART NUMBER	DESCRIPTION	QTY	MODEL Or SERIAL #
1	091-21380	END FEED IDLER END WELDMENT (36" SHOWN)	1	
2	091-21328	HANGING BELT FOOT	2	
3	050-00018	24" SCROLL	1	
	050-00019	36" SCROLL	1	
	050-00017	48" SCROLL	1	
4	590-00022	BALL STUD KIT	6	
5	590-00055	2" EMT BEARING	6	
6	590-00004	COMPLETE CONDUIT ROLLER 36" SS BELT	3	
	590-00008	COMPLETE CONDUIT ROLLER 24" SS BELT	3	
	590-00054	COMPLETE CONDUIT ROLLER 48" SS BELT	3	
7	030-00020	PILLOW BLOCK 1-15/16"	2	



Cage Unloading System

BELT INTERFACE (END FEED HANGING BELT)





Cage Unloading System

BELT INTERFACE (END FEED HANGING BELT)

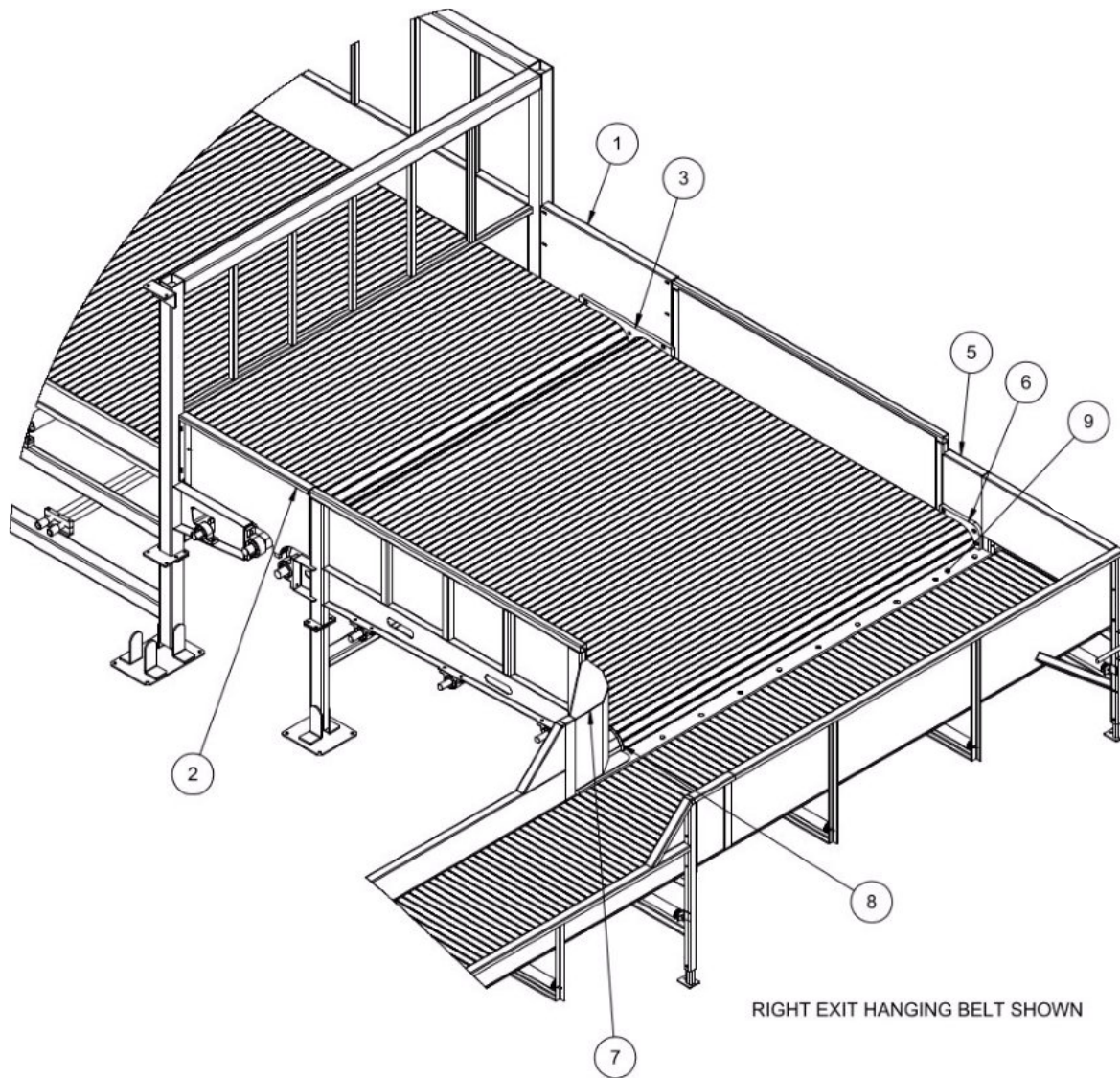
ITEM	PART NUMBER	DESCRIPTION	QTY	MODEL Or SERIAL #
1	091-00474R	RECEIVING/EXTENSION INTERFACE FOR 24" HEADER	1	
2	091-00474L	RECEIVING/EXTENSION INTERFACE FOR 24" HEADER	1	
3	091-00425BR	* PLASTIC INTERFACE PANEL FOR SHEARS	1	
4	091-00425BL	PLASTIC INTERFACE PANEL FOR SHEARS	1	
5	091-00475L	EXTENSION/HANGING INTERFACE PANEL	1	
6	091-00475R	EXTENSION/HANGING INTERFACE PANEL	1	
7	091-00410R	PLASTIC FOR EXTENSION/HANGING INTERFACE	1	
8	091-00410L	PLASTIC FOR EXTENSION/HANGING INTERFACE	1	
9	091-00486	RUBBER STRIPPING (PER FOOT)		

NOTE: * NOT SHOWN.



Cage Unloading System

**BELT INTERFACE (SIDE FEED HANGING BELT)
"PUSHING BIRDS IN"**





Cage Unloading System

BELT INTERFACE (SIDE FEED HANGING BELT) "PUSHING BIRDS IN"

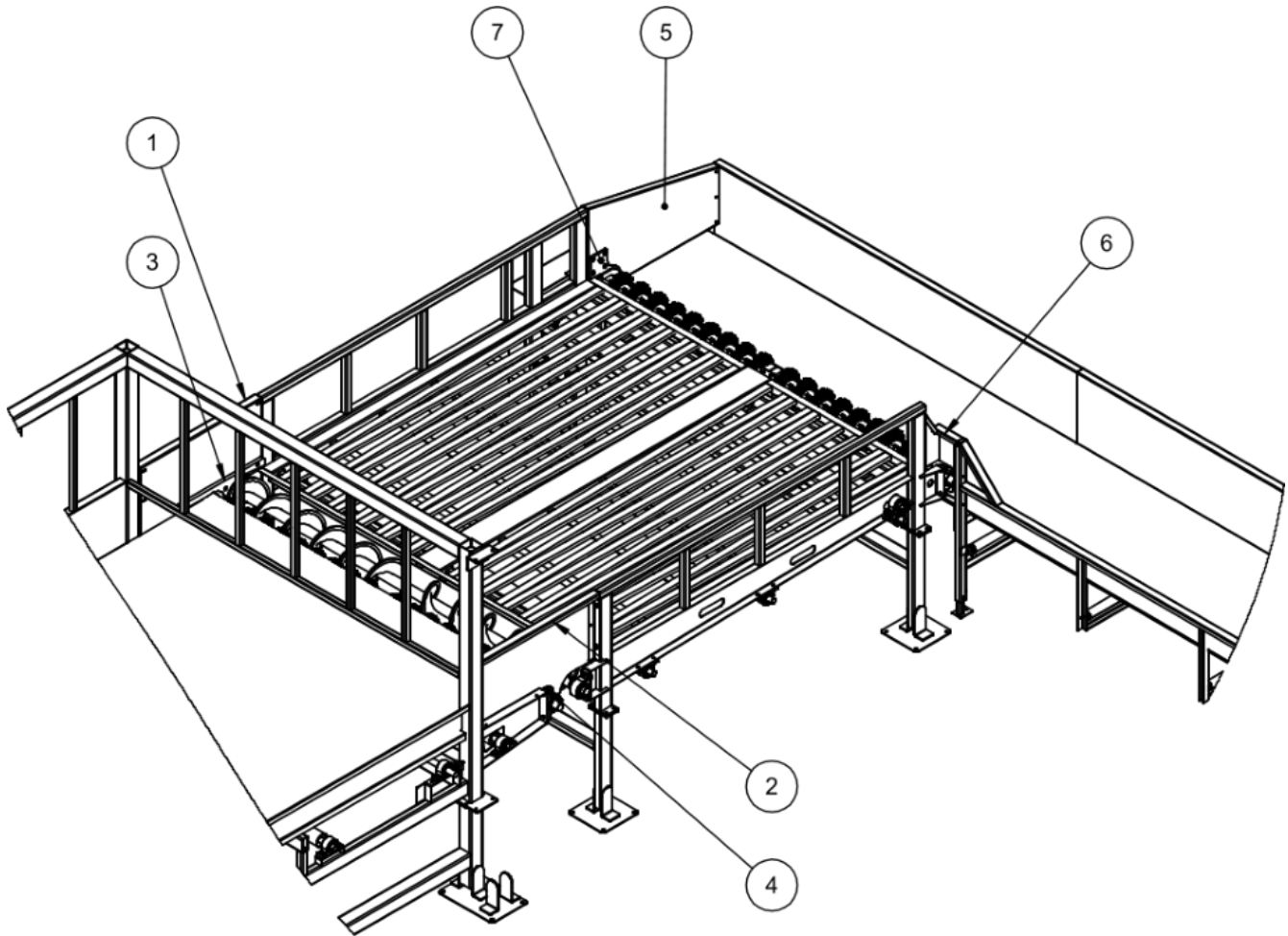
ITEM	PART NUMBER	DESCRIPTION	QTY	MODEL Or SERIAL #
1	091-00474L	RECIEVING/EXTENSION INTERFACE FOR 24" HEADER	1	
2	091-00474R	RECIEVING/EXTENSION INTERFACE FOR 24" HEADER	1	
3	091-00425L	PLASTIC INTERFACE PANEL	1	
4	091-00425R	PLASTIC INTERFACE PANEL (NOT VISIBLE)	1	
5	091-00426R	UPSTREAM END PANEL (RIGHT EXIT HANGING BELT)	1	
	091-00426L	UPSTREAM END PANEL (LEFT EXIT HANGING BELT)	1	
6	091-00430R	PLASTIC INTERFACE PANEL (RIGHT EXIT HANGING BELT)	1	
	091-00430L	PLASTIC INTERFACE PANEL (LEFT EXIT HANGING BELT)	1	
7	091-00428R	EXTENSION CAGE TO HANGING BELT BUMPER (RIGHT EXIT HANGING BELT)	1	
	091-00428L	EXTENSION CAGE TO HANGING BELT BUMPER (LEFT EXIT HANGING BELT)	1	
8	091-00431R	PLASTIC PLATE FOR CORNER (RIGHT EXIT HANGING BELT)	1	
	091-00431L	PLASTIC PLATE FOR CORNER (LEFT EXIT HANGING BELT)	1	
9	091-00427	PLASTIC STRIP		

NOTE: The left/right configuration of the interface plates for a side feed hanging belt is determined by the direction the hanging belt exits from the extension cage. If facing in the direction of travel of the extension cage and the hanging belt exits to the right as shown in the view, it is a right exit hanging belt and uses right parts. If it exits to the left, it uses left parts.



Cage Unloading System

**BELT INTERFACE (SIDE FEED HANGING BELT)
"DROPPING BIRDS IN"**





Cage Unloading System

BELT INTERFACE (SIDE FEED HANGING BELT) "DROPPING BIRDS IN"

ITEM	PART NUMBER	DESCRIPTION	QTY	MODEL Or SERIAL #
1	091-00474L	RECEIVING/EXTENSION INTERFACE FOR 24" HEADER	1	
2	091-00474R	RECEIVING/EXTENSION INTERFACE FOR 24" HEADER	1	
3	091-00425L	PLASTIC INTERFACE PANEL	1	
4	091-00425R	PLASTIC INTERFACE PANEL	1	
5	091-25315R	HANGING BELT BACK PANEL WELDMENT	1	
6	091-25314R	INTERFACE CORNER	1	
7	091-24119R	UHMW INTERFACE PLASTIC (RIGHT HAND SIDE)	1	
	091-24119L	UHMW INTERFACE PLASTIC (LEFT HAND SIDE)	1	

NOTE: The left/right configuration of the interface plates for a side feed hanging belt is determined by the direction the hanging belt exits from the extension cage. If facing in the direction of travel of the extension cage and the hanging belt exits to the right as shown in the view, it is a right exit hanging belt and uses right parts. If it exits to the left, it uses left parts.



Cage Unloading System



Cage Unloading System

Section 7

Operator Platform

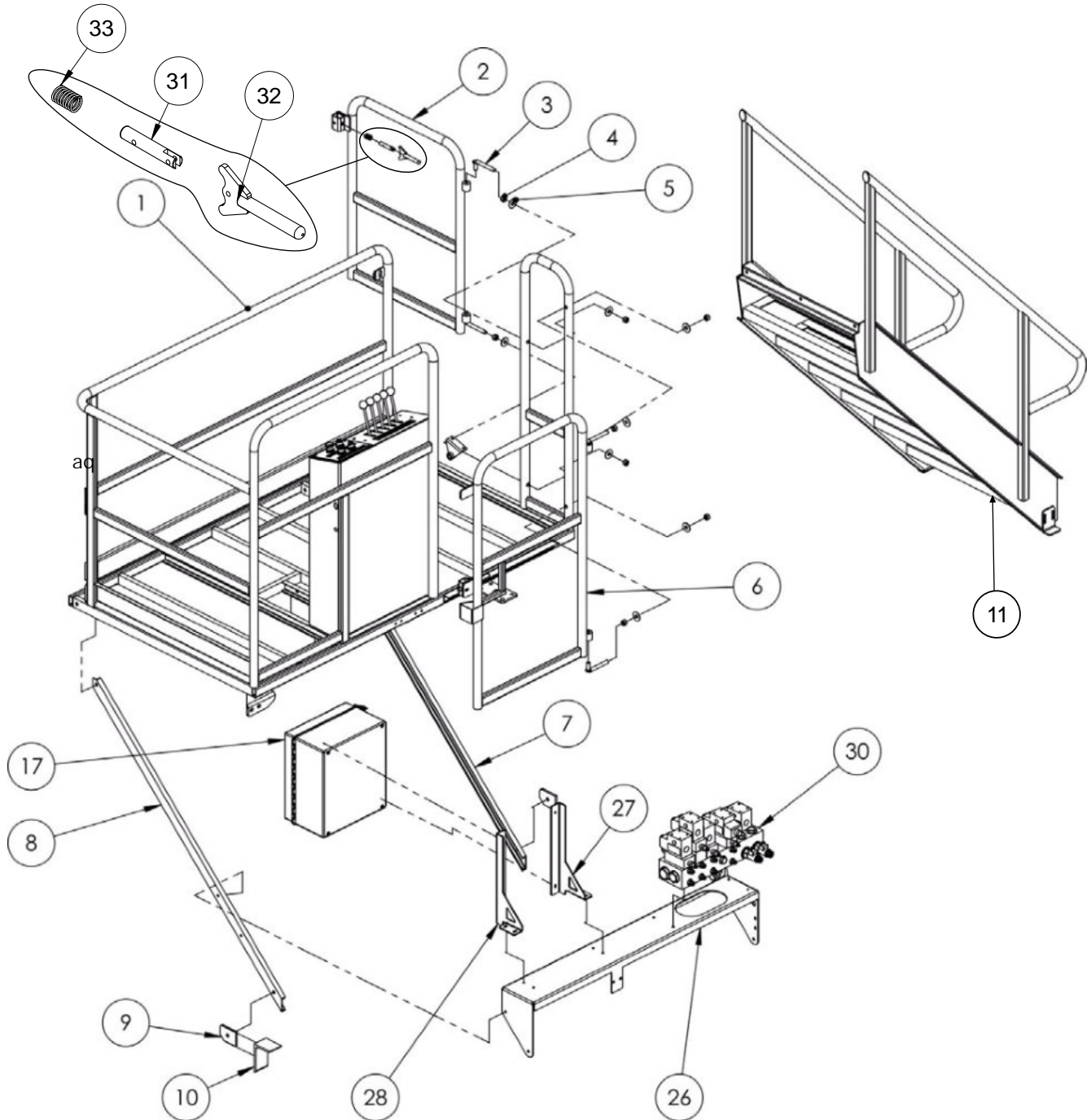
Contents

OPERATOR PLATFORM	2
OPERATOR CONSOLE	4
OPERATOR CAB ASSEMBLY	6
ELECTRICAL PANEL WITHOUT DOOR CLOSER.....	8
ELECTRICAL PANEL WITH DOOR CLOSER	10
ELECTRICAL PANEL WITH WASHER	12
BREAKER AND RELAY BOX (091-21868) WITHOUT WASHER- -	14
BREAKER AND RELAY BOX (091-21866) WITH WASHER- - - - -	16



Cage Unloading System

OPERATOR PLATFORM (091-21650B)



LEFT HAND SIDE SYSTEM SHOWN



Cage Unloading System

OPERATOR PLATFORM (091-21650B)

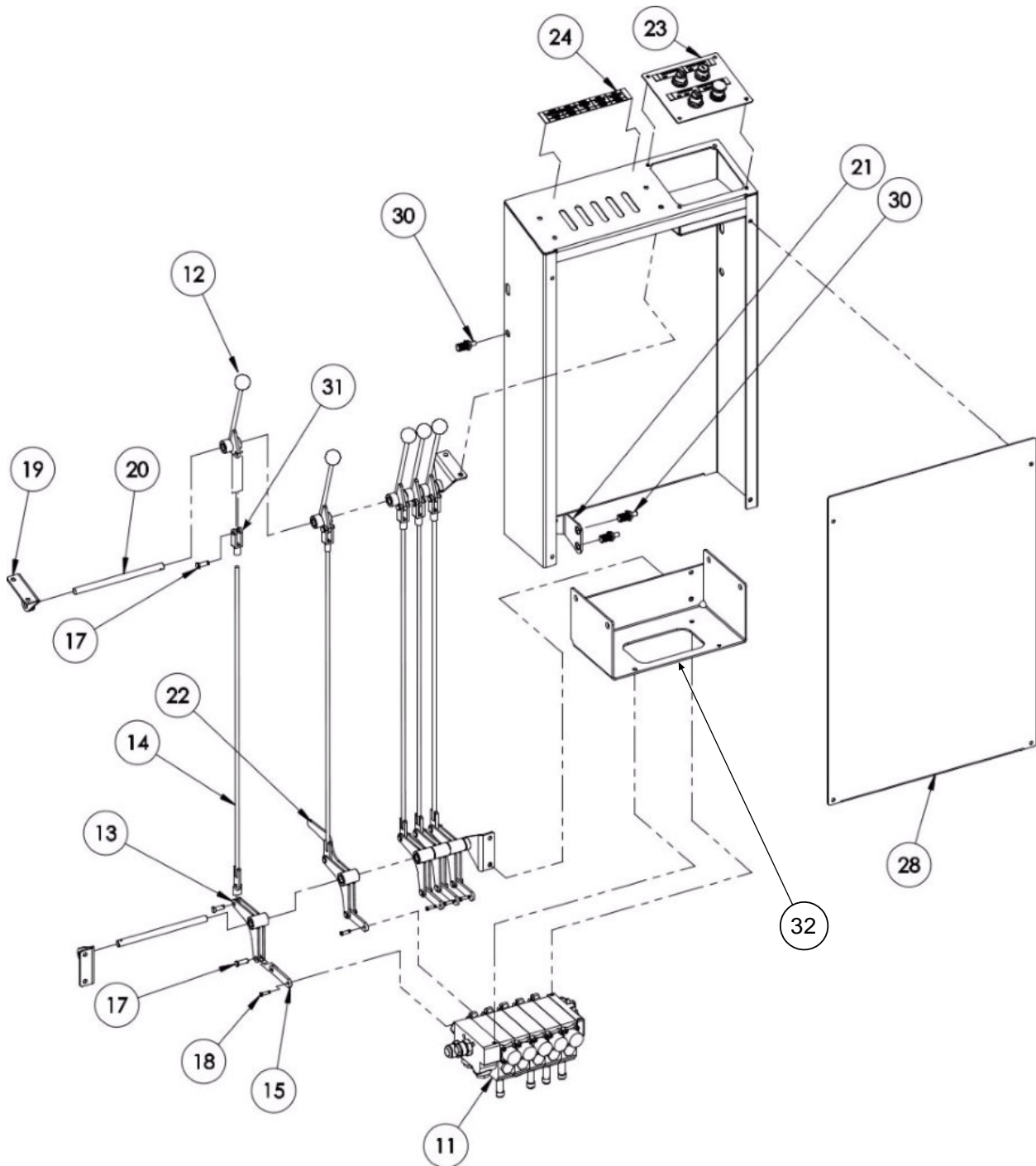
ITEM	PART NUMBER	DESCRIPTION	QTY	MODEL Or SERIAL #
1	091-21651BL	OPERATOR PLATFORM WELDMENT (STD) (LEFT HAND SIDE SYSTEM)	1	
	091-21651BR	OPERATOR PLATFORM WELDMENT (STD) (RIGHT HAND SIDE SYSTEM)	1	
2	091-21655L	ENTRY GATE (LEFT HAND SIDE SYSTEM)	1	
	091-21655R	ENTRY GATE (RIGHT HAND SIDE SYSTEM)	1	
3	091-20393	GATE HINGE PIN	4	
4		NUT HEX FIN NC GRADE 5 (5/8")	8	
5		FLAT WASHER (5/8")	8	
6	091-21656L	OPERATOR GATE (LEFT HAND SIDE SYSTEM)	1	
	091-21656R	OPERATOR GATE (RIGHT HAND SIDE SYSTEM)	1	
7	091-20449.1	OPERATOR PLATFORM BRACE	1	
8	091-20449.2	OPERATOR PLATFORM BRACE	1	
9	091-20450	PLATFORM BRACE ANCHOR	2	
10	091-00453	OP. PLATFORM SUPPORT ANGLE	1	
11	091-21657	STAIRS FOR OPERATOR PLATFORM (STD)	1	
	091-21665	STAIRS FOR OPERATOR PLATFORM (2 STEPS ADDED)	1	
17	190-00623	JUNCTION BOX	1	
26	091-20638L	VALVE STACK SUPPORT SHELF (LEFT HAND SYSTEM)	1	
	091-20638R	VALVE STACK SUPPORT SHELF (RIGHT HAND SYSTEM)	1	
27	091-20636R	ELECTRONICS BOX MOUNTING BRACKET	1	
28	091-20636L	ELECTRONICS BOX MOUNTING BRACKET	1	
30	091-23125	* (STD) UNLOADING SYSTEM MANIFOLD ASSEMBLY	1	
31	091-20750	GATE LATCH BOLT	1	
32	091-21673	GATE LATCH HANDLE WELDMENT	1	
33	091-20567	GATE LOCK SPRING	1	

Note: * See Section 10 For Parts Detail.



Cage Unloading System

OPERATOR CONSOLE (091-21650B)



LEFT HAND SIDE SYSTEM SHOWN



Cage Unloading System

OPERATOR CONSOLE (091-21650B)

ITEM	PART NUMBER	DESCRIPTION	QTY	MODEL Or SERIAL #
11	091-23119	*5 SECTION VALVE ASSEMBLY (INCLUDES ADAPTERS)	1	
12	091-21658	HYDRAULIC CONTROL LEVER ASSEMBLY	5	
12A	097-20319	KNOB	5	
12B	097-20542	BUSHING (REQUIRE 2 PER ASSEMBLY)	2	
13	091-21659	HYDRAULIC CONTROL BELL CRANK ASSEMBLY	4	
13A	091-20542	BUSHING (REQUIRE 2 PER ASSEMBLY)	2	
14	091-21660	CONNECTING ROD ASSEMBLY	5	
15	091-20551	CONNECTING LINK	5	
17	210-00846	PIN (3/8")	15	
18	210-00847	PIN (1/4")	5	
19	091-21663	CONTROL LINKAGE SHAFT MOUNT	4	
20	091-20664	CONTROL LINKAGE SHAFT	2	
21	091-20570	PROXY SENSOR MOUNT	1	
22	091-21666	HYDRAULIC CONTROL BELL CRANK ASSEMBLY WITH PROXY ARM	1	
22A	091-20542	BUSHING (REQUIRE 2PER ASSEMBLY	2	
23	091-21667B	**ELECTRICAL PANEL (SEE DETAIL NEXT PAGE)		
24	360-00151.1L	CONTROL LEVER LABELS (LEFT HAND SIDE SYSTEM)	1	
	360-00151.1R	CONTROL LEVER LABELS (RIGHT HAND SIDE SYSTEM)	1	
28	091-20564	CONSOLE PANEL	1	
30	091-20352	PROXIMITY SENSOR 18MM 24V	3	
31	210-00848	TAPPED YOKE	1	
32	091-20552	CONTROL VALVE SUPPORT	1	

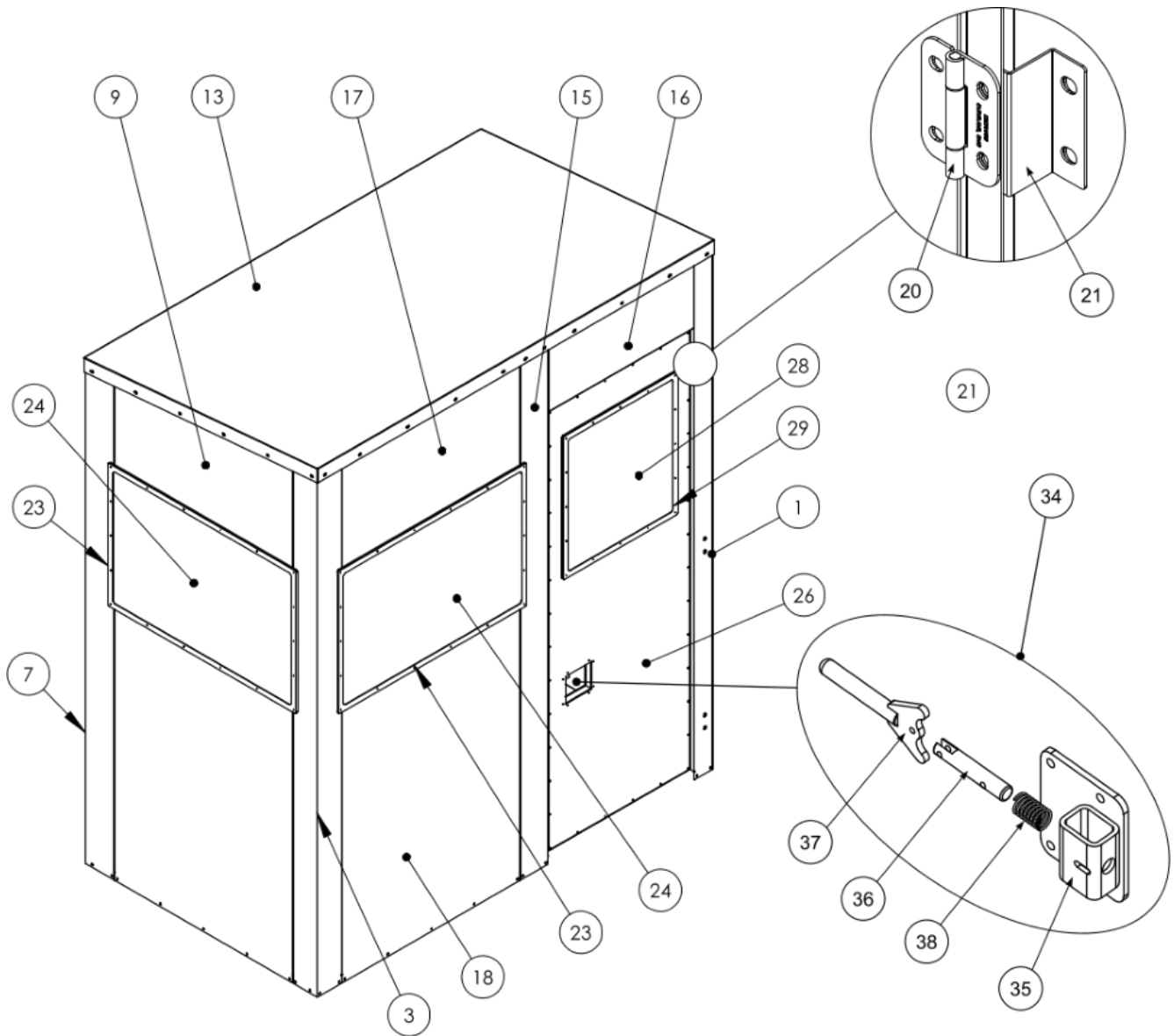
* See section 10 for valve detail.

** See panel detail in this section.



Cage Unloading System

OPERATOR CAB ASSEMBLY (091-25600)



LEFT HAND SIDE SYSTEM SHOWN



Cage Unloading System

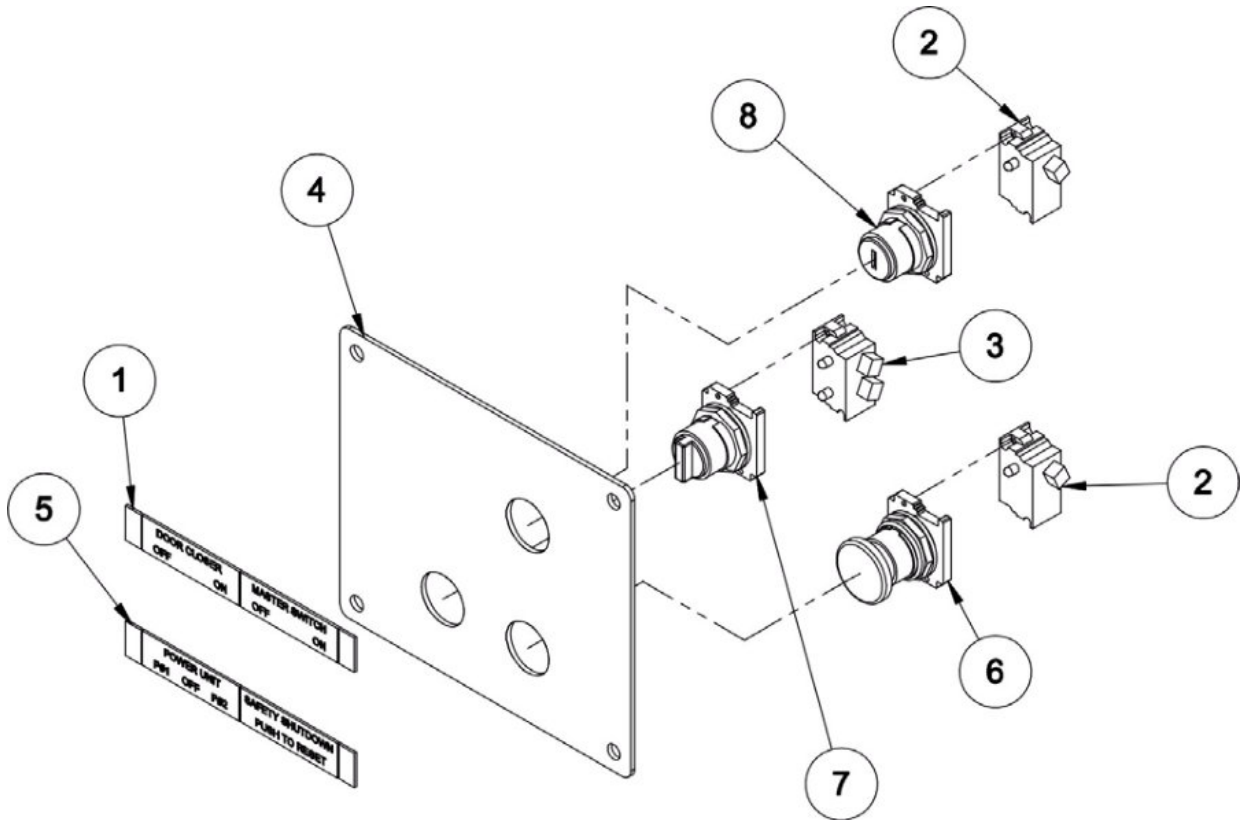
OPERATOR CAB ASSEMBLY (091-25600)

ITEM	PART NUMBER	DESCRIPTION	QTY	MODEL Or SERIAL #
1	091-24144L	CORNER POST	1	
2	091-24144R	CORNER POST	1	
3	091-24145L	CORNER POST	1	
4	091-24145R	CORNER POST	1	
5	091-24146L	CORNER POST	1	
6	091-24146R	CORNER POST	1	
7	091-24163L	CORNER POST	1	
8	091-24163R	CORNER POST	1	
9	091-24151L	PANEL	1	
10	091-24152L	PANEL	1	
11	091-24151R	PANEL	1	
12	091-24152R	PANEL	1	
13	091-24154	ROOF	1	
14	091-24291	ROOF	1	
15	091-24147L	DOOR POST	1	
16	091-24148	PANEL	1	
17	091-24149	PANEL	1	
18	091-24150	PANEL	2	
19	091-24153	BACK PANEL	3	
20	091-24155	DOOR HINGE FOR OPERATOR CAB	6	
21	091-24156	HINGE STIFFENER	6	
22	091-24160	DOOR CATCH	1	
23	091-24165	WINDOW COVER PLATE (CAB)	2	
24	091-24167	LEXAN WINDOW (CAB)	2	
25	091-25603OP	DOOR ASSEMBLY	1	
26	091-25603SH	DOOR ASSEMBLY	1	
27	091-24147R	DOOR POST	1	
28	091-24157OP	DOOR FRAME	1	
29	091-24158	DOOR COVER	1	
30	091-24161	WINDOW CUTOUT CHANNEL	4	
31	091-24162	LATCH CUTOUT CHANNEL	4	
32	091-24164	WINDOW COVER PLATE (DOOR)	1	
33	091-24166	LEXAN WINDOW (DOOR)	1	
34	091-25604	DOOR LATCH ASSEMBLY	1	
35		GATE LATCH BOX (NOT SOLD SEPARATELY)	1	
36	091-20750	GATE LATCH BOLT	1	
37	091-21673	GATE LATCH HANDLE	1	
38	091-20567	GATE LOCK SPRING	1	
-	091-24168	HEATER (NOT SHOWN)	1	
-	091-24169	THERMOSTAT (NOT SHOWN)	1	



Cage Unloading System

ELECTRICAL PANEL WITHOUT DOOR CLOSER (091-21667A)





Cage Unloading System

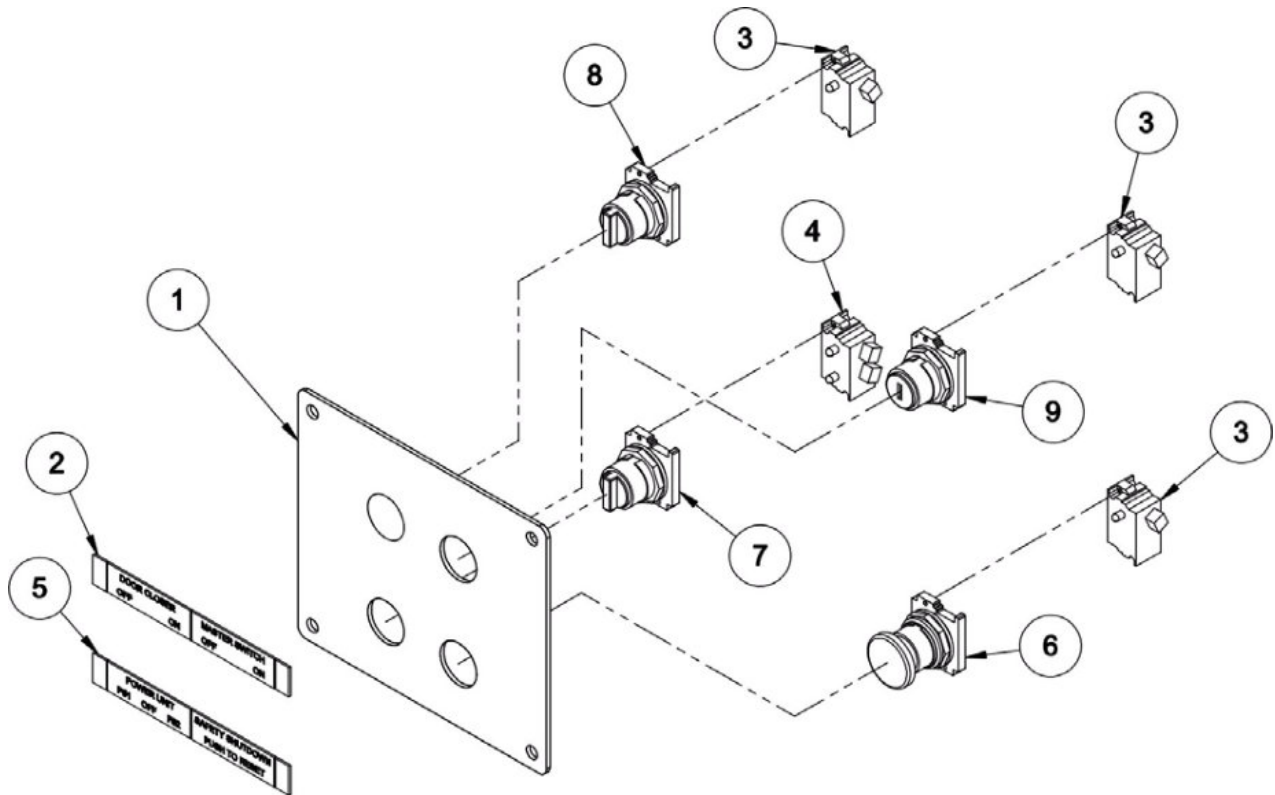
ELECTRICAL PANEL WITHOUT DOOR CLOSER (091-21667A)

ITEM	PART NUMBER	DESCRIPTION	QTY	MODEL Or SERIAL #
1	360-00135.1L	MASTER SWITCH / DOOR CLOSER TAG (LEFT HAND SIDE SYSTEM)	1	
	360-00135.1R	MASTER SWITCH / DOOR CLOSER TAG (RIGHT HAND SIDE SYSTEM)	1	
2	190-00026	CONTACT BLOCK	2	
3	190-00018	CONTACT BLOCK	1	
4	091-20719	ELECTRICAL PANEL WITH OUT DOOR CLOSER	1	
5	360-00143L	POWER UNIT / SAFETY SHUTDOWN TAG (LEFT HAND SIDE SYSTEM)	1	
	360-00143R	POWER UNIT / SAFETY SHUTDOWN TAG (RIGHT HAND SIDE SYSTEM)	1	
6	190-00497	MUSHROOM HEAD PUSH BUTTON, YELLOW	1	
7	190-00015	THREE POSITION SELECTOR SWITCH	1	
8	430-00152	KEY SWITCH	1	



Cage Unloading System

ELECTRICAL PANEL WITH DOOR CLOSER (091-21667B)





Cage Unloading System

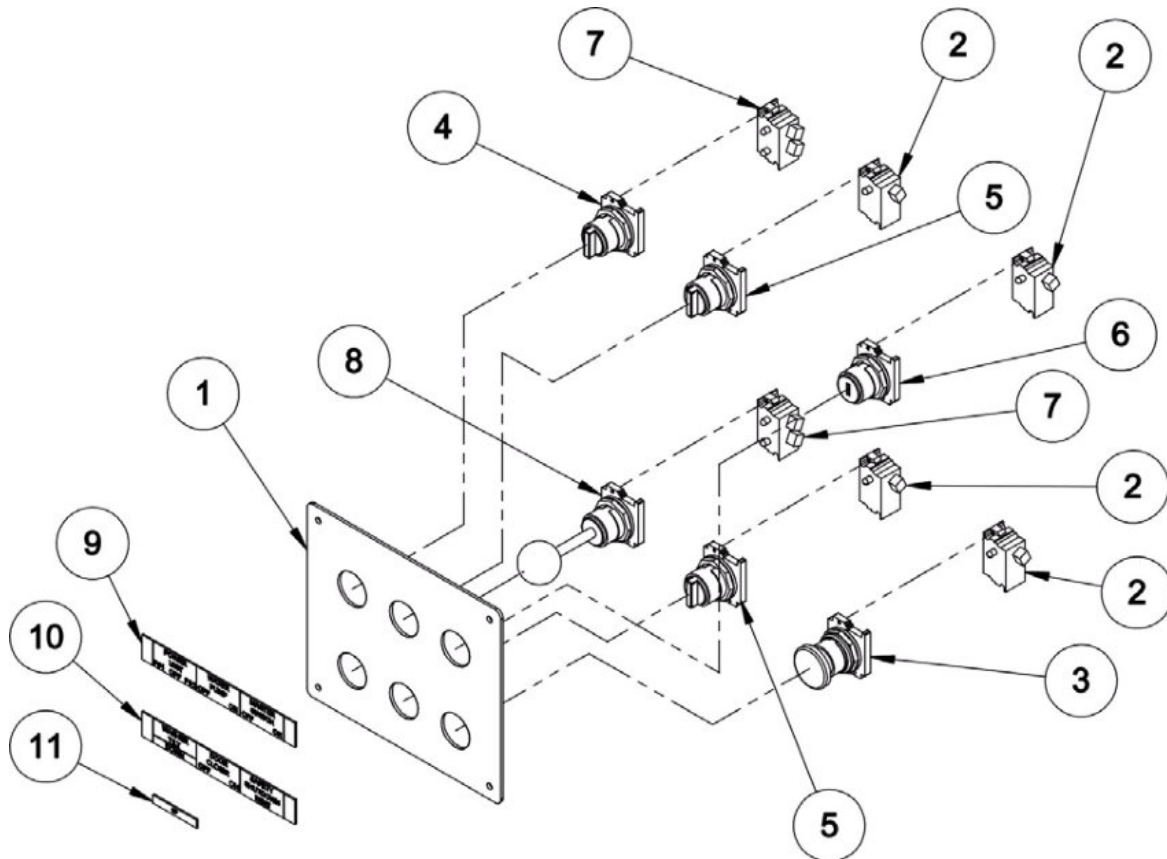
ELECTRICAL PANEL WITH DOOR CLOSER (091-21667B)

ITEM	PART NUMBER	DESCRIPTION	QTY	MODEL Or SERIAL #
1	091-20628	ELECTRICAL PANEL WITHOUT WASHER	1	
2	360-00135.1L	MASTER SWITCH / DOOR CLOSER TAG (LEFT HAND SIDE SYSTEM)	1	
	360-00135.1R	MASTER SWITCH / DOOR CLOSER TAG (RIGHT HAND SIDE SYSTEM)	1	
3	190-00026	CONTACT BLOCK	3	
4	190-00018	CONTACT BLOCK	1	
5	360-00143L	POWER UNIT / SAFETY SHUTDOWN TAG (LEFT HAND SIDE SYSTEM)	1	
	360-00143R	POWER UNIT / SAFETY SHUTDOWN TAG (RIGHT HAND SIDE SYSTEM)	1	
6	190-00497	MUSHROOM HEAD PUSH BUTTON, YELLOW	1	
7	190-00015	THREE POSITION SELECTOR SWITCH	1	
8	190-00014	TWO POSITION SELECTOR SWITCH	1	
9	430-00152	KEY SWITCH	1	



Cage Unloading System

ELECTRICAL PANEL WITH WASHER (091-21667C)





Cage Unloading System

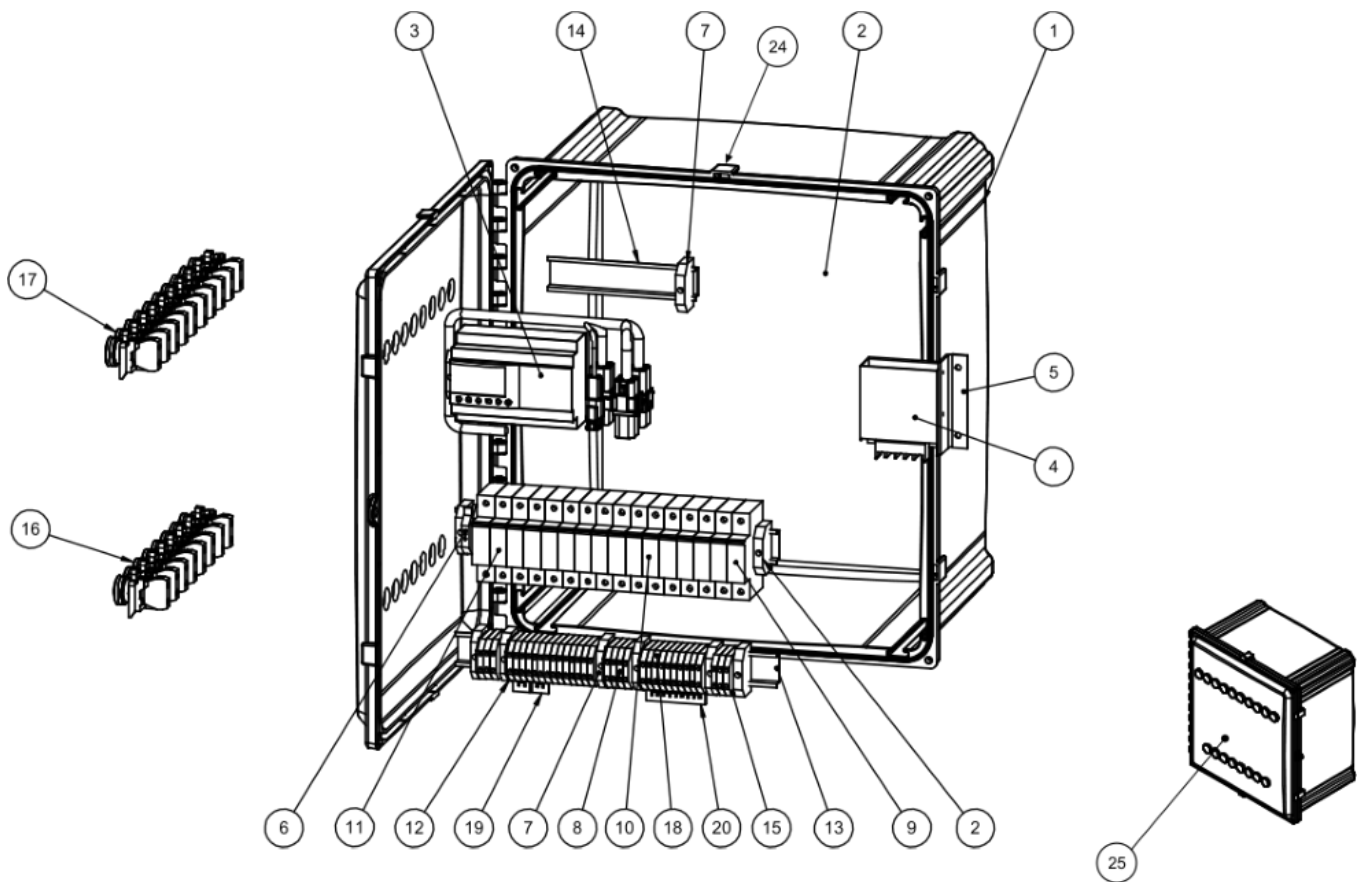
ELECTRICAL PANEL WITH WASHER (091-21667C)

ITEM	PART NUMBER	DESCRIPTION	QTY	MODEL Or SERIAL #
1	091-20626	ELECTRICAL PANEL WITH WASHER	1	
2	190-00026	CONTACT BLOCK	4	
3	190-00497	MUSHROOM HEAD PUSH BUTTON, YELLOW	1	
4	190-00015	THREE POSITION SELECTOR SWITCH	1	
5	190-00014	TWO POSITION SELECTOR SWITCH	2	
6	430-00152	KEY SWITCH	1	
7	190-00018	CONTACT BLOCK	2	
8	190-00022	TWO POSITION JOYSTICK	1	
9	360-00162A.2	MASTER SWITCH / WATER PUMP / POWER UNIT TAG (LEFT HAND SIDE SYSTEM)	1	
	360-00162A.1	MASTER SWITCH / WATER PUMP TAG / POWER UNIT (RIGHT HAND SIDE SYSTEM)	1	
10	360-00162B.2	SAFETY RESET / DOOR CLOSER / TILT TAG (LEFT HAND SIDE SYSTEM)	1	
	360-00162B.1	SAFETY RESET / DOOR CLOSER / TILT TAG (RIGHT HAND SIDE SYSTEM)	1	
11	360-00162C	WASHER TILT TAG	1	



Cage Unloading System

**BREAKER AND RELAY BOX (091-21868)
(SYSTEM WITHOUT WASHER)**





Cage Unloading System

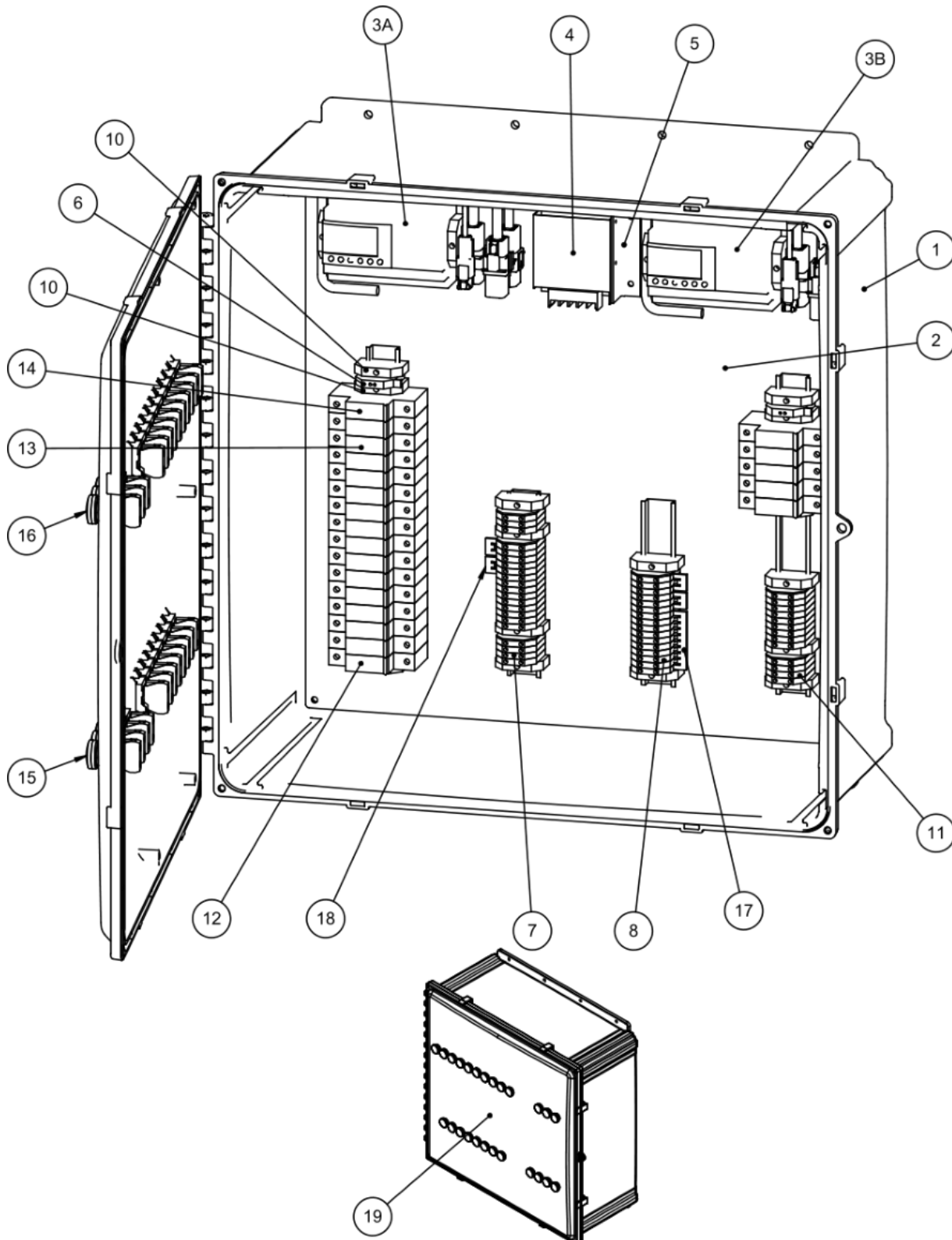
BREAKER AND RELAY BOX (091-21868) (SYSTEM WITHOUT WASHER)

ITEM	PART NUMBER	DESCRIPTION	QTY	MODEL Or SERIAL #
1	190-00623	POLY. ENCLOSURE 18 X 16 X 10	1	
2	091-24322	BREAKER AND RELAY BOX BACK PANEL	1	
3	091-21961	SMART RELAY ASSEMBLY	1	
4	190-00681	24V DC POWER SUPPLY	1	
5	091-24221	POWER SUPPLY BRACKET	1	
6	190-00695	FUSED DISC. TERMINAL	1	
7	190-00693	END STOP 35MM	11	
8	190-00690	GREY TERMINAL BLOCK (32A)	21	
9	190-00680	CIRCUIT BREAKER 15A (CURVE B)	1	
10	190-00678	CIRCUIT BREAKER 3A (CURVE B)	12	
11	190-00679	CIRCUIT BREAKER 10A (CURVE B)	3	
12	190-00694	END COVER	4	
13	190-00250	DIN RAIL (13" LONG)	2	
14	190-00250	DIN RAIL (6" LONG)	1	
15	190-00691	GREEN-YELLOW TERMINAL BLOCK	3	
16	190-00688	ORANGE COMPLETE LIGHT (120V)	8	
17	190-00689	RED COMPLETE LIGHT (24V)	10	
18	190-00692	WHITE TERMINAL BLOCK (32A)	10	
19	190-00696	PLUG-IN BRIDGE 3 WAYS	2	
20	190-00697	PLUG-IN BRIDGE 10 WAYS	1	
21	190-00685	1A FAST ACTING FUSE (5MM X 20MM)	1	
22	360-00176	INDICATOR LIGHT DECAL	1	
23	091-21868W	WIRING AND TERMINALS	1	
24	190-00623-LK	LATCH KIT (2 LATCHES)	2	
25	360-00176	CONTROL BOX INSTRUCTIONAL DECAL	1	



Cage Unloading System

**BREAKER AND RELAY BOX (091-21866)
(SYSTEM WITH WASHER)**





Cage Unloading System

BREAKER AND RELAY BOX (091-21866) (SYSTEM WITH WASHER)

ITEM	PART NUMBER	DESCRIPTION	QTY	MODEL Or SERIAL #
1	190-00677	POLY. ENCLOSURE 24 X 24 X 10	1	
2	091-24179	BACK PANEL FOR 24 X24 BOX	1	
3A	091-21961T	SMART RELAY (TRANSFER CHAIN SIDE)	1	
3B	091-21961W	SMART RELAY (WASHER SIDE)	1	
4	190-00681	24V DC POWER SUPPLY	1	
5	091-24221	POWER SUPPLY BRACKET	1	
6	190-00695	FUSED DIS. TERMINAL	2	
7	190-00690	GREY TERMINAL BLOCK (32A)	30	
8	190-00692	WHITE TERMINAL BLOCK (32A)	16	
9	190-00694	END COVER	6	
10	190-00693	END STOP 35MM	19	
11	190-00691	GREEN-YELLOW TERMINAL BLOCK	4	
12	109-00680	CIRCUIT BREAKER 15A (CURVE B)	1	
13	190-00678	CIRCUIT BREAKER 3A (CURVE B)	16	
14	190-00679	CIRCUIT BREAKER 10A (CURVE B)	4	
15	190-00688	ORANGE COMPLETE LIGHT (120V)	12	
16	190-00689	RED COMPLETE LIGHT (24V)	13	
17	190-00697	PLUG-IN BRIDGE 10 WAYS	1	
18	190-00696	PLUG-IN BRIDGE 3 WAYS	4	
19	360-00180	DECAL FOR INDICATOR LIGHTS FUNCTIONS	1	



Cage Unloading System



Cage Unloading System

Section 8

Door Closer

Contents

Door Closer and Mount Assembly-	2
Hydraulic Door Closer	4
Hydraulic Door Closer (4 High Cage Only)	6
Hydraulic Door Closer (5 & 6 High Cage Combination)	8



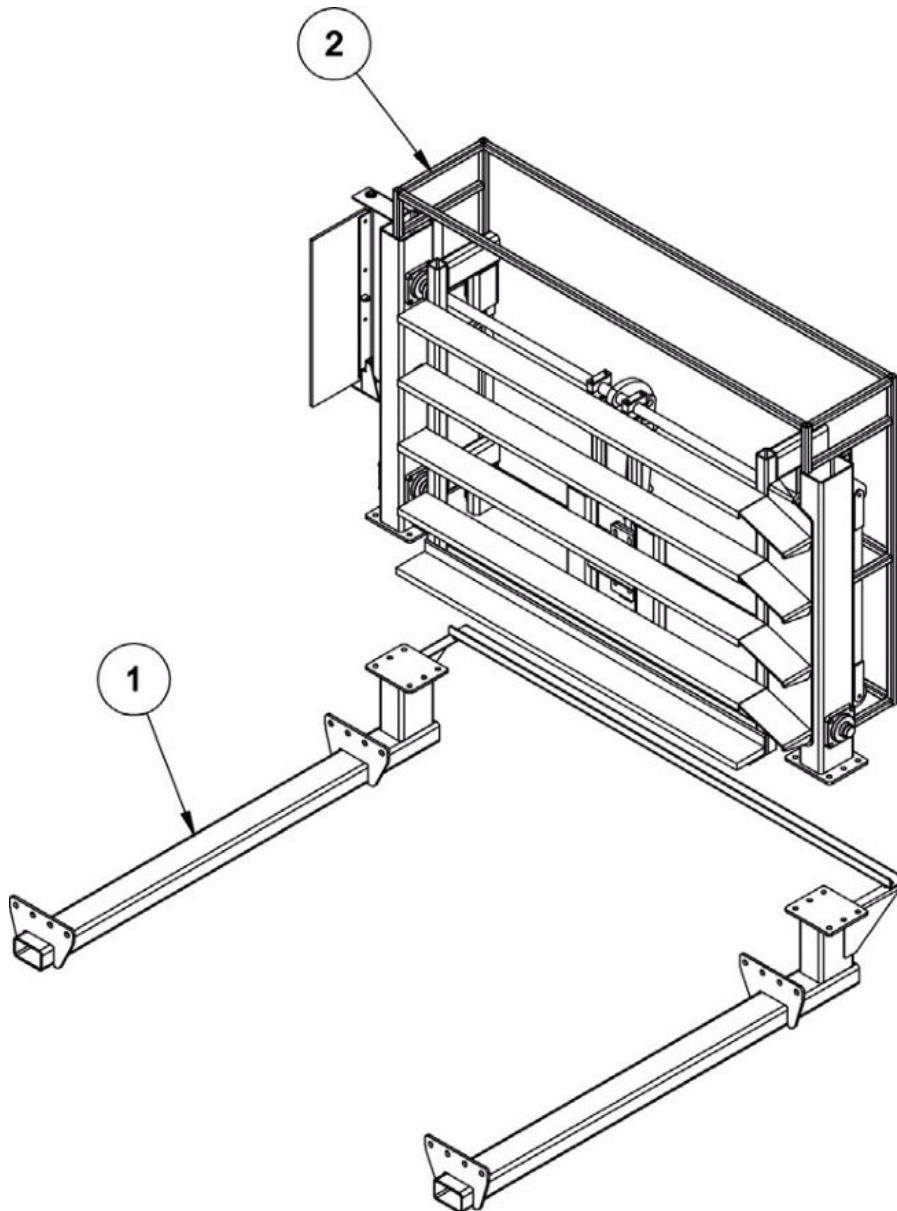
Cage Unloading System

DOOR CLOSER AND MOUNT ASSEMBLY (091-21677 B,C,OR D)

091-21677B : FOR 5 HIGH CAGE ONLY

091-21677C: FOR 4 HIGH CAGE ONLY

091-21677D FOR 5 / 6 HIGH CAGE COMBINATION



LEFT HAND SIDE SYSTEM SHOWN



Cage Unloading System

DOOR CLOSER AND MOUNT ASSEMBLY (091-21677 B,C,OR D)

ITEM	PART NUMBER	DESCRIPTION	QTY	MODEL Or SERIAL #
1	091-21601	DOOR CLOSER SUPPORT	1	
2	010-00160BL	*HYDRAULIC DOOR CLOSER (FOR 5 HIGH CAGE ONLY & LHS SYSTEM)	1	
	010-00160BR	*HYDRAULIC DOOR CLOSER (FOR 5 HIGH CAGE ONLY & RHS SYSTEM)	1	
	091-21614CL	** HYDRAULIC DOOR CLOSER (FOR 4 HIGH CAGE ONLY & LHS SYSTEM)		
	091-21614CR	** HYDRAULIC DOOR CLOSER (FOR 4 HIGH CAGE ONLY & RHS SYSTEM)		
	091-21615DL	*** HYDRAULIC DOOR CLOSER (FOR 5/6 HIGH CAGE COMBINATION & LHS SYSTEM)		
	091-21615DR	*** HYDRAULIC DOOR CLOSER (FOR 5/6 HIGH CAGE COMBINATION & RHS SYSTEM)		

* SEE NEXT PAGE

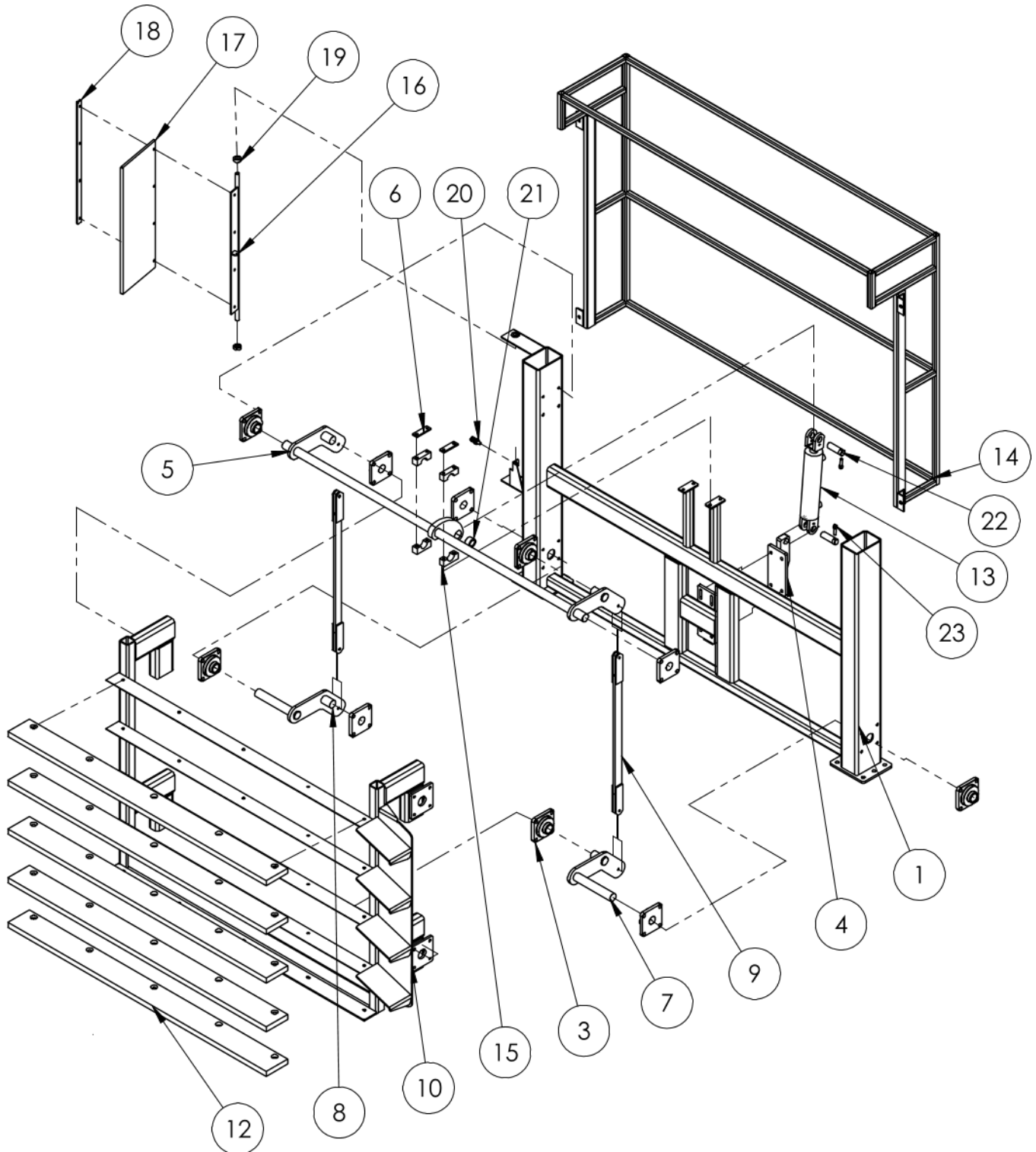
** SEE PAGE 8 - 6

*** SEE PAGE 8 - 8



Cage Unloading System

**HYDRAULIC DOOR CLOSER (010-00160B)
5 HIGH CAGE ONLY**

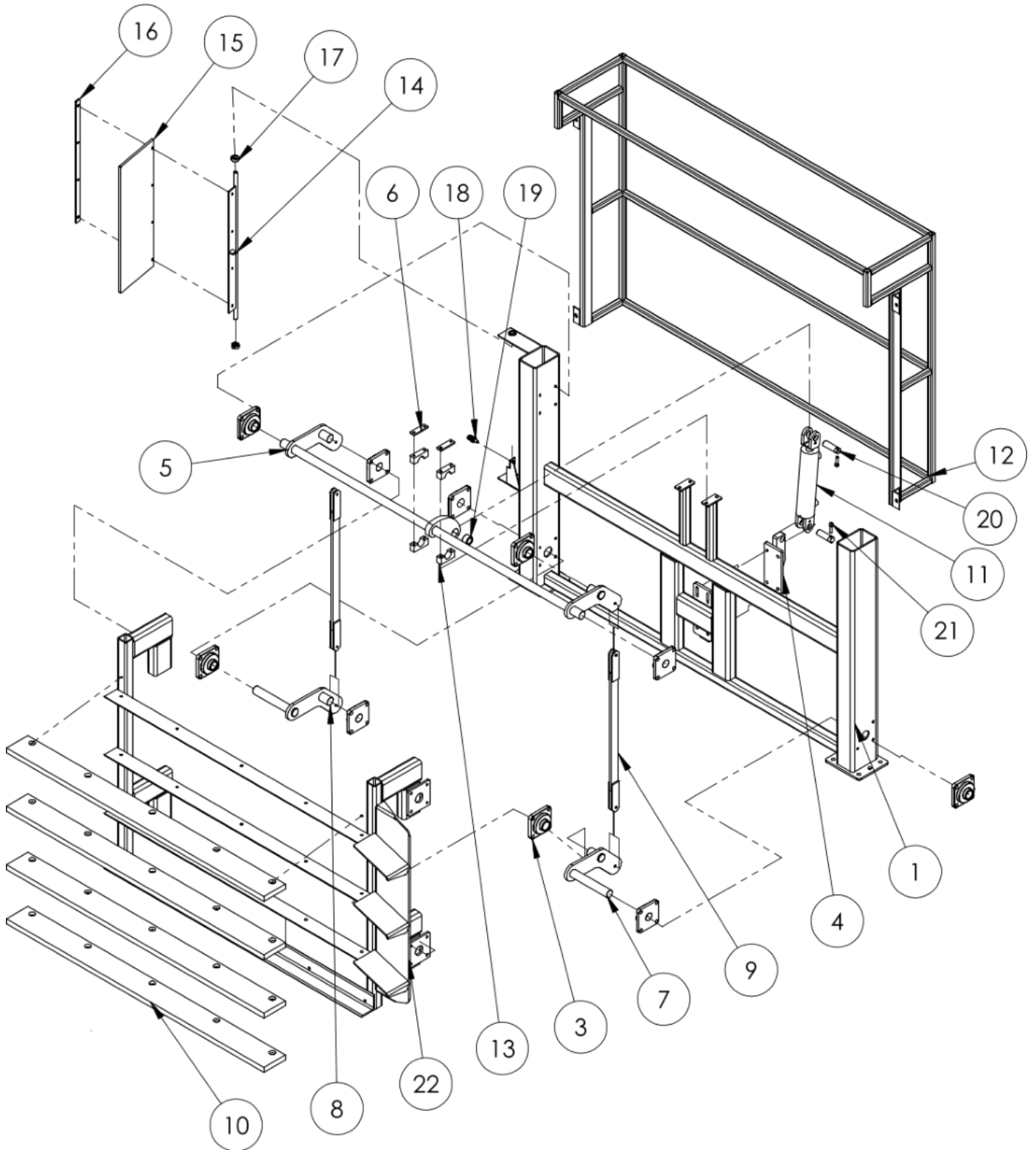


LEFT HAND SIDE SYSTEM SHOWN



Cage Unloading System

**HYDRAULIC DOOR CLOSER
4 HIGH CAGE ONLY (010-00160C)**





Cage Unloading System

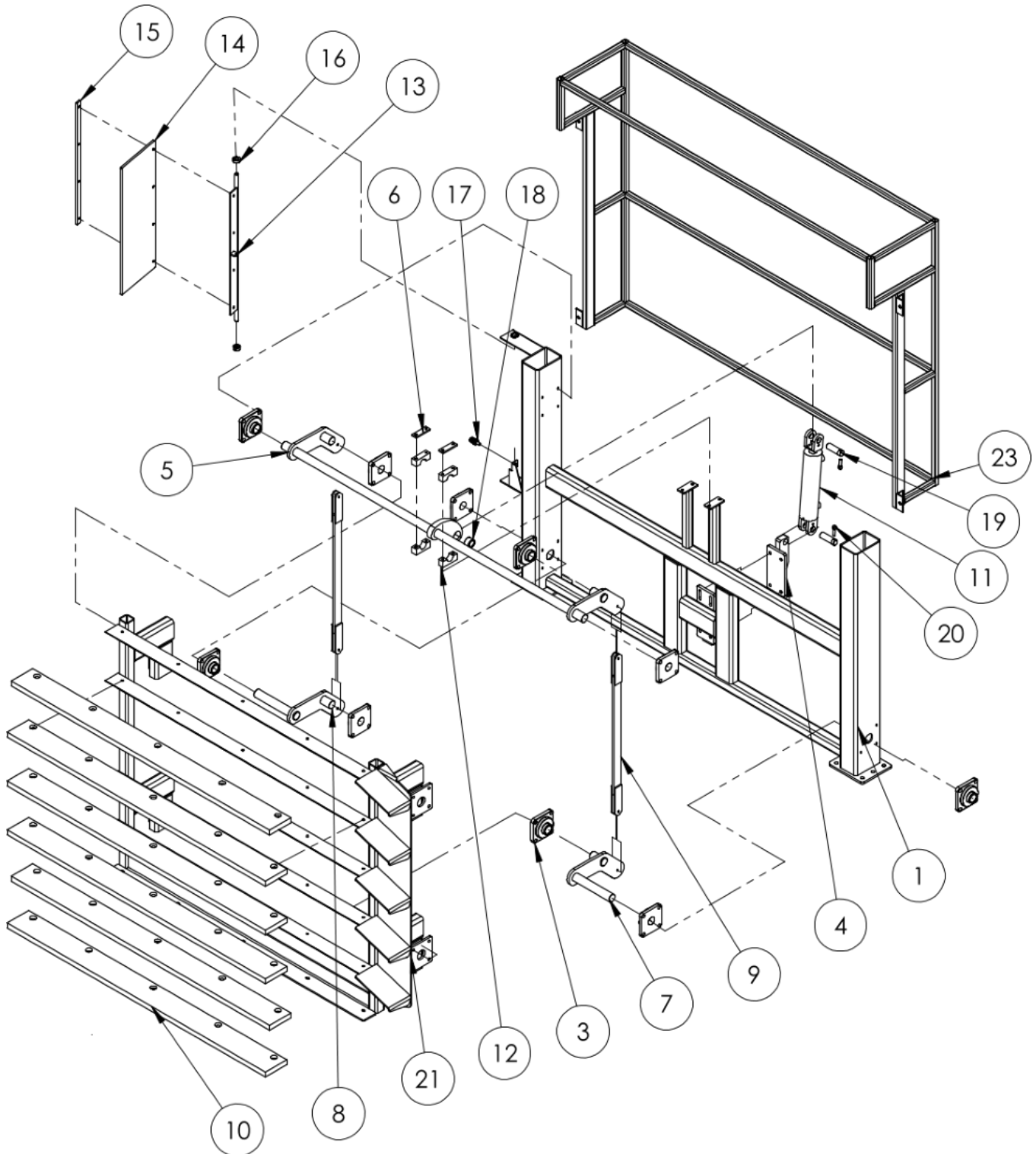
HYDRAULIC DOOR CLOSER 4 HIGH CAGE ONLY (010-00160C)

ITEM	PART NUMBER	DESCRIPTION	QTY	MODEL Or SERIAL #
1	091-21606BL	DOOR CLOSER MAIN FRAME	1	
2	091-21606BR	DOOR CLOSER MAIN FRAME	1	
3	030-00018	FLANGE BEARING 1-7/16	10	
4	010-00040	CYLINDER ADJUSTMENT ASSY	1	
5	010-00161	MAIN LIFT SHAFT ASSY	1	
6	410-00322	UHMW BEARING CAP	2	
7	091-00341L	LOWER STUB SHAFT ASSY	1	
8	091-00341R	LOWER STUB SHAFT ASSY	1	
9	091-21603	DOOR CLOSER TIE ROD ASSY	2	
10	410-00062	UHMW WEAR PAD	4	
11	170-00002	DOOR CLOSER LIFT CYLINDER	1	
12	091-21604	DOOR CLOSER SAFETY GUARD	1	
13	010-00163	UHMW BEARING (TOP AND BOTTOM HALVES)	2	
14	091-21607	PADDLE ROD ASSY	1	
15	410-00030	DOOR CLOSER PADDLE	1	
16	091-20614	PADDLE ATTACHMENT STRAP CAP	1	
17	091-20560	5/8" STOP COLLAR	2	
18	091-20352	PROXIMITY SENSOR 18mm 24V	1	
	091-20352.2	33' PROXY SENSOR CABLE (NOT SHOWN)		
19	030-00092	1" NEEDLE BEARING W/O INNER RACE	1	
20	098-01483	STEER CYLINDER PIN	2	
21	098-01482	ROD END 3/8	2	
22	091-21608L	LIFT FRAME ASSY (4 HIGH CAGE) (LEFT HAND)	1	
	091-21608R	LIFT FRAME ASSY (4 HIGH CAGE) (RIGHT HAND)	1	
	410-00324	PADDLE SPRING (NOT SHOWN)	1	



Cage Unloading System

HYDRAULIC DOOR CLOSER 5 & 6 HIGH CAGE COMBINATION (010-00160D)





Cage Unloading System

HYDRAULIC DOOR CLOSER 5 & 6 HIGH CAGE COMBINATION (010-00160D)

ITEM	PART NUMBER	DESCRIPTION	QTY	MODEL Or SERIAL #
1	091-21606BL	DOOR CLOSER MAIN FRAME	1	
2	091-21606BR	DOOR CLOSER MAIN FRAME	1	
3	030-00018	FLANGE BEARING 1-7/16	10	
4	010-00040	CYLINDER ADJUSTMENT ASSY	1	
5	010-00161	MAIN LIFT SHAFT ASSY	1	
6	410-00322	UHMW BEARING CAP	2	
7	091-00341L	LOWER STUB SHAFT ASSY	1	
8	091-00341R	LOWER STUB SHAFT ASSY	1	
9	091-21603	DOOR CLOSER TIE ROD ASSY	2	
10	410-00062	UHMW WEAR PAD	6	
11	170-00002	DOOR CLOSER LIFT CYLINDER	1	
12	010-00163	UHMW BEARING (TOP AND BOTTOM HALVES)	2	
13	091-21607	PADDLE ROD ASSY	1	
14	410-00030	DOOR CLOSER PADDLE	1	
15	091-20614	PADDLE ATTACHMENT STRAP CAP	1	
16	091-20560	5/8" STOP COLLAR	2	
17	091-20352	PROXIMITY SENSOR 18mm 24V	1	
	091-20352.2	33' PROXY SENSOR CABLE (NOT SHOWN)		
18	030-00092	1" NEEDLE BEARING W/O INNER RACE	1	
19	098-01483	STEER CYLINDER PIN	2	
20	098-01482	ROD END 3/8	2	
	091-21611L	6 HIGH LIFT FRAME ASSEMBLY (LEFT HAND SIDE)	1	
	091-21611R	6 HIGH LIFT FRAME ASSEMBLY (RIGHT HAND SIDE)	1	
	091-21612	DOOR CLOSER GUARD FOR 6 HIGH (ONLY)	1	
	410-00324	PADDLE SPRING (NOT SHOWN)	1	



Cage Unloading System

HYDRAULIC DOOR CLOSER



Cage Unloading System

Section 9

Lay Ins

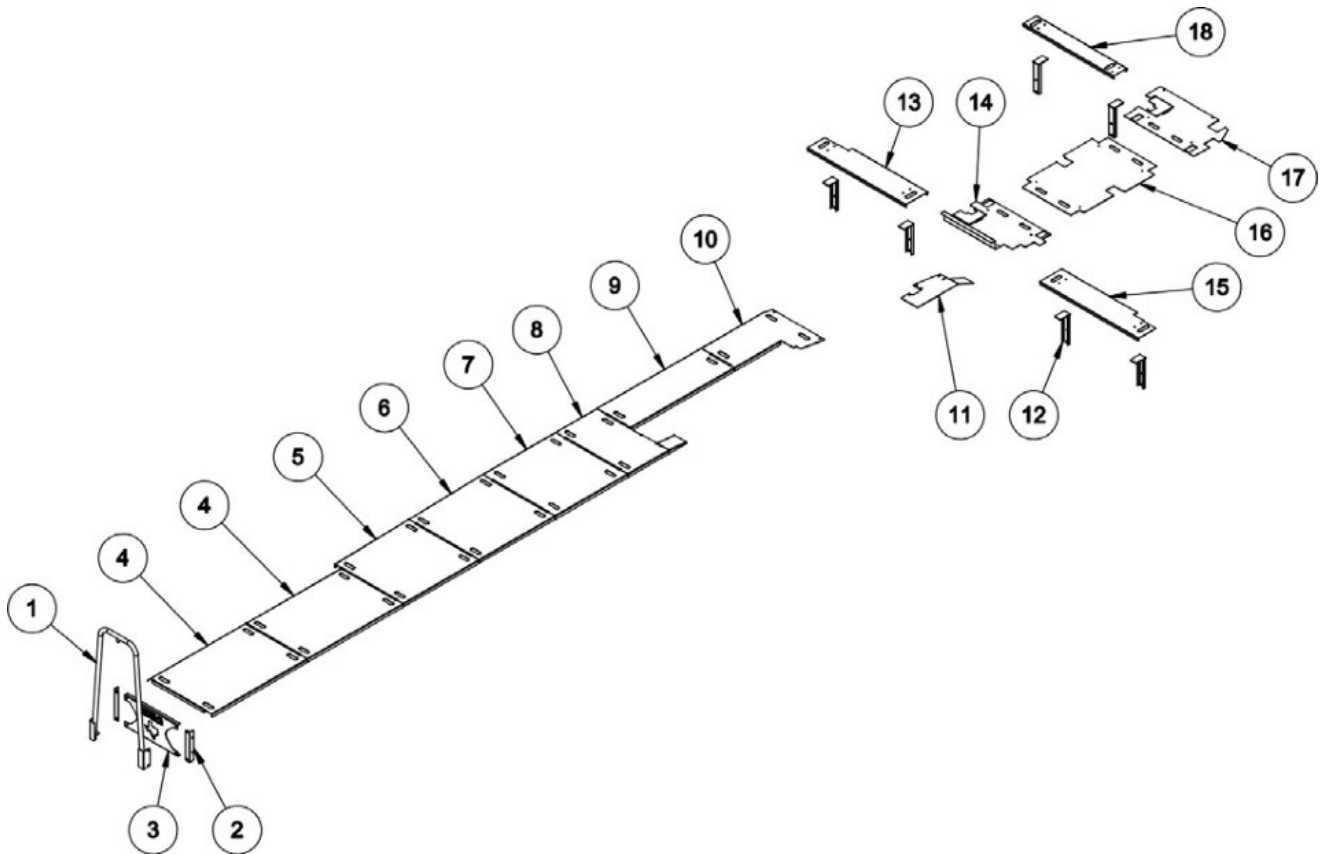
Contents

Lay Ins for system with washer & door closer -----	2
Lay Ins for system with door closer -----	4
Lay Ins for system without door closer -----	6



Cage Unloading System

LAY IN KIT FOR SYSTEM WITH WASHER AND DOOR CLOSER
(091-21839)



ITEM	PART NUMBER	DESCRIPTION	QTY	MODEL Or SERIAL #
1	091-21825	END RAIL ASSEMBLY		
2	091-20369.1	X-BRACE SUPPORT (RIGHT SIDE)		
	091-20369.2	X-BRACE SUPPORT (LEFT SIDE)		
3	091-20367A	CONVEYOR X- BRACE		
4	091-20512L	END CONVEYOR LAY IN (LEFT HAND SIDE SYSTEM)		
	091-20512R	END CONVEYOR LAY IN (RIGHT HAND SIDE SYSTEM)		
5	091-20587L	SECOND TAPERED LAY IN (LEFT HAND SIDE SYSTEM)		
	091-20587R	SECOND TAPERED LAY IN (RIGHT HAND SIDE SYSTEM)		
6	091-20588L	FIRST TAPERED LAY IN (LEFT HAND SIDE SYSTEM)		
	091-20588R	FIRST TAPERED LAY IN (RIGHT HAND SIDE SYSTEM)		
7	091-20832L	EXTRA LAY IN FOR EXTEND CONVEYORS (LEFT HAND SIDE SYSTEM)		
	091-20832R	EXTRA LAY IN FOR EXTEND CONVEYORS (RIGHT HAND SIDE SYSTEM)		

LEFT HAND SIDE SYSTEM 30' CONVEYORS SHOWN



Cage Unloading System

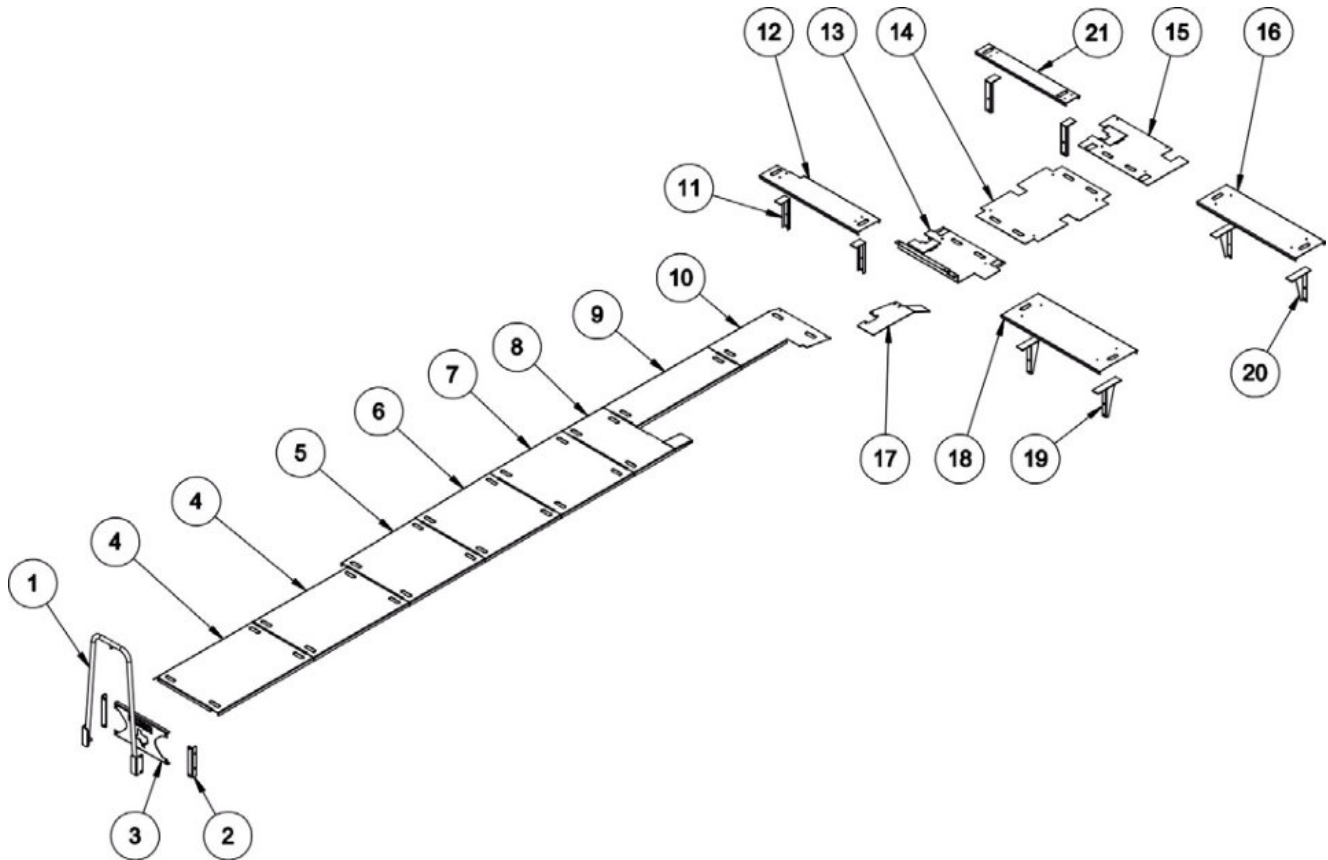
LAY IN KIT FOR SYSTEM WITH WASHER AND DOOR CLOSER (091-21839)

ITEM	PART NUMBER	DESCRIPTION	QTY	MODEL Or SERIAL #
8	091-21845L	SIXTH LAY IN WITH DOOR RAMP (LEFT HAND SIDE SYSTEM) (EXTENDED CONVEYOR)		
	091-21845R	SIXTH LAY IN WITH DOOR RAMP (RIGHT HAND SIDE SYSTEM) (EXTENDED CONVEYOR)		
	091-21842L	SIXTH LAY IN WITH DOOR RAMP (LEFT HAND SIDE SYSTEM) (20' CONVEYORS)		
	091-21842R	SIXTH LAY IN WITH DOOR RAMP (RIGHT HAND SIDE SYSTEM) (20' CONVEYORS)		
9	091-21831L	FIFTH LAY IN (LEFT HAND SIDE SYSTEM) (EXTENDED CONVEYORS)		
	091-21831R	FIFTH LAY IN (RIGHT HAND SIDE SYSTEM) (EXTENDED CONVEYORS)		
	091-20510L	FIFTH LAY IN (LEFT HAND SIDE SYSTEM) (20' CONVEYORS)		
	091-20510R	FIFTH LAY IN (RIGHT HAND SIDE SYSTEM) (20' CONVEYORS)		
10	091-20509L	FOURTH LAY IN W DOOR CLOSER (LEFT SIDE SYSTEM)		
	091-20509R	FOURTH LAY IN W DOOR CLOSER (RIGHT SIDE SYSTEM)		
11	091-20504L	DOOR RAMP (LEFT HAND SIDE SYSTEM)		
	091-20504R	DOOR RAMP (RIGHT HAND SIDE SYSTEM)		
12	091-21838	LAY-IN MOUNT	6	
13	091-20534.1	DUMPER LAY-IN	1	
14	091-21824L	THIRD LAY-IN WITH WASHER WELDMENT (LEFT HAND SIDE SYSTEM)	1	
	091-21824R	THIRD LAY-IN WITH WASHER WELDMENT (RIGHT HAND SIDE SYSTEM)	1	
15	091-20534.2	DUMPER LAY-IN	1	
16	091-21843	SECOND LAY-IN (SAME FOR LEFT HAND OR RIGHT HAND SYSTEM)	1	
17	091-21822L	FIRST LAY-IN WITH WASHER WELDMENT (LEFT HAND SIDE SYSTEM)	1	
	091-21822R	FIRST LAY-IN WITH WASHER WELDMENT (RIGHT HAND SIDE SYSTEM)	1	
18	091-20575	BACK DUMPER LAY-IN	1	



Cage Unloading System

LAY IN KIT FOR SYSTEM WITH DOOR CLOSER (091-21840)



ITEM	PART NUMBER	DESCRIPTION	QTY	MODEL Or SERIAL #
1	091-21825	END RAIL ASSEMBLY		
2	091-20369.1	X-BRACE SUPPORT (RIGHT SIDE)		
	091-20369.2	X-BRACE SUPPORT (LEFT SIDE)		
3	091-20367A	CONVEYOR X- BRACE		
4	091-20512L	END CONVEYOR LAY IN (LEFT HAND SIDE SYSTEM)		
	091-20512R	END CONVEYOR LAY IN (RIGHT HAND SIDE SYSTEM)		
5	091-20587L	SECOND TAPERED LAY IN (LEFT HAND SIDE SYSTEM)		
	091-20587R	SECOND TAPERED LAY IN (RIGHT HAND SIDE SYSTEM)		
6	091-20588L	FIRST TAPERED LAY IN (LEFT HAND SIDE SYSTEM)		
	091-20588R	FIRST TAPERED LAY IN (RIGHT HAND SIDE SYSTEM)		
7	091-20832L	EXTRA LAY IN FOR EXTEND CONVEYORS (LEFT HAND SIDE SYSTEM)		
	091-20832R	EXTRA LAY IN FOR EXTEND CONVEYORS (RIGHT HAND SIDE SYSTEM)		

LEFT HAND SIDE SYSTEM 30' CONVEYORS SHOWN



Cage Unloading System

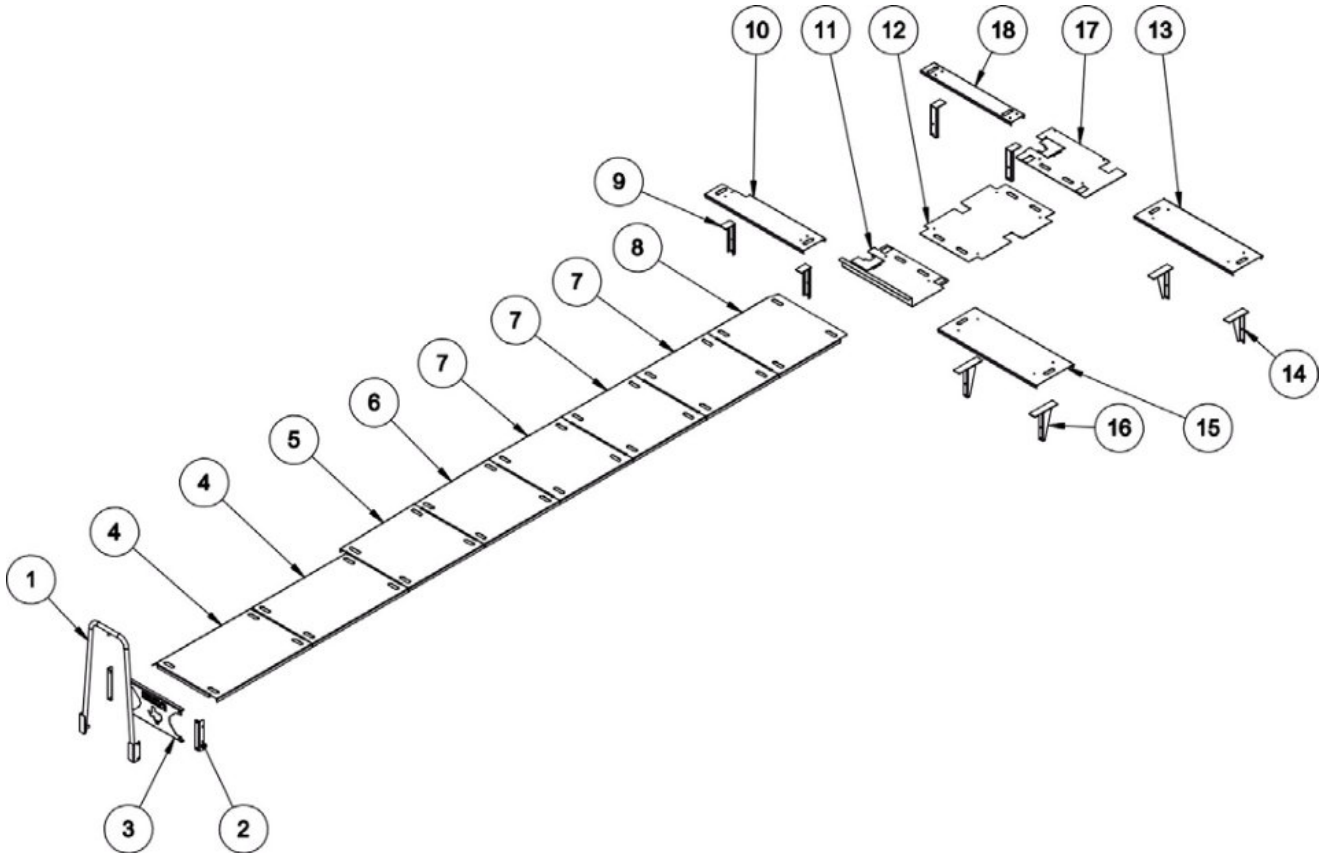
LAY IN KIT FOR SYSTEM WITH DOOR CLOSER (091-21840)

ITEM	PART NUMBER	DESCRIPTION	QTY	MODEL Or SERIAL #
8	091-21845L	SIXTH LAY IN WITH DOOR RAMP (LEFT HAND SIDE SYSTEM) (EXTENDED CONVEYOR)		
	091-21845R	SIXTH LAY IN WITH DOOR RAMP (RIGHT HAND SIDE SYSTEM) (EXTENDED CONVEYOR)		
	091-21842L	SIXTH LAY IN WITH DOOR RAMP (LEFT HAND SIDE SYSTEM) (20' CONVEYORS)		
	091-21842R	SIXTH LAY IN WITH DOOR RAMP (RIGHT HAND SIDE SYSTEM) (20' CONVEYORS)		
9	091-20831L	FIFTH LAY IN (LEFT HAND SIDE SYSTEM) (EXTENDED CONVEYORS)		
	091-20831R	FIFTH LAY IN (RIGHT HAND SIDE SYSTEM) (EXTENDED CONVEYORS)		
	091-20510L	FIFTH LAY IN (LEFT HAND SIDE SYSTEM) (20' CONVEYORS)		
	091-20510R	FIFTH LAY IN (RIGHT HAND SIDE SYSTEM) (20' CONVEYORS)		
10	091-20509L	FOURTH LAY IN W DOOR CLOSER (LEFT SIDE SYSTEM)		
	091-20509R	FOURTH LAY IN W DOOR CLOSER (RIGHT SIDE SYSTEM)		
11	091-21838	LAY-IN MOUNT 3	4	
12	091-20534.1	DUMPER LAY-IN (LEFT HAND SIDE SYSTEM)	1	
	091-20534.2	DUMPER LAY-IN (RIGHT HAND SIDE SYSTEM)	1	
13	091-21823L	THIRD LAY-IN WITHOUT WASHER WELDMENT (LEFT HAND SIDE SYSTEM)	1	
	091-21823R	THIRD LAY-IN WITHOUT WASHER WELDMENT (RIGHT HAND SIDE SYSTEM)	1	
14	091-21843	SECOND LAY-IN (SAME RIGHT OR LEFT SYSTEM)	1	
15	091-21834L	FIRST LAY-IN WITHOUT WASHER WELDMENT (LEFT HAND SIDE SYSTEM)	1	
	091-21834R	FIRST LAY-IN WITHOUT WASHER WELDMENT (RIGHT HAND SIDE SYSTEM)	1	
16	091-20577	DUMPER LAY-IN (SAME RIGHT OR LEFT SYSTEM)	1	
17	091-20504L	DOOR RAMP (LEFT HAND SIDE SYSTEM)		
	091-20504R	DOOR RAMP (RIGHT HAND SIDE SYSTEM)		
18	091-20576	DUMPER LAY-IN (SAME RIGHT OR LEFT SYSTEM)	1	
19	091-21836	LAY-IN MOUNT 1	2	
20	091-21837	LAY-IN MOUNT 2	2	
21	091-20575	BACK DUMPER LAY-IN	1	



Cage Unloading System

LAY IN KIT FOR SYSTEM WITHOUT DOOR CLOSER (091-21841)



LEFT HAND SIDE SYSTEM 30' CONVEYORS SHOWN



Cage Unloading System

LAY IN KIT FOR SYSTEM WITHOUT DOOR CLOSER (091-21841)

ITEM	PART NUMBER	DESCRIPTION	QTY	MODEL Or SERIAL #
1	091-21825	END RAIL ASSEMBLY		
2	091-20369.1	X-BRACE SUPPORT (RIGHT SIDE)		
	091-20369.2	X-BRACE SUPPORT (LEFT SIDE)		
3	091-20367A	CONVEYOR X- BRACE		
4	091-20512L	END CONVEYOR LAY IN (LEFT HAND SIDE SYSTEM)		
	091-20512R	END CONVEYOR LAY IN (RIGHT HAND SIDE SYSTEM)		
5	091-20587L	SECOND TAPERED LAY IN (LEFT HAND SIDE SYSTEM)		
	091-20587R	SECOND TAPERED LAY IN (RIGHT HAND SIDE SYSTEM)		
6	091-20588L	FIRST TAPERED LAY IN (LEFT HAND SIDE SYSTEM)		
	091-20588R	FIRST TAPERED LAY IN (RIGHT HAND SIDE SYSTEM)		
7	091-20832L	EXTRA LAY IN FOR EXTEND CONVEYORS (LEFT HAND SIDE SYSTEM)		
	091-20832R	EXTRA LAY IN FOR EXTEND CONVEYORS (RIGHT HAND SIDE SYSTEM)		
8	091-20589L	FOURTH LAY IN WITH OUT DOOR CLOSER (LEFT HAND SIDE SYSTEM)		
	091-20589R	FOURTH LAY IN WITH OUT DOOR CLOSER (RIGHT HAND SIDE SYSTEM)		
9	091-21838	LAY-IN MOUNT 3	4	
10	091-20534.1	DUMPER LAY-IN (LEFT HAND SIDE SYSTEM)	1	
	091-20534.2	DUMPER LAY-IN (RIGHT HAND SIDE SYSTEM)	1	
11	091-21835L	THIRD LAY-IN WITHOUT DOOR CLOSER WELDMENT (LEFT HAND SIDE SYSTEM)	1	
	091-21835R	THIRD LAY-IN WITHOUT DOOR CLOSER WELDMENT (RIGHT HAND SIDE SYSTEM)	1	
12	091-21843	SECOND LAY-IN SAME RIGHT OR LEFT SYSTEM)	1	
13	091-20577	DUMPER LAY-IN (SAME RIGHT OR LEFT SYSTEM)	1	
14	091-21837	LAY-IN MOUNT 2	2	
15	091-20576	DUMPER LAY-IN (SAME RIGHT OR LEFT SYSTEM)	1	
16	091-21836	LAY-IN MOUNT 1	2	
17	091-21834L	FIRST LAY-IN WITHOUT WASHER WELDMENT (LEFT HAND SIDE SYSTEM)	1	
	091-21834R	FIRST LAY-IN WITHOUT WASHER WELDMENT (RIGHT HAND SIDE SYSTEM)	1	
18	091-20575	BACK DUMPER LAY-IN	1	



Cage Unloading System



Cage Unloading System

Section 10

Hydraulic Components

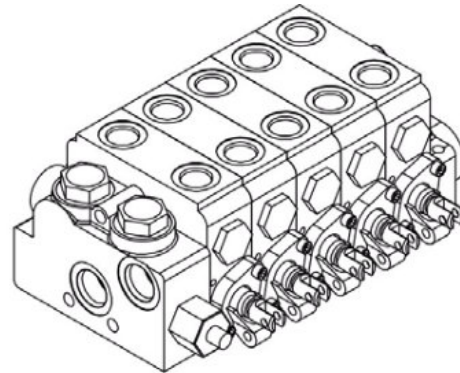
Contents

Hydraulic Control Valves (Manual) - - - - -	2
Std Manifold Assy with D07 Safety valves (Prior to 05/2016) - - - - -	4
Manifold Assy with Explosion Proof Valves (05/2016 thru 12/2016)- -	6
Hydraulic Door Closer Circuit - - - - -	8
Incoming Rollers Circuit - - - - -	10
Outgoing Rollers Circuit - - - - -	12
Safety Arm Circuit - - - - -	14
Cradle Tilt Circuit- - - - -	16
Transfer Chain Circuit - - - - -	18
Rigid Piping and Support - - - - -	20
Anti-Shake System Assembly - - - - -	22
Belt Drive Circuit - - - - -	24
Manifold Assy. w/Explosion Proof Valves (2017 and Later) - - - - -	26

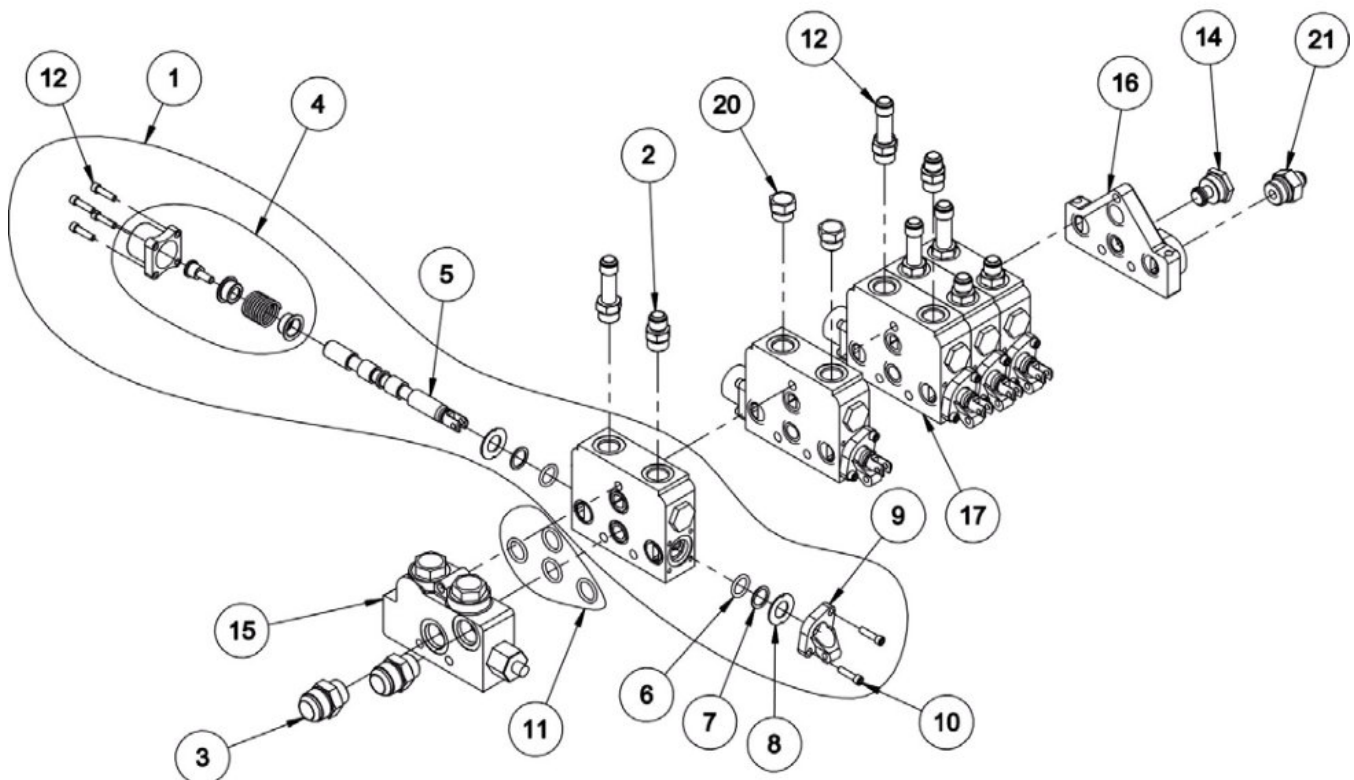


Cage Unloading System

HYDRAULIC CONTROL VALVE (091-23119) (5 Sections Assy)



V20 AS RECIEVED
(NO FITTINGS)
810-00080





Cage Unloading System

HYDRAULIC CONTROL VALVE (091-23119) (5 Sections Assy)

ITEM	PART NUMBER	DESCRIPTION	QTY	MODEL Or SERIAL #
1	810-00013	V20 WORK SECTION (3 POSITION, 4 WAY)	-	
	630-00015	COMPLETE SEAL KIT FOR WORK SECTION	1	
2	330-00036	STRAIGHT ADAPTOR SAE #10 MALE X JIC #8 MALE	4	
3	330-00038	STRAIGHT ADAPTOR SAE #12 MALE X JIC #16 MALE	2	
4	810-00128	END CUP WITH SPOOL POSITIONER	-	
5	-	VALVE SPOOL	-	
6	-	SPOOL O-RING	-	
7	-	BACK-UP RING	-	
	630-00017	SPOOL SEAL KIT (INCLUDES 2 EACH OF ITEM 6 & 7)		
8	-	WASHER	-	
9	810-00062	HANDLE BRACKET	-	
10		1/4-20 X 7/8" LONG SOCKET HEAD CAP SCREW	-	
11	630-00018	SEAL KIT	-	
12	330-00772	LONG STRAIGHT ADAPTOR SAE #10 MALE X JIC #8 MALE	4	
13	810-00136	BOLT KIT FOR FIVE SECTION V20 (NOT SHOWN)	-	
14	810-00143	OUTLET COVER CENTER PLUG	-	
15	810-00110	V20 INLET COVER	-	
16	810-00111	V20 OUTLET COVER	-	
17	810-00014	V20 WORK SECTION WITH MOTOR SPOOL FOR CRADLE TILT	-	
18	810-00080	COMPLETE 5 SECTION V20 AS SHIPPED (NO FITTINGS)	1	
19	330-00049	HEX HEAD PLUG SAE #12	1	
20	330-00048	HEX HEAD PLUG SAE #10	2	
21	330-00039	STRAIGHT ADAPTER SAE #12 MALE X JIC #8 MALE	1	

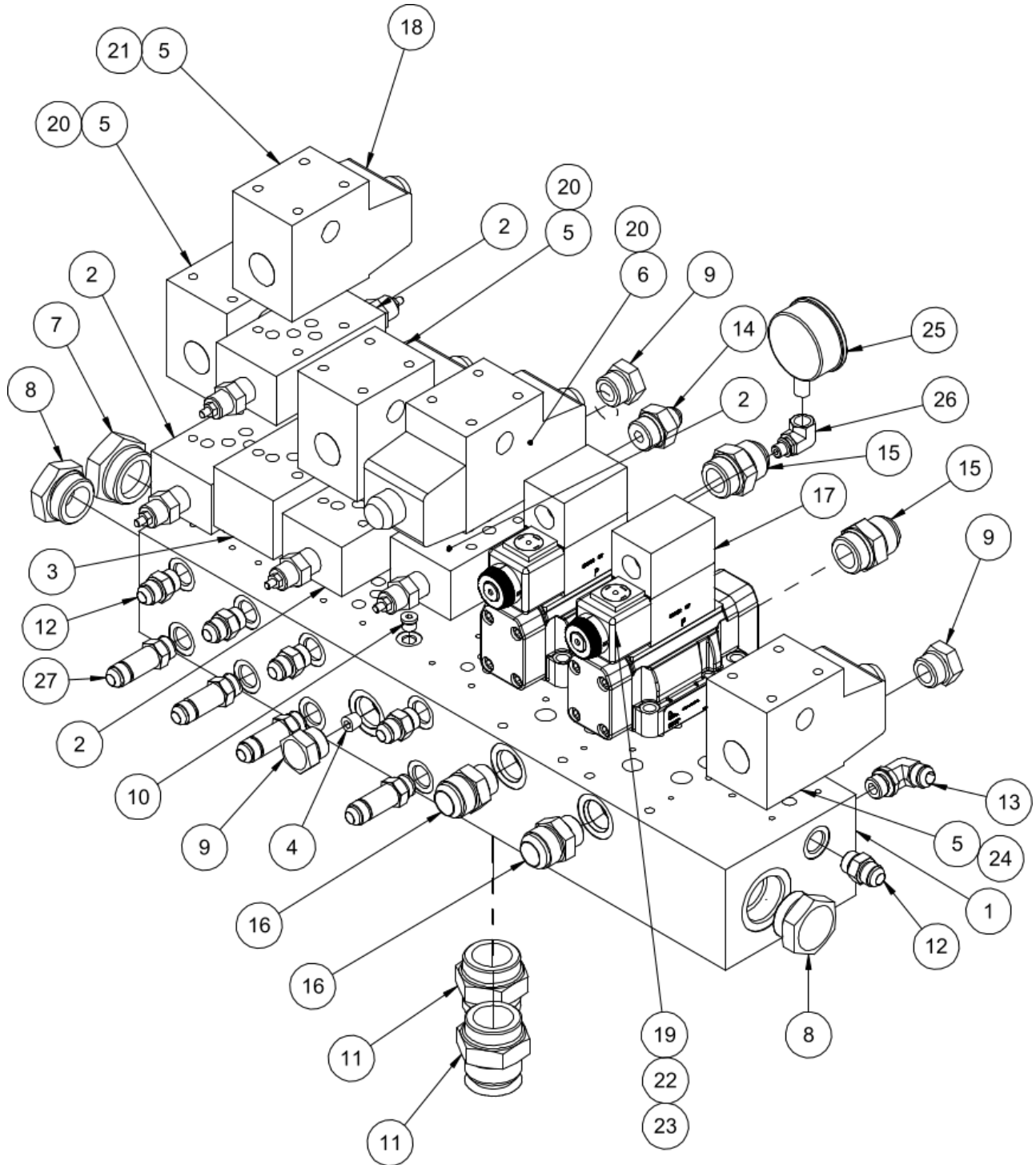
Note: 630-00015 includes the o-rings to completely rebuild one valve section. The kit includes the o-rings shown in 630-00018 (Item 11) plus spool o-rings (Item 6), load check valve o-rings, and load check valve back up rings. 630-00018 includes only the o-rings between the sections (shown in Item 11).

Enough o-rings are included for one valve section or an outlet cover.



Cage Unloading System

**STD. MANIFOLD ASSY. WITH D07 SAFETY VALVES (091-23125)
(Prior to 05/2016)**

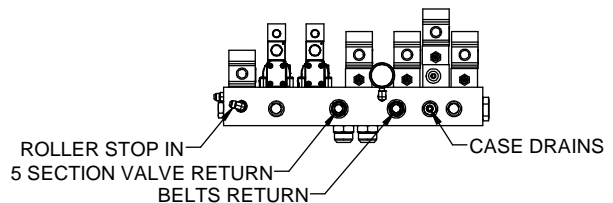
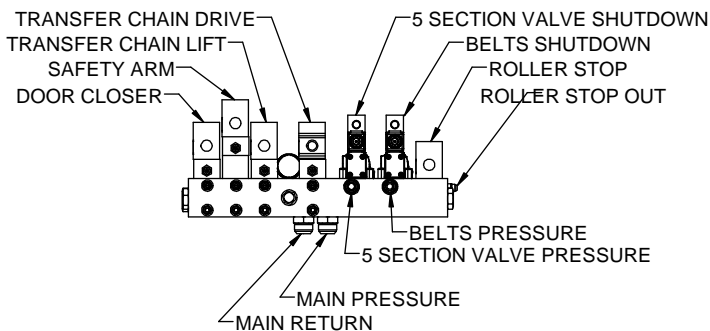




Cage Unloading System

STD. MANIFOLD ASSY. WITH D07 SAFETY VALVES (091-23125) (Prior to 05/2016)

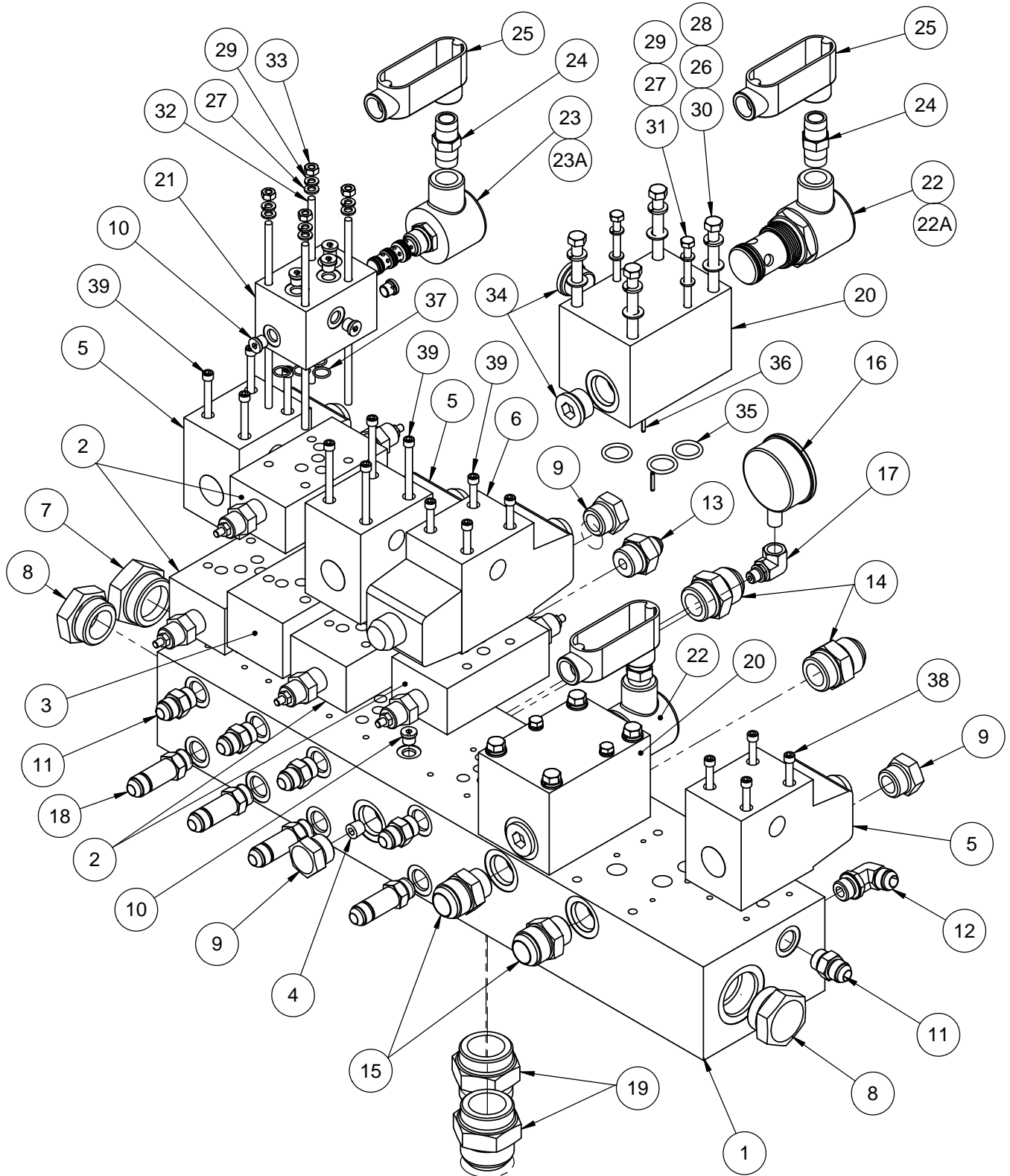
ITEM	PART NUMBER	DESCRIPTION	QTY	MODEL Or SERIAL #
1	091-24072	STD UNLOADING SYSTEM MANIFOLD (DO7 VALVES)	1	
2	810-00192	VICKERS FLOW CONTROL VALVE	4	
3	810-00227	VICKERS PRESSURE REDUCING VALVE	1	
4	091-20665	1/32" ORIFICE FOR MANIFOLD	1	
5	810-00185	VICKERS ELECTRIC SOLENOID VALVE-SINGLE	4	
6	810-00189	VICKERS ELECTRIC SOLENOID VALVE-DUAL	1	
7	330-00050.1	HEX HEAD PLUG SAE #24	1	
8	330-00050	HEX HEAD PLUG SAE #20	2	
9	330-00049	HEX HEAD PLUG SAE #12	3	
10	330-00619	SAE #4 PLUG	1	
11	330-00041	STRAIGHT CONNECTOR SAE #24 MALE X JIC #24 MALE	2	
12	330-00046	STRAIGHT ADAPTOR SAE #8 MALE X JIC #8 MALE	5	
13	330-00115	90° ADAPTER SAE #8 MALE X JIC #8 MALE	1	
14	330-00039	STRAIGHT ADAPTER SAE #12 MALE X JIC #8 MALE	1	
15	330-00237	STRAIGHT ADAPTOR SAE #16 MALE X JIC #16 MALE	2	
16	330-00038	STRAIGHT ADAPTOR SAE #12 MALE X JIC #16 MALE	2	
17	810-00249	DO7 SIZE VALVE FOR SHUT DOWN	2	
18	810-00213	COIL FOR D05 SIZE VALVE (SINGLE OR DUAL)	6	
19	810-00250	COIL FOR D07 SIZE VALVE	2	
20	REF	SOCKET HEAD CAP SCREW 1/4-20 X 3-1/2" LONG	12	
21	REF	SOCKET HEAD CAP SCREW 3/8-16 X 6" LONG	4	
22	REF	SOCKET HEAD CAP SCREW 3/8-16 X 1-1/2" LONG	4	
23	REF	SOCKET HEAD CAP SCREW 1/4-20 X 1-1/2" LONG	2	
24	REF	SOCKET HEAD CAP SCREW 3/8-16 X 1-3/4" LONG	4	
25	290-00001	PRESURE GAUGE 0-3000PSI	1	
26	330-00799	STRAIGHT THREAD ELBOW TO FEMALE NPT (ORB 04 TO 1/4 NPT)	1	
27	330-00666	LONG STRAIGHT CONNECTOR (8-08)	4	





Cage Unloading System

MANIFOLD WITH EXPLOSION PROOF VALVES (091-21962)
(05/2016 thru 12/2016)





Cage Unloading System

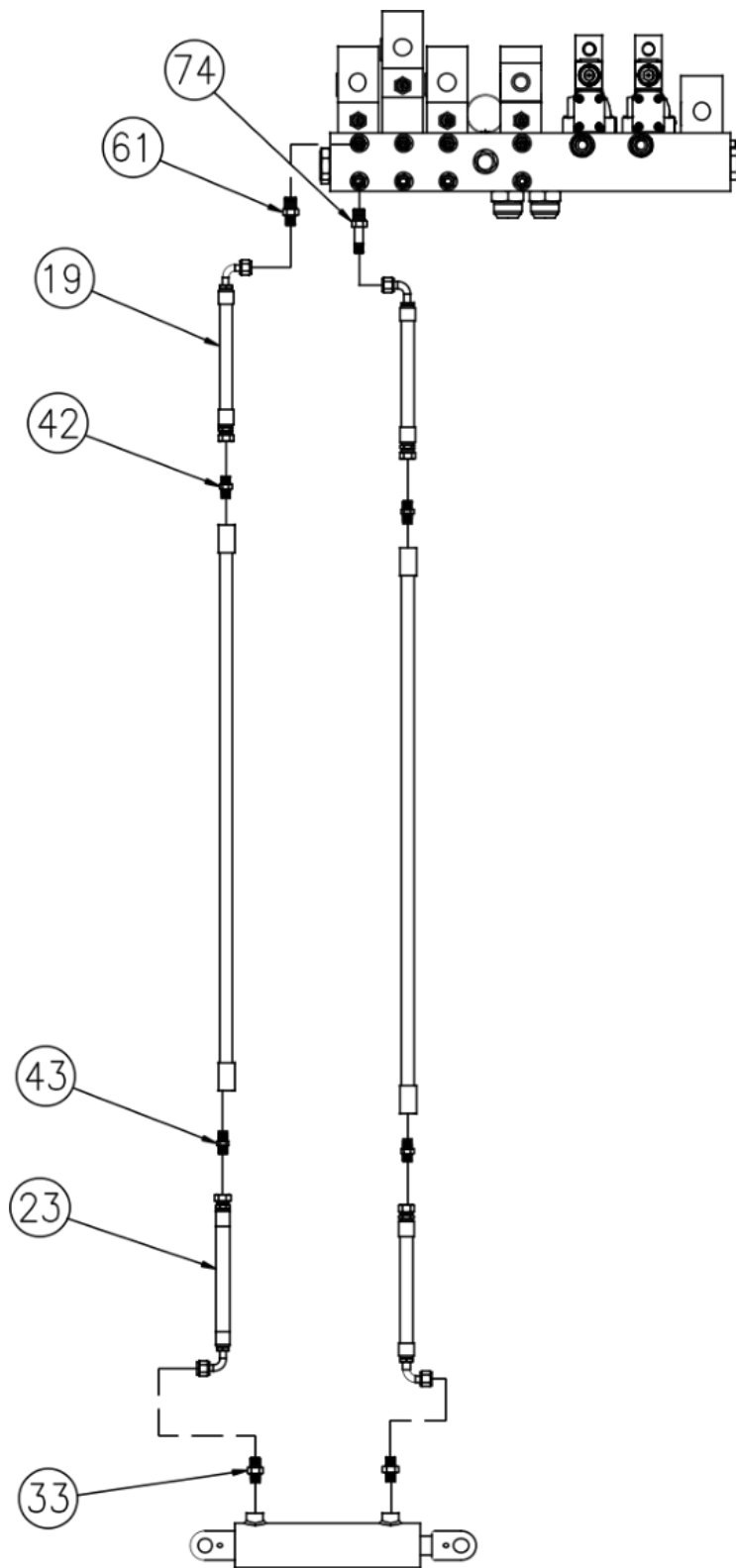
MANIFOLD WITH EXPLOSION PROOF VALVES (091-21962)
(05/2016 Thru 12/2016) See pg.10-26 for 2017 and Later

ITEM	PART NUMBER	DESCRIPTION	QTY	MODEL Or SERIAL #
1	091-24072	STD UNLOADING SYSTEM MANIFOLD	1	
2	810-00192	VICKERS FLOW CONTROL VALVE	4	
3	810-00227	VICKERS PRESSURE REDUCING VALVE	1	
4	091-20665	1/32" ORIFICE FOR MANIFOLD	1	
5	810-00185	VICKERS ELECTRIC SOLENOID VALVE-SINGLE	3	
6	810-00189	VICKERS ELECTRIC SOLENOID VALVE -DUAL	1	
7	330-00050.1	HEX HEAD PLUG SAE #24	1	
8	330-00050	HEX HEAD PLUG SAE #20	2	
9	330-00049	HEX HEAD PLUG SAE #12	3	
10	330-00669-1	SAE# 4 HOLLOW HEX PLUG	7	
11	330-00046	STRAIGHT ADAPTOR SAE #8 MALE X JIC #8 MALE	5	
12	330-00115	90 DEG. ADAPTER SAE #8 MALE X JIC #8 MALE	1	
13	330-00039	STRAIGHT ADAPTER SAE #12 MALE X JIC #8 MALE	1	
14	330-00237	STRAIGHT ADAPTOR SAE #16 MALE X JIC #16 MALE	2	
15	330-00038	STRAIGHT ADAPTOR SAE #12 MALE X JIC #16 MALE	2	
16	290-00001	PRESSURE GAUGE 0-3000 PSI	1	
17	330-00799	STRAIGHT THREAD ELBOW TO FEMALE NPT	1	
18	330-00666	LONG STRAIGHT CONNECTOR (08-08)	4	
19	330-00041	STRAIGHT CONNECTOR (24-24)	2	
20	091-24336	SANDWICH BLOCK (D07) FOR CARTRIDGE (C-20-2)	2	
21	091-24337	SANDWICH BLOCK (D05) FOR CARTRIDGE (C-10-4)	1	
22	091-24338	EXPLOSION PROOF CARTRIDGE VALVE (C-20-2)	2	
23	091-24339	EXPLOSION PROOF CARTRIDGE VALVE (C-10-4)	1	
22A / 23A	091-24340	COIL FOR 091-24338 / 091-24339		
24	330-00004	1/2" X 1/2" NPT NIPPLE	3	
25	190-00230	1/2" LB W COVER AND GASKET	3	
26	REF.	3/8" FLATWASHER HARDENED	8	
27	REF.	1/4" FLATWASHER HARDENED	8	
28	210-00315	3/8 LOCKWASHER	8	
29	REF.	LOCKWASHER	8	
30	REF	SCREW CAP HEX HD NC GR 8 (3/8-16 X 4" LG)	8	
31	REF.	SCREW CAP HEX HD NC GR 8 (1/4-20 X 4" LG)	4	
32	091-24347	THREADED ROD FOR VALVE	4	
33	REF	NUT HEX NC GRADE 5 (1/4-20 NC)	4	
34	330-00669-2	SAE #12 HOLLOW HEX PLUG	4	
35	091-24341	ORING AS-568-211	6	
36	850-00880-08	ROLL PIN 1/8 X 3/4	4	
37	091-24342	ORING AS-568-014	5	
38	210-00239	SOCKET HEAD CAP SCREW 1/4-20 X 1-3/4 LG	4	
39	210-00241	SOCKET HEAD CAP SCREW 1/4-20 X 3-1/2 LG	12	



Cage Unloading System

STD HYDRAULIC DOOR CLOSER CIRCUIT





Cage Unloading System

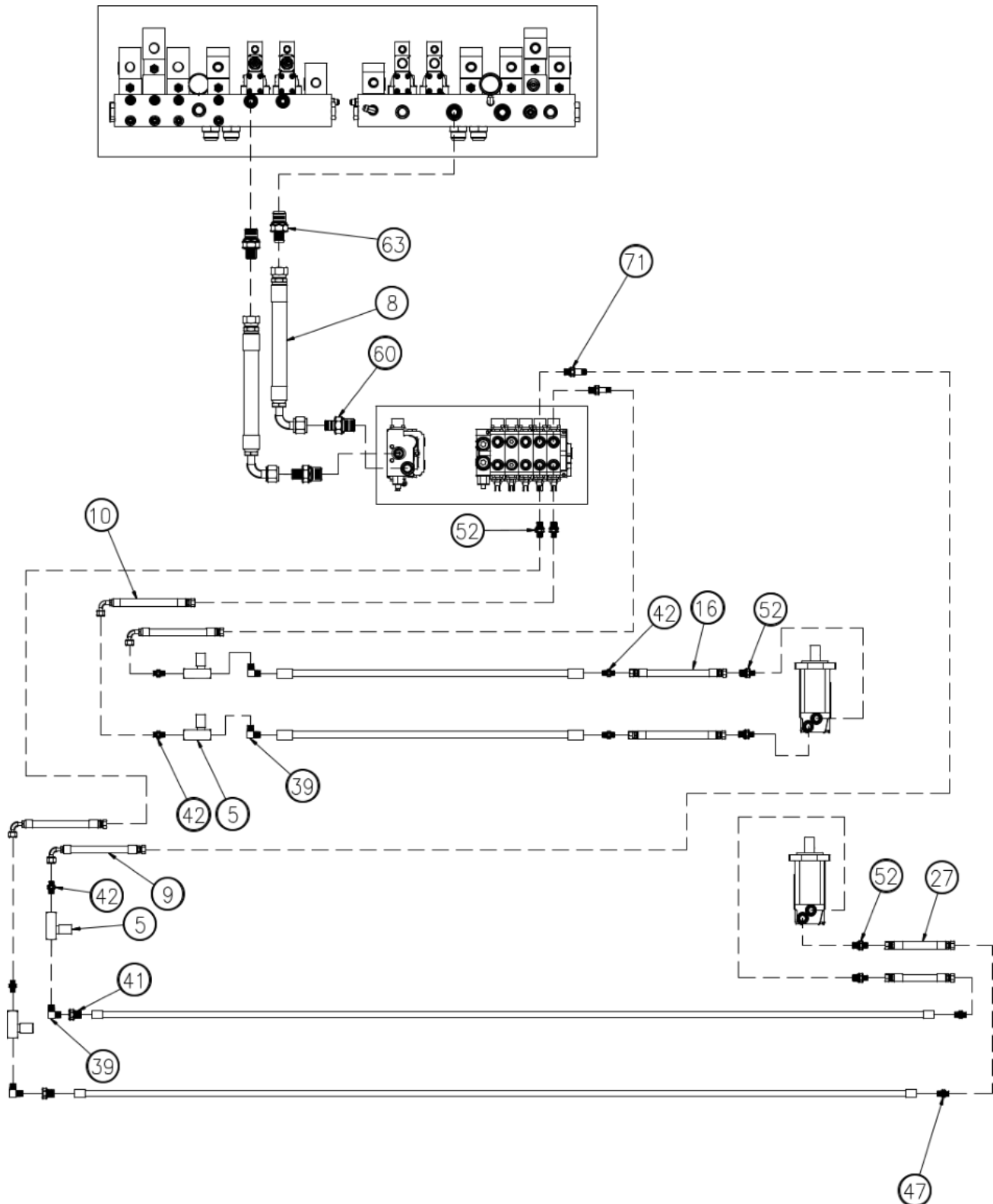
STD HYDRAULIC DOOR CLOSER CIRCUIT

ITEM	PART NUMBER	DESCRIPTION	QTY	MODEL Or SERIAL #
19	091-00390	1/2" X 26" STRAIGHT - 90° (PIPE TO X OVER UP/ VALVE TO S.A PIPE / VALVE TO D.C. PIPE)	9	
23	091-00394	3/8" X 74" STRAIGHT - 90° (PIPE TO DOOR CLOSER)	2	
33	330-00016	STRAIGHT ADAPTOR 3/8" MALE PIPE X JIC #6 MALE	2	
42	330-00020	STRAIGHT ADAPTOR 1/2" MALE PIPE X JIC #8 MALE	35	
43	330-00019	STRAIGHT ADAPTOR 1/2" MALE PIPE X JIC #6 MALE	5	
61	330-00046	STRAIGHT ADAPTOR SAE #8 MALE X JIC # 8 MALE	6	
74	330-00666	LONG STRAIGHT ADAPTOR SAC #8 MALE X #8 MALE	4	



Cage Unloading System

STD INCOMING ROLLERS CIRCUIT





Cage Unloading System

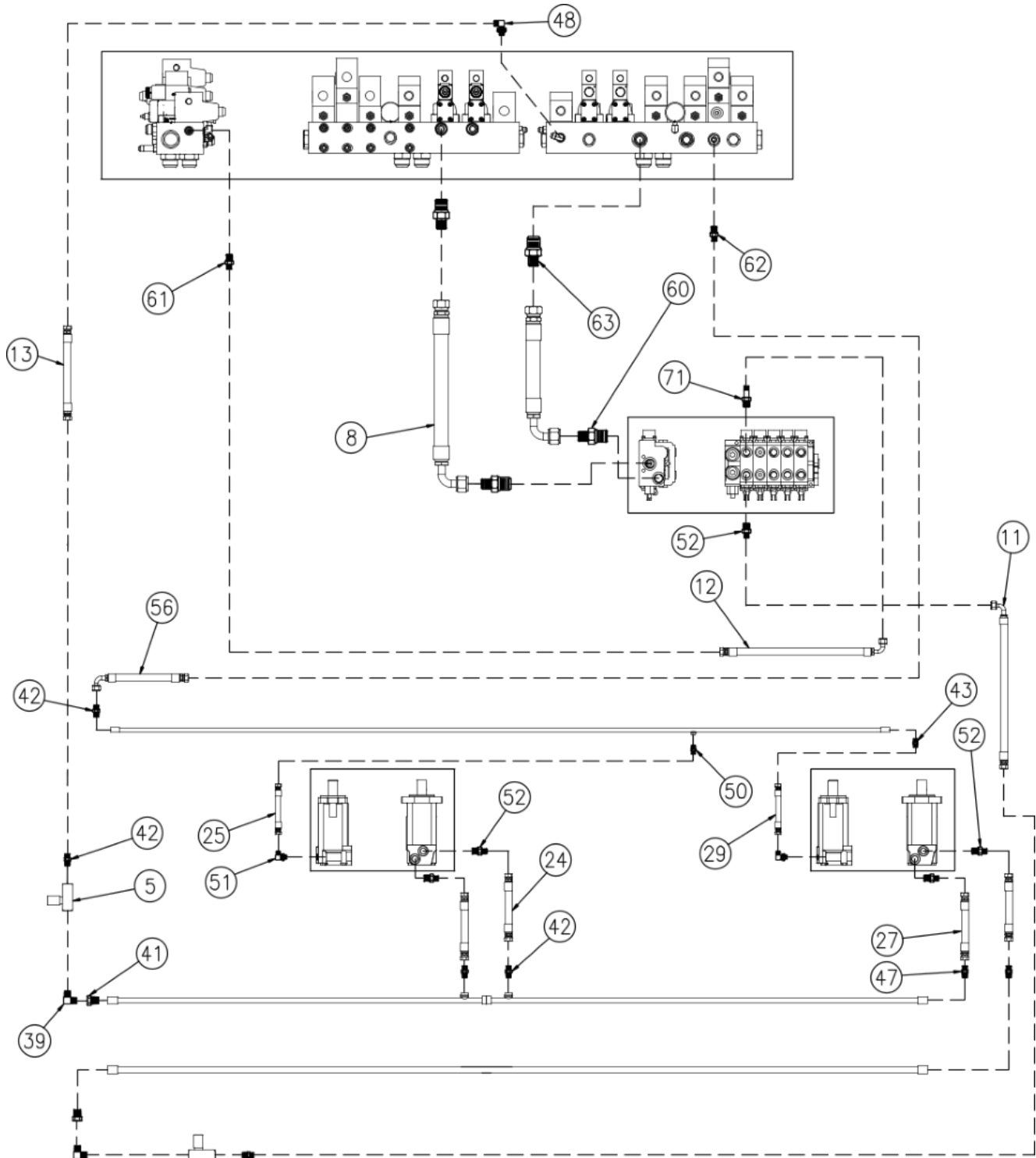
STD INCOMING ROLLERS CIRCUIT

ITEM	PART NUMBER	DESCRIPTION	QTY	MODEL Or SERIAL #
5	330-00144	FLOW CONTROL VALVE	8	
8	091-00379	1" X 23" STRAIGHT - 90° (MANIFOLD TO FIVE SEC)	2	
9	091-00380	1/2" X 46" STRAIGHT - 90° (FIVE SEC TO INCOMING PIPE)	4	
10	091-00381	1/2" X 32" STRAIGHT - 90° (FIVE SEC TO DUMPER ROLL PIPE / PIPE TO X OVER DN)	6	
16	091-00387	1/2" X 25" STRAIGHT - STRAIGHT (PIPE TO DUMPER ROLLERS)	2	
27	091-00398	1/2" X 52" STRAIGHT - STRAIGHT (PIPE TO SECOND INCOMING/OUTGOING MOTOR)	4	
39	330-00083	90° ADAPTOR 1/2" MALE PIPE X 1/2" MALE PIPE	7	
41	330-00006	1/2" X 1" PIPE BUSHING	4	
42	330-00020	STRAIGHT ADAPTOR 1/2" MALE PIPE X JIC #8 MALE	35	
47	330-00006	STRAIGHT ADAPTOR 1" MALE PIPE X JIC #8 MALE	4	
52	330-00036	STRAIGHT ADAPTOR SAE #10 MALE X JIC #8 MALE	10	
60	330-00038	STRAIGHT ADAPTOR SAE #12 MALE X JIC #16 MALE (INCLUDED IN 5 SEC ASSY)	-	
63	330-00237	STRAIGHT ADAPTOR SAE #16 MALE X JIC #16 MALE (INCLUDED IN MANIFOLD ASSY)	-	
71	330-00772	LONG STRAIGHT ADAPTOR #10 SAE MALE X #8 JIC MALE (INCLUDED IN 5 SEC ASSY)	-	



Cage Unloading System

STD OUTGOING ROLLERS CIRCUIT





Cage Unloading System

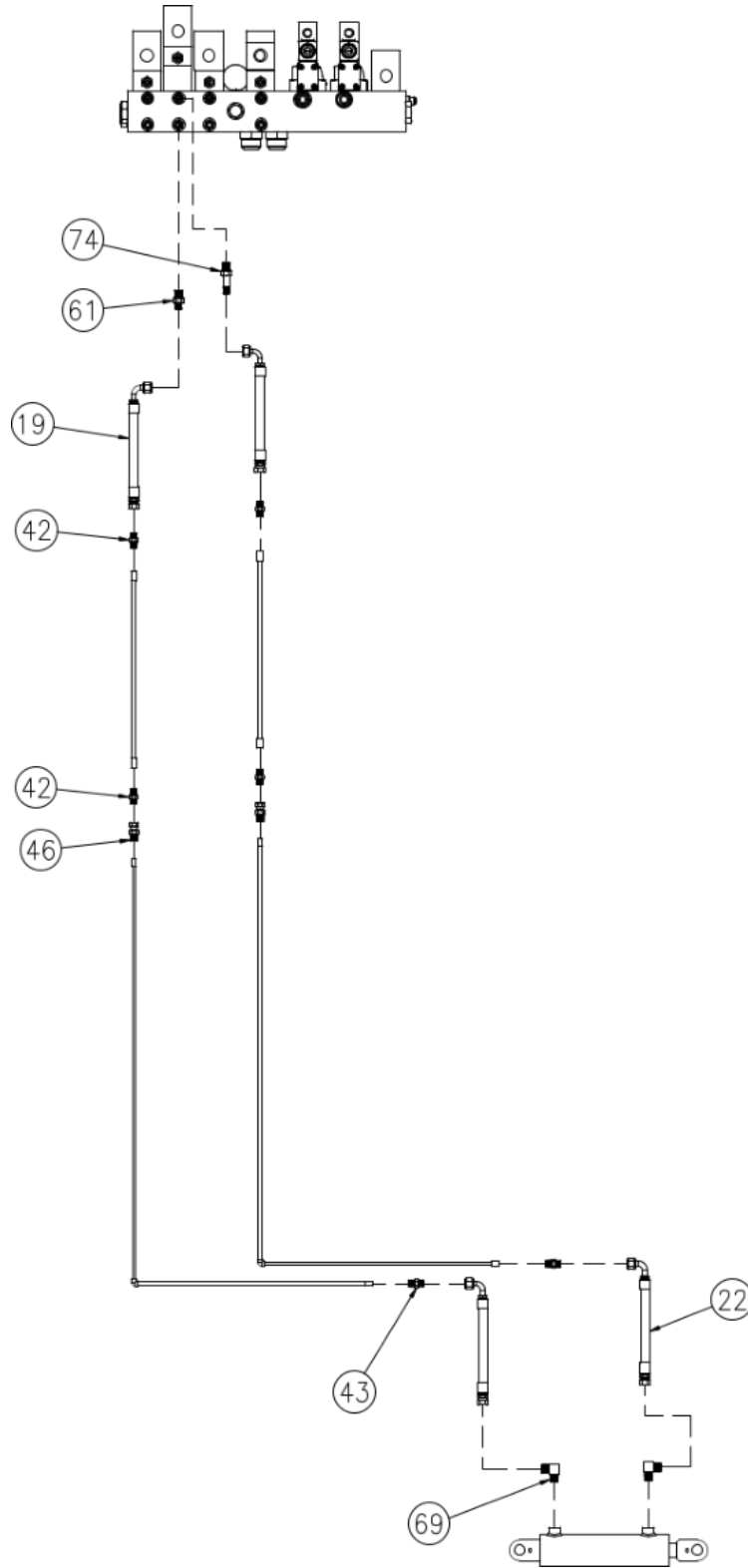
STD OUTGOING ROLLERS CIRCUIT

ITEM	PART NUMBER	DESCRIPTION	QTY	MODEL Or SERIAL #
5	330-00144	FLOW CONTROL VALVE	8	
8	091-00379	1" X 23" STRAIGHT - 90° (MANIFOLD TO FIVE SEC)	2	
11	091-00382	1/2" X 64" STRAIGHT - 90° (FIVE SEC TO OUTGOING PIPE)	1	
12	091-00383	1/2" X 36" STRAIGHT - 90° (FIVE SEC TO ROLLER STOP VALVE)	2	
13	091-00384	1/2" X 48" STRAIGHT - STRAIGHT (ROLLER STOP VALVE TO OUTGOING PIPE)	1	
24	091-00395	1/2" X 32" STRAIGHT - STRAIGHT (PIPE TO WASHER BOTTOM ROLLS)	2	
25	091-00396	1/4" X 28" STRAIGHT - STRAIGHT (WASHER BOTTOM ROLLS CASE DRAIN TO PIPE)	1	
27	091-00398	1/2" X 52" STRAIGHT - STRAIGHT (PIPE TO SECOND INCOMING/OUTGOING MOTOR)	4	
29	091-00400	3/8" X 60" STRAIGHT - STRAIGHT (SECOND INCOMING/OUTGONG MOTOR CASE DRAIN	1	
39	330-00083	90° ADAPTOR 1/2" MALE PIPE X 1/2" MALE PIPE	7	
41	330-00006	1/2" X 1" PIPE BUSHING	4	
42	330-00020	STRAIGHT ADAPTOR 1/2" MALE PIPE X JIC #8 MALE	35	
43	330-00019	STRAIGHT ADAPTOR 1/2" MALE PIPE X JIC #6 MALE	5	
47		STRAIGHT ADAPTOR 1" MALE PIPE X JIC #8 MALE	4	
48	330-00115	90° ADAPTOR SAE #8 MALE X JIC #8 MALE	5	
50	330-00014.1	STRAIGHT ADAPTOR 1/4 MALE PIPE X JIC #6 MALE	1	
51	330-00363	90° ADAPTOR SAE #4 MALE X JIC #6 MALE	2	
52	330-00036	STRAIGHT ADAPTOR SAE #10 MALE X JIC #8 MALE	10	
56	091-00403	1/2" X 79" STRAIGHT - 90° (CASE DRAIN PIPE TO MANIFOLD)	1	
60	330-00038	STRAIGHT ADAPTOR SAE #12 MALE X JIC #16 MALE (INCLUDED IN 5 SEC ASSY)	-	
61	330-00046	STRAIGHT ADAPTOR SAE #8 MALE X JIC # 8 MALE	10	
62	330-00039	STRAIGHT ADAPTOR SAE #12 SAE MALE X JIC #8 MALE (INCLUDED IN 5 SEC ASSY)	-	
63	330-00237	STRAIGHT ADAPTOR SAE #16 MALE X JIC #16 MALE (INCLUDED IN MANIFOLD ASSY)	-	
71	330-00772	LONG STRAIGHT ADAPTOR #10 SAE MALE X #8 JIC MALE (INCLUDED IN 5 SEC ASSY)	-	



Cage Unloading System

STD SAFETY ARM CIRCUIT





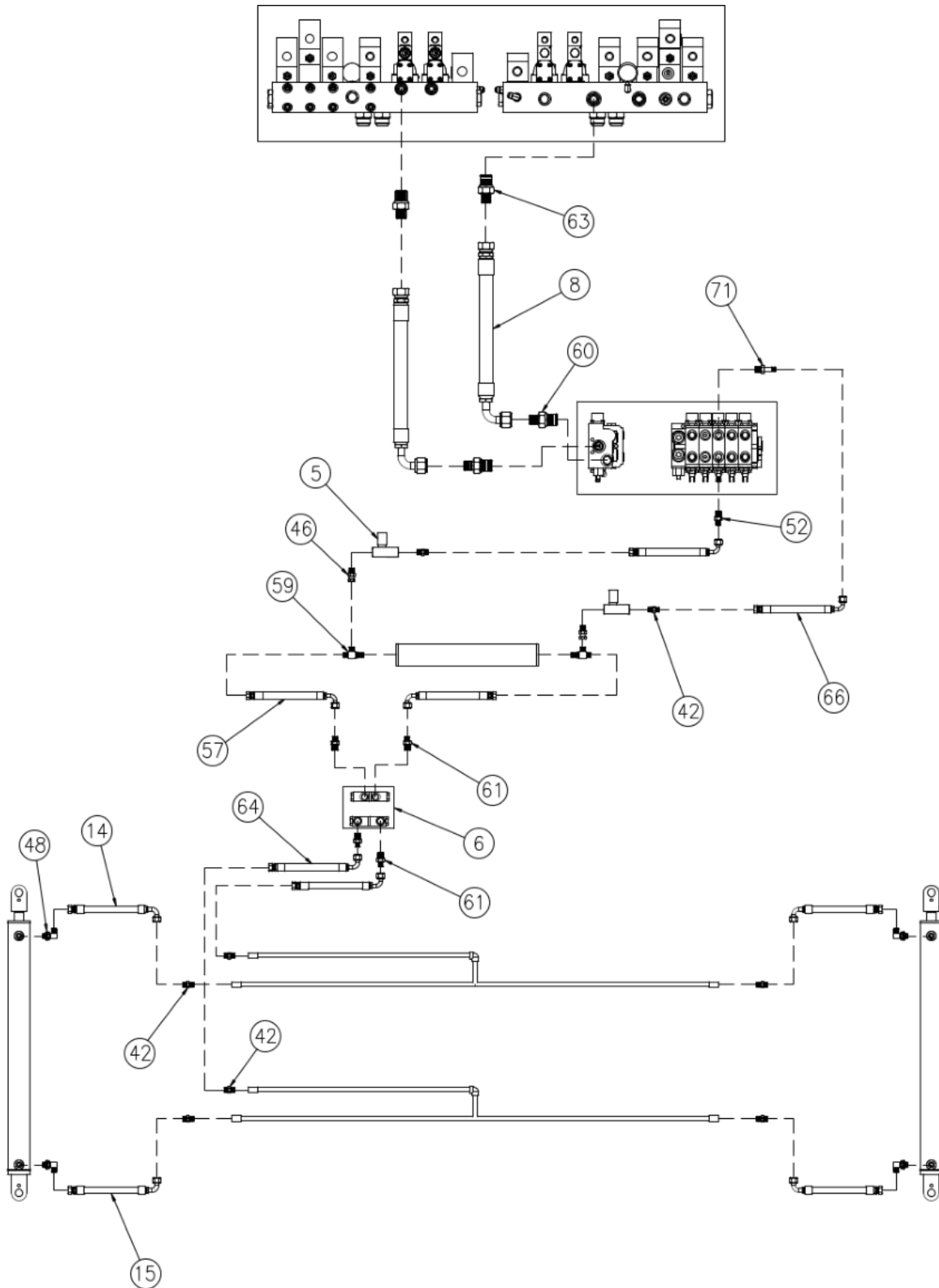
Cage Unloading System

STD SAFETY ARM CIRCUIT

ITEM	PART NUMBER	DESCRIPTION	QTY	MODEL Or SERIAL #
19	091-00390	1/2" X 26" STRAIGHT - 90° (PIPE TO X OVER UP/ VALVE TO S.A PIPE / VALVE TO D.C. PIPE)	9	
22	091-00393	3/8" X 60" STRAIGHT - 90° (PIPE TO SAFETY ARM)	2	
42	330-00020	STRAIGHT ADAPTOR 1/2" MALE PIPE X JIC #8 MALE	35	
43	330-00019	STRAIGHT ADAPTOR 1/2" MALE PIPE X JIC #6 MALE	5	
46	330-00768	STRAIGHT ADAPTOR 1/2" MALE PIPE X JIC #8 SWIVEL	2	
61	330-00046	STRAIGHT ADAPTOR SAE #8 MALE X JIC # 8 MALE	6	
69	330-00114	90° ADAPTOR SAE #6 MALE X JIC #6 MALE	2	
74	330-00666	LONG STRAIGHT ADAPTOR	4	

Cage Unloading System

STD CRADLE TILT CIRCUIT





Cage Unloading System

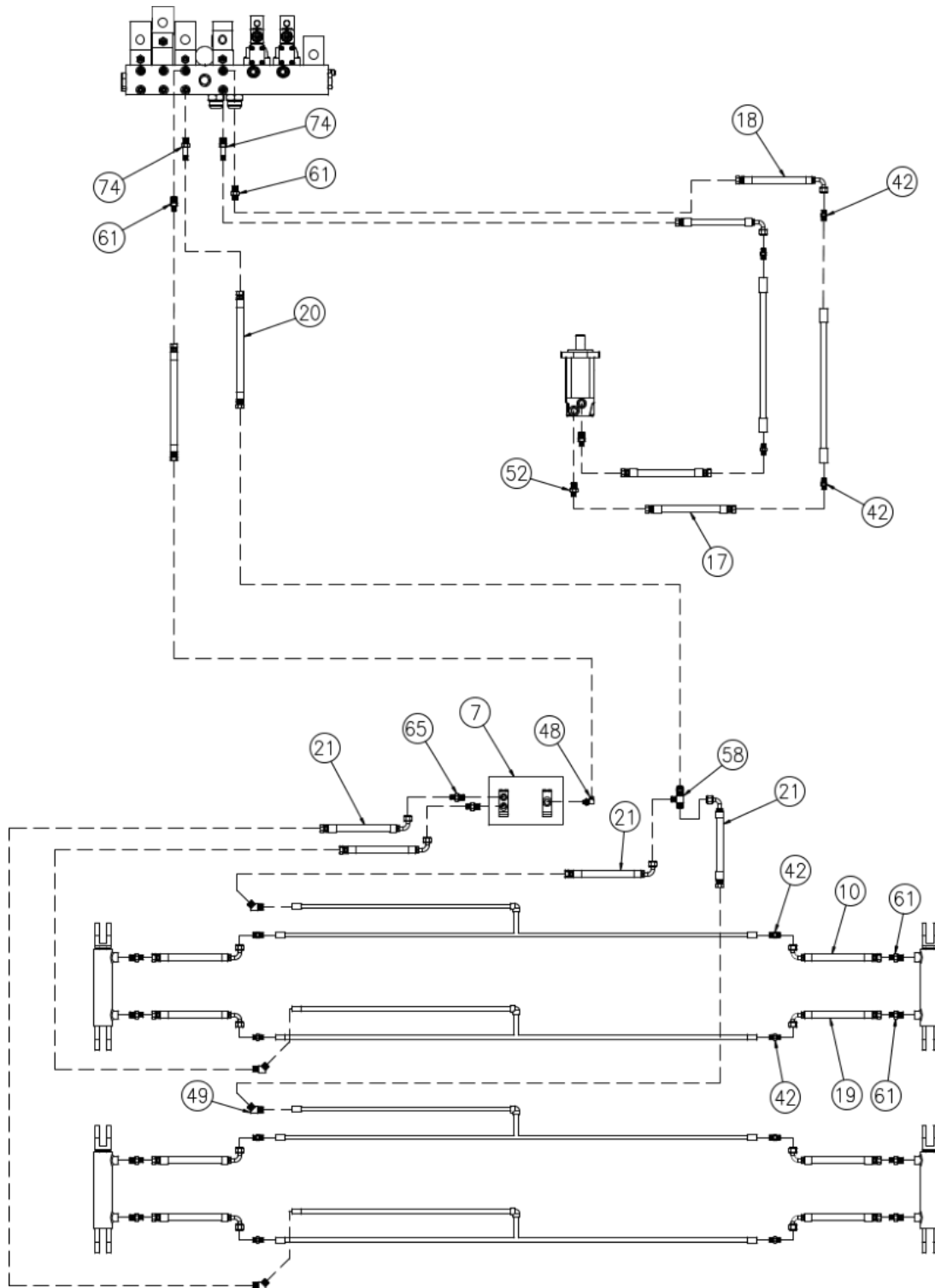
STD CRADLE TILT CIRCUIT

ITEM	PART NUMBER	DESCRIPTION	QTY	MODEL Or SERIAL #
5	330-00144	FLOW CONTROL VALVE	8	
6	810-00020	DOUBLE PILOTED CHECK VALVE	1	
8	091-00379	1" X 23" STRAIGHT - 90° (MANIFOLD TO FIVE SEC)	2	
9	091-00380	1/2 X 46" STRAIGHT - 90° (FIVE SEC TO INCOMING PIPE)	4	
12	091-00383	1/2" X 36" STRAIGHT - 90° (FIVE SEC TO ROLLER STOP VALVE)	2	
14	091-00385	1/2" X 35" STRAIGHT - 90° (PIPE TO DUMP DN)	2	
15	091-00386	1/2" X 7-1/2" STRAIGHT - 90° (PIPE TO DUMP UP)	2	
19	091-00390	1/2" X 26" STRAIGHT - 90° (PIPE TO X OVER UP/ VALVE TO S.A PIPE / VALVE TO D.C. PIPE)	9	
42	330-00020	STRAIGHT ADAPTOR 1/2" MALE PIPE X JIC #8 MALE	35	
48	330-00115	90° ADAPTOR SAE #8 MALE X JIC #8 MALE	5	
57	091-00404	1/2" X 16" STRAIGHT - 90° (ANTI-SHAKE CYLINDER TOP TO CHECK VALVE)	1	
59	330-00138	90° ADAPTOR 1/2" NPT MALE X SAE #8 MALE	1	
60	330-00038	STRAIGHT ADAPTOR SAE #12 MALE X JIC #16 MALE (INCLUDED IN 5 SEC ASSY)	-	
61	330-00046	STRAIGHT ADAPTOR SAE #8 MALE X JIC # 8 MALE	10	
63	330-00237	STRAIGHT ADAPTOR SAE #16 MALE X JIC #16 MALE (INCLUDED IN MANIFOLD ASSY)	-	
64	091-00405	1/2" X 40" STRAIGHT - 90°	2	
66	091-00406	1/2" X 30" STRAIGHT - STRAIGHT (ANTI-SHAKE VALVE TO CHECK VALVE)	2	
71	330-00772	LONG STRAIGHT ADAPTOR #10 SAE MALE X #8 JIC MALE (INCLUDED IN 5 SEC ASSEMBLY)	-	
72	330-00135	STRAIGHT ADAPTOR 1/2 NPT MALE X SAE #8 MALE	1	
73	330-00084	90° ADAPTOR 1/2" NPT MALE X 1/2" NPT FEMALE	1	



Cage Unloading System

STD TRANSFER CHAIN CIRCUIT





Cage Unloading System

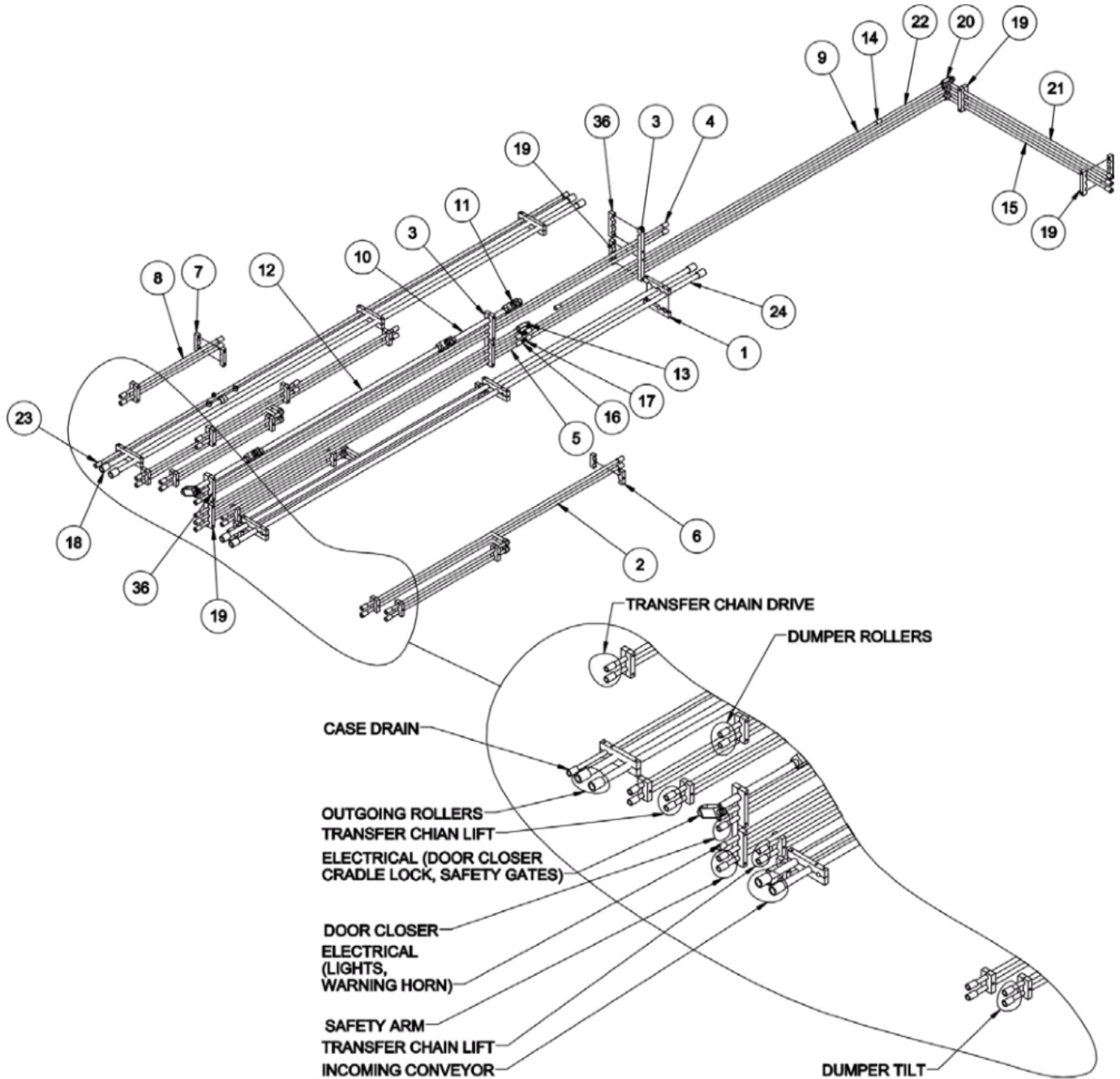
STD TRANSFER CHAIN CIRCUIT

ITEM	PART NUMBER	DESCRIPTION	QTY	MODEL Or SERIAL #
7	091-20525	FLOW DIVIDER	1	
10	091-00381	1/2" X 32" STRAIGHT - 90° (FIVE SEC TO DUMPER ROLL PIPE / PIPE TO X OVER DN)	6	
17	091-00388	1/2" X 18" STRAIGHT - STRAIGHT (PIPE TO X OVER CHAIN MOTOR)	2	
18	091-00389	1/2" X 44" STRAIGHT - 90° (VALVE TO X OVER CHAIN DRIVE PIPE)	2	
19	091-00390	1/2" X 26" STRAIGHT - 90° (PIPE TO X OVER UP/ VALVE TO S.A PIPE / VALVE TO D.C. PIPE)	9	
20	091-00391	1/2" X 23" STRAIGHT - STRAIGHT (VALVE TO TEE / FLOW DIVIDER)	2	
21	091-00392	1/2" X 35" STRAIGHT - 90° (TEE/FLOW DIVIDER TO X OVER LIFT PIPE)	4	
42	330-00020	STRAIGHT ADAPTOR 1/2" MALE PIPE X JIC #8 MALE	35	
48	330-00115	90° ADAPTOR SAE #8 MALE X JIC #8 MALE	5	
49	330-00231	45° ADAPTOR 1/2" PIPE X JIC #8 MALE	6	
52	330-00036	STRAIGHT ADAPTOR SAE #10 MALE X JIC #8 MALE	10	
58	330-00773	JIC #8 BULKHEAD RUN TEE	1	
61	330-00046	STRAIGHT ADAPTOR SAE #8 MALE X JIC # 8 MALE	6	
65	330-00044	STRAIGHT ADAPTOR SAE #6 MALE X JIC #8 MALE	2	
74	330-00666	LONG STRAIGHT	4	



Cage Unloading System

STD RIGID PIPING & SUPPORT ASSEMBLY WITH DOOR CLOSER

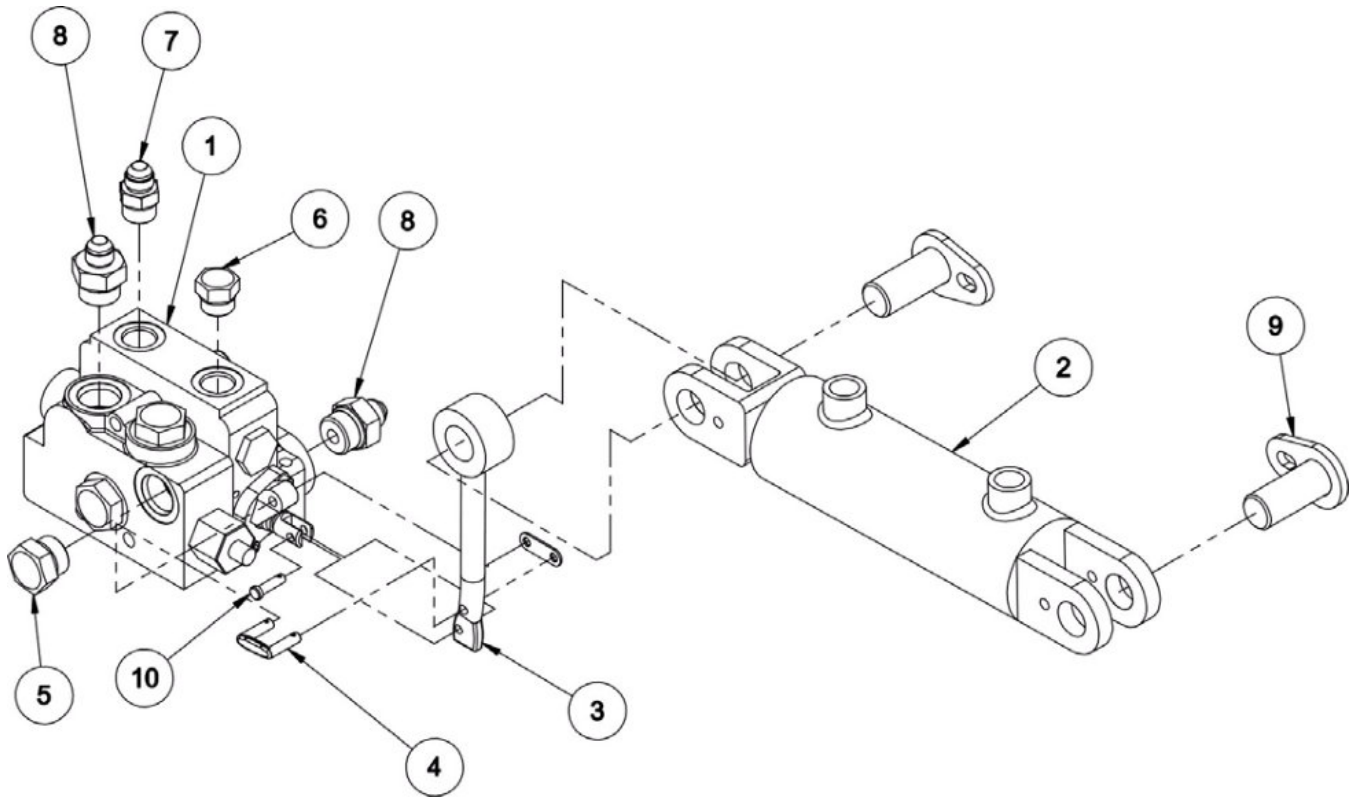


LEFT HAND SIDE SYSTEM WITH 20' CONVEYOR SHOWN



Cage Unloading System

ANTI-SHAKE SYSTEM ASSEMBLY (091-23121)





Cage Unloading System

ANTI-SHAKE SYSTEM ASSEMBLY (091-23121)

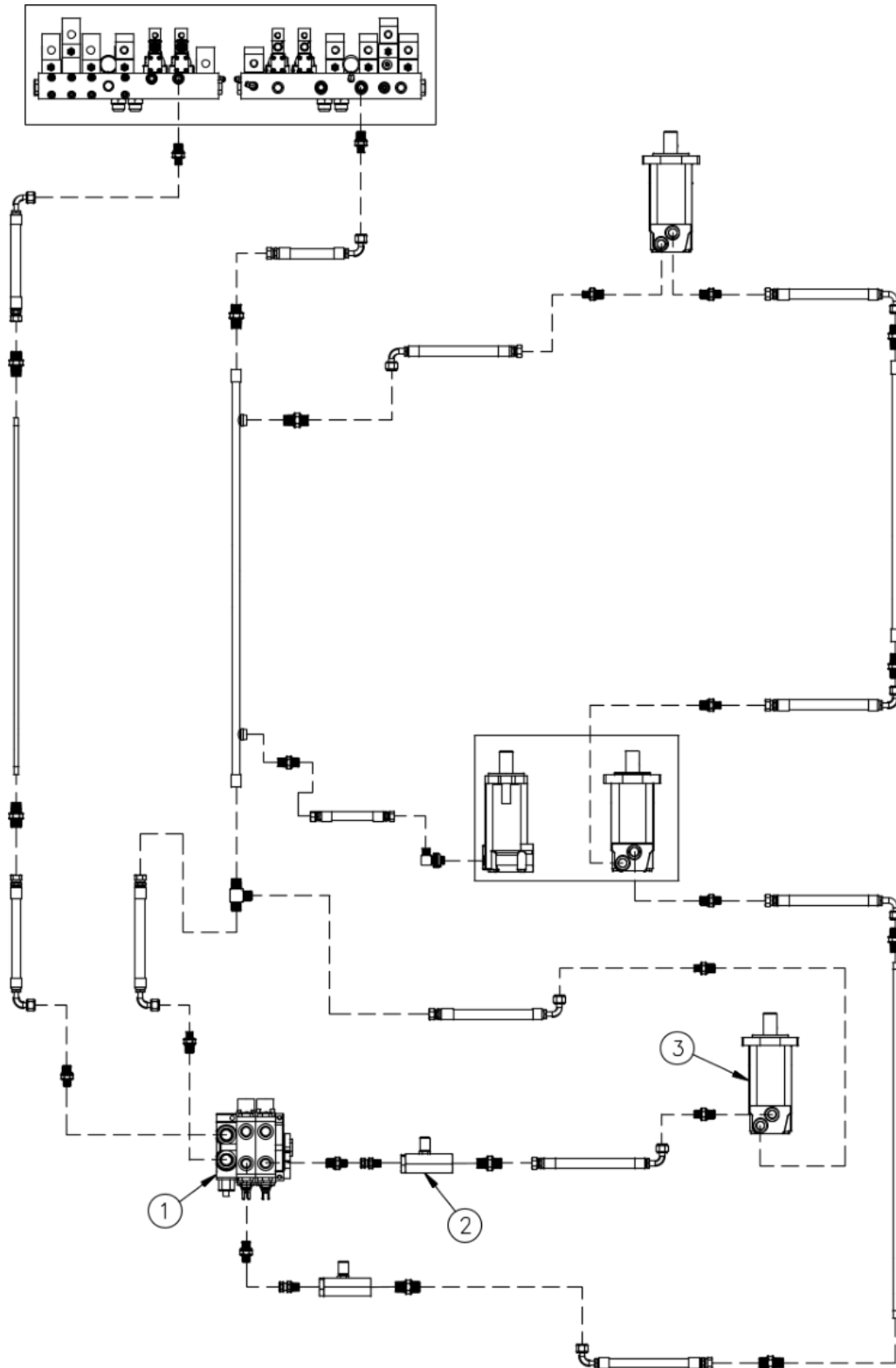
ITEM	PART NUMBER	DESCRIPTION	QTY	MODEL Or SERIAL #
1	810-00085	* ONE SECTION V20 VALVE	1	
2	170-00003	ANTI-SHAKE VALVE CYLINDER	1	
	630-00022	SEAL KIT FOR CYLINDER	1	
3	810-00042	ANTI-SHAKE VALVE LEVER 1		
4	810-00004	CONNECTION LINK	1	
5	330-00049	HEX HEAD PLUG SAE #12	1	
6	330-00048	HEX HEAD PLUG SAE #10	1	
7	330-00036	STRAIGHT ADAPTOR SAE #10 MALE X JIC #8 MALE	1	
8	330-00039	STRAIGHT ADAPTER SAE #12 MALE X JIC #8 MALE	2	
9	097-21514	1" X 2-1/4" LONG PIN WELDMENT	2	
10	210-00847	1/4" X 1" CLEVIS PIN	1	

NOTE: See Page 2 of This Section for Internal Valve Components.



Cage Unloading System

BELT DRIVE CIRCUIT



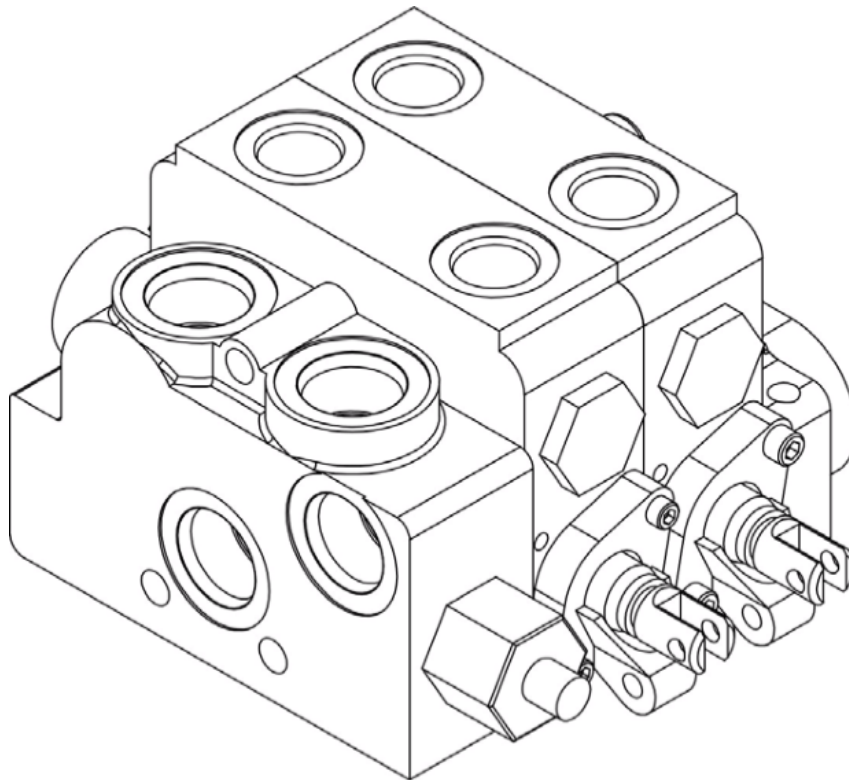


Cage Unloading System

BELT DRIVE CIRCUIT

ITEM	PART NUMBER	DESCRIPTION	QTY	MODEL Or SERIAL #
1	810-00084	* 2 SECTION VALVE		
2	330-00272	PRESSURE COMPENSATED FLOW CONTROL		
3	450-00004	HYDRAULIC MOTOR		
4	810-00135	BOLT KIT FOR 2 SECTION V20 VALVE (NOT SHOWN)		

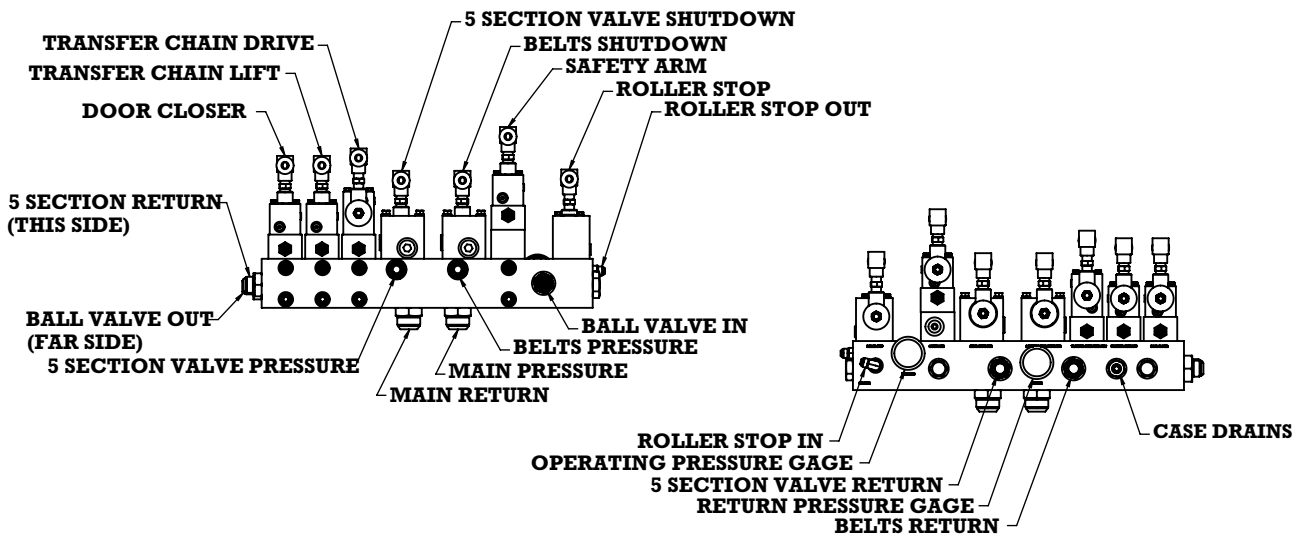
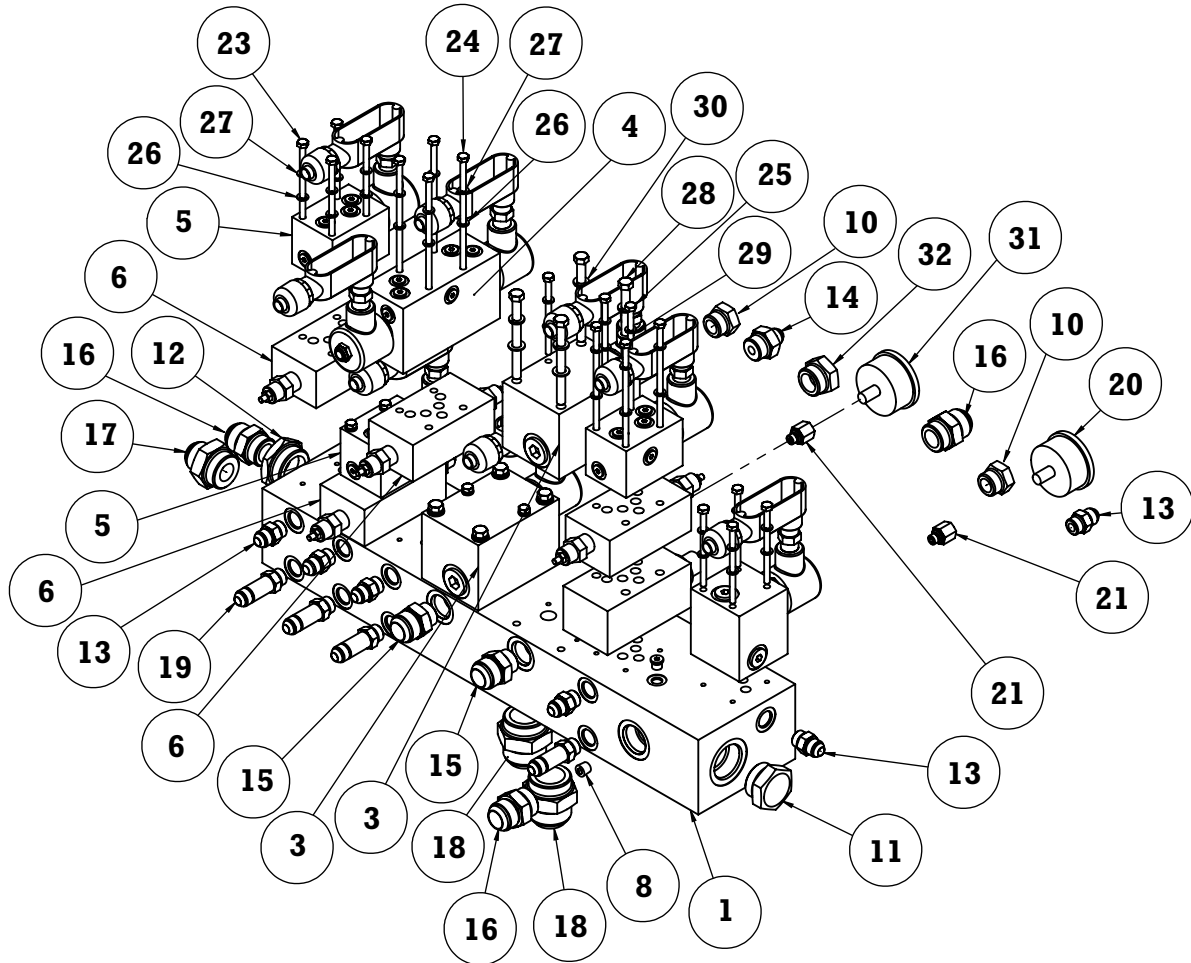
NOTE: See Page 2 of This Section for Internal Valve Components.



2 SECTION VALVE (810-00084)

Cage Unloading System

**STANDARD MANIFOLD ASSEMBLY WITH EXPLOSION PROOF VALVES
(2017 AND LATER) (091-23130)**





Cage Unloading System

STANDARD MANIFOLD ASSEMBLY WITH EXPLOSION PROOF VALVES (2017 AND LATER) (091-23130)

ITEM	QTY	PART NUMBER	DESCRIPTION
1	1	091-24369	STD UNLOADING SYS. MANIFOLD FOR ISOLATOR BALL VALVE AND EXPLOSION PROOF VALVES
2	1	091-23134	VALVE & BLOCK ASSEMBLY (OUTGOING ROLLER STOP)
3	2	091-23133	VALVE & BLOCK ASSEMBLY (SHUTDOWN VALVE (5 SECTION / BELTS)
4	1	091-23132	VALVE & BLOCK ASSEMBLY (TRANSFER CHAIN FORWARD / REVERSE)
5	3	091-23131	VALVE & BLOCK ASSEMBLY (DOOR CLOSER; TRANSFER CHAIN LIFT; SAFETY ARM)
6	4	810-00192	VICKERS FLOW CONTROL VALVE DGMFN-5-Y-A2W-B2W-30
7	1	810-00227	VICKERS PRESSURE REDUCING VALVE DGMX2-5-PP-AW-S-30
8	1	091-20665	1/32" ORIFICE FOR MANIFOLD
9	1	330-00669-1	SAE# 4 HOLLOW HEX PLUG FF2138-04
10	2	330-00049	HEX HEAD PLUG SAE #12
11	1	330-00050	HEX HEAD PLUG SAE #20 900598-20
12	1	330-00383	REDUCER - SAE 24-16 (ORB-ORB)
13	6	330-00046	STRAIGHT ADAPTOR SAE #8 MALE X JIC #8 MALE 6400-08
14	1	330-00039	STRAIGHT ADAPTER SAE #12 MALE X JIC #8 MALE 202702-12-8
15	2	330-00038	STRAIGHT ADAPTOR SAE #12 MALE X JIC #16 MALE
16	3	330-00237	STRAIGHT ADAPTOR SAE #16 MALE X JIC #16 MALE 6400-16
17	1	330-00810	STRAIGHT THREAD CONNECTOR (20SAE TO 16 JIC) 202702-20-16
18	2	330-00041	STRAIGHT CONNECTOR (24-24)
19	4	330-00666	LONG STRAIGHT CONNECTOR (08-08)
20	1	290-00020	PRESSURE GAUGE 3000 PSI
21	2	330-00811	SAE-ORB MALE TO FEMALE NPT ADAPTER
22	8	210-00051	SCREW CAP HEX HD NC GR 8, 1/4 X 4
23	8	210-00883	SCREW CAP HEX HD NC GR 8, 1/4 X 5
24	4	210-00614	SCREW CAP HEX HD NC GR 8, 1/4 X 6
25	4	210-00884	SCREW CAP HEX HD NC GR 8, 1/4 X 7 1/2
26	24	210-00705	1/4" FLATWASHER HARDENED 1/4
27	24	210-00461	LOCKWASHER 1/4
28	8	210-00888	SCREW CAP HEX HD NC GR 8 3/8 X 4-1/4
29	8	210-00300	3/8" FLATWASHER HARDENED 3/8
30	8	210-00284	3/8 LOCKWASHER 3/8
31	1	290-00020-01	PRESSURE GAUGE 300 PSI
32	1	330-00049.1	HEX HEAD PLUG SAE #16



Cage Unloading System



Cage Unloading System

Section 11

Safety Fencing & Placards

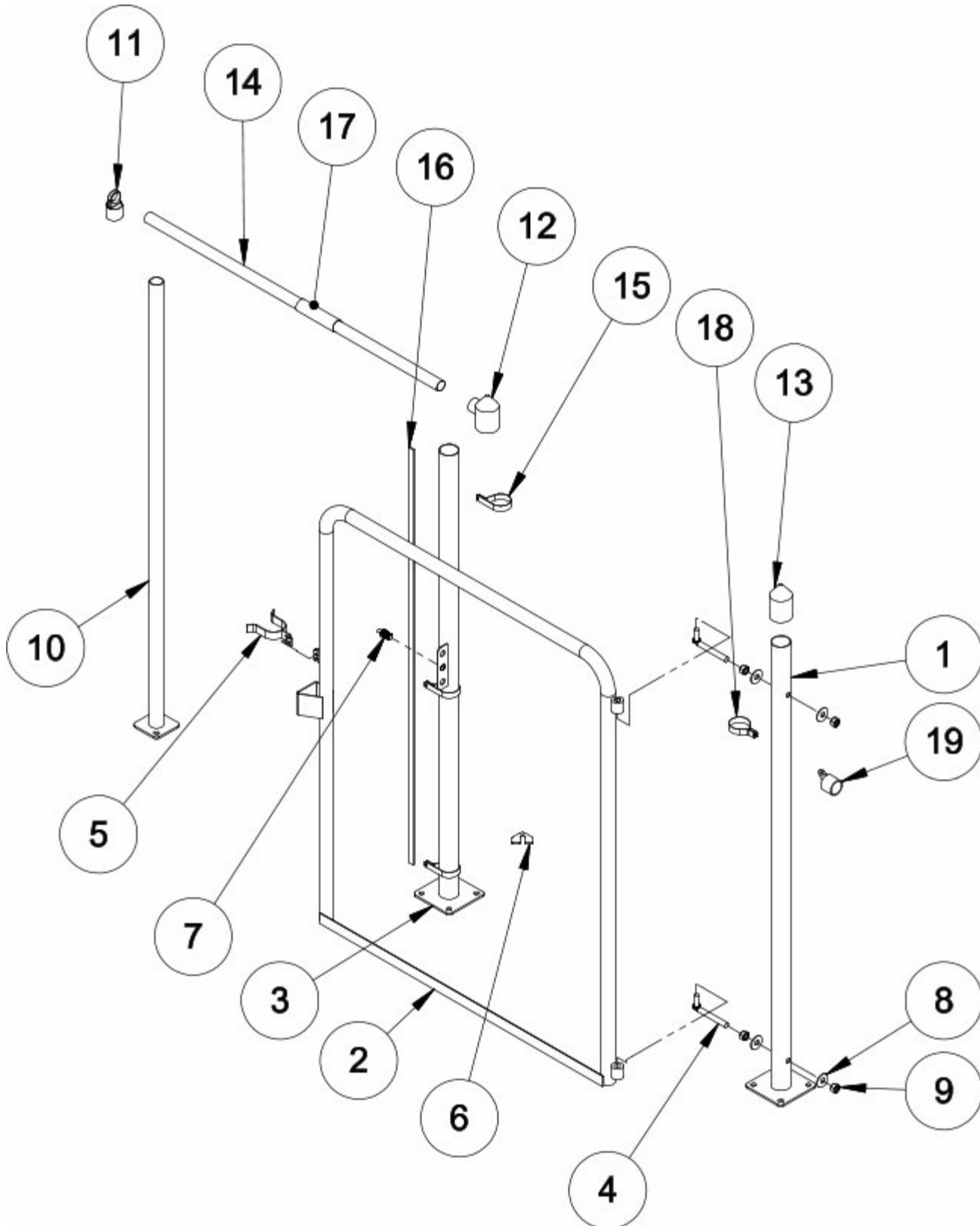
Contents

Safety Fencing	2
Safety Placards	4
Safety Placards	6



Cage Unloading System

SAFETY FENCING





Cage Unloading System

SAFETY FENCING

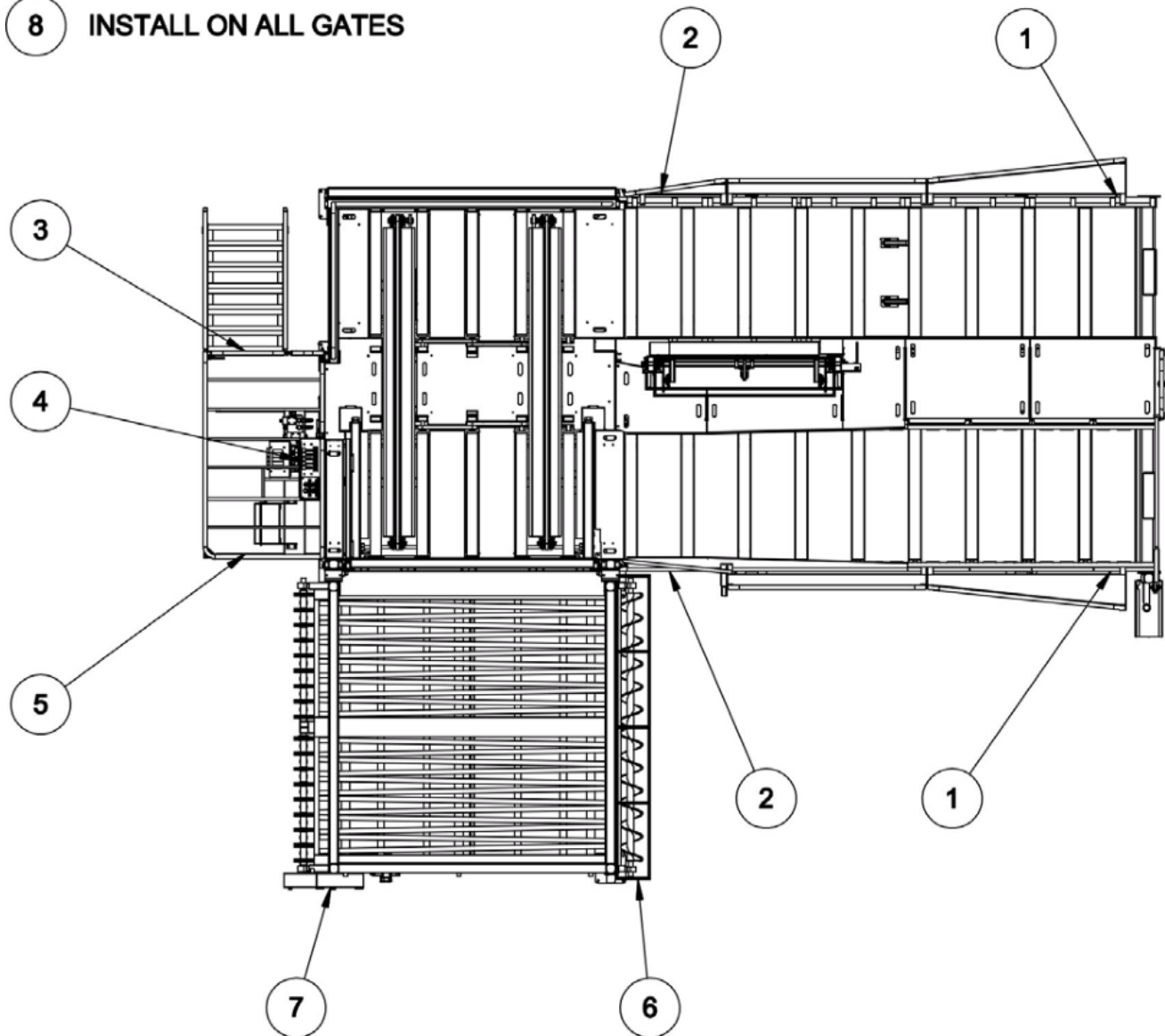
ITEM	PART NUMBER	DESCRIPTION	QTY	MODEL Or SERIAL #
1	091-21821	GATE POST FOR HINGE	1	
2	091-21818	SAFETY GATE (4 FT. WIDE)	1	
3	091-21819	GATE POST FOR SENSOR	1	
4	091-20393	GATE HINGE PIN	2	
5	091-20394	GATE LATCH	1	
6	091-20396	POST SHIM	1	
7	091-20352	PROXIMITY SENSOR 18MM 24V	1	
	091-20352.1	16' PROXY SENSOR CABLE (NOT SHOWN)		
	091-20352.2	33' PROXY SENSOR CABLE (NOT SHOWN)		
	091-20352.3	82' PROXY SENSOR CABLE (NOT SHOWN)		
8	210-00677	FLATWASHER	4	
9	210-00179	NUT HEX FIN NC GRADE 5	4	
10	091-21820	LINE POST ASSEMBLY	1	
11	430-00445	LINE POST TOP	1	
12	430-00442	ONE WAY CAP	1	
13	430-00444	PLAIN CAP	1	
14	430-00439	TOP RAIL	1	
15	430-00440	TENSION BAND	3	
16	430-00438	TENSION BAR	1	
17	430-00447	TOP TAIL SLEEVE	1	
18	430-00441	BRACE BAND	1	
19	430-00446	OFFSET RAIL END	1	
20	430-00443	TWO WAY CAP (NOT SHOWN)	-	
21	091-21853	CORNER POST ASSEMBLY (NOT SHOWN)	-	



Cage Unloading System

SAFETY PLACARDS

8 INSTALL ON ALL GATES



INSTALL ON ALL GUARDS



Cage Unloading System

SAFETY PLACARDS

ITEM	PART NUMBER	DESCRIPTION	QTY	MODEL Or SERIAL #
1	360-00019	CAUTION STAND CLEAR WHILE MACHINE IN OPERATION	2	
2	360-00018	CAUTION DO NOT MAKE ADJUSTMENTS	2	
3	360-00015	CAUTION ONLY 1 PERSON ON CONTROL PLATFORM	1	
4	360-00020	SAFETY FIRST FAILURE TO READ AND UNDERSTAND	1	
5	360-00024	DANGER IT IS THE OPERATOR'S RESPONSIBILITY	1	
6	360-00023	WARNING THIS BELT CAN TRAP AND INJURE FINGERS	1	
7	360-00016	CAUTION DO NOT ATTEMPT TO REMOVE GUARDS	AS REQ'D	
8	360-00017	DANGER DO NOT ENTER WHILE MACHINE IS IN OPERATION	3	

NOTE: SEE SIGNS NEXT PAGE.



Cage Unloading System

SAFETY PLACARDS



360-00015



360-00016



360-00017



360-00018



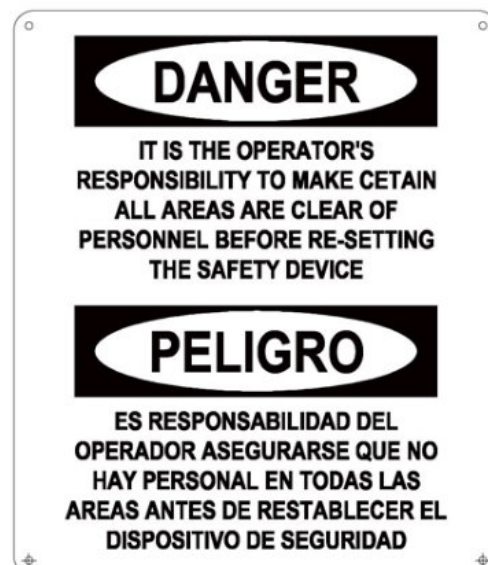
360-00019



360-00020



360-00023



360-00024



Cage Unloading System

SAFETY PLACARDS

ITEM	PART NUMBER	DESCRIPTION	QTY	MODEL Or SERIAL #
	360-00015	CAUTION ONLY 1 PERSON ON CONTROL PLATFORM	1	
	360-00016	CAUTION DO NOT ATTEMPT TO REMOVE GUARDS	AS REQ'D	
	360-00017	DANGER DO NOT ENTER WHILE MACHINE IS IN OPERATION	3	
	360-00018	CAUTION DO NOT MAKE ADJUSTMENTS	2	
	360-00019	CAUTION STAND CLEAR WHILE MACHINE IN OPERATION	2	
	360-00020	SAFETY FIRST FAILURE TO READ AND UNDERSTAND	1	
	360-00023	WARNING THIS BELT CAN TRAP AND INJURE FINGERS	1	
	360-00024	DANGER IT IS THE OPERATOR'S RESPONSIBILITY	1	



Cage Unloading System



Cage Unloading System

Section 12

Hydraulic Power Unit

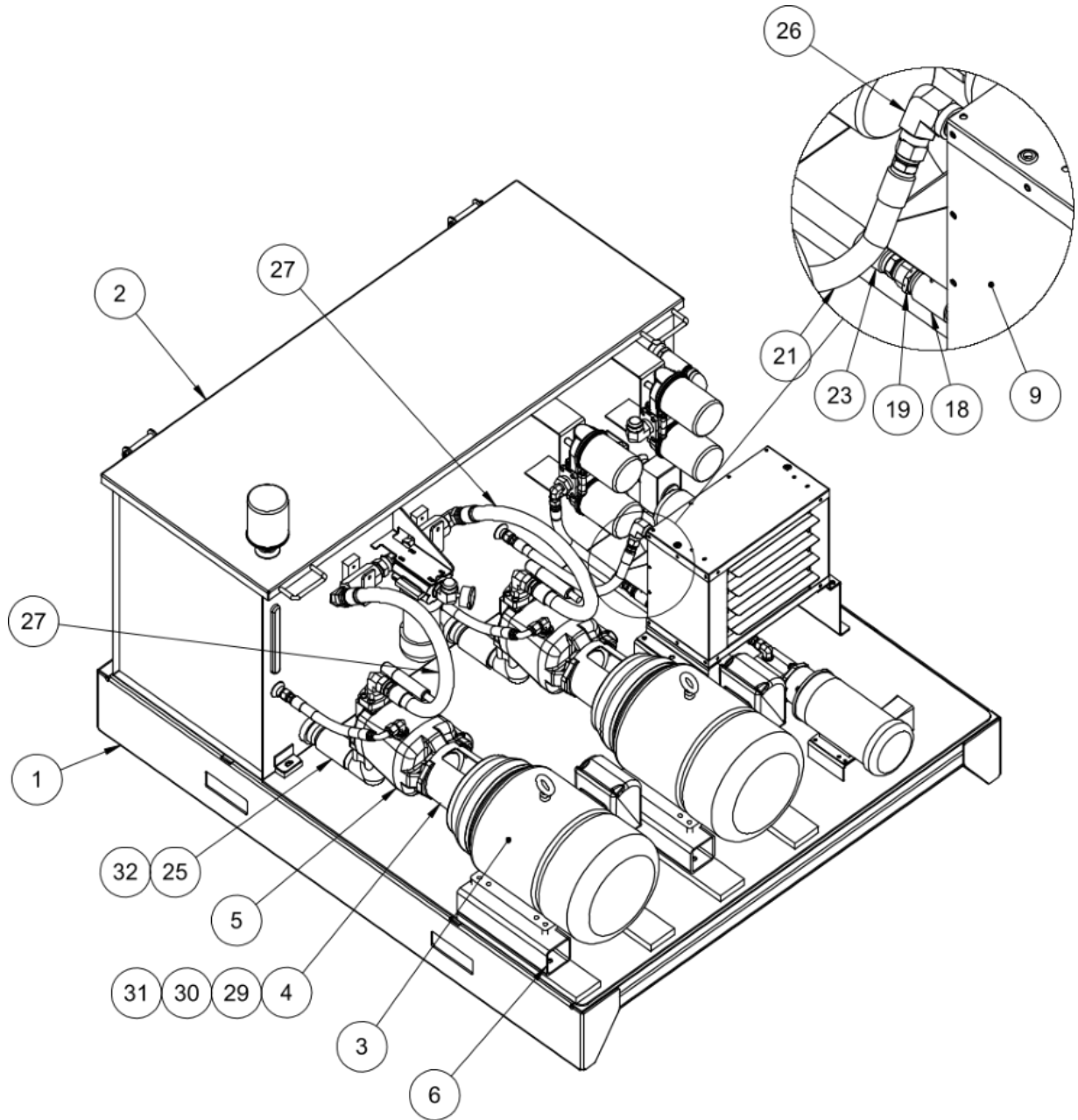
Contents

Hydraulic Power Unit	2
Hydraulic Power Unit	4
Hydraulic Tank	6
12 GPM Kidney Loop Detail	8



Cage Unloading System

HYDRAULIC POWER UNIT (091-22001B)
WITH 30 HP MOTOR





Cage Unloading System

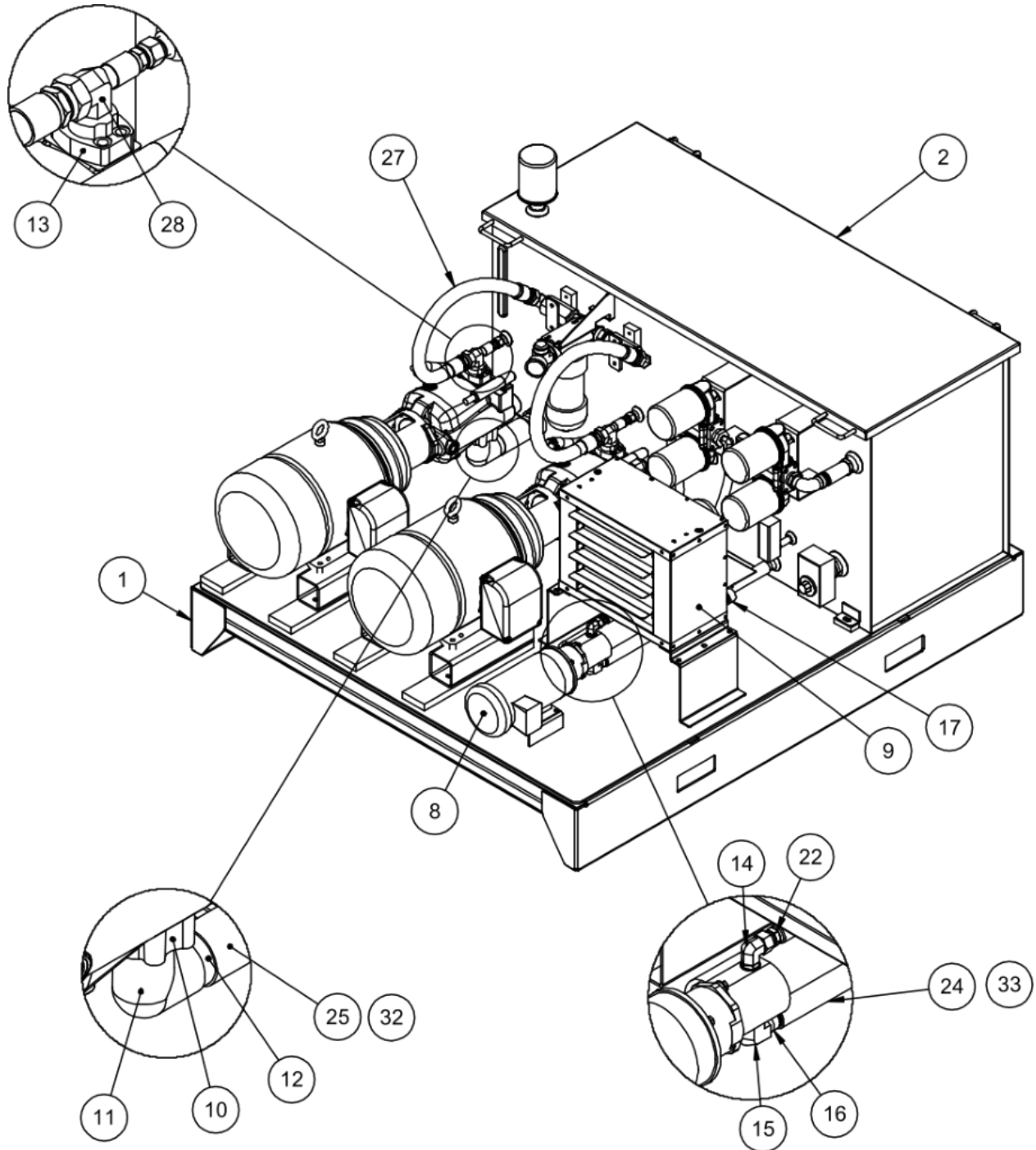
HYDRAULIC POWER UNIT (091-22001B) WITH 30 HP MOTOR

ITEM	PART NUMBER	DESCRIPTION	QTY	MODEL Or SERIAL #
1	091-22100	POWER UNIT BASE WELDMENT	1	
2	091-22200B	HYDRAULIC TANK ASSEMBLY	1	
3	450-00028	BALDOR 30 HP HIGH EFFICIENCY (286TC FRAME)	2	
4	450-00040	MAGNALOY COUPLING HOUSING (M284682C)	2	
5	530-00026	PRESSURE COMPENSATED 60 GPM PUMP (PVM-131 "C" FLANGE)	2	
6	091-20183R	MOUNTING SPACER FOR (30 HP MOTOR) (RHS)	2	
9	310-00001	OIL COOLER	1	
18	510-00036	COUPLING STEEL STD. PIPE	1	
19	330-00011	MALE CONNECTOR (1" NPT 12 JIC)	1	
21	091-20191	RETURN HOSE 3/4" (OIL COOLER TO HYDRAULIC TANK)	1	
23	091-20193	RETURN HOSE 3/4" (FILTER TO COOLER)	1	
25	330-00576	SUCTION HOSE 2-3/4" ID X 4-3/4" LG	2	
26	330-00378	FEMALE ELBOW (1" NPT FEMALE 12 JIC MALE)	1	
27	091-20992	PRESSURE HOSE 1-1/4" (PUMP TO PRESSURE FILTER)	2	
29	150-00003	COUPLING HALF MOTOR SIDE (1-7/8" HUB) (30 HP)	2	
30	150-00004	COUPLING INSERT (30 HP)	2	
31	150-00043	COUPLING HALF PUMP SIDE (1-1/2")	2	
32	370-00023	T-BOLT CLAMP	4	



Cage Unloading System

HYDRAULIC POWER UNIT (091-22001B)
WITH 30 HP MOTOR





Cage Unloading System

HYDRAULIC POWER UNIT (091-22001B) WITH 30 HP MOTOR

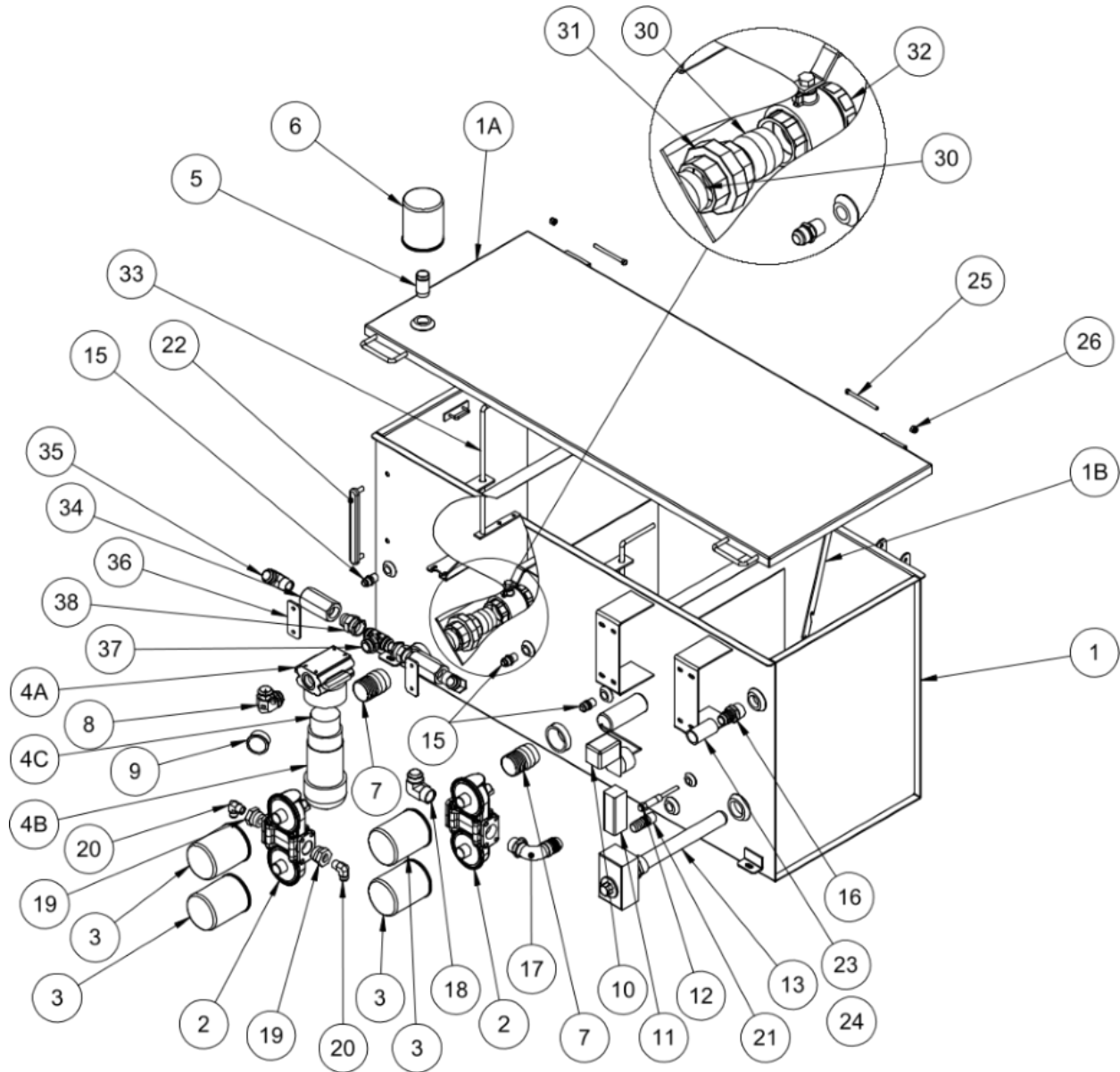
ITEM	PART NUMBER	DESCRIPTION	QTY	MODEL Or SERIAL #
1	091-22100	PUMPINTG UNIT BASE WELDMENT	1	
2	091-22200B	HYDRAULIC TANK ASSEMBLY	1	
8	530-00038	PUMPING UNIT FOR KIDNEY LOOP(*NOTE BELOW)	1	
9	310-00001	OIL COOLER	1	
10	150-00018	FLANGE, 4 BOLT 2-1/2" (SUCTION PORT) FOR 131 & 141 PUMPS	2	
11	510-00058	ELBOW STREET	2	
12	510-00192	SPECIAL HOSE BARB 4" LG (2-1/2" NPT -2-3/4" BARB)	2	
13	150-00019	FLANGE, 4 BOLT 1-1/4" (PRESSURE PORT) FOR 131 &141 PUMPS	2	
14	330-00106	STRAIGHT THREAD ELBOW (10 ORB - 12 JIC)	3	
15	330-00753	FEMALE PIPE ELBOW (16 ORB -1" NPT)	1	
16	330-00746	HOSE BARB ADAPTER (1" NPT - 1-1-4 BARB)	1	
17	510-00027	THREADED CAP 1" NPT (3000 PSI)	1	
20	091-20190	DRAIN HOSE 3/4" (PUMP DRAIN TO HYDRAULIC TANK)	2	
22	091-20192	RETURN HOSE 3/4" (KIDNEY LOOP PUMP TO FILTER)	1	
24	330-00303	SUCTION HOSE 1-1/4" ID X 29-1/2" LONG	1	
27	091-20992	PRESSURE HOSE 1-1/4" (PUMP TO PRESSURE FILTER)	2	
28	330-00088	MALE ELBOW (1-1/4" NPT - 20 JIC)	2	
33	330-00324	T-BOLT CLAMP	2	

* See Section 12-8, 12 GPM Kidney Loop Detail for Replacement Parts.



Cage Unloading System

HYDRAULIC TANK ASSEMBLY (091-22200B)





Cage Unloading System

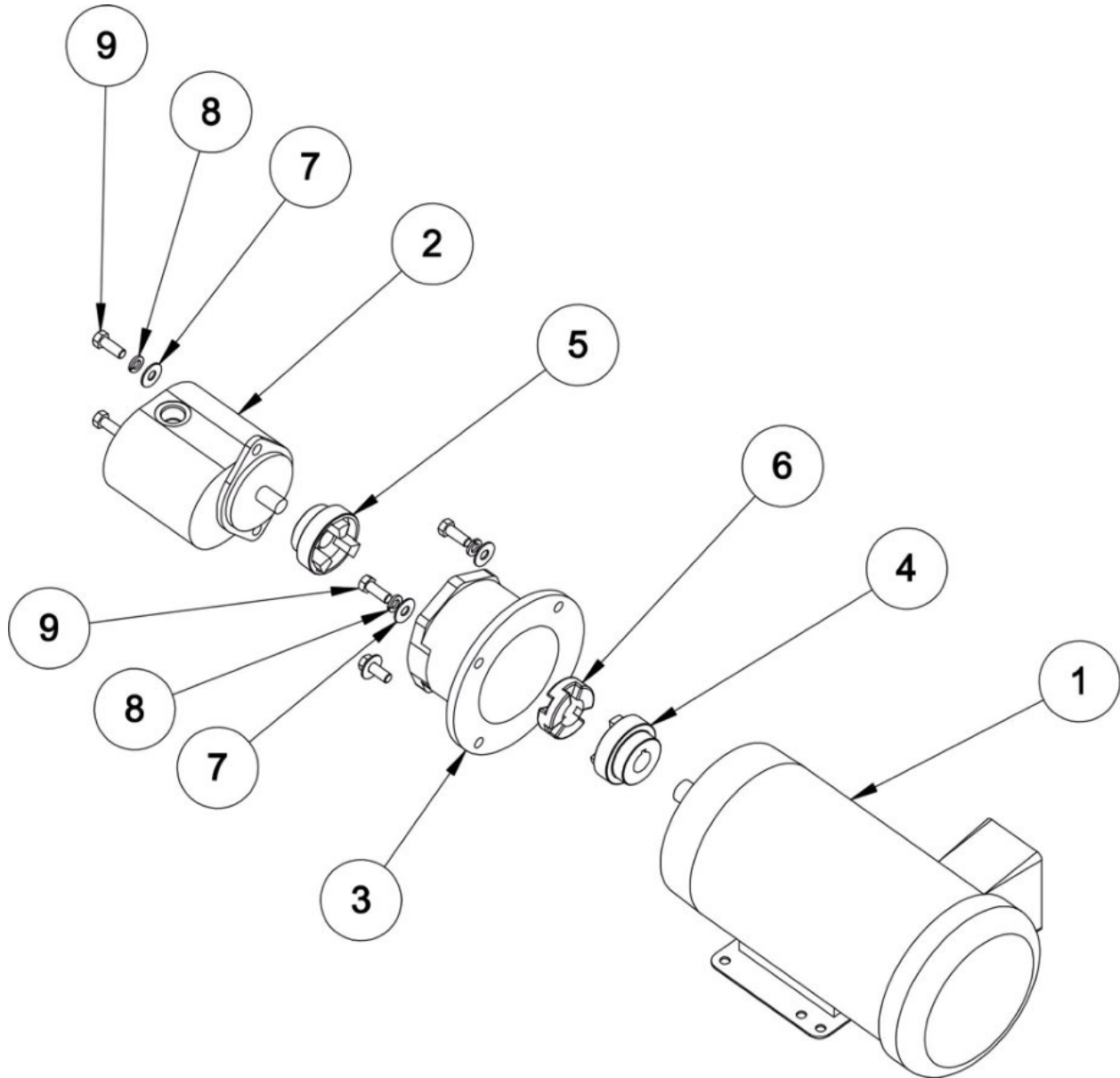
HYDRAULIC TANK ASSEMBLY (091-22200B)

ITEM	PART NUMBER	DESCRIPTION	QTY	MODEL Or SERIAL #
1	091-22210B	HYDRAULIC TANK WELDMENT (INCLUDE ITEMS 1A & 1B)	1	
1A	091-20168	HYDRAULIC TANK LID	REF	
1B	091-20175	HYDRAULIC TANK LATCH	REF	
2	230-00022	RETURN FILTER HEAD	2	
3	230-00060	RETURN FILTER WITH GLASS MEDIA	4	
4A	230-00017	PRESSURE FILTER HEAD (3000 PSI)	1	
4B	230-00015	PRESSURE FILTER CANISTER	1	
4C	230-00059	PRESSURE FILTER ELEMENT	1	
5	330-00750	TANK BREATHER ADAPTER	1	
6	230-00020	TANK BREATHER WITH PAPER MEDIA	1	
7	510-00192	SPECIAL HOSE BARB 4" LG (2-1/2 NPT - 2-3/4 BARB)	2	
8	091-20180	FITTING WITH TEST PORT	1	
9	290-00020	PRESSURE GAUGE 3000 PSI	1	
10	190-00070	LIQUID LEVEL FLOAT SWITCH	1	
11	190-00211A1	TEMP. CONTROLLER FOR OIL COOLER FAN	1	
12	190-00211A2	CLIP-ON COPPER WELL 1/2 NPT	1	
13	190-00066	OIL HEATER	1	
15	330-00008	MALE CONNECTOR (3/4 NPT - 12 JIC)	3	
16	330-00748	STRAIGHT HOSE BARB ADAPTER (1-1/2" NPT - 1-1/2 BARB)	1	
17	330-00747	90° HOSE BARB ADAPTER (1-1/2" NPT - 1-1/2" BARB)	1	
18	330-00089	MALE ELBOW (1-1/2" NPT - 24 JIC)	1	
19	510-00233	1-1/2" TO 3/4" BUSHING	2	
20	330-00085	MALE ELBOW (3/4"NPT - 12JIC)	2	
21	330-00746	HOSE BARB ADAPTER (1" NPT - 1-1/4 BARB)	1	
22	290-00019	SIGHT GAUGE (HYD.)	1	
23	330-00293	RETURN HOSE 1-1/2" ID X 3-1/2" LG	1	
24	370-00021	T-BOLT CLAMP	2	
25	REF	SCREW CAP HEX HD NC GR 5	2	
26	REF	NUT ESNA 3/8"	2	
30	510-00059	NIPPLE CLOSE	4	
31	510-00162	2-1/2" NPT STEEL UNION	2	
32	810-00232	2-1/2" NPT BRASS BALL VALVE	2	
33	091-22212	BALL VALVE REMOTE HANDLE	2	
34	810-00072	CHECK VALVE 1-1/4" NPT	2	
35	330-00088	MALE ELBOW (1-1/4" NPT - 20 JIC)	2	
36	091-20994	CHECK VALVE HOLDER	2	
37	330-00749	STRAIGHT THREAD BRANCH TEE (20ORB - 20JIC - 20JIC)	1	
38	330-00785	SWIVEL CONNECTOR 20 NPT-20JIC(F)	2	



Cage Unloading System

12 GPM KIDNEY LOOP (530-00038)





Cage Unloading System

12 GPM KIDNEY LOOP (530-00038)

ITEM	PART NUMBER	DESCRIPTION	QTY	MODEL Or SERIAL #
1	010-00190	1 HP BALDOR MOTOR	1	
2	530-00038.4	GEAR PUMP 12 GPM	1	
3	530-00034.5	MAGNALOY COUPLING MO56352A	1	
4	530-00034.1	MAGNALOY 7/8" KW 3/16" HUB	1	
5	530-00038.2	MAGNALOY 3/4" KW 3/16" HUB	1	
6	530-00034.3	MAGNALOY NEOPRENE INSERT (M170N6)	1	
7	REF	FLAT WASHER 3/8"	6	
8	REF	LOCK WASHER 3/8"	6	
9	REF	SCREW CAP HEX HD NC GR5, 3/8" X 1"	6	



Cage Unloading System
